

**MOS/LSI  
DATABOOK**

---

**NATIONAL  
SEMICONDUCTOR**



**Hamilton**  **Avnet**  
ELECTRONICS  A DIV. OF AVNET, INC.

575 E. MIDDLEFIELD RD./MT. VIEW, CALIF. 94040

**(415) 961-7000**



**Edge Index  
by Product Family**

|   |           |
|---|-----------|
| <b>Clocks</b>                                       | <b>1</b>  |
| <b>Counters/Timers</b>                              | <b>2</b>  |
| <b>Electronic Organ Circuits</b>                    | <b>3</b>  |
| <b>TV Circuits</b>                                  | <b>4</b>  |
| <b>Analog to Digital (A/D) Converters</b>           | <b>5</b>  |
| <b>Communications/CB Radio Circuits</b>             | <b>6</b>  |
| <b>Watches</b>                                      | <b>7</b>  |
| <b>Calculators</b>                                  | <b>8</b>  |
| <b>Controller Oriented Processor Systems (COPS)</b> | <b>9</b>  |
| <b>Keyboard Encoder Circuits</b>                    | <b>10</b> |
| <b>Interface Drivers</b>                            | <b>11</b> |
| <b>Displays</b>                                     | <b>12</b> |
| <b>Clock Modules</b>                                | <b>13</b> |
| <b>Custom MOS/LSI</b>                               | <b>14</b> |



# Table of Contents

|  |   |
|--|---|
| Edge Index by Product Family . . . . . | 1 |
| Alpha-Numerical Index . . . . .        | 6 |

## CLOCKS – SECTION 1

|   |      |
|---|------|
| MM5309 Digital Clock . . . . .  | 1-2  |
| MM5311 Digital Clock . . . . .  | 1-2  |
| MM5312 Digital Clock . . . . .  | 1-2  |
| MM5313 Digital Clock . . . . .  | 1-2  |
| MM5314 Digital Clock . . . . .  | 1-2  |
| MM5315 Digital Clock . . . . .  | 1-2  |
| MM5316 Digital Alarm Clock . . . . .  | 1-9  |
| MM5318 TV Digital Clock . . . . .   | 4-2  |
| MM5370 Digital Alarm Clock . . . . .  | 1-14 |
| MM5371 Digital Alarm Clock . . . . .  | 1-14 |
| MM5375XX Series Clocks . . . . .  | 1-21 |
| MM5376XX Series Clocks . . . . .  | 1-27 |
| MM5377 Auto Clock . . . . .   | 1-33 |
| MM5378 Auto Clock . . . . .   | 1-38 |
| MM5379 Auto Clock . . . . .   | 1-38 |
| MM5382 Digital Calendar Clock Radio Circuit . . . . .                           | 1-43 |
| MM5383 Digital Calendar Clock Radio Circuit . . . . .                           | 1-43 |
| MM5384 LED Display Digital Clock Radio Circuit . . . . .                        | 1-50 |
| MM5385 Digital Alarm Clock . . . . .  | 1-56 |
| MM5386 Digital Alarm Clock . . . . .  | 1-56 |
| MM5387AA Digital Alarm Clock . . . . .  | 1-62 |
| MM5396 Digital Alarm Clock . . . . .  | 1-56 |
| MM5397 Digital Alarm Clock . . . . .  | 1-56 |
| MM5402 Digital Alarm Clock . . . . .  | 1-68 |
| MM5405 Digital Alarm Clock . . . . .  | 1-68 |
| MM53108 Digital Alarm Clock . . . . .   | 1-62 |
| AN-143 Using National Clock Integrated Circuits in Timer Applications . . . . . | 1-74 |

## COUNTERS/TIMERS – SECTION 2

|   |      |
|---|------|
| MM5307 Baud Rate Generator/Programmable Divider . . . . . | 2-2  |
| MM5369 17-Stage Programmable Oscillator/Divider . . . . . | 2-7  |
| MM5865 Universal Timer . . . . .                          | 2-10 |
| MM53107 17-Stage Oscillator/Divider . . . . .             | 2-20 |
| AN-168 MM5865 Universal Timer Applications . . . . .      | 2-23 |
| AN-169 A 4-Digit, 7-Function Stopwatch/Timer . . . . .    | 2-33 |

## ELECTRONIC ORGAN CIRCUITS – SECTION 3

|  |     |
|--|-----|
| MM5554 Frequency Divider . . . . .             | 3-2 |
| MM5555 Chromatic Frequency Generator . . . . . | 3-4 |
| MM5556 Chromatic Frequency Generator . . . . . | 3-4 |
| MM5559 Serial-to-Parallel Converter . . . . .  | 3-6 |
| MM5823 Frequency Divider . . . . .             | 3-8 |
| MM5824 Frequency Divider . . . . .             | 3-8 |

## ELECTRONIC ORGAN CIRCUITS – SECTION 3 (Continued)

|   |      |
|---|------|
| MM5832 Chromatic Frequency Generator . . . . .      | 3-11 |
| MM5833 Chromatic Frequency Generator . . . . .      | 3-11 |
| MM5837 Digital Noise Source . . . . .               | 3-14 |
| MM5871 Rhythm Pattern Generator . . . . .           | 3-16 |
| MM5891 MOS Top Octave Frequency Generator . . . . . | 3-19 |

## TV CIRCUITS – SECTION 4

|   |      |
|---|------|
| LM1889* TV Video Modulator . . . . .                                      | 4-48 |
| MM5318 TV Digital Clock . . . . .   | 4-2  |
| MM5320 TV Camera Sync Generator . . . . .                                 | 4-6  |
| MM5321 TV Camera Sync Generator . . . . .                                 | 4-12 |
| MM5322 Color Bar Generator Chip . . . . .                                 | 4-18 |
| MM5840 TV Channel Number (16 Channels) and Time Display Circuit . . . . . | 4-23 |
| MM5841 TV Channel Number and Time Readout Circuit . . . . .               | 4-28 |
| MM53100 TV Game Circuit . . . . .   | 4-32 |
| MM53104* TV Game Clock Generator . . . . .                                | 4-50 |
| MM53105 Programmable TV Timer . . . . .                                   | 4-32 |
| MM57100* TV Game Circuit . . . . .  | 4-37 |
| MM58106 Digital Clock and TV Display Circuit . . . . .                    | 4-53 |

## ANALOG TO DIGITAL (A/D) CONVERTERS – SECTION 5

|   |      |
|---|------|
| LF13300 Integrating A/D Analog Building Block . . . . . | 5-2  |
| MM5330 4 1/2-Digit Panel Meter Logic Block . . . . .    | 5-23 |
| MM5863 12-Bit Binary A/D Building Block . . . . .       | 5-30 |
| AN-155 Digital Voltmeters and the MM5330 . . . . .      | 5-36 |
| AN-156 Specifying A/D and D/A Converters . . . . .      | 5-44 |

## COMMUNICATIONS/C.B. RADIO CIRCUITS – SECTION 6

|  |      |
|--|------|
| MM5303 Universal Fully Asynchronous Receiver/Transmitter . . . . .     | 6-2  |
| MM5393 Push Button Telephone Dialer . . . . .                          | 6-8  |
| MM5395 TOUCH-TONE® Generator . . . . .                                 | 6-11 |
| MM55104 PLL Frequency Synthesizer . . . . .                            | 6-16 |
| MM55106 PLL Frequency Synthesizer . . . . .                            | 6-16 |
| MM55108 PLL Frequency Synthesizer with Receive/Transmit Mode . . . . . | 6-20 |
| MM55110 PLL Frequency Synthesizer with Receive/Transmit Mode . . . . . | 6-20 |
| MM55114 PLL Frequency Synthesizer . . . . .                            | 6-16 |
| MM55116 PLL Frequency Synthesizer . . . . .                            | 6-16 |

## WATCHES – SECTION 7

|   |      |
|---|------|
| MM5829 LED Watch Circuit . . . . .                                    | 7-2  |
| MM5860 LED Watch Circuit . . . . .                                    | 7-6  |
| MM5879 RC Circuit . . . . .   | 7-12 |
| MM5880 LED Watch Circuit . . . . .                                    | 7-6  |
| MM5885 Direct Drive LED Watch . . . . .                               | 7-13 |
| MM5886 Direct Drive LED Watch . . . . .                               | 7-13 |
| MM5889 RC Circuit . . . . .   | 7-12 |
| MM5890 LCD Chronograph Circuit . . . . .                              | 7-20 |
| MM5899 RC Circuit . . . . .   | 7-12 |
| MM58104 Direct Drive LED Watch . . . . .                              | 7-27 |
| MM58115 Digitally Tuned, Direct Drive, 6-Function LED Watch . . . . . | 7-32 |
| MM58117 LCD Watch Circuit . . . . .                                   | 7-40 |
| MM58118 LCD Watch Circuit . . . . .                                   | 7-40 |
| MM58119 LCD Watch Circuit . . . . .                                   | 7-40 |

\*TV Game Kit #SK1115 includes this circuit

TOUCH-TONE® is a Registered Trademark of Bell Telephone

## WATCHES – SECTION 7 (Continued)

|   |      |
|---|------|
| MM58120 LCD Watch Circuit . . . . .               | 7-40 |
| MM58127 LCD Watch Circuit . . . . .               | 7-47 |
| MM58128 LCD Watch Circuit . . . . .               | 7-47 |
| MM58129 LCD Watch Circuit . . . . .               | 7-47 |
| MM58130 LCD Watch Circuit . . . . .               | 7-47 |
| MM58601 Two Time Zone LED Watch Circuit . . . . . | 7-6  |
| MM58801 Two Time Zone LED Watch Circuit . . . . . | 7-6  |

## CALCULATORS – SECTION 8

|  |       |
|--|-------|
| MM5734 8-Function, Accumulating Memory Calculator . . . . .  | 8-2   |
| MM5737 8-Digit, 4-Function, Floating Decimal Point Calculator . . . . .                            | 8-8   |
| MM5758 Scientific Calculator . . . . .   | 8-14  |
| MM5760 Slide Rule Calculator . . . . .   | 8-26  |
| MM5762 Financial Calculator . . . . .  | 8-35  |
| MM5763 Statistical Calculator . . . . .  | 8-46  |
| MM5764 Conversion Calculator . . . . .   | 8-56  |
| MM5765 Calculator Programmer . . . . .   | 8-66  |
| MM5766 Calculator Programmer . . . . .   | 8-76  |
| MM5767 Slide Rule Calculator . . . . .   | 8-80  |
| MM5777 6-Digit, 4-Function, Floating Decimal Point Calculator . . . . .                            | 8-84  |
| MM5780 Educational Toy Calculator . . . . .  | 8-90  |
| MM5791 7-Function, Accumulating Memory Calculator . . . . .  | 8-96  |
| MM5794 7-Function, Accumulating Memory, Vacuum Fluorescent Display Calculator . . . . .            | 8-105 |
| MM5795 7-Function, Accumulating Memory, Vacuum Fluorescent Display Calculator . . . . .            | 8-114 |
| MM57103 Scientific Calculator Circuit . . . . .  | 8-123 |
| MM57104 Scientific Calculator Circuit . . . . .  | 8-132 |
| MM57123 Financial Calculator . . . . .   | 8-141 |
| MM57135 Scientific Calculator ROM . . . . .  | 8-153 |
| MM57136 RPN Scientific Calculator Control ROM . . . . .  | 8-157 |
| AN-112 Calculator Chip Makes a Counter . . . . .   | 8-163 |
| AN-119 Calculator Learns to Keep Time . . . . .  | 8-169 |
| AN-149 Handheld Calculator Battery Systems . . . . .   | 8-177 |
| AN-176 Using Standard National Calculators in Industrial and Microprocessor Applications . . . . . | 8-181 |

## CONTROLLER ORIENTED PROCESSOR SYSTEMS (COPS) – SECTION 9

|  |      |
|--|------|
| National's Controller Oriented Processor Systems . . . . . | 9-2  |
| MM5781 Controller Oriented Processor System . . . . .      | 9-3  |
| MM5782 Controller Oriented Processor System . . . . .      | 9-3  |
| MM5785 RAM Interface Chip . . . . .                        | 9-15 |
| MM5788 Printer Interface Chip . . . . .                    | 9-21 |
| MM5799 Controller Oriented Processor . . . . .             | 9-27 |
| MM57109 Number Processing Unit . . . . .                   | 9-39 |
| MM57126 COPS Memory . . . . .                              | 9-40 |
| MM57140 Controller Oriented Processor . . . . .            | 9-46 |

## KEYBOARD ENCODER CIRCUITS – SECTION 10

|  |       |
|--|-------|
| MM5740 90-Key Keyboard Encoder . . . . .                                       | 10-2  |
| MM5745 78-Key Keyboard Encoder . . . . .                                       | 10-10 |
| MM5746 78-Key Keyboard Encoder . . . . .                                       | 10-10 |
| MM54C922/MM74C922 16-Key Encoder . . . . .                                     | 10-16 |
| MM54C923/MM74C923 20-Key Encoder . . . . .                                     | 10-16 |
| AN-128 Microprocessor Mates with MOS/LSI Keyboard Encoder . . . . .            | 10-21 |
| AN-139 MOS Encoder Plus PROM Yield Quick Turnaround Keyboard Systems . . . . . | 10-27 |

## INTERFACE DRIVERS – SECTION 11

|  |       |
|--|-------|
| Display Driver Selection Guide . . . . .                                   | 11-2  |
| CD4511BM/CD4511BC BCD-to-7-Segment Latch/Decoder/Driver . . . . .          | 11-4  |
| DS7664/DS8664 14-Digit Decoder/Driver with Low Battery Indicator . . . . . | 11-9  |
| DS8665 14-Digit Decoder/Driver (Hi-Drive) . . . . .                        | 11-12 |
| DS8666 14-Digit Decoder/Driver (P.O.S.) . . . . .                          | 11-15 |
| DS8692 Printing Calculator Interface Set. . . . .                          | 11-18 |
| DS8693 Printing Calculator Interface Set. . . . .                          | 11-18 |
| DS8694 Printing Calculator Interface Set. . . . .                          | 11-18 |
| DS8867 8-Segment Driver. . . . .   | 11-25 |
| DS8868 12-Digit Decoder/Driver . . . . .                                   | 11-27 |
| DS8871 Saturating LED Cathode Driver . . . . .                             | 11-29 |
| DS8872 Saturating LED Cathode Driver . . . . .                             | 11-29 |
| DS8873 Saturating LED Cathode Driver . . . . .                             | 11-29 |
| DS8874 9-Digit Shift Input LED Driver. . . . .                             | 11-31 |
| DS8877 6-Digit LED Driver. . . . .   | 11-33 |
| DS8892 Programmable Hex LED Digit Driver . . . . .                         | 11-35 |
| DS8977 Saturating LED Cathode Driver . . . . .                             | 11-29 |
| DS75491 MOS-to-LED Quad Segment Driver . . . . .                           | 11-37 |
| DS75492 MOS-to-LED Hex Digit Driver . . . . .                              | 11-37 |
| DS75493 Quad LED Segment Driver. . . . .                                   | 11-40 |
| MM54C48/MM74C48 BCD-to-7-Segment Decoder. . . . .                          | 11-42 |
| MM54C915/MM74C915 7-Segment-to-BCD Converter . . . . .                     | 11-46 |

## DISPLAYS – SECTION 12

|   |       |
|---|-------|
| NSA 1100 Series 0.100 Inch 9-Digit LED Display . . . . .                | 12-2  |
| NSA 1298 0.110 Inch 9-Digit LED Display . . . . .                       | 12-6  |
| NSA 5120 1/8 Inch 12-Digit LED Display . . . . .                        | 12-8  |
| NSA 5140 1/8 Inch 14-Digit LED Display . . . . .                        | 12-10 |
| NSB 5917 0.5 Inch 5-Digit Numeric Display. . . . .                      | 12-12 |
| NSB 5921 0.5 Inch 5-Digit Numeric Display. . . . .                      | 12-12 |
| NSB 5922 0.5 Inch 5-Digit Numeric Display. . . . .                      | 12-12 |
| Multi-Digit LED Numeric Series . . . . .                                | 12-14 |
| AN-170 Mounting Techniques for Multidigit LED Numeric Display . . . . . | 12-22 |

## CLOCK MODULES – SECTION 13

|  |       |
|--|-------|
| MA1002 LED Display Digital Electronic Clock Module . . . . .           | 13-2  |
| MA1003 12 V <sub>DC</sub> Automotive/Instrument Clock Module . . . . . | 13-8  |
| MA1010 LED Display Digital Electronic Clock Module . . . . .           | 13-11 |
| MA1012 LED Display Digital Electronic Clock Module . . . . .           | 13-17 |
| MA1013 LED Display Digital Electronic Clock Module . . . . .           | 13-23 |

## CUSTOM MOS/LSI – SECTION 14

|                                  |      |
|----------------------------------|------|
| Custom MOS at National . . . . . | 14-2 |
|----------------------------------|------|

## ORDERING INFORMATION/PHYSICAL DIMENSIONS

|                                |     |
|--------------------------------|-----|
| Ordering Information . . . . . | A-1 |
| Physical Dimensions. . . . .   | A-2 |
| Definition of Terms . . . . .  | A-8 |

Manufactured under one or more of the following U.S. patents: 3083262, 3189758, 3231797, 3303356, 3317671, 3323071, 3381071, 3408542, 3421025, 3426423, 3440498, 3518750, 3519897, 3557431, 3560765, 356218, 3571630, 3579609, 3579609, 3593069, 3597640, 3607469, 3617859, 3631312, 3633062, 3638131, 3648071, 3651565, 3693248.

National does not assume any responsibility for use of any circuitry described; no circuit patent licenses are implied; and National reserves the right, at any time without notice, to change said circuitry.



# Alpha-Numerical Index

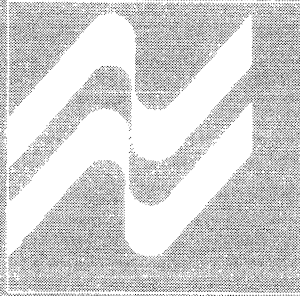
|  |       |
|--|-------|
| CD4511BC BCD-to-7-Segment Latch/Decoder/Driver               | 11-4  |
| CD4511BM BCD-to-7-Segment Latch/Decoder/Driver               | 11-4  |
| DS7664 14-Digit Decoder/Driver with Low Battery Indicator    | 11-9  |
| DS8664 14-Digit Decoder/Driver with Low Battery Indicator    | 11-9  |
| DS8665 14-Digit Decoder/Driver (Hi-Drive)                    | 11-12 |
| DS8666 14-Digit Decoder/Driver (P.O.S.)                      | 11-15 |
| DS8692 Printing Calculator Interface Set                     | 11-18 |
| DS8693 Printing Calculator Interface Set                     | 11-18 |
| DS8694 Printing Calculator Interface Set                     | 11-18 |
| DS8867 8-Segment Driver                                      | 11-25 |
| DS8868 12-Digit Decoder/Driver                               | 11-27 |
| DS8871 Saturating LED Cathode Driver                         | 11-29 |
| DS8872 Saturating LED Cathode Driver                         | 11-29 |
| DS8873 Saturating LED Cathode Driver                         | 11-29 |
| DS8874 9-Digit Shift Input LED Driver                        | 11-31 |
| DS8877 6-Digit LED Driver                                    | 11-33 |
| DS8892 Programmable Hex LED Digit Driver                     | 11-35 |
| DS8977 Saturating LED Cathode Driver                         | 11-29 |
| DS75491 MOS-to-LED Quad Segment Driver                       | 11-37 |
| DS75492 MOS-to-LED Hex Digit Driver                          | 11-37 |
| DS75493 Quad LED Segment Driver                              | 11-40 |
| LF13300 Integrating A/D Analog Building Block                | 5-2   |
| LM1889 TV Video Modulator                                    | 4-48  |
| MA1002 LED Display Digital Electronic Clock Module           | 13-2  |
| MA1003 12 V <sub>DC</sub> Automotive/Instrument Clock Module | 13-8  |
| MA1010 LED Display Digital Electronic Clock Module           | 13-11 |
| MA1012 LED Display Digital Electronic Clock Module           | 13-17 |
| MA1013 LED Display Digital Electronic Clock Module           | 13-23 |
| MM5303 Universal Fully Asynchronous Receiver/Transmitter     | 6-2   |
| MM5307 Baud Rate Generator/Programmable Divider              | 2-2   |
| MM5309 Digital Clock   | 1-2   |
| MM5311 Digital Clock   | 1-2   |
| MM5312 Digital Clock   | 1-2   |
| MM5313 Digital Clock   | 1-2   |
| MM5314 Digital Clock   | 1-2   |
| MM5315 Digital Clock   | 1-2   |
| MM5316 Digital Alarm Clock                                   | 1-9   |
| MM5318 TV Digital Clock                                      | 4-2   |
| MM5320 TV Camera Sync Generator                              | 4-6   |
| MM5321 TV Camera Sync Generator                              | 4-12  |
| MM5322 Color Bar Generator Chip                              | 4-18  |
| MM5330 4 1/2-Digit Panel Meter Logic Block                   | 5-23  |
| MM5369 17-Stage Programmable Oscillator/Divider              | 2-7   |
| MM5370 Digital Alarm Clock                                   | 1-14  |
| MM5371 Digital Alarm Clock                                   | 1-14  |
| MM5375XX Series Clocks                                       | 1-21  |
| MM5376XX Series Clocks                                       | 1-27  |
| MM5377 Auto Clock  | 1-33  |
| MM5378 Auto Clock  | 1-38  |
| MM5379 Auto Clock  | 1-38  |
| MM5382 Digital Calendar Clock Radio Circuit                  | 1-43  |

|  |       |
|--|-------|
| MM5383 Digital Calendar Clock Radio Circuit . . . . .  | 1-43  |
| MM5384 LED Display Digital Clock Radio Circuit. . . . .  | 1-50  |
| MM5385 Digital Alarm Clock . . . . .   | 1-56  |
| MM5386 Digital Alarm Clock . . . . .   | 1-56  |
| MM5387AA Digital Alarm Clock . . . . .   | 1-62  |
| MM5393 Push Button Telephone Dialer. . . . .   | 6-8   |
| MM5395 TOUCH-TONE® Generator . . . . .   | 6-11  |
| MM5396 Digital Alarm Clock . . . . .   | 1-56  |
| MM5397 Digital Alarm Clock . . . . .   | 1-56  |
| MM5402 Digital Alarm Clock . . . . .   | 1-68  |
| MM5405 Digital Alarm Clock . . . . .   | 1-68  |
| MM5554 Frequency Divider . . . . .   | 3-2   |
| MM5555 Chromatic Frequency Generator . . . . .   | 3-4   |
| MM5556 Chromatic Frequency Generator . . . . .   | 3-4   |
| MM5559 Serial-to-Parallel Converter . . . . .  | 3-6   |
| MM5734 8-Function, Accumulating Memory Calculator. . . . .                                     | 8-2   |
| MM5737 8-Digit, 4-Function, Floating Decimal Point Calculator . . . . .                        | 8-8   |
| MM5740 90-Key Keyboard Encoder . . . . .   | 10-2  |
| MM5745 78-Key Keyboard Encoder . . . . .   | 10-10 |
| MM5746 78-Key Keyboard Encoder . . . . .   | 10-10 |
| MM5758 Scientific Calculator . . . . .   | 8-14  |
| MM5760 Slide Rule Calculator. . . . .  | 8-26  |
| MM5762 Financial Calculator . . . . .  | 8-35  |
| MM5763 Statistical Calculator . . . . .  | 8-46  |
| MM5764 Conversion Calculator . . . . .   | 8-56  |
| MM5765 Calculator Programmer . . . . .   | 8-66  |
| MM5766 Calculator Programmer . . . . .   | 8-76  |
| MM5767 Slide Rule Calculator. . . . .  | 8-80  |
| MM5777 6-Digit, 4-Function, Floating Decimal Point Calculator . . . . .                        | 8-84  |
| MM5780 Educational Toy Calculator . . . . .  | 8-90  |
| MM5781 Controller Oriented Processor System. . . . .   | 9-3   |
| MM5782 Controller Oriented Processor System. . . . .   | 9-3   |
| MM5785 RAM Interface Chip . . . . .  | 9-15  |
| MM5788 Printer Interface Chip . . . . .  | 9-21  |
| MM5791 7-Function, Accumulating Memory Calculator. . . . .                                     | 8-96  |
| MM5794 7-Function, Accumulating Memory, Vacuum Fluorescent Display Calculator. . . . .         | 8-105 |
| MM5795 7-Function, Accumulating Memory, Vacuum Fluorescent Display Calculator Circuit. . . . . | 8-114 |
| MM5799 Controller Oriented Processor . . . . .   | 9-27  |
| MM5823 Frequency Divider . . . . .   | 3-8   |
| MM5824 Frequency Divider . . . . .   | 3-8   |
| MM5829 LED Watch Circuit . . . . .   | 7-2   |
| MM5832 Chromatic Frequency Generator . . . . .   | 3-11  |
| MM5833 Chromatic Frequency Generator . . . . .   | 3-11  |
| MM5837 Digital Noise Source . . . . .  | 3-14  |
| MM5840 TV Channel Number (16 Channels) and Time Display Circuit . . . . .                      | 4-23  |
| MM5841 TV Channel Number and Time Readout Circuit . . . . .                                    | 4-28  |
| MM5860 LED Watch Circuit . . . . .   | 7-6   |
| MM5863 12-Bit Binary A/D Building Block . . . . .  | 5-30  |
| MM5865 Universal Timer . . . . .   | 2-10  |
| MM5871 Rhythm Pattern Generator. . . . .   | 3-16  |
| MM5879 RC Circuit. . . . .   | 7-12  |
| MM5880 LED Watch Circuit . . . . .   | 7-6   |
| MM5885 Direct Drive LED Watch . . . . .  | 7-13  |
| MM5886 Direct Drive LED Watch . . . . .  | 7-13  |
| MM5889 RC Circuit. . . . .   | 7-12  |
| MM5890 LCD Chronograph Circuit . . . . .   | 7-20  |
| MM5891 MOS Top Octane Frequency Generator . . . . .  | 3-19  |
| MM5899 RC Circuit. . . . .   | 7-12  |
| MM53100 Programmable TV Timer . . . . .  | 4-32  |
| MM53104 TV Game Clock Generator . . . . .  | 4-50  |

TOUCH-TONE® is a Registered Trademark of Bell Telephone



|  |       |
|--|-------|
| MM53105 Programmable TV Timer .....                                | 4-32  |
| MM53107 17-Stage Oscillator/Divider .....                          | 2-20  |
| MM53108 Digital Alarm Clock .....                                  | 1-62  |
| MM54C48 BCD-to-7-Segment Decoder .....                             | 11-42 |
| MM55104 PLL Frequency Synthesizer .....                            | 6-16  |
| MM55106 PLL Frequency Synthesizer .....                            | 6-16  |
| MM55108 PLL Frequency Synthesizer with Receive/Transmit Mode ..... | 6-20  |
| MM55110 PLL Frequency Synthesizer with Receive/Transmit Mode ..... | 6-20  |
| MM55114 PLL Frequency Synthesizer .....                            | 6-16  |
| MM55116 PLL Frequency Synthesizer .....                            | 6-16  |
| MM57100 TV Game Circuit .....                                      | 4-37  |
| MM57103 Scientific Calculator Circuit .....                        | 8-123 |
| MM57104 Scientific Calculator Circuit .....                        | 8-132 |
| MM57109 Number Processing Unit .....                               | 9-39  |
| MM57123 Financial Calculator .....                                 | 8-141 |
| MM57126 COPS Memory .....  | 9-40  |
| MM57135 Scientific Calculator ROM .....                            | 8-153 |
| MM57136 RPN Scientific Calculator Control ROM .....                | 8-157 |
| MM57140 Controller Oriented Processor .....                        | 9-46  |
| MM58104 Direct Drive LED Watch .....                               | 7-27  |
| MM58106 Digital Clock and TV Display Circuit .....                 | 4-53  |
| MM58115 Digitally Tuned, Direct Drive, 6-Function LED Watch .....  | 7-32  |
| MM58117 LCD Watch Circuit .....                                    | 7-40  |
| MM58118 LCD Watch Circuit .....                                    | 7-40  |
| MM58119 LCD Watch Circuit .....                                    | 7-40  |
| MM58120 LCD Watch Circuit .....                                    | 7-40  |
| MM58127 LCD Watch Circuit .....                                    | 7-47  |
| MM58128 LCD Watch Circuit .....                                    | 7-47  |
| MM58129 LCD Watch Circuit .....                                    | 7-47  |
| MM58130 LCD Watch Circuit .....                                    | 7-47  |
| MM58601 Two Time Zone LED Watch Circuit .....                      | 7-6   |
| MM58801 Two Time Zone LED Watch Circuit .....                      | 7-6   |
| MM74C48 BCD-to-7-Segment Decoder .....                             | 11-42 |
| MM54C915 7-Segment-to-BCD Converter .....                          | 11-46 |
| MM54C922 16-Key Encoder .....                                      | 10-16 |
| MM54C923 20-Key Encoder .....                                      | 10-16 |
| MM74C915 7-Segment-to-BCD Converter .....                          | 11-46 |
| MM74C922 16-Key Encoder .....                                      | 10-16 |
| MM74C923 20-Key Encoder .....                                      | 10-16 |
| NSA 1100 Series 0.100 Inch 9-Digit LED Display .....               | 12-2  |
| NSA 1298 0.110 Inch 9-Digit LED Display .....                      | 12-6  |
| NSA 5120 1/8 Inch 12-Digit LED Display .....                       | 12-8  |
| NSA 5140 1/8 Inch 14-Digit LED Display .....                       | 12-10 |
| NSB 5917 0.5 Inch 5-Digit Numeric Display .....                    | 12-12 |
| NSB 5921 0.5 Inch 5-Digit Numeric Display .....                    | 12-12 |
| NSB 5922 0.5 Inch 5-Digit Numeric Display .....                    | 12-12 |
| NSN Series Multi-Digit LED Numeric Series .....                    | 12-14 |



**SECTION 1**  
**CLOCKS**



For additional application information, see AN-143 at the end of this section.

## MM5309, MM5311, MM5312, MM5313, MM5314, MM5315 digital clocks

### general description

These digital clocks are monolithic MOS integrated circuits utilizing P-channel low-threshold, enhancement mode and ion implanted. depletion mode devices. The devices provide all the logic required to build several types of clocks. Two display modes (4 or 6-digits) facilitate end-product designs of varied sophistication. The circuits interface to LED and gas discharge displays with minimal additional components, and require only a single power supply. The timekeeping function operates from either a 50 or 60 Hz input, and the display format may be either 12 hours (with leading-zero blanking) or 24 hours. Outputs consist of multiplexed display drives (BCD and 7-segment) and digit enables. The devices operate over a power supply range of 11V to 19V and do not require a regulated supply. These clocks are packaged in dual-in-line packages.

### features

- 50 or 60 Hz operation
- 12 or 24-hour display format

- Leading-zero blanking (12-hour format)
- 7-segment outputs
- Single power supply
- Fast and slow set controls
- Internal multiplex oscillator
- For features of individual clocks, see Table I

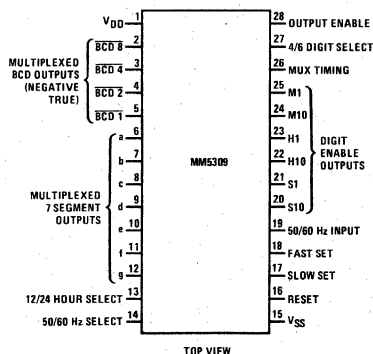
### applications

- Desk clocks
- Automobile clocks
- Industrial clocks
- Interval Timers

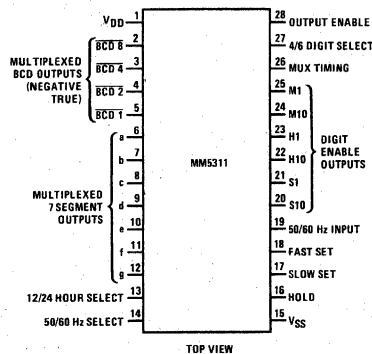
TABLE I.

| FEATURES               | MM5309 | MM5311 | MM5312 | MM5313 | MM5314 | MM5315 |
|------------------------|--------|--------|--------|--------|--------|--------|
| BCD Outputs            | X      | X      | X      | X      |        | X      |
| 4/6-Digit Display Mode | X      | X      |        | X      | X      | X      |
| Hold Count Control     |        | X      |        | X      | X      | X      |
| 1 Hz Output            |        |        | X      | X      |        |        |
| Output Enable Control  | X      | X      |        |        | X      |        |
| Reset                  | X      |        |        |        |        | X      |

### connection diagrams (Dual-In-Line Packages)



Order Number MM5309N  
See Package 23



Order Number MM5311N  
See Package 23

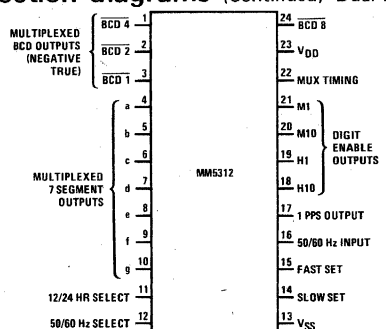
### absolute maximum ratings

|  |                                   |
|--|-----------------------------------|
| Voltage at Any Pin                       | $V_{SS} + 0.3$ to $V_{SS} - 20V$  |
| Operating Temperature                    | $-25^{\circ}C$ to $+70^{\circ}C$  |
| Storage Temperature                      | $-65^{\circ}C$ to $+150^{\circ}C$ |
| Lead Temperature (Soldering, 10 seconds) | $300^{\circ}C$                    |

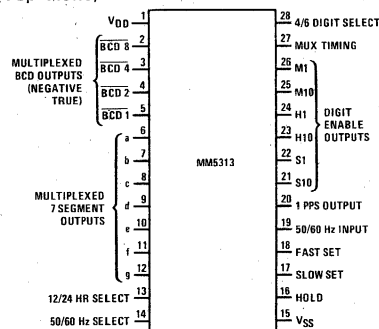
**electrical characteristics**  $T_A$  within operating range,  $V_{SS} = 11V$  to  $19V$ ,  $V_{DD} = 0V$ , unless otherwise specified.

| PARAMETER                              | CONDITIONS                            | MIN        | TYP      | MAX         | UNITS     |
|--|---------------------------------------|------------|----------|-------------|-----------|
| Power Supply Voltage                   | $V_{SS}$ ( $V_{DD} = 0V$ )            | 11         |          | 19          | V         |
| Power Supply Current                   | $V_{SS} = 14V$ , (No Output Loads)    |            |          | 10          | mA        |
| 50/60 Hz Input Frequency               |                                       | dc         | 50 or 60 | 60k         | Hz        |
| 50/60 Hz Input Voltage                 |                                       |            |          |             |           |
| Logical High Level                     |                                       | $V_{SS}-1$ | $V_{SS}$ | $V_{SS}$    | V         |
| Logical Low Level                      |                                       | $V_{DD}$   | $V_{DD}$ | $V_{SS}-10$ | V         |
| Multiplex Frequency                    | Determined by External R & C          | 0.100      | 1.0      | 60          | kHz       |
| All Logic Inputs                       | Driven by External Timebase           | dc         |          | 60          | kHz       |
| Logical High Level                     | Internal Depletion Device to $V_{SS}$ | $V_{SS}-1$ | $V_{SS}$ | $V_{SS}$    | V         |
| Logical Low Level                      |                                       | $V_{DD}$   | $V_{DD}$ | $V_{SS}-10$ | V         |
| $\overline{BCD}$ and 7-Segment Outputs |                                       |            |          |             |           |
| Logical High Level                     | Loaded 2 k $\Omega$ to $V_{DD}$       | 2.0        |          | 20          | mA source |
| Logical Low Level                      |                                       |            |          | 0.01        | mA source |
| Digital Enable Outputs                 |                                       |            |          | 0.3         | mA source |
| Logical High Level                     |                                       |            |          |             |           |
| Logical Low Level                      | Loaded 100 $\Omega$ to $V_{SS}$       | 5.0        |          | 25          | mA sink   |

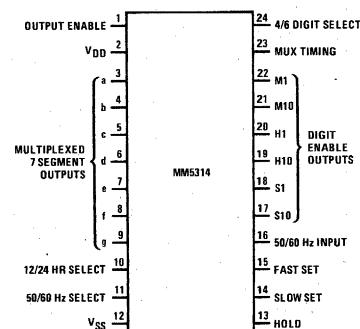
### connection diagrams (Continued) Dual-In-Line Packages (Top Views)



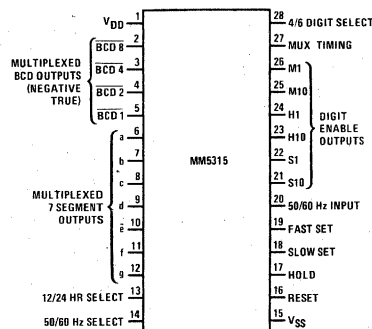
Order Number MM5312N  
See Package 22



Order Number MM5313N  
See Package 23



Order Number MM5314N  
See Package 22



Order Number MM5315N  
See Package 23

## functional description

A block diagram of the MM5309 digital clock is shown in *Figure 1*. MM5311, MM5312, MM5313, MM5314 and MM5315 clocks are bonding options of MM5309 clock. Table 1 shows the pin-outs for these clocks.

**50 or 60 Hz Input:** This input is applied to a Schmitt Trigger shaping circuit which provides approximately 5V of hysteresis and allows using a filtered sine wave input. A simple RC filter such as shown in *Figure 10* should be used to remove possible line voltage transients that could either cause the clock to gain time or damage the device. The shaper output drives a counter chain which performs the timekeeping function.

**50 or 60 Hz Select Input:** This input programs the prescale counter to divide by either 50 or 60 to obtain a 1 Hz timebase. The counter is programmed for 60 Hz operation by connecting this input to V<sub>DD</sub>. An internal depletion device is common to this pin; simply leaving this input unconnected programs the clock for 50 Hz operation. As shown in *Figure 1*, the prescale counter provides both 1 Hz and 10 Hz signals, which can be brought out as bonding options.

**Time Setting Inputs:** Both fast and slow setting inputs, as well as a hold input, are provided. Internal depletion devices provide the normal timekeeping function. Switching any of these inputs (one at a time) to V<sub>DD</sub> results in the desired time setting function.

The three gates in the counter chain (*Figure 1*) are used for setting time. During normal operation, gate A connects the shaper output to a prescale counter ( $\div 50$  or  $\div 60$ ); gates B and C cascade the remaining counters. Gate A is used to inhibit the input to the counters for the duration of slow, fast or hold time-setting input activity. Gate B is used to connect the shaper output directly to a seconds counter ( $\div 60$ ), the condition for slow advance. Likewise, gate C connects the shaper output directly to a minutes counter ( $\div 60$ ) for fast advance.

Fast set then, advances hours information at one hour per second and slow set advances minutes information at one minute per second.

**12 or 24-Hour Select Input:** This input is used to program the hours counter to divide by either 12 or 24, thereby providing the desired display format. The 12-hour display format is selected by connecting this input to V<sub>DD</sub>; leaving the input unconnected (internal depletion device) selects the 24-hour format.

**Output Multiplexer Operation:** The seconds, minutes, and hours counters continuously reflect the time of day. Outputs from each counter (indicative of both units and tens of seconds, minutes, and hours) are time-division multiplexed to provide digit-sequential access to the time data. Thus, instead of requiring 42 leads to interconnect a 6-digit clock and its display (7 segments per digit), only 13 output leads are required. The multiplexer is addressed by a multiplex divider decoder,

which is driven by a multiplex oscillator. The oscillator and external timing components set the frequency of the multiplexing function and, as controlled by the 4 or 6-digit select input, the divider determines whether data will be output for 4 or 6 digits. A zero-blanking circuit suppresses the zero that would otherwise sometimes appear in the tens-of-hours display; blanking is effective only in the 12-hour format. The multiplexer addresses also become the display digit-enable outputs. The multiplexer outputs are applied to a decoder which is used to address a programmable (code converting) ROM. This ROM generates the final output codes, i.e.,  $\overline{\text{BCD}}$  and 7-segment. The sequential output order is from digit 6 (unit seconds) through digit 1 (tens of hours).

**Multiplex Timing Input:** The multiplex oscillator is shown in *Figure 2*. Adding an external resistor and capacitor to this circuit via the multiplex timing input (as shown in *Figure 4a*) produces a relaxation oscillator. The waveform at this input is a quasi-sawtooth that is squared by the shaping action of the Schmitt Trigger in *Figure 2*. *Figure 3* provides guidelines for selecting the external components relative to desired multiplex frequency.

*Figure 4* also illustrates two methods of synchronizing the multiplex oscillator to an external timebase. The external RC timing components may be omitted and this input may be driven by an external timebase; the required logic levels are the same as 50 or 60 Hz input.

**Reset:** Applying V<sub>DD</sub> to this input resets the counters to 0:00:00.00 in 12-hour format and 00:00:00.00 in 24-hour formats leaving the input unconnected (internal depletion pull-up) selects normal operation.

**4 or 6-Digit Select Input:** Like the other control inputs, this input is provided with an internal depletion pull-up device. With no input connection the clock outputs data for a 4-digit display. Applying V<sub>DD</sub> to this input provides a 6-digit display.

**Output Enable Input:** With this pin unconnected the BCD and 7-segment outputs are enabled (via an internal depletion pull-up). Switching V<sub>DD</sub> to this input inhibits these outputs. (Not applicable to MM5312, MM5313, and MM5315 clocks.)

**Output Circuits:** *Figure 5a* illustrates the circuit used for the BCD and 7-segment outputs. *Figure 5b* shows the digit enable output circuit. *Figure 6* illustrates interfacing these outputs to standard and low power TTL. *Figures 7 and 8* illustrate methods of interfacing these outputs to common anode and common cathode LED displays, respectively. A method of interfacing these clocks to gas discharge display tubes is shown in *Figure 9*. When driving gas discharge displays which enclose more than one digit in a common gas envelope, it is necessary to inhibit the segment drive voltage(s) during inter-digit transitions. *Figure 9* also illustrates a method of generating a voltage for application to the output enable input to accomplish the required inter-digit blanking.

functional description (Continued)

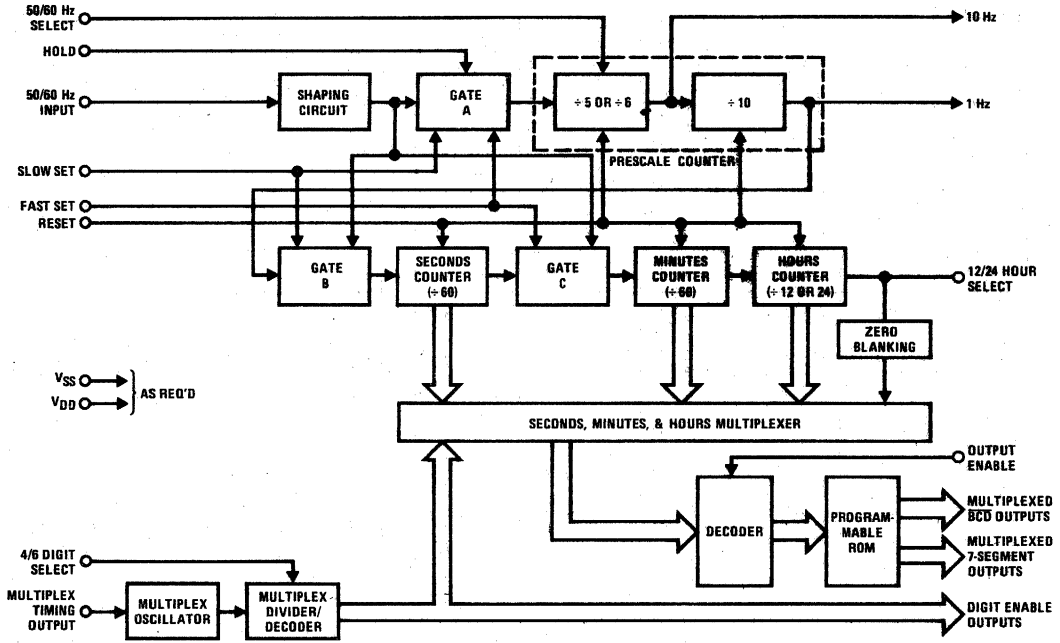


FIGURE 1. MM5309 Digital Clock Block Diagram

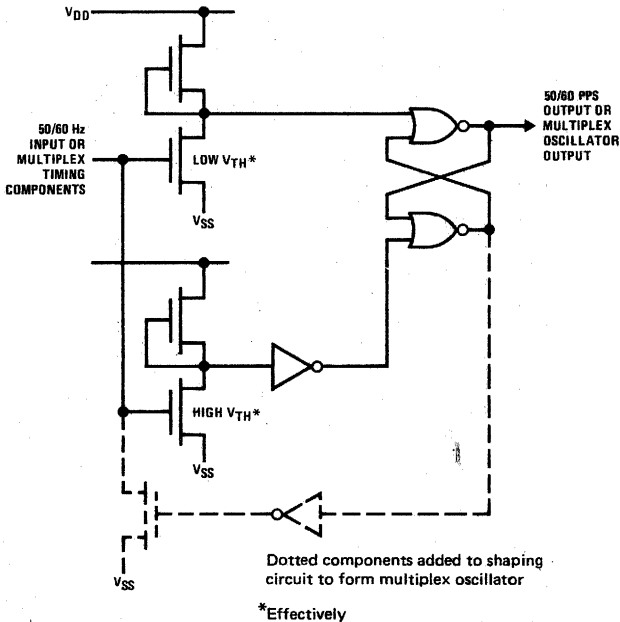


FIGURE 2. 50/60 Hz Shaping Circuit/Multiplex Oscillator

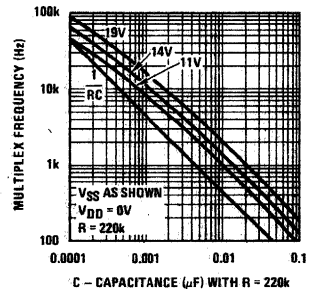


FIGURE 3. Multiplex Timing Component Selection Guide

functional description (Continued)

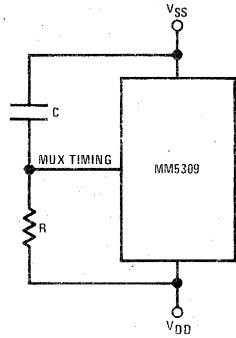


FIGURE 4a. Relaxation Oscillator

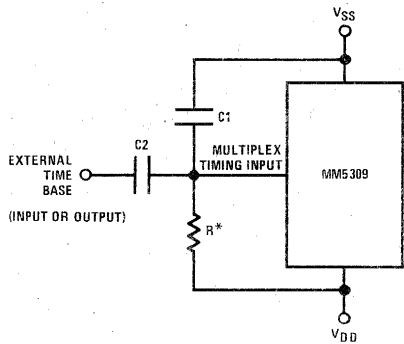


FIGURE 4b. External Time Base

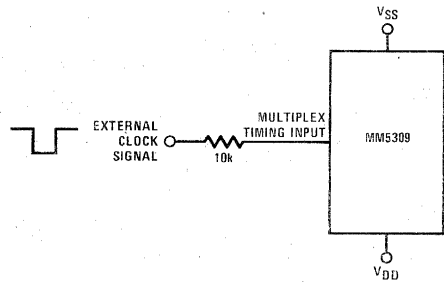


FIGURE 4c. External Clock

Note. Free running frequency should be set to run slightly lower than system frequency over temperature. External time base may be input or output.  
\* R=100k.

FIGURE 4. Synchronizing or Triggering Multiplex Oscillators

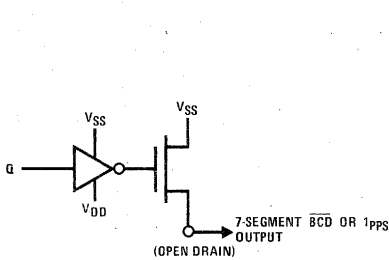


FIGURE 5a

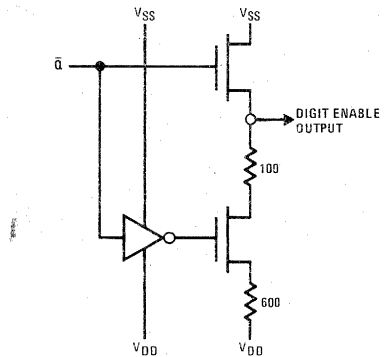


FIGURE 5b

FIGURE 5. Output Circuits









## MM5316 digital alarm clock

### general description

The MM5316 digital alarm clock is a monolithic MOS integrated circuit utilizing P-channel low-threshold, enhancement mode and ion-implanted depletion mode devices. It provides all the logic required to build several types of clocks and timers. Four display modes (time, seconds, alarm and sleep) are provided to optimize circuit utility. The circuit interfaces directly with 7-segment fluorescent tubes, and requires only a single power supply. The timekeeping function operates from either a 50 or 60 Hz input, and the display format may be either 12 hours (with leading-zero blanking and AM/PM indication) or 24 hours. Outputs consist of display drives, sleep (e.g., timed radio turn off), and alarm enable. Power failure indication is provided to inform the user that incorrect time is being displayed. Setting the time cancels this indication. The device operates over a power supply range of 8–29V and does not require a regulated supply. The MM5316 is packaged in a 40-lead dual-in-line package.

### features

- 50 or 60 Hz operation
- Single power supply
- Low power dissipation (36 mW at 9V)
- 12 or 24-hour display format

- AM/PM outputs
- Leading-zero blanking } 12-hour format
- 24-hour alarm setting
- All counters are resettable
- Fast and slow set controls
- Power failure indication
- Blanking/brightness control capability
- Elimination of illegal time display at turn on
- Direct interface to fluorescent tubes
- 9-minute snooze alarm
- Presetable 59-minute sleep timer

### applications

- Alarm clocks
- Desk clocks
- Clock radios
- Automobile clocks
- Stopwatches
- Industrial clocks
- Portable clocks
- Photography timers
- Industrial timers
- Appliance timers
- Sequential controllers

### block and connection diagrams

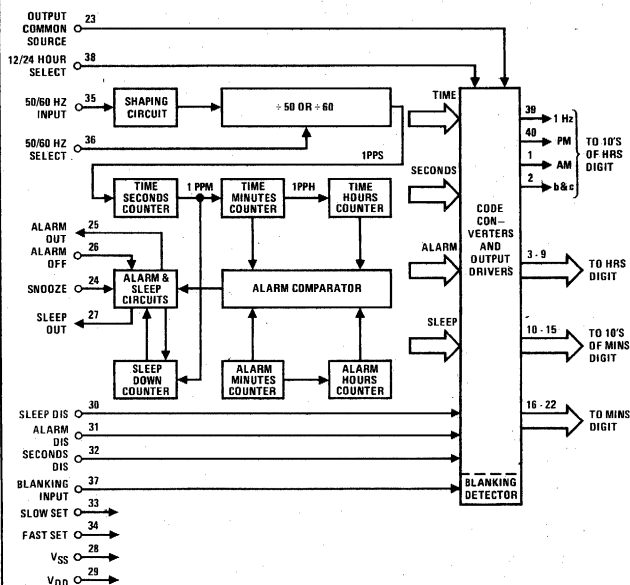
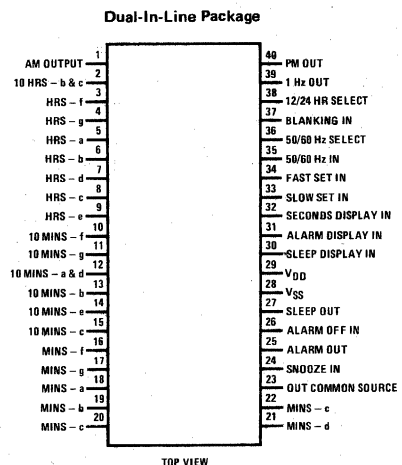


FIGURE 1.



Order Number MM5316N  
See Package 24

FIGURE 2.

## absolute maximum ratings

|  |                                   |
|--|-----------------------------------|
| Voltage at Any Pin                       | $V_{SS} + 0.3$ to $V_{SS} - 30V$  |
| Operating Temperature                    | $-25^{\circ}C$ to $+70^{\circ}C$  |
| Storage Temperature                      | $-65^{\circ}C$ to $+150^{\circ}C$ |
| Lead Temperature (Soldering, 10 seconds) | $300^{\circ}C$                    |

## electrical characteristics

$T_A$  within operating range,  $V_{SS} = 21V$  to  $+29V$ ,  $V_{DD} = 0V$ , unless otherwise specified.

| PARAMETER                                      | CONDITIONS  | MIN          | TYP      | MAX        | UNITS    |
|--|---|--------------|----------|------------|----------|
| Power Supply Voltage                           | $V_{SS}$ ( $V_{DD} = 0V$ )                            | 21           |          | 29         | V        |
| Power Supply Current                           | No Output Loads<br>$V_{SS} = 8V$<br>$V_{SS} = 29V$    |              |          | 4<br>5     | mA<br>mA |
| Counter Operation Voltage                      |   | 8            |          | 29         | V        |
| 50/60 Hz Input Frequency Voltage               |   | dc           | 50 or 60 | 10k        | Hz       |
| Logical High Level                             |   | $V_{SS}-1$   | $V_{SS}$ | $V_{SS}$   | V        |
| Logical Low Level                              |   | $V_{DD}$     | $V_{DD}$ | $V_{DD}+1$ | V        |
| Blanking Input Voltage                         |   |              |          |            |          |
| Logical High Level                             |   | $V_{SS}-1.5$ | $V_{SS}$ | $V_{SS}$   | V        |
| Logical Low Level                              |   | $V_{DD}$     | $V_{DD}$ | $V_{SS}-4$ | V        |
| All Other Input Voltages                       |   |              |          |            |          |
| Logical High Level                             |   | $V_{SS}-1$   | $V_{SS}$ | $V_{SS}$   | V        |
| Logical Low Level                              | Internal Depletion Device to $V_{DD}$                 | $V_{DD}$     | $V_{DD}$ | $V_{DD}+2$ | V        |
| Power Failure Detect Voltage                   | ( $V_{SS}$ Voltage)                                   | 10           |          | 20         | V        |
| Output Currents, 1 Hz Display                  | $V_{SS} = 21V$ to $29V$ ,<br>Output Common = $V_{SS}$ |              |          |            |          |
| Logical High Level                             | $V_{OH} = V_{SS} - 2V$                                | 1500         |          |            | $\mu A$  |
| Logical Low Level, Leakage                     | $V_{OL} = V_{DD}$                                     |              |          | 1          | $\mu A$  |
| 10's of Hours (b & c), 10's of Minutes (a & d) |   |              |          |            |          |
| Logical High Level                             | $V_{OH} = V_{SS} - 2V$                                | 1000         |          |            | $\mu A$  |
| Logical Low Level, Leakage                     | $V_{OL} = V_{DD}$                                     |              |          | 1          | $\mu A$  |
| All Other Display, Alarm and Sleep Outputs     |   |              |          |            |          |
| Logical High Level                             | $V_{OH} = V_{SS} - 2V$                                | 500          |          |            | $\mu A$  |
| Logical Low Level, Leakage                     | $V_{OL} = V_{DD}$                                     |              |          | 1          | $\mu A$  |

## functional description

A block diagram of the MM5316 digital alarm clock is shown in *Figure 1*. The various display modes provided by this clock are listed in Table I. The functions of the setting controls are listed in Table II. *Figure 2* is a connection diagram. The following discussions are based on *Figure 1*.

**50 or 60 Hz Input (pin 35):** A shaping circuit (*Figure 3*) is provided to square the 50 or 60 Hz input. This circuit allows use of a filtered sinewave input. The circuit is a Schmitt Trigger that is designed to provide about 6V of hysteresis. A simple RC filter, such as shown in *Figure 6*, should be used to remove possible line-voltage transients that could either cause the clock to gain time or damage the device. The shaper output drives a counter chain which performs the timekeeping function.

**50 or 60 Hz Select Input (pin 36):** A programmable prescale counter divides the input line frequency by either 50 or 60 to obtain a 1 Hz time base. This counter is programmed to divide by 60 simply by leaving pin 36 unconnected; pull-down to  $V_{DD}$  is provided by an internal depletion device. Operation at 50 Hz is programmed by connecting pin 36 to  $V_{SS}$ .

**Display Mode Select Inputs (pins 30–32):** In the absence of any of these three inputs, the display drivers present time-of-day information to the appropriate display digits. Internal pull-down depletion devices allow use of simple SPST switches to select the display mode. If more than one mode is selected, the priorities are as noted in Table I. Alternate display modes are selected by applying  $V_{SS}$  to the appropriate pin. As shown in *Figure 1* the code converters receive time, seconds, alarm and sleep information from appropriate points in the clock circuitry. The display mode select inputs control the gating of the desired data to the code converter inputs and ultimately (via output drivers) to the display digits.

**Time Setting Inputs (pins 33 and 34):** Both fast and slow setting inputs are provided. These inputs are applied either singly or in combination to obtain the control functions listed in Table II. Again, internal pull-down depletion devices are provided; application of  $V_{SS}$  to these pins effects the control functions. Note that the control functions proper are dependent on the selected display mode. For example, a hold-time control function is obtained by selecting seconds display and actuating the slow set input. As another example, the clock time may be reset to 12:00:00 AM, in the 12-hour format (00:00:00 in the 24-hour format), by selecting seconds display and actuating both slow and fast set inputs.

**Blanking Control Input (pin 37):** Connecting this Schmitt Trigger input to  $V_{DD}$  places all display drivers in a non-conducting, high-impedance state, thereby inhibiting the display, (see *Figures 3 and 4*). Conversely,  $V_{SS}$  applied to this input enables the display.

**Output Common Source Connection (pin 23):** All display output drivers are open-drain devices with all sources common to pin 23 (*Figure 4*). When using

fluorescent tube displays,  $V_{SS}$  or a display brightness control voltage is permanently connected to this pin. Since the brightness of a fluorescent tube display is dependent on the anode (segment) voltage, applying a variable voltage to pin 23 results in a display brightness control. This control is shown in *Figure 6*.

**12 or 24-Hour Select Input (pin 38):** By leaving this pin unconnected, the outputs for the most-significant display digit (10's of hours) are programmed to provide a 12-hour display format. An internal depletion pull down device is again provided. Connecting this pin to  $V_{SS}$  programs the 24-hour display format. Segment connections for 10's of hours in 24-hour mode are shown in *Figure 5b*.

**Power Fail Indication:** If the power to the integrated circuit drops indicating a momentary ac power failure and possible loss of clock, the power fail latch is set. The power failure indication consists of a flashing of the AM or PM indicator at a 1 Hz rate. A fast or slow set input resets an internal power failure latch and returns the display to normal. In the 24-hour format, the power failure indication consists of flashing segments "c" and "f" for times less than 10 hours, and of a flashing segment "c" for times equal to or greater than 10 hours but less than 20 hours; and a flashing segment "g" for times equal to or greater than 20 hours.

**Alarm Operation and Output (pin 25):** The alarm comparator (*Figure 1*) senses coincidence between the alarm counters (the alarm setting) and the time counters (real time). The comparator output is used to set a latch in the alarm and sleep circuits. The latch output enables the alarm output driver (*Figure 4*), the MM5316 output that is used to control the external alarm sound generator. The alarm latch remains set for 59 minutes, during which the alarm will therefore sound if the latch output is not temporarily inhibited by another latch set by the snooze alarm input (pin 24) or reset by the alarm "OFF" input (pin 26). If power fail occurs and power comes back up, the alarm output will be in high impedance state.

**Snooze Alarm Input (pin 24):** Momentarily connecting pin 24 to  $V_{SS}$  inhibits the alarm output for between 8 and 9 minutes, after which the alarm will again be sounded. This input is pulled-down to  $V_{DD}$  by an internal depletion device. The snooze alarm feature may be repeatedly used during the 59 minutes in which the alarm latch remains set.

**Alarm "OFF" Input (pin 26):** Momentarily connecting pin 26 to  $V_{SS}$  resets the alarm latch and thereby silences the alarm. This input is also returned to  $V_{DD}$  by an internal depletion device. The momentary alarm "OFF" input also readies the alarm latch for the next comparator output, and the alarm will automatically sound again in 24 hours (or at a new alarm setting). If it is desired to silence the alarm for a day or more, the alarm "OFF" input should remain at  $V_{SS}$ .

**Sleep Timer and Output (pin 27):** The sleep output at pin 27 can be used to turn off a radio after a

**functional description** (Continued)

desired time interval of up to 59 minutes. The time interval is chosen by selecting the sleep display mode (Table I) and setting the desired time interval (Table II). This automatically results in a current-source output via pin 27, which can be used to turn on a radio (or other appliance). When the sleep counter, which counts downwards, reaches 00 minutes, a latch is reset

and the sleep output current drive is removed, thereby turning off the radio. The turn off may also be manually controlled (at any time in the countdown) by a momentary  $V_{SS}$  connection to the snooze input (pin 24). The output circuitry is the same as the other outputs (Figure 4).

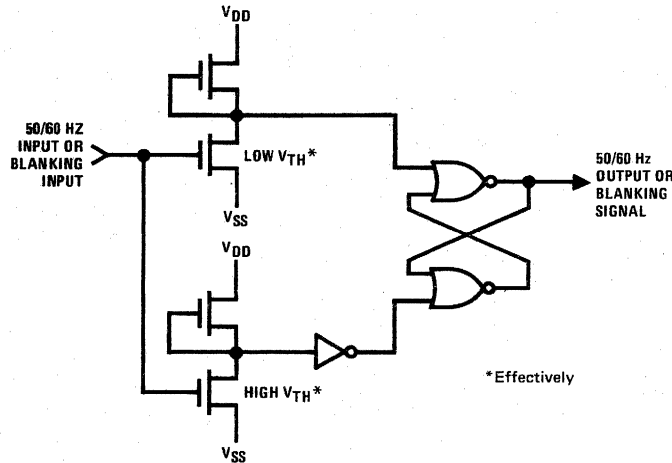
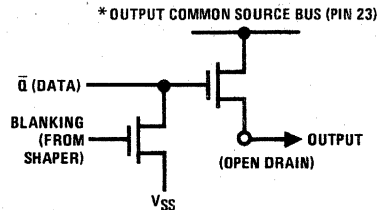
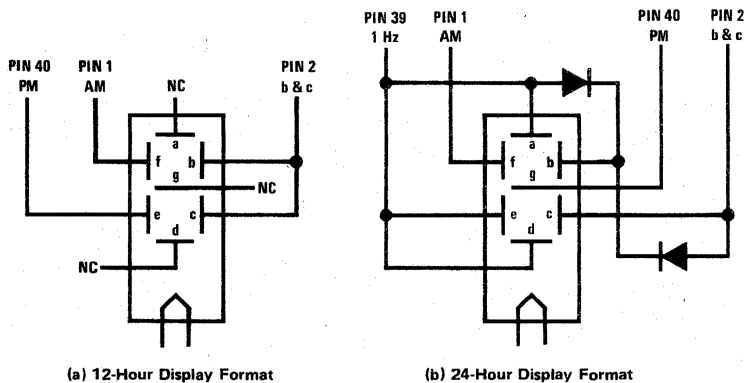


FIGURE 3. 50/60 Hz or Blanking Input Shaping Circuit



\* Alarm and sleep output sources are connected to  $V_{SS}$ : blanking is not applied to these outputs.

FIGURE 4. Output Circuit



(a) 12-Hour Display Format

(b) 24-Hour Display Format

FIGURE 5. Wiring Ten's-of-Hours Digit

functional description (Continued)

TABLE I. MM5316 Display Modes

| *SELECTED DISPLAY MODE | DIGIT NO. 1           | DIGIT NO. 2 | DIGIT NO. 3     | DIGIT NO. 4 |
|------------------------|-----------------------|-------------|-----------------|-------------|
| Time Display           | 10's of Hours & AM/PM | Hours       | 10's of Minutes | Minutes     |
| Seconds Display        | Blanked               | Minutes     | 10's of Seconds | Seconds     |
| Alarm Display          | 10's of Hours & AM/PM | Hours       | 10's of Minutes | Minutes     |
| Sleep Display          | Blanked               | Blanked     | 10's of Minutes | Minutes     |

\* If more than one display mode input is applied, the display priorities are in the order of Sleep (overrides all others), Alarm, Seconds, Time (no other mode selected).

TABLE II. MM5316 Setting Control Functions

| SELECTED DISPLAY MODE | CONTROL INPUT | CONTROL FUNCTION   |
|-----------------------|---------------|--|
| *Time                 | Slow          | Minutes Advance at 2 Hz Rate   |
|                       | Fast          | Minutes Advance at 60 Hz Rate  |
|                       | Both          | Minutes Advance at 60 Hz Rate  |
| Alarm                 | Slow          | Alarm Minutes Advance at 2 Hz Rate                                   |
|                       | Fast          | Alarm Minutes Advance at 60 Hz Rate                                  |
|                       | Both          | Alarm Resets to 12:00 AM (12-hour format)                            |
|                       | Both          | Alarm Resets to 00:00 (24-hour format)                               |
| Seconds               | Slow          | Input to Entire Time Counter is Inhibited (Hold)                     |
|                       | Fast          | Seconds and 10's of Seconds Reset to Zero Without a Carry to Minutes |
|                       | Both          | Time Resets to 12:00:00 AM (12-hour format)                          |
|                       | Both          | Time Resets to 00:00:00 (24-hour format)                             |
| Sleep                 | Slow          | Subtracts Count at 2 Hz  |
|                       | Fast          | Subtracts Count at 60 Hz   |
|                       | Both          | Subtracts Count at 60 Hz   |

\* When setting time sleep minutes will decrement at rate of time counter, until the sleep counter reaches 00 minutes (sleep counter will not recycle).

typical application

Figure 6 is a schematic diagram of a general purpose alarm clock using the MM5316 and a fluorescent tube display.

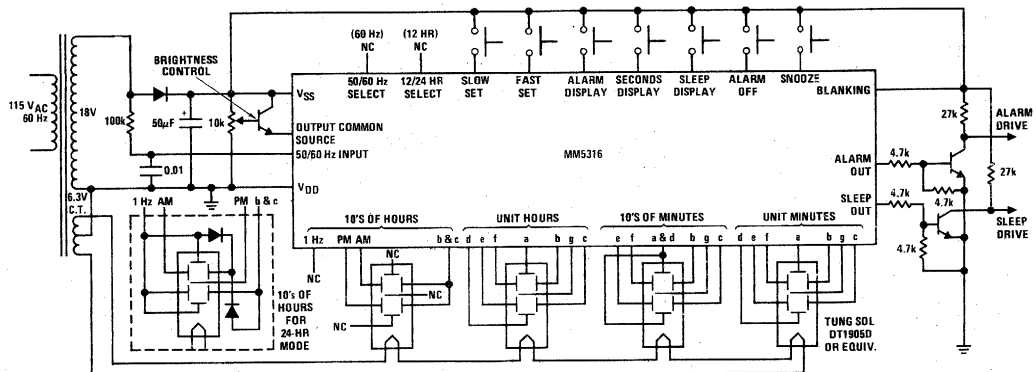


FIGURE 6. Schematic



**MM5370, MM5371 digital alarm clocks**

**general description**

The MM5370 and MM5371 digital alarm clocks are monolithic MOS integrated circuits utilizing P-channel low-threshold, enhancement mode and ion-implanted depletion mode devices. They provide all the logic required to build several types of clocks and timers. Three display modes (time, alarm and sleep) are provided to optimize circuit utility. The circuits interface simply with 7-segment gas discharge displays. The timekeeping function operates from either a 60 Hz (MM5370) or 50 Hz (MM5371) input, and the display format may be either 12 hours (with leading-zero blanking and AM/PM indication) or 24 hours. Outputs consist of display drives, alarm enable and sleep (e.g., timed radio turn off). Power failure indication is provided to inform the user that incorrect time is being displayed. Setting the time cancels this indication. These clocks are packaged in 28-pin dual-in-line packages.

- AM/PM drive output in 12-hour format
- Leading-zero blanking in 12-hour format
- 24-hour alarm setting
- All counters are resettable
- Fast and slow set controls
- Power fail indication
  - Blinking colon—12-hour or 24-hour mode
  - Blinking AM/PM indicators—12-hour only
- Brightness control capability
- Simple interface to gas discharge display
- Presettable 59-minute sleep timer
- 9-minute snooze timer

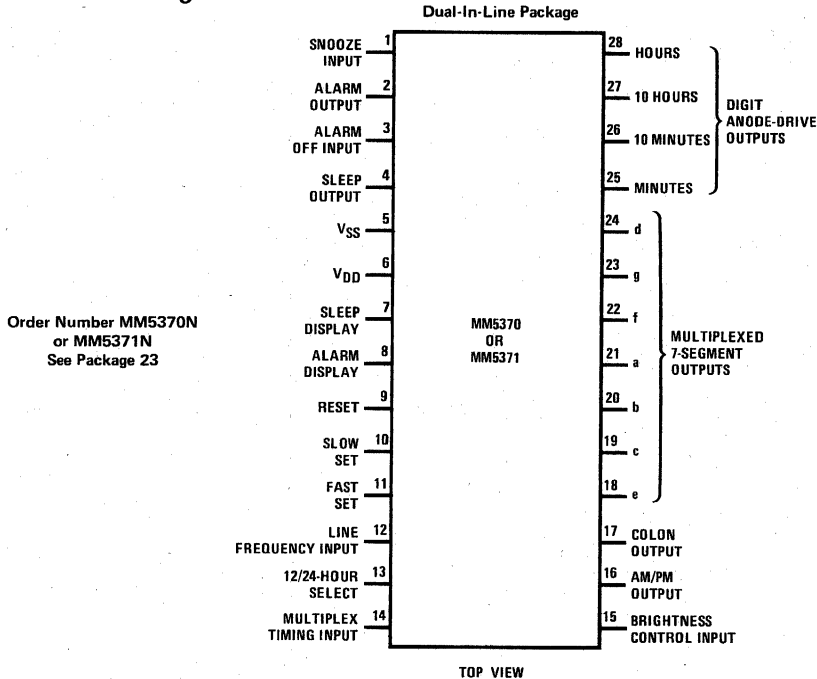
**features**

- Single power supply
- Low power dissipation
- 12 or 24-hour display format
- Colon drive output

**applications**

- Alarm clocks
- Desk clocks
- Clock/radios
- Automobile clocks
- Industrial clocks
- Appliance timers

**connection diagram**



**absolute maximum ratings**

|  |                                   |
|--|-----------------------------------|
| Voltage at Any Pin                       | $V_{SS} + 0.3V$ to $V_{SS} - 29V$ |
| Voltage at Any Display Output Pin        | $V_{SS} + 0.3V$ to $V_{SS} - 55V$ |
| Operating Temperature                    | $-25^{\circ}C$ to $+70^{\circ}C$  |
| Storage Temperature                      | $-65^{\circ}C$ to $+150^{\circ}C$ |
| Lead Temperature (Soldering, 10 seconds) | $300^{\circ}C$                    |

**electrical characteristics**  $T_A$  within operating range,  $V_{SS} = 0V$ ,  $V_{DD} = -21V$  to  $-29V$  unless otherwise specified.

| PARAMETER                        | CONDITIONS                                    | MIN          | TYP      | MAX          | UNITS   |
|----------------------------------|---|--------------|----------|--------------|---------|
| Power Supply Voltage             |   |              |          |              |         |
| Functioning Clock                | No Output Loads                               | -8.0         | -25      | -29          | V       |
| Outputs Driving Display          |   | -21          |          | -29          | V       |
| Power Supply Current             | No Output Loads, (See "Power Supply" Section) |              |          | 5.0          | mA      |
| 60 Hz (or 50 Hz) Input Frequency |   |              |          |              |         |
| MM5370                           |   | dc           |          | 30k          | Hz      |
| MM5371                           |   | dc           |          | 30k          | Hz      |
| 60 Hz (or 50 Hz) Input Voltage   |   |              |          |              |         |
| Logical High Level               |   | $V_{SS}-1.0$ | $V_{SS}$ | $V_{SS}$     | V       |
| Logical Low Level                |   | $V_{DD}$     | $V_{DD}$ | $V_{DD}+1$   | V       |
| Brightness Control Voltage       |   |              |          |              |         |
| Logical High Level               |   | $V_{SS}-2.0$ | $V_{SS}$ | $V_{SS}$     | V       |
| Logical Low Level                |   | $V_{DD}$     | $V_{DD}$ | $V_{SS}-4.0$ | V       |
| All Other Input Voltages         |   |              |          |              |         |
| Logical High Level               |   | $V_{SS}-1.0$ | $V_{SS}$ | $V_{SS}$     | V       |
| Logical Low Level                | Internal Depletion Load to $V_{DD}$           | $V_{DD}$     | $V_{DD}$ | $V_{DD}+2.0$ | V       |
| Multiplex Frequency              | Determined by Ext. RC                         | 500          |          | 60k          | Hz      |
|                                  | Driven by Ext. Time Base                      | dc           |          | 60k          | Hz      |
| Power Failure Detect Voltage     | ( $V_{DD}$ Voltage)                           | -3.0         |          | -8.0         | V       |
| Output Currents                  | $V_{DD} = -21V$ to $-29V$ , $V_{SS} = 0V$     |              |          |              |         |
| Digit Anode Outputs              |   |              |          |              |         |
| Logical High Level, ("ON")       | $V_{OH} = V_{SS} - 5V$                        | 8.0          |          |              | mA      |
| Logical Low Level, ("OFF")       | $V_{OL} = V_{SS} - 45V$                       |              |          | 40           | $\mu A$ |
| Segment Cathode Outputs          |   |              |          |              |         |
| Logical High Level, ("OFF")      | $V_{OH} = V_{SS} - 5V$                        | 2.0          |          |              | mA      |
| Logical Low Level, ("ON")        | $V_{OL} = V_{SS} - 45V$                       |              |          | 10           | $\mu A$ |
| Alarm and Sleep Outputs          |   |              |          |              |         |
| Logical High Level, ("ON")       | $V_{OH} = V_{SS} - 2V$                        | 1.5          |          |              | mA      |
| Logical Low Level, ("OFF")       | $V_{OL} = V_{DD} + 2V$                        | -10          |          |              | $\mu A$ |

1

**functional description**

A block diagram of the MM5370 and MM5371 clocks is shown in *Figure 1*. The various display modes provided by these clocks are listed in Table I. The functions of the controls are listed in Table II. A connection diagram for these devices is shown on page 1. Unless indicated otherwise, the following discussions are based on *Figure 1*.

**Power Supply:** Even though these clocks do not require a regulated supply, and operate over a wide voltage range, certain factors should be remembered. Power supply voltages between  $-8V$  and  $-21V$  will provide all

functions of the clocks (proper counting, etc.) except output drive capabilities. In order to ensure proper output levels and breakdown voltages it is necessary to provide supply voltages between  $-21V$  and  $-29V$ . At some point between  $-7V$  and  $-3V$ , the power fail latch becomes "set". All counters will then hold their count at least  $0.5V$  below this point. This ensures power failure indication before any count is lost. For proper power failure indication, power supply rise time should not exceed  $10 V/ms$ , since faster rise times may be faster than propagation delays within the latch circuitry.



## functional description (Continued)

**Line Frequency Input (pin 12):** A shaping circuit is provided to square the 60 Hz (MM5370) or 50 Hz (MM5371) input. This circuit allows use of a sinewave input. The Schmitt Trigger shaper (*Figure 2*) is designed to provide approximately 6V of hysteresis. A simple RC filter, such as shown in *Figure 8*, should be used to remove possible line-voltage transients that could cause the clock to gain time or damage the device. The shaper output drives a counter chain which performs the time-keeping function. A prescale counter divides the line input frequency to obtain a 1 pps timebase.

**Display Mode Select Inputs (pins 7 and 8):** In the absence of either of these inputs, the display drivers output time-of-day information to the display. Internal pull-down (to  $V_{DD}$ ) depletion loads allow use of simple SPST switches for connecting these inputs to  $V_{SS}$ , thereby selecting alternate display modes. If more than one mode is simultaneously selected, the priorities are noted in Table I. As shown in *Figure 1* the multiplexed code converter receives time, alarm and sleep information from appropriate points in the clock circuitry. The display mode select inputs control the gating of the desired data to the multiplexed code converter inputs and ultimately (via output drivers) to the display.

**Time Setting Inputs (pins 10 and 11):** Both fast and slow setting inputs are provided. These inputs are applied either singly or in combination to obtain the control functions listed in Table II. Again, internal pull-down depletion loads are provided; application of  $V_{SS}$  to these pins effects the control functions. Note that the control functions proper are determined by the selected display mode. An optional hold-time control function can be obtained as shown in *Figure 8*.

**Reset Input (pin 9):** Applying  $V_{SS}$  to this input results in resetting the timekeeping function of the clock; a pull-down depletion load is provided at this input. Time is reset to 12:00 AM in the 12-hour format, or 00:00 in the 24-hour format. See Table II.

**12 or 24-Hour Select Input (pin 13):** By leaving this pin unconnected, the clock is programmed to provide a 12-hour display format. This format provides for zero-blanking the most significant display digit (ten's of hours). An internal pull-down depletion load is again provided; connecting this pin to  $V_{SS}$  programs the 24-hour display format. (See *Figure 8*).

**Output Multiplexer Operation:** Depending upon the selected display mode (see Table I), outputs from the appropriate internal counter are time division multiplexed to provide digit-sequential access to the data. Thus, instead of requiring 28 leads to interconnect a 4-digit clock and its display (7-segments per digit), only 11 output leads are required. Note that the MM5370 and MM5371 actually provide 13 outputs (4-digit anode drive outputs plus 9 "segment" cathode drive outputs). The two additional "segment" drives are provided to accommodate displays which feature a colon and/or AM/PM indication. (See sections on pin 16 and pin 17). The multiplexed code converter and output drivers are controlled by a multiplex oscillator. The oscillator and external timing components set the

frequency of the multiplexing function. Each digit anode is sequentially enabled for a time equal to the period of one cycle of the multiplex oscillator frequency.

When driving gas discharge displays which enclose more than one digit in a common gas envelope, it is necessary to either (1) inhibit the segment drive voltage(s) for a short time during inter-digit transitions, or (2) avoid physically adjacent inter-digit transitions. The MM5370 and MM5371 clocks utilize an interlaced output sequence to eliminate the need for inter-digit blanking circuitry and to prevent display arcing problems. The digit sequence is: (1) digit no. 1 (ten's of hours), (2) digit no. 3 (ten's of minutes), (3) blank for one digit time, (4) digit no. 2 (unit hours), (5) digit no. 4 (unit minutes), (6) blank for one digit time, etc. The two blanking intervals are provided to recharge level-translating capacitors located in the display segment drive lines (see *Figure 8*). Both segment data and digit enables are blanked. *Figure 3* is a timing diagram which illustrates output timing.

**Multiplex Timing Input (pin 14):** The multiplex oscillator is shown in *Figure 4*. Adding an external resistor and capacitor to this circuit via the multiplex timing input produces a relaxation oscillator. The waveform at this input is a quasi-sawtooth that is squared by the shaping action of the Schmitt Trigger in *Figure 4*. *Figure 5* provides guidelines for selecting the external components relative to the desired multiplex frequency. *Figure 6* illustrates a method of synchronizing or driving the multiplex oscillator with an external timebase. The external RC timing components may be omitted and this input driven by an external timebase; the required logic levels are the same as the 60 Hz or 50 Hz input.

**Output Circuits:** All display output drivers are open-drain devices with sources common to  $V_{SS}$  (pin 5), see *Figure 7*. *Figure 8* illustrates interfacing the clock outputs and a gas discharge display.

**Brightness Control Input (pin 15):** Since display brightness is a function of cathode segment current, a capability of interrupting this current for a variable percentage of the digit interval results in a brightness control. Connecting this Schmitt Trigger input (see *Figure 2*) to  $V_{DD}$  places all cathode segment drive voltages at the high level, thereby inhibiting the display. Conversely,  $V_{SS}$  applied to this input enables the cathode segment drives. The Schmitt Trigger shaper provides approximately 1V of hysteresis, which facilitates using a waveform such as a sawtooth with a variable slope (or variable dc component) to effect the shaper output duty cycle and, therefore, the display brightness. The control waveform should be derived from the multiplex frequency; a circuit is included in *Figure 8*.

**Alarm Operation and Output (pin 2):** An alarm comparator (see *Figure 1*) senses coincidence between the alarm counters (the alarm setting) and the time counters (real time). The comparator output is used to set a latch in the alarm and sleep circuits. This latch enables the alarm output driver (see *Figure 7*), the output of which is used to control the external alarm sound generator. The alarm latch remains set for 59 minutes, during which the alarm will sound if the latch output is not

## functional description (Continued)

temporarily inhibited by another latch set by the snooze input (pin 1) or reset by the alarm "OFF" input (pin 3). Alarm time setting and resetting are outlined in Table II. When initially powered, alarm is in "OFF" state.

**Alarm "OFF" Input (pin 3):** Momentarily connecting this pin to  $V_{SS}$  resets the alarm latch and thereby silences the alarm. This input is also returned to  $V_{DD}$  by an internal depletion load. The momentary alarm "OFF" input also readies the alarm latch for the next alarm comparator output; the alarm will sound again in 24 hours (or at a new alarm setting). If it is desired to silence the alarm for a day or more, the alarm input should remain at  $V_{SS}$ .

**Snooze Timer Input (pin 1):** Momentarily connecting this pin to  $V_{SS}$  inhibits the alarm output for between 8 and 9 minutes, after which the alarm will again be sounded. This input is pulled to  $V_{DD}$  by an internal depletion load. The snooze feature may be repeatedly used during the 59 minutes in which the alarm latch remains set.

**Sleep Timer and Output (pin 4):** The sleep output at pin 4 can be used to turn off a radio (or other appliance) after a desired time interval of up to 59 minutes. The time interval is chosen by selecting the

sleep display mode (see Table I) and setting the desired time interval (see Table II). This automatically results in a current-source output via pin 4 which can be used to turn on a radio. When the sleep counter, which counts downwards, reaches 00 minutes a latch is reset and the sleep output drive current is removed, thereby turning off the radio. This turn off also may be manually controlled (at any time in the count-down) by a momentary  $V_{SS}$  connection to the snooze input (pin 1). This input is also returned to  $V_{DD}$  by a depletion load. The output circuitry is the same as the alarm output (see Figure 7).

**AM/PM Cathode Output (pin 16):** Current with this writing, gas-discharge clock displays are available with two types of AM/PM indications, (1) AM and PM indicators common to digits 3 and 4 respectively; and (2) a PM only indication common to digit 1. Figure 3 illustrates an AM/PM cathode drive output that is compatible with both display types. Note that this same output also provides a non-blinking (steady) colon drive common to digit two. Power failure is shown by turning off this output at a 1 Hz rate.

**Colon Cathode Output (pin 17):** As an optional indication of clock operation, some users may prefer to display a 1 Hz activity. As shown in Figure 3, a cathode drive output is provided to facilitate a blinking colon.

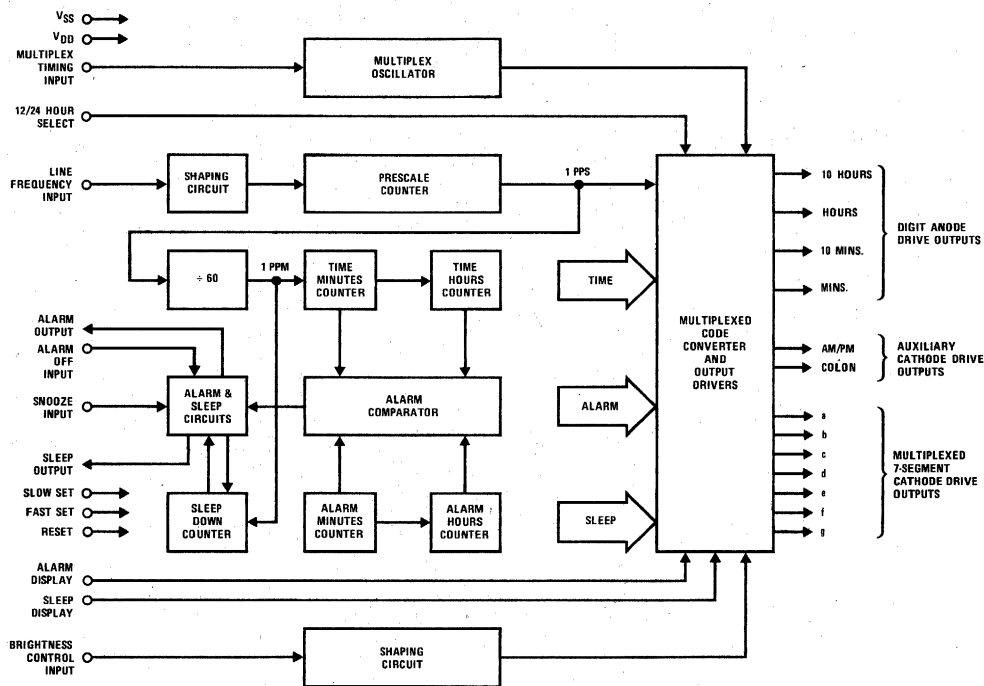


FIGURE 1. MM5370 and MM5371 Digital Alarm Clock, Block Diagram

functional description (Continued)

TABLE I. MM5370 and MM5371 Display Modes

| *SELECTED DISPLAY MODE | DIGIT NO. 1   | DIGIT NO. 2 | DIGIT NO. 3     | DIGIT NO. 4  |
|------------------------|---------------|-------------|-----------------|--------------|
| Time                   | 10's of Hours | Unit Hours  | 10's of Minutes | Unit Minutes |
| Alarm                  | 10's of Hours | Unit Hours  | 10's of Minutes | Unit Minutes |
| Sleep                  | Blanked**     | Blanked     | 10's of Minutes | Unit Minutes |

\* If more than one display mode input is applied, the display priorities are in the order of Sleep (overrides all others), Alarm, Seconds, Time (no other mode selected).

\*\* F segment is lit in 12-hour display mode. This may be eliminated by using circuit shown in Figure 9.

Table II. MM5370 and MM5371 Setting Control Functions

| SELECTED DISPLAY MODE | CONTROL INPUT | CONTROL FUNCTION                          |
|-----------------------|---------------|---|
| Time*                 | Slow          | Minutes Advance at 2 Hz Rate              |
|                       | Fast          | Minutes Advance at 60 Hz Rate             |
|                       | Both          | Minutes Advance at 60 Hz Rate             |
|                       | Reset         | Time Resets to 12:00 AM (12-hour format)  |
|                       | Reset         | Time Resets to 00:00 (24-hour format)     |
| Alarm                 | Slow          | Alarm Minutes Advance at 2 Hz Rate        |
|                       | Fast          | Alarm Minutes Advance at 60 Hz Rate       |
|                       | Both          | Alarm Resets to 12:00 AM (12-hour format) |
|                       | Both          | Alarm Resets to 00:00 (24-hour format)    |
| Sleep                 | Slow          | Subtracts Count at 2 Hz Rate              |
|                       | Fast          | Subtracts Count at 60 Hz Rate             |
|                       | Both          | Subtracts Count at 60 Hz Rate             |

\*When setting time sleep minutes will decrement at rate of time counter, until the sleep counter reaches 00 minutes (sleep counter will not recycle).

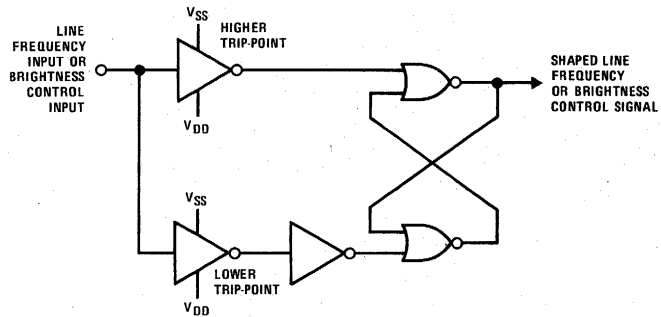


FIGURE 2. 60 Hz (or 50 Hz) Input (or Brightness Control Input) Shaping Circuit

functional description (Continued)

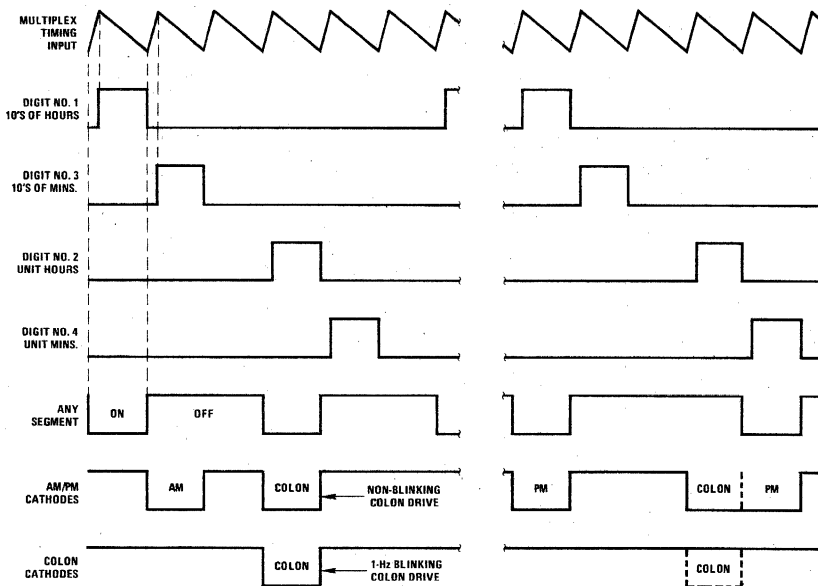


FIGURE 3. Output Timing Diagram

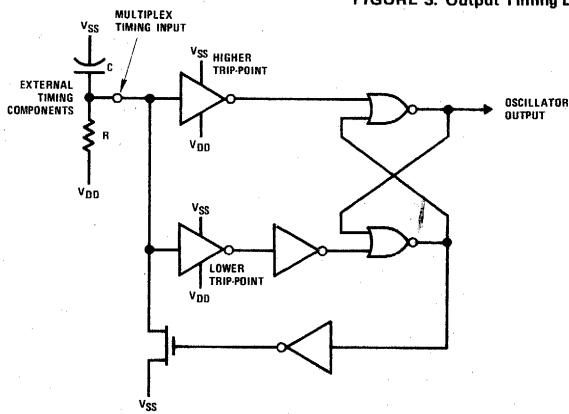


FIGURE 4. Multiplex Oscillator Circuit

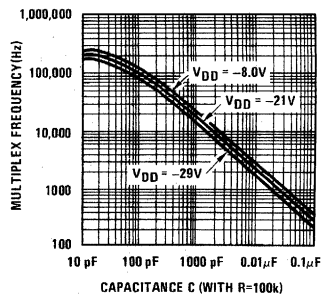


FIGURE 5. Multiplex Timing Component Selection Guide (Typical Only)

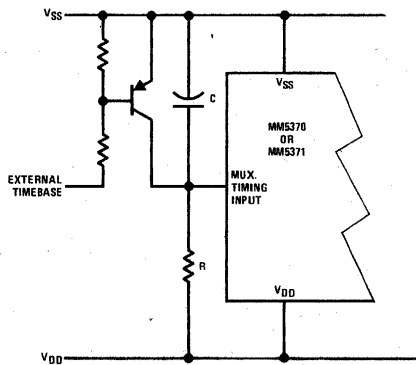


FIGURE 6. Synchronizing or Driving Multiplex Oscillator

**Note 1:** For synchronizing, free running period should be set to run slightly longer than external timebase over temperature.

**Note 2:** For driving, timing capacitor should be deleted.





## MM5375XX series clocks

### general description

MM5375XX series clock is a monolithic MOS integrated circuit utilizing P-channel low threshold enhancement-mode and ion-implanted depletion-mode devices. It provides all the logic required to give a 4 or 6-digit 12-hour or 24-hour display from a 50 or 60 Hz input. An auxiliary counter allows various options. Available options have been listed under features. Power failure indication is provided to inform the user that incorrect time is being displayed. Setting time cancels this indication. MM5375XX is available in a 24-lead dual-in-line epoxy package.

### features

- Single power supply
- Low power dissipation
- All counters resettable
- Fast and slow set controls
- Power failure indication

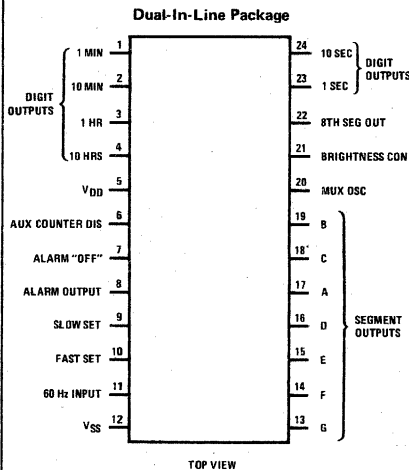
- Brightness control capability
- No illegal time display at turn-on
- Simple interface to gas discharge displays and LED's
- Internal digit multiplex oscillator
- Leading zero blanking
- Activity indicator
- 4 to 6-digit operation
- Available options<sup>†</sup>

### application

- Alarm clocks
- Desk clocks
- Automobile clocks
- Industrial clocks
- Date clocks
- Minute timer clocks
- Seconds timer clocks

### connection diagram

### available options table<sup>†</sup>



| FEATURE                 | FUNCTION  | OPTION NAME |    |     |     |     |    |     |     |     |
|-------------------------|---|-------------|----|-----|-----|-----|----|-----|-----|-----|
|                         |   | AA          | AB | AC  | AD  | AE  | AG | AH  | AI  | AJ  |
| Input Frequency         | 60 Hz<br>50 Hz  | •           | •  | •   | •   | •   | •  | •   | •   | •   |
| Time Display            | 12-Hour<br>24-Hour  | •           | •  | •   | •   | •   | •  | •   | •   | •   |
| Auxiliary Counter       | Alarm Counter<br>Date Counter<br>Minute Timer<br>Second Timer | •           | •  | •   | •   | •   | •  | •   | •   | •   |
| Alarm Signal            | Tone *<br>DC Level  | •           | •  | N/A | N/A | N/A | •  | N/A | •   | •   |
| Alarm Output            | Modulated at 2 Hz<br>Not Modulated                            | •           | •  | N/A | N/A | N/A | •  | N/A | •   | •   |
| Alarm at Power Failure  | "ON"<br>"OFF"   | •           | •  | N/A | N/A | N/A | •  | N/A | •   | •   |
| Segment Output Polarity | VSS for Display<br>VDD for Display                            | •           | •  | •   | •   | •   | •  | •   | •   | •   |
| AM or PM Indication     | "OFF" During Time Display<br>Displayed at All Times           | •           | •  | N/A | N/A | •   | •  | •   | N/A | N/A |
| 8th Segment Blanked     | Yes<br>No   | •           | •  | N/A | N/A | N/A | •  | N/A | •   | •   |

\*Tone is 1/6 multiplex frequency

Order Number MM5375XXN  
See Package 22

**absolute maximum ratings**

|  |                                   |
|--|-----------------------------------|
| Voltage at Any Pin                       | $V_{SS} + 0.3V$ to $V_{SS} - 30V$ |
| Voltage at Any Display Output Pin        | $V_{SS} + 0.3V$ to $V_{SS} - 55V$ |
| Operating Temperature                    | $-25^{\circ}C$ to $+70^{\circ}C$  |
| Storage Temperature                      | $-65^{\circ}C$ to $+150^{\circ}C$ |
| Lead Temperature (Soldering, 10 seconds) | $300^{\circ}C$                    |

**electrical characteristics**

$T_A$  within operating range,  $V_{SS} = 0V$ ,  $V_{DD} = -21V$  to  $-29V$  unless otherwise specified.

| PARAMETER                            | CONDITIONS                                    | MIN          | TYP      | MAX          | UNITS   |
|--------------------------------------|---|--------------|----------|--------------|---------|
| Power Supply Voltage ( $V_{DD}$ )    | Excluding Outputs                             | -8.0         |          | -29          | V       |
|                                      | Outputs Driving Displays                      | -21          |          | -29          | V       |
| Power Supply Current                 | Excluding Outputs                             |              |          | 8.0          | mA      |
| 60 Hz Input                          |   |              |          |              |         |
| Frequency                            |   | DC           | 50/60    | 30k          | Hz      |
| Logical High                         |   | $V_{SS}-1.0$ | $V_{SS}$ | $V_{SS}$     | V       |
| Logical Low                          |   | $V_{DD}$     | $V_{DD}$ | $V_{DD}+1.0$ | V       |
| Brightness Control Range             | Determined by External R and C,<br>(Figure 2) | 0            |          | 95           | %       |
| % of Digit Time                      |   |              |          |              |         |
| Multiplex Oscillator Frequency Input | Determined by External R and C,<br>(Figure 2) | DC           |          | 30           | kHz     |
| All Other Input Voltages             |   |              |          |              |         |
| Logical High Level                   |   | $V_{SS}-1.0$ | $V_{SS}$ | $V_{SS}$     | V       |
| Logical Low Level                    |   | $V_{DD}$     | $V_{DD}$ | $V_{DD}+2.0$ | V       |
| Power Failure Detect Voltage         | ( $V_{DD}$ Voltage)                           | -1.0         |          | -8.0         | V       |
| Output Current                       | $V_{DD} = -21V$ to $-29V$                     |              |          |              |         |
| Digit Select Outputs                 | $V_{SS} = 0V$                                 |              |          |              |         |
| Logical High, Source                 | $V_{OH} = V_{SS} - 5V$                        | 8.0          |          |              | mA      |
| Logical Low, Leakage                 | $V_{OL} = V_{SS} - 45V$                       |              |          | 40           | $\mu A$ |
| Segment Outputs                      |   |              |          |              |         |
| Logical High, Source                 | $V_{OH} = V_{SS} - 5V$                        | 2.0          |          |              | mA      |
| Logical Low, Leakage                 | $V_{OL} = V_{SS} - 45V$                       |              |          | 10           | $\mu A$ |
| Alarm Output                         |   |              |          |              |         |
| Logical High, Source                 | $V_{OH} = V_{SS} - 2V$                        | 1.5          |          |              | mA      |
| Logical Low, Sink                    | $V_{OL} = V_{DD} + 2V$                        | 1            |          |              | $\mu A$ |

**functional description**

A block diagram of the MM5375XX series of clocks is shown in Figure 1. The display modes are listed in Table I. The functions of the setting controls are listed in Table II. The following discussions are based on Figure 1.

**60 Hz Input (Pin 11):** A shaping circuit is provided to square the 60 Hz input (50 Hz optional). This circuit allows use of a filtered sinewave input. The circuit is a Schmitt trigger that is designed to provide about 3V of hysteresis. The shaper output drives a counter chain which performs the timekeeping function.

**Time Setting Inputs (Pins 9 and 10):** The time setting control functions are affected by the application of  $V_{SS}$  to these 2 pins, which are internally pulled to the power

supply. Activating Fast Set (pin 10) causes the minutes counter to advance at a 60 Hz rate, thus clocking the hours counter at a rate of 1 hour per second. Slow Set (pin 9) advances the minutes counter at a rate of 2 minutes per second. Activating either Fast Set or Slow Set resets the seconds counter to zero. When Fast Set and Slow Set are activated simultaneously, all counters are reset to 12:00 p.m. and remain in that count until Slow Set is deactivated. The 2 time setting inputs affect only the counters that are displayed (either the timekeeping counters or the alarm counters).

**8-Segment Test (Pin 24):** For testing purposes, all 8-segment output lines may be activated by connecting pin 24 (S10 digit output) to  $V_{SS}$ .

## functional description (Continued)

**Brightness Control (Pin 21):** In LED applications, brightness of the display may be varied by use of an external time constant. This time constant is used in the integrated circuit to control the pulse width or duty cycle of the 6-digit enable outputs, (Figure 2). In gas discharge applications, connect as shown in Figure 3.

**Activity Indication (Pin 23):** When all 6 digits are being used, it is not necessary to blink the colon to indicate operation of the clock, because the seconds digits provide this information. When only 4 digits are in use, the S1 digit (pin 23) may be connected to V<sub>SS</sub>. In this case, the colon flashes at a 1 Hz rate.

**Multiplex Frequency (Pin 20):** Applying an external time constant to this pin allows the multiplex frequency to be adjusted, (Figure 2).

**Power Failure Indication:** If the power to the integrated circuit drops, indicating a momentary ac power failure and possible loss of clock, the AM or PM and colon indicator will flash at a 2 Hz rate. If power drops completely, the clock will reset itself (on resumption of power) to a legal state, and the AM or PM and colon indicators will flash at a 2 Hz rate. In addition to the flashing AM or PM and colon indicator, if a power failure occurs when alarm "OFF" (pin 7) is at V<sub>DD</sub> (logical "0"), the alarm output will be activated (non-activated optional). A logical "1" (V<sub>SS</sub>) on pin 7 will deactivate the alarm signal.

**8-Segment Outputs (Pins 13–19 and 22):** These outputs contain multiplexed information for the display of 7-segment numerical readouts. The 8th segment is for the activation of AM/PM and colon(s) as included in the gas discharge displays for which these outputs are designed.

**4-Digit Operation:** Connect pin 23 to V<sub>SS</sub>.

**Digit Enable Outputs (Pin 1–4, 23 and 24):** These outputs are used to select the 6 digits and are synchronized with the segment outputs. If pin 23 is grounded, segment outputs will be blanked during the scanning of the seconds digits.

**Auxiliary Counter: Alarm Counter Option:** In this option, the auxiliary counter is programmed and used as an alarm counter. Pin 6 serves as both alarm display and snooze input pin. Alarm counter is displayed when pin 6 is held at V<sub>SS</sub>. Alarm setting (Table II) is done using alarm display, Fast Set (pin 10) and Slow Set (pin 9). If the alarm "OFF" input (pin 7) is open and whenever

the real time matches with the alarm time, the alarm comparator sets the alarm latch. This latch activates the alarm output (pin 8). The alarm will remain activated until the alarm "OFF" input is connected to V<sub>SS</sub> temporarily. This readies the alarm latch for next comparison. To deactivate the alarm output for more than 24 hours, the alarm "OFF" input is held at V<sub>SS</sub> for that long. When the alarm output is active, connecting pin 6 to V<sub>SS</sub> will interrupt the alarm signal for 6 to 8 minutes (snooze function).

**Auxiliary Counter: Date Counter Option:** In this option, the auxiliary counter is programmed and used as a month and day counter. The day counter counts up to 31 days and increments the month counter. The day counter rolls over from 31 to 1. The month counter counts up to 12 and rolls over to 1. The date counter can be displayed by connecting date display (pin 6) to V<sub>SS</sub>. The effects of Fast and Slow Set controls are shown in Table II. In this option, do not use the alarm output (pin 8).

**Auxiliary Counter: Timer Option:** In this option, the auxiliary counter is programmed and used as a timer counter. When the display pin 6 is connected to V<sub>SS</sub>, the elapsed time from the previous setting is displayed. The following sequence describes the use of the product as a minute (or seconds) timer.

1. Hold display pin 6 at V<sub>SS</sub>.
2. Hold both Fast and Slow Set controls at V<sub>SS</sub>.  
Note: This will reset the timer counter to 12:00 in 12-hour mode and 00:00 in 24-hour mode.
3. Release both the Fast and Slow Set controls simultaneously.  
Note: The timer counter starts counting minutes (or seconds).
4. If it is required to monitor elapsed time continuously, retain the display pin 6 at V<sub>SS</sub>. Otherwise, release pin 6.
5. Elapsed time can be displayed any time by holding pin 6 at V<sub>SS</sub>.

In this option, the clock can be used for up to 12 hours (12 minutes in seconds timer) of elapsed time in 12-hour mode and 24 hours (24 minutes in seconds timer) of elapsed time in 24-hour mode. The effect of Fast and Slow Set controls are listed in Table II. In these options, do not use the alarm output (pin 8).

**Accuracy of Elapsed Time:** Elapsed time = displayed time  $\pm$  1 minute (or second).

TABLE I. Display Modes

| SELECTED DISPLAY MODE | DIGIT NO. 1     | DIGIT NO. 2   | DIGIT NO. 3     | DIGIT NO. 4   | DIGIT NO. 5     | DIGIT NO. 6   |
|-----------------------|-----------------|---------------|-----------------|---------------|-----------------|---------------|
| Time Display          | 10's of Hours   | Units Hours   | 10's of Minutes | Units Minutes | 10's of Seconds | Units Seconds |
| Alarm Display         | 10's of Hours   | Units Hours   | 10's of Minutes | Units Minutes | φ               | φ             |
| Date Display          | Month           | Month         | Date            | Date          | φ               | φ             |
| Minute Timer Display  | 10's of Hours   | Units Hours   | 10's of Minutes | Units Minutes | φ               | φ             |
| Second Timer Display  | 10's of Minutes | Units Minutes | 10's of Seconds | Units Seconds | φ               | φ             |



functional description (Continued)

TABLE II. Setting Control Functions

| SELECTED DISPLAY MODE | CONTROL INPUT | CONTROL FUNCTION  |
|-----------------------|---------------|---|
| Time Display          | Slow          | Minutes advance at a 2.0 Hz rate and seconds are held at a reset (00) condition |
|                       | Fast          | Minutes advance at 60 Hz rate and seconds are held at a reset (00) condition    |
|                       | Both          | Time resets to 12:00:00 p.m. (12-hour mode) or 00:00:00 (24-hour mode)          |
| Alarm Display         | Slow          | Alarm minutes advance at a 2.0 Hz rate  |
|                       | Fast          | Alarm minutes advance at a 60 Hz rate   |
|                       | Both          | Alarm resets to 12:00 p.m. (12-hour mode) or 00:00 (24-hour mode)               |
| Date Display          | Slow          | Date advances at a 2.0 Hz rate  |
|                       | Fast          | Date advances at a 60 Hz rate   |
|                       | Both          | Date counter resets to 12:00  |
| Minute Timer Display  | Slow          | Minutes (auxiliary counter) advance at a 2.0 Hz rate                            |
|                       | Fast          | Minutes (auxiliary counter) advance at a 60 Hz rate                             |
|                       | Both          | Timer counter resets to 12:00 (12-Hour mode) or 00:00 (24-hour mode)            |
| Second Timer Display  | Slow          | Seconds (auxiliary counter) advance at a 2.0 Hz rate                            |
|                       | Fast          | Seconds (auxiliary counter) advance at a 60 Hz rate                             |
|                       | Both          | Timer counter resets to 12:00 (12-hour mode) or 00:00 (24-hour mode)            |

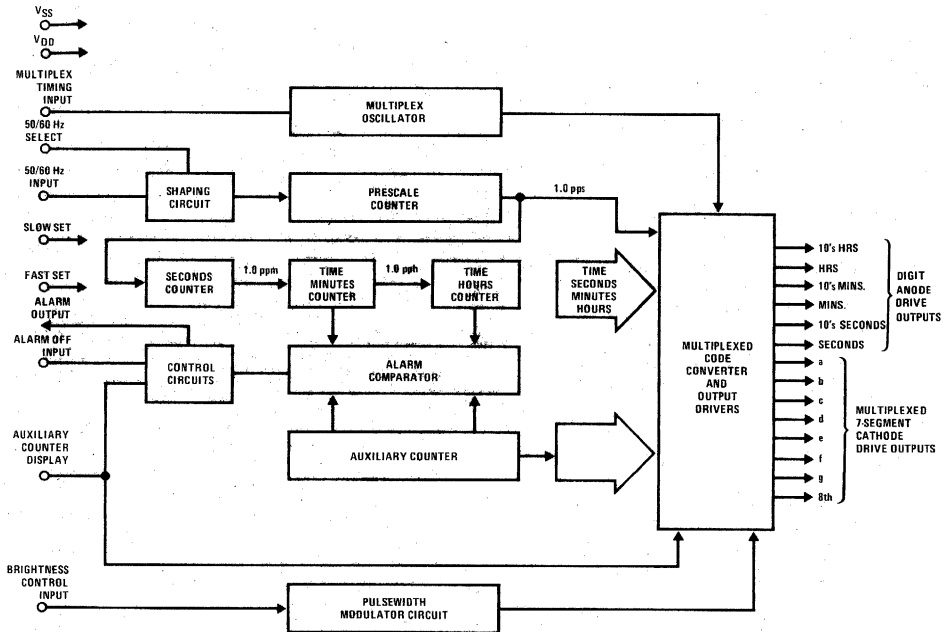


FIGURE 1. Block Diagram

functional description (Continued)

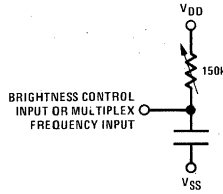


FIGURE 2

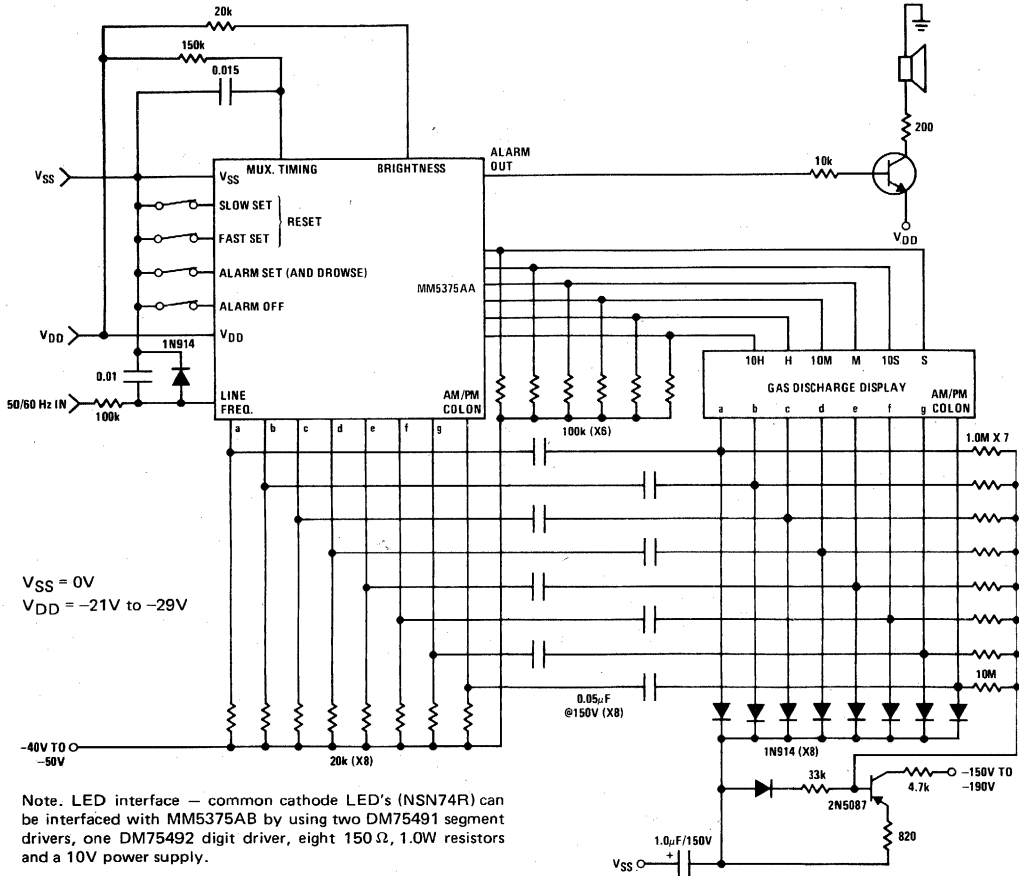


FIGURE 3. Typical Application

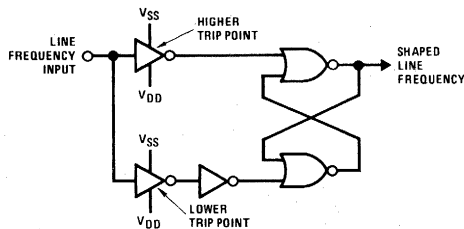


FIGURE 4. 50 or 60 Hz Shaping Circuit

functional description (Continued)

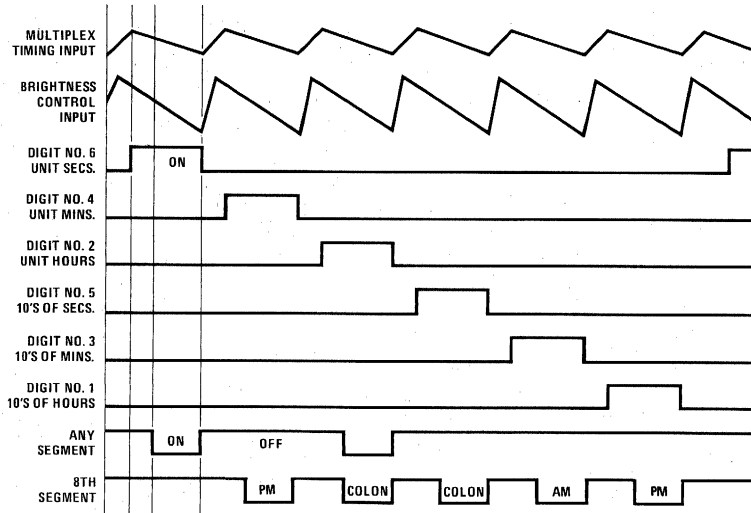


FIGURE 5. Output Timing Diagram



## MM5376XX series clocks

### general description

MM5376XX series clock is a monolithic MOS integrated circuit utilizing P-channel, low threshold, enhancement-mode and ion-implanted depletion-mode devices. It provides all the logic required to give a 4 or 6-digit 12-hour or 24-hour display from a 50 or 60 Hz input. An auxiliary counter allows various options. Available options have been listed under features. Power failure indication is provided to inform the user that incorrect time is being displayed. Setting time cancels this indication. MM5376XX is available in a 24-lead dual-in-line epoxy package.

### features

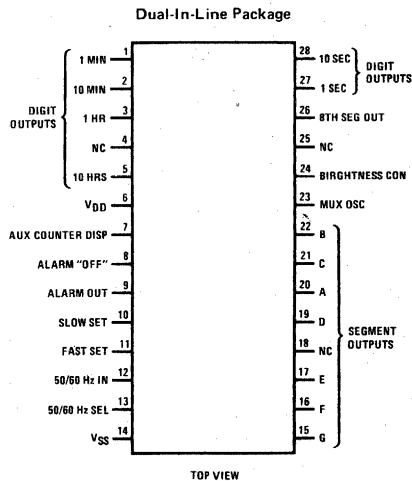
- 50 or 60 Hz operation
- Single power supply
- Low power dissipation
- All counters resettable
- Fast and slow set controls
- Power failure indication

- Brightness control capability
- No illegal time display at turn-on
- Simple interface to gas discharge displays and LED's
- Internal digit multiplex oscillator
- Leading zero blanking
- Activity indicator
- 4 to 6-digit operation
- Available options<sup>†</sup>

### application

- Alarm clocks
- Desk clocks
- Automobile clocks
- Industrial clocks
- Two time zone clocks
- Date clocks
- Minute timer clocks
- Seconds timer clocks

### connection diagram



**Note 1:** 50 Hz input at pin 12 connect pin 13 to V<sub>DD</sub>.  
**Note 2:** 60 Hz input at pin 12 connect pin 13 to V<sub>SS</sub>.

Order Number MM5376XXN  
 See Package 23

### available options table<sup>†</sup>

| FEATURE                                  | FUNCTION                  | OPTION NAME |    |     |     |     |     |
|--|---------------------------|-------------|----|-----|-----|-----|-----|
|  |                           | AA          | AB | AD  | AE  | AG  | AH  |
| Input Frequency                          | 60 Hz                     | •           | •  | •   | •   | •   | •   |
|  | 50 Hz                     | •           | •  | •   | •   | •   | •   |
| Time Display                             | 12-Hour                   | •           | •  | •   | •   | •   | •   |
|  | 24-Hour                   | •           | •  | •   | •   | •   | •   |
| Auxiliary Counter                        | Alarm Counter             | •           | •  |     |     | •   |     |
|  | Date Counter              |             |    |     |     |     | •   |
|  | Minute Timer              |             |    | •   |     |     |     |
|  | Second Timer              |             |    |     | •   |     |     |
| Alarm Signal                             | Tone*                     | •           | •  | N/A | N/A | •   | N/A |
|  | DC Level                  |             |    | N/A | N/A |     | N/A |
| Alarm Output                             | Modulated at 2 Hz         | •           | •  | N/A | N/A | •   | N/A |
|  | Not Modulated             |             |    | N/A | N/A |     | N/A |
| Alarm at Power Failure                   | "ON"                      | •           | •  | N/A | N/A | •   | N/A |
|  | "OFF"                     |             |    | N/A | N/A |     | N/A |
| Segment Output Polarity                  | VSS for Display           |             | •  | •   |     | •   | •   |
|  | VDD for Display           | •           |    |     | •   |     |     |
| AM or PM Indication                      | "OFF" During Time Display | •           | •  |     | N/A |     |     |
|  | Displayed at All Times    |             |    |     | •   | N/A | •   |
| 8th Segment Blanked During Alarm Display | Yes                       |             |    | N/A | N/A |     | N/A |
|  | No                        | •           | •  | N/A | N/A | •   | N/A |

\*Tone is '16 multiplex frequency

## absolute maximum ratings

|  |                                   |
|--|-----------------------------------|
| Voltage at Any Pin                       | $V_{SS} + 0.3V$ to $V_{SS} - 30V$ |
| Voltage at Any Display Output Pin        | $V_{SS} + 0.3V$ to $V_{SS} - 55V$ |
| Operating Temperature                    | $-25^{\circ}C$ to $+70^{\circ}C$  |
| Storage Temperature                      | $-65^{\circ}C$ to $+150^{\circ}C$ |
| Lead Temperature (Soldering, 10 seconds) | $300^{\circ}C$                    |

## electrical characteristics

$T_A$  within operating range,  $V_{SS} = 0V$ ,  $V_{DD} = -8V$  to  $-29V$  unless otherwise specified.

| PARAMETER                                | CONDITIONS                                   | MIN          | TYP      | MAX           | UNITS   |
|--|--|--------------|----------|---------------|---------|
| Power Supply Current                     | Excluding Outputs                            |              |          | 8.0           | mA      |
| 50/60 Hz Input Frequency                 |  | DC           | 60/50    | 10k           | Hz      |
| Logic High                               |  | $V_{SS}-1.0$ |          | $V_{SS}$      | V       |
| Logic Low                                |  |              | $V_{DD}$ | $V_{SS}-15.0$ | V       |
| Brightness Control Range % of Digit Time | Determined by External R and C<br>(Figure 2) | 0            |          | 95            | %       |
| Multiplex Oscillator Frequency Input     | Determined by External R and C<br>(Figure 2) | DC           |          | 10            | kHz     |
| All Other Input Voltages                 |  |              |          |               |         |
| Logic High Level                         |  | $V_{SS}-1.0$ | $V_{SS}$ | $V_{SS}$      | V       |
| Logic Low Level                          |  |              | $V_{DD}$ | $V_{SS}-15.0$ | V       |
| Power Failure Detect Voltage             | ( $V_{DD}$ Voltage)                          | -1.0         |          | -8.0          | V       |
| Output Current Levels                    | $V_{DD} = -21V$ to $-29V$                    |              |          |               |         |
| Digit Select Outputs                     | $V_{SS} = 0V$                                |              |          |               |         |
| Logic High, Source                       | $V_{OH} = V_{SS} - 5.0V$                     | 8.0          |          |               | mA      |
| Logic Low, Leakage                       | $V_{OL} = V_{SS} - 45V$                      |              |          | 40            | $\mu A$ |
| Segment Outputs                          |  |              |          |               |         |
| Logic High, Source                       | $V_{OH} = V_{SS} - 5.0V$                     | 2.0          |          |               | mA      |
| Logic Low, Leakage                       | $V_{OL} = V_{SS} - 45V$                      |              |          | 10            | $\mu A$ |
| Alarm Output                             |  |              |          |               |         |
| Logic High, Source                       | $V_{OH} = V_{SS} - 2.0V$                     | 1.5          |          |               | mA      |
| Logic Low, Sink                          | $V_{OL} = V_{DD} + 2.0V$                     | 1.0          |          |               | $\mu A$ |

## functional description

A block diagram of the MM5376XX series of alarm clocks is shown in *Figure 1*. The two display modes are listed in Table I. The functions of the setting controls are listed in Table II. The following discussions are based on *Figure 1*.

**50 or 60 Hz Input (Pin 12):** A shaping circuit is provided to square the 50 or 60 Hz input. This circuit

allows use of a filtered sinewave input. The circuit is a Schmitt trigger that is designed to provide about 3.0V of hysteresis. The shaper output drives a counter chain which performs the timekeeping function.

**50 or 60 Hz Select (Pin 13):** 50 or 60 Hz input at pin 12 is selected by pin 13. 50 Hz operation is selected by connecting pin 13 to  $V_{DD}$  (pin 6) and 60 Hz operation is selected by connecting pin 13 to  $V_{SS}$  (pin 14).

## functional description (Continued)

**Time Setting Inputs (Pins 10 and 11):** The time setting control functions are affected by the application of  $V_{SS}$  to these two pins, which are internally pulled to the power supply. Activating Fast Set (pin 11) causes the minutes counter to advance at 50 or 60 Hz rate, thus clocking the hours counter at a rate of one hour per second. Slow Set (pin 10) advances the minutes counter at a rate of 2 minutes per second. Activating either Fast Set or Slow Set resets the seconds counter to zero. When Fast Set and Slow Set are activated simultaneously, all counters are reset to 12:00 p.m. and remain in that count until Slow Set is deactivated. The two time setting inputs affect only the counters that are displayed (either the timekeeping counters or the alarm counters).

**8-Segment Test (Pin 28):** For testing purposes, all 8-segment output lines may be activated by connecting pin 24 (S10 digit output) to  $V_{SS}$ .

**Brightness Control (Pin 24):** In LED applications, brightness of the display may be varied by use of an external time constant. This time constant is used in the integrated circuit to control the pulse width or duty cycle of the 6-digit enable outputs (Figure 2). In gas discharge applications, connect as shown in Figure 3.

**Activity Indication (Pin 27):** When all 6 digits are being used, it is not necessary to blink the colon to indicate operation of the clock, because the seconds digits provide this information. When only 4 digits are in use, the S1 digit (pin 27) may be connected to  $V_{SS}$ . In this case, the colon flashes at a 1.0 Hz rate.

**Multiplex Frequency (Pin 23):** Applying an external time constant to this pin allows the multiplex frequency to be adjusted. See Figure 2.

**Power Failure Indication:** If the power to the integrated circuit drops, indicating a momentary ac power failure and possible loss of clock, the AM or PM and colon indicator will flash at a 2.0 Hz rate. If power drops

completely, the clock will reset itself (on resumption of power) to a legal state, and the AM or PM and colon indicators will flash at a 2.0 Hz rate. In addition to the flashing AM or PM and colon indicator, if a power failure occurs when alarm "OFF" (pin 8) is at  $V_{DD}$  (logic "0"), the alarm output will be activated (non-activated optional). A logic "1" ( $V_{SS}$ ) on pin 8 will deactivate the alarm signal.

**8-Segment Outputs (Pins 15–17, 19–22 and 26):** These outputs contain multiplexed information for the display of 7-segment numerical readouts. The eighth segment is for the activation of AM/PM and colon(s) as included in the gas discharge displays for which these outputs are designed.

**4-Digit Operation:** Connect pin 23 to  $V_{SS}$ .

**Digit Enable Outputs (Pins 1–3, 5, 27 and 28):** These outputs are used to select the 6 digits and are synchronized with the segment outputs. If pin 27 is grounded, segment outputs will be blanked during the scanning of the seconds digits.

**Auxiliary Counter, Alarm Counter Option:** In this option, the auxiliary counter is programmed and used as an alarm counter. Pin 7 serves as both alarm display and snooze input pin. Alarm counter is displayed when pin 7 is held at  $V_{SS}$ . Alarm setting (Table II) is done using Alarm Display, Fast Set (pin 11) and Slow Set (pin 10). If the alarm "OFF" input (pin 8) is open and whenever the real time matches with the alarm time, the alarm comparator sets the alarm latch. This latch activates the alarm output (pin 9). The alarm will remain activated until the alarm "OFF" input is connected to  $V_{SS}$  temporarily. This readies the alarm latch for next comparison. To deactivate the alarm output for more than 24 hours, the alarm "OFF" input is held at  $V_{SS}$  for that long. When the alarm output is active, connecting pin 7 to  $V_{SS}$  will interrupt the alarm signal for 6 to 8 minutes (snooze function).

TABLE I. Display Modes

| SELECTED DISPLAY MODE | DIGIT NO. 1     | DIGIT NO. 2   | DIGIT NO. 3     | DIGIT NO. 4   | DIGIT NO. 5     | DIGIT NO. 6   |
|-----------------------|-----------------|---------------|-----------------|---------------|-----------------|---------------|
| Time Display          | 10's of Hours   | Units Hours   | 10's of Minutes | Units Minutes | 10's of Seconds | Units Seconds |
| Alarm Display         | 10's of Hours   | Units Hours   | 10's of Minutes | Units Minutes | φ               | φ             |
| Date Display          | Month           | Month         | Date            | Date          | φ               | φ             |
| Minute Timer Display  | 10's of Hours   | Units Hours   | 10's of Minutes | Units Minutes | φ               | φ             |
| Second Timer Display  | 10's of Minutes | Units Minutes | 10's of Seconds | Units Seconds | φ               | φ             |

functional description (Continued)

TABLE II. Setting Control Functions

| SELECTED DISPLAY MODE | CONTROL INPUT | CONTROL FUNCTION  |
|-----------------------|---------------|---|
| Time Display          | Slow          | Minutes advance at 2.0 Hz rate and seconds are held at a reset (00) condition |
|                       | Fast          | Minutes advance at 60 Hz rate and seconds are held at a reset (00) condition  |
|                       | Both          | Time resets to 12:00:00 p.m. (12-hour mode) or 00:00:00 (24-hour mode)        |
| Alarm Display         | Slow          | Alarm minutes advance at a 2.0 Hz rate  |
|                       | Fast          | Alarm minutes advance at a 60 Hz rate   |
|                       | Both          | Alarm resets to 12:00 p.m. (12-hour mode) or 00:00 (24-hour mode)             |
| Date Display          | Slow          | Date advances at a 2.0 Hz rate  |
|                       | Fast          | Date advances at a 60 Hz rate   |
|                       | Both          | Date counter resets to 12:00  |
| Minute Timer Display  | Slow          | Minutes (auxiliary counter) advance at a 2.0 Hz rate                          |
|                       | Fast          | Minutes (auxiliary counter) advance at a 60 Hz rate                           |
|                       | Both          | Timer counter resets to 12:00 (12-Hour mode) or 00:00 (24-hour mode)          |
| Second Timer Display  | Slow          | Seconds (auxiliary counter) advance at a 2.0 Hz rate                          |
|                       | Fast          | Seconds (auxiliary counter) advance at a 60 Hz rate                           |
|                       | Both          | Timer counter resets to 12:00 (12-hour mode) or 00:00 (24-hour mode)          |

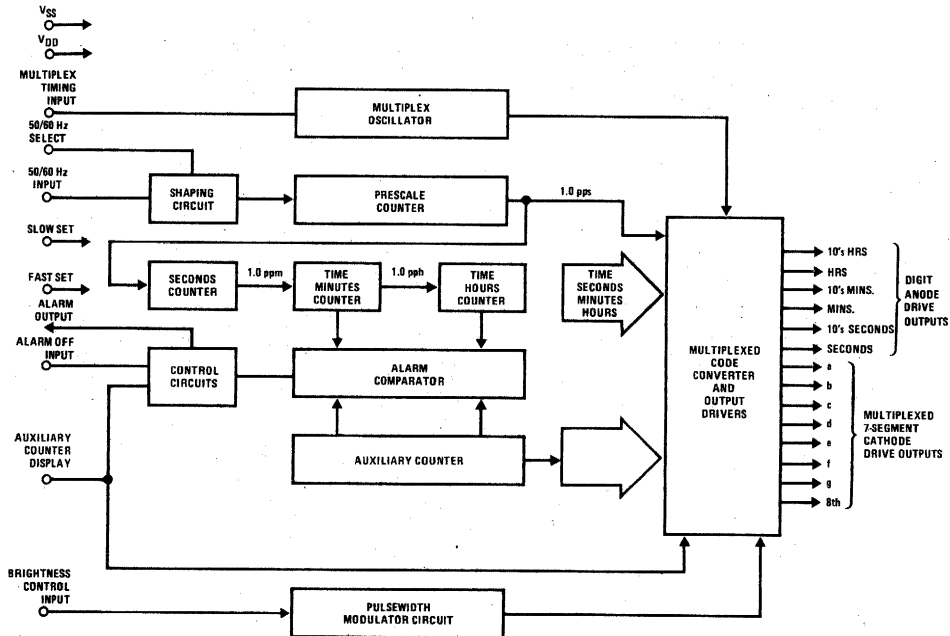


FIGURE 1. Block Diagram

functional description (Continued)

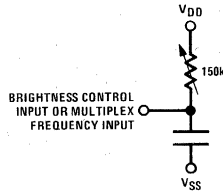


FIGURE 2

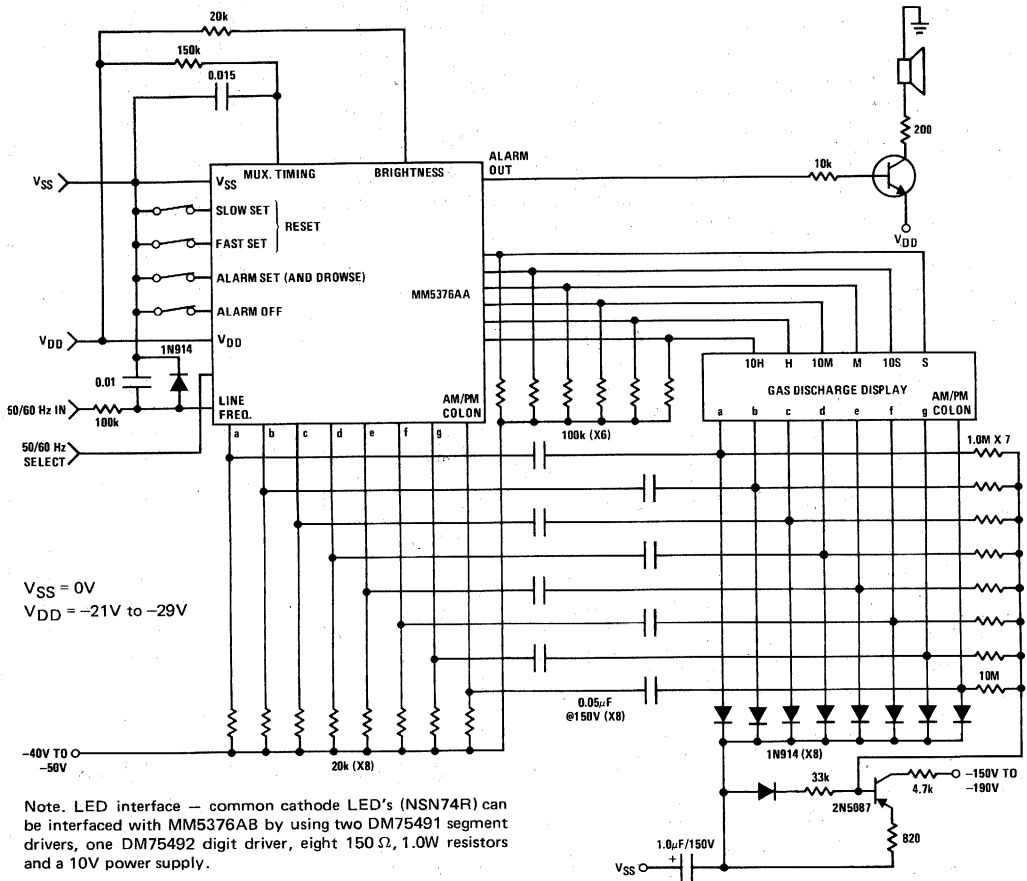


FIGURE 3. Typical Application

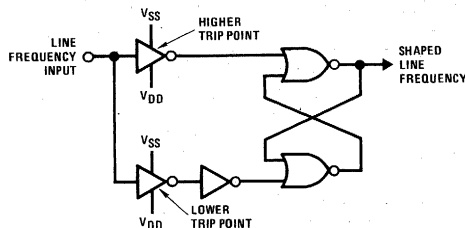


FIGURE 4. 50 or 60 Hz Shaping Circuit



functional description (Continued)

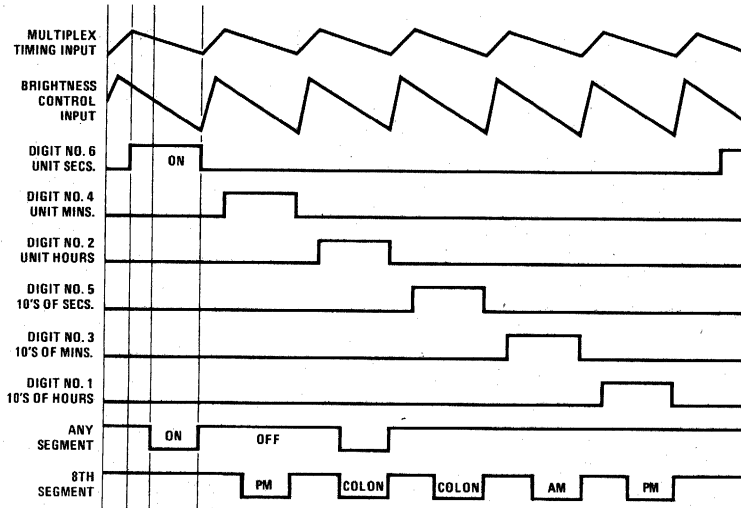


FIGURE 5. Output Timing Diagram



## MM5377 auto clock

### general description

The MM5377 Auto Clock is a monolithic MOS integrated circuit utilizing P-channel low-threshold, enhancement mode and ion-implanted depletion mode devices. The circuit interfaces directly with liquid crystal 4 digit displays and fluorescent tubes. The display format is 12 hours with leading-zero blanking and colon indication. A voltage sensitive output is provided that drives an energy storage network which performs as a voltage doubler/regulator. The circuit uses a 2 MHz crystal oscillator as the reference time base and is packaged in a 40 lead dual-in-line package.

- Leading zero blanking
- Hours and minutes set controls
- Crystal tuner output
- Voltage doubler control output
- Elimination of illegal time display at turn-on
- Direct interface to liquid crystal display
- Direct interface to fluorescent tubes
- Low standby power dissipation

### features

- Crystal controlled oscillator (2.097152 MHz)
- 12 hour display format
- Colon output

### applications

- Automobile clocks
- Desk clocks
- Portable clocks
- High accuracy clocks

1

### block and connection diagrams

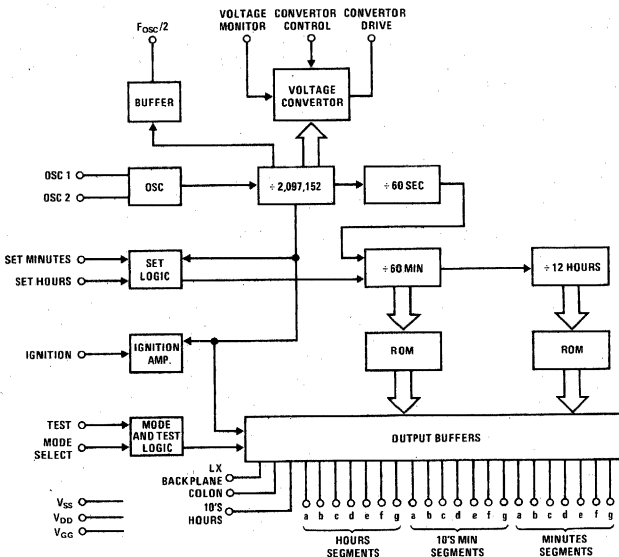
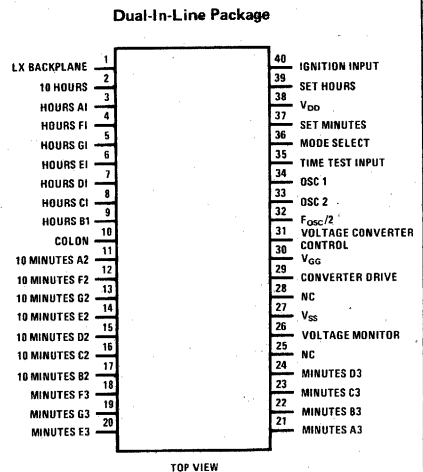


FIGURE 1.



Order Number 5377N  
See Package 24

FIGURE 2.

**absolute maximum ratings**

|  |                                   |
|--|-----------------------------------|
| Voltage at $V_{GG}$ Pin                  | $V_{SS} + 0.3V$ to $V_{SS} - 30V$ |
| Voltage at Any Pin                       | $V_{SS} + 0.3V$ to $V_{SS} - 24V$ |
| Operating Temperature                    | $-40^{\circ}C$ to $+85^{\circ}C$  |
| Storage Temperature                      | $-65^{\circ}C$ to $+150^{\circ}C$ |
| Lead Temperature (Soldering, 10 seconds) | $300^{\circ}C$                    |

**electrical characteristics**

$\dagger T_A$  within operating range,  $V_{SS} = +9V$  to  $+20V$ ,  $V_{DD} = 0V$ ,  $V_{GG} = -10V$ , unless otherwise specified.

| PARAMETER                         | CONDITIONS  | MIN | TYP      | MAX | UNITS |
|-----------------------------------|---|-----|----------|-----|-------|
| Power Supply Voltage ( $V_{SS}$ ) | Outputs and OSC Operational                       | 8   | 18       | 20  | V     |
| Power Supply Voltage ( $V_{GG}$ ) | Outputs and OSC Operational                       | -6  | -8       | -10 | V     |
| Power Supply Voltage ( $V_{SS}$ ) | No Loss of Time Memory                            | 5   | 18       | 20  | V     |
| Power Supply Voltage ( $V_{SS}$ ) | Ignition Open                                     | 7   | 9        | 20  | V     |
| Power Supply Voltage ( $V_{GG}$ ) | Ignition Open                                     |     | 0        |     | V     |
| Power Supply Current ( $I_{SS}$ ) | Ignition Open                                     | 1   | 3        | 5   | mA    |
| Input Frequency                   | OSC 1   | DC  | 2.097152 | 2.1 | MHz   |
| Frequency of Outputs              | Liquid Crystal Display<br>$f_{IN} = 2.097152$ MHz |     | 32       |     | Hz    |

**OUTPUT CURRENTS**

|                              |   |     |     |    |         |
|------------------------------|---|-----|-----|----|---------|
| Display Segments             | $V_{SS} = +18V$                             |     |     |    |         |
|                              | Source Current<br>$V_{OUT} = V_{SS} - 1V$   | 200 |     |    | $\mu A$ |
| Sink Current                 | $V_{OUT} = V_{SS} - 17V$                    | 200 |     |    | $\mu A$ |
| Display Colon and 10's Hours | $V_{SS} = +18V$                             |     |     |    |         |
|                              | Source Current<br>$V_{OUT} = V_{SS} - 1V$   | 400 |     |    | $\mu A$ |
| Sink Current                 | $V_{OUT} = V_{SS} - 17V$                    | 400 |     |    | $\mu A$ |
| Display Backplane            | $V_{SS} = +18V$                             |     |     |    |         |
|                              | Source Current<br>$V_{OUT} = V_{SS} - 1.2V$ | 4   |     |    | mA      |
| Sink Current                 | $V_{OUT} = V_{SS} - 16.8V$                  | 4   |     |    | mA      |
| Convertor Drive Output       | $V_{SS} = +10V$                             |     |     |    |         |
|                              | Source Current<br>$V_{OUT} = V_{SS} - 6V$   | 500 |     |    | $\mu A$ |
| Sink Current                 | $V_{OUT} = V_{SS} - 8V$                     | 100 |     |    | $\mu A$ |
| FOSC/2 Source Current        | $V_{SS} = +18V$                             |     |     |    |         |
|                              | $V_{OUT} = V_{SS} - 2V$                     | 200 |     |    | $\mu A$ |
| Voltage Monitor              | Zener = 16V                                 |     |     |    |         |
|                              | Source Current                              |     | 100 |    | $\mu A$ |
| Trip Point                   |   | 17  | 18  | 19 | V       |

## functional description

A block diagram of the MM5377 auto clock is shown in *Figure 1*. A connection diagram is shown in *Figure 2*. Unless otherwise indicated, the following discussions are based on *Figure 1*.

### Oscillator 1 (Pin 34) and Oscillator 2 (Pin 33)

A quartz crystal, resonant at 2.019752 MHz, two capacitors and one resistor, together with the internal MOS circuits form a crystal controlled oscillator as shown in *Figure 3*. Varying one of the capacitors allows precise frequency setting. For test purposes, OSC 1 is the input and OSC 2 is the output of an inverting amplifier.

### FOSC/2 (Pin 32)

FOSC/2 is the output of the first divide-by-two stage. This output allows frequency tuning of the crystal oscillator without adding any additional capacitance to the oscillator circuit.

### Set Hours (Pin 39) and Set Minutes (Pin 37)

Set Hours will advance the hours at a 1 Hz rate when the input is held at  $V_{DD}$ . While setting hours, the minute's counter may also advance the hours count. Set Minutes will advance the minutes at a 1 Hz rate, hold the internal seconds counter reset and cause the colon to blink at 1 Hz rate when the input is held at  $V_{DD}$ . Depressing both switches at the same time shall cause the clock to initiate a hold and not advance until the switches are released.

### Mode Select (Pin 36)

Mode Select determines the shape of the output wave form as shown in *Figure 4*. With the input open or at  $V_{DD}$ , the output wave form is a 32 Hz square wave. Segments to be energized have the 32 Hz square wave 180° out of phase with respect to the backplane 32 Hz square wave. Segments not to be energized have their outputs in phase with the backplane output. With the mode select input at  $V_{SS}$ , the outputs are at a constant level. Segments to be energized are at  $V_{SS}$ , and segments not to be energized are at  $V_{DD}$ .

### Time Test Input (Pin 35)

Time Test Input causes the circuit to cycle through a 12 hour period using an internal clock of 65536 Hz instead of 1 Hz to increment the seconds counter when the input is at  $V_{SS}$ . The input also causes the mode of the outputs to change from 32 Hz square wave to constant levels.

### Ignition Input (Pin 40)

The Ignition Input enables setting of the clock using the set hour or set minute inputs, and enables the drive to the display and the voltage doubler. When the input is at a voltage greater than 50 percent of the  $V_{SS}$  supply the time set, display and voltage doubler are enabled. When the input is open circuited or at  $V_{DD}$ , the time set, display and voltage doubler are disabled. The display outputs and backplane drive are held to  $V_{DD}$  when the display is disabled. This input does not affect the accuracy of the time keeping logic in any manner.

### Voltage Converter Control (Pin 31)

The Voltage Converter Control input enables the voltage doubler to operate regardless of the state of the ignition input when it is at  $V_{DD}$ . When the input is open circuited or at  $V_{SS}$ , the voltage doubler is controlled by the ignition input.

### Output Circuits

The Converter Drive output and all display outputs are push-pull stages with sources common to  $V_{SS}$  (Pin 27) and drains common to  $V_{DD}$  (Pin 38) as shown in *Figure 5*. FOSC/2 output is an open-drain stage with the source common to  $V_{SS}$  as shown in *Figure 6*. *Figure 8* illustrates the interfacing between the clock and a liquid crystal display and the clock and fluorescent tubes. When driving fluorescent tubes,  $V_{GG}$  can be connected to  $V_{DD}$ .

### Converter Drive (Pin 29) and Voltage Monitor (Pin 28)

The Converter Drive output oscillates at 65.636 kHz. The duty cycle of the wave depends on the state of the Voltage Monitor input pin as shown in *Figure 7*. With  $V_{SS}$  on the input pin, the duty cycle of the output wave is 50%, which enables the voltage doubler. Once the input pin is a few volts above the zener breakdown voltage of its' zener diode (*Figure 8*), the duty cycle of the output is 0% or held at  $V_{DD}$ , which disables the voltage doubler. Therefore, the duty cycle of the output wave form varies from 50% to 0% as the voltage at the voltage monitor input pin varies. Therefore, the voltage to the chip is regulated about 2V above the zener breakdown voltage.

### Colon Output (Pin 10)

The colon output indicates the clock is counting by blinking at a 1/2 Hz rate. When setting minutes, the colon blinks at 1 Hz rate.

typical applications

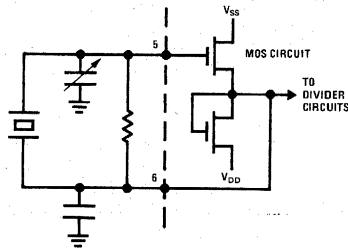


FIGURE 3. Crystal Oscillator

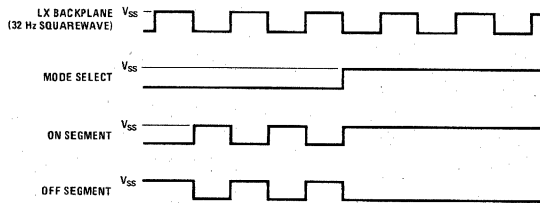


FIGURE 4. Output Timing Diagram

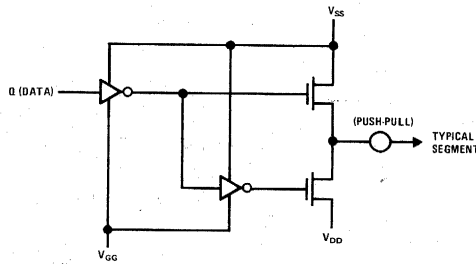


FIGURE 5. Push-Pull Output Circuit

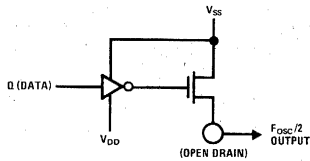


FIGURE 6. Open Drain Output Circuit

typical applications (con't)

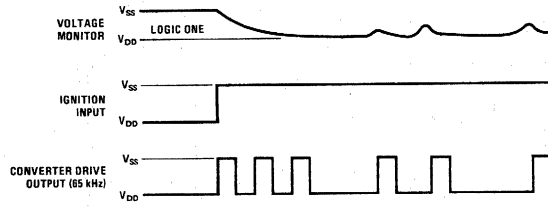


FIGURE 7. Operation of Converter Drive

1

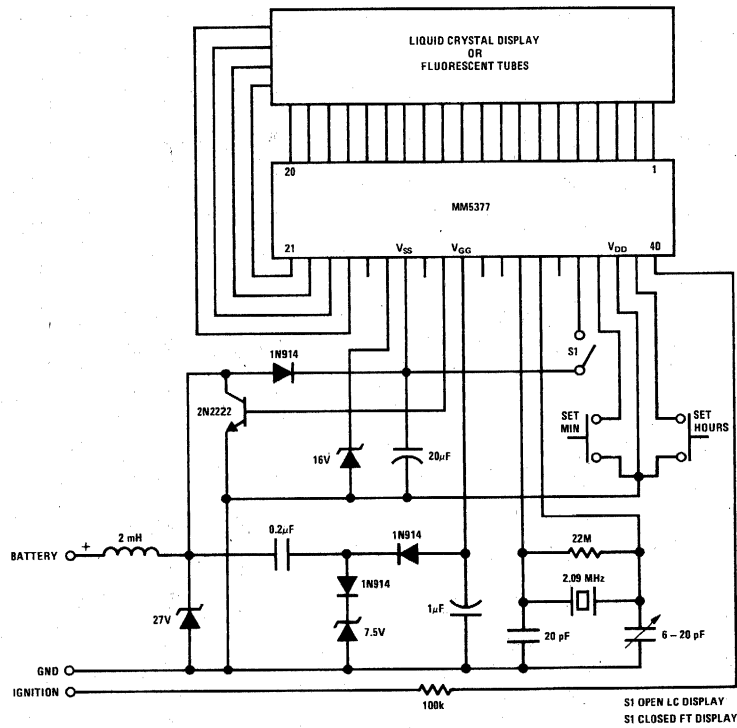


FIGURE 8. Typical Application



## MM5378, MM5379 auto clocks

### general description

The MM5378 and the MM5379 auto clocks are monolithic MOS integrated circuits utilizing P-channel low-threshold, enhancement mode and ion-implanted depletion mode devices. The MM5378 circuit interfaces with vacuum fluorescent 4-digit displays. The MM5379 circuit interfaces with gas-discharge 4-digit displays. The display format is 12 hours with leading-zero blanking and colon indication. The time keeping function operates from a 2 MHz crystal controlled or externally applied source.

- Leading-zero blanking
- Hours and minutes set controls
- Brightness control capability
- No illegal time display at turn-on
- Simple interface to vacuum fluorescent and gas discharge displays
- Low standby power dissipation

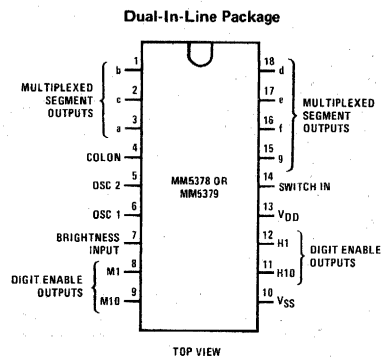
### features

- Crystal-controlled oscillator (2.097152 MHz)
- 12-hour display format
- Blinking colon output

### applications

- Automobile clocks
- Desk clocks
- Portable clocks
- High accuracy clocks

### connection diagram



Order Number MM5378N  
or MM5379N  
See Package 20

### block diagram

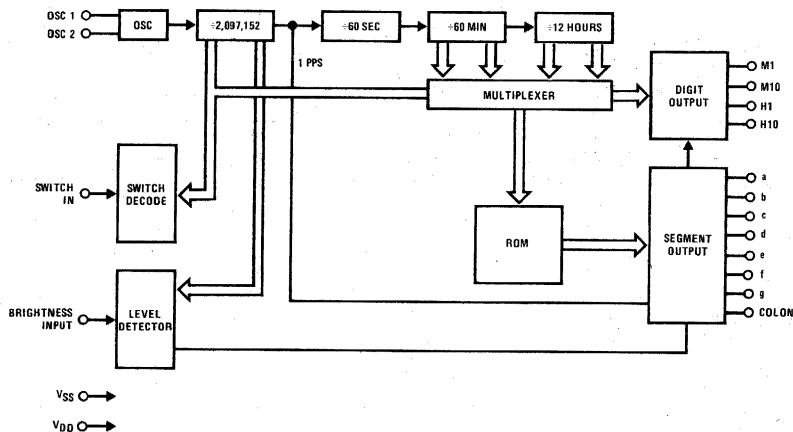


FIGURE 1.

**absolute maximum ratings**

|  |                                   |
|--|-----------------------------------|
| Voltage at Any Pin   | $V_{SS} + 0.3V$ to $V_{SS} - 25V$ |
| Voltage at Any Display Output or<br>Switch Input Pin (MM5379 Only) | $V_{SS} + 0.3V$ to $V_{SS} - 55V$ |
| Operating Temperature  | $-40^{\circ}C$ to $+85^{\circ}C$  |
| Storage Temperature  | $-65^{\circ}C$ to $+150^{\circ}C$ |
| Lead Temperature (Soldering, 10 seconds)                           | $300^{\circ}C$                    |

**electrical characteristics**  $T_A$  within operating range,  $V_{SS} = 9V$  to  $20V$ ,  $V_{DD} = 0V$ , unless otherwise specified.

| PARAMETER                          | CONDITIONS                   | MIN          | TYP      | MAX          | UNITS   |
|------------------------------------|------------------------------|--------------|----------|--------------|---------|
| Power Supply Voltage ( $V_{SS}$ )  | Outputs and Osc. Operational | 9            |          | 20           | V       |
| Power Supply Voltage ( $V_{SS}$ )  | No Loss of Time Memory       | 5            |          | 25           | V       |
| Power Supply Current ( $I_{SS}$ )  | No Output Loads              | 1            |          | 5            | mA      |
| Input Frequency (Osc. 1 or Osc. 2) |                              | dc           | 2.097152 | 2.1          | MHz     |
| Oscillator Input Voltage           | (Note 1)                     |              |          |              |         |
| Logical High Level                 |                              | $V_{SS}-1.5$ |          | $V_{SS}$     | V       |
| Logical Low Level                  |                              |              |          | $V_{SS}-5.5$ | V       |
| Switch In Voltage (MM5378)         |                              |              |          |              |         |
| Logical High Level                 | Internal Depletion Device to | $V_{SS}-1.5$ | $V_{SS}$ | $V_{SS}$     | V       |
| Logical Low Level                  | $V_{SS}$                     |              | $V_{DD}$ | $V_{SS}-5$   | V       |
| Switch In Voltage (MM5379)         |                              |              |          |              |         |
| Logical High Level                 | Internal Depletion Device to | $V_{SS}-5$   | $V_{SS}$ |              | V       |
| Logical Low Level                  | $V_{SS}$                     |              |          | $V_{SS}-25$  | V       |
| Output Currents (MM5378)           |                              |              |          |              |         |
| Digit Outputs                      |                              |              |          |              |         |
| Logical High Level                 | $V_{OH} = V_{SS} - 1V$       | 8.0          |          |              | mA      |
| Logical Low Level                  | $V_{OL} = V_{DD}$            |              |          | 40           | $\mu A$ |
| Segment Outputs                    |                              |              |          |              |         |
| Logical High Level                 | $V_{OH} = V_{SS} - 1V$       | 2.0          |          |              | mA      |
| Logical Low Level                  | $V_{OL} = V_{DD}$            |              |          | 10           | $\mu A$ |
| Output Currents (MM5379)           |                              |              |          |              |         |
| Digit Anode Outputs                |                              |              |          |              |         |
| Logical High Level                 | $V_{OH} = V_{SS} - 5V$       | 8.0          |          |              | mA      |
| Logical Low Level                  | $V_{OL} = V_{SS} - 45V$      |              |          | 40           | $\mu A$ |
| Segment Cathode Outputs            |                              |              |          |              |         |
| Logical High Level                 | $V_{OH} = V_{SS} - 5V$       | 2.0          |          |              | mA      |
| Logical Low Level                  | $V_{OL} = V_{SS} - 45V$      |              |          | 10           | $\mu A$ |

**Note 1:** These are the input levels required if an external oscillator input is preferred, using Osc. 2 (pin 5) as the input while holding Osc. 1 (pin 6) to  $V_{SS}$ .

**functional description**

A block diagram of the MM5378 and the MM5379 auto clocks is shown in *Figure 1*. Connection diagrams for these devices are shown on the front page. Unless otherwise indicated, the following discussions are based on *Figure 1*.

**Crystal Oscillator:** A quartz crystal, resonant at 2.097152 MHz, two capacitors and one resistor, together with the internal MOS circuits form a crystal-controlled oscillator as shown in *Figure 2*. Varying one of the capacitors allows precise frequency setting. For test purposes, Osc. 1 is the input and Osc. 2 is the output of an inverting amplifier.

**Time Setting:** Time setting is accomplished via the switch input pin. If this input is a logic high during the M1 digit time, the minutes counter will advance at a 2 Hz rate with no carry to hours counter and will also cause seconds counter to reset. If the switch input is a logic high during the M10 digit time, the hours counter will advance at a 2 Hz rate, minutes and seconds counter will continue in real time. If the switch input is a logic high during H1 digit time, seconds, minutes, and hours counters will reset to 12:00:00. If this input is a logic high during H10 digit time, a test mode will exist in which the minutes counter will advance at a 65.536 kHz rate with carry to hours counter (see *Figure 3*). An



functional description (Continued)

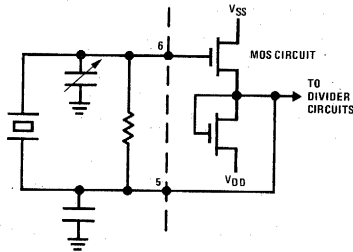


FIGURE 2. Crystal Oscillator

internal pull-up resistor to VSS provides normal time-keeping.

**Output Multiplex Operation:** Outputs from the appropriate internal counter are time division multiplexed at a 2048 Hz rate. The MM5378 and MM5379 provide 12 outputs (4 digit-anode drive outputs plus 8 segment-cathode drive outputs). The additional "segment" drive is provided to accommodate displays which feature a colon. The colon output is switched at a 1/2 Hz rate to provide a blinking colon as a short-time indication that the clock is operating.

When driving vacuum fluorescent displays which enclose more than one digit in a common gas envelope, it is necessary to either (1) inhibit the segment drive

voltage(s) for a short time during inter-digit transitions, or (2) avoid physical adjacent inter-digit transitions. The MM5379 auto clock utilizes an interlaced output sequence and inter-digit blanking circuitry to prevent display arcing problems. The digit sequence is: (1) digit no. 4 (unit minutes), (2) digit no. 2 (unit hours), (3) digit no. 3 (ten's of minutes), (4) digit no. 1 (ten's of hours), etc. Blanking intervals are provided to recharge level-translating capacitors located in the display segment drive lines (Figure 6). Both segment data and digit enables are blanked. Figure 4 is a timing diagram which illustrates output timing for the MM5379. Figure 5 is a timing diagram which illustrates output timing for the MM5378.

**Brightness Control:** Since display brightness is a function of cathode segment current, a capability of interrupting this current for a variable percentage of the digit interval results in a brightness control. Depending on the magnitude of the voltage applied, the digit "ON" time will vary from 0% to 100% of its possible period in 8 1/3% increments. This is illustrated in Figures 4 and 5.

**Output Circuits:** All display output drivers, both digit and segment outputs, are open-drain enhancement devices (Figure 6). Thus, all outputs are capable of sourcing currents while external pull-downs are required to sink currents. Figure 7 illustrates method of interfacing these outputs to gas discharge displays.

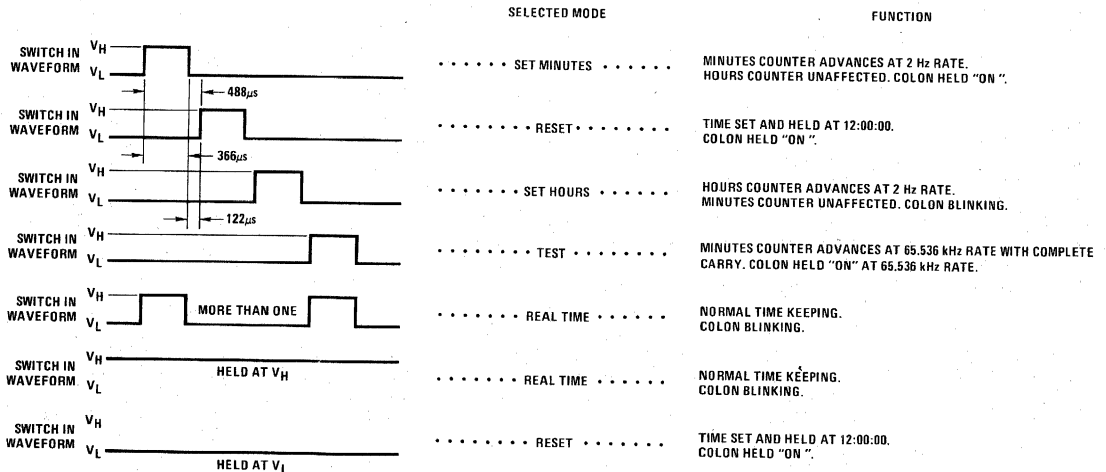
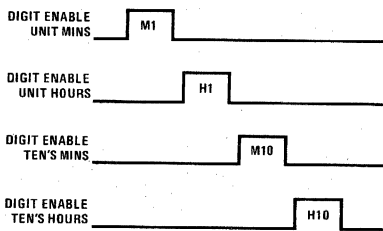


FIGURE 3. MM5378, MM5379 Setting Control Functions

functional description (Continued)

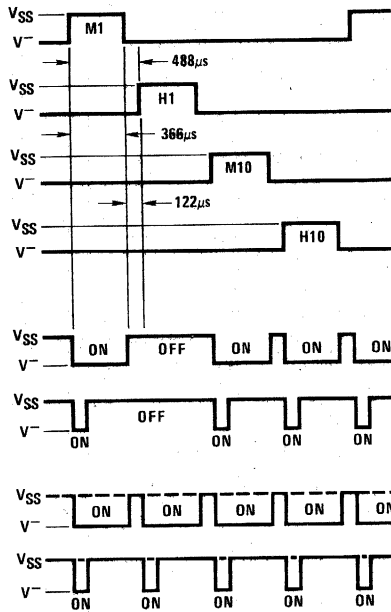


FIGURE 4. MM5379 Output Timing Diagram

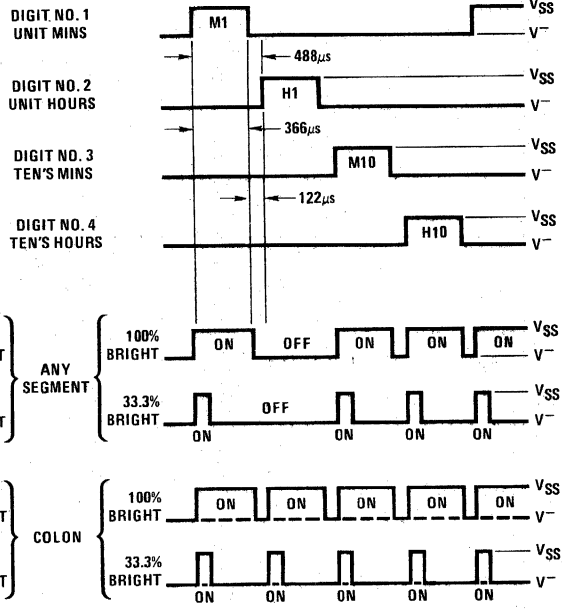


FIGURE 5. MM5378 Output Timing Diagram

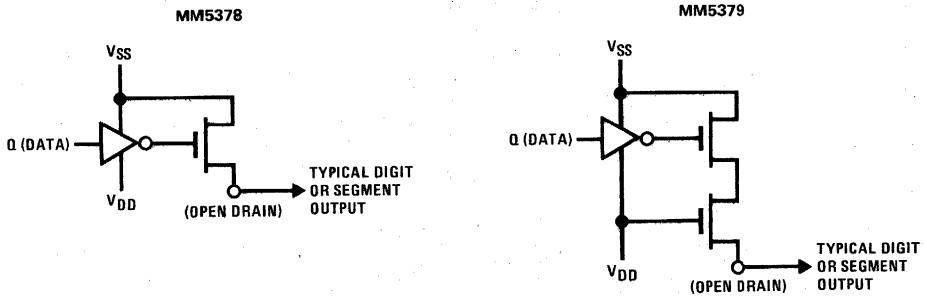


FIGURE 6. Output Circuits

functional description (Continued)

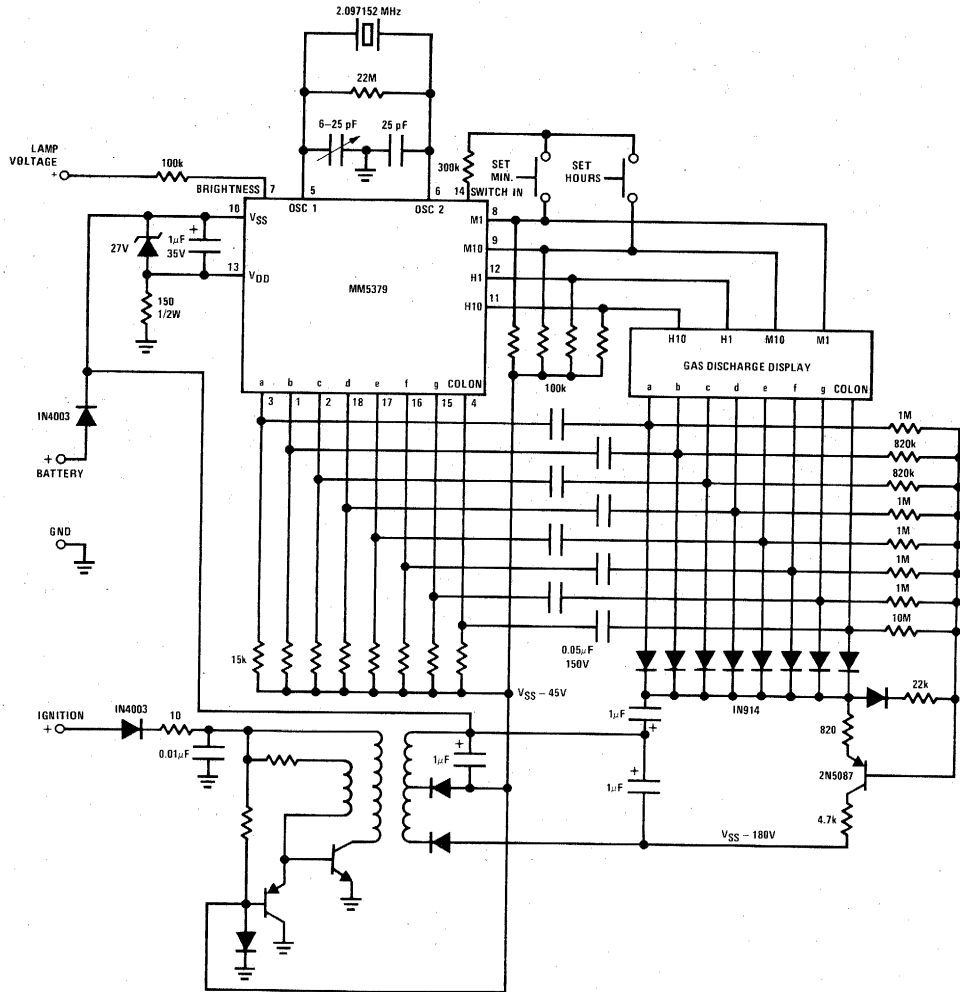


FIGURE 7. Typical Application for MM5379



## MM5382, MM5383 digital calendar clock radio circuits

### general description

The MM5382 and MM5383 digital calendar clock circuits provide the timing, control, and interface circuitry for a minimum-cost, solid state, digital clock radio.

The timekeeping function operates in either a 12-hour or a 24-hour mode. The MM5382 is the 12-hour version, and has a month-date format; the MM5383 is the 24-hour version, and has a date-month format.

Outputs consist of a presettable 59-minute sleep timer (e.g., a timed radio turn-off) and an alarm tone. A power failure indication warns the user that the time displayed may be in error.

Other features include: alarm display; brightness control; 24-hour alarm set; PM indication; fast and slow set controls; and a 9-minute snooze alarm. (The MM5383 has an alarm "ON" indicator.) Both circuits provide open drain outputs for the direct drive of LED displays to 15 mA.

### features

- 50 or 60 Hz operation
- 12 hour, month-date (MM5382) or 24 hour, date-month (MM5383) display
- PM indication (MM5382)

- Leading zero blanking
- 24-hour alarm setting
- Power failure indication (the word "OFF" is displayed in MM5382 and all "ON" digits blink in MM5383)
- Brightness control
- Date display (4 year calendar)
- Presettable 59-minute sleep timer
- Alarm display
- Fast and slow set sleep and alarm
- 9 minute snooze alarm
- Blinking colon
- Alarm "ON" indication (MM5382 only)
- Alarm tone output
- No illegal time or date display at turn-on

### applications

- Alarm clock
- Desk clock
- Clock radios
- Stop watch
- Industrial clock
- Portable clock
- Timer
- Sequential controllers

### connection diagrams

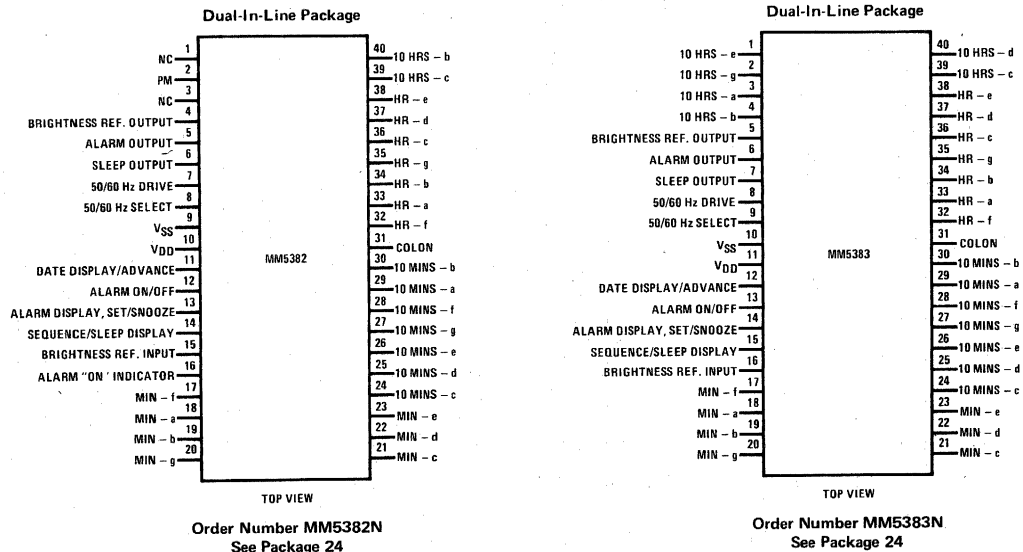


FIGURE 1

**absolute maximum ratings**

|  |  |
|--|--|
| Voltage at Any Pin except Segment, Colon, and PM | $V_{SS} + 0.3V$ to $V_{SS} - 28V$  |
| Voltage at Segment, Colon, and PM                | $V_{SS} + 0.3V$ to $V_{SS} - 10V$  |
| Operating Temperature                            | $-25^{\circ}C$ to $+70^{\circ}C$   |
| Storage Temperature                              | $-65^{\circ}C$ to $+150^{\circ}C$  |
| Lead Temperature (Soldering, 10 seconds)         | $300^{\circ}C$   |
| Maximum Power Dissipation                        | 1 Watt   |
| Electrical Characteristics                       |  |
| $T_A$ within Operating Range                     | $V_{SS} = +18V$ to $+26V$ , $V_{DD} = 0V$ ,<br>with specified output drive<br>unless otherwise specified |
| Functional Clock Voltage                         | $V_{SS} = +8V$ to $+26V$ , $V_{DD} = 0$<br>(No output drive spec)  |

**electrical characteristics**

| PARAMETER   | CONDITIONS  | MIN        | TYP      | MAX         | UNITS    |
|---|---|------------|----------|-------------|----------|
| Power Supply Current  | No output levels<br>$V_{SS} = 8V$<br>$V_{SS} = 26V$   |            |          | 4<br>5      | mA<br>mA |
| 50/60 Hz Input  |   |            |          |             |          |
| Frequency   |   | DC         | 50 or 60 | 30k         | Hz       |
| Voltage   | $V_{SS} = 18V$  |            |          |             |          |
| Logical High Level  |   | $V_{SS}-1$ | $V_{SS}$ | $V_{SS}$    |          |
| Logical Low Level   |   | $V_{DD}$   | $V_{DD}$ | $V_{DD}+1$  |          |
| Switch Input Voltages<br>(Date, Sequence, Alarm<br>Enable, Alarm Display) |   |            |          |             |          |
| Logical High Level  |   | $V_{SS}-1$ | $V_{SS}$ | $V_{SS}$    |          |
| Logical Low Level (1)   | Nominal Floating Level  | $V_{SS}-3$ | Float    | $V_{SS}-6$  | V        |
| Logical Low Level (2)   |   | $V_{DD}$   | $V_{DD}$ | $V_{DD}+2$  | V        |
| All Other Input Voltages  |   |            |          |             |          |
| Logical High Level  |   | $V_{SS}-1$ | $V_{SS}$ | $V_{SS}$    |          |
| Logical Low Level   | Internal Depletion Load<br>to $V_{DD}$  |            |          | $V_{SS}-15$ |          |
| Power Failure Detect Voltages   | ( $V_{SS}$ Voltage)   | 1.0        |          | 8.0         | V        |
| Output Currents:  | $V_{SS} = 18V$ to $26V$ , $V_{DD} = 0V$   |            |          |             |          |
| All Segments and Colon  |   |            |          |             |          |
| Logical High Level, Source  | $V_{OH} = V_{SS} - 2V$  | 15         |          |             | mA       |
| Logical Low Level, Leakage  | $V_{OL} = V_{SS} - 10V$   |            |          | 10          | $\mu A$  |
| PM Indicator and Alarm Indicator  |   |            |          |             |          |
| Logical High Level, Source  | $V_{OH} = V_{SS} - 2V$  | 15         |          |             | mA       |
| Logical Low Level, Leakage  | $V_{OH} = V_{SS} - 10V$   |            |          | 10          | $\mu A$  |
| Alarm and Sleep Outputs   |   |            |          |             |          |
| Logical High Level, Source  | $V_{OH} = V_{SS} - 2V$  | 2          |          |             | mA       |
| Logical Low Level, Sink   | $V_{OH} = V_{SS} - 15V$   | 500        |          |             | $\mu A$  |
| Alarm Output Tone   | $V_{SS} = 18V$ to $26V$   | 400        |          | 2000        | Hz       |
| Frequency Modulated with 2 Hz   |   |            |          |             |          |
| Total Power Dissipation   | $V_{SS} = 26V$ , $V_{DD} = 0V$<br>$I_{OUT}$ (25 Segments) = 15 mA<br>$T = 70^{\circ}C$<br>$V_{OUT} = V_{SS} - 2V$ |            |          | 830         | mW       |

## block diagram

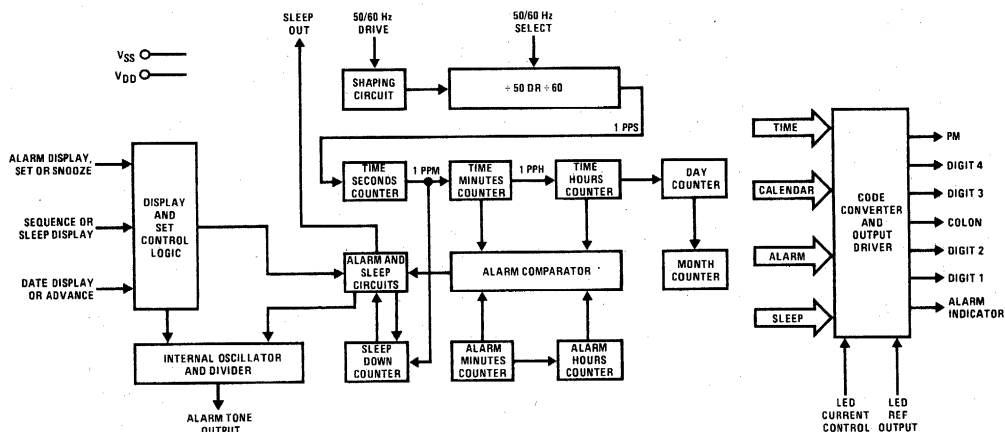


FIGURE 2.

TABLE I. Display Modes and Setting Control Functions

| FUNCTION                | STEP | DATE DISPLAY/<br>ADVANCE     | ALARM DISPLAY -<br>SET/SNOOZE  | SEQUENCE/SLEEP<br>DISPLAY   |
|-------------------------|------|------------------------------|--------------------------------|---|
| Display Time            | 1    | Float                        | Float                          | Float   |
| Set Time                | 1    | Float                        | Float                          | Momentary connect to VDD for each step of setting time and calendar |
| Display Alarm           | 2    | VDD                          | Float                          | Float   |
|                         | 1    | Float                        | Connect to VDD for < 2 seconds | Float   |
| Set Alarm:<br>2 Hz Rate | 1    | Float                        | Connect to VDD for > 2 seconds | Float   |
|                         | 2    | VDD                          | VDD                            | Float   |
| Display Sleep           | 1    | Float                        | Float                          | Connect to VSS for < 2 seconds                                      |
| Set Sleep:<br>2 Hz Rate | 1    | Float                        | Float                          | Hold VSS for > 2 seconds (Advances at 2 Hz Rate)                    |
|                         | 2    | VDD (Advances at 60 Hz Rate) | Float                          | VSS   |

## functional description

Connection diagrams for the MM5382 and the MM5383 Digital Clock Radio Circuits are shown in Figure 1. A block diagram of these devices is shown in Figure 2. Unless otherwise indicated, the following discussions are based on Figure 2. Figure 3 shows the general purpose alarm clock and procedure to set the time, month, day, alarm and sleep counters. Table I shows the display modes and setting control functions.

**50 or 60 Hz Drive:** A shaping circuit is provided to square the 50 or 60 Hz input. This circuit allows use of a filtered sinewave input. The circuit is a Schmitt trigger that is designed to provide about 4V of hysteresis. A simple RC filter should be used to remove possible line-voltage transients that could either cause the clock to gain time or damage the device. The input should swing between VSS and VDD. The shaper output drives a counter chain which performs the timekeeping function.

**50 or 60 Hz Select Input:** A programmable prescaler counter divides the input line frequency by either 50 or 60 to obtain a 1 Hz base. This counter is programmed to divide by 60 simply by leaving the pin unconnected; a pull-down to VDD is provided by an internal resistor. Operation at 50 Hz is programmed by connecting this input to VSS.

**Alarm Operation:** The internal alarm comparator senses coincidence between the alarm counters (the alarm setting) and the time counters (real time). The comparator output is used to set a latch in the alarm and sleep circuits. The alarm latch remains set for 59 minutes during which time the alarm or radio will sound if the latch outputs are not temporarily inhibited by another latch set by the snooze input or reset by the alarm "OFF" input.

## functional description (Continued)

**Alarm ON/OFF/RADIO Input:** Momentarily leaving this input unconnected resets the alarm latch and thereby silences the alarm. This input is also used to determine if the alarm or the sleep output will be enabled when the alarm latch is set. By connecting the input pin to V<sub>DD</sub>, both the alarm output and the sleep output (radio) are enabled when the alarm latch is set. If the input pin is connected to V<sub>SS</sub>, only the sleep output (radio) is enabled when the alarm latch is set. Momentarily leaving this pin unconnected also readies the alarm latch for the next comparator output, hence, the alarm will automatically sound again in 24 hours (or at a new alarm setting). If it is desired to silence the alarm for a day or more, the Alarm ON/OFF Radio input pin should remain unconnected.

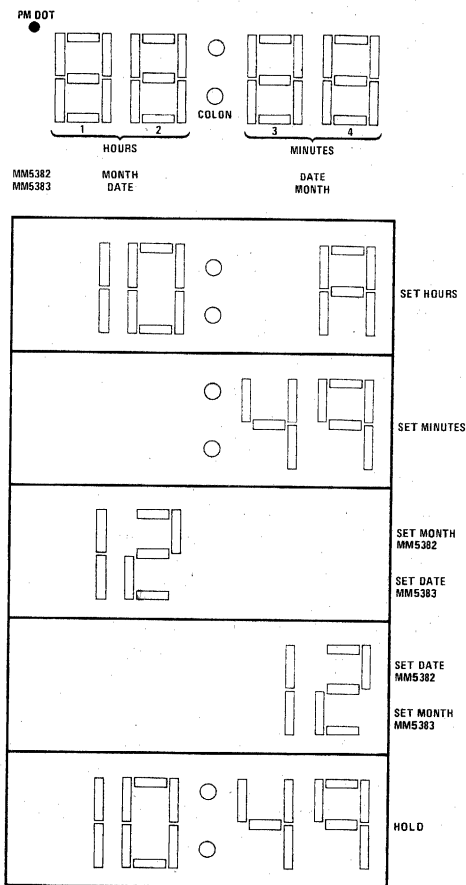
**Alarm Output:** The alarm output signal is a tone of from 400 Hz to 2000 Hz, which is gated on and off at a 2 Hz rate.

**Alarm Display, Set/Snooze:** Momentarily connecting this pin to V<sub>DD</sub> when the alarm and sleep outputs are disabled displays the alarm setting for 1.5 to 2 seconds. The display shows the hours and minutes of the alarm setting, a constant colon and a PM indication if the clock is in the 12 hour mode. If the input pin is held to V<sub>DD</sub> for longer than 2 seconds, the minutes of the alarm counter start to advance at a 2 Hz rate. To increase the rate that the alarm counter is set at, also connect the Date/Advance input pin to V<sub>DD</sub>. The minutes of the alarm counter will now advance at a 60 Hz rate. By momentarily connecting the input pin to V<sub>DD</sub> when the alarm or sleep output is enabled, snooze is enabled for 8 or 9 minutes. Snooze inhibits the alarm output for between 8 and 9 minutes, after which the alarm output is enabled again. Snooze has no effect on the sleep output. The snooze feature may be repeatedly used during the 59 minutes in which the alarm latch remains set. Momentarily connecting this input pin to V<sub>DD</sub> when the clock is in the power failure mode stops all power failure indications and displays alarm. If this pin is connected to V<sub>SS</sub> and date advance pin is connected to V<sub>SS</sub>, the clock is in a test mode. All outputs are enabled and time and alarm are set to 12:00 AM, the date is set to the 12th month and the 1st day, and the sleep counter is set to 00 minutes. If the Alarm Display, Set/Snooze is at V<sub>SS</sub>, all outputs and inputs are disabled except 50/60 Hz Select and 50/60 Hz Drive.

**Sleep Timer and Output:** The sleep output can be used to turn off a radio after a desired interval of up to 59 minutes. The time interval is chosen by selecting the sleep display mode and setting the desired time interval. This automatically results in a current-source output, which can be used to turn on a radio (or other appliance). When the sleep counter, which counts downwards, reaches 00 minutes, a latch is reset and the sleep output current drive is removed, thereby turning off the radio. This turn-off may also be manually controlled (at any time in the countdown) by a momentary V<sub>DD</sub> connection to the Alarm Display, Set/Snooze input.

**Sequence/Sleep Display and Set:** If left open, time or the counter to be set is displayed. Momentarily connecting this pin to V<sub>SS</sub> displays the sleep counter for 1.5 to 2 seconds. If after 2 seconds the pin is still at V<sub>SS</sub>, the sleep counter will decrement at a 2 Hz rate. To

increase the rate at which the sleep counter is decremented, also connect the Date/Advance pin to V<sub>DD</sub>. The sleep counter will now decrement at a 60 Hz rate. Momentarily connecting the Sequence pin to V<sub>DD</sub> steps the clock through its set modes. There are 6 states; they are real time, set hours, set minutes, set month (12 hour mode), set day (12 hour mode), and the holding state. When real time is displayed, a momentary connection to V<sub>DD</sub> advances the clock to the set hours state. In this state, hours are displayed, minutes are blanked, the colon is constant, and an A or P is displayed in the unit minutes position if the clock is in the 12 hour mode. To set hours, the Date/Advance pin is connected to V<sub>DD</sub>. The next time the Sequence pin is connected to V<sub>DD</sub>, the clock is advanced to the set minutes state. In this state, the minutes are displayed, the hours are blank, the colon is constant and the PM indication is displayed if the clock is in the 12 hour mode and set for PM. The next state the clock advances to is the set left state. In the 12 hour mode, this is a month set state. For the 24 hour mode, this is a day set state. In this state, the left two digits of the display are shown, the colon and the right two digits of the display are blank. The next state the clock advances to is the set right state. In this state, the day in the 12 hour mode or month in the 24 hour mode is displayed in the right two digits of the display.



Time and Date Display Format in 'Set' Mode

**functional description** (Continued)

The left two digits and colon are blank. The next transition on the Sequence input displays real time if the minutes were not set. If the minutes counter was set, the next state the clock advances to is the holding state. In this state the time and the colon are blinking at a 2 Hz rate and held to the set time. To leave the holding state, the Sequence Input is connected to V<sub>DD</sub> momentarily. If the clock remains in any state except the holding state for more than 10 seconds without being set, the clock will automatically advance to real time or the holding state if minutes were set.

**Note:** Time set mode should not be initiated while in alarm or sleep display 2 second time out. Time set mode should be sequenced only when the clock displays real time.

**Date/Advance Input:** If left open, this input has no effect on the clock. Momentarily connecting this pin to V<sub>DD</sub> displays the date for 1.5 to 2 seconds if the clock was not in a set state. If after 2 seconds the input pin is still at V<sub>DD</sub>, the date remains displayed until the input pin is released. If the Date/Advance pin is connected to V<sub>DD</sub> when the clock is in a set mode, the counter displayed will advance at a 2 Hz rate until the pin is released. Connecting this input pin to V<sub>DD</sub> when the sleep counter or the alarm counter is displayed advances the displayed counter at a 60 Hz rate. If the Date/Advance pin is connected to V<sub>SS</sub>, the seconds counter is bypassed and minutes counter advances at a 1 Hz rate.

**Colon:** The colon output blinks at a 1 Hz rate in the run mode. It is constant during set hours and minutes, and alarm display. The colon is blank for date display. The colon blinks at a 2 Hz rate in the holding state.

**Alarm Indication Output:** Whenever the alarm is enabled, the Alarm Indicator output is turned on. It is used to indicate to the user that the alarm has been set.

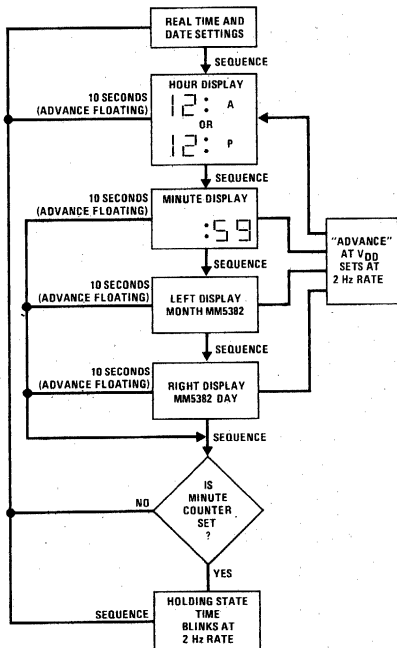
**PM Output:** The PM Output is available only in the MM5382. This output is enabled only when time or alarm are displayed.

**Power Failure Indication:** If the power to the integrated circuit drops, indicating a momentary ac power failure and possible loss of the correct time, in the MM5382 the word 'OFF' is displayed blinking at a 2 Hz rate, in the MM5383 all the 'ON' segments blink at 2 Hz rate and the colon is blank. Momentarily connecting the Alarm Display Set/Snooze input to V<sub>DD</sub> displays first the alarm for 1.5 to 2 seconds and then real time. In addition, if the alarm was "ON" the Alarm "ON/OFF" input should also be momentarily connected to V<sub>DD</sub>.

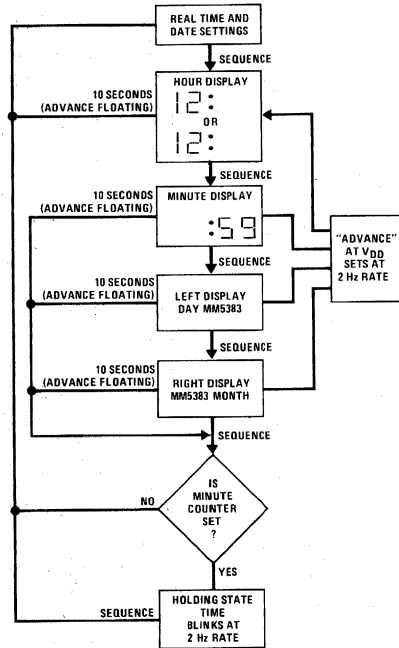
**LED CURRENT CONTROL INPUT AND REFERENCE OUTPUT**

Pin (15) MM5382, pin (16) MM5383 controls the gate voltage at all the display outputs and the reference device. The output drives can be disabled by connecting pin 15 MM5382, 16 MM5383 to V<sub>SS</sub>. This wire-OR capability allows the display to be used for other functions (e.g., temperature). The output current can be controlled two ways; 1) driving the output in saturated mode; 2) driving the output in linear mode. (Refer to Figures 4 and 5.)

1. The reference device pins (4, 15) MM5382 (5, 16) MM5383 are connected as diodes and an external resistor is used to set the desired current in these diodes (see Figure 4). The segment drivers of all digits are connected as current mirrors. The drain



**Time and Date Set Flow Chart**  
MM5382, 12-Hour Mode



**Time and Date Set Flow Chart**  
MM5383, 24-Hour Mode



## functional description (Continued)

- voltage V1 of the segment drivers is selected such that these devices operate in saturation mode. Since the drain current variation in saturation mode operation of the MOS device is relatively constant, the segment drive current does not vary significantly, even though V1 is increased considerably. However, as the voltage across the output buffers increases, average power dissipation also increases linearly. This technique of current control is recommended to be used only with low current LEDs (1–7 mA).
- The high current drive requirement of large LED displays can be accomplished by operating the segment drivers in the linear mode. The circuit for high current LED drivers is shown in Figure 5. The reference output device is used in series with a reference LED, diode and current setting resistor. A high beta PNP transistor provides the current drive for all the segments. A reference voltage V3 is developed which compensates for variations in MOS process parameters and the variations in the voltage drop across the LED. The resistor sets the current in the reference LED which sets the reference voltage V3 which in turn sets the current in the LEDs equal to resistor current minus the base current of the transistor. Variation in second supply voltage does not vary the LED currents so long as the PNP transistor is kept operating in the linear mode. Full wave rectified power supply without any filtering can be used as a second supply voltage V2. The LED brightness can be varied by using a variable resistor.

Figure 6 shows a LED drive circuit which uses a single resistor. The resistor controls the total current flowing through all the segments. Brightness shall vary depending on number of segments that are "ON" at that time.

**Radio Frequency Interference:** All display outputs include circuitry to slow up the switching transition time to minimize radio frequency interference.

## Clock Set Up Procedure: (MM5382)

- Connect 110V supply.
- Blinking "OFF" displayed.
- Momentarily connect alarm display set/snooze pin (13) to VDD which removes "OFF" and displays first the alarm for 1.5 to 2 seconds, then real time.
- Momentarily connect alarm "ON/OFF" to VSS.
- Wait till the colon starts blinking. (Approximately 2 seconds.)
- Time setting
  - Momentarily connect sequence pin (14) to VDD display shows hour and AM or PM. Connect advance pin (11) to VDD to advance hour.
  - Connect pin (14) momentarily to VDD display shows minutes, connect pin (11) to VDD and set minutes.
  - Connect pin (14) momentarily to VDD display shows month, connect pin (11) to VDD and set month.
  - Connect pin (14) momentarily to VDD display shows date, connect pin (11) to VDD and set date.
  - Connect pin (14) momentarily to VDD and the real time is displayed at 2 Hz rate.
  - Connect pin (14) momentarily to VDD again and real time is displayed continuously.
- Alarm setting
  - Connect alarm display pin (13) to VDD and hold it for more than 2 seconds. Alarm minutes will advance at slow rate.
  - Connecting pin (11) and pin (13) to VDD simultaneously will advance the alarm time at a fast rate.
  - Set the desired alarm time.
- Sleep time setting
  - Connect, sleep display, pin (14) to VSS and hold it for more than 2 seconds. Sleep time will decrement at slow rate.
  - Connecting pin (11) and pin (14) to VDD simultaneously will decrement the sleep time at a fast rate.
  - Set the desired sleep time.
- Connect pin 12 to VDD to activate alarm.

**Note:** Time and date setting must be done only in the real time display mode.

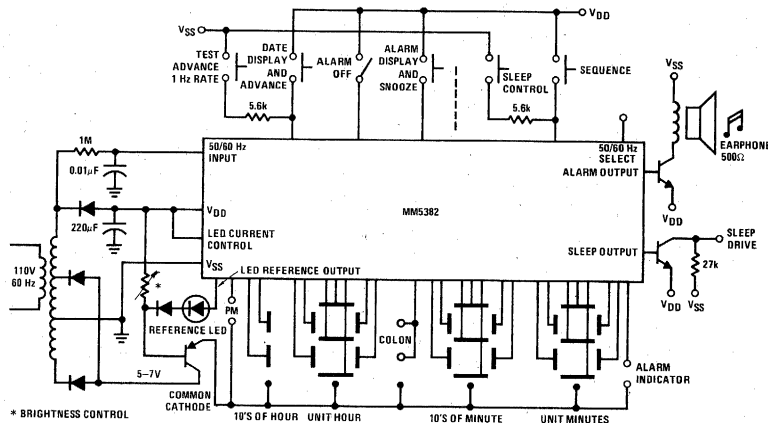


FIGURE 3. Calendar Alarm Clock Using the MM5382 and a LED Display

functional description (Continued)

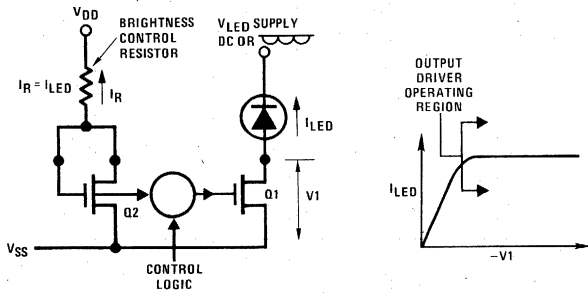


FIGURE 4(a). Low Current LED Drive Control Circuit (1-7 mA)

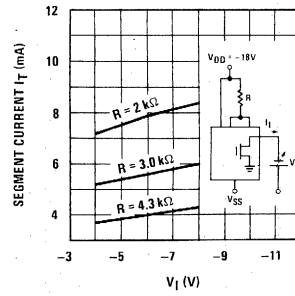
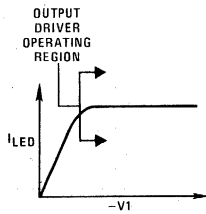


FIGURE 4(b). Segment Current vs  $V_1$  ( $V_{DD}$  at -18V) (Typical Output Characteristics)

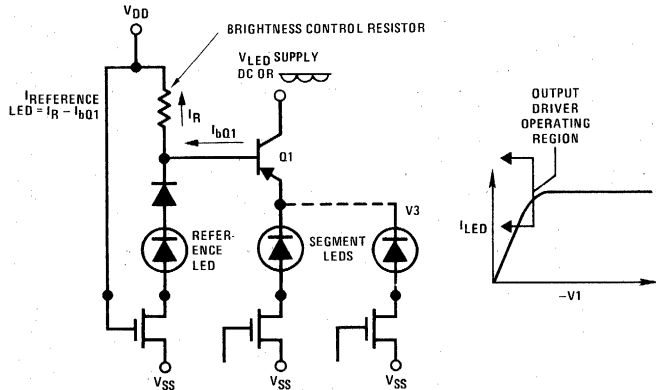


FIGURE 5(a). High Current LED Drive Current Circuits (7-15 mA)

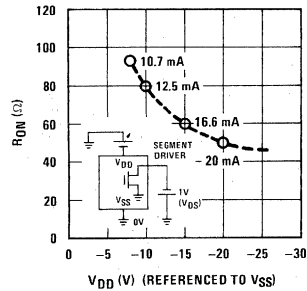
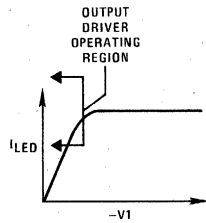


FIGURE 5(b).  $R_{ON}$  vs  $V_{DD}$  ( $V_{DS}$  at -1V) (Typical Output Characteristics)

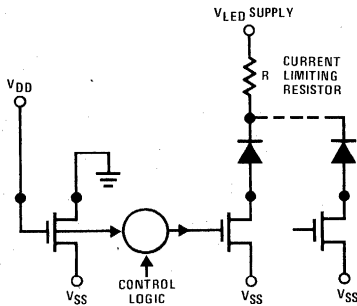


FIGURE 6. Simple LED Drive Circuit

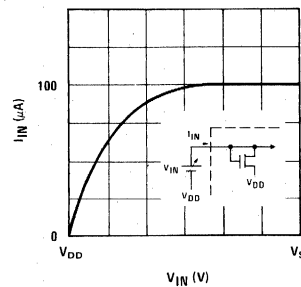


FIGURE 7.  $I_{IN}$  vs  $V_{IN}$  (Typical Input Depletion Load Characteristics)



## MM5384 LED display digital clock radio circuit

### general description

The MM5384 digital clock radio circuit is a monolithic MOS integrated circuit utilizing P-channel low-threshold, enhancement mode and ion-implanted depletion mode devices. It provides all the logic required to build several types of clocks and timers. Four display modes (time, seconds, alarm and sleep) are provided to optimize circuit utility. The circuit interfaces directly with 3 1/2 digit 7-segment LED displays. The timekeeping function operates from either a 50 or 60 Hz input, and the display format is 12 hours (with leading-zero blanking and AM/PM indication) or 24 hours. Outputs consist of display drivers, sleep (e.g., timed radio turn-off), and alarm enable. Power failure indication is provided to inform the user that incorrect time is being displayed. Setting the time cancels this indication. The device operates over a power supply range of 8–26V and does not require a regulated supply. The MM5384 is packaged in a 40 lead dual-in-line package.

### features

- 50 or 60 Hz operation
  - Single power supply
  - 12 or 24 hour display format
  - AM/PM outputs
  - Leading-zero blanking
- } 12-hour format

- 24-hour alarm setting
- All counters are resettable
- Fast and slow set controls
- Power failure indication
- Blanking/brightness control capability
- Elimination of illegal time display at turn-on
- Direct interface to 0.5" LED displays
- 9-minute snooze alarm
- Presetable 59-minute sleep timer

### applications

- Alarm clocks
- Desk clocks
- Clock radios
- Automobile clocks
- Stopwatches
- Industrial clocks
- Portable clocks
- Photography timers
- Industrial timers
- Appliance timers
- Sequential controllers

### block and connection diagrams

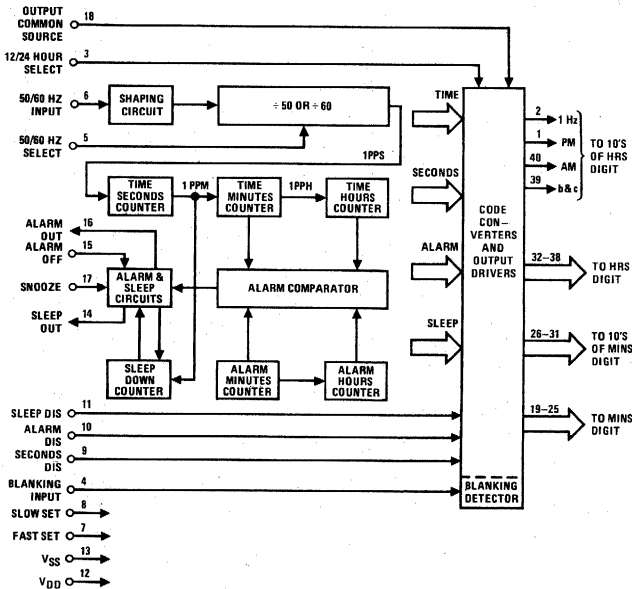
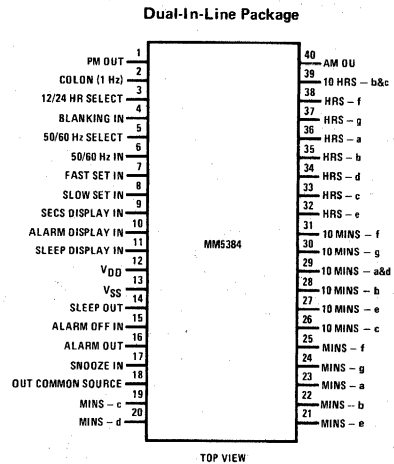


FIGURE 1.



TOP VIEW

Order Number MM5384N  
See Package 24

FIGURE 2

**absolute maximum ratings**

|   |                                   |
|---|-----------------------------------|
| Voltage at Any Pin Except Segment Outputs | $V_{SS} + 0.3$ to $V_{SS} - 30V$  |
| Voltage at Segment Outputs                | $V_{SS} + 0.3$ to $V_{SS} - 15V$  |
| Operating Temperature                     | $-25^{\circ}C$ to $+70^{\circ}C$  |
| Storage Temperature                       | $-65^{\circ}C$ to $+150^{\circ}C$ |
| Lead Temperature (Soldering, 10 seconds)  | $300^{\circ}C$                    |

**electrical characteristics**

$T_A$  within operating range,  $V_{SS} = 24V$  to  $26V$ ,  $V_{DD} = 0V$ , unless otherwise specified.

| PARAMETER   | CONDITIONS  | MIN        | TYP      | MAX        | UNITS   |
|---|---|------------|----------|------------|---------|
| Power Supply Voltage                              | Output Driving Display                                | 24         |          | 26         | V       |
|   | Functional Clock                                      | 8          |          | 26         | V       |
| Power Supply Current                              | No Output Loads                                       |            |          | 4          | mA      |
|   | $V_{SS} = 8V$   |            |          | 5          | mA      |
|   | $V_{SS} = 26V$  |            |          |            |         |
| 50/60 Hz Input Frequency Voltage                  | $V_{SS} = 8V$ to $26V$                                | dc         | 50 or 60 | 10k        | Hz      |
| Logical High Level                                |   | $V_{SS}-1$ | $V_{SS}$ | $V_{SS}$   | V       |
| Logical Low Level                                 |   | $V_{DD}$   | $V_{DD}$ | $V_{DD}+2$ | V       |
| 50/60 Hz Input Leakage                            |   |            |          | 10         | $\mu A$ |
| Blanking Input Voltage                            | Logical High Level                                    | $V_{SS}-1$ | $V_{SS}$ | $V_{SS}$   | V       |
|   | Logical Low Level                                     | $V_{DD}$   | $V_{DD}$ | $V_{SS}-5$ | V       |
| Blanking Input Leakage                            |   |            |          | 10         | $\mu A$ |
| All Other Input Voltages                          | Logical High Level                                    | $V_{SS}-1$ | $V_{SS}$ | $V_{SS}$   | V       |
|   | Logical Low Level                                     | $V_{DD}$   | $V_{DD}$ | $V_{SS}-6$ | V       |
| Power Failure Detect Voltage                      | ( $V_{SS}$ Voltage), (Note 2)                         | 1          |          | 8          | V       |
| Count Operating Voltage                           |   | 8          |          | 26         | V       |
| Hold Count Voltage                                | (Note 2)  |            |          | 26         | V       |
| Output Current Levels                             | $V_{SS} = 24V$ to $26V$ ,<br>Output Common = $V_{SS}$ |            |          |            |         |
|   |   |            |          |            |         |
| 10's of Hours (b & c), 10's of<br>Minutes (a & d) | Logical High Level, Source                            | 10         |          |            | mA      |
|   | Logical Low Level, Leakage                            |            |          | 10         | $\mu A$ |
| 1 Hz Display                                      | Logical High Level, Source                            | 15         |          |            | mA      |
|   | Logical Low Level, Leakage                            |            |          | 10         | $\mu A$ |
| All Other Displays                                | Logical High Level, Source                            | 5          |          |            | mA      |
|   | Logical Low Level, Leakage                            |            |          | 10         | $\mu A$ |
| Alarm and Sleep Outputs                           | $V_{SS} = 24V$  |            |          |            |         |
|   | Logical High, Source                                  | 500        |          |            | $\mu A$ |
|   | Logical Low, Sink                                     | 1          |          |            | $\mu A$ |

**Note 1:** Segment Output Current must be limited to 6 mA maximum by user; power dissipation must be limited to 900 mW at  $70^{\circ}C$  and 1.2W at  $25^{\circ}C$ .

**Note 2:** Power fail detect voltage is 0.25V or more above the hold count voltage. The power fail latch trips into power fail mode at least 0.25V above the voltage at which data stored in the time latch is lost.

## functional description

A block diagram of the MM5384 digital clock radio circuit is shown in *Figure 1*. The various display modes provided by this clock are listed in Table I. The functions of the setting controls are listed in Table II. *Figure 2* is a connection diagram. The following discussions are based on *Figure 1*.

**50 or 60 Hz Input:** A shaping circuit (*Figure 3*) is provided to square the 50 or 60 Hz input. This circuit allows use of a filtered sinewave input. The circuit is a Schmitt trigger that is designed to provide about 6V of hysteresis. A simple RC filter such as shown in *Figure 5*, is recommended in order to remove possible line-voltage transients that could either cause the clock to gain time or damage the device. The shaper output drives a counter chain which performs the timekeeping function.

**50 or 60 Hz Select Inputs:** A programmable prescale counter divides the input line frequency by either 50 or 60 to obtain a 1 Hz time base. This counter is programmed to divide by 60 simply by leaving 50/60 Hz select unconnected; pull-down to  $V_{DD}$  is provided by an internal depletion device. Operation at 50 Hz is programmed by connecting 50/60 Hz select to  $V_{SS}$ .

**Display Mode Select Inputs:** In the absence of any of these three inputs, the display drivers present time-of-day information to the appropriate display digits. Internal pull-down depletion devices allow use of simple SPST switches to select the display mode. If more than one mode is selected, the priorities are as noted in Table I. Alternate display modes are selected by applying  $V_{SS}$  to the appropriate pin. As shown in *Figure 1* the code converters receive time, seconds, alarm and sleep information from appropriate points in the clock circuitry. The display mode select inputs control the gating of the desired data to the code converter inputs and ultimately (via output drivers) to the display digits.

**Time Setting Inputs:** Both fast and slow setting inputs are provided. These inputs are applied either singly or in combination to obtain the control functions listed in Table II. Again, internal pull-down depletion devices are provided; application of  $V_{SS}$  to these pins affects the control functions. Note that the control functions proper are dependent on the selected display mode. For example, a hold-time control function is obtained by selecting seconds display and actuating the slow set input. As another example, the clock time may be reset to 12:00:00 AM, by selecting seconds display and actuating both slow and fast set inputs.

**Blanking Control Inputs:** Connecting this Schmitt Trigger input to  $V_{DD}$  places all display drivers in a non-conducting, high-impedance state, thereby inhibiting the display. See *Figures 3 and 4*. Conversely  $V_{SS}$  applied to this input enables the display. This input does not have internal pull-down device.

**Output Common Source Connection:** All display output drivers are open-drain devices with all sources common

(*Figure 4*). Common source pin should be connected to  $V_{SS}$ .

**12 or 24-Hour Select Input:** By leaving this pin unconnected, the outputs for the most-significant display digit (10's of hours) are programmed to provide a 12-hour display format. An internal pull-down depletion device is again provided. Connecting this pin to  $V_{SS}$  programs the 24-hour display format. See *Figure 6* for 24-hour application.

**Power Fail Indication:** If the power to the integrated circuit drops, indicating a momentary ac power failure and possible loss of clock, the AM or PM indicator will flash at 1 Hz rate. A fast or slow set input resets an internal power failure latch and returns the display to normal.

**Alarm Operation and Output:** The alarm comparator (*Figure 1*) senses coincidence between the alarm counters (the alarm setting) and the time counters (real time). The comparator output is used to set a latch in the alarm and sleep circuits. The latch output enables the alarm output driver (*Figure 4*), the MM5384 output that is used to control the external alarm sound generator. The alarm latch remains set for 59 minutes, during which the alarm will therefore sound if the latch output is not temporarily inhibited by another latch set by the snooze alarm input or reset by the alarm off input.

**Snooze Alarm Input:** Momentarily connecting snooze to  $V_{SS}$  inhibits the alarm output for between 8 and 9 minutes, after which the alarm will again be sounded. This input is pulled-down to  $V_{DD}$  by an internal depletion device. The snooze alarm feature may be repeatedly used during the 59 minutes in which the alarm latch remains set.

**Alarm Off Input :** Momentarily connecting alarm off to  $V_{SS}$  resets the alarm latch and thereby silences the alarm. This input is also returned to  $V_{DD}$  by an internal depletion device. The momentary alarm off input also readies the alarm latch for the next comparator output, and the alarm will automatically sound again in 24 hours (or at a new alarm setting). If it is desired to silence the alarm for a day or more, the alarm off input should remain at  $V_{SS}$ .

**Sleep Timer and Output:** The sleep output at pin 14 can be used to turn off a radio after a desired time interval of up to 59 minutes. The time interval is chosen by selecting the sleep display mode. (Table I) and setting the desired time interval (Table II). This automatically results in a current-source output via pin 14, which can be used to turn on a radio (or other appliance). When the sleep counter, which counts downwards, reaches 00 minutes, a latch is reset and the sleep output current drive is removed, thereby turning off the radio. This turn-off may also be manually controlled (at any time in the countdown) by a momentary  $V_{SS}$  connection to the Snooze input. The output circuitry is the same as the other outputs (*Figure 4*).

functional description (Continued)

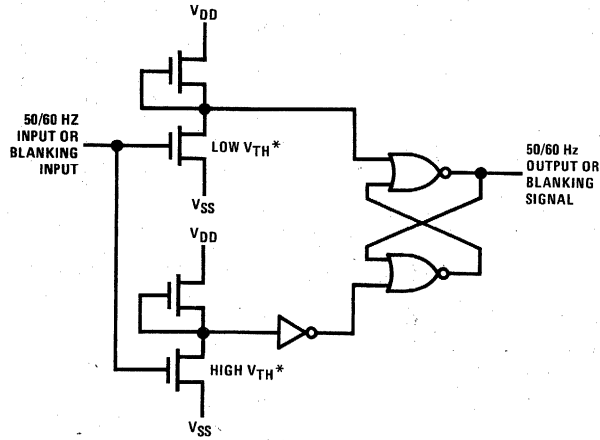


FIGURE 3. 50/60 or Blanking Input Shaping Circuits

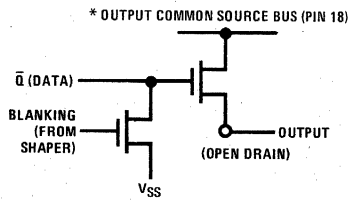


FIGURE 4a. Segment Outputs

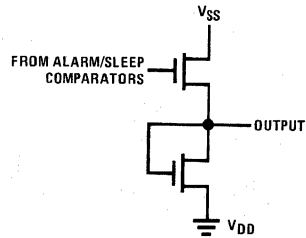


FIGURE 4b. Alarm and Sleep Outputs

TABLE I. MM5384 Display Modes

| *SELECTED DISPLAY MODE | DIGIT NO. 1           | DIGIT NO. 2 | DIGIT NO. 3     | DIGIT NO. 4 |
|------------------------|-----------------------|-------------|-----------------|-------------|
| Time Display           | 10's of Hours & AM/PM | Hours       | 10's of Minutes | Minutes     |
| Seconds Display        | Blanked               | Minutes     | 10's of Seconds | Seconds     |
| Alarm Display          | 10's of Hours & AM/PM | Hours       | 10's of Minutes | Minutes     |
| Sleep Display          | Blanked               | Blanked     | 10's of Minutes | Minutes     |

\*If more than one display mode input is applied, the display priorities are in the order of Sleep (overrides all others), Alarm, Seconds, Time (no other mode selected).

## functional description (Continued)

TABLE II. MM5384 Setting Control Functions

| SELECTED DISPLAY MODE | CONTROL INPUT                    | CONTROL FUNCTION  |
|-----------------------|----------------------------------|---|
| *Time                 | Slow<br>Fast<br>Both             | Minutes Advance at 2 Hz Rate<br>Minutes Advance at 60 Hz Rate<br>Minutes Advance at 60 Hz Rate  |
| Alarm                 | Slow<br>Fast<br>Both<br>Both     | Alarm Minutes Advance at 2 Hz Rate<br>Alarm Minutes Advance at 60 Hz Rate<br>Alarm Resets to 12:00 AM (12-hour format)<br>Alarm Resets to 00:00 (24-hour format)  |
| Seconds               | Slow<br>Fast<br><br>Both<br>Both | Input to Entire Time Counter is Inhibited (Hold)<br>Seconds and 10's of Seconds Reset to Zero Without a Carry to Minutes<br>Time Resets to 12:00:00 AM (12-hour format)<br>Time Resets to 00:00:00 (24-hour format) |
| Sleep                 | Slow<br>Fast<br>Both             | Subtracts Count at 2 Hz<br>Subtracts Count at 60 Hz<br>Subtracts Count at 60 Hz   |

\*When setting time sleep minutes will decrement at rate of time counter, until the sleep counter reaches 00 minutes (sleep counter will not recycle).

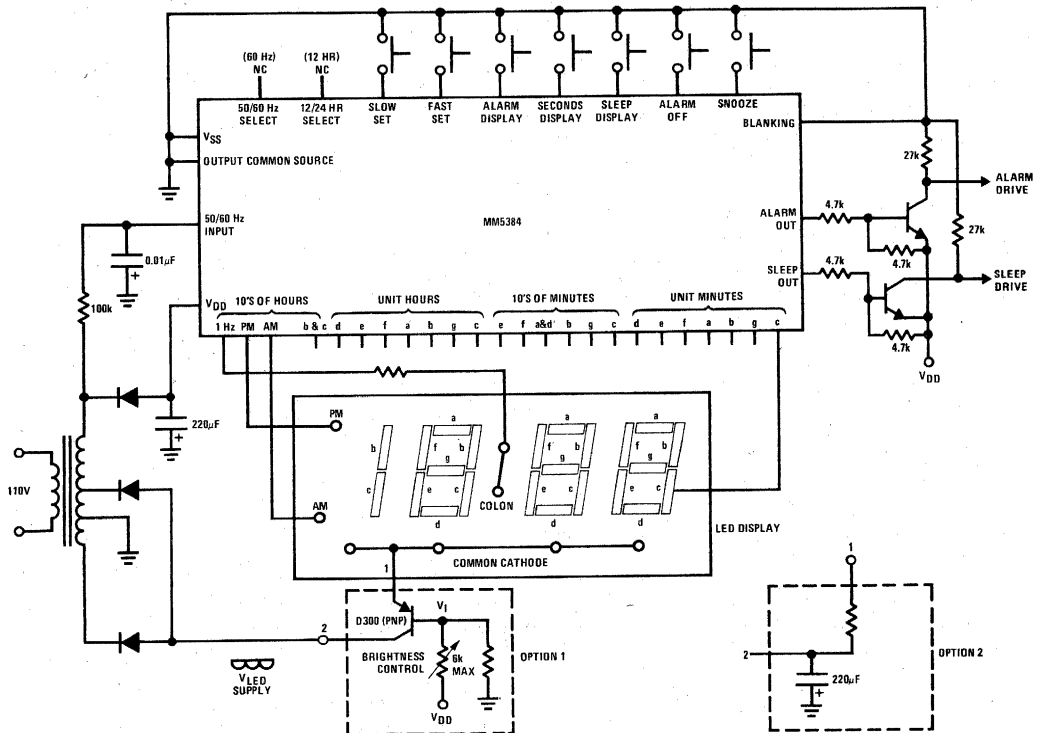


FIGURE 5. A Schematic Diagram of a General Purpose Alarm Clock (12-Hour Mode) using the MM5384 and a 3 1/2-Digit LED Display

functional description (Continued)

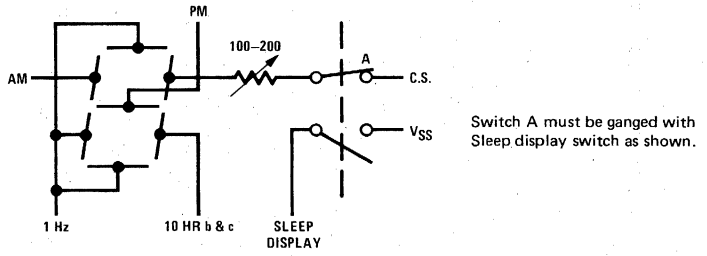


FIGURE 6. 24-Hour Operation: 10's of Hours Digit Connections





**MM5385, MM5386, MM5396, MM5397 digital alarm clocks**  
general description

The MM5385, MM5386, MM5396 and MM5397 digital alarm clocks are monolithic MOS integrated circuits utilizing P-channel low-threshold, enhancement mode and ion-implanted depletion mode devices. MM5385 or MM5396 and MM5386 or MM5397 have display formats of 12 hours and 24 hours respectively, with 24-hour alarm display capability. They provide all the logic required to build several types of clocks and timers. Four display modes (time, seconds, alarm and sleep) are provided to optimize circuit utility. The circuit interfaces directly with 7-segment light emitting diodes and requires two power supplies. The timekeeping function operates from either a 50 or 60 Hz input. MM5385 or MM5396 displays 12 hours with colon flashing at a one second rate and a PM indication. MM5386 or MM5397 displays 24 hours with leading zero blanking. Outputs consist of display drives, sleep (e.g., timed radio turn off), and alarm enable. Power failure indication is provided to inform the user that incorrect time is being displayed. The power failure indication consists of flashing of all the "ON" digits at a 1 Hz rate. Setting the time cancels this indication. The device operates over a power supply range of 18–26V and LED supply voltage of 4–7V.

The MM5396 and MM5397 are reverse lead-bend versions (mirror image) of the MM5385, MM5386 (respectively) ideally suited to facilitate PC board layouts when designing an "L" shaped clock "module" (vertical display, horizontal component board); the MM5385, MM5386 are better suited for applications where the display and IC are mounted on a PC board in the same plane. All four versions are supplied in a 40-lead dual-in-line package.

features

- 50 or 60 Hz operation
- Low power dissipation
- PM outputs in 12-hour format with a colon flashing at a one second rate ((MM5385 and MM5396 only)
- Leading zero blanking
- 24-hour alarm setting
- All counters are resettable
- Fast and slow set controls
- Power failure indication
- Blanking/brightness control capability
- Direct interface to light emitting diode (LED) with forward current of 3–15 mA
- Individual drivers for each segment of each digit
- 9-minute snooze alarm
- Presettable 59-minute sleep timer
- Radio frequency interference eliminating slow up circuitry at the outputs
- Available in standard (MM5385, MM5386) or reverse lead-bend version (MM5396, MM5397)

applications

- Alarm clocks
- Desk clocks
- Clock radios
- Stopwatches
- Industrial clocks
- Portable clocks
- Photography timers
- Industrial timers
- Appliance timers
- Sequential controllers

block diagram

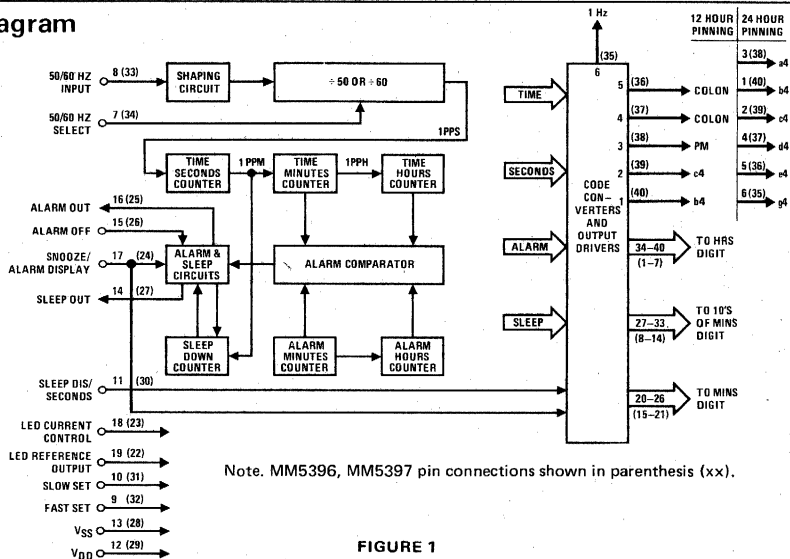


FIGURE 1

**absolute maximum ratings**

|  |                                   |
|--|-----------------------------------|
| Voltage at Any Pin                       | $V_{SS} + 0.3$ to $V_{SS} - 28V$  |
| Voltage at Any Output Pin                | $V_{SS} + 0.3$ to $V_{SS} - 7.5V$ |
| Operating Temperature                    | $-25^{\circ}C$ to $+70^{\circ}C$  |
| Storage Temperature                      | $-65^{\circ}C$ to $+150^{\circ}C$ |
| Power Dissipation                        | 1W                                |
| Lead Temperature (Soldering, 10 seconds) | $300^{\circ}C$                    |

**electrical characteristics**

$T_A$  within operating range,  $V_{SS} = 18V$  to  $26V$ ,  $V_{DD} = 0V$ , unless otherwise specified.

| PARAMETER                         | CONDITIONS   | MIN                    | TYP      | MAX        | UNITS   |
|-----------------------------------|--|------------------------|----------|------------|---------|
| Power Supply Voltage ( $V_{SS}$ ) | Output Driving Display   | 18                     |          | 26         | V       |
|                                   | Functional Clock   | 8                      |          | 26         | V       |
| Power Supply Current              | No Output Loads, $V_{SS} = 26V$  |                        |          | 5          | mA      |
| 50/60 Hz Input Frequency Voltage  |  | dc                     | 50 or 60 | 10k        | Hz      |
| Logical High Level                |  | $V_{SS}-1$             |          | $V_{SS}$   | V       |
| Logical Low Level                 |  | $V_{DD}$               |          | $V_{DD}+1$ | V       |
| All Other Input Voltages          | (Note 2)   |                        |          |            |         |
| Except Sleep/Seconds Display      |  | $V_{SS}-1$             |          | $V_{SS}$   | V       |
|                                   | Internal Depletion Device to $V_{DD}$  | $V_{DD}$               |          | $V_{DD}+7$ | V       |
| Power Failure Detect Voltage      | ( $V_{SS}$ Voltage) (Note 1)   | 1                      |          | 7.5        | V       |
| Output Currents                   | $V_{SS} = 18V$ to $26V$ ,<br>$V_{DD} = 0V$ . Current Measured in Individual Segment Driver with 0 Current in Remaining Segment Driver, LED Current Control Connected to $V_{DD}$ |                        |          |            |         |
| All Segment Drivers               | Logical High Level   | $V_{OH} = V_{SS} - 2$  | 15       |            | mA      |
|                                   | Logical Low Level  | $V_{OL} = V_{SS} - 6$  |          | 10         | $\mu A$ |
| Alarm and Sleep Outputs           | Logical High Level   | $V_{OH} = V_{SS} - 2V$ | 500      |            | $\mu A$ |
|                                   | Logical Low Level  | $V_{OL} = V_{DD} + 2$  |          | 1          | $\mu A$ |
| LED Reference Output              | LED Current Control Connected to $V_{DD}$ ,<br>$V_{SS} = 18V$ , All Segment Driver 0 Current   |                        |          |            |         |
|                                   | Logical High Level   | $V_{OH} = V_{SS} - 2$  | 15       |            | mA      |
| Logical Low Level                 | $V_{OL} = V_{SS} - 6$  |                        |          | 10         | $\mu A$ |

**Note 1:** The power-fail detect voltage is 0.5V or more above the hold count voltage. The power-fail latch trips into the power-fail mode at least 0.5V above the voltage at which data stored in the time latch is lost.

**Note 2:** Sleep/seconds display (pin 11 on MM5385 and MM5386, pin 30 on MM5396 and MM5397). Connect pin to  $V_{SS}$  for Sleep display. Connect pin to  $V_{DD}$  for Seconds display. Leave pin open for normal time display.

## functional description

A block diagram of the MM5385, MM5386, MM5396 and MM5397 digital alarm clock is shown in *Figure 1*. The various display/setting modes are listed in Table I and Table II shows the setting control functions. The following description is based on *Figure 1*; for simplification, pin numbers in the text are shown only for the MM5385 and MM5386, but pin connections for the MM5396 and MM5397 may be cross-referenced from the diagrams in *Figure 2*.

**50 or 60 Hz Input (pin 8):** A shaping circuit (*Figure 3*) is provided to square the 50 or 60 Hz input. This circuit allows use of a filtered sinewave input. The circuit is a Schmitt Trigger that is designed to provide about 6V of hysteresis. A simple RC filter, such as shown in *Figure 7*, should be used to remove possible line-voltage transients that could either cause the clock to gain time or damage the device. The input should swing between  $V_{SS}$  and  $V_{DD}$ . The shaper output drives a counter chain which performs the timekeeping function.

**50 or 60 Hz Select Input (pin 7):** A programmable prescale counter divides the input line frequency by either 50 or 60 to obtain a 1 pps time base. This counter is programmed to divide by 60 simply by leaving pin 7 unconnected; pull-down to  $V_{DD}$  is provided by an internal depletion load. Operation at 50 Hz is programmed by connecting pin 7 to  $V_{SS}$ .

**Display Mode Select Inputs (pins 11 and 17):** In the absence of any of these two inputs (i.e., pin open), the display drivers present time-of-day information to the appropriate display digits. Snooze/alarm display input has an internal pull-down depletion load to  $V_{DD}$ . Sleep/seconds display input has an internal voltage control which allows this input to assume three input states. The sleep time can be displayed by connecting pin 11 to  $V_{SS}$  and seconds can be displayed by connecting pin 11 to  $V_{DD}$ , and if pin 11 is left open, normal time is displayed. If more than one mode is selected, the priorities are as noted in Table I. As shown

in *Figure 1* the code converters receive time, alarm and sleep information from appropriate points in the clock circuitry. The display mode select inputs control the gating of the desired data to the code converter inputs and ultimately (via output drivers) to the display digits.

**Time Setting Inputs (pins 9 and 10):** Both fast and slow setting inputs are provided. These inputs are applied either singly or in combination to obtain the control functions listed in Table II. Again, internal depletion loads to  $V_{DD}$  are provided, application of  $V_{SS}$  to these pins affects the control functions. Note that the control functions proper are dependent on the selected display mode. For example, a hold-time control function is obtained by selecting seconds display and actuating the slow set input. As another example, the clock time may be reset to 12:00:00 AM (midnight), in the 12-hour format (0:00:00 in the 24-hour format), by selecting seconds display and actuating both slow and fast set inputs.

**Alarm Operation and Output (pin 16);** The alarm comparator (*Figure 1*) senses coincidence between the alarm counters (the alarm setting) and the time counters (real time). The comparator output is used to set a latch in the alarm and sleep circuits. The latch output enables the open drain alarm output driver to control the external alarm sound generator. The alarm latch remains set for 59 minutes, during which the alarm will therefore sound if the latch output is not temporarily inhibited by another latch set by the snooze alarm input (pin 17) or reset by the alarm "OFF" input (pin 15).

**Snooze/Alarm Display (pin 17):** Momentarily connecting pin 17 to  $V_{SS}$  inhibits the alarm output for between 8 and 9 minutes after which the alarm will again be sounded and display alarm time. This input is pulled-down to  $V_{DD}$  by an internal depletion load. The snooze alarm feature may be repeatedly used during the 59 minutes in which the alarm latch remains set; connecting pin 17 to  $V_{SS}$  displays alarm time.

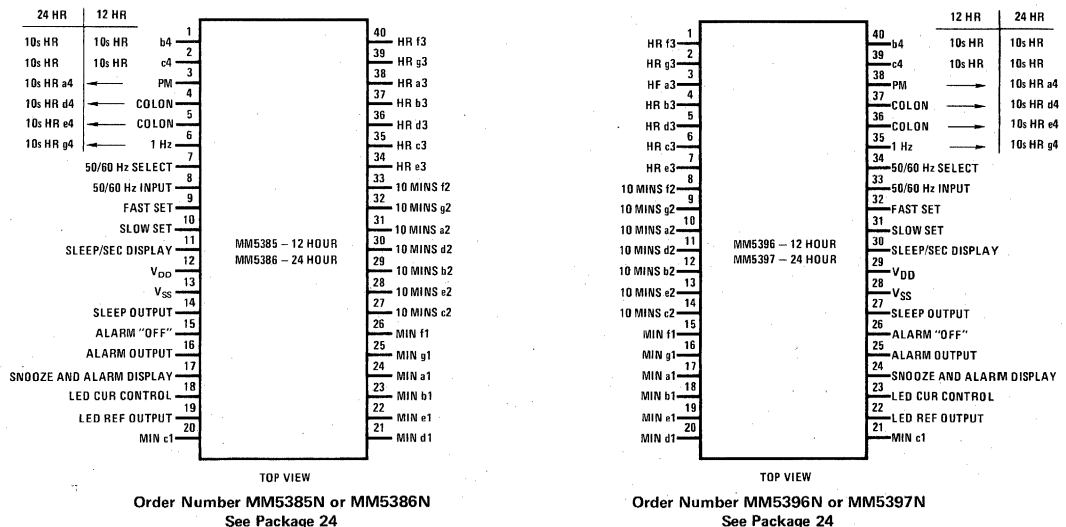


FIGURE 2

## functional description (Continued)

**Alarm "OFF" Input (pin 15):** Momentarily connecting pin 15 to  $V_{SS}$  resets the alarm latch and thereby silences the alarm. This input is also returned to  $V_{DD}$  by an internal depletion load. The momentary alarm "OFF" input also readies the alarm latch for the next comparator output, and the alarm will automatically sound again in 24 hours (or at a new alarm setting). If it is desired to silence the alarm for a day or more, the alarm "OFF" input should remain at  $V_{SS}$ .

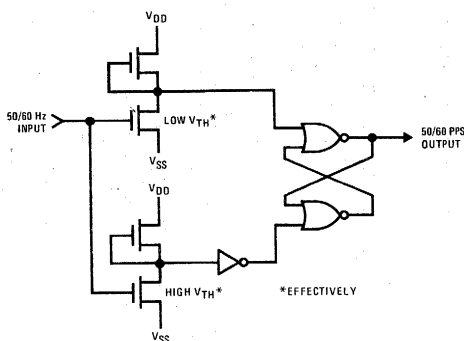


FIGURE 3. 50/60 Hz Input Shaping Circuits

**Sleep Timer and Output (pin 14):** The sleep output at pin 14 can be used to turn off a radio after a desired time interval of up to 59 minutes. The time interval is chosen by selecting the sleep display mode (Table I) and setting the desired time interval (Table II). This automatically results in a current-source output via pin

14, which can be used to turn on a radio (or other appliance). When the sleep counter, which counts downwards, reaches 00 minutes, a latch is reset and the sleep output drive is removed, thereby turning off the radio. This turn off may also be manually controlled (at any time in the countdown) by a momentary  $V_{SS}$  connection to the snooze input (pin 17).

**Segment Outputs (pins 1–6 and 20–40):** All segment outputs are open drain devices with all sources connected to  $V_{SS}$ . Each segment output may source direct current of 15 mA at 2V on the output device. Figure 5(b) shows the output resistance ( $R_{ON}$ ) of segment driver with respect to  $V_{DD}$ .

**Power Failure Indications:** Power failure indication is shown by the flashing of all "ON" digits at 1 Hz rate. A fast or slow set input resets an internal power failure latch and returns the display to normal. The power failure latch trips into the power failure mode prior to the loss of data stored in the time latches. When powered up, alarm and sleep outputs will be in the "OFF" state. In order to assure guaranteed power fail indication, power supply rise time should not exceed 10 V/ms.

### LED CURRENT CONTROL INPUT AND REFERENCE OUTPUT (PINS 19 AND 18)

Pin 18 controls the gate voltage at all the display outputs and the reference device. The output drivers can be disabled by connecting pin 18 to  $V_{SS}$ . This wire-OR capability allows the display to be used for other functions (e.g., temperature, radio frequency wavelength).

TABLE I. MM5385, MM5386, MM5396, MM5397 Display Modes

| *SELECTED DISPLAY MODE | DIGIT NO. 1           | DIGIT NO. 2 | DIGIT NO. 3     | DIGIT NO. 4 |
|------------------------|-----------------------|-------------|-----------------|-------------|
| Time Display           | 10's of Hours & AM/PM | Hours       | 10's of Minutes | Minutes     |
| Seconds Display        | Blanked               | Minutes     | 10's of Seconds | Seconds     |
| Alarm Display          | 10's of Hours & AM/PM | Hours       | 10's of Minutes | Minutes     |
| Sleep Display          | Blanked               | Blanked     | 10's of Minutes | Minutes     |

\*If more than one display mode input is applied, the display priorities are in the order of Sleep (overrides all others), Alarm, Seconds, Time (no other mode selected).

TABLE II. MM5385, MM5386, MM5396, MM5397 Setting Control Functions

| SELECTED DISPLAY MODE | CONTROL INPUT | CONTROL FUNCTION   |
|-----------------------|---------------|--|
| *Time                 | Slow          | Minutes Advance at 2 Hz Rate   |
|                       | Fast          | Minutes Advance at 60 Hz Rate  |
|                       | Both          | Minutes Advance at 60 Hz Rate  |
| Alarm                 | Slow          | Alarm Minutes Advance at 2 Hz Rate                                   |
|                       | Fast          | Alarm Minutes Advance at 60 Hz Rate                                  |
|                       | Both          | Alarm Resets to 12:00 AM (Midnight) (MM5385, MM5396)                 |
|                       | Both          | Alarm Resets to 0:00 (MM5386, MM5397)                                |
|                       | Both          | Input to Entire Time Counter is Inhibited (Hold)                     |
| Seconds               | Slow          | Seconds and 10's of Seconds Reset to Zero Without a Carry to Minutes |
|                       | Fast          | Time Resets to 12:00:00 AM (Midnight) (MM5385, MM5396)               |
|                       | Both          | Time Resets to 0:00:00 (MM5386, MM5397)                              |
|                       | Both          | Time Resets to 0:00:00 (MM5386, MM5397)                              |
| Sleep                 | Slow          | Subtracts Count at 2 Hz  |
|                       | Fast          | Subtracts Count at 60 Hz   |
|                       | Both          | Subtracts Count at 60 Hz   |

\*When setting time sleep minutes will decrement at rate of time counter, until the sleep counter reaches 00 minutes (sleep counter will not recycle).

### functional description (Continued)

The output current can be controlled two ways: 1) driving the output in saturated mode; 2) driving the output in linear mode. (Refer to Figures 4 and 5).

1) The reference device (pins 18 and 19) is connected as a diode, and an external resistor is used to set the desired current in this diode (see Figure 4). The segment drivers of all digits are connected as current mirrors. The drain voltage V1 of the segment drivers is selected such that these devices operate in saturation mode. Since the drain current variation in saturation mode operation of the MOS device is relatively constant, the segment drive current does not vary significantly, even though V1 is increased considerably. However, as the voltage across the output buffers increases, average power dissipation also increases linearly. This technique of current control is recommended to be used only with low current LEDs (1–7 mA).

2) The high current drive requirement of large LED displays can be accomplished by operating the segment drivers in the linear mode. The circuit for high current LED drivers is shown in Figure 5. The reference output device is used in series with a reference LED, diode and current setting resistor. A high beta PNP transistor provides the current drive for all the segments. A reference voltage V3 is developed which compensates for variations in MOS process parameter and the variations in the voltage drop across the LED. The resistor sets the current in the reference LED which sets the reference voltage V3. This in turn sets the current in the LEDs equal to resistor current less the base current of the transistor. Variation in second supply voltage does not vary the LED currents so long as the PNP transistor is kept operating in the linear mode. Full wave rectified power supply without any filtering can be used as a second supply voltage V2. The LED brightness can be varied by using a variable resistor.

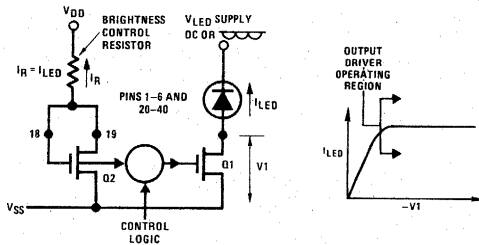


FIGURE 4(a). Low Current LED Drive Control Circuit (1–7 mA)

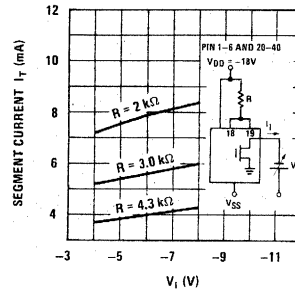


FIGURE 4(b). Segment Current vs V<sub>1</sub> (V<sub>DD</sub> at -18V) (Typical Output Characteristics)

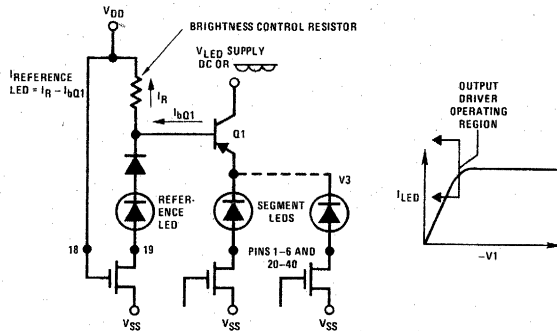


FIGURE 5(a). High Current LED Drive Control Circuit (7–15 mA)

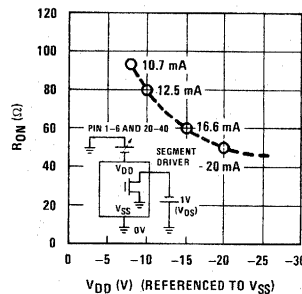


FIGURE 5(b). RON vs V<sub>DD</sub> (V<sub>DS</sub> at -1V) (Typical Output Characteristics)

**functional description** (Continued)

Figure 6 shows a LED drive circuit which uses a single resistor. The resistor controls the total current flowing through all the segments. Brightness shall vary depending on number of segments that are on at that time.

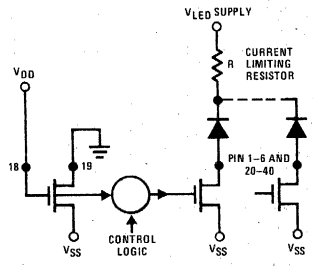


FIGURE 6. Simple LED Drive Circuit

**Radio Frequency Interference:** All display outputs include circuitry to slow up the switching transition time to minimize radio frequency interference.

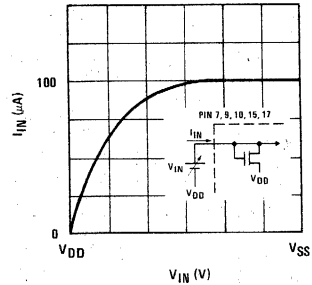


FIGURE 7.  $I_{IN}$  vs  $V_{IN}$  (Typical Input Depletion Load Characteristics)

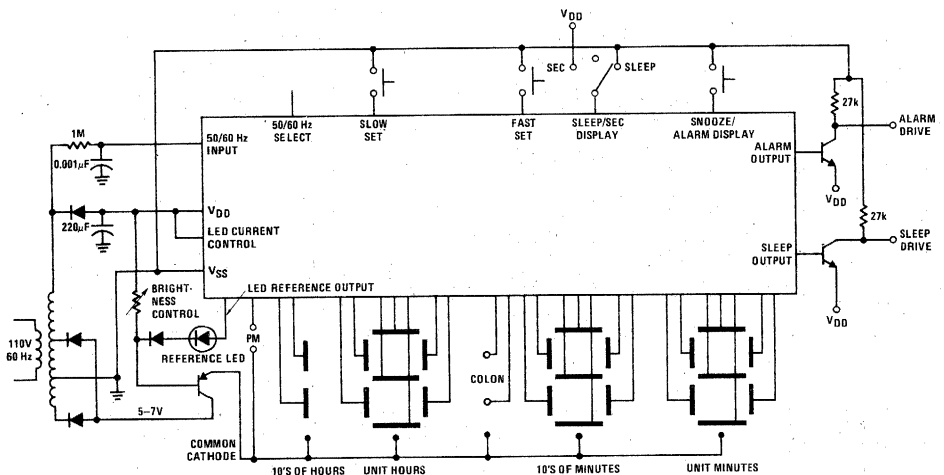


FIGURE 8. General Purpose Alarm Clock Using the MM5385 or MM5396 and LED Display



## MM5387AA, MM53108 digital alarm clocks

### general description

The MM5387AA, MM53108 digital alarm clocks are monolithic MOS integrated circuits utilizing P-channel low-threshold, enhancement mode and ion-implanted depletion mode devices. They provide all the logic required to build several types of clocks and timers with up to four display modes (time, seconds, alarm and sleep) to maximize circuit utility, but are specifically intended for clock-radio applications. Both devices will directly-drive 7-segment LED displays in either a 12 hour format (3½ digits) with lead-zero blanking, AM/PM indication and flashing colon, or 24 hour format (4 digits) through hard-wire pin selection; the timekeeping function operates from either a 50 or 60 Hz input, also through pin selection. Outputs consist of display drivers, sleep (e.g., timed radio turn-off), and alarm enable. A power-fail indication mode is provided to inform the user of incorrect time display by flashing all "ON" digits at a 1 Hz rate, and is cancelled by simply resetting time. The device operates over a supply range of 24–26V which does not require regulation.

The MM53108 is electrically identical to the MM5387AA, but with mirror-image pin-out to facilitate PC board layout when designing a "module" where the LED display and MOS chip are mounted on the same side; the MM5387AA is more suited for "L" shaped module designs (vertical LED display, horizontal component board). Both devices are supplied in a 40-lead dual-in-line package.

### features

- 50 or 60 Hz operation
- Single power supply
- 12 or 24 hour display format
- AM/PM outputs
- Leading-zero blanking } 12 hour format
- 24-hour alarm setting
- All counters are resettable
- Fast and slow set controls
- Power failure indication
- Elimination of illegal time display at turn "ON"
- Direct interface to LED displays
- 9-minute snooze alarm
- Presetable 59-minute sleep timer
- Available in standard (MM5387AA) or mirror image (MM53108) pin-out

### applications

- Alarm clocks
- Desk clocks
- Clock radios
- Automobile clocks
- Stopwatches
- Industrial clocks
- Portable clocks
- Photography timers
- Industrial timers
- Appliance timers
- Sequential controllers

### block diagram

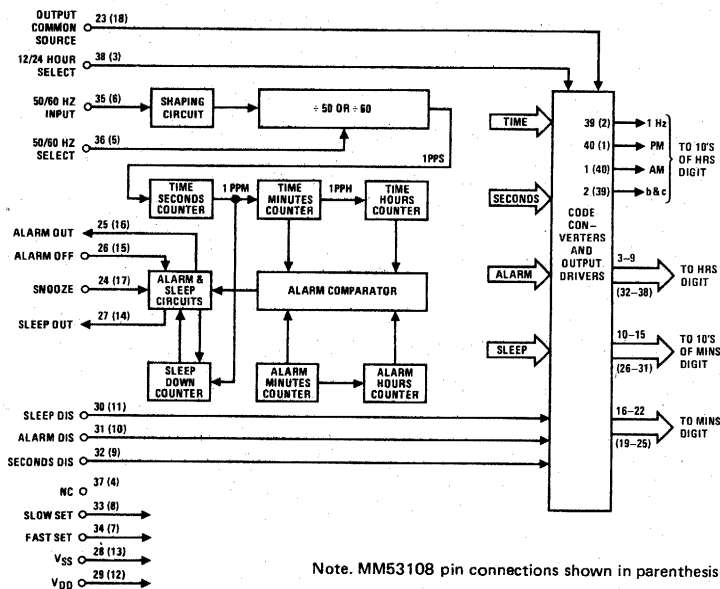


FIGURE 1

**absolute maximum ratings**

|   |                                   |
|---|-----------------------------------|
| Voltage at Any Pin Except Segment Outputs | $V_{SS} + 0.3$ to $V_{SS} - 30V$  |
| Voltage at Segment Outputs                | $V_{SS} + 0.3$ to $V_{SS} - 15V$  |
| Operating Temperature                     | $-25^{\circ}C$ to $+70^{\circ}C$  |
| Storage Temperature                       | $-65^{\circ}C$ to $+150^{\circ}C$ |
| Lead Temperature (Soldering, 10 seconds)  | 300 $^{\circ}C$                   |

**electrical characteristics**

$T_A$  within operating range,  $V_{SS} = 24V-26V$ ,  $V_{DD} = 0V$ , unless otherwise specified.

| PARAMETER                                      | CONDITIONS  | MIN        | TYP      | MAX        | UNITS   |
|--|---|------------|----------|------------|---------|
| Power Supply Voltage                           | Output Driving Display                                | 24         |          | 26         | V       |
|  | Functional Clock                                      | 8          |          | 26         | V       |
| Power Supply Current                           | No Output Loads                                       |            |          | 4          | mA      |
|  | $V_{SS} = 8V$   |            |          | 5          | mA      |
|  | $V_{SS} = 26V$  |            |          |            |         |
| 50/60 Hz Input                                 |   |            |          |            |         |
| Frequency Voltage                              | $V_{SS} = 8V$ to $26V$                                | dc         | 50 or 60 | 10k        | Hz      |
| Logical High Level                             |   | $V_{SS}-1$ | $V_{SS}$ | $V_{SS}$   | V       |
| Logical Low Level                              |   | $V_{DD}$   | $V_{DD}$ | $V_{DD}+2$ | V       |
| Input Leakage                                  |   |            |          | 100        | $\mu A$ |
| All Other Input Voltages                       |   |            |          |            |         |
| Logical High Level                             |   | $V_{SS}-1$ | $V_{SS}$ | $V_{SS}$   | V       |
| Logical Low Level                              | Internal Depletion Load to $V_{DD}$                   | $V_{DD}$   | $V_{DD}$ | $V_{SS}-6$ | V       |
| Power Failure Detect Voltage                   | ( $V_{SS}$ Voltage), (Note 2)                         | 1          |          | 7.5        | V       |
| Count Operating Voltage                        |   | 8          |          | 26         | V       |
| Hold Count Voltage                             |   | (Note 2)   |          | 26         | V       |
| Output Current Levels                          | $V_{SS} = 24V$ to $26V$ ,<br>Output Common = $V_{SS}$ |            |          |            |         |
| 10's of Hours (b & c), 10's of Minutes (a & d) |   |            |          |            |         |
| Logical High Level, Source                     | $V_{OH} = V_{SS} - 4V$                                | 16         |          |            | mA      |
| Logical Low Level, Leakage                     | $V_{OL} = V_{SS} - 14V$                               |            |          | 10         | $\mu A$ |
| 1 Hz Display                                   |   |            |          |            |         |
| Logical High Level, Source                     | $V_{OH} = V_{SS} - 4$                                 | 24         |          |            | mA      |
| Logical Low Level, Leakage                     | $V_{OL} = V_{SS} - 14$                                |            |          | 10         | $\mu A$ |
| All Other Displays                             |   |            |          |            |         |
| Logical High Level, Source                     | $V_{OH} = V_{SS} - 4V$                                | 8          |          | (Note 1)   | mA      |
| Logical Low Level, Leakage                     | $V_{OL} = V_{SS} - 14V$                               |            |          | 10         | $\mu A$ |
| Alarm and Sleep Outputs                        | $V_{SS} = 24V$  |            |          |            |         |
| Logical High, Source                           | $V_{OH} = V_{SS} - 2$                                 | 500        |          |            | $\mu A$ |
| Logical Low, Sink                              | $V_{OL} = V_{SS} - 2$                                 | 1          |          |            | $\mu A$ |

**Note 1:** Segment output current must be limited to 11 mA maximum by user; power dissipation must be limited to 900 mW at  $70^{\circ}C$  and 1.2W at  $25^{\circ}C$ .

**Note 2:** The power-fail detect voltage is 0.5V or more above the hold count voltage. The power-fail latch trips into power-fail mode at least 0.5V above the voltage at which data stored in the time latch is lost.



## functional description

A block diagram of the MM5387AA, MM53108 digital clock radio circuit is shown in *Figure 1*. The various display setting modes are listed in Table I, and Table II shows the setting control functions. The following description is based on *Figure 1* and refers to both devices as they are electrically identical.

**50 or 60 Hz Input:** A shaping circuit (*Figure 3*) is provided to square the 50 or 60 Hz input. This circuit allows use of a filtered sinewave input. The circuit is a Schmitt trigger that is designed to provide about 6V of hysteresis. A simple RC filter such as shown in *Figure 7*, should be used to remove possible line-voltage transients that could either cause the clock to gain time or damage the device. The shaper output drives a counter chain which performs the timekeeping function.

**50 or 60 Hz Select Input:** A programmable prescale counter divides the input line frequency by either 50 or 60 to obtain a 1 Hz time base. This counter is programmed to divide by 60 simply by leaving 50/60 Hz select unconnected; pull-down to  $V_{DD}$  is provided by an internal depletion load. Operation at 50 Hz is programmed by connecting 50/60 Hz select to  $V_{SS}$ .

**Display Mode Select Inputs:** In the absence of any of these three inputs, the display drivers present time-of-day information to the appropriate display digits. Internal depletion pull-down devices allow use of simple SPST switches to select the display mode. If more than one mode is selected, the priorities are as noted in Table I. Alternate display modes are selected by applying  $V_{SS}$  to the appropriate pin. As shown in *Figure 1* the code converters receive time, seconds, alarm and sleep information from appropriate points in the clock circuitry. The display mode select inputs control the

gating of the desired data to the code converter inputs and ultimately (via output drivers) to the display digits.

**Time Setting Inputs:** Both fast and slow setting inputs are provided. These inputs are applied either singly or in combination to obtain the control functions listed in Table II. Again, internal depletion pull-down devices are provided; application of  $V_{SS}$  to these pins affects the control functions. Note that the control functions proper are dependent on the selected display mode. For example, a hold-time control function is obtained by selecting seconds display and actuating the slow set input. As another example, the clock time may be reset to 12:00:00 AM, by selecting seconds display and actuating both slow and fast set inputs.

**Output Common Source Connection:** All display output drivers are open-drain devices with all sources common (*Figure 4a*). The common source pin should be connected to  $V_{SS}$ .

**12 or 24 Hour Select Input:** By leaving this pin unconnected, the outputs for the most-significant display digit (10's of hours) are programmed to provide a 12-hour display format. An internal depletion pull-down device is again provided. Connecting this pin to  $V_{SS}$  programs the 24-hour display format. Segment connections for 10's of Hours in 24-hour mode are shown in *Figure 6*.

**Power Fail Indication:** If the power to the integrated circuit drops, indicating a momentary ac power failure and possible loss of clock, all "ON" segments will flash at 1 Hz rate. A fast or slow set input resets an internal power failure latch and returns the display to normal.

## connection diagrams

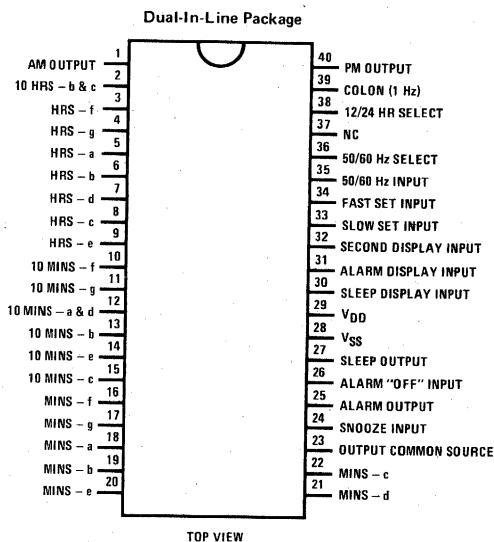


FIGURE 2(a). MM5387AA

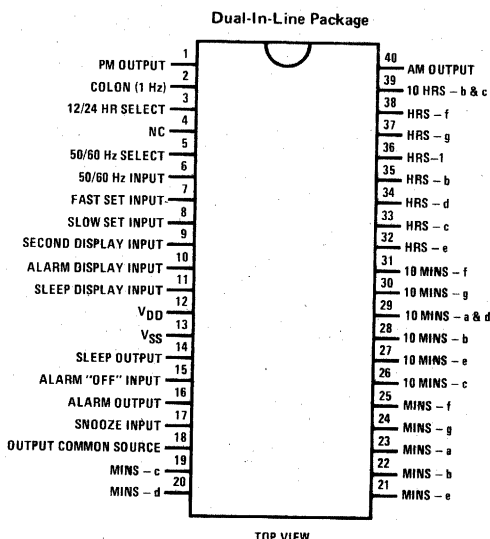


FIGURE 2(b). MM53108 (Mirror Image Pin-Out)



functional description (Continued)

TABLE I. MM5387AA, MM53108 Display Modes

| *SELECTED DISPLAY MODE | DIGIT NO. 1           | DIGIT NO. 2 | DIGIT NO. 3     | DIGIT NO. 4 |
|------------------------|-----------------------|-------------|-----------------|-------------|
| Time Display           | 10's of Hours & AM/PM | Hours       | 10's of Minutes | Minutes     |
| Seconds Display        | Blanked               | Minutes     | 10's of Seconds | Seconds     |
| Alarm Display          | 10's of Hours & AM/PM | Hours       | 10's of Minutes | Minutes     |
| Sleep Display          | Blanked               | Blanked     | 10's of Minutes | Minutes     |

\* If more than one display mode input is applied, the display priorities are in the order of Sleep (overrides all others), Alarm, Seconds, Time (no other mode selected).

TABLE II. MM5387AA, MM53108 Setting Control Functions

| SELECTED DISPLAY MODE | CONTROL INPUT | CONTROL FUNCTION   |
|-----------------------|---------------|--|
| *Time                 | Slow          | Minutes Advance at 2 Hz Rate   |
|                       | Fast          | Minutes Advance at 60 Hz Rate  |
|                       | Both          | Minutes Advance at 60 Hz Rate  |
| Alarm                 | Slow          | Alarm Minutes Advance at 2 Hz Rate                                   |
|                       | Fast          | Alarm Minutes Advance at 60 Hz Rate                                  |
|                       | Both          | Alarm Resets to 12:00 AM (Midnight) (12-Hour Format)                 |
|                       | Both          | Alarm Resets to 00:00 (24-Hour Format)                               |
| Seconds               | Slow          | Input to Entire Time Counter is Inhibited (Hold)                     |
|                       | Fast          | Seconds and 10's of Seconds Reset to Zero Without a Carry to Minutes |
|                       | Both          | Time Resets to 12:00:00 AM (Midnight) (12-Hour Format)               |
| Sleep                 | Both          | Time Resets to 00:00:00 (24-Hour Format)                             |
|                       | Slow          | Subtracts Count at 2 Hz  |
|                       | Fast          | Subtracts Count at 60 Hz   |
|                       | Both          | Subtracts Count at 60 Hz   |

\*When setting time sleep minutes will decrement at rate of time counter, until the sleep counter reaches 00 minutes (sleep counter will not recycle).

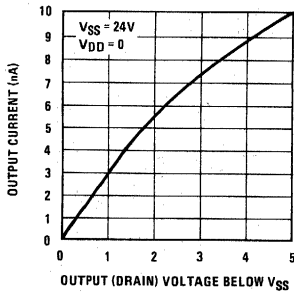
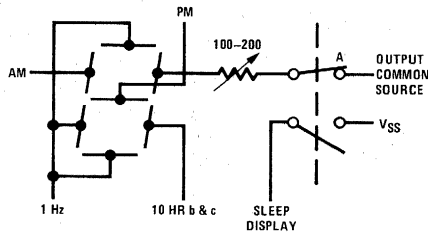


FIGURE 5. Typical Output Current Characteristics of MM5387AA, MM53108



Switch A must be ganged with Sleep display as shown.

FIGURE 6. 24-Hour Operation: 10's of Hours Digit Connections

## typical applications

Figure 7 is a schematic diagram of a general purpose alarm clock circuit (12-hour mode) using the MM5387AA or MM53108 and a 3 1/2-digit LED display.

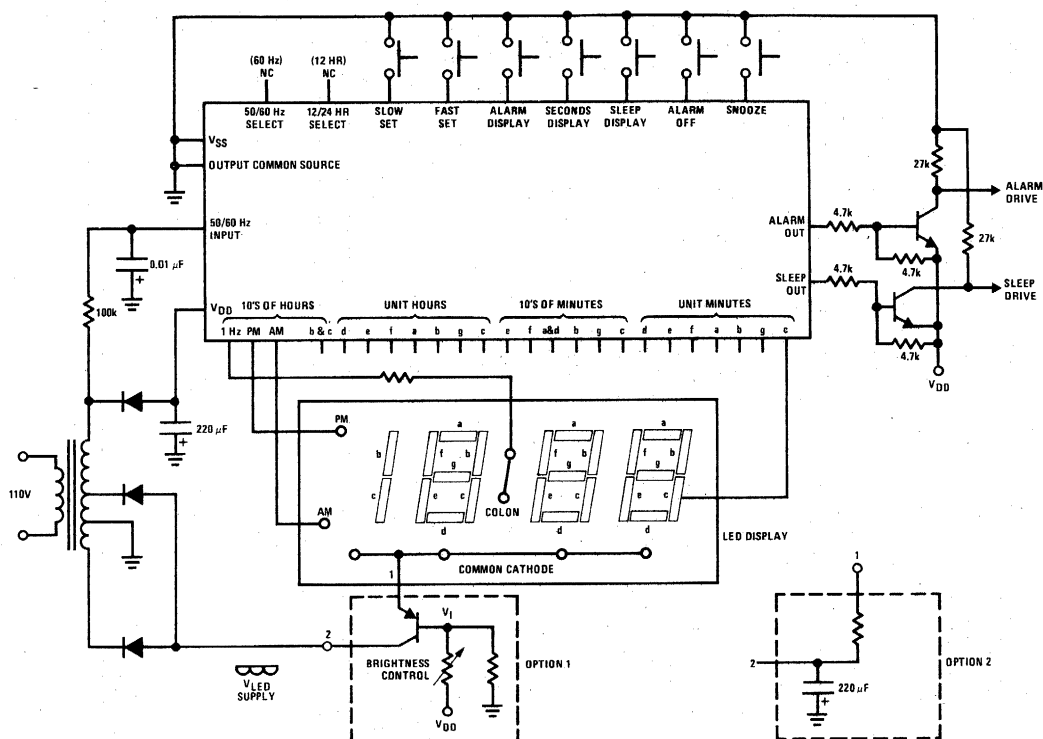


FIGURE 7



## MM5402, MM5405 digital alarm clocks

### general description

The MM5402, MM5405 digital alarm clocks are monolithic MOS integrated circuits utilizing N-channel low-threshold, enhancement mode and ion-implanted depletion mode devices. They provide all the logic required to build several types of clocks and timers with up to four display modes (time, seconds, alarm and sleep) to maximize circuit utility, but are specifically intended for clock-radio applications. Both devices will directly-drive 7-segment LED displays in either a 12-hour format (3 1/2 digits) with lead-zero blanking, AM/PM indication and flashing colon, or 24-hour format (4 digits) through hard-wire pin selection; the timekeeping function operates from either a 50 or 60 Hz input, also through pin selection. Outputs consist of display drivers, sleep (e.g., timed radio turn-off), and alarm enable. A power-fail indication mode is provided to inform the user of incorrect time display by flashing all "ON" digits at a 1 Hz rate, and is cancelled by simply resetting time. The device operates over a supply range of 7V–11V which does not require regulation.

The MM5405 is electrically identical to the MM5402, but with mirror-image pin-out to facilitate PC board layout when designing a "module" where the LED display and MOS chip are mounted on the same side; the MM5402 is more suited for "L" shaped module designs (vertical LED display, horizontal component board). Both devices are supplied in a 40-lead dual-in-line package.

### features

- 50 or 60 Hz operation
- Single power supply
- 12 or 24 hour display format
- AM/PM outputs
- Leading-zero blanking } 12 hour format
- 24-hour alarm setting
- All counters are resettable
- Fast and slow set controls
- Power failure indication
- Elimination of illegal time display at turn "ON"
- Direct interface to LED displays
- 9-minute snooze alarm
- Presetable 59-minute sleep timer
- Available in standard (MM5402) or mirror-image (MM5405) pin-out

### applications

- Alarm clocks
- Desk clocks
- Clock radios
- Automobile clocks
- Stopwatches
- Industrial clocks
- Portable clocks
- Photography timers
- Industrial timers
- Appliance timers
- Sequential controllers

### block diagram

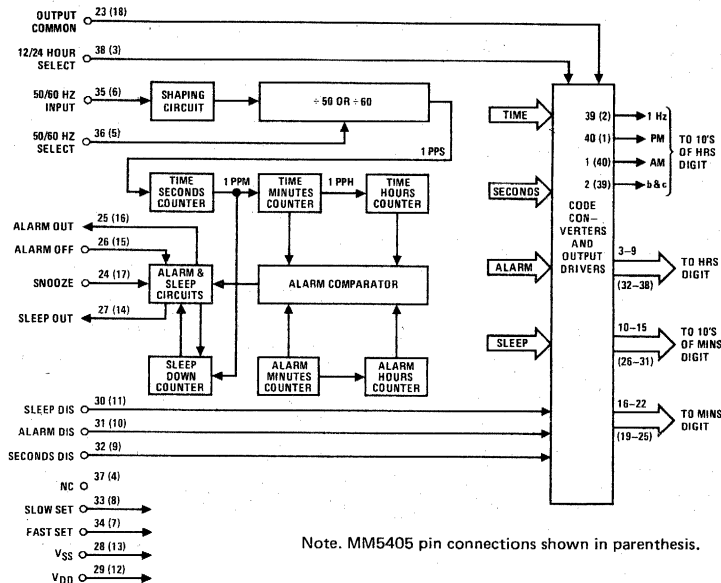


FIGURE 1

**absolute maximum ratings** (Note 1)

Voltage at Any Pin  
 Operating Temperature  
 Storage Temperature

$V_{SS}$  to  $V_{SS} + 12V$   
 $-25^{\circ}C$  to  $+70^{\circ}C$   
 $-65^{\circ}C$  to  $+150^{\circ}C$

Lead Temperature (Soldering, 10 seconds)  
 Segment Output Current

$300^{\circ}C$   
 Note 1

**electrical characteristics**  $T_A$  within operating range,  $V_{DD} = 7V$  to  $11V$ ,  $V_{SS} = 0V$ , unless otherwise specified.

| PARAMETER                                      | CONDITIONS   | MIN        | TYP      | MAX          | UNITS   |
|--|--|------------|----------|--------------|---------|
| Power Supply Voltage                           | Output Driving Display                                 | 9          |          | 11           | V       |
|  | Functional Clock                                       | 7          |          | 11           | V       |
| Power Supply Current                           | No Output Loads  |            |          | 4            | mA      |
|  | $V_{DD} = 7V$  |            |          | 5            | mA      |
|  | $V_{DD} = 11V$   |            |          |              |         |
| 50/60 Hz Input                                 |  |            |          |              |         |
| Frequency                                      | $V_{DD} = 7V$ to $11V$                                 | dc         | 50 or 60 | 10k          | Hz      |
| Logical Low Level                              |  | $V_{SS}$   | $V_{SS}$ | $V_{SS}+0.5$ | V       |
| Logical High Level                             |  | $V_{DD}-3$ | $V_{DD}$ | $V_{DD}$     | V       |
| Input Leakage                                  |  |            |          | 100          | $\mu A$ |
| All Other Input Voltages                       |  |            |          |              |         |
| Logical Low Level                              |  | $V_{SS}$   | $V_{SS}$ | $V_{SS}+0.5$ | V       |
| Logical High Level                             | Internal Depletion Load to $V_{DD}$                    | $V_{DD}-3$ | $V_{DD}$ | $V_{DD}$     | V       |
| Power Failure Detect Voltage                   | ( $V_{DD}$ Voltage), (Note 2)                          | 1          |          | 5            | V       |
| Count Operating Voltage                        |  | 7          |          | 11           | V       |
| Hold Count Voltage                             |  | (Note 2)   |          | 11           | V       |
| Alarm and Sleep Outputs                        | $V_{DD} = 11V$   |            |          |              |         |
| Logical High, Source                           | $V_{OH} = V_{SS} + 2$                                  | 1          |          |              | $\mu A$ |
| Logical Low, Sink                              | $V_{OL} = V_{SS} + 2$                                  | 5          |          |              | mA      |
| Output Current Levels                          | $V_{DD} = 9V$ to $11V$<br>Output Common = $V_{SS}$     |            |          |              |         |
| Common Anode                                   | (Figure 5a)  |            |          |              |         |
| 10's of Hours (b & c), 10's of Minutes (a & d) |  |            |          |              |         |
| Logical High Level, Leakage                    | $V_{OH} = V_{DD}$                                      |            |          | 10           | $\mu A$ |
| Logical Low Level, Sink                        | $V_{OL} = V_{SS} + 2V$                                 | 24         |          |              | mA      |
| 1 Hz Display                                   |  |            |          |              |         |
| Logical High Level, Leakage                    | $V_{OH} = V_{DD}$                                      |            |          | 10           | $\mu A$ |
| Logical Low Level, Sink                        | $V_{OL} = V_{SS} + 2V$                                 | 36         |          |              | mA      |
| All Other Segment Displays                     |  |            |          |              |         |
| Logical High Level, Leakage                    | $V_{OH} = V_{DD}$                                      |            |          | 10           | $\mu A$ |
| Logical Low Level, Sink                        | $V_{OL} = V_{SS} + 2V$                                 | 12         |          |              | mA      |
| Output Current Levels                          | $V_{DD} = 9V$ to $11V$<br>Output Common = $V_{SS} + 4$ |            |          | (Note 1)     |         |
| Common Cathode                                 | (Figure 5b)  |            |          |              |         |
| 10's of Hours (b & c), 10's of Minutes (a & d) |  |            |          |              |         |
| Logical High Level, Source                     | $V_{OH} = V_{SS} + 1.5V$                               | 20         |          |              | mA      |
| Logical Low Level, Leakage                     | $V_{OL} = V_{SS}$                                      |            |          | 10           | $\mu A$ |
| 1 Hz Display                                   |  |            |          |              |         |
| Logical High Level, Source                     | $V_{OH} = V_{SS} + 1.5V$                               | 30         |          |              | mA      |
| Logical Low Level, Leakage                     | $V_{OL} = V_{SS}$                                      |            |          | 10           | $\mu A$ |
| All Other Segment Displays                     |  |            |          |              |         |
| Logical High Level, Source                     | $V_{OH} = V_{SS} + 1.5V$                               | 10         |          |              | mA      |
| Logical Low Level, Leakage                     | $V_{OL} = V_{SS}$                                      |            |          | 10           | $\mu A$ |

**Note 1:** Segment output current must be limited to 15 mA maximum by user; power dissipation must be limited to 900 mW at  $70^{\circ}C$  and 1.2W at  $25^{\circ}C$ .

**Note 2:** The power-fail detect voltage is 0.25V or more above the hold count voltage. The power-fail latch trips into power-fail mode at least 0.25V above the voltage at which data stored in the time latch is lost.

**Note 3:** Power supply voltage should not exceed a maximum voltage of 12V under any circumstances, such as during plug in, power up, display "ON"/"OFF", or power supply ripple. Doing so runs the risk of permanently damaging the device.

## functional description

A block diagram of the MM5402, MM5405 digital clock radio circuit is shown in *Figure 1*. The various display setting modes are listed in Table I, and Table II shows the setting control functions. The following description is based on *Figure 1* and refers to both devices as they are electrically identical.

**50 or 60 Hz Input:** A shaping circuit (*Figure 3*) is provided to square the 50 or 60 Hz input. This circuit allows use of a filtered sinewave input. The circuit is a Schmitt trigger that is designed to provide about 0.8V hysteresis. A simple RC filter such as shown in *Figure 7*, should be used to remove possible line-voltage transients that could either cause the clock to gain time or damage the device. The shaper output drives a counter chain which performs the timekeeping function.

**50 or 60 Hz Select Input:** A programmable prescale counter divides the input line frequency by either 50 or 60 to obtain a 1 Hz time base. This counter is programmed to divide by 60 simply by leaving 50/60 Hz select unconnected; pull-up to VDD is provided by an internal depletion load. Operation at 50 Hz is programmed by connecting 50/60 Hz select to VSS.

**Display Mode Select Inputs:** In the absence of any of these three inputs, the display drivers present time-of-day information to the appropriate display digits. Internal depletion pull-up devices allow use of simple SPST switches to select the display mode. If more than one mode is selected, the priorities are as noted in Table I. Alternate display modes are selected by applying VSS to the appropriate pin. As shown in *Figure 1* the code converters receive time, seconds, alarm and sleep information from appropriate points in the clock circuitry. The display mode select inputs control the gating of the desired data to the code converter inputs and ultimately (via output drivers) to the display digits.

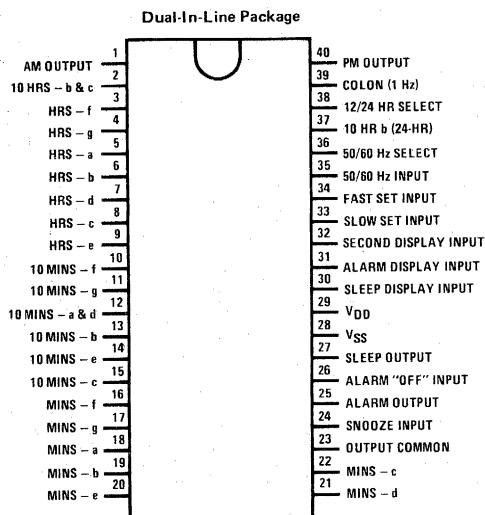
**Time Setting Inputs:** Both fast and slow setting inputs are provided. These inputs are applied either singly or in combination to obtain the control functions listed in Table II. Again, internal depletion pull-up devices are provided; application of VSS to these pins affects the control functions. Note that the control functions proper are dependent on the selected display mode. For example, a hold-time control function is obtained by selecting seconds display and actuating the slow set input. As another example, the clock time may be reset to 12:00:00 AM, by selecting seconds display and actuating both slow and fast set inputs.

**Output Common:** All display output drivers are open drain devices with all the sources connected to output common pin. This pin can be used as a common source or a common drain. When used as a common source, this pin is connected to VSS and when used as a common drain, this pin is connected to VDD. This allows the use of either common anode or common cathode LED's for displays. *Figure 5* shows these connections.

**12 or 24 Hour Select Input:** By leaving this pin unconnected, the outputs for the most-significant display digit (10's of hours) are programmed to provide a 12-hour display format. An internal depletion pull-up device is again provided. Connecting this pin to VSS programs the 24-hour display format. Segment connections for 10's of hours in 24-hour mode are shown in *Figure 6*.

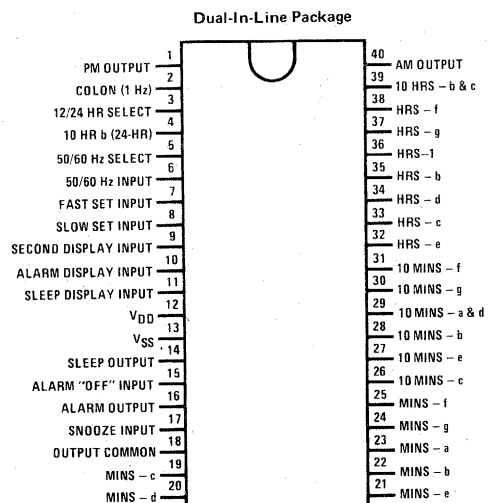
**Power Fail Indication:** If the power to the integrated circuit drops, indicating a momentary ac power failure and possible loss of clock, all "ON" segments will flash at 1 Hz rate. A fast or slow set input resets an internal power failure latch and returns the display to normal.

## connection diagrams (Top Views)



Order Number MM5402N  
See Package 24

FIGURE 2(a). MM5402



Order Number MM5405N  
See Package 24

FIGURE 2(b). MM5405 (Mirror-Image Pin-Out)

**functional description** (Continued)

**Alarm Operation and Output:** The alarm comparator (*Figure 1*) senses coincidence between the alarm counters (the alarm setting) and the time counters (real time). The comparator output is used to set a latch in the alarm and sleep circuits. The latch output enables the alarm output driver (*Figure 4b*) which is used to control the external alarm sound generator. The alarm latch remains set for 59 minutes, during which the alarm will therefore sound if the latch output is not temporarily inhibited by another latch set by the snooze alarm input or reset by the alarm "OFF" input.

**Snooze Alarm Input:** Momentarily connecting snooze to  $V_{SS}$  inhibits the alarm output for between 8 and 9 minutes, after which the alarm will again be sounded. This input is pulled-up to  $V_{DD}$  by an internal depletion device. The snooze alarm feature may be repeatedly used during the 59 minutes in which the alarm latch remains set.

**Alarm "OFF" Input:** Momentarily connecting alarm "OFF" to  $V_{SS}$  resets the alarm latch and thereby

silences the alarm. This input is also returned to  $V_{DD}$  by an internal depletion device. The momentary alarm "OFF" input also readies the alarm latch for the next comparator output, and the alarm will automatically sound again in 24 hours (or at a new alarm setting). If it is desired to silence the alarm for a day or more, the alarm "OFF" input should remain at  $V_{SS}$ .

**Sleep Timer and Output:** The sleep output can be used to turn "OFF" a radio after a desired time interval of up to 59 minutes. The time interval is chosen by selecting the sleep display mode, (Table I) and setting the desired time interval (Table II). This automatically results in a current sink output which can be used to turn "ON" a radio (or other appliance). When the sleep counter, which counts downwards, reaches 00 minutes, a latch is reset and the sleep output current drive is removed, thereby turning "OFF" the radio. This turn "OFF" may also be manually controlled (at any time in the countdown) by a momentary  $V_{SS}$  connection to the Snooze input. The output circuitry is the same as the other outputs (*Figure 4b*).

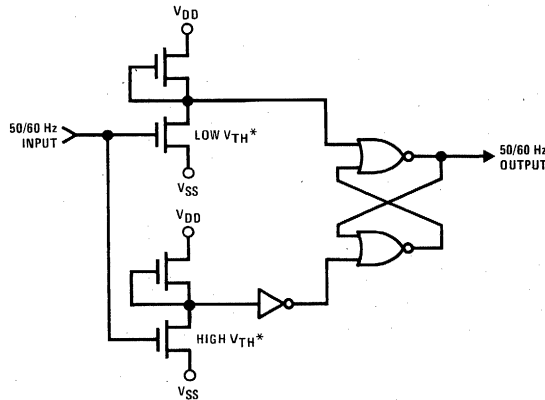


FIGURE 3. 50/60 Hz Input Shaping Circuit

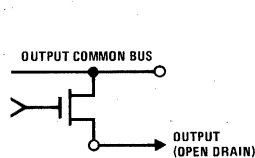


FIGURE 4 (a). Segment Outputs

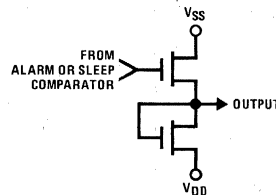


FIGURE 4 (b). Alarm and Sleep Outputs



functional description (Continued)

TABLE I. MM5402, MM5405 Display Modes

| *SELECTED DISPLAY MODE | DIGIT NO. 1           | DIGIT NO. 2 | DIGIT NO. 3     | DIGIT NO. 4 |
|------------------------|-----------------------|-------------|-----------------|-------------|
| Time Display           | 10's of Hours & AM/PM | Hours       | 10's of Minutes | Minutes     |
| Seconds Display        | Blanked               | Minutes     | 10's of Seconds | Seconds     |
| Alarm Display          | 10's of Hours & AM/PM | Hours       | 10's of Minutes | Minutes     |
| Sleep Display          | Blanked               | Blanked     | 10's of Minutes | Minutes     |

\*If more than one display mode input is applied, the display priorities are in the order of Sleep (overrides all others), Alarm, Seconds, Time (no other mode selected).

TABLE II. MM5402, MM5405 Setting Control Functions

| SELECTED DISPLAY MODE | CONTROL INPUT | CONTROL FUNCTION   |
|-----------------------|---------------|--|
| *Time                 | Slow          | Minutes Advance at 2 Hz Rate   |
|                       | Fast          | Minutes Advance at 60 Hz Rate  |
|                       | Both          | Minutes Advance at 60 Hz Rate  |
| Alarm                 | Slow          | Alarm Minutes Advance at 2 Hz Rate   |
|                       | Fast          | Alarm Minutes Advance at 60 Hz Rate  |
|                       | Both          | Alarm Resets to 12:00 AM (Midnight) (12-Hour Format)   |
|                       | Both          | Alarm Resets to 00:00 (24-Hour Format)   |
| Seconds               | Slow          | Input to Entire Time Counter is Inhibited (Hold)   |
|                       | Fast          | Seconds and 10's of Seconds Reset to Zero Without a Carry to Minutes                               |
|                       | Both          | Time Resets to 12:00:00 AM (Midnight) (12-Hour Format)<br>Time Resets to 00:00:00 (24-Hour Format) |
| Sleep                 | Slow          | Subtracts Count at 2 Hz  |
|                       | Fast          | Subtracts Count at 60 Hz   |
|                       | Both          | Subtracts Count at 60 Hz   |

\*When setting time sleep minutes will decrement at rate of time counter, until the sleep counter reaches 00 minutes (sleep counter will not recycle).

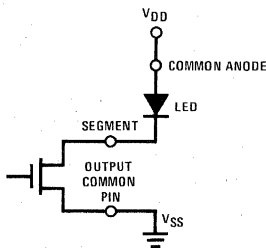


FIGURE 5(a). Common Anode Application

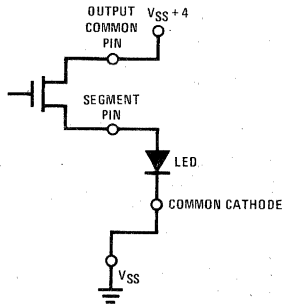


FIGURE 5(b). Common Cathode Application

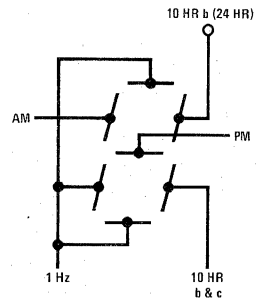


FIGURE 6. 24-Hour Operation: 10's of Hours Digit Connections

## typical applications

Figure 7 is a schematic diagram of a general purpose alarm clock circuit (12-hour mode) using the MM5402 or MM5405 and a 3 1/2-digit LED display.

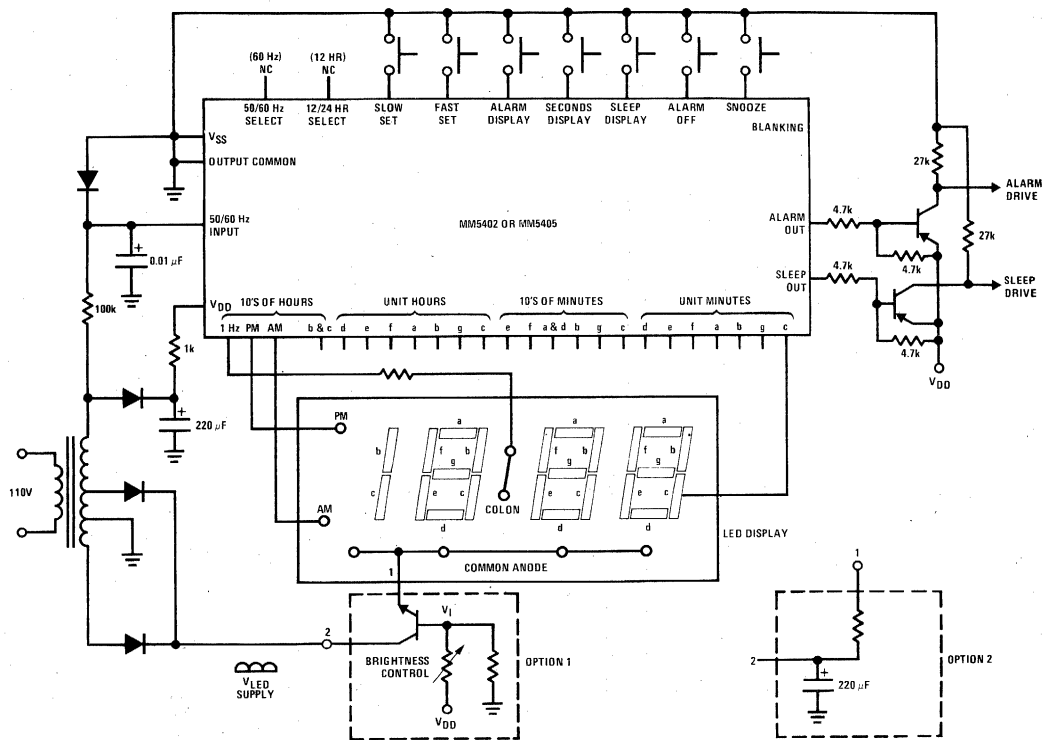


FIGURE 7



## USING NATIONAL CLOCK INTEGRATED CIRCUITS IN TIMER APPLICATIONS

### INTRODUCTION

The following is a description of a technique which allows the use of the National MM5309, MM5311, MM5312 and MM5315 clock integrated circuits as timers in industrial and consumer applications. What will be presented is the basic technique along with some simple circuitry and applications.

### BASIC TECHNIQUE

When first approaching the problem of using clock chips for timers, the most obvious technique is to attempt to compare the display data with preset BCD numbers. Because of the multiplexing and number of data bits this technique, while possible, is unwieldy and requires a large number of components.

An easier method is to use one or more demultiplexed BCD lines as control waveforms whose edges determine timer data. In *Figure 1* we examine the 1-bit of the BCD data of the units second time.

From this waveform we observe a one second wide pulse every two seconds. If we look at the 4-bit of the 10 minutes digit we find a pulse which is 20 minutes wide and occurs once each hour.

*Figure 3* is a chart showing the various pulses and their widths for all digits and the useful BCD lines.

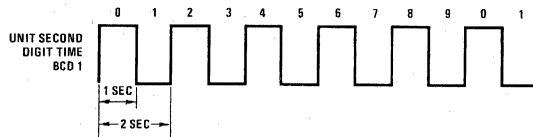


FIGURE 1. 1 Second Pulse Every 2 Seconds

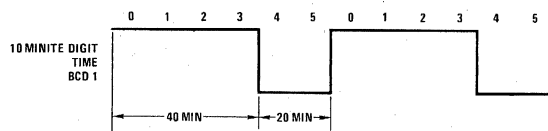


FIGURE 2. 20 Minute Pulse Every Hour

| BCD                                 | PULSE RATE     | PULSE WIDTH | BCD                                 | PULSE RATE     | PULSE WIDTH |
|-------------------------------------|----------------|-------------|-------------------------------------|----------------|-------------|
| <b>1 Sec Digit</b>                  |                |             | <b>10 Sec Digit</b>                 |                |             |
| 1                                   | 1 every 2 sec  | 1 sec*      | 1                                   | 1 every 20 sec | 10 sec*     |
| 2                                   |                |             | 2                                   | 1 every min    | 20 sec      |
| 4                                   | 1 every 10 sec | 4 sec       | 4                                   | 1 every min    | 20 sec      |
| 8                                   | 1 every 10 sec | 2 sec       | 8                                   |                |             |
| <b>1 Min Digit</b>                  |                |             | <b>10 Min Digit</b>                 |                |             |
| 1                                   | 1 every 2 min  | 1 min*      | 1                                   | 1 every 20 min | 10 min*     |
| 2                                   |                |             | 2                                   | 1 every hr     | 20 min      |
| 4                                   | 1 every 10 min | 4 min       | 4                                   | 1 every hr     | 20 min      |
| 8                                   | 1 every 10 min | 2 min       | 8                                   |                |             |
| <b>Units Hrs Digit (12 Hr Mode)</b> |                |             | <b>Units Hrs Digit (24 Hr Mode)</b> |                |             |
| 1                                   | 1 every 2 hrs  | 1 hr*       | 1                                   | 1 every 2 hrs  | 1 hr*       |
| 2                                   |                |             | 2                                   |                |             |
| 4                                   | 1 every 12 hrs | 4 hrs       | 4                                   |                |             |
| 8                                   | 1 every 12 hrs | 4 hrs       | 8                                   |                |             |
| <b>10 Hrs Digit (12 Hr Mode)</b>    |                |             | <b>10 Hrs Digit (24 Hr Mode)</b>    |                |             |
| 1                                   |                |             | 1                                   | 1 every 24 hrs | 10 hrs      |
| 2                                   | 1 every 12 hrs | 9 hrs       | 2                                   | 1 every 24 hrs | 4 hrs       |
| 4                                   | 1 every 12 hrs | 9 hrs       |                                     |                |             |
| 8                                   | 1 every 12 hrs | 9 hrs       |                                     |                |             |

\*Square waves

FIGURE 3

### SIMPLE DEMULTIPLEXING

In the simple case where, for example, a four hour wide pulse each day is desired, perhaps to turn on lights in the evening, a simple demultiplexing scheme using one diode is shown in *Figure 4*. When power is applied, the internal multiplex circuitry will strobe each digit until the digit with the diode connected is accessed. This digit will sink the multiplex charging current and stop the multiplex scanning. Thus, the BCD outputs now present the data from the selected digit. The waveforms as previously discussed are presented at the BCD lines. Note that these pulses are negative true for all BCD outputs.

An advantage of this type of timer over mechanical types is the elimination of line power drop outs. The circuit shown in *Figure 5* will maintain timing to within a few percent during periods of power line failure, but automatically return to the 60 Hz line for timing as soon as power is restored.

### MORE COMPLEX APPLICATIONS

Where it is desired to maintain the display, or in more complex timing of the "10 seconds every two hours" variety, external demultiplexing shown in *Figure 6* can be used. In this figure the BCD lines are demultiplexed with MM74C74 flip-flops. Examining the waveforms of these circuits we see two edges which allow the 10 second each two hours timing. These are differentiated by the NAND and INVERTERS and the first edge sets and the second resets the S-R flip-flop. The output of the flip-flop is ten seconds wide every two hours. By examining the edges of the *Figure 3* entries any combination of timings can be obtained with the circuit of *Figure 6*.

### LOW FREQUENCY WAVEFORM GENERATION

The asterisked BCD lines in *Figure 3* are those waveforms which are symmetric. By the use of the simple diode demultiplexing scheme previously discussed we



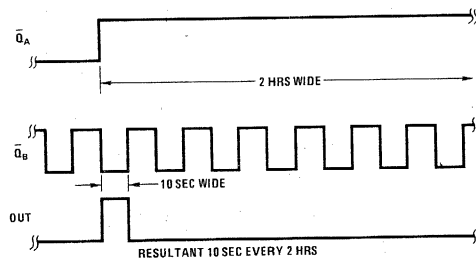
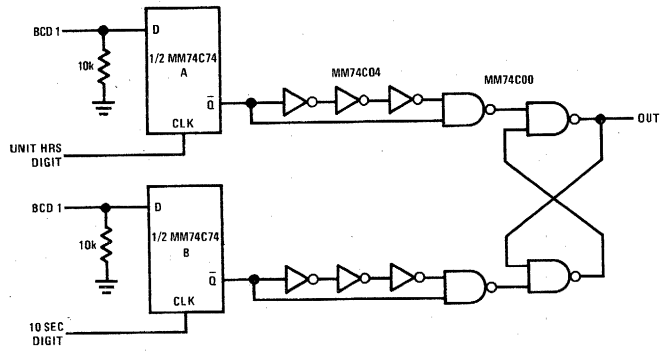
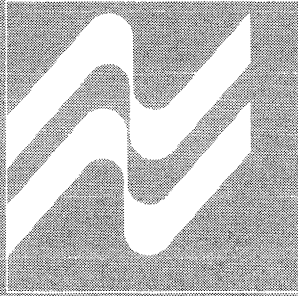


FIGURE 6. More Universal Demultiplexing Technique





**SECTION 2**  
**COUNTERS/TIMERS**





## MM5307 baud rate generator/programmable divider

### general description

The National Semiconductor MM5307 baud rate generator/programmable divider is a MOS/LSI P-channel enhancement mode device. A master clock for the device is generated either externally or by an on-chip crystal oscillator (Note 4). An internal ROM controls a divider circuit which produces the output frequency. Logic levels on the four control pins select between sixteen output frequencies. The frequencies are chosen from the following possible divisors:  $2N$ , for  $3 \leq N \leq 2048$ ;  $2N + 1$  and  $2N + 0.5$  for  $4 \leq N \leq 2048$ . Also one of the sixteen frequencies may be gated from the external frequency input. The MM5307AA is supplied with the divisors shown in Table 1.

### features

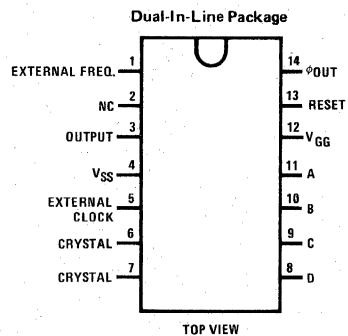
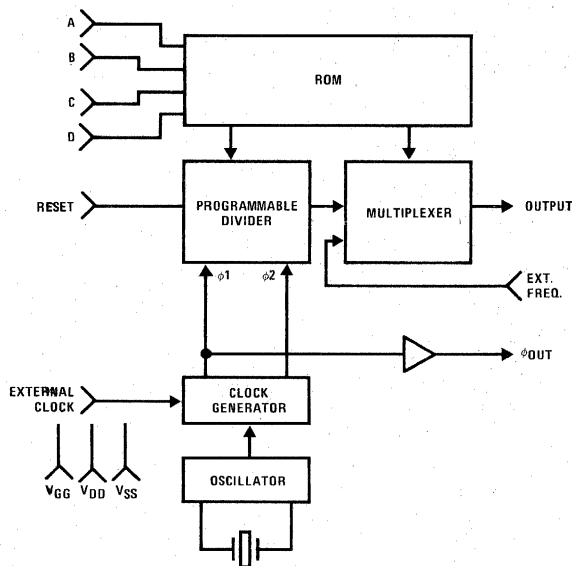
- On-chip crystal oscillator
- Choice of 16 output frequencies from 1 crystal

- External frequency input pin
- Internal ROM allows generation of other frequencies on order
- Bipolar compatibility
- 0.01% accuracy (typ) exclusive of crystal
- 1 MHz master clock frequency

### applications

- DAR/T clocks
- System clocks
- Electrically programmable counters

### schematic and connection diagrams



Order Number MM5307N  
See Package 18

**absolute maximum ratings**

|   |                         |
|---|-------------------------|
| Voltage at Any Pin With Respect to $V_{SS}$ | +0.3V to $V_{SS} - 20V$ |
| Power Dissipation                           | 700 mW                  |
| Storage Temperature Range                   | -65°C to +150°C         |
| Operating Temperature                       | 0°C to +70°C            |
| Lead Temperature (Soldering, 10 seconds)    | 300°C                   |

**dc electrical characteristics**

$T_A$  within operating range,  $V_{SS} = 5V \pm 5\%$ ,  $V_{GG} = -12V \pm 5\%$ , unless otherwise specified.

| PARAMETER | CONDITIONS   | MIN  | TYP      | MAX          | UNITS   |
|-----------|--|--|----------|--------------|---------|
| $V_{IH}$  | All Inputs (Except Crystal Pins)<br>Logical High Level | $V_{SS}-1.5$   |          | $V_{SS}+0.3$ | V       |
| $V_{IL}$  | Logical Low Level                                      | $V_{SS}-18$  |          | $V_{SS}-4.2$ | V       |
|           | Leakage  | $V_{IN} = -10V$ , $T_A = 25^\circ C$ ,<br>All Other Pins GND |          | 0.5          | $\mu A$ |
|           | Capacitance  | $V_{IN} = 0V$ , $f = 1$ MHz,<br>All Other Pins GND, (Note 1) |          | 7.0          | pF      |
|           | External Clock Duty Cycle                              | 40%  |          | 60%          |         |
|           | Capacitance Measured Across<br>Crystal Pins            | $f = 1$ MHz, (Note 3)  |          | 5.0          | pF      |
|           | Output Levels  |  |          |              |         |
| $V_{OH}$  | Logical High Level                                     | $I_{SOURCE} = -0.5$ mA                                       | $V_{SS}$ |              | V       |
| $V_{OL}$  | Logical Low Level                                      | $I_{SINK} = 1.6$ mA  |          | $V_{SS}-4.6$ | V       |
| $I_{GG}$  | Power Supply Current                                   | $f = 1$ MHz  |          | 35           | mA      |

**ac electrical characteristics**

$T_A$  within operating range  $V_{SS} = 5V \pm 5\%$ ,  $V_{GG} = -12V \pm 5\%$ , unless otherwise specified.

| PARAMETER        | CONDITIONS                         | MIN   | TYP          | MAX          | UNITS   |
|------------------|------------------------------------|---|--------------|--------------|---------|
| Master Frequency |                                    | 0.01  |              | 1.0          | MHz     |
| $t_A$            | Access Time                        | $C_L = 50$ pF, (Note 2)                       |              | 16           | $\mu s$ |
| $t_{RD}$         | Reset Delay Time                   | $f =$ Master Clock Frequency                  |              | $500 + 4/f$  | ns      |
| $R_{pw}$         | Reset Pulse Width                  |   | $500 + 4/f$  |              | ns      |
| $t_{OD}$         | Output Delay From Reset            |   |              | $500 + 4/f$  | ns      |
|                  | Output Duty Cycle = $0.5T \pm 1/f$ | $T =$ Output Period<br>$f =$ Master Frequency | $0.5T - 1/f$ | $0.5T + 1/f$ |         |

**Note 1:** Capacitance is guaranteed by periodic measurement.

**Note 2:** Access time is defined as the time from a change in control inputs (A, B, C, D) to a stable output frequency. Access time is a function of frequency. The following formula may be used to calculate maximum access time for any master frequency:  $T_A = 2.8\mu s + 1/f \times 13$ , f is in MHz.

**Note 3:** The MM5307 is designed to operate with a 1 MHz parallel resonant crystal. When ordering the crystal a value of load capacitance ( $C_L$ ) must be specified. This is the capacitance "seen" by the crystal when it is operating in the circuit. The value of  $C_L$  should match the capacitance measured at the crystal frequency across the crystal input pins on the MM5307. Any mismatch will be reflected as a very small error in the operating frequency. To achieve maximum accuracy, it may be necessary to add a small trimmer capacitor across the terminals.

**Note 4:** If the crystal oscillator is used Pin 5 (external clock) is connected to  $V_{SS}$ . If an external clock is used Pin 7 is connected to  $V_{SS}$ .

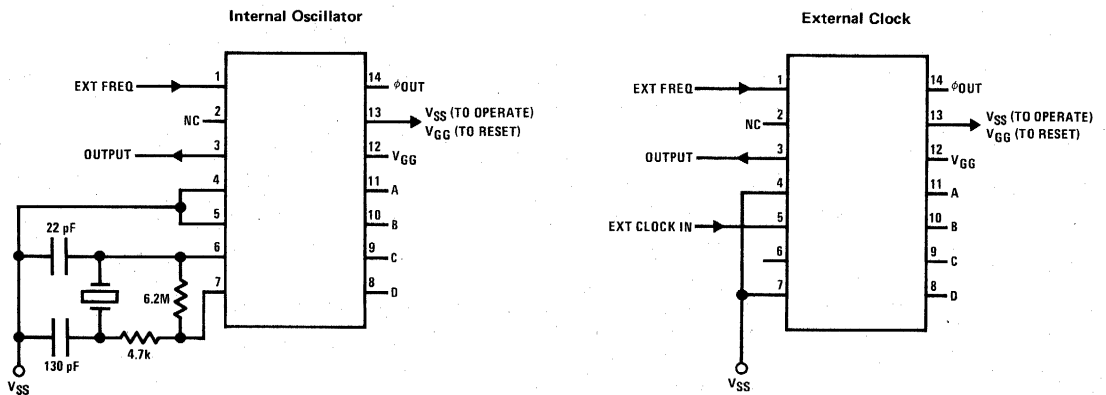
## control table

Input Freq: 921.6 kHz Master Clock

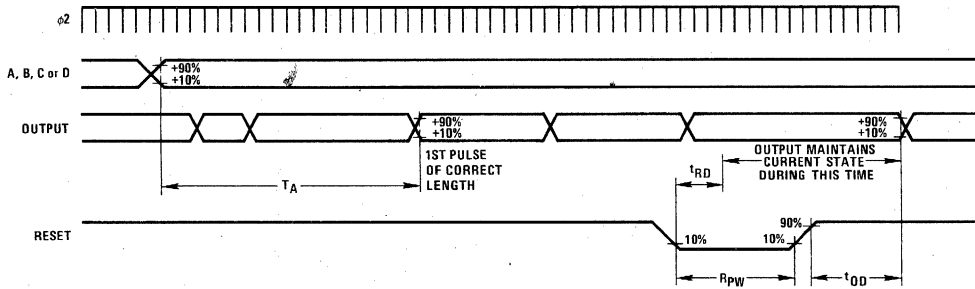
| CONTROL PINS |   |   |   | NOMINAL BAUD RATES<br>(OUTPUT FREQUENCY/16) |       |       | DIVISOR<br>FOR AA |
|--------------|---|---|---|---|-------|-------|-------------------|
| A            | B | C | D | AA  | AB    | FAG   |                   |
| 0            | 0 | 0 | 1 | 50  | 50    | 50    | 1152              |
| 0            | 0 | 1 | 0 | 75  | 200   | 75    | 768               |
| 0            | 0 | 1 | 1 | 110   | 110   | 110   | 524               |
| 0            | 1 | 0 | 0 | 134.5                                       | 134.5 | 134.5 | 428.5             |
| 0            | 1 | 0 | 1 | 150   | 150   | 150   | 384               |
| 0            | 1 | 1 | 0 | 300   | 300   | 300   | 192               |
| 0            | 1 | 1 | 1 | 600   | 600   | 600   | 96                |
| 1            | 0 | 0 | 0 | 900   | 900   | 1050  | 64                |
| 1            | 0 | 0 | 1 | 1200  | 1200  | 1200  | 48                |
| 1            | 0 | 1 | 0 | 1800  | 1800  | 45.5  | 32                |
| 1            | 0 | 1 | 1 | 2400  | 2400  | 2400  | 24                |
| 1            | 1 | 0 | 0 | 3600  | 3600  | 56.9  | 16                |
| 1            | 1 | 0 | 1 | 4800  | 4800  | 4800  | 12                |
| 1            | 1 | 1 | 0 | 7200  | 75    | 66.7  | 8                 |
| 1            | 1 | 1 | 1 | 9600  | 9600  | 9600  | 6                 |
| 0            | 0 | 0 | 0 | EXTERNAL FREQ                               |       |       |                   |

Positive Logic: 1 =  $V_H$   
0 =  $V_L$

## typical applications



## timing diagram

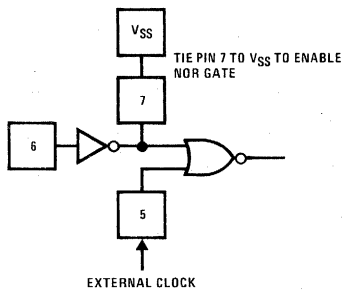


## application hints

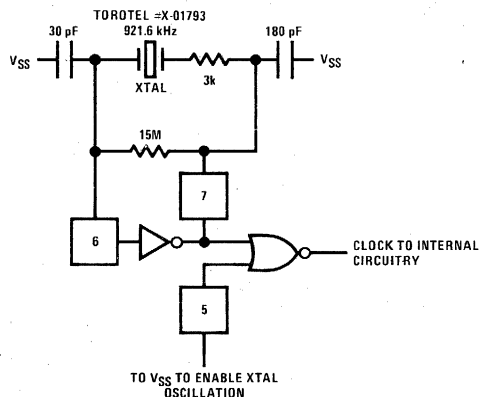
### APPLICATION NOTES

The external clock is brought in on pin 5 and pin 7 is tied to  $V_{SS}$  to enable the external clock input. Pin 6 can be left open.

- 1) To use the MM5307 with an external clock, hook it up as follows:



- 2) To use a crystal directly:



- 3) Reset (pin 13) must be at  $V_{SS}$  to operate. It may be necessary to take this to GND or  $V_{GG}$  to reset the ROM select circuit. An option is to tie  $\phi$  out (pin 14) to external Freq In (pin 1), if not otherwise used.
- 4) An interesting application might use two MM5307's in series to generate additional frequencies, i.e., with one programmed from the 921.6 kHz to 800 Hz out, a second could divide that by 16 to give a 50 Hz crystal controlled signal.
- 5) MM307AA divisors are on the data sheet. AB divisors are the same as the AA except: 1) Code 0010 is divided by 288  $\rightarrow$  32 kHz out, 200 baud; 2) Code 1110 is divided by 768  $\rightarrow$  1.2 kHz, 75 baud.

The MM5307 does not always generate an output when the power is up, even though the oscillator seems to be operating properly. In order to eliminate this problem, it is necessary to reset the chip at power "ON". This can be done manually, with a reset signal by a host system, or automatically by using R/C timing elements. The reset is done internally, when program inputs change. When using an R/C combination for auto resetting, the time constant must be several times larger than that of the power supply. For example, most lab power supplies take at least 0.5 sec for the voltage to reach 90% of full level. A 10 k $\Omega$  resistor and 300  $\mu$ F capacitor combination should be adequate for most applications.

## application hints (Continued)

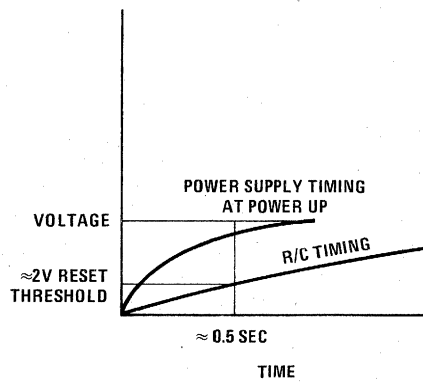
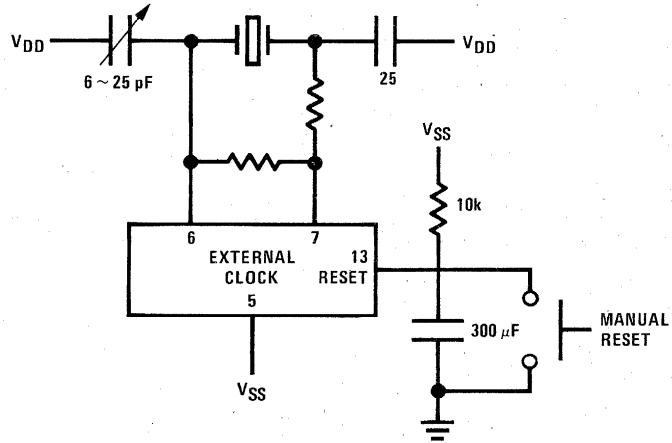


FIGURE 1



## MM5369 17-stage programmable oscillator/divider

### general description

The MM5369 is a CMOS integrated circuit with 17 binary divider stages that can be used to generate a precise 60 Hz reference from commonly available high frequency quartz crystals. An internal pulse is generated by mask programming the combinations of stages 1 through 4, 16 and 17 to set or reset the individual stages. The programmable number the circuit will divide by can vary from 10000 to 98000. The MM5369 is advanced one count on the positive transition of each clock pulse. Two buffered outputs are available: the crystal frequency for tuning purposes and the 17th stage 60 Hz output. Mask options are available for use with commonly available, low cost, high frequency crystals. Therefore, this design can be "customized" by special order to design specific programmable divider limits whereby the maximum divide-by can be 98,000 and the minimum divide-by can be 10,000. The MM5369 is available in an 8-lead dual-in-line epoxy package.

### features

- Crystal Oscillator
  - Two buffered outputs
    - Output 1 crystal frequency
    - Output 2 full division
  - High speed (4 MHz at  $V_{DD} = 10$ )
  - Wide supply range 3–15V
  - Low Power
  - Fully static operation
  - 8 lead dual-in-line package
  - Low current
- Standard MM5369N Only**
- 3.58 MHz (color TV oscillator) input frequency
  - 60 Hz output frequency

### connection diagram

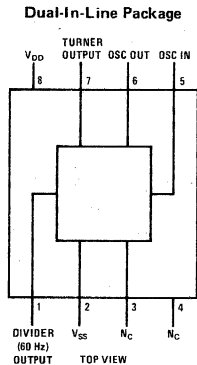


FIGURE 1.

Order Number MM5369N  
See Package 17

### block diagram

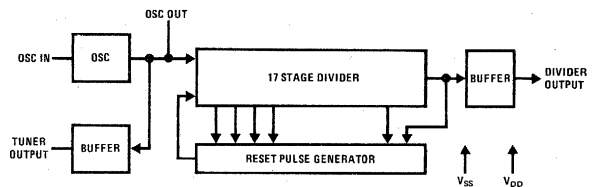


FIGURE 2.

## absolute maximum ratings

|  |                          |
|--|--------------------------|
| Voltage at Any Pin                       | -0.3V to $V_{CC} + 0.3V$ |
| Operating Temperature                    | 0°C to +70°C             |
| Storage Temperature                      | -65°C to +150°C          |
| Package Dissipation                      | 500 mW                   |
| Maximum $V_{CC}$ Voltage                 | 16V                      |
| Operating $V_{CC}$ Range                 | 3V to 15V                |
| Lead Temperature (Soldering, 10 seconds) | 300°C                    |

## electrical characteristics

$T_A$  within operating temperature range,  $V_{SS} = GND$ ,  $3V \leq V_{DD} \leq 15V$  unless otherwise specified.

| PARAMETER                | CONDITIONS                           | MIN | TYP | MAX | UNITS   |
|--------------------------|--------------------------------------|-----|-----|-----|---------|
| Quiescent Current Drain  | $V_{DD} = 15V$                       |     |     | 10  | $\mu A$ |
| Operating Current Drain  | $V_{DD} = 10V$ , $f_{IN} = 4.19 MHz$ |     | 1.2 | 2.5 | mA      |
| Frequency of Oscillation | $V_{DD} = 10V$                       | DC  |     | 4.5 | MHz     |
|                          | $V_{DD} = 6V$                        | DC  |     | 2   | MHz     |
| Output Current Levels    | $V_{DD} = 10V$                       |     |     |     |         |
|                          | $V_{OUT} = 5V$                       |     |     |     |         |
| Logical "1" Source       |                                      | 500 |     |     | $\mu A$ |
| Logical "0" Sink         |                                      | 500 |     |     | $\mu A$ |
| Output Voltage Levels    | $V_{DD} = 10V$                       |     |     |     |         |
|                          | $I_O = 10 \mu A$                     |     |     |     |         |
| Logical "1"              |                                      | 9.0 |     |     | V       |
| Logical "0"              |                                      |     |     | 1.0 | V       |

## functional description

A connection diagram for the MM5369 is shown in *Figure 1* and a block diagram is shown in *Figure 2*.

### TIME BASE

A precision time base is provided by the interconnection of a 3,579,545 Hz quartz crystal and the RC network shown in *Figure 3* together with the CMOS inverter/amplifier provided between the OSC IN and the OSC OUT terminals. Resistor R1 is necessary to bias the inverter for class A amplifier operation. Capacitors C1 and C2 in series provide the parallel load capacitance required for precise tuning of the quartz crystal.

The network shown provides  $> 100$  ppm tuning range when used with standard crystals trimmed for  $C_L = 12$  pF. Tuning to better than  $\pm 2$  ppm is easily obtainable.

### DIVIDER

A pulse is generated when divider stages 1 through 4, 16 and 17 are in the correct state. By mask options, this pulse is used to set or reset individual stages of the counter, thus varying the modulus of the counter from 10000 to 98000. *Figure 4* shows the relationship between the duty cycle and the programmed modulus.

### OUTPUTS

The Tuner Output is a buffered output at the crystal oscillator frequency. This output is provided so that the crystal frequency can be obtained without disturbing the crystal oscillator. The Divide Output is the input frequency divided by the mask programmed number. Both outputs are push-pull outputs. A typical application of the MM5369 is shown in *Figure 5*.

functional description (cont.)

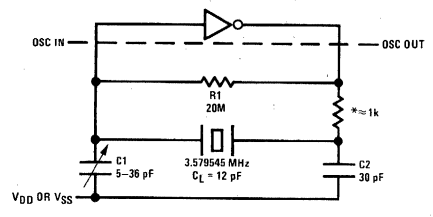


FIGURE 3. Crystal Oscillator Network

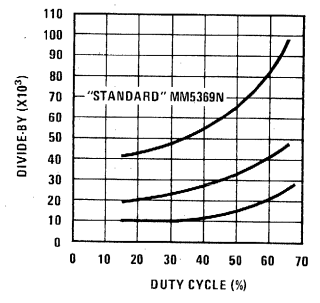


FIGURE 4. Plot of Divide-By Vs Duty Cycle

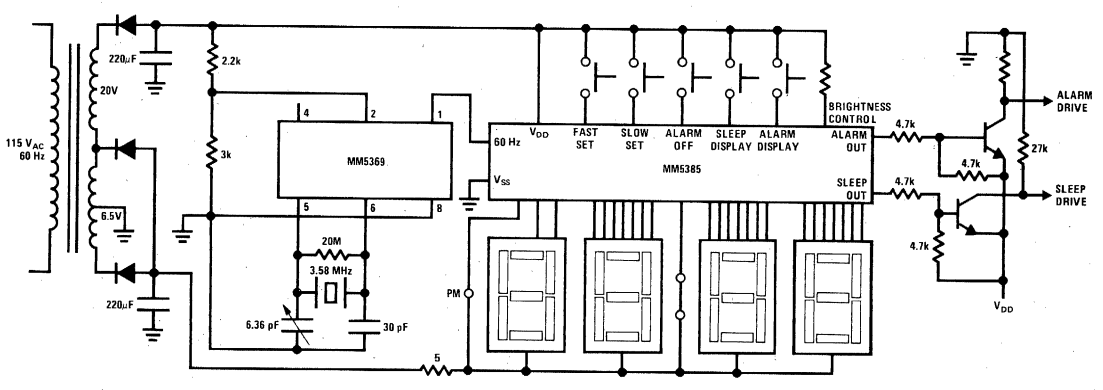


FIGURE 5. Clock Radio Circuit with Battery Back-Up

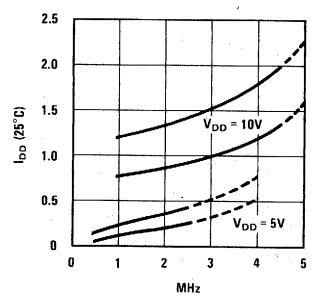


FIGURE 6. Typical Current Drain Vs Oscillator Frequency

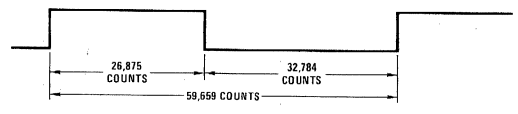


FIGURE 7. Output Waveform for Standard MM5369

\*To be selected based on xtal used





# Counters/Timers

For additional application information, see AN-168 and AN-169 at the end of this section.

## MM5865 universal timer general description

The MM5865 Universal Timer is a monolithic MOS integrated circuit utilizing P-channel low-threshold, enhancement mode and ion-implanted depletion mode devices. The chip contains all the logic required to control the two 4-digit counters, blank leading zeros, compare the two counters and to cascade with another MM5865. Input pins start, stop, reset and set the counters, determine which of the 7 functions is performed, the resolution of the display (0.01 sec, 0.1 sec, 1 sec, or external clock) and what modulo the counters divide by. Outputs include the comparator output, multiplexed BCD outputs and digit enables. The BCD outputs interface directly with MM14511, a BCD to 7-segment decoder, which interfaces with a LED display. The digit enable outputs of 2 cascaded MM5865's interface directly with a DM8863 LED 8-digit driver. A DS8877 or DS75492 Hex Digit Driver may be used with a single MM5865. The digit enable outputs interface directly with a DM8863, a LED digit driver. The 7 functions include start-stop with total elapsed time, start-stop with accumulative event time, split, sequential with total elapsed time, rally with total elapsed time, program up count and program down count. The circuit uses a 32.8 kHz crystal or an external clock and is packaged in a 40-lead dual-in-line package.

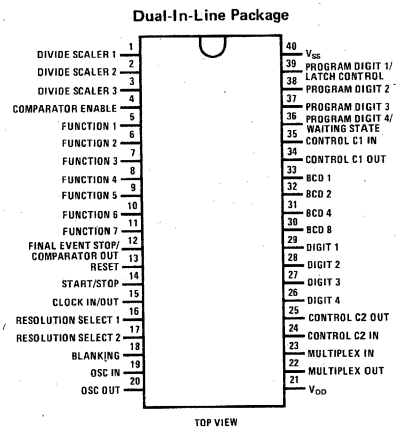
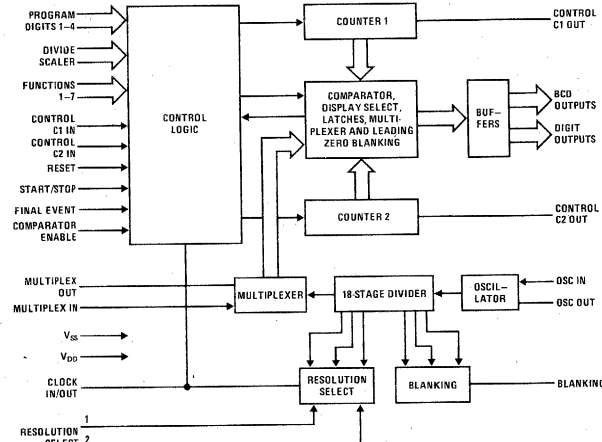
## applications

- Stop watch
- Kitchen timer
- Oven timer
- Event timer/counter
- Rally timer
- Navigational timer
- Industrial timer/counter

## features

- Function 1: Standard Start-Stop with total elapsed time memory
- Function 2: Standard Start-Stop with total accumulative event time
- Function 3: Sequential with total elapsed time memory
- Function 4: Standard split
- Function 5: Rally with total elapsed time memory
- Function 6: Programmable up count. Repeatable upon command
- Function 7: Programmable down count
- Comparator output
- Crystal controlled oscillator (32.8 kHz)
- External clock input (option)
- Provides external clock
- Select resolution
- Select count up or down
- Select modulo 6 or 10 for digits 2, 3 and 4
- Blanking between digits
- Leading-zero blanking
- Multiplex rate output
- External multiplex rate input (option)
- Can be cascaded
- Waiting state indicator
- Simple interface to LED display
- Elimination of illegal time display at turn-on
- Wide power supply range 7V–20V

## block and connection diagrams



Order Number MM5865N  
See Package 24

**FIGURE 2.**

**absolute maximum ratings**

|  |                                   |
|--|-----------------------------------|
| Voltage at Any Pin                       | $V_{SS} + 0.3V$ to $V_{SS} - 25V$ |
| Operating Temperature                    | $-25^{\circ}C$ to $+70^{\circ}C$  |
| Storage Temperature                      | $-65^{\circ}C$ to $+150^{\circ}C$ |
| Lead Temperature (Soldering, 10 seconds) | $300^{\circ}C$                    |

**electrical characteristics**

$T_A$  within operating range,  $7V \leq V_{SS} \leq 20V$ ,  $V_{DD} = 0V$ , unless otherwise specified.

| PARAMETER                     | CONDITIONS              | MIN        | TYP  | MAX        | UNITS |
|-------------------------------|-------------------------|------------|------|------------|-------|
| $I_{DD}$ Power Supply Current |                         |            | 7    | 15         | mA    |
| Input Frequency at OSC IN     | $V_{SS} \geq 10V$       | dc         | 32.8 | 80         | kHz   |
| Multiplex Frequency           |                         | dc         | 0.4  | 80         | kHz   |
| Blanking Frequency            |                         | dc         | 0.8  | 10         | kHz   |
| Clock Frequency               | $V_{SS} = 7V$           | dc         | 0.1  | 10         | kHz   |
|                               | $V_{SS} = 10V$          | dc         |      | 100        | kHz   |
| Input Levels                  |                         |            |      |            |       |
| Input Logic Low               | Internal Resistor       | $V_{DD}$   |      | $V_{DD}+1$ | V     |
| Input Logic High              | $\sim 100k$ to $V_{DD}$ | $V_{SS}-1$ |      | $V_{SS}$   | V     |

**OUTPUT CURRENTS**

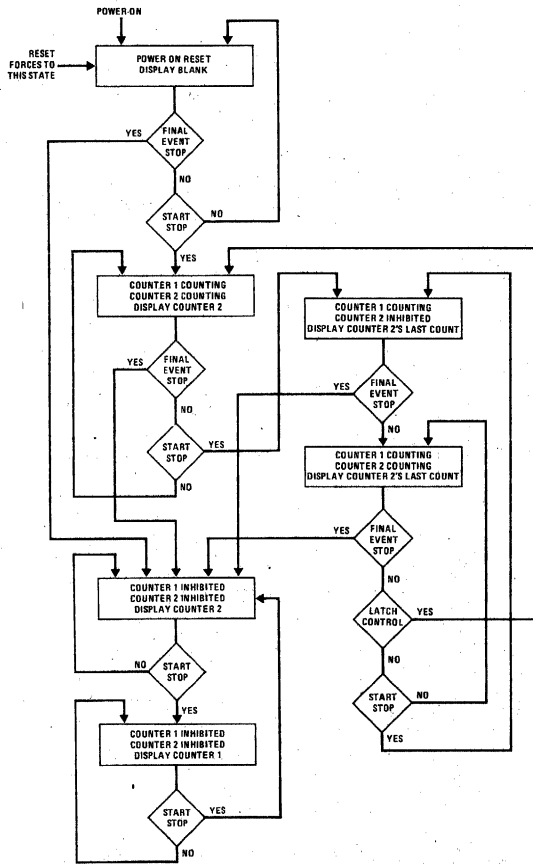
|                         |                           |     |  |  |         |
|-------------------------|---------------------------|-----|--|--|---------|
| Digit and BCD Outputs   | $V_{SS} = 7V$             |     |  |  |         |
| Source Current          | $V_{OUT} = V_{SS} - 2V$   | 1   |  |  | mA      |
| Sink Current            | $V_{OUT} = V_{SS} - 6.3V$ | 1   |  |  | $\mu A$ |
| Blanking Output         | $V_{SS} = 7V$             |     |  |  |         |
| Source Current          | $V_{OUT} = V_{SS} - 2V$   | 1   |  |  | mA      |
| Sink Current            | $V_{OUT} = V_{SS} - 6.3V$ | 1   |  |  | $\mu A$ |
| Multiplex Output        | $V_{SS} = 7V$             |     |  |  |         |
| Source Current          | $V_{OUT} = V_{SS} - 2.5V$ | 500 |  |  | $\mu A$ |
| Sink Current            | $V_{OUT} = V_{SS} - 6.3V$ | 8   |  |  | $\mu A$ |
| Clock Output            | $V_{SS} = 7V$             |     |  |  |         |
| Source Current          | $V_{OUT} = V_{SS} - 4V$   | 10  |  |  | $\mu A$ |
| Sink Current            | $V_{OUT} = V_{SS} - 6.3V$ | 5   |  |  | $\mu A$ |
| Control C1, C2 Outputs  | $V_{SS} = 7V$             |     |  |  |         |
| Source Current          | $V_{OUT} = V_{SS} - 2.5V$ | 500 |  |  | $\mu A$ |
| Control C1, C2 Inputs   | $V_{SS} = 7V$             |     |  |  |         |
| Sink Current            | $V_{IN} = V_{SS} - 6.3V$  | 8   |  |  | $\mu A$ |
| Comparator Output       | $V_{SS} = 7V$             |     |  |  |         |
| Source Current          | $V_{OUT} = V_{SS} - 2V$   | 1   |  |  | mA      |
| Sink Current            | $V_{OUT} = V_{SS} - 6.3V$ | 1   |  |  | $\mu A$ |
| Waiting State Indicator | $V_{SS} = 7V$             |     |  |  |         |
| Source Current          | $V_{OUT} = V_{SS} - 2V$   | 1   |  |  | mA      |
| Sink Current            | $V_{OUT} = V_{SS} - 6.3V$ | 1   |  |  | $\mu A$ |



functional description (con't)

Function 3

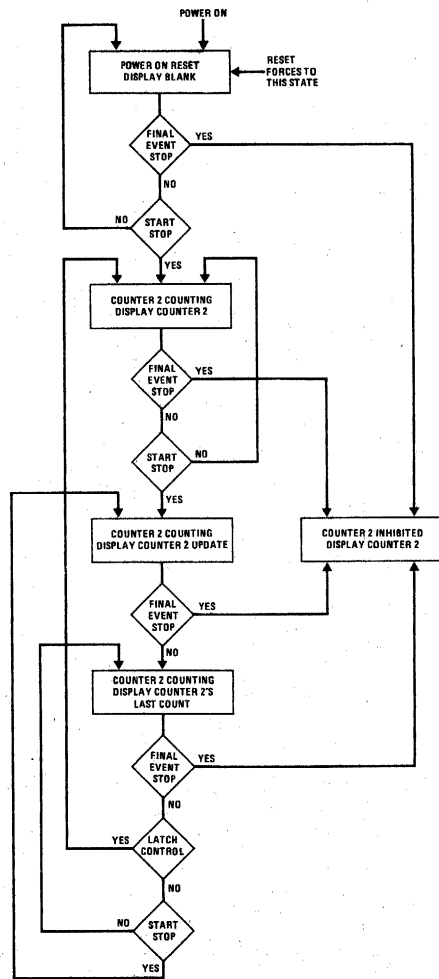
In Function 3, counter 1 and 2 count up beginning with a transition on the Start-Stop pin. Counter 2 is displayed counting. A second transition on the Start-Stop pin stores and displays the contents of counter 2, resets counter 2, and initiates a new up-count in counter 2; however, the new up-count is not displayed. Counter 1 continues to count. A transition on the Latch Control pin will display counter 2 counting until another transition on the Start-Stop pin. A Final Event Stop transition inhibits the clock pulses to both counters 1 and 2 and displays the contents of counter 2. A Start-Stop transition after the Final Event transition switches the display from counter 2 to counter 1. Repetitive Start-Stop transitions switch the display between counter 2 and counter 1.



Flow Chart for Function 3

Function 4

In Function 4, counter 2 counts up beginning with a transition on the Start-Stop pin. Counter 2 is displayed counting. A second transition on the Start-Stop pin stores and displays the contents of counter 2. Subsequent Start-Stop transitions update the display of counter 2. A transition on the Latch Control pin will display counter 2 counting until a transition on the Start-Stop pin. A Final Event Stop transition inhibits the clock pulses to counter 2 and displays the contents of counter 2.

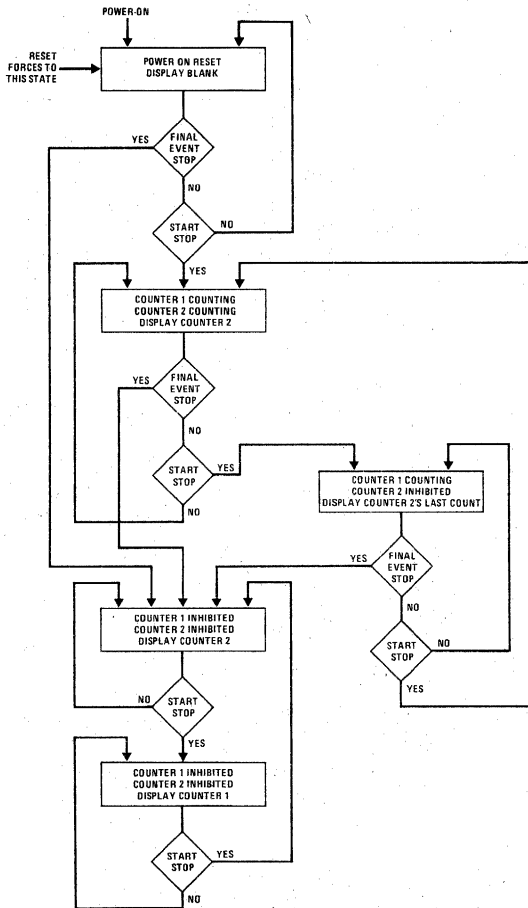


Flow Chart for Function 4

## functional description (con't)

## Function 5

In Function 5, counter 1 and 2 count up beginning with a transition on the Start-Stop pin. Counter 2 is displayed counting. A second transition on the Start-Stop pin inhibits the clock pulses to counter 2, and the contents of counter 2 are displayed. Counter 1 continues counting. The third Start-Stop transition enables the clock pulses to counter 2 and counter 2 is displayed counting. Subsequent Start-Stop transitions repeat this sequence, all the time counter 1 continues counting. At the conclusion of the last event to be timed, a Final Event Stop inhibits the clock pulses to both counters 1 and 2, and displays counter 2. A Start-Stop transition switches the display from counter 2 to counter 1. Repetitive Start-Stop transitions switch the display between counter 2 and counter 1.

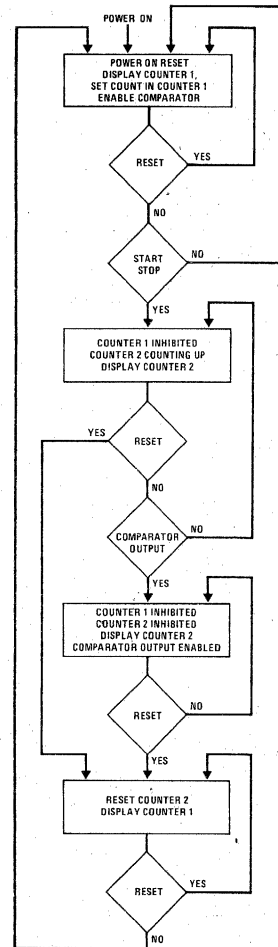


Flow Chart for Function 5

## Function 6

In Function 6, counter 1 is displayed at power-on or reset. Counter 1 is set to a specific count by Program Digit 1–4 pins. Then the comparator is enabled. Counter 2 is displayed counting up beginning with a transition on the Start-Stop pin. When counter 2 is coincident with counter 1, the clock pulses to counter 2 are inhibited, the contents of counter 2 are displayed and the Comparator Output is enabled. Upon the transition of Reset, counter 1 is again displayed with the time that was set, and the Comparator Output is disabled. Counter 1 can be reprogrammed by the Program Digit 1–4 pins if desired. A Start-Stop transition repeats the sequence.

If the Comparator Output pin is connected to the Reset pin, Automatic Reset will occur; however, this connection must be broken during digit programming.

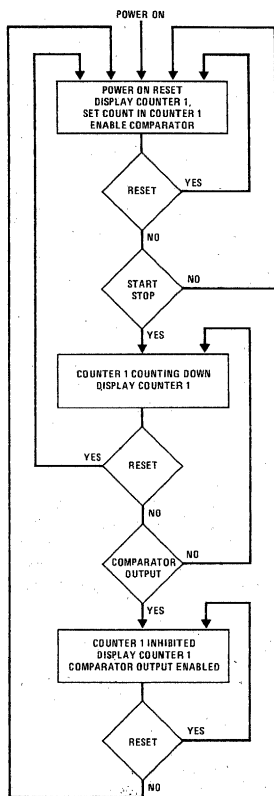


Flow Chart for Function 6

## functional description (con't)

### Function 7

In Function 7, counter 1 is displayed all the time. Counter 1 is set to a specific count by Program Digit 1–4 pins. Then the comparator and Control C1 In are enabled. Pin 4 and pin 35 must be floating or connected to  $V_{DD}$  during digit programming. Counter 1 counts down from the set count beginning with a transition on the Start-Stop pin. When counter 1 counts down to zero, the clock pulses to counter 1 are inhibited and the comparator Output is enabled. This is not repeatable without setting a new count into counter 1. The comparator and Control C1 In must be inhibited and a reset pulse must occur before the new count may be entered.



Flow Chart for Function 7

#### Reset

This input will reset all logic and counters in Functions 1–5 and Function 7. In Function 6, Reset will reset logic but not counter 1. Reset is internally pulled to  $V_{DD}$ , or a logic zero. For a reset to occur, the Reset pin must be held to  $V_{SS}$ , a logic one.

#### Start-Stop

This input is used to control the counters. How it affects the counters is explained in each function. For Start-

Stop to affect the counters, it must be held to  $V_{SS}$ , a logic one. Logic zero results when the pin is tied to  $V_{DD}$  or left floating (internal pull-up to  $V_{DD}$ ).

#### Final Event Stop/Comparator Output

This pin is used to indicate to the circuit that no more events will be timed or counted. Final Event Stop affects the circuit when it is held to  $V_{SS}$ . There is an internal pull-up to  $V_{DD}$ . This pin is also an output pin,  $V_{SS}$  indicates comparison between the two counters.

#### Divide Scale Inputs

These three inputs are used to determine whether the counters will count in Modulo 6 or Modulo 10. Table I shows the code for which digit will count in Modulo 6 or Modulo 10. A logic one is when the pin is held to  $V_{SS}$ . When the pin is tied to  $V_{DD}$  or left floating (internal pull-up to  $V_{DD}$ ), a logic zero results.

TABLE I. Divide Scaler Code

| DIVIDE SCALER |   |   | COUNTER 1 |    |    |    | COUNTER 2 |    |    |    |
|---------------|---|---|-----------|----|----|----|-----------|----|----|----|
| 1             | 2 | 3 | D4        | D3 | D2 | D1 | D4        | D3 | D2 | D1 |
| 0             | 0 | 0 | 10        | 10 | 10 | 10 | 10        | 10 | 10 | 10 |
| 1             | 0 | 0 | 6         | 10 | 10 | 10 | 6         | 10 | 10 | 10 |
| 0             | 1 | 0 | 10        | 6  | 10 | 10 | 10        | 6  | 10 | 10 |
| 1             | 1 | 0 | 10        | 10 | 6  | 10 | 10        | 10 | 6  | 10 |
| 0             | 0 | 1 | 10        | 10 | 10 | 10 | 10        | 10 | 10 | 10 |
| 1             | 0 | 1 | 10        | 10 | 10 | 10 | 6         | 10 | 10 | 10 |
| 0             | 1 | 1 | 10        | 10 | 10 | 10 | 10        | 6  | 10 | 10 |
| 1             | 1 | 1 | 10        | 10 | 10 | 10 | 10        | 10 | 6  | 10 |

#### Comparator Enable

This input enables the comparator. To enable the comparator, the pin is held to  $V_{SS}$  or logic one. To disable the comparator, the pin is tied to  $V_{DD}$  or left floating (internal pull-up to  $V_{DD}$ ).

#### Resolution Select Inputs

These two inputs are used to select the frequency of the clock pulses to the counters, Table II shows the code for each frequency. A logic one is when the pin is held to  $V_{SS}$ . A logic zero results when the pin is tied to  $V_{DD}$  or left floating (internal pull-up to  $V_{DD}$ ).

TABLE II. Resolution Select Code

| RESOLUTION SELECT |   | FREQUENCY OF CLOCK TO COUNTERS | DISPLAY RESOLUTION |
|-------------------|---|--------------------------------|--------------------|
| 1                 | 2 |                                |                    |
| 0                 | 0 | 100 Hz                         | 0.01 sec           |
| 0                 | 1 | 10 Hz                          | 0.1 sec            |
| 1                 | 0 | 1 Hz                           | 1 sec              |
| 1                 | 1 | External                       |                    |

## functional description (con't)

### Clock In/Out

This pin is either an input or output depending on the code at the Resolution Select inputs. If the pin is used as an output pin, it will output the clock frequency the Resolution Select inputs have selected. When used as an input, an external clock is used to clock the counters.

### Blanking Output

This output is used to blank the display at the beginning and end of each digit time to allow for internal delay between two cascaded chips, see *Figure 3*. The display is blanked when the Blanking Output is at  $V_{DD}$ .

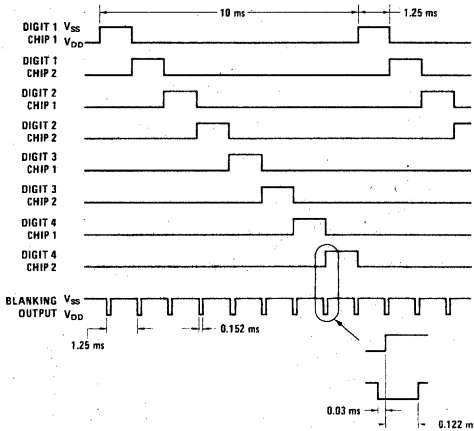


FIGURE 3. Blanking Output

### Oscillator In and Out

A quartz crystal, resonant at 32.8 kHz, two capacitors and one resistor, together with the internal MOS circuits form a crystal controlled oscillator as shown in *Figure 4*. Varying one of the capacitors allows precise frequency settings. For test purposes, OSC IN is the input and OSC OUT is the output of an inverting amplifier.

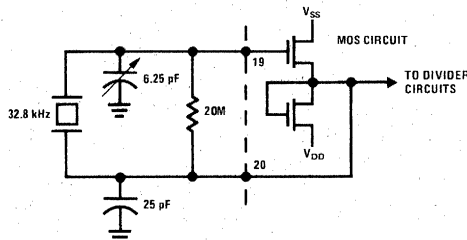


FIGURE 4. Crystal Oscillator

### Multiplex Input and Output

The Multiplex Input pin allows an external multiplex rate to be used in the chip. The multiplex rate inside the chip is one fourth the Multiplex Input and Multiplex Output rate. When using the Multiplex Input pin, the Multiplex Output pin must be tied to  $V_{SS}$ . The Multi-

plex Output pin is four times the internal multiplex rate. To use the Multiplex Output pin, the Multiplex Input pin must be tied to  $V_{DD}$ . The Multiplex Input must be used if the oscillator pins are not used. If the Multiplex Input pin is used, OSC IN, OSC OUT and the blanking output are not used.

### Control C1, C2 In and Control C1, C2 Out

These four input pins are used to cascade two chips together. When the Control C1 In pin is floating (internal pull-up to  $V_{DD}$ ) or tied to  $V_{DD}$ , the clock pulses to counter 1 are inhibited. When Control C1 In is at  $V_{SS}$ , counter 1 is enabled. Control C1 Out is at  $V_{SS}$  when counter 1 is at its maximum count, and it is floating at all other times. The Control C1 In pin must be floating (or connected to  $V_{DD}$ ) while digit programming in Function 7. Control C2 pins operate on counter 2 in a similar manner.

### Program Digits 1-4

These four input pins are used to program or set any count desired in counter 1 in Functions 6 and 7. When Program Digit 1 is at  $V_{SS}$ , the least significant digit of counter 1 advances at a 2.5 Hz rate. There is no carry-over from digit to digit. Program Digit 1 has no effect if tied to  $V_{DD}$  or left floating (internal pull-up to  $V_{DD}$ ). Only one Program Digit input may be held to  $V_{SS}$  at a time.

### Program Digit 1/Latch Control

This input has two functions; besides setting a count in digit 1 of counter 1 in Functions 6 or 7, it also affects Functions 3 and 4. In Functions 3 and 4, this input allows the display to show counter 2 counting as described in Functions 3 and 4.

### Program Digit 4/Waiting State Indicator

This input besides setting a count in digit 4 of counter 1 in Functions 6 and 7, also indicates that the chip has been reset and is in the stand-by mode at power-on. In Functions 1-5, the Waiting State Indicator is at  $V_{SS}$  until a Start-Stop transition has occurred. Once a Start-Stop transition has occurred, the output remains at  $V_{DD}$ .

### Leading Zero Blanking

In Functions 1-5, leading zeros are blanked for both counters 1 and 2. In Functions 6 and 7, counter 2 has leading zero blanking. At power-on, the display is blank in Functions 1-5, and all zeros are displayed in Functions 6 and 7.

### Output Circuits

For BCD and Digit Outputs,  $V_{SS}$  is a logic one. *Figure 5* illustrates the circuit used for all outputs except for Control C1, C2 Out. The Control C1, C2 Out circuit is illustrated in *Figure 6*. *Figure 7* illustrates the simple interface needed for an 8-digit stop-watch. *Figure 8* illustrates the MM5865 being used to count how many events occur in a specified time. *Figure 9* shows the MM5865 as a simple industrial counter when the input clock is a constant frequency above 400 Hz.

functional description (con't)

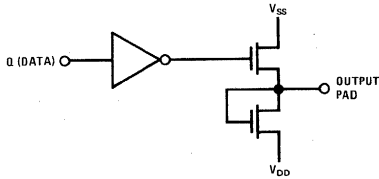


FIGURE 5. Output Circuit

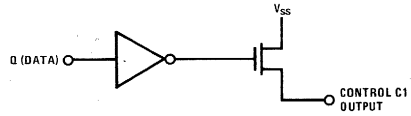


FIGURE 6. Control C1 Out Circuit

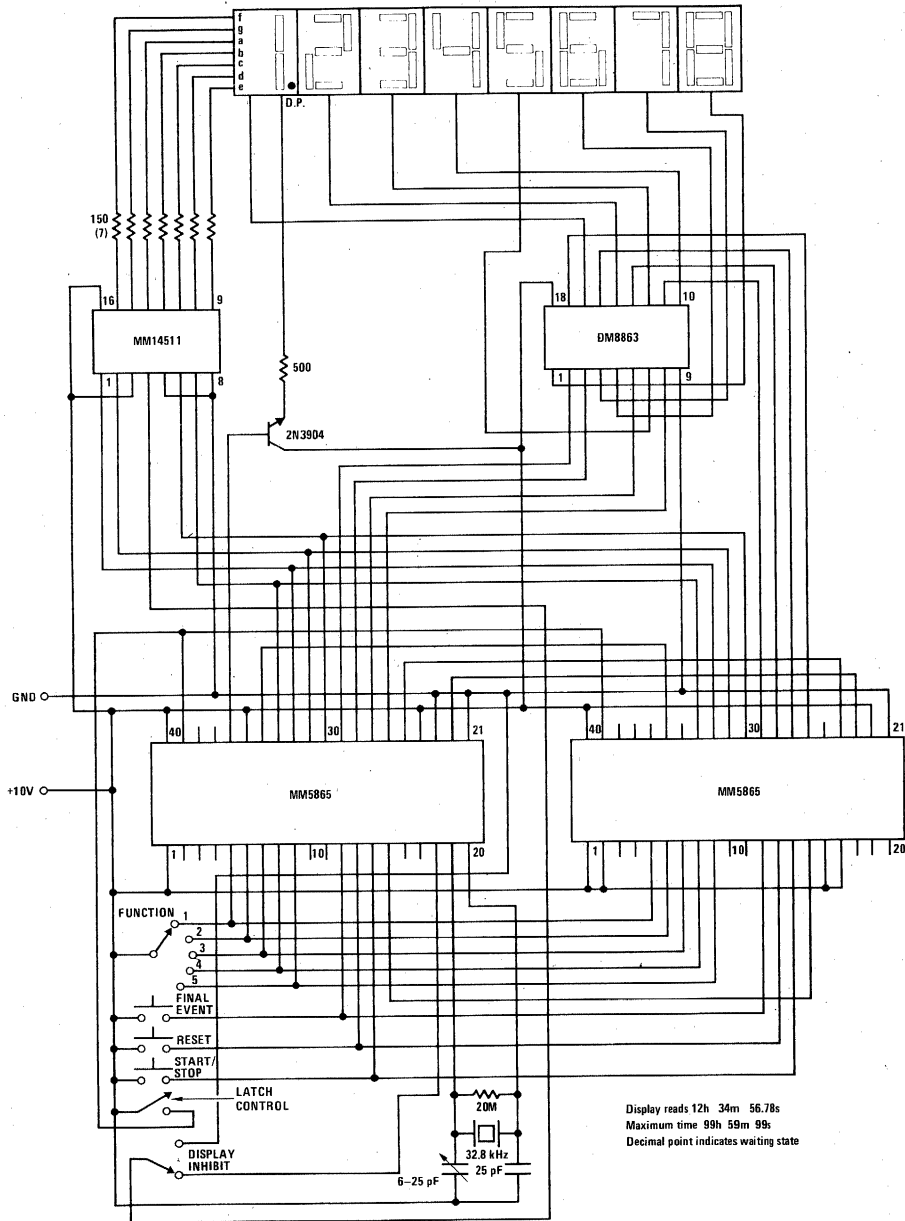


FIGURE 7. Stop Watch Application

Display reads 12h 34m 56.78s  
 Maximum time 99h 59m 99s  
 Decimal point indicates waiting state



functional description (con't)

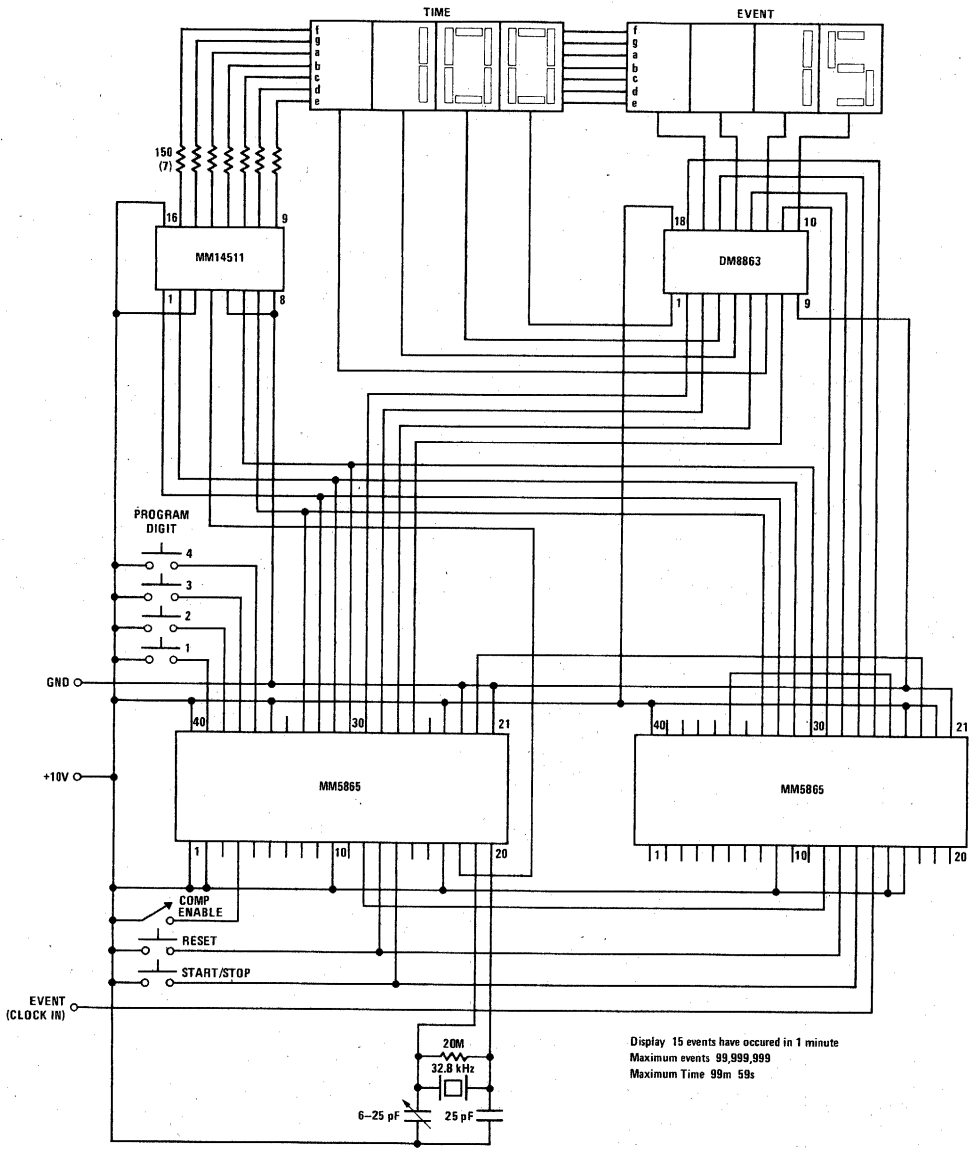


FIGURE 8. Application of MM5865 to Count Events in a Specified Time

functional description (con't)

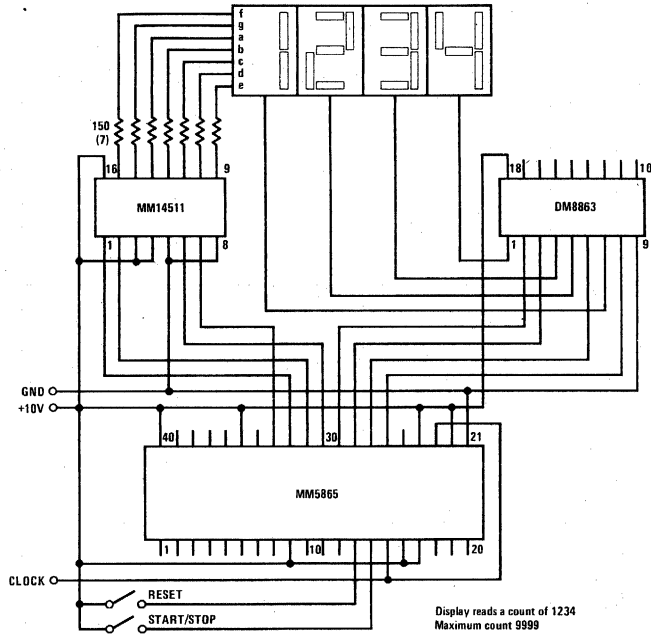


FIGURE 9. Industrial Counter



## MM53107 17-stage oscillator/divider

### general description

The MM53107 is a low threshold voltage CMOS integrated circuit with 17 binary divider stages that can be used to generate a precise 60 Hz reference from a 2.097152 MHz quartz crystal. An internal pulse is generated by the combinations of stages 1–4, 16 and 17 to set or reset the individual stages. The number the circuit will divide by is 34,952. The MM53107 is advanced one count on the positive transition of each clock pulse. One buffered output is available: the 17th stage 60 Hz output. The MM53107 is available in an 8-lead dual-in-line epoxy package.

### features

- Divides by 34,952
- Input frequency—2.097152 MHz
- Output frequency—60 Hz
- Crystal oscillator
- High speed (2 MHz at  $V_{DD} = 2.5V$ )
- Wide supply range 2–6V
- Low power (0.5 mW @ 2 MHz/2.5V)
- Fully static operation
- 8-lead dual-in-line package

### block and connection diagrams

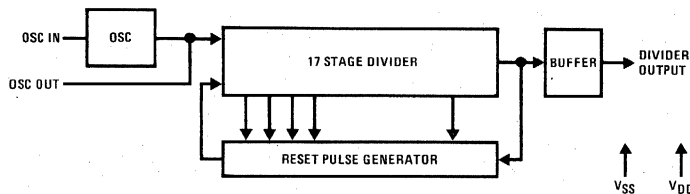


FIGURE 1

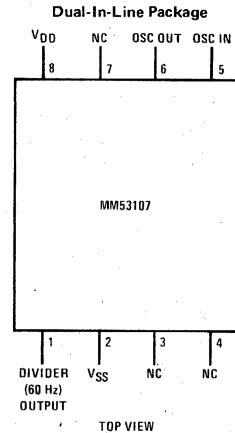
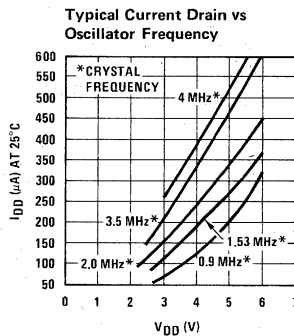


FIGURE 2

### typical performance characteristics



Order Number MM53107N  
See Package 17

## absolute maximum ratings

|  |                          |
|--|--------------------------|
| Voltage at Any Pin                       | -0.3V to $V_{CC} + 0.3V$ |
| Operating Temperature                    | 0°C to +70°C             |
| Storage Temperature                      | -65°C to +150°C          |
| Package Dissipation                      | 500 mW                   |
| Maximum $V_{CC}$ Voltage                 | 6V                       |
| Operating $V_{CC}$ Range                 | 2.5V to 6V               |
| Lead Temperature (Soldering, 10 seconds) | 300°C                    |

## electrical characteristics

$T_A$  within operating temperature range,  $V_{SS} = \text{Gnd}$ ,  $2.5V \leq V_{DD} \leq 6V$  unless otherwise specified.

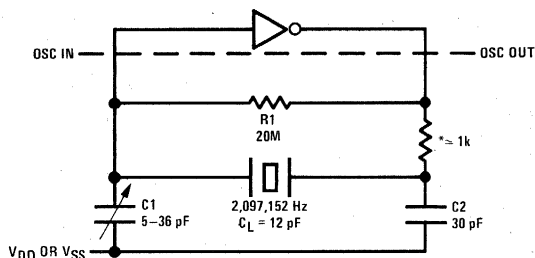
| PARAMETER                | CONDITIONS                                   | MIN | TYP | MAX | UNITS   |
|--------------------------|--|-----|-----|-----|---------|
| Quiescent Current Drain  | $V_{DD} = 6V$                                |     |     | 10  | $\mu A$ |
| Operating Current Drain  | $V_{DD} = 2.5V$ , $f_{IN} = 2.1 \text{ MHz}$ |     |     | 200 | $\mu A$ |
| Frequency of Oscillation | $V_{DD} = 2.4V$                              | dc  |     | 2.1 | MHz     |
|                          | $V_{DD} = 6V$                                | dc  |     | 4.0 | MHz     |
| Output Current Levels    |  |     |     |     |         |
| Logical "1" Source       | $V_{DD} = 4V$ ,                              | 100 |     |     | $\mu A$ |
| Logical "0" Sink         | $V_{OUT} = 2V$                               | 100 |     |     | $\mu A$ |
| Output Voltage Levels    |  |     |     |     |         |
| Logical "1"              | $V_{DD} = 6V$                                | 5.0 |     |     | V       |
| Logical "0"              | $I_O = 10 \mu A$                             |     |     | 1.0 | V       |

## functional description

A connection diagram for the MM53107 is shown in *Figure 2* and a block diagram is shown in *Figure 1*.

### TIME BASE

A precision time base is provided by the interconnection of a 2,097,152 Hz quartz crystal and the RC network shown in *Figure 3* together with the CMOS inverter/amplifier provided between the Osc In and the Osc Out terminals. Resistor R1 is necessary to bias the inverter for class A amplifier operation. Capacitors C1 and C2 in series provide the parallel load capacitance required for precise tuning of the quartz crystal.



\*To be selected based on the crystal used

FIGURE 3. Crystal Oscillator Network

The network shown provides  $> 100$  ppm tuning range when used with standard crystals trimmed for  $C_L = 12 \text{ pF}$ . Tuning to better than  $\pm 2$  ppm is easily obtainable.

### DIVIDER

A pulse is generated when divider stages 1-4, 16 and 17 are in the correct state. This pulse is used to set or reset individual stages of the counter, the modulus of the counter is 34,952.

### OUTPUT

The Divide Output is the input frequency divided by 34,952. The output is a push-pull output. A typical application of the MM53107 is shown in *Figure 5*.

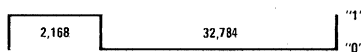


FIGURE 4. Duty Cycle

functional description (Continued)

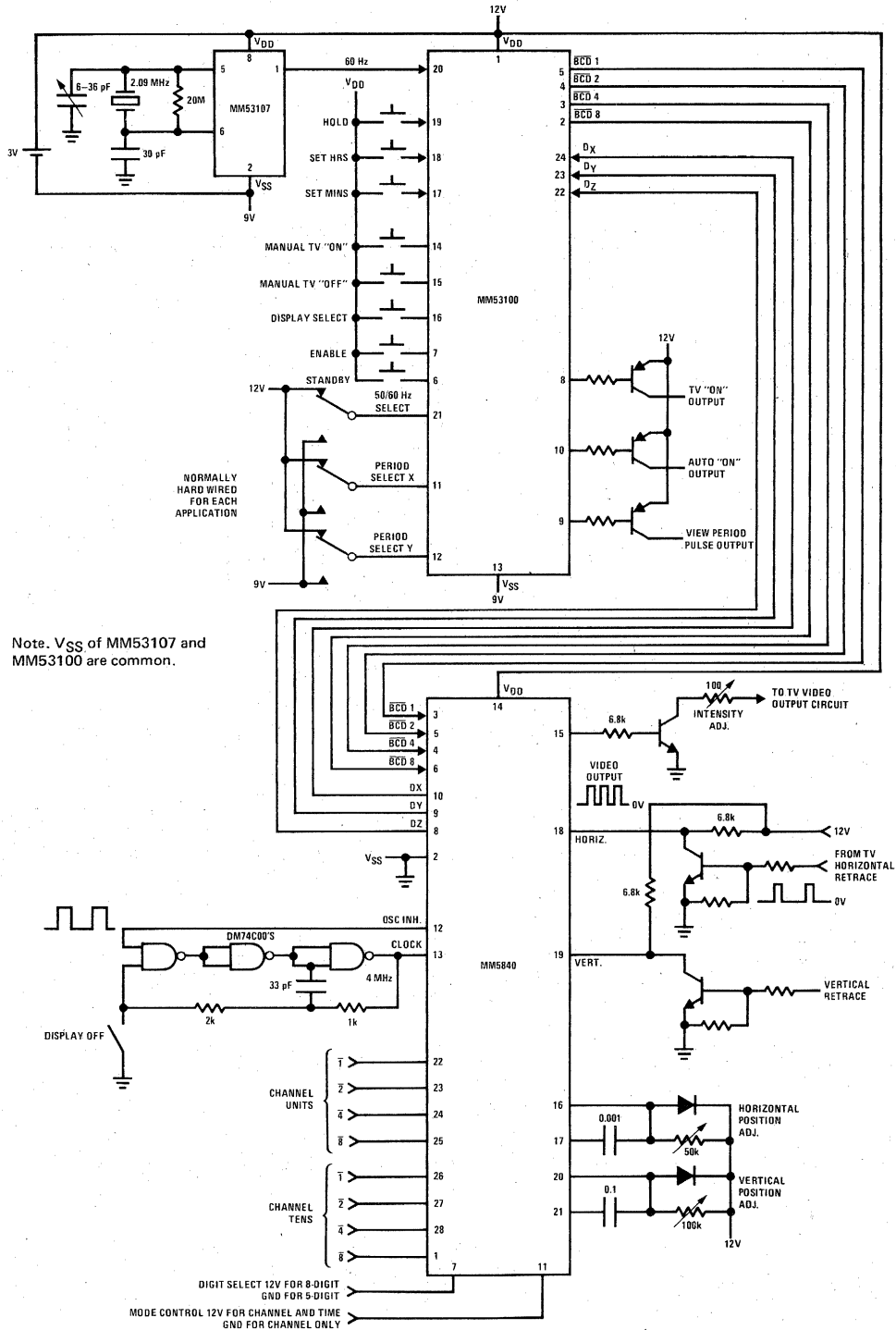


FIGURE 5. Typical Application TV Channel and Time Display



## MM5865 Universal Timer Applications

### introduction

A single chip universal counter and timer is now available from National Semiconductor Corporation through distributors of their products.

The MM5865 universal timer contains, in one 40-pin package, two 4-digit counters, oscillator, 18-stage divider, multiplexer, and all the logic required to control the counters, blank leading zeros, compare the two counters, program one of the counters, and cascade two MM5865 integrated circuits.

The MM5865 provides input pins for seven modes of timing and/or counting operations. When the chip is used as a timer, two input pins may be programmed to provide a display resolution of 0.01 second, 0.1 second, 1 second, or external clock. In addition, the modulo by which the counters divide may be programmed using three divide scaler input pins.

The outputs include the comparator output, multiplexed BCD segment outputs, and digit enable. The BCD segment outputs interface directly with the MM14511 (CD4511), a BCD to 7-segment latch/decoder/driver which interfaces with an LED display. The digit enable outputs of cascaded MM5865s interface directly with a DS8863 (DM8863), an MOS to LED 8-digit driver. A single MM5865 interfaces directly with a DS8877 or DS75492 6-digit driver.

When a suitable crystal is used with the MM5865 oscillator, the counters of a single chip (or those of two chips cascaded) may be used as timers with the following functions:

1. Counter 2: Start-Stop timing  
Counter 1: Total elapsed time
2. Counter 2: Start-Stop timing  
Counter 1: Total accumulated time
3. Counter 2: Sequential event timing  
Counter 1: Total elapsed time
4. Counter 2: Split-timing with total elapsed time  
Counter 1: Not actively used
5. Counter 2: Total accumulated time  
Counter 1: Total elapsed time
6. Counter 2: Up counter  
Counter 1: Programmable counter
7. Counter 2: Programmable down counter  
Counter 1: Not actively used

Therefore, one or two MM5865s along with two other integrated circuits and a 4- or 8-digit display may be used in the following applications:

1. Photographic enlarger timer, with each digit individually programmable
2. Stopwatch
3. General purpose timer
4. Event timer/counter
5. Rally timer
6. Navigational timer
7. Industrial timer/counter

The MM5865 may also be used as a frequency counter, or it may be used as the time reference of a larger frequency counter. The maximum oscillator frequency of the MM5865 is 80kHz; the maximum clock input frequency is 100kHz.

### how the MM5865 operates

As can be assumed from the brief description above, the MM5865 is a very powerful integrated circuit, capable of many applications. Therefore, in order to fully stimulate the imagination of readers, its repertoire will be presented in detail.

A block diagram of the MM5865 universal timer is shown in *Figure 1*, and the connection diagram is shown in *Figure 2*. As nearly as possible, all technical terms in the following discussion conform to definitions presented in the *Radio Shack Dictionary of Electronics*, edited by Rudolf F. Graf.

#### Multiplexer

Because of the internal multiplexer, only one BCD to 7-segment latch/decoder/driver need be used to interface one or two MM5865s to a suitable display. The multiplexer may be controlled in three ways.

An externally generated multiplex frequency may be applied to the Multiplex Input pin of the MM5865. An external clock is then applied to the Clock Input pin. (For example, an LM555C may be used as a square-wave oscillator to provide the necessary input to pin 23.)

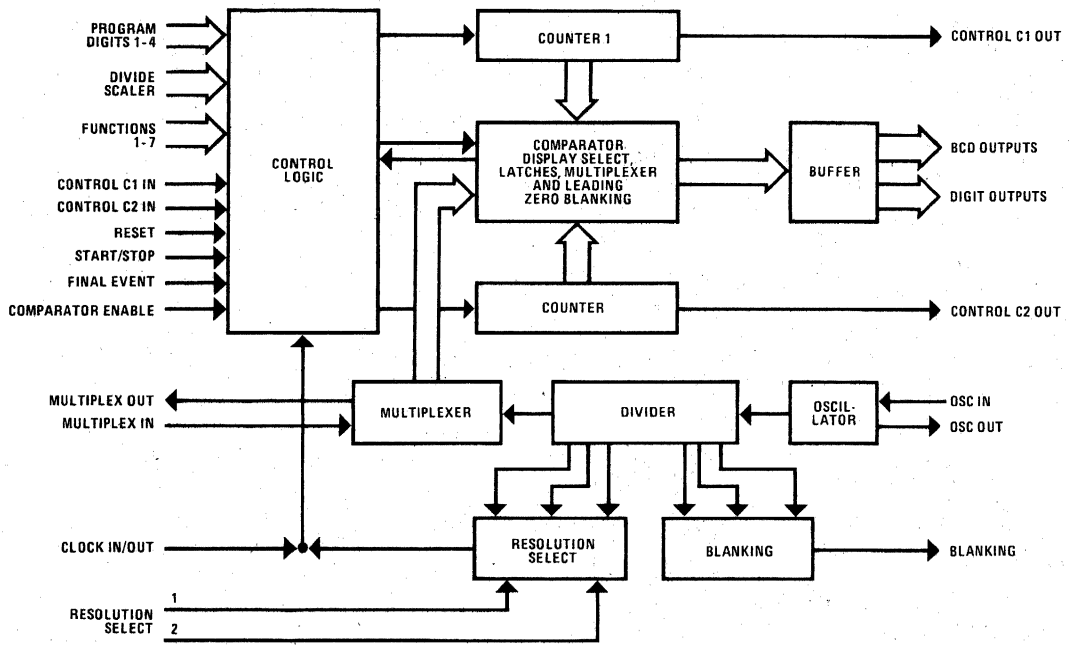


Figure 1. Internal block diagram of the MM5865 Universal Timer.

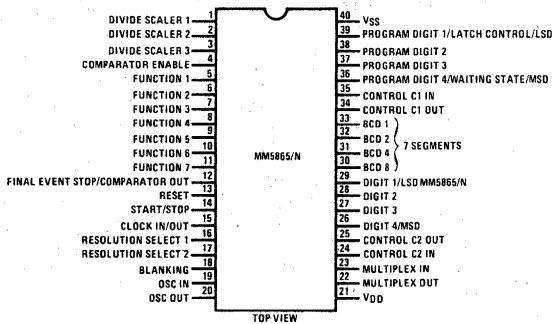


Figure 2. MM5865 connection diagram.

When an external multiplex rate is applied to the Multiplex Input pin, the Multiplex Output pin must be connected to  $V_{SS}$ , and the Oscillator In, Oscillator Out, and Blanking pins should be floating. The multiplex rate inside the chip is one fourth the frequency applied to the Multiplex Input pin. In this mode of operation two MM5865s may not be cascaded. In fact, to make use of the Multiplex Output pin, the Multiplex Input pin must be connected to  $V_{DD}$ . The frequency at the Multiplex Output pin is the same as that applied to the Multiplex Input pin.

The multiplexer may also be controlled by using internal MOS circuits to form a crystal controlled oscillator. To form the oscillator a crystal, two capacitors, and one resistor must be added externally. One of the capacitors should be variable to allow precise frequency settings. When these external components are connected to the Oscillator Input and Oscillator Output pins, the Multiplex input pin must be connected to  $V_{DD}$ .

When the input clock is at a constant frequency above 400Hz the Multiplex Input pin may be connected to the Clock Input pin. In this mode of operation the input clock which is being counted is also used as the externally generated multiplex frequency. The multiplex rate inside the chip will be one fourth the clock input frequency as described above.

**Oscillator**

Figure 3 shows how external components may be connected to the Oscillator Input and Output pins. A frequency counter used to adjust the frequency of the oscillator may be connected to the Oscillator Output pin through a 50pF capacitor.

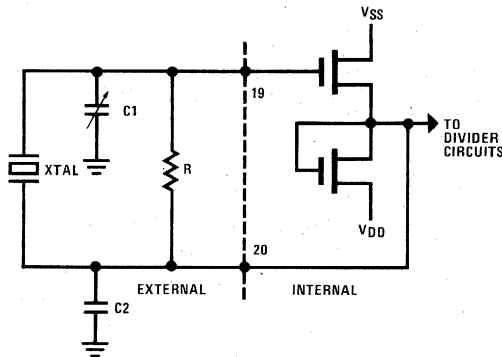


Figure 3. Crystal oscillator connections.

**Divider**

The divider stages produce the blanking output by dividing the oscillator input frequency by 41. This output is used to blank the display at the beginning and end of each digit time to allow for internal delay between two cascaded chips. The display is blanked when the Blanking Output is at  $V_{DD}$ .

The divider stages then divide the blanking output by 2 to generate the Multiplex Output. The frequency which appears at the Multiplex Output pin is further reduced in frequency by the divider stages so that the Resolution Select pins may be used to program the resolution of the display. Table I shows how these two inputs are used to select the frequency of the internal clock pulses to be applied to the two counters. The frequencies and display resolutions for an oscillator frequency of 32.8kHz are given.

Table I. Resolution Select Code. A zero indicates that the pin is left floating (or connected to  $V_{DD}$ ); a one indicates that the pin is connected to  $V_{SS}$ . Note that when an external clock is applied to pin 15, pins 16 and 17 must be connected to  $V_{SS}$ .

| Resolution Select |        | Frequency of Clock to Counters | Display Resolution |
|-------------------|--------|--------------------------------|--------------------|
| Pin 16            | Pin 17 |                                |                    |
| 0                 | 0      | 100Hz                          | 0.01 sec           |
| 0                 | 1      | 10Hz                           | 0.1 sec            |
| 1                 | 0      | 1Hz                            | 1 sec              |
| 1                 | 1      | External                       | —                  |

The Clock Input/Output pin is either an input or an output depending on the code at the Resolution Select input pins. If the pin is used as an output it will output the clock frequency selected by the program applied to pins 16 and 17. When it is used as an input an external clock must be used to clock the counters.

**Control Logic**

The block labeled "Control Logic" contains the logic required to select one of the seven functions, reset all logic and counters, start and stop the counters, indicate that a final event has occurred, and display counter 2 in Functions 3 and 4.

The selection of a function is accomplished by connecting one of the seven function pins to  $V_{SS}$ ; the other six function pins are left floating.

The Reset Input will reset all logic and counters in Functions 1-5 and Function 7. In Function 6, Reset will reset logic and counter 2, but not counter 1. For reset to occur the Reset pin must be momentarily connected to  $V_{SS}$ . Internal control logic provides power-on reset, however, to insure proper power-on resetting of all logic and the counters a 10 $\mu$ F, 35V Solid Tantalum Capacitor (Allied #852-5680) should be used across the  $V_{SS} - V_{DD}$  power busses.

In Function 6, the Reset Input pin may be connected to the Comparator Output pin in order to automatically reset logic and counter 2. When this connection is made, a Start/Stop transition is all that is needed to repeat the up count of counter 2.

The Start/Stop Input is used to control the counters by momentarily connecting pin 14 to  $V_{SS}$ . The manner in which this input affects the counters during the execution of each function will be explained as the descriptions of the functions are given.

The Final Event Stop/Comparator Output pin is used to indicate to the circuit that no more events will be timed or counted. Final Event Stop affects the circuit when it is momentarily connected to  $V_{SS}$ . When this pin is used as the comparator output, a  $V_{SS}$  level at the pin indicates comparison between the two counters.

**Additional Control Logic**

The three Divide Scalar inputs permit the counters to be programmed to count in Modulo 6 or Modulo 10. Table II shows the possible codes which may be applied to the Divide Scalar pins. A zero indicates that the pin is left floating (or connected to  $V_{DD}$ ); a one indicates that the pin is connected to  $V_{SS}$ .

Table II. Divide Scalar Code

| Divide Scalers | Modulo    |       |       |       |           |       |       |       |
|----------------|-----------|-------|-------|-------|-----------|-------|-------|-------|
|                | Counter 1 |       |       |       | Counter 2 |       |       |       |
|                | Pin 1     | Pin 2 | Pin 3 | Pin 4 | Pin 3     | Pin 2 | Pin 1 | Pin 4 |
| 0 0 0          | 10        | 10    | 10    | 10    | 10        | 10    | 10    | 10    |
| 1 0 0          | 6         | 10    | 10    | 10    | 6         | 10    | 10    | 10    |
| 0 1 0          | 10        | 6     | 10    | 10    | 10        | 6     | 10    | 10    |
| 1 1 0          | 10        | 10    | 6     | 10    | 10        | 10    | 6     | 10    |
| 0 0 1          | 10        | 10    | 10    | 10    | 10        | 10    | 10    | 6     |
| 1 0 1          | 10        | 10    | 10    | 10    | 6         | 10    | 10    | 10    |
| 0 1 1          | 10        | 10    | 10    | 10    | 10        | 6     | 10    | 10    |
| 1 1 1          | 10        | 10    | 10    | 10    | 10        | 10    | 6     | 10    |

A zero indicates that the pin is left floating (or connected to  $V_{DD}$ ); a one indicates that the pin is connected to  $V_{SS}$ .



For example, if the Resolution Select pins are programmed to give a 1 second display resolution (code "10") in a stopwatch application, and if the Divide Scaler code is "110," then the maximum possible count for both counters 1 and 2 would be 9959 (99 min, 59 sec). This means that the unit minutes display will advance by one digit every 60 seconds.

Connecting pin 4 to  $V_{SS}$  enables the comparator. In functions 1-5 the Comparator Enable pin must be left floating (or connected to  $V_{DD}$ ). In function 6 the Comparator Enable pin must be connected to  $V_{SS}$  after digit programming; if the Comparator Enable pin is connected to  $V_{SS}$  (comparator enabled) at power on, the Reset pin must be momentarily connected to  $V_{SS}$  before a Start/Stop transition will begin the counter 2 count-up.

In function 7, if the Comparator Enable pin is floating (or connected to  $V_{DD}$ ) when power is applied to the chip, or when the function switch is switched to function 7, the Comparator Enable pin must be connected to  $V_{SS}$  after digit programming as in function 6; however, in function 7, if the Comparator Enable pin is connected to  $V_{SS}$  (comparator enabled) at power on (or when the

function switch is switched to function 7), the comparator must be disabled by 1) disconnecting the Comparator Enable pin from  $V_{SS}$ , and 2) momentarily connecting the Reset pin to  $V_{SS}$ ; this must be done before the digits are programmed. This is necessary, of course, because connecting the Reset pin to  $V_{SS}$  after digit programming will simply reset counter 1 to "0000." In function 6, a Reset transition after digit programming does not reset counter 1 to "0000."

In addition, the Control C1 In pin (pin 35) must be floating (or connected to  $V_{DD}$ ) during digit programming in function 7. After digit programming, the Control C1 In pin must be connected to  $V_{SS}$  before the count-down begins. A DPDT, Center "OFF" switch connected as shown in Figure 4, may be used to control both the Comparator Enable pin and the Control C1 In pin. In one position the DPDT switch connects the Control C1 In pin to  $V_{SS}$  for functions 1-5. Digit programming may be accomplished in function 7 by placing the switch in the Center "OFF" position. In the third position both the Comparator Enable and the Control C1 In pins are connected to  $V_{SS}$  for functions 6 and 7.

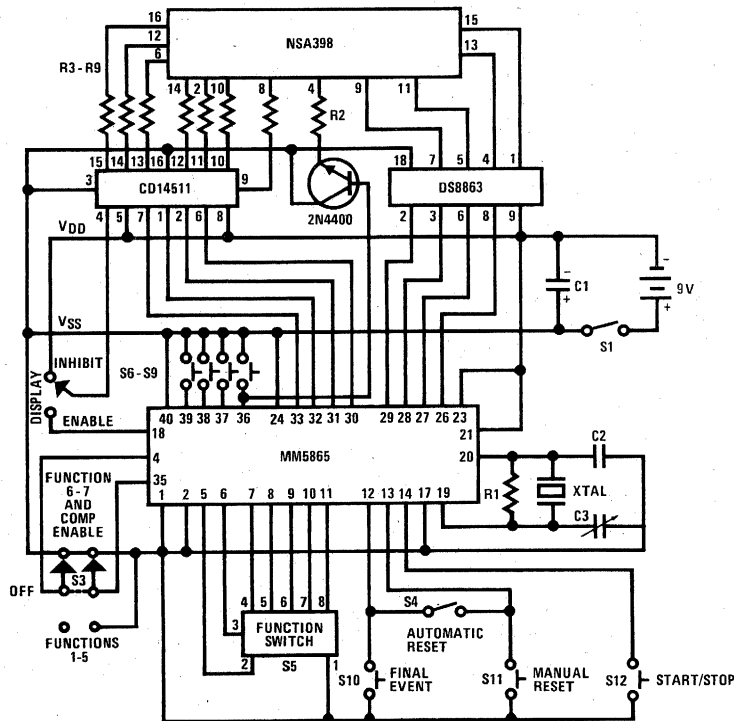


Figure 4. Stopwatch/Timer application showing the connections for a single MM5865. Two cascaded MM5865s may also be used, as described in the text.

Pins 36-39, the Program Digit 1-4 pins, are used to program a desired count into counter 1 when using functions 6 and 7. When any of the four Program Digit pins are connected to  $V_{SS}$ , the display digit of counter 1 associated with that pin advances at a 2.5Hz rate (assuming the oscillator frequency is 32.8kHz). The Program Digit 1 pin advances the least significant digit of counter 1; the Program Digit 4 pin advances the most significant digit. There is no carry over from digit to digit, and only one Program Digit Input may be connected to  $V_{SS}$  at a time.

The Program Digit 1 pin also functions as a counter 2 latch control in functions 3 and 4. In functions 3 and 4, momentarily connecting the Program Digit 1/Latch Control pin to  $V_{SS}$  permits the display to show counter 2 counting.

The Program Digit 4 pin also serves two purposes; in functions 1-5 this pin indicates that the chip has been reset and is in the standby mode at power-on. Visual indication of this condition may be accomplished by connecting a transistor between the Program Digit 4/Waiting State Indicator pin and the Segment DP Anode of a multiplexed display. With the transistor connected as shown in *Figure 4*, the Waiting State Indicator pin will be at  $V_{SS}$  at power-on until a Start/Stop transition occurs. After a Start/Stop transition occurs, the Waiting State Indicator pin will remain at  $V_{DD}$  until power is removed from the chip.

#### Leading Zero Blanking

In functions 1-5, leading zeros are blanked for both counters. In functions 6 and 7, counter 2 has leading zero blanking but counter 1 does not. At power-on the display is blank (or all decimal points if the Waiting State Indicator pin is used) in functions 1-5; all zeros are displayed in functions 6 and 7.

#### Control C1, C2 In and Control C1, C2 Out

These four pins are used to cascade two chips together. In this mode of operation the primary MM5865, which is directly controlled by the crystal oscillator, connects to another MM5865 in the following manner: the Control C1 In pin of the primary chip is connected to  $V_{SS}$  except during digit programming in function 7; the Control C1 Out pin connects to the Control C1 In pin of the other MM5865; the Control C2 In pin of the primary chip is connected to  $V_{SS}$ ; the Control C2 Out pin connects to the Control C2 In pin of the other MM5865; the Control C1 Out and the Control C2 Out pins of the second chip are left floating.

When the Control C1 In pin is floating (or connected to  $V_{DD}$ ), the clock pulses to counter 1 are inhibited. When the Control C1 In pin is connected to  $V_{SS}$ , counter 1 is enabled. Control C1 Out is at  $V_{SS}$  when counter 1 is at its maximum count, and it is floating at all other times. The Control C2 pins affect counter 2 in a similar manner.

Other possible connections between the two chips are: 1) all function pins connected together, 2) pins 12, 13, 14, and 15 connected together, 3) all BCD pins connected together, and 4) pins 39 connected together in functions 1-5 only.

When two MM5865s are cascaded as described above, eight momentary switches or individual electrical signals

must be provided if every digit of the display is to be programmable. In addition, another switch would have to be provided to break the pin 39 connection between the two chips in functions 6 and 7. Of course, all of the switching action could be provided by one ganged rotary switch if desired; even the function 6 Reset to Comparator Out connection could be accomplished if the proper switch were used.

#### Electrical Characteristics

The maximum supply voltage which may be connected between  $V_{SS}$  and  $V_{DD}$  ( $V_{DD} = 0V$ ) is 20V. National specifies that the minimum voltage at which the chip will operate is 7V; however, some chips will operate well down to  $V_{SS} = 5V$ . With a 9V transistor battery used as the power supply, and display inhibited, the power supply current will be approximately 7mA to 15mA for a one-chip stopwatch.

The maximum input frequency at the oscillator is 80kHz; however, the oscillator and dividers are designed for stopwatch applications using a 32.8kHz crystal. (A 32.768kHz crystal, available from Quest Electronics, P.O. Box 4430 E, Santa Clara, CA 95054, may be used without much loss in accuracy.)

Drivers must be provided for the Digit and BCD Outputs. Two MM5865s interface directly with the MM14511 Segment Driver and the DS8863 Digit Driver. A DS8877 or DS75492 Hex Digit Driver may be used with a single MM5865.

#### The Seven Functions

The one-chip circuit shown in *Figure 4* indicates all connections necessary to employ the MM5865 as a 4-digit stopwatch/timer. The seven available functions will be described using this figure, in which the desired function is selected by switching S5. When necessary, refer also to *Figures 1* through 3.

#### Function 1

In function 1, at power-on (S1 closed) four decimal points are visible on the display, indicating that the counters have been reset, but not necessarily all logic. If the Comparator Enable pin is connected to  $V_{SS}$  (S3 in Function 6-7 position) at power-on, a Start/Stop transition (obtained by momentarily closing S12) will cause the decimal points to disappear from the display; however, the chip will not begin counting. First it is necessary to place S3 in the Functions 1-5 position, then to reset the logic (by momentarily closing S11).

Once all logic is reset (either by applying power with S3 in the Functions 1-5 position or by the method discussed above), a Start/Stop transition will cause both counters to begin counting up. The up-count of counter 2 is displayed, the least significant digit advancing at a 1Hz rate. A second Start/Stop transition inhibits the clock pulses to counter 2 and stores and displays the contents of counter 2; however, counter 1 continues to count. A third Start/Stop transition resets counter 2, enables clock pulses to counter 2 and, again, displays counter 2 counting up. Subsequent Start/Stop transitions repeat this sequence. Counter 1 continues to count, from the time of the first Start/Stop transition, until the occurrence of a Final Event Stop transition (obtained by momentarily closing S10). A Final Event

Stop transition inhibits the clock pulses to both counters and displays counter 2. After this Final Event Stop transition has occurred, a Start/Stop transition switches the display from counter 2 to counter 1. Each subsequent Start/Stop transition alternately displays one of the counters.

To summarize, in function 1 both counters start counting up with an initial Start/Stop transition. Counter 1 continues to count (recording total elapsed time) until a Final Event Stop transition. Counter 2 (alternately) starts, then stops counting with each Start/Stop transition (timing as many intervals as desired), until a Final Event Stop transition. Any time a Reset transition occurs both counters are reset to "0000" and the display blanks.

#### Function 2

The only difference between functions 1 and 2 is that in function 2, whenever a Start/Stop transition inhibits the clock pulses to counter 2, the clock pulses to counter 1 are also inhibited. Start/Stop transitions which reset counter 2 and enable clock pulses to counter 2 also enable clock pulses to counter 1; counter 1 does not reset, however. The up-count in counter 1 resumes at the stored count; therefore, counter 1 records total accumulated time.

#### Function 3

In function 3 the power-on conditions are the same as those in functions 1 and 2. Once all logic is reset a Start/Stop transition causes both counters to begin counting up. Counter 2 is displayed counting. A second Start/Stop transition stores and displays the contents of counter 2, resets counter 2, and initiates a new up-count. However, the new up-count is not displayed. Counter 1 continues to count. The initial count remains displayed until a third Start/Stop transition. This third Start/Stop transition and subsequent Start/Stop transitions repeat the sequence described above, indicating the length of time between successive Start/Stop transitions.

The occurrence of a Latch Control transition (obtained by momentarily closing S5) any time after the second Start/Stop transition will cause counter 2 to be displayed while counting. The count will continue to be displayed until a Start/Stop transition. This Start/Stop transition also stores and displays the contents of counter 2 and then resets counter 2. As before, counter 1 continues to count, but counter 2 begins a new count.

A Final Event Stop transition inhibits the clock pulses to both counters and displays the contents of counter 2. A Start/Stop transition occurring after the Final Event Stop transition switches the display from counter 2 to counter 1. Repetitive Start/Stop transitions switch the display between counter 2 and counter 1. Any time a Reset transition occurs, both counters are reset to "0000" and the display blanks.

#### Function 4

In function 4 the power-on conditions are the same as those in functions 1-3. Once all logic is reset a Start/Stop transition causes counter 2 to begin up-counting. Counter 2 is displayed counting. A second Start/Stop

transition stores and displays the contents of counter 2. Subsequent Start/Stop transitions update the display of counter 2. A Latch Control transition will display counting until the occurrence of a Start/Stop transition. This Start/Stop transition, following the Latch Control transition, does not reset counter 2 as it does in function 3. Rather, counter 2 continues to count up. A Final Event Stop transition inhibits the clock pulses to counter 2 and displays the contents of counter 2. A Reset transition at any time resets counter 2 to "0000."

#### Function 5

Again, in function 5 the power-on conditions are the same as those in functions 1-4. Once all logic is reset a Start/Stop transition causes both counters to begin counting up. Counter 2 is displayed counting. A second transition on the Start/Stop pin inhibits the clock pulses to counter 2, and the contents of counter 2 are displayed. Counter 1 continues to count. A third Start/Stop transition enables the clock pulses to counter 2; counter 2 resumes counting where it left off, and counter 2 is displayed counting.

Subsequent Start/Stop transitions repeat this sequence with counter 1 counting continuously. A Final Event Stop transition inhibits the clock pulses to both counters and displays counter 2. A Start/Stop transition switches the display from counter 2 to counter 1. Repetitive Start/Stop transitions switch the display between counter 2 and counter 1. A Reset transition at any time resets both counters to "0000."

#### Function 6

At power-on in function 6, counter 1 is displayed with "0000." If the comparator is enabled (S3 in the Function 6-7 position) at power-on, a Reset transition (obtained by momentarily closing S11) is necessary before a Start/Stop transition can begin the counter 2 count-up.

Counter 1 is programmed to the desired count by holding each of the four Digit Programming Switches Closed in turn. The comparator must then be enabled by placing S3 in the Function 6-7 position (unless it was already enabled at power-on). Counter 2 is displayed counting up beginning with a Start/Stop transition. When counter 2 is coincident with counter 1, the clock pulses to counter 2 are inhibited, the contents of counter 2 are displayed, and the Comparator Output is enabled. A Reset transition after the counter 2/counter 1 coincidence disables the Comparator Output and displays counter 1 with the programmed time. The Reset transition can be obtained either by momentarily closing S11 or by connecting the reset Input pin to the Comparator Output pin after Digit Programming so that logic and counter 2 are reset automatically whenever counter 2 is coincident with counter 1.

After each Reset transition, subsequent Start/Stop transitions repeat the sequence. Counter 1 may be reprogrammed after any Reset transition, if desired. If a Reset transition occurs while counter 2 is counting up, the clock pulses to counter 2 are inhibited, counter 2 is reset, and counter 1 is displayed with the programmed time.

If a Start/Stop transition occurs while counter 2 is counting up, the clock pulses to counter 2 are inhibited and counter 1 is displayed with the programmed time. With the next Start/Stop transition, counter 2 resumes counting where it was stopped.

If the Reset Input pin is not connected to the Comparator Output pin and if a Final Event Stop transition occurs while counter 2 is counting up, the clock pulses to counter 2 are inhibited and the contents of counter 2 are displayed. The next Start/Stop transition displays counter 1 with the programmed time. Repetitive Start/Stop transitions switch the display between counter 2 and counter 1. A Reset transition followed by a Start/Stop transition starts the counter 2 up-count sequence again.

In function 6, and also in function 7, the digit which is preprogrammed to count in Modulo 6 cannot, of course, be programmed to a digit greater than 5.

### Function 7

In function 7 counter 1 is displayed with "0000" at power-on. If S3 is in the Function 6-7 position at power-on, it must be placed in the "OFF" position; then S11 must be momentarily closed. Counter 1 is set to a specific count by holding each of the four Digit Programming Switches closed in turn; then the Comparator must be enabled by placing S3 in the Function 6-7 position.

Counter 1 counts down from the set count beginning with a Start/Stop transition. When counter 1 counts down to zero the clock pulses to counter 1 are inhibited and the Comparator Output is enabled. This is not repeatable without a new count being entered into counter 1. A Final Event transition halts the counter 1 down-count, and subsequent Start/Stop transitions have no effect on counter 1 or counter 2. A Reset transition resets counter 1 to "0000."

### Peripheral

The other components shown in *Figure 4* consist of input/output interfaces between the user and the MM5865. The crystal used in this stopwatch/timer circuit is a watch crystal cut to oscillate at 32.768kHz. (A 32.8kHz crystal would be best.) This means that the blanking frequency is 799.2Hz, the multiplex frequency is 399.6Hz, and the clock frequency to the counters is 0.99902Hz.

The oscillator frequency may be adjusted by connecting a counter to pin 20 of the MM5865 through a 50pF capacitor and then varying the capacitance of C3. Any attempt to alter the values of R1, C2, or C3 will probably fail; that is, the oscillator will probably not oscillate.

Most of the switches which control the MM5865 are momentary push-buttons which are available from many sources. The function switch, however, is a very small 8-position switch in a TO-5 package; it is available from James Electronics, P.O. Box 822, Belmont, CA 94002.

The 2N4400 (a 2N3904 can also be used) drives the decimal point anode of the display and is itself driven by the Waiting State output of the MM5865.

The MM14511 provides the functions of a 4-bit storage latch, an 8421 BCD-to-seven segment decoder, and an

output drive capability of 25mA. The DS8863 is an 8-digit driver; each driver is capable of sinking up to 75mA. The MM14511 may be operated at supply voltages up to 15V; however, the DS8863 cannot be operated with supply voltage greater than 10V. For operation with supplies up to 18V, the DS8963 is a direct replacement for the DS8863.

The NSA398 is a 9-digit common cathode LED numeric display with a 1/8-inch character height. Eight inputs are provided for selection of the appropriate segments and decimals (anodes) and nine inputs for digit (cathodes) selection. The anodes are internally interconnected for multiplexing. The NSA398 has a red faceplate which provides excellent visual contrast and ease of visibility over a wide angle. *Figure 5* shows the physical dimensions and pin connections of the NSA398.

## practical applications of the stopwatch/timer

Now that the basic operation of the MM5865 has been presented, it is possible to examine practical applications of the seven function universal timer shown in *Figure 4*. This timer, as shown, has a maximum timing capability of 99 minutes, 59 seconds. If another MM5865 is added to the circuit, this timing capability may be extended to 99 hours, 59 minutes, 99.99 seconds. For very accurate timing, the crystal should be cut to oscillate at 32.8kHz, and the oscillator frequency should be precisely tuned to 32.8kHz.

When the stopwatch/timer is being used to time any event, the display should be disabled with S2 as much as possible so that battery power will be conserved.

Function 1 may be used to time two events occurring simultaneously in the following manner. A driver often travels from his home to a city some hours away. On the way he passes a small town about halfway between his home and the city. He wishes to know how long it takes him to travel from his home to the small town, how long it takes to travel from the town to the city, and finally, how long it takes him to travel from his home to the city.

At the beginning of the trip the driver presses the Start/Stop switch. The display begins to record the time accumulating in counter 2. As he passes through the small town he presses the Start/Stop switch again and records the traveling time from his home to the town. Then he presses the Start/Stop switch again. As he arrives at the city he presses the Final Event Stop switch and records the time shown in the display as being the traveling time from the town to the city. He then presses the Start/Stop switch and sees in the display the traveling time from his home to the city.

Function 2 may be used to record the total accumulated time of several events while each event is being timed individually. For example, a television repairman spends his day ordering parts, talking to customers, and repairing televisions on the bench. He wants to record the time he spends repairing each set so that customers may be properly billed, and he wishes to record his total bench time for the day.

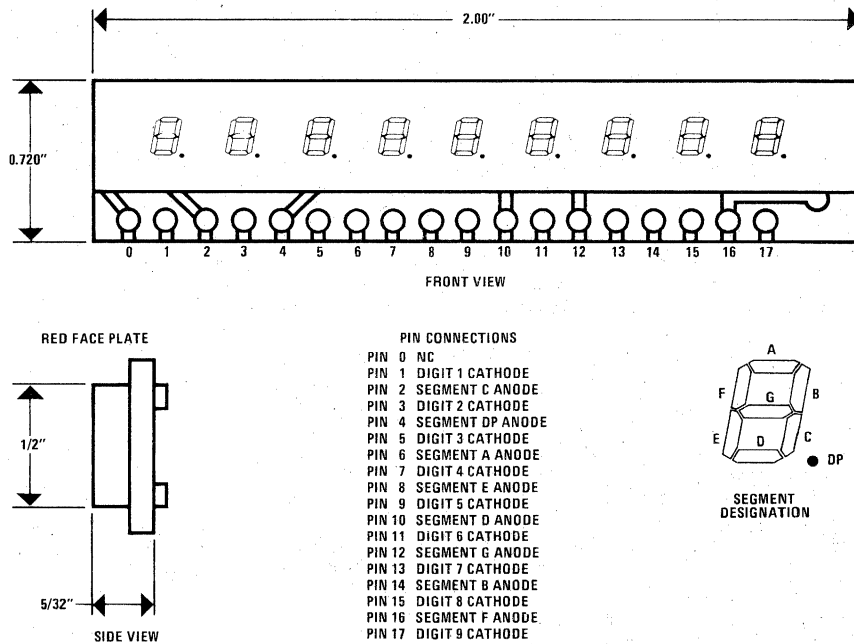


Figure 5. Physical dimensions and pin connections of the NSA398.

At the beginning and end of every bench job he presses the Start/Stop switch to record the time for each job. At the end of his day he presses the Final Event Stop switch, then the Start/Stop switch to record his total bench time.

As an example of a function 3 application, consider an assembly line position at which a worker must fasten three parts to a piece of equipment. A supervisor wishes to record the time it takes the worker to fasten each part and the amount of time the equipment spends at this position.

As the worker receives the piece of equipment, the supervisor presses the Start/Stop switch. The display begins counting up. As the worker finishes with the first part, the supervisor presses the Start/Stop switch. This time will remain in the display until the next Start/Stop transition; the supervisor therefore has a chance to record the first event time.

As the worker finishes with the second part, the supervisor presses the Start/Stop switch again and records the time of the second event. After the worker finishes with the third part the supervisor presses the Final Event Stop switch. The display will show the third event time. The supervisor can then press the Start/Stop switch to record the total time this worker handled the equipment.

With function 4, the total time of an event may be accumulated, and the display may be updated while counter 2 is accumulating the total time. For example, a long distance runner desires to pace himself over a 5-mile run. As he starts out he presses the Start/Stop switch. Then, as he passes known checkpoints, he presses the Start/Stop switch to update the display and note the time of arrival at each check point. At the end of the 5-mile run he presses the Final Event Stop switch to record the total time for the run.

Function 5 may be used to record both total accumulated time and total elapsed time. As an example of an application of function 5, consider a pilot who wants to record total flying time as well as total trip time.

As the pilot starts out he presses the Start/Stop switch. He then presses the Start/Stop switch each time he lands and each time he resumes flying. At the end of his trip he presses the Final Event Stop switch and records total flying time. He then presses the Start/Stop switch to record total trip time.

With proper interfacing, function 6 can be used as an enlarger timer. A photographer programs the desired printing time into the display with the Digit Programming switches, closes the Comparator Enable switch, and closes the Automatic Reset switch. For each print he

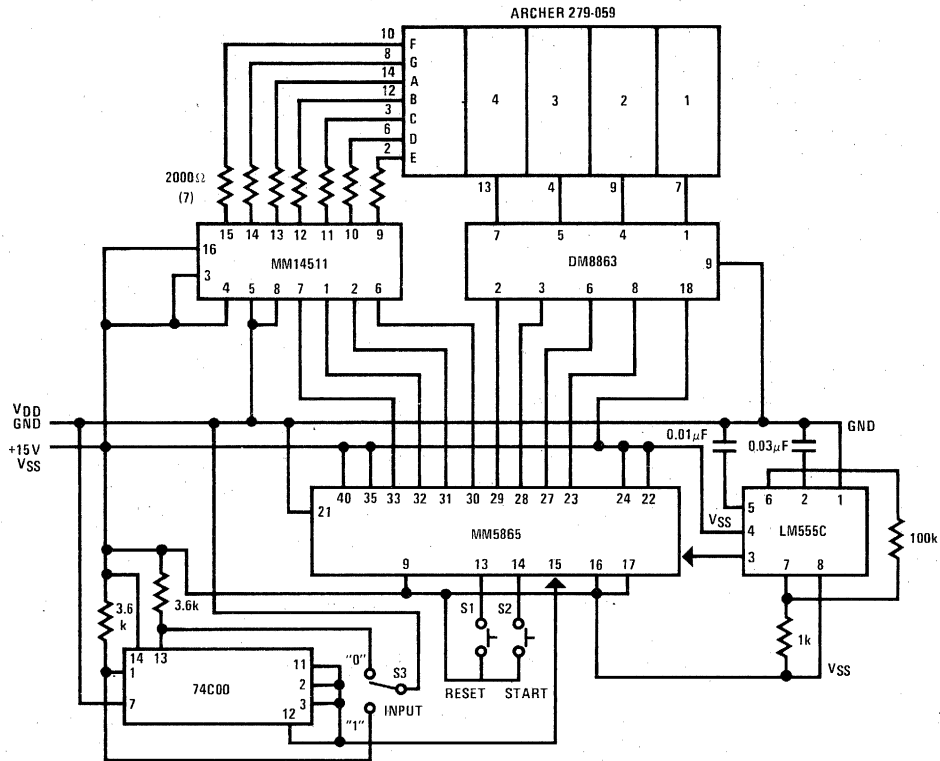


Figure 6. The MM5865 used in a simple counting circuit.

simply presses the Start/Stop switch to turn on the enlarger for the desired length of time.

It is not necessary to enable the display while operating the timer. The display must be enabled only to program counter 1. The Reset switch may be pressed at any time to turn off the enlarger. The enlarger may be turned on for adjusting negatives by pressing the Start/Stop switch without enabling the comparator.

With proper interfacing, function 7 may be used as a down-count timer for many applications, including cooking and washing. The desired time is simply programmed into counter 2, the comparator is enabled, and then the Start/Stop switch is pressed. Counter 2 will count down to zero and turn off the appliance.

A few applications (some for which two MM5865s are required) have been presented to illustrate the utility of the MM5865. The Stopwatch/Timer discussed above is but one general application for which the MM5865 may be used.

Figure 6 shows a simple manual counting circuit in which the MM5865 is used to count the closures of a manual switch. Of course, the manual clock could be replaced by electrical pulses.

The 74C00 in this circuit debounces the switch used as a clock, S3. An LM555 is used to provide a multiplexer input frequency of 233 Hz.

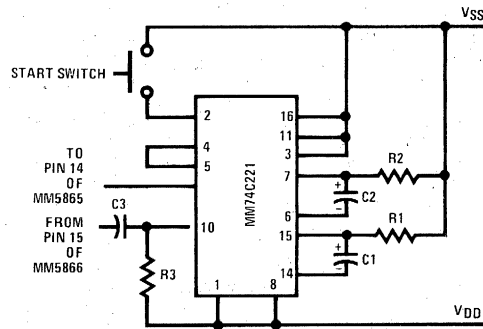
The MM5865 is operating in function 5, and displays the up-count of counter 2. After an initial Start/Stop transition, each closure of the manual switch advances the displayed digits by one count. A Reset transition resets counter 2 to "0000."

## conclusion

The emphasis of this presentation has been on the general timing and programmable capabilities of the MM5865 rather than on specific applications. Because so many functions are available in one package, it is possible to use the MM5865 as a general purpose chip, adding another MM5865 when it is necessary. In most applications only one or several of the seven functions need be used; however, because of its general purpose nature, the MM5865 lends itself well to the concept of quantity purchasing.

A final note: Unless the start pulse is externally synchronized to the clock (available at pin 15 of the MM5865, if the internal oscillator is used), the amount of time which will elapse between the arrival of the start pulse at pin 14 of the MM5865 and the appearance of the first digit in the display will not be equal to the programmed display resolution. It is possible to develop a start pulse that is

synchronized to the clock using an MM74C221 Dual Monostable Multivibrator as shown in *Figure 20*. The time constant of R1 - C1 should be equal to the display resolution, the time constant of R2 - C2 should be less than the programmed display resolution, and the time constant of R3 - C3 should be less than the time constant of R2 - C2.



**Figure 21. Start-Pulse Synchronizer. Time constant of R1 - C1 = display resolution. Time constant of R2 - C2 < display resolution. Time constant of R3 - C3 < time constant of R2 - C2.**



## A 4-Digit, 7-Function Stopwatch/Timer

### introduction

This construction article is the second of a series which is to concentrate on applications of the MM5865 universal timer. The first article, "MM5865 Universal Timer Applications," presented in detail the programmable and functional characteristics of the MM5865.

This second article illustrates the construction and use of a 4-digit, 7-function stopwatch/timer in which the display resolution and counter modulo may be programmed with printed circuit board jumper wires.

Other than switches, all components of the stopwatch/timer are mounted on a glass-epoxy or glass-polyester board which is laminated with 1-ounce copper foil on one side. The board is mounted in the attractive instrument/clock case available from James Electronics.

This instrument/clock case has provisions for the display, precut holes for four calculator-type switches, and a precut line cord hole. In addition, the case is sold with a red display bezel, four rubber feet, and a flip-top to conceal the four switches which may be assembled in the precut holes.

A display resolution of 1 second, 0.1 second, or 0.01 second may be programmed by on-board jumpers or a suitable switch. Furthermore, the counters may be programmed to count in modulo 6 or modulo 10.

When used as a photographic enlarger timer or as an appliance timer, each digit is individually programmable with one of four pushbutton switches. The comparator output of the timer may be coupled to an enlarger/appliance control circuit that can be permanently mounted to the enlarger or appliance.

Applications for the stopwatch/timer include, but are not limited to, the following:

- Laboratory reaction and interval timer
- Photographic enlarger and chemical processing timer
- Stopwatch
- Event timer
- Appliance timer

A simple listing of possible applications for the timer does not adequately describe the enormous power of the instrument. A tabulation of the seven functions which includes a break-out of the functions performed simultaneously by counters 1 and 2 of the MM5865 is much more revealing, and is presented below:

1. Counter 2: Start-stop timing  
Counter 1: Total elapsed time
2. Counter 2: Start-stop timing  
Counter 1: Total accumulated time
3. Counter 2: Sequential event timing  
Counter 1: Total elapsed time

4. Counter 2: Split-timing with total elapsed time  
Counter 1: Not actively used
5. Counter 2: Total accumulated time  
Counter 1: Total elapsed time
6. Counter 2: Up counter  
Counter 1: Programmable counter
7. Counter 2: Programmable down counter  
Counter 1: Not actively used

### operation

The switches which control the operation of the stopwatch/timer are visible on top of the case shown in the photographs of *Figures 1a* and *1b*. Each switch is indicated in the schematic drawing of *Figure 2*.

In *Figure 1a*, the switch in the rear right hand corner of the case is a 7-position rotary Function Switch (F). At the front of the case the switches are, from left to right, Digit 4 Programming Switch (D4), Digit 3 Programming Switch (D3), Comparator Switch (C), Digit 2 Programming Switch (D2), and Digit 1 Programming (D1)/Latch Control (LC) Switch. Digit 1 is the least significant digit (LSD); Digit 4 is the most significant digit (MSD).

There are four switches under a center flip-cover. These are shown in *Figure 1b*. From left to right they are Final Event Switch (FE), Reset Switch (R), Start/Stop Switch (SS), and Automatic Reset Enable Switch (ARE).

The ARE switch is used only in function 6; it must be OFF for all other functions. The C switch has three positions: Comparator/Count Enable (CCE), used for functions 6 and 7; Program Enable (PE), used for function 7; and Count Enable (CE), used for functions 1 through 5. The D1/LC switch is a dual purpose switch; for functions 3 and 4 it serves as the latch control switch, and for functions 6 and 7 it serves as the Digit 1 programming switch. There is no ON-OFF switch. Power is applied to the stopwatch/timer by plugging the line cord into a 120VAC/60Hz outlet.

*Table 1* is a tabulation of the abbreviations used for the switches and the functions to which they apply. If the F switch is set to any of the stop watch functions (1 through 5) when power is initially applied to the stopwatch/timer, the display will remain blank. See "MM5865 Universal Timer Applications" for information on using pin 39 as a power on indicator.

To operate the stopwatch/timer in any of the stopwatch functions, rotate the F switch to one of the stopwatch function positions, place the ARE switch in the OFF position, place the C switch in the CE position, and press the R switch.



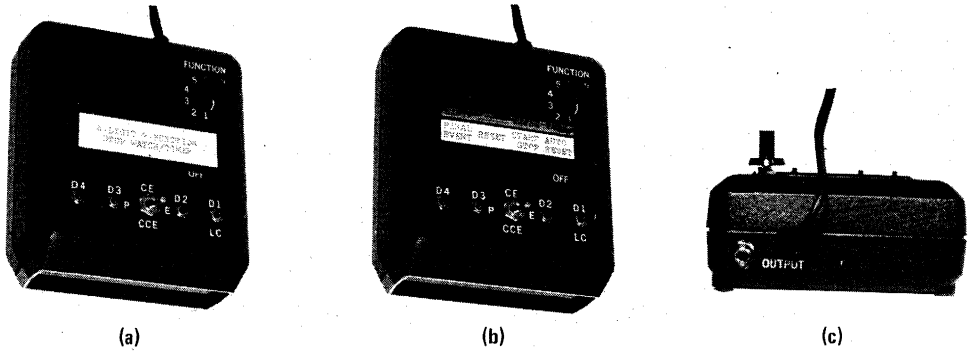


Figure 1. External Photographs of Stopwatch/Timer. a) View of Function Switch, Comparator Switch, and Digit Programming Switches. b) With flip-cover raised, four additional switches are seen. The flip-cover is designed so that a press of the closed cover closes the Start/Stop Switch. c) A miniature jack is mounted at the rear of the case so that a cable may run to the appliance control box.

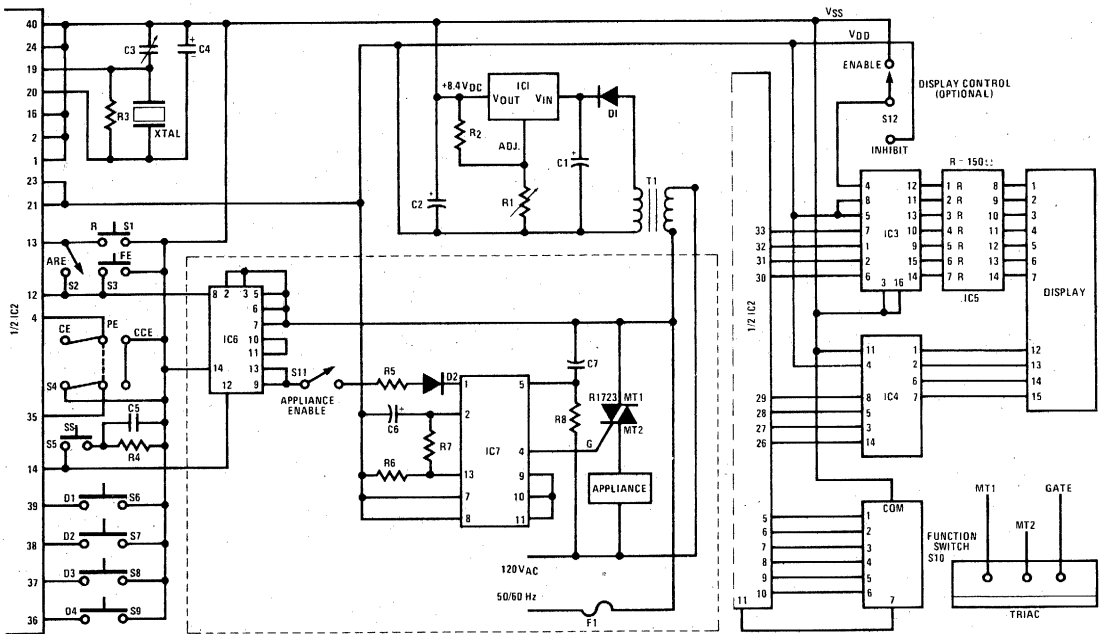


Figure 2. Schematic Diagram of the 4-Digit, 7-Function Stopwatch/Timer. As drawn, the display resolution is 1 second. A SPST switch may be included between pin 16 of IC2 and VSS to provide a display resolution of 0.01 second or 1 second. Another option, shown in the figure, is the Display Control Switch, which may be used to inhibit the display.

Table I. Switch Abbreviations

| Abbreviation | Switch                 | Functions |
|--------------|------------------------|-----------|
| ARE          | Automatic Reset Enable | 6         |
| C            | Comparator             | 1-7       |
| D1           | LSD Programming        | 6, 7      |
| D2           | Digit 2 Programming    | 6, 7      |
| D3           | Digit 3 Programming    | 6, 7      |
| D4           | MSD Programming        | 6, 7      |
| F            | Function               | 1-7       |
| FE           | Final Event            | 1-5       |
| LC           | Latch Control          | 3, 4      |
| R            | Reset                  | 1-7       |
| SS           | Start/Stop             | 1-7       |

**Table II. Resolution Select Code.** A zero indicates that the pin is left floating (or connected to  $V_{DD}$ ); a one indicates that the pin is connected to  $V_{SS}$ . Note that when an external clock is applied to pin 15, pins 16 and 17 must be connected to  $V_{SS}$ .

| Resolution Select |        | Frequency of Clock to Counters | Display Resolution |
|-------------------|--------|--------------------------------|--------------------|
| Pin 16            | Pin 17 |                                |                    |
| 0                 | 0      | 100Hz                          | 0.01sec            |
| 0                 | 1      | 10Hz                           | 0.1 sec            |
| 1                 | 0      | 1Hz                            | 1 sec              |
| 1                 | 1      | External                       | —                  |

**Table III. Divide Scaler Code**

| Divide Scalers |       |          | Modulo    |          |    |           |    |          |
|----------------|-------|----------|-----------|----------|----|-----------|----|----------|
|                |       |          | Counter 1 |          |    | Counter 2 |    |          |
| Pin            | Digit |          | Digit     |          |    | Digit     |    |          |
| 1 2 3          | 4     | 3 2 1    | 4         | 3 2 1    | 4  | 3 2 1     | 4  | 3 2 1    |
| 0 0 0          | 10    | 10 10 10 | 10        | 10 10 10 | 10 | 10 10 10  | 10 | 10 10 10 |
| 1 0 0          | 6     | 10 10 10 | 6         | 10 10 10 | 6  | 10 10 10  | 6  | 10 10 10 |
| 0 1 0          | 10    | 6 10 10  | 10        | 6 10 10  | 10 | 6 10 10   | 10 | 6 10 10  |
| 1 1 0          | 10    | 10 6 10  | 10        | 10 6 10  | 10 | 10 6 10   | 10 | 10 6 10  |
| 0 0 1          | 10    | 10 10 10 | 10        | 10 10 10 | 10 | 10 10 10  | 10 | 10 10 10 |
| 1 0 1          | 10    | 10 10 10 | 6         | 10 10 10 | 6  | 10 10 10  | 6  | 10 10 10 |
| 0 1 1          | 10    | 10 10 10 | 10        | 6 10 10  | 10 | 6 10 10   | 10 | 6 10 10  |
| 1 1 1          | 10    | 10 10 10 | 10        | 10 6 10  | 10 | 10 6 10   | 10 | 10 6 10  |

A zero indicates that the pin is left floating (or connected to  $V_{DD}$ ); a one indicates that the pin is connected to  $V_{SS}$ .

Press the SS switch to initiate a sequence of timing series. Press the SS switch again to end a serial (functions 1, 2, 3, 5) and simultaneously initiate a new serial while freezing the display (function 3), or to freeze the display during a continuous count sequence (function 4).

Press the SS switch a third time to initiate a new timing serial (functions 1, 2, 3, 5) or to update the display during a continuous count sequence (function 4). Subsequent presses of the SS switch will repeat the action described above.

Press the LC switch to display a continuing, undisplayed count (functions 3 and 4). Press the FE switch to end a sequence. A final press of the SS switch at the end of a sequence is required to display total elapsed time (functions 1, 3, 5) or total accumulated time (function 2). Subsequent presses of the SS switch after the end of a sequence simply repeat the display of the final serial time, then the total elapsed or total accumulated time.

The operations which may be performed in each function are shown in the flow charts of *Figures 3 through 8*. The first line of type in each PROCESS rectangle indicates a switch or the display upon which an action may be performed. The second line of type indicates the position in which the switch must be placed or the action to be performed. The parallelograms in the flow charts indicate points at which a DECISION must be

made. The operation of each function is detailed in the first article of this series.

To operate the timer in function 6, rotate the F switch to function 6, place the C switch in the CCE position, and press the R switch. The display will show four zeros when the R switch is pressed.

The count-up time is programmed into the timer by pressing D1 through D4, one switch at a time, until the desired count-up time appears in the display.

After digit programming, place the ARE switch in the ON position if automatic resetting is desired. The initial press of the SS switch will cause the display to blank, then to indicate the count-up to the programmed time. During the up-count the CA3059 will be enabled, allowing the appliance to be turned on. When the count-up reaches the programmed time, the comparator output will go from 0 volts to 8.4 volts. At this time the CA3059 will be inhibited, and the appliance will turn off. Pressing the R switch any time after the digits have been programmed causes the comparator and counter 2 to reset. Switching the C switch to OFF causes the comparator output pin to go to  $V_{DD}$  as long as it is OFF. If the C switch is again placed in the CCE position (before the R switch is pressed), the comparator output pin will go back to  $V_{SS}$ . Of course, any time the FE switch is pressed the comparator output will go to  $V_{SS}$ .

If the ARE switch is ON, the count-up sequence may be repeated by pressing the SS switch again. Nothing need be changed until it is necessary to reprogram the digits. When reprogramming is necessary, simply change the time shown in the display to the new time, with the ARE switch in the OFF position, using the digit programming switches. Then press the SS switch to start the up-count. If the ARE switch is OFF, it is necessary to press the reset before starting a new count-up.

To operate the timer in function 7, rotate the F switch to function 7, place the ARE switch in the OFF position, place the C switch in the PE position, and press the R switch. The count-down time is programmed into the timer by pressing D1 through D4, one switch at a time, until the desired count-down time appears in the display. The C switch must then be placed in the CCE position.

Pressing the SS switch will cause counter 1 to begin its down-count from the programmed time to "0000" and will cause the CA3059 to be enabled, turning on the appliance as in function 6. When counter 1 reaches "0000" the CA3059 will be inhibited, turning the appliance off. The down-count is displayed, and may be halted at any time by pressing the FE switch; the down-count may not be resumed. Pressing the R switch any time after digit programming will reset counter 1.

When using function 7, the comparator must be disabled and the R switch must be pressed before digit programming. Then the comparator must be enabled. This is unlike function 6, in which digit programming is allowed at any time, regardless of the state of the comparator. In addition, the ARE switch must not be used in function 7.

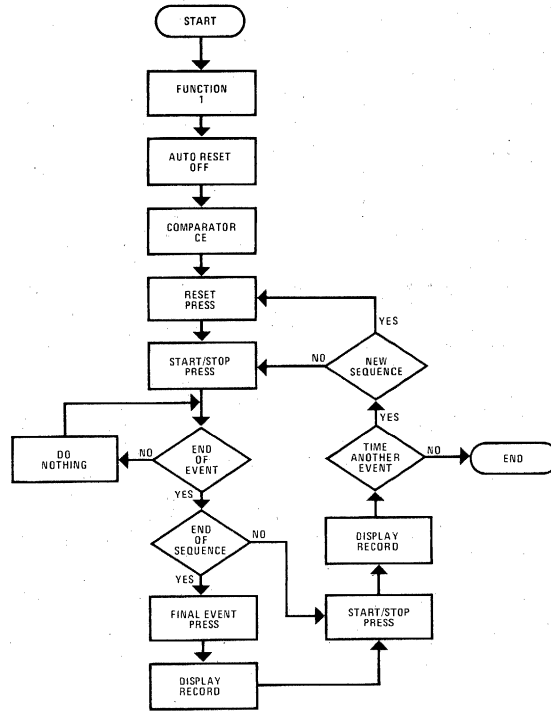


Figure 3. Functions 1 and 2. Pressing START/STOP after FINAL EVENT has been pressed gives Total Elapsed Time in Function 1, Total Accumulated Time in Function 2.

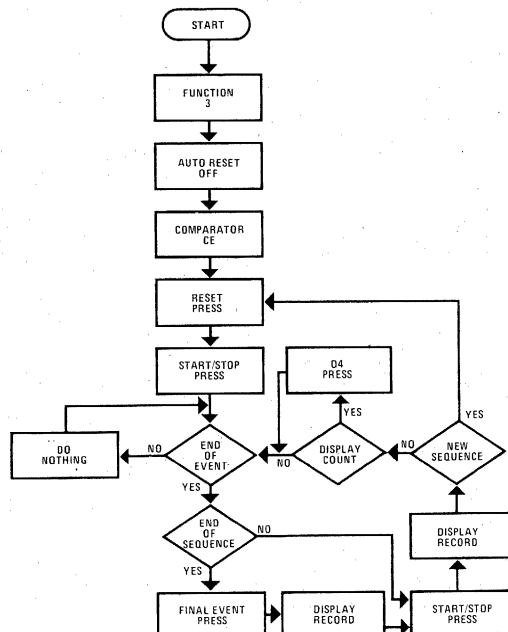


Figure 4. Function 3. Pressing START/STOP after FINAL EVENT has been pressed gives Total Accumulated Time.

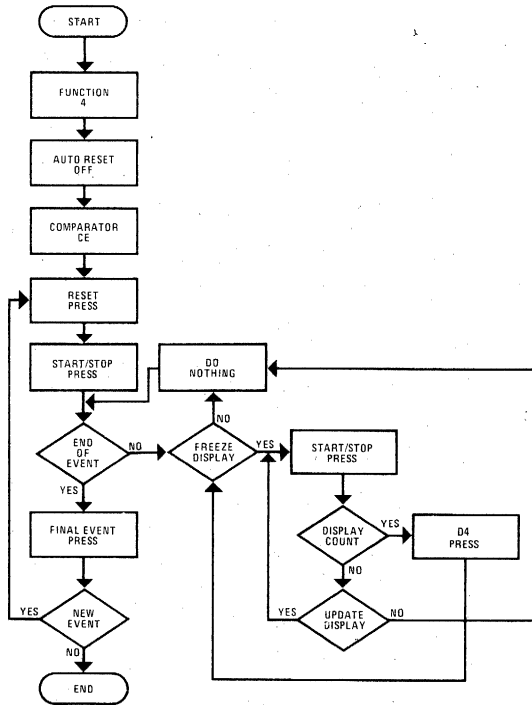


Figure 5. Function 4.

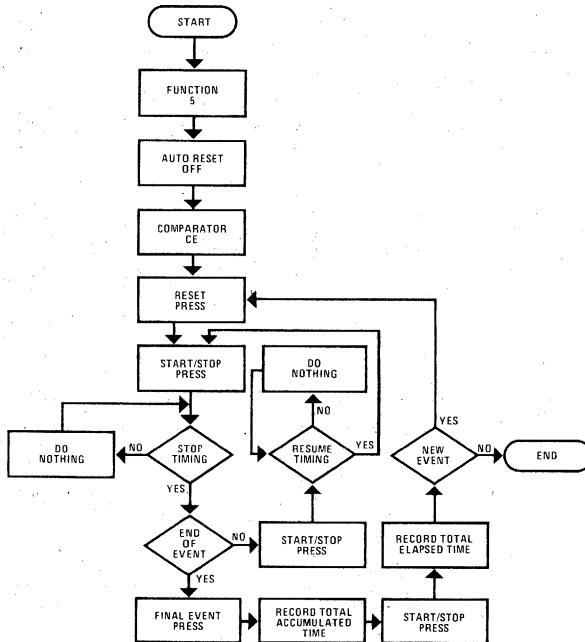


Figure 6. Function 5.

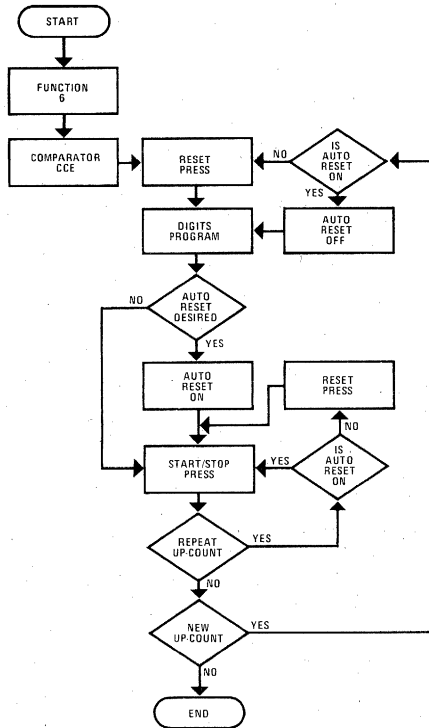


Figure 7. Function 6.

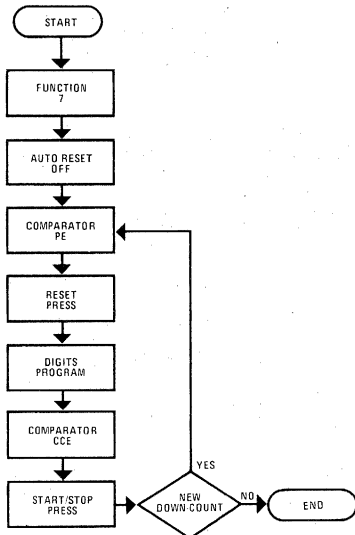


Figure 8. Function 7.

## interfacing the stopwatch/timer with an appliance circuit

There are many ways to interface the comparator output with an appliance control circuit. One method of interfacing the MM5865 with an appliance control circuit is shown enclosed in dotted lines in Figure 2. Figure 2 is the schematic diagram of the stopwatch/timer.

The 74C02 has been included as the interfacing element between the comparator output pin and the trigger circuit of a triac. Figure 9 is a detailed schematic of the 74C02 connections which form a NOR latch.

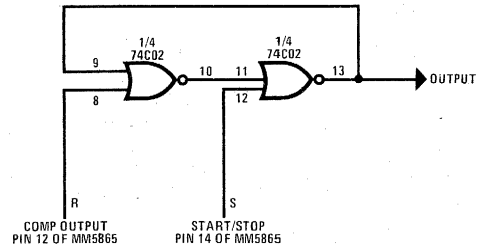


Figure 9. Detail of the 74C02 NOR Latch. The latch interfaces the MM5865 to the CA3059.

The appliance control circuit does not cause RFI because the triac is triggered by a zero-voltage switch. Triac firing can be inhibited by the application of a positive (up to 10V) voltage to pin 1 of the CA3059.

When power is initially applied to the stopwatch/timer the S and R inputs of the latch are both "0." When the R switch is pressed, the output of the latch will go to  $V_{SS}$ , inhibiting the CA3059 pulses to the triac.

When the SS switch is pressed (after digit programming) the output of the latch will go to  $V_{DD}$  and the CA3059 will be enabled, turning on the appliance. As the programmed time is reached by counter 2 of the MM5865 (function 6), or as counter 1 reaches "0000" (function 7), the comparator output will go to  $V_{SS}$ , the output of the latch will go to  $V_{SS}$ , and the CA3059 will be inhibited, turning off the appliance.

The inhibit level provided by the latch may be removed from the CA3059 by opening the Appliance Enable Switch. This allows the appliance to be turned on for adjustments. For example, when the timer is used with an enlarger, the Appliance Enable Switch permits enabling of the enlarger lamp for focusing and magnification adjustments.

The output of the latch is connected to the appliance control circuit via a tape recorder cable which plugs into a jack mounted at the rear of the stopwatch/timer case and a jack mounted on the appliance control circuit housing. The housing for the appliance control circuit should also have a socket into which the appliance may be plugged, unless a direct connection is desired.

As shown in *Figure 2*, the appliance control circuit consists of a triac and its trigger circuit. When the CA3059 zero voltage switch is enabled, the trigger circuit applies a brief gate signal to the triac for every alternation of the AC line voltage. After the triac is turned on by the gate signal, it remains on for the complete half cycle until the zero-crossing point is reached at the end of the alternation. The appliance receives the full AC line voltage under these conditions.

If the NOR latch inhibits the trigger circuit while the triac is conducting, the triac cuts off when the line voltage approaches zero. It remains off until another gate signal is applied. Therefore, the NOR latch controls the AC input to the appliance.

With the heat sink specified the triac can safely handle appliances rated up to 100 watts (0.83 Amp). For greater appliance loads a larger heat sink should be used. The specified triac is able to handle appliance loads up to 10 Amps. Of course, the fuse must be large enough to handle the current drawn by the appliance. Use a fast blow fuse if possible.

## construction

The printed circuit board was designed specifically for the James Electronics' instrument/clock case only after assurance that the company has a permanent source for the cases; however, the board may be mounted in any case of sufficient size.

Because the layout of the PC board requires that some traces be proximate, the board must be inspected while it is being etched. During these inspections proper resolution of the traces is maintained, if necessary, by rinsing the board in water and carefully scraping the photoresist from any copper which forms a short circuit between adjacent traces. The scraping is done best with an X-Acto blade. Etching should be continued with frequent inspections.

If the exposure time, the amount of light, and the development time are exactly correct, trace resolution is usually not a problem. However, it is difficult to compute and control these variables without performing many experiments. The inspection method described above can save many boards which otherwise would be lost because of trace resolution defects.

In addition to the care which must be given to the PC board during the etching process, excessive solder should be avoided when soldering to the pads. In case of difficulty with timer operation during the checkout procedure, suspect the board immediately.

Furthermore, no thought should be given to the idea of not using sockets for the integrated circuits. James Electronics has four socket styles. All are adequate except the wire wrap sockets. (The diameter of the wire wrap leads is too large.) However, it is easier to insert and remove ICs from the standard tin and gold sockets.

The drilling guides shown in *Figure 10* indicate all drill sizes for the parts shown in the parts list. Every effort has been made to allow the board to accommodate a variety of components. For this reason, there are extra pads and punch guides on the drilling guides. Refer also to the component layouts shown in *Figure 11*. The boards may be prepared using the X1 positives shown in *Figure 12*.

The bottom half of the James case should be prepared for the board by removing the 6 plastic pegs at the front of the case if they are present. The pegs may be removed by grasping them in the jaws of a long-nose pliers and shaking them from side to side while pulling on the pliers.

The earphone socket should be drilled out from the outside of the bottom half of the case with a 31/64-inch drill bit. This will allow a 7-function rotary switch to be mounted in the right hand (facing the display) corner of the rear section of the top half of the case. When doing this, first press the bit to the 3/8-inch hole in the bottom half of the case, *then* turn on the drill. The bit should slice the earphone socket off with 4 or 5 turns of the chuck.

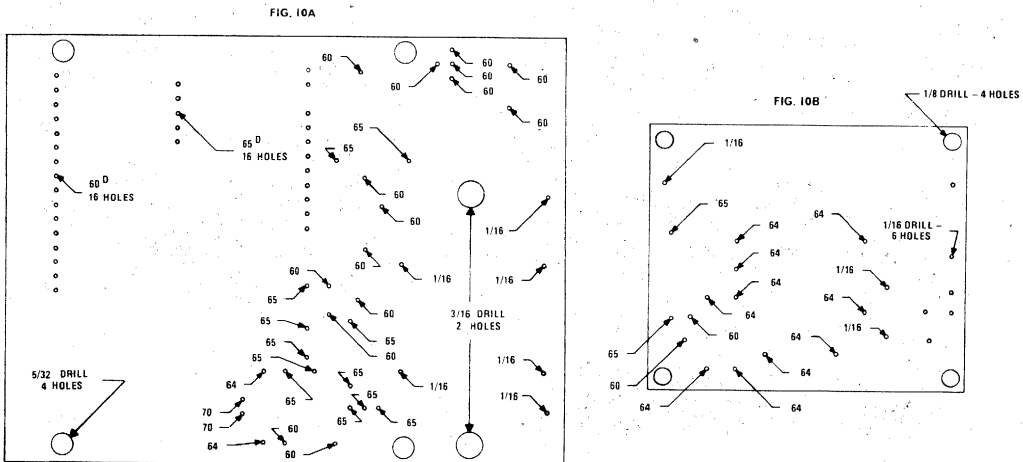


Figure 10. Drilling Guides for the Printed Circuit Boards. a) Drill sizes and hole locations for the Stopwatch/Timer PC board. b) Drill sizes and hole locations for the appliance control circuit. Dimensions are in inches.

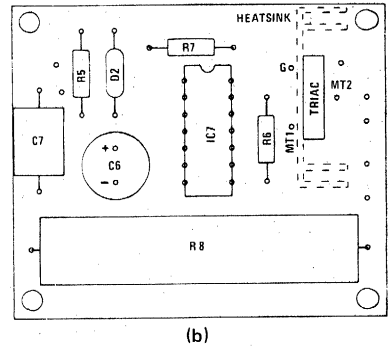
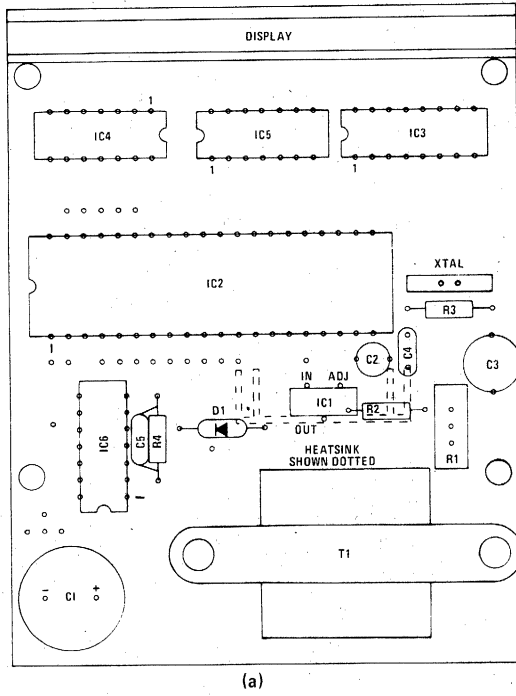


Figure 11. Printed Circuit Board Component Layouts. a) Layout for the Stopwatch/Timer PC board. b) Layout for the Appliance Control PC board. (Approximately 4/5 size shown).

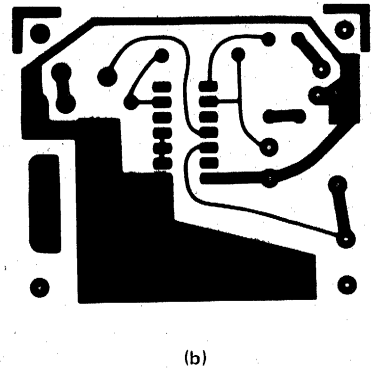
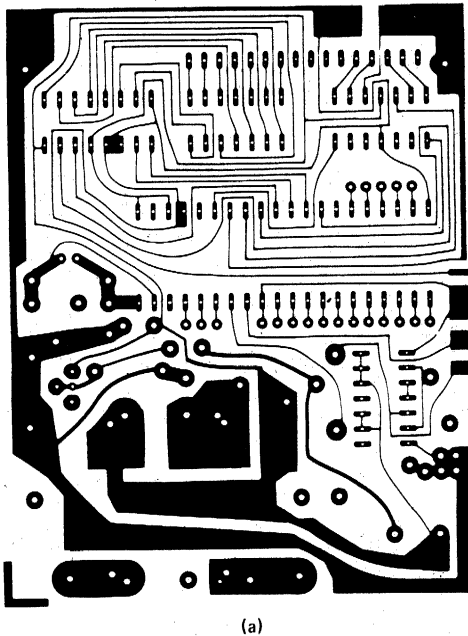


Figure 12. Positives for the Printed Circuit Boards. a) Positive for the Stopwatch/Timer. b) Positive for the Appliance Control circuit. (Approximately 4/5 size shown).

The center portion of the top half of the case has been designed for a switch assembly composed of three push-button switches and one slide switch. The assembly is made of calculator-type switches and a flex-circuit; however, James Electronics provides neither the switches nor the flex-circuit.

Figure 13a shows the layout of the flex-circuit; Figure 13b is a view of the flex-circuit after it has been folded over the thin plastic insulator which is shown in Figure 13c. The insulator must be oriented so that the circular cutouts are between the two sets of four copper hexagons. The copper trace through each hexagon forms one contact of a SPST switch.

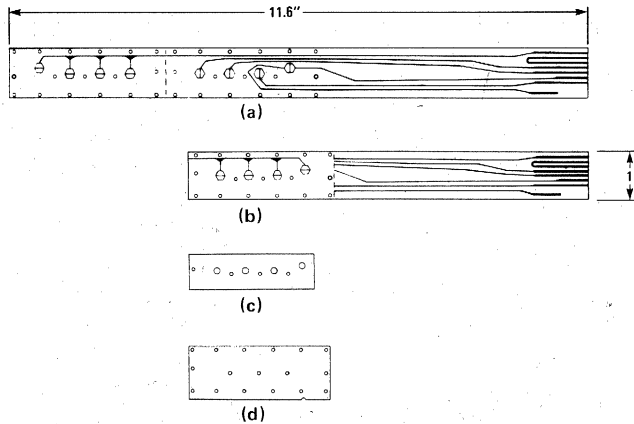


Figure 13. Flex-Circuit Assembly. a) Layout of the flex-circuit. b) Layout of the flex-circuit after it has been folded to form the contacts of three SPST momentary pushbutton switches and one SPST slide switch. c) Thin plastic insulator which must be inserted between the folded portions of the flex-circuit. d) Plastic cover which fits over the flex-circuit assembly to hold it in place in the top of the case.

If the automatic reset feature for function 6 is to be included, cut the slide switch hexagon connection to  $V_{SS}$  as shown in Figure 14 and cut a little square piece from the thin insulator. This small square should be just large enough to allow a solder connection to be made between the trace going to the slide switch hexagon and the trace going to the FE switch hexagon. To solder the traces together, pre-tin both traces slightly, fold the flex-circuit as shown in Figure 13b, and apply a small soldering iron tip to the trace going to the slide switch hexagon at a point above the insulator cutout.

The switches should then be placed in the top of the box in the spaces provided. The flex-circuit is then placed over the switches. Finally, the plastic cover fits over the entire assembly as shown in Figure 15. Holding the plastic cover firmly in place, touch a clean soldering iron tip to each of the plastic pegs protruding through the assembly cover is sealed to the top of the case. Cut the single tall plastic peg to the rear of the switch assembly cutout if there is one.

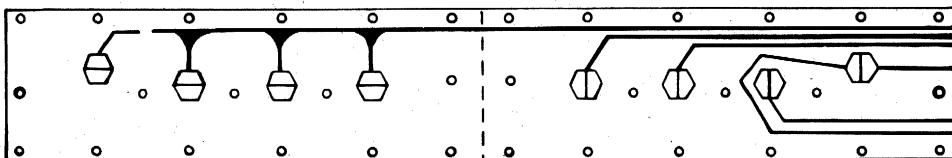


Figure 14. Full-Size Partial Drawing of the Flex-Circuit Layout Showing the Trace which Must be Cut if the Auto Reset Option is Desired.



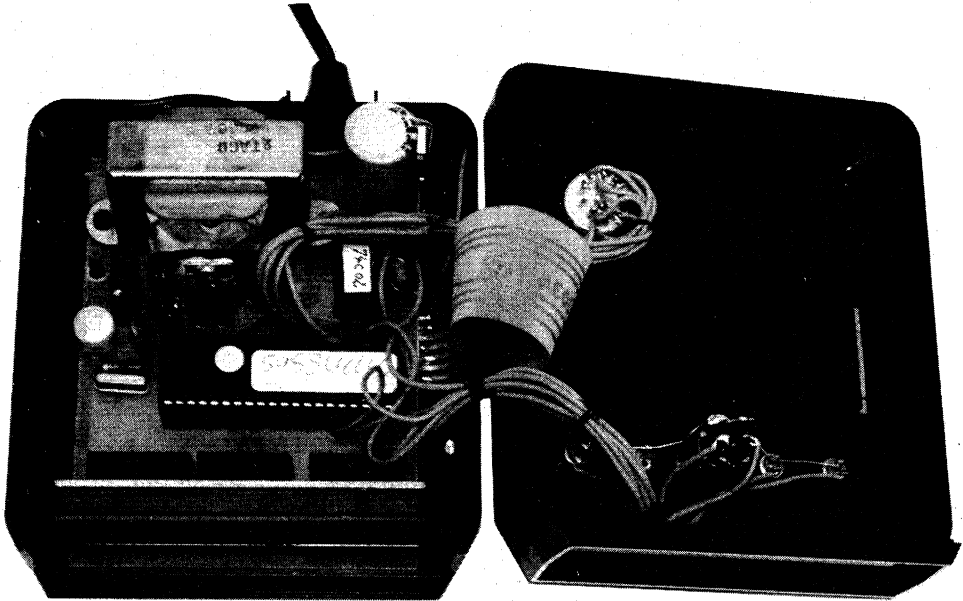


Figure 15. Photograph Showing the Internal Construction of the Stopwatch/Timer. Note how flex-circuit runs from the top of the case to the trace-side of the printed circuit board.

Drill the holes for the rotary function switch, the comparator switch, and the four programming switches as shown in the drilling guide of *Figure 16*. The drilling guide must be modified as shown in *Figure 17* if the Centralab PS-101 switch is used. The holes for the rotary switch must be marked and drilled precisely. In addition, if the Centralab PS-101 switch is used the filter capacitor, C1, must lie on its side to make room for the function switch. Mounting the top of the case to the bottom is easier if the Centralab PS-101 switch is used. If desired, a jack may be mounted in the bottom half of the case in the right hand rear corner, behind C1, to provide a quick connection to an enlarger or appliance control circuit. The fit will be tight, but a miniature jack can be mounted without much difficulty. This completes the case preparations.

Before parts are mounted to the PC board, the fit of the board to the case should be checked. It may be necessary to adjust the mounting holes slightly with a small round file. Try not to completely break the traces surrounding the mounting holes. There are six mounting holes in the PC board. These holes match six plastic pegs in the bottom of the case. Two of the pegs are to be inserted through the transformer mounting flanges if a transformer of the correct size is used. If the Radio Shack, or some other transformer which does not fit precisely, is used, it may not be possible to fit the pegs through the transformer mounting flanges.

After the IC sockets are mounted, the transformer and C1 should be mounted. If the Centralab PS-101 switch is used, the filter capacitor should be attached to the board.

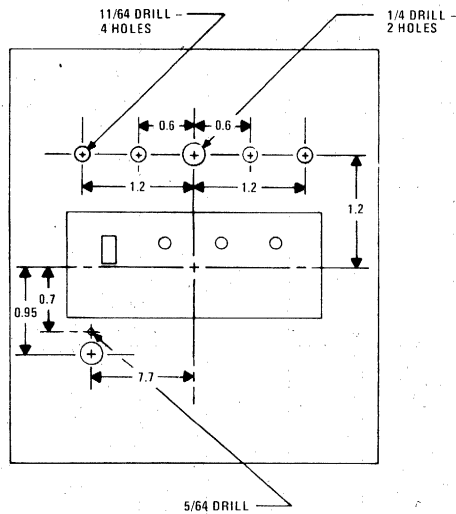


Figure 16. Drilling Guide for the Case Top if the MRC-1-10 Rotary Function Switch is Used. (Dimensions in inches.)

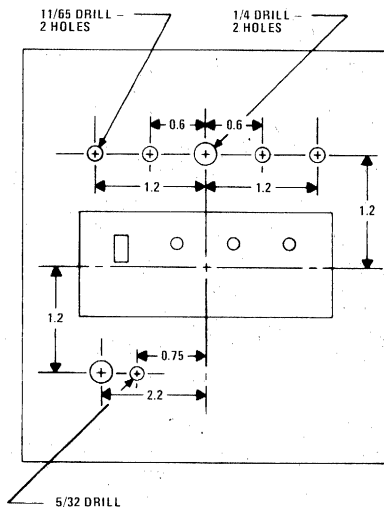


Figure 17. Drilling Guide for the Case Top if the PS-101 Rotary Function Switch is Used. (Dimensions in inches.)

with leads that are long enough to permit the capacitor to lie on its side. The diameter of C1 must not be greater than 0.7 inch and its length must not be greater than 1.2 inch.

The display mounting pins should be soldered to the display before the display is mounted to the board. Be careful not to lift the display pin pads when soldering.

Wires must be soldered to the board and connected to the switches mounted to the top of the case. Refer to the wiring diagram shown in *Figure 18*.

Wire jumpers may be used to program the display resolution and the modulo of the counters using the charts shown in *Tables I* and *II*. The connections shown in *Figure 2* cause the display to read in tens of minutes, minutes, tens of seconds, and seconds; maximum time is 99 min 59 sec. A pad which allows a connection to an external clock is available at pin 15 of the MM5865.

After all components have been mounted and all wire connections have been made, proceed to the preliminary checkout and adjustments section before applying power to the board.

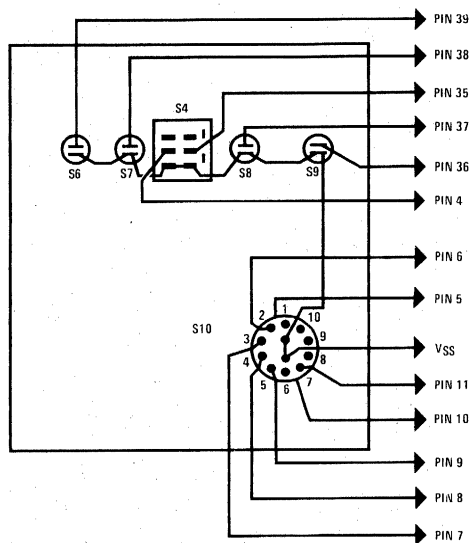


Figure 18. Wiring Diagram for the Switches Mounted in the Case Top.

## preliminary checkout and adjustments

The following tests and adjustments should be carefully completed before power is applied to the stopwatch/timer or the appliance control circuit.

Rotate the F switch to function 7, place the ARE switch in the OFF position, place the C switch in the CCE position, and disconnect the tape recorder plug from the jack at the rear of the stopwatch/timer case. Adjust R1 for minimum resistance. Do not connect any appliance to the appliance control circuit, but do place a fuse in the fuse holder.

Measure the following points for the indicated amount of resistance:

1. Across the stopwatch/timer line cord plug > 50 ohms
2. Across C1, with VOM on X1K scale and common probe to  $V_{DD}$ , > 5k ohms, after C1 charges
3. Across R1 < 15 ohms
4. Across C2 > 100 ohms.
5. Across the appliance control circuit line plug > 10k ohms

If these values of resistance cannot be found at the points indicated, check the PC boards for opens or shorts as necessary. Then, with a VOM connected across C2, apply power to the stopwatch/timer; the VOM should read slightly more than 1 volt. Increase the resistance of R1 until the VOM reads 8.4 volts. Slightly under 8.4 volts is better than slightly over. Pressing the reset switch should cause "0000" to appear on the display, unless the display already reads "0000."

If the display is blank or indicates only one or two zeroes, the oscillator is probably not oscillating. Rotate C3, 360 degrees if necessary, while observing the display. If the display still fails to respond properly, check the voltage at pin 20 of the MM5865; it is very close to 6 volts when the oscillator is functioning.

After oscillation has been confirmed the display should be examined for segment and digit defects. If any segment or digit does not appear in the display (The g segment does not appear when the display reads all zeroes.), the board and the display mounting pin connections must be checked.

When handling the stopwatch/timer before it is mounted in its case, extreme care must be used to not break the connections between the flex-circuit and the printed circuit board. However, these connections need not be made until the oscillator and display have been checked out.

After the oscillator and display checkout, the frequency of the oscillator should be adjusted to the crystal frequency using C3. Then the board may be placed in the bottom of the case. The balance of the preliminary checkout consists of stepping through the operational flow diagrams in *Figures 3-8*; a VOM should be connected to the output jack during the functions 6 and 7 checkout. If any of the switches under the flip cover fail to respond, check to see if the flex-circuit is broken at the point where it connects to the board.

## final assembly and checkout

The board may be fastened to the bottom of the case by forcing #6 tinnerman nuts over the plastic pegs which appear through the holes indicated in *Figure 11*. This may be done easily with a 5/16-inch nutdriver. Then force the line cord in the cutout provided.

The top of the case may then be carefully fitted to the bottom, with the red plastic filter partially in place.

A slot in each half of the case retains the filter when the case halves are fastened. If the MRC-1-10 switch is used, the fit will be tight because of its proximity to C1. The cutout for the line cord in the top half of the case must be forced over the line cord.

Once the two halves are fitted properly, fasten them together using the four screws provided with the case. Install the rubber feet and proceed with the final checkout.

The final checkout is a repetition of the operational checks using the flow diagrams. Each option at each decision point in every flow diagram should be exercised.

## resolution and accuracy

If a crystal is used for the time base of the stopwatch/timer, the accuracy of the displayed count will, of course, depend upon the particular crystal used. In addition, because the MM5865 begins to count on the leading edge of the start/stop pulse, the width of this pulse becomes important when the event time is very short.

For example, when coupling the timer to an appliance, if the width of the start/stop pulse is longer than the event time, the appliance will not turn off at the end of the programmed time.

This is why C5 and R4 have been included. Together they insure that the start/stop pulse will not be longer than 0.01 second. This pulse width should be adequate for most users. C5 and R4 may be omitted if the length



## PARTS LIST

|                                 |   |            |  |
|---------------------------------|---|------------|--|
| R1                              | 5k $\Omega$ trimpot   | Triac      | HEP R1723  |
| R2                              | 240 $\Omega$ , 1/4W, 5% resistor                                  | F1         | 1A fast or normal blow fuse  |
| R3                              | 20M $\Omega$ , 1/4W, 5% resistor                                  | XTAL       | 32.8kHz crystal (32.768kHz can be substituted. Timer will lose about 35 sec in 11 hr 20 min of use.)   |
| R4                              | 1M $\Omega$ , 1/4W, 5% resistor                                   | S1, S3, S5 | SPST, NO, momentary pushbutton switches; part of flex-circuit switch assembly.   |
| R5                              | 100k $\Omega$ , 1/4W, 5% resistor                                 | S2         | SPST slide switch; part of flex-circuit switch assembly.   |
| R6                              | 5.1k $\Omega$ , 1/4W, 5% resistor                                 | S4         | DPDT, center OFF toggle switch   |
| R7                              | 4.7k $\Omega$ , 1/4W, 5% resistor                                 | S6 - S9    | SPST, NO, momentary pushbutton switches  |
| R8                              | 10k $\Omega$ , 1W, 5% resistor                                    | S10        | 7 - 12 position rotary switch - Centralab PS-101 or Alcoswitch MRC-1-10.   |
| C1                              | 470 - 1000mF, 25V capacitor                                       | S11        | SPST toggle switch   |
| C2                              | 10mF, 25WV <sub>DC</sub> solid tantalum capacitor                 | S12        | SPDT toggle switch (optional)  |
| C3                              | 6 - 25pF variable capacitor. Sprague QT1-18 4 - 30pF may be used. | Display    | National Semiconductor NSB5411 4-digit multiplexed display.  |
| C4                              | 25 - 27pF, disc ceramic capacitor                                 | Heat Sink  | TO-220 heat sink. Two needed.  |
| C5                              | 0.01mF disc ceramic capacitor                                     | Misc.      | 16 display mounting pins (strip of 16 pins); 1 case; Clock/Instrument (available from James Electronics); 1 flex-circuit; 1 flex-circuit insulator; 2 Tinnerman nuts, #6; fuseholder; appliance control box, #LMB C.R.-234; 115V <sub>AC</sub> chassis mounting socket; miniature jacks; phone cable (shielded); IC sockets. |
| C6                              | 100mF, 25WV <sub>DC</sub> capacitor                               |            |  |
| C7                              | 0.05mF, 200WV <sub>DC</sub> capacitor                             |            |  |
| D <sub>1</sub> , D <sub>2</sub> | IN4003  |            |  |
| T1                              | 10 - 16.5V <sub>AC</sub> @ 300mA transformer                      |            |  |
| IC1                             | LM317T voltage regulator  |            |  |
| IC2                             | MM5865 universal timer  |            |  |
| IC3                             | CD14511 decoder/driver/latch                                      |            |  |
| IC4                             | DS8877 or DS75492 digit driver                                    |            |  |
| IC5                             | RA07 - 150 resistor array   |            |  |
| IC6                             | 74C02 quad 2-input NOR gate                                       |            |  |
| IC7                             | CA3059 zero voltage switch  |            |  |

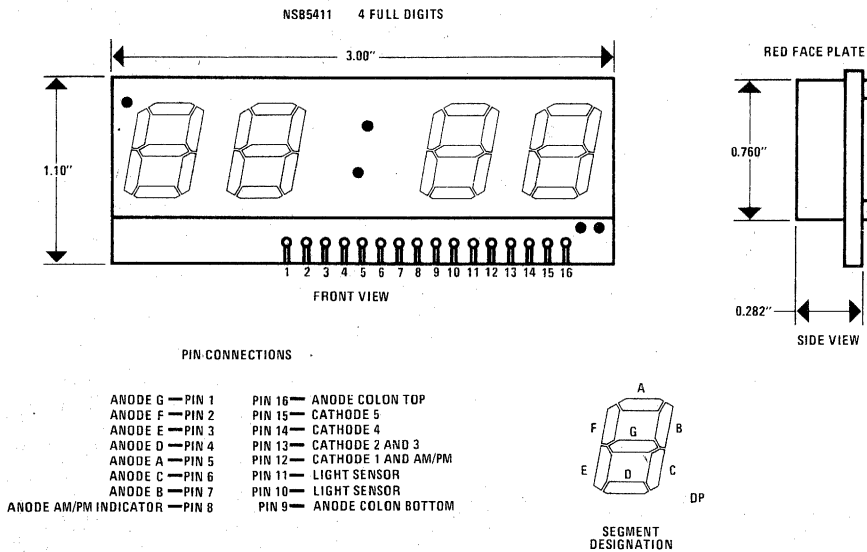


Figure 21. Dimensions and Pin Connections for the National Semiconductor Corp. NSB5411 4-Digit, Multiplexed Display. Mounting holes for a photocell are included on the display board.



**SECTION 3**  
**ELECTRONIC ORGAN CIRCUITS**



# Electronic Organ Circuits

## MM5554 frequency divider

### general description

The MM5554 frequency divider provides six stages of binary division to produce six octave-related outputs of an electronic musical instrument tone generator. Each divider stage consists of an asynchronous, DC-coupled flip-flop. The six stages are internally connected in cascades of one, two, and three flip-flops. Each flip-flop drives a push-pull output buffer, which provides low output impedance in both logic states. Two of the internal cascades also provide trigger outputs for use in cascading the divider stages. The timing diagram shown results from connecting the same input trigger to all three inputs.

The MM5554 complements the MM5555/MM5556

chromatic frequency generator; output characteristics and power supply requirements are compatible. The MM5554 is packaged in a 14-lead dual-in-line package.

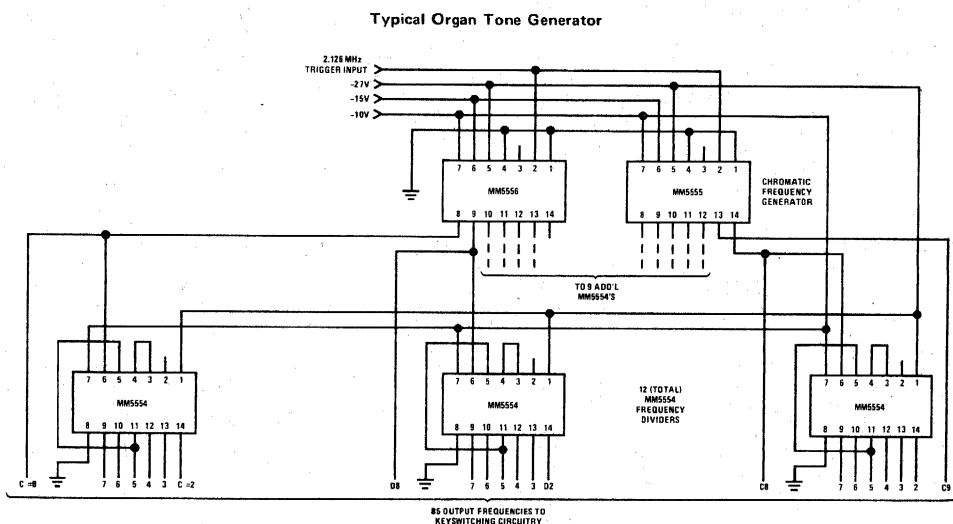
### features

- 0 to 500 kHz toggle frequency
- 1-, 2-, 3-stage partitioning

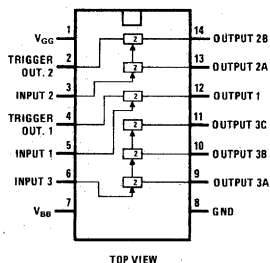
### applications

- Electronic organs
- Electronic music synthesizers
- Musical instrument tuners

## logic and connection diagrams



### Dual-In-Line Package



Order Number MM5554N  
See Package 18

## absolute maximum ratings

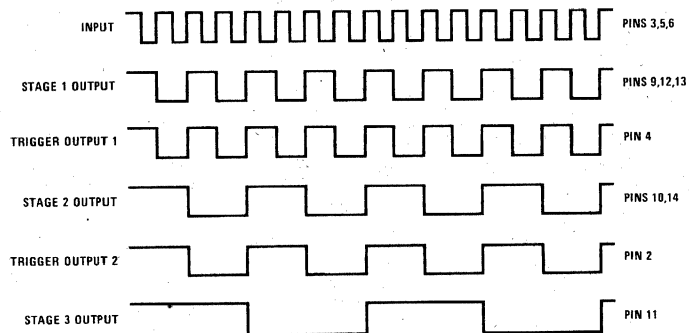
|                                    |                                   |
|------------------------------------|-----------------------------------|
| Logic Supply Voltage ( $V_{GG}$ )  | $V_{SS} + 0.3V$ to $V_{SS} - 33V$ |
| Buffer Supply Voltage ( $V_{BB}$ ) | $V_{SS} + 0.3V$ to $V_{SS} - 18V$ |
| Trigger Input Voltage ( $V_{IT}$ ) | $V_{SS} + 0.3V$ to $V_{SS} - 18V$ |
| Power Dissipation ( $P_D$ )        | 250 mW                            |
| Storage Temperature ( $T_S$ )      | $-55^{\circ}C$ to $+100^{\circ}C$ |
| Operating Temperature ( $T_A$ )    | $0^{\circ}C$ to $+70^{\circ}C$    |

## electrical characteristics

$T_A$  within operating range ( $V_{GG} = -27 \pm 2V$ ,  $V_{BB} = -10 \pm .5V$ ), unless otherwise noted.

| PARAMETER   | SYMBOL     | MIN      | TYP | MAX      | UNITS   |
|---|------------|----------|-----|----------|---------|
| Trigger Inputs:   |            |          |     |          |         |
| Frequency   | $f_{IT}$   | DC       |     | 500      | kHz     |
| Rise and Fall Times (10% to 90%)  | $t_r, t_f$ |          |     | 25       | ns      |
| Pulse Width (at 90%)  | $p_w$      | 1        |     |          | $\mu s$ |
| Logical High Level  | $V_{ITH}$  | -2.5     |     | $V_{SS}$ | V       |
| Logical Low Level   | $V_{ITL}$  | -18.0    |     | -7.0     | V       |
| Leakage Current   | $I_{ITL}$  |          |     | 1.0      | $\mu A$ |
| Trigger Outputs: (loaded 10M ohm to ground, $T_A = 25^{\circ}C$ )                         |            |          |     |          |         |
| Logical High Level  | $V_{OTH}$  | -1.5     |     | 0        | V       |
| Logical Low Level   | $V_{OTL}$  |          |     | -10      | V       |
| Buffer Outputs: (loaded 20K ohm to ground and 20K ohm to $V_{BB}$ , $T_A = 25^{\circ}C$ ) |            |          |     |          |         |
| Logical High Level  | $V_{OH}$   | -1.0     |     | 0        | V       |
| Logical Low Level   | $V_{OL}$   | $V_{BB}$ |     | -8.0     | V       |
| Supply Currents: (no output loads, $T_A = 25^{\circ}C$ )                                  |            |          |     |          |         |
| Logic Supply  | $I_{GG}$   |          |     | 4        | mA      |
| Buffer Supply   | $I_{BB}$   |          |     | 20       | $\mu A$ |

## timing diagram







**absolute maximum ratings**

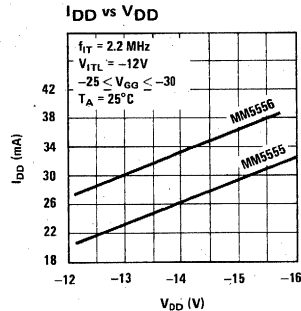
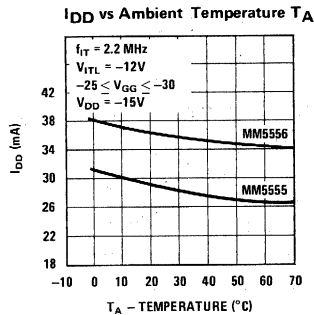
|                                      |                 |
|--------------------------------------|-----------------|
| Clock Generator Voltage ( $V_{GG}$ ) | 0.3V to -33V    |
| Logic Supply Voltage ( $V_{DD}$ )    | 0.3V to -25V    |
| Buffer Supply Voltage ( $V_{BB}$ )   | 0.3V to -18V    |
| Trigger Input Voltage ( $V_{IT}$ )   | 0.3V to -18V    |
| Power Dissipation ( $P_D$ )          | 800 mW          |
| Storage Temperature ( $T_S$ )        | -55°C to +100°C |
| Operating Temperature ( $T_A$ )      | 0°C to +70°C    |

**electrical characteristics**

$T_A$  within operating range ( $V_{GG} = -27V \pm 2V$ ,  $V_{DD} = -14V \pm 1V$ ,  $V_{BB} = -10V \pm 0.5V$ ), unless otherwise noted.

| PARAMETER  | SYMBOL     | MIN      | TYP     | MAX  | UNITS                    |
|--|------------|----------|---------|------|--------------------------|
| Trigger Input Frequency  | $f_{IT}$   | 7.0      | 2126.08 | 2200 | kHz                      |
| Capacitance  | $C_{IT}$   |          |         | 7.0  | pF/pkg                   |
| Rise and Fall Times<br>(10% to 90% at 2.2 MHz)   | $t_r, t_f$ |          |         | 30   | ns                       |
| Pulse Width (at -5.0V)   | $p_w$      | 0.4T     |         | 0.6T | $(T = \frac{1}{f_{IT}})$ |
| Logical High Level   | $V_{ITH}$  | -2.0     | 0       | 0.3  | V                        |
| Logical Low Level  | $V_{ITL}$  | -16      | -10     | -8.0 | V                        |
| Leakage Current  | $I_{ITL}$  |          |         | 1.0  | $\mu A$                  |
| Buffer Outputs: (loaded 20 k $\Omega$ to ground and 20 k $\Omega$ to $V_{BB}$ , $T_A = 25^\circ C$ ) |            |          |         |      |                          |
| Logical High Level   | $V_{OH}$   | -1.0     |         | 0    | V                        |
| Logical Low Level  | $V_{OL}$   | $V_{BB}$ |         | -8.0 | V                        |
| C8 Duty Cycle  |            |          | 50      |      | %                        |
| C #8 thru C9 Duty Cycle  |            |          | 30      |      | %                        |
| Supply Currents: (no output loads, $T_A = 25^\circ C$ )  |            |          |         |      |                          |
| Clock Generator Supply   | $I_{GG}$   | 1.5      |         | 3.5  | mA                       |
| Logic Supply   | $I_{DD}$   | 16       |         | 34   | mA                       |
| Buffer Supply  | $I_{BB}$   | 22       |         | 40   | mA                       |
|  |            |          |         | 25   | $\mu A$                  |

**typical performance characteristics**





# Electronic Organ Circuits

## MM5559 serial-to-parallel converter

### general description

The MM5559 serial-to-parallel converter provides 33 bits of conversion in a single package. A serial output facilitates cascading these devices to provide larger conversions.

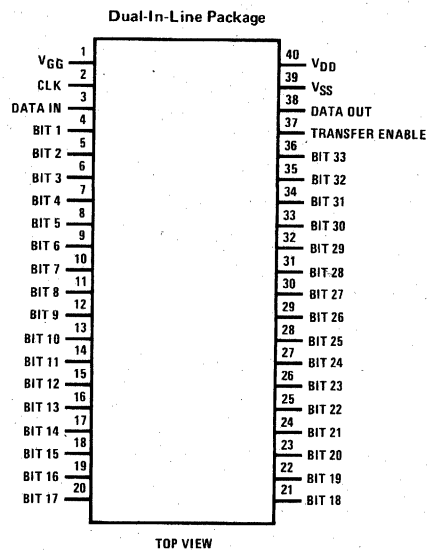
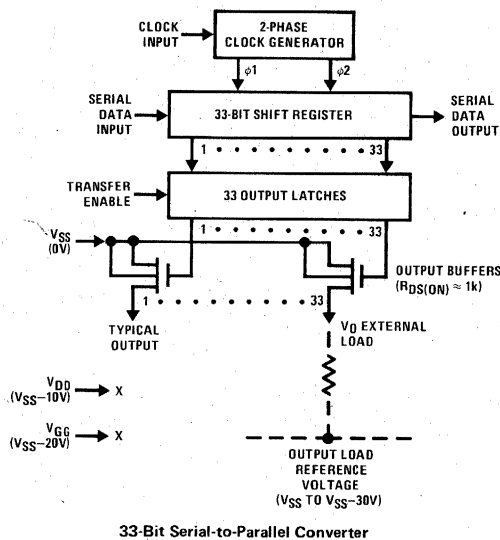
### features

- 33 Parallel outputs
- Serial output
- DC-to-250 kHz operation

### applications

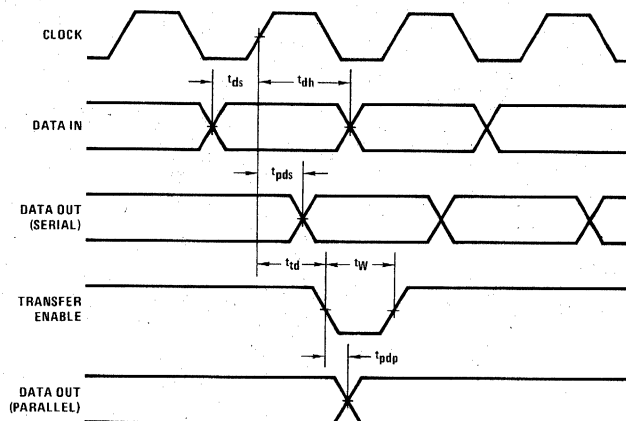
- Matrix displays and printers
- Musical instrument keyboard/tone generator interface controllers

### logic and connection diagrams



Order Number MM5559N  
See Package 24

### timing diagram



**absolute maximum ratings**

Voltage At Any Pin  
Voltage At Any Output Pin  
Operating Temperature

$V_{SS} + 0.3$  to  $V_{SS} - 25V$   
 $V_{SS} + 0.3$  to  $V_{SS} - 33V$   
 $0^{\circ}C$  to  $+70^{\circ}C$

Storage Temperature  
Lead Temperature (Soldering, 10 seconds)

$-55^{\circ}C$  to  $+100^{\circ}C$   
 $300^{\circ}C$

**dc electrical characteristics**

$T_A$  within operating range,  $V_{SS} = 0V$ ,  $V_{DD} = -10V, \pm 10\%$ ,  $V_{GG} = -20V \pm 10\%$ , output load reference voltage =  $0V$  to  $-30V$  (via external load resistor)

| PARAMETER                                | CONDITIONS                                   | MIN            | TYP | MAX            | UNITS   |
|--|--|----------------|-----|----------------|---------|
| Data Input Voltages                      |  |                |     |                |         |
| Logic High Level                         |  | $V_{SS} - 2.2$ |     | $V_{SS}$       | V       |
| Logic Low Level                          |  | $V_{SS} - 11$  |     | $V_{SS} - 7$   | V       |
| Clock and Transfer Enable Input Voltages |  |                |     |                |         |
| Logic High Level                         |  | $V_{SS} - 1.0$ |     | $V_{SS}$       | V       |
| Logic Low Level                          |  | $V_{SS} - 11$  |     | $V_{SS} - 8.6$ | V       |
| Input Capacitance                        |  |                |     | 7              | pF      |
| Input Leakage Current                    | $T_A = 25^{\circ}C$ , $V_{IN} = V_{SS} - 11$ |                |     | 10             | $\mu A$ |
| Clock Input Frequency                    | Duty Cycle = 50%                             | 0              |     | 250            | kHz     |
| Rise and Fall Times                      | $V_{SS} - 2.2$ through $V_{SS} - 8.6$        |                |     | 0.2            | $\mu s$ |
| Transfer Enable Input                    |  |                |     |                |         |
| Pulse Width                              | Time at $V_{SS} - 8.6$                       | 1.6            |     |                | $\mu s$ |
| Rise and Fall Times                      |  |                |     | 0.2            | $\mu s$ |
| Parallel Outputs                         |  |                |     |                |         |
| Output Voltage                           | $I_O = 2$ mA                                 | $V_{SS} - 2$   |     |                | V       |
| Leakage Current                          | $T_A = 25^{\circ}C$ , $V_O = V_{SS} - 30$    |                |     | 10             | $\mu A$ |
| Serial Output Voltages                   |  |                |     |                |         |
| Logical High Level                       | Loaded $56$ k $\Omega$ to $V_{DD}$           | $V_{SS} - 2$   |     | $V_{SS}$       | V       |
| Logical Low Level                        | Loaded $560$ k $\Omega$ to $V_{SS}$          | $V_{DD}$       |     | $V_{SS} - 8$   | V       |
| Power Supply Currents                    |  |                |     |                |         |
| Drain Supply, $I_{DD}$                   |  |                | 7.5 | 10             | mA      |
| Gate Supply, $I_{GG}$                    | (Note 1)                                     |                |     | 20             | mA      |

**Note 1:** The magnitude of  $I_{GG}$  is modulated by the parallel output data; the current is inversely proportional to the number of outputs that are high (sourcing current). The typical value of 7.5 mA is representative of an alternating 1's and 0's output pattern.

**ac electrical characteristics**

| PARAMETER                   | CONDITIONS  | MIN | TYP | MAX | UNITS   |
|-----------------------------|---|-----|-----|-----|---------|
| $t_{ds}$ Data Setup Time    | Referenced from $V_{SS} - 7$ on Data In to $V_{SS} - 8.6$ on Clock In | 0.4 |     |     | $\mu s$ |
| $t_{dh}$ Data Hold Time     |   | 0.2 |     |     | $\mu s$ |
| $t_{td}$ Transfer Delay     | Referenced from $V_{SS} - 8.6$  | 0.6 |     |     | $\mu s$ |
| $t_W$ Transfer Strobe Width |   | 1.6 |     |     | $\mu s$ |
| Propagation Delay           |   |     |     |     |         |
| $t_{pds}$ Serial            | High-to-Low ( $V_{SS}$ to $V_{DD}$ )                                  | 3.0 |     |     | $\mu s$ |
|                             | Low-to-High   | 1.2 |     |     | $\mu s$ |
| $t_{pdp}$ Parallel          | Low-to-High with $10$ k $\Omega$ Load                                 | 1.2 |     |     | $\mu s$ |



# Electronic Organ Circuits

## MM5823, MM5824 frequency dividers

### general description

These frequency dividers provide six stages of binary division to produce six octave-related outputs of an electronic musical instrument tone generator. Each divider stage consists of an asynchronous, dc-coupled flip-flop.

The six stages of the MM5823 are internally connected in cascades of two, one, one, and two flip-flops. Each flip-flop drives a push-pull output buffer which provides very low output impedance in both logic states.

The six stages of the MM5824 are internally connected in cascades of one, two and three flip-flops. Each flip-flop drives a push-pull output buffer which provides very low output impedance in both logic states. Two of the internal cascades also provide trigger outputs for use in cascading the divider stages.

The timing diagram shown results from connecting the same input trigger to all three inputs.

The MM5823 and MM5824 complement the MM5832, MM5833 and MM5555, MM5556 chromatic frequency generators; output characteristics and power supply requirements are compatible. The MM5823 and MM5824 are packaged in a 14-lead dual-in-line package.

### features

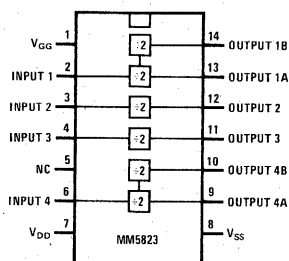
- 0 to 100 kHz toggle frequency
- 1, 2, 3 or 2, 1, 1, 2 stage partitioning

### applications

- Electronic organs
- Electronic music synthesizers
- Musical instrument tuners

### connection diagrams

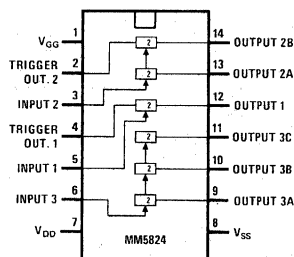
Dual-In-Line Package



TOP VIEW

Order Number MM5823N  
See Package 18

Dual-In-Line Package



TOP VIEW

Order Number MM5824N  
See Package 18

**absolute maximum ratings**

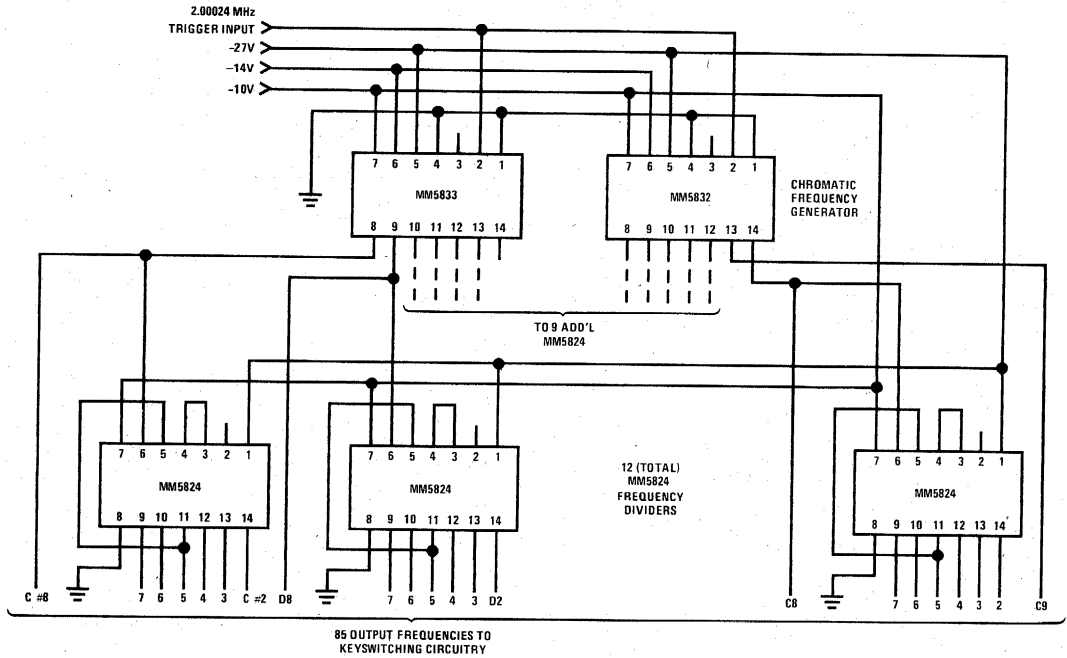
|                                    |                 |
|------------------------------------|-----------------|
| Logic Supply Voltage ( $V_{GG}$ )  | 0.3V to -30V    |
| Buffer Supply Voltage ( $V_{DD}$ ) | 0.3V to -18V    |
| Trigger Input Voltage ( $V_{IT}$ ) | 0.3V to -25V    |
| Power Dissipation ( $P_D$ )        | 250 mW          |
| Storage Temperature ( $T_S$ )      | -55°C to +150°C |
| Operating Temperature ( $T_A$ )    | 0°C to +70°C    |

**electrical characteristics**

$T_A$  within operating range ( $V_{GG} = -27 \pm 1V$ ,  $V_{DD} = -11.5 \pm 0.5V$ ,  $V_{SS} = 0V$ ), unless otherwise noted.

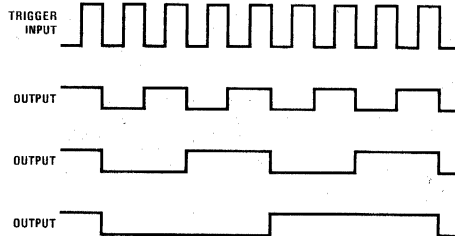
| PARAMETER  | MIN          | TYP      | MAX          | UNITS   |
|--|--------------|----------|--------------|---------|
| <b>Inputs:</b>   |              |          |              |         |
| Frequency ( $f_{IT}$ )   | DC           |          | 100          | kHz     |
| Rise and Fall Times (10% to 90%) ( $t_r$ , $t_f$ )   |              |          | 25           | $\mu s$ |
| Pulse Width (at 90%) ( $p_w$ )   | 2            |          |              | $\mu s$ |
| Logical High Level ( $V_{ITH}$ )   | -2.0         | $V_{SS}$ | 0.3          | V       |
| Logical Low Level ( $V_{ITL}$ )  | -18          | -10      | -8.0         | V       |
| Leakage Current @ $V_{ITL} = -18V$ ( $I_{ITL}$ )   |              |          | 1.0          | $\mu A$ |
| <b>Trigger Outputs: (loaded 10M ohm to ground, <math>T_A = 25^\circ C</math>)</b>                            |              |          |              |         |
| Logical High Level ( $V_{OTH}$ )   | $V_{SS}-1.5$ |          | $V_{SS}$     | V       |
| Logical Low Level ( $V_{OTL}$ )  | -18          |          | -10          | V       |
| <b>Outputs: (loaded 10k ohm to ground and 10k ohm to <math>V_{DD}</math>, <math>T_A = 25^\circ C</math>)</b> |              |          |              |         |
| Logical High Level ( $V_{OH}$ )  | -0.5         |          | -0.3         | V       |
| Logical Low Level ( $V_{OL}$ )   | $V_{DD}+0.3$ |          | $V_{DD}+0.5$ | V       |
| <b>Supply Currents: (No output loads, <math>T_A = 25^\circ C</math>)</b>                                     |              |          |              |         |
| Logic Supply ( $I_{GG}$ )  |              | 2.0      | 8.0          | mA      |
| Buffer Supply ( $I_{DD}$ )   |              |          | 20           | $\mu A$ |

typical application



Typical Organ Tone Generator

timing diagram





## MM5832, MM5833 chromatic frequency generator

### general description

The National Semiconductor MM5832, MM5833 chromatic frequency generator is an MOS/LSI frequency synthesizer designed to generate musical frequencies. The circuits provide thirteen semi-tone outputs, fully spanning the equal tempered octave. The divisors have been carefully selected to offer excellent tuning accuracy. Output characteristics are fully compatible with the MM5554, MM5823 and MM5824 Frequency Dividers. The MM5832 or MM5833 is packaged in a 14-lead dual-in-line package.

### features

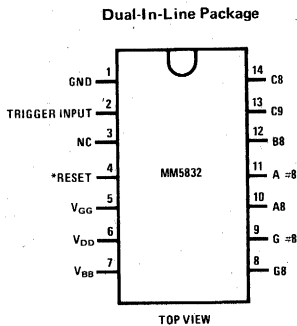
- Single-phase squarewave input

- 7 kHz to 2.1 MHz input frequency
- Maximum error of 1.16 cent

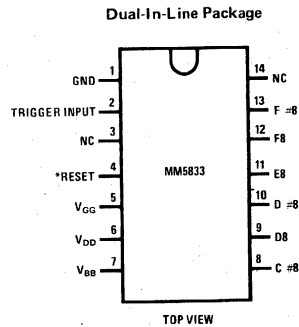
### applications

- Celeste tone generator
- Electronic music synthesizers
- Organ tone generators
- Chorus tone generators

### connection diagrams



\*Used only for testing. Pin 4 is normally grounded.





## absolute maximum ratings

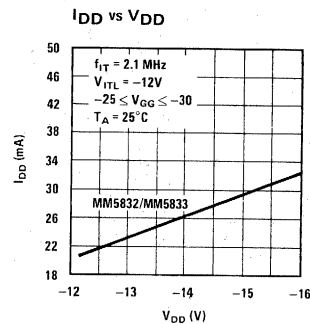
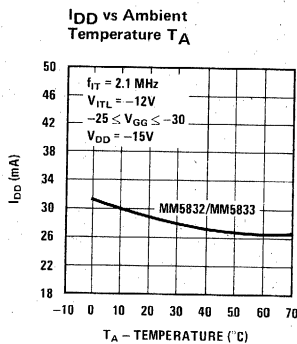
|                                      |                                   |
|--------------------------------------|-----------------------------------|
| Clock Generator Voltage ( $V_{GG}$ ) | $V_{SS} + 0.3V$ to $V_{SS} - 33V$ |
| Logic Supply Voltage ( $V_{DD}$ )    | $V_{SS} + 0.3V$ to $V_{SS} - 25V$ |
| Buffer Supply Voltage ( $V_{BB}$ )   | $V_{SS} + 0.3V$ to $V_{SS} - 18V$ |
| Trigger Input Voltage ( $V_{IT}$ )   | $V_{SS} + 0.3V$ to $V_{SS} - 18V$ |
| Power Dissipation ( $P_D$ )          | 800 mW                            |
| Storage Temperature ( $T_S$ )        | $-55^\circ C$ to $+100^\circ C$   |
| Operating Temperature ( $T_A$ )      | $0^\circ C$ to $+70^\circ C$      |

## electrical characteristics

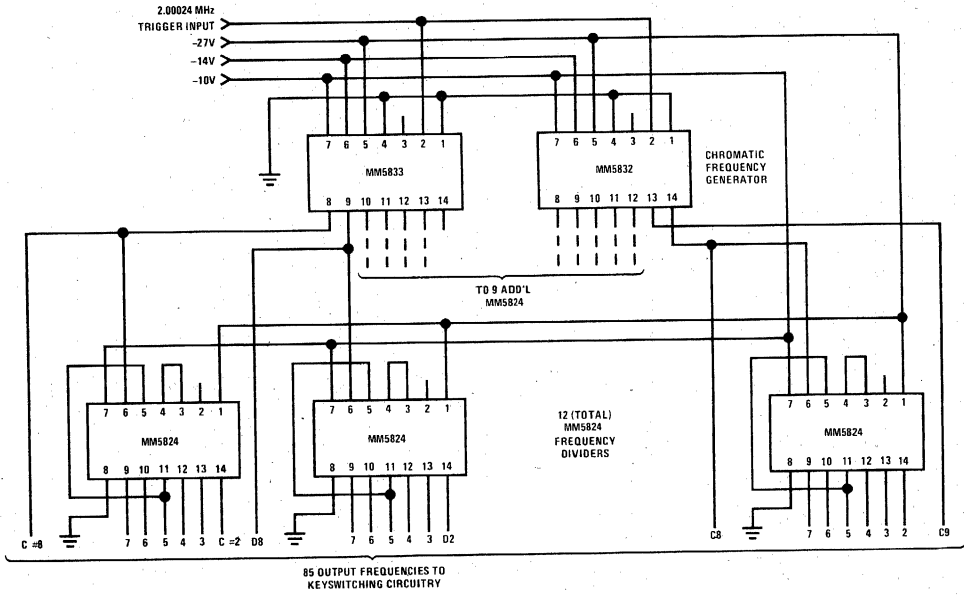
$T_A$  within operating range ( $V_{GG} = -27V \pm 2V$ ,  $V_{DD} = -14V \pm 1V$ ,  $V_{BB} = -10V \pm 0.5V$ ,  $V_{SS} = 0V$ ), unless otherwise noted.

| PARAMETER  | MIN      | TYP     | MAX  | UNITS              |
|--|----------|---------|------|--------------------|
| Trigger Input  |          |         |      |                    |
| Frequency ( $f_{IT}$ )   | 7.0      | 2000.24 | 2100 | kHz                |
| Capacitance ( $C_{IT}$ )   |          |         | 7.0  | pF/pkg             |
| Rise and Fall Times ( $t_r$ , $t_f$ )<br>(10% to 90% at 2.1 MHz)                                     |          |         | 30   | ns                 |
| Pulse Width (at $-5.0V$ ) (pw)   | 0.4T     |         | 0.6T | ( $T = 1/f_{IT}$ ) |
| Logical High Level ( $V_{ITH}$ )   | +0.3     | 0       | -2.0 | V                  |
| Logical Low Level ( $V_{ITL}$ )  | -16      |         | -8.0 | V                  |
| Leakage Current ( $I_{ITL}$ )  |          |         | 1.0  | $\mu A$            |
| Buffer Outputs: (loaded 20 k $\Omega$ to ground and 20 k $\Omega$ to $V_{BB}$ , $T_A = 25^\circ C$ ) |          |         |      |                    |
| Logical High Level ( $V_{OH}$ )  | -2.0     |         | 0    | V                  |
| Logical Low Level ( $V_{OL}$ )   | $V_{BB}$ |         | -8.0 | V                  |
| C8 Duty Cycle  |          | 50      |      | %                  |
| C #8 thru C9 Duty Cycle  |          | 30      |      | %                  |
| Supply Currents: (no output loads, $T_A = 25^\circ C$ )  |          |         |      |                    |
| Clock Generator Supply ( $I_{GG}$ )  | 1.5      |         | 3.5  | mA                 |
| Logic Supply ( $I_{DD}$ )  | 16       |         | 34   | mA                 |
| Buffer Supply ( $I_{BB}$ )   |          |         | 25   | $\mu A$            |

## typical performance characteristics



typical application



Typical Organ Tone Generator

output details (2.00024 MHz input)

MM5832

| NOTE | DIVISOR | OUTPUT FREQUENCY | E.T.S. FREQUENCY | CENT. ERROR |
|------|---------|------------------|------------------|-------------|
| C8   | 478     | 4184.61          | 4186.01          | -0.565      |
| C9   | 239     | 8369.21          | 8372.02          | -0.565      |
| B8   | 253     | 7906.09          | 7902.13          | 0.842       |
| A #8 | 268     | 7463.58          | 7458.62          | 1.119       |
| A8   | 284     | 7043.10          | 7040.00          | 0.740       |
| G #8 | 301     | 6645.32          | 6644.88          | 0.112       |
| G8   | 319     | 6270.34          | 6271.93          | -0.424      |

MM5833

| NOTE | DIVISOR | OUTPUT FREQUENCY | E.T.S. FREQUENCY | CENT. ERROR |
|------|---------|------------------|------------------|-------------|
| F #8 | 338     | 5917.87          | 5919.91          | -0.580      |
| F8   | 358     | 5587.26          | 5587.65          | -0.117      |
| E8   | 379     | 5277.68          | 5274.04          | 1.160       |
| D #8 | 402     | 4975.72          | 4978.03          | -0.780      |
| D8   | 426     | 4695.40          | 4698.64          | -1.159      |
| C #8 | 451     | 4435.12          | 4434.92          | 0.076       |



# Electronic Organ Circuits

## MM5837 digital noise source

### general description

The MM5837 digital noise source is an MOS/MSI pseudo-random sequence generator, designed to produce a broadband white noise signal for audio applications. Unlike traditional semiconductor junction noise sources, the MM5837 provides very uniform noise quality and output amplitude. The shift register starts at a random non-zero state when power is applied. The circuit is packaged in an 8-lead Epoxy-B mini-DIP.

### features

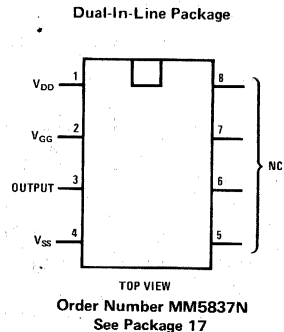
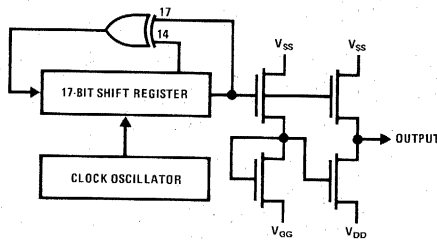
- Uniform noise quality

- Uniform noise amplitude
- Eliminates noise preamps
- Self-contained oscillator
- Single component insertion

### applications

- Electronic musical rhythm instrument sound generators
- Music synthesizer white and pink noise generators
- Room acoustics testing/equalization

### logic and connection diagrams



**absolute maximum ratings**

|  |                                   |
|--|-----------------------------------|
| Optional Gate Supply Voltage, $V_{GG}$   | $V_{SS} - 33V$ to $V_{SS} + 0.3V$ |
| Logic Supply Voltage, $V_{DD}$           | $V_{SS} - 25V$ to $V_{SS} + 0.3V$ |
| Storage Temperature, $T_S$               | $-55^{\circ}C$ to $+100^{\circ}C$ |
| Operating Temperature, $T_A$             | $0^{\circ}C$ to $+70^{\circ}C$    |
| Lead Temperature (Soldering, 10 seconds) | $300^{\circ}C$                    |

**electrical characteristics**

$T_A$  within operating range,  $V_{SS} = 0V$ ,  $V_{DD} = -14V \pm 1.0V$ ,  $V_{GG} = -27V \pm 2V$ , unless otherwise noted.

| PARAMETER  | CONDITIONS  | MIN            | TYP | MAX            | UNITS |
|--|---|----------------|-----|----------------|-------|
| Output (Loaded $20\text{ k}\Omega$ to $V_{SS}$<br>and $20\text{ k}\Omega$ to $V_{DD}$ )<br>Logical "1" Level<br>Logical "0" Level<br>Logical "0" Level | $T_A = 25^{\circ}C$<br><br>$V_{GG} = -14V \pm 1V$ | $V_{SS} - 1.5$ |     | $V_{SS}$       | V     |
|  |   | $V_{DD}$       |     | $V_{DD} + 1.5$ | V     |
|  |   | $V_{DD}$       |     | $V_{DD} + 3.5$ | V     |
| Supply Currents<br>$I_{DD}$<br>$I_{GG}$  | No Output Load                                    | 3              |     | 8              | mA    |
|  |   |                |     | 7              | mA    |
| Half Power Point   |   | 24             |     | 56             | kHz   |
| Cycle Time   |   | 1.1            |     | 2.4            | Sec   |



# Electronic Organ Circuits

## MM5871 rhythm pattern generator

### general description

The MM5871 rhythm pattern generator is an MOS/LSI circuit, fabricated with P-channel enhancement-mode and ion-implanted, depletion-mode devices. The PLA implementation is programmed to produce 6 rhythm patterns which may be combined in any manner and provide 5 instrument-trigger outputs. Trigger output pulse width is determined by an external RC network, (Figure 1). A similar network, including a potentiometer, determines tempo of the on-chip oscillator. This circuit is packaged in a 16-pin Epoxy-B DIP, (Figure 2). Figure 3 illustrates the standard pattern coding. Figure 4 is a programming worksheet for ordering custom patterns.

### features

- On-chip tempo oscillator
- Variable output pulse width
- 6 rhythm patterns

- 5 trigger outputs
- Flexible supply voltages
- Low power dissipation

### standard patterns

- Waltz (3/4)
- Swing (3/4)
- Country/Western (3/4)
- March (4/4)
- Latin (4/4)
- Rock (4/4)

### applications

- Electronic organs
- Portable rhythm boxes

### block and connection diagrams

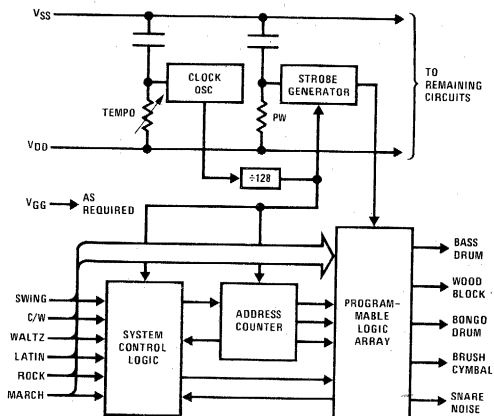


FIGURE 1.

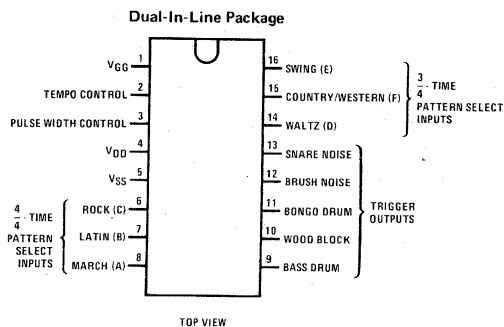


FIGURE 2.

Order Number MM5871N  
See Package 19

## absolute maximum ratings

|  |                 | MIN | MAX | UNITS |
|--|-----------------|-----|-----|-------|
| Supply Voltages                          | V <sub>GG</sub> | -33 | 0.3 | V     |
|  | V <sub>DD</sub> | -22 | 0.3 | V     |
| Input Voltage                            |                 | -18 | 0.3 | V     |
| Storage Temperature                      | T <sub>S</sub>  | -55 | 100 | °C    |
| Operating Temperature                    | T <sub>A</sub>  | 0   | 70  | °C    |
| Lead Temperature (Soldering, 10 seconds) |                 |     | 300 | °C    |

## electrical characteristics

T<sub>A</sub> within operating range, V<sub>SS</sub> = 0V, V<sub>DD</sub> = -14V ±2V, V<sub>GG</sub> = -27V ±2V, unless otherwise noted.

| PARAMETER                 | CONDITIONS                                   | MIN                   | TYP             | MAX                   | UNITS |
|---------------------------|--|-----------------------|-----------------|-----------------------|-------|
| Tempo Control Input       | C to V <sub>SS</sub> = 0.0056 μF             |                       |                 |                       |       |
| Minimum Tempo             | R to V <sub>DD</sub> = 1.1 MΩ                | ≤2.7                  |                 |                       | bps   |
| Maximum Tempo             | R to V <sub>DD</sub> = 120 kΩ (Note 1)       |                       |                 | ≥27                   | bps   |
| Pulse Width Control Input | C to V <sub>SS</sub> = 0.0056 μF             |                       |                 |                       |       |
|                           | R to V <sub>DD</sub> = 100 kΩ, (Note 1)      | 2                     | 3               | 4                     | ms    |
| Select Inputs             |  |                       |                 |                       |       |
| Logic High Level          | (Active Level)                               | V <sub>SS</sub> -0.75 | V <sub>SS</sub> | V <sub>SS</sub> +0.3  | V     |
| Input Current             | V <sub>IH</sub> = V <sub>SS</sub>            |                       |                 | 0.2                   | mA    |
| Logic Low Level           |  | V <sub>DD</sub>       | V <sub>DD</sub> | V <sub>DD</sub> +0.75 | V     |
| Trigger Outputs           |  |                       |                 |                       |       |
| Logic High Level          | (Active Level) (w/20k to V <sub>DD</sub> )   | V <sub>SS</sub> -0.37 |                 | V <sub>SS</sub> +0.3  | V     |
| Leakage Current           | V <sub>OL</sub> = V <sub>DD</sub> . (Note 2) |                       |                 | -10                   | μA    |
| Supply Currents           | (No Output Loads)                            |                       |                 |                       |       |
|                           | I <sub>DD</sub>                              |                       |                 | 20                    | mA    |
|                           | I <sub>GG</sub>                              |                       |                 | 5                     | mA    |

**Note 1:** Both the Tempo Control and Pulse Width Control inputs utilize external RC networks to determine tempo and strobe pulse width. Additionally, these parameters are affected by the V<sub>SS</sub> - V<sub>DD</sub> voltage. Therefore, for these tests the RC values apply to V<sub>SS</sub> - V<sub>DD</sub> = -14 ±0.5 volts.

**Note 2:** All trigger outputs are open-drain transistors. The active output level is therefore high, and the off condition is high impedance as indicated by the specified leakage current.





# Electronic Organ Circuits

MM5891

## MM5891 MOS top octave frequency generator

### general description

The MM5891 top octave frequency generator is an MOS/LSI frequency synthesizer designed to generate musical frequencies. The circuit provides 13 semitone outputs, which encompass the equal tempered octave. The divisor set approximates the  $12\sqrt{2}$  semitone interval to an accuracy of  $\pm 1.16$  cent.

Low threshold voltage enhancement-mode and depletion-mode devices are utilized; the MM5891 therefore operates from a single, wide range power supply. Power dissipation is less than 600 mW. The circuit is packaged in the 16-pin Epoxy B dual-in-line package.

Potential RFI emission of the input clock is minimized by positioning the clock input between the  $V_{SS}$  and

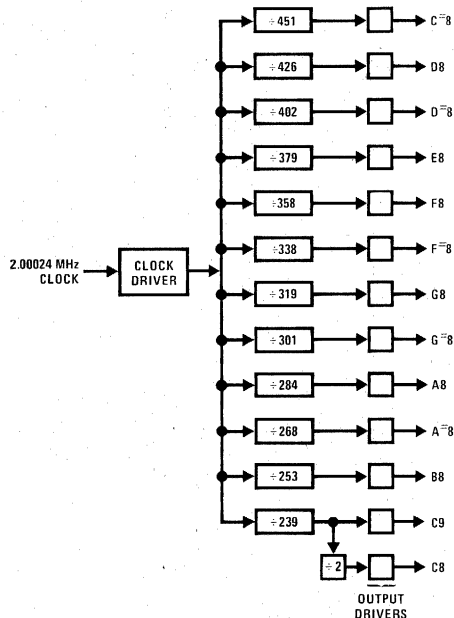
$V_{DD}$  pins. Chip layout also isolates the clock and output buffer areas. Additionally, the outputs are slew-limited to reduce RF spectral content of the output signals.

### features

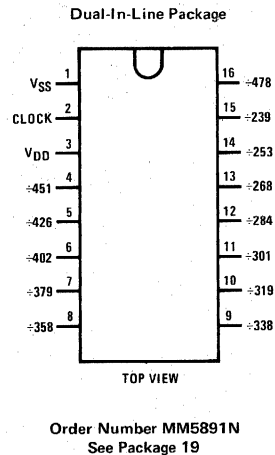
- Single power supply
- Broad supply voltage operating range
- Low power dissipation
- High output drive capability
  - MM5891AA—50% output duty cycle
  - MM5891AB—30% output duty cycle

3

### block diagram



### connection diagram





## absolute maximum ratings

|   |                 |
|---|-----------------|
| Voltage on Any Pin Relative to $V_{SS}$ | +0.3V to -20V   |
| Operating Temperature (Ambient)         | 0°C to +50°C    |
| Storage Temperature (Ambient)           | -40°C to +100°C |

## recommended operating conditions

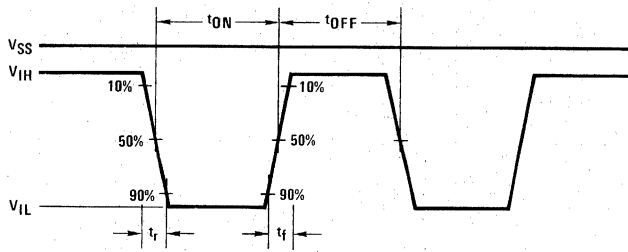
(0°C ≤  $T_A$  ≤ 50°C)

|                             | MIN   | MAX   | UNITS |
|-----------------------------|-------|-------|-------|
| Supply Voltage ( $V_{SS}$ ) | 0     | 0     | V     |
| Supply Voltage ( $V_{DD}$ ) | -11.0 | -16.0 | V     |

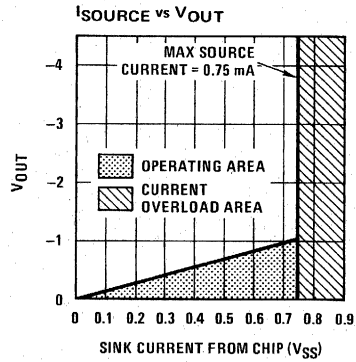
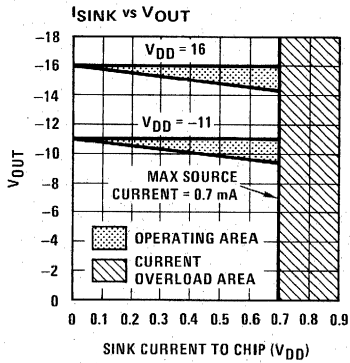
electrical characteristics 0°C ≤  $T_A$  ≤ 50°C;  $V_{SS} = 0$ ,  $V_{DD} = -11$  to  $-16$ V unless otherwise specified

| PARAMETER         |  | MIN          | TYP      | MAX      | UNITS |
|-------------------|--|--------------|----------|----------|-------|
| $V_{IH}$          | Input Clock, High                                      | 0            |          | -1.0     | V     |
| $V_{IL}$          | Input Clock, Low                                       | $V_{DD}+1.0$ |          | $V_{DD}$ | V     |
| $f_I$             | Input Clock Frequency                                  | 100          | 2000.240 | 2500     | kHz   |
| $t_r, t_f$        | Input Clock Rise and Fall Times, 10% to 90% at 2.5 MHz |              |          | 30       | ns    |
| $t_{ON}, t_{OFF}$ | Input Clock "ON" and "OFF" Times at 2.5 MHz            |              | 200      |          | ns    |
| $C_I$             | Input Capacitance                                      |              | 5        | 10       | pF    |
| $V_{OL}$          | Output, Low at 0.70 mA                                 | $V_{DD}+1.5$ |          | $V_{DD}$ | V     |
| $V_{OH}$          | Output, High at 0.75 mA                                | $V_{SS}-1.0$ |          | $V_{SS}$ | V     |
| $t_{ro}, t_{fo}$  | Output Rise and Fall Times, 500 pF Load                | 250          |          | 2500     | ns    |
| $t_{ON}$          | Output Duty Cycle                                      |              |          |          | %     |
|                   | MM5891AA   |              | 50       |          | %     |
|                   | MM5891AB— (Pin 16, 50%)                                |              | 30       |          | %     |
| $I_{DD}$          | Supply Current   |              | 24       | 37       | mA    |

switching time waveform



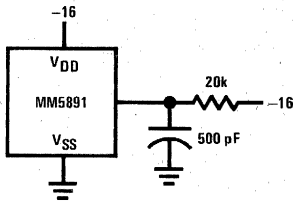
typical performance characteristics



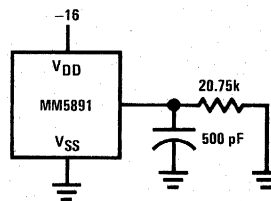
3

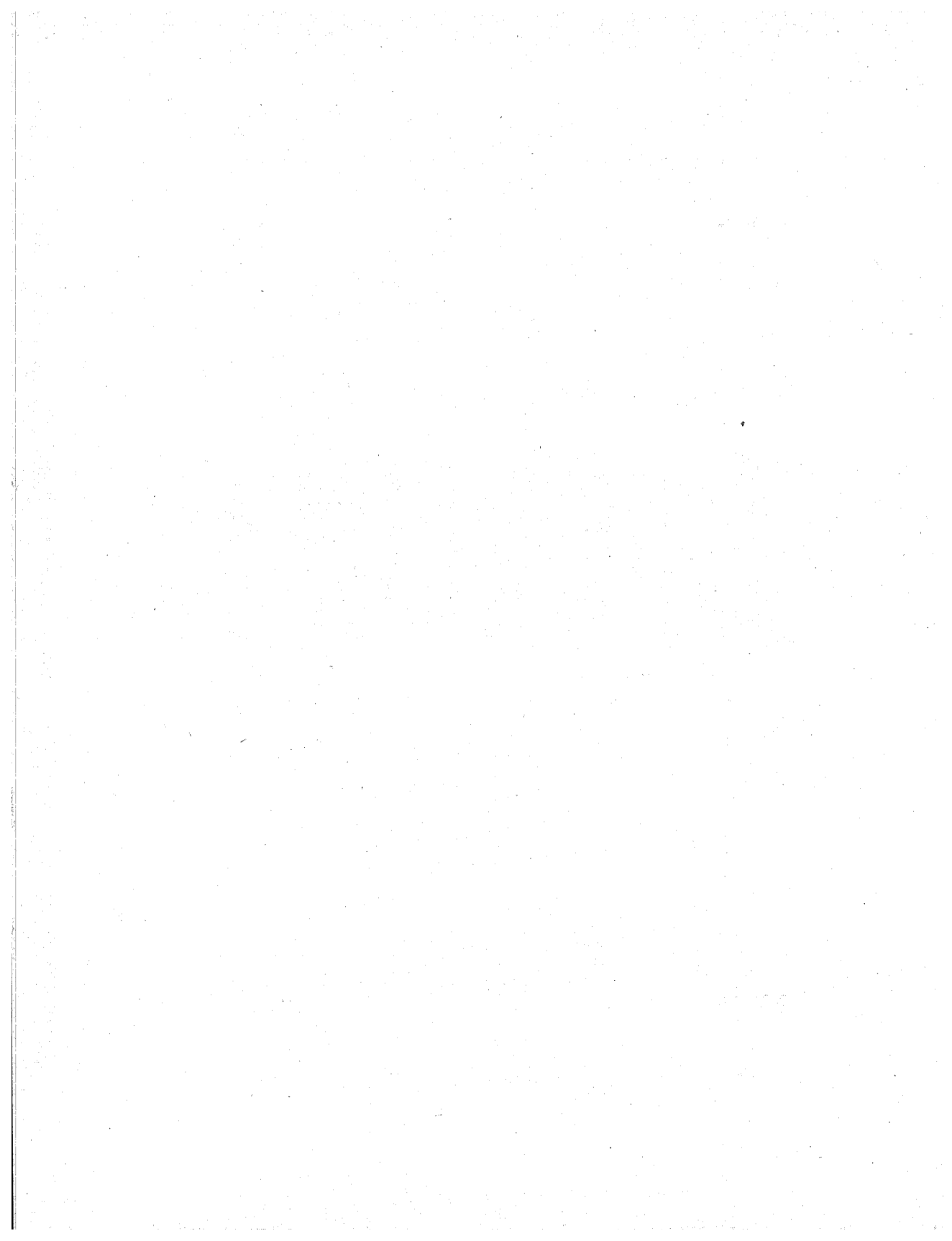
output loading

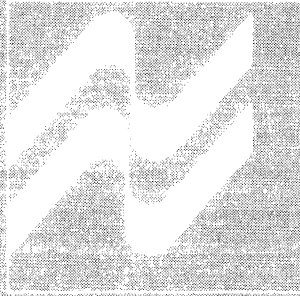
Output Loading  $t_{fo}$  Test



Output Loading  $t_{ro}$  Test







**SECTION 4**  
**TV CIRCUITS**



## MM5318 TV digital clock

### general description

The MM5318 digital clock is a monolithic MOS integrated circuit utilizing P-channel low-threshold, enhancement mode devices. The circuit contains all the logic required to give a 4 or 6-digit, 12 or 24-hour display from a 50 or 60 Hz input. The digit select inputs enable an external digital system to select which digit will be available at the BCD and 7-segment outputs. An example of this is a television receiver. By using the MM5318 with a MM5841 in a television receiver, the time of day can be displayed with the TV channel selected on the TV screen. The MM5841 determines what digit it requires from the MM5318, where on the screen it will be displayed and presents the information to the TV receiver. The MM5318 is packaged in a 28-lead dual-in-line package.

### features

- 12 or 24 hour operation
- 50 or 60 Hz input
- 4 or 6-digit display
- BCD outputs
- Digit select inputs
- Leading zero blanking in 12-hour mode
- High output currents for simplified display interfacing
- Single power supply

### applications

- TV time display
- Computer real time clock

### block and connection diagrams

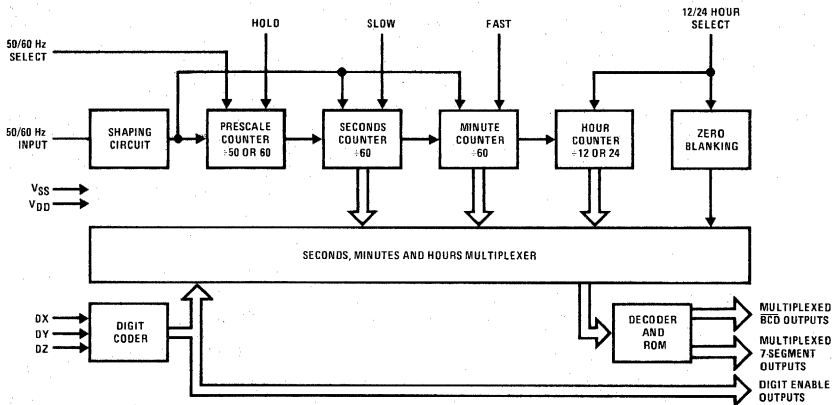


FIGURE 1. Block Diagram

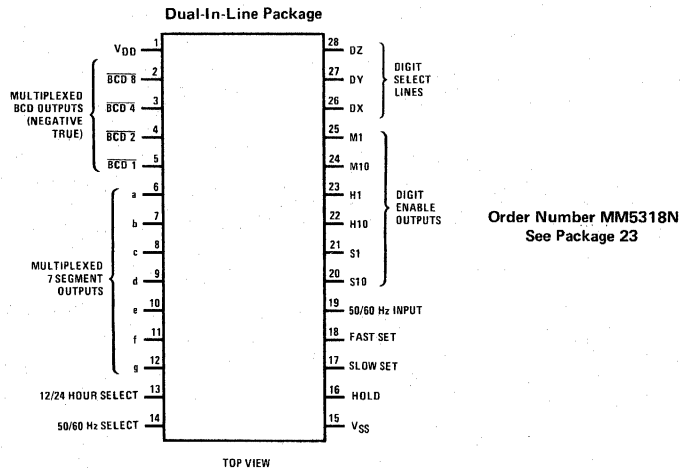


FIGURE 2. Connection Diagram

**absolute maximum ratings**

|  |                                   |
|--|-----------------------------------|
| Voltage at Any Pin                       | $V_{SS} + 0.3V$ to $V_{SS} - 20V$ |
| Operating Temperature                    | $0^{\circ}C$ to $+70^{\circ}C$    |
| Storage Temperature                      | $-65^{\circ}C$ to $+150^{\circ}C$ |
| Lead Temperature (Soldering, 10 seconds) | $300^{\circ}C$                    |

**electrical characteristics**  $T_A$  within operating range,  $V_{DD} = 0V$ ,  $V_{SS} = 14V \pm 10\%$ , unless otherwise specified.

| PARAMETER                | CONDITIONS   | MIN          | TYP      | MAX      | UNITS      |
|--------------------------|--|--------------|----------|----------|------------|
| Power Supply Current     | $V_{SS} = 14V$ (No External Output Loads<br>All $\overline{BCD}$ Outputs at Logical "1") | 4            |          | 30       | mA         |
| 50/60 Hz Input Frequency |  | dc           | 50 or 60 | 60k      | Hz         |
| 50/60 Hz Input Voltage   |  |              |          |          |            |
| Logic "1"                |  | $V_{SS}-2$   | $V_{SS}$ | $V_{SS}$ | V          |
| Logic "0"                |  | -2           | $V_{DD}$ | 4        | V          |
| Digit Select Input Delay |  | 400          |          | 2000     | ns         |
| All Logic Inputs         | Internal 20k, Resistor to $V_{SS}$<br>(Except Digit Select Inputs)                       |              |          |          |            |
| Logic "1"                |  | $V_{SS}-1$   | $V_{SS}$ | $V_{SS}$ | V          |
| Logic "0"                |  | -2           | $V_{DD}$ | 4        | V          |
| $\overline{BCD}$ Outputs |  |              |          |          |            |
| Logic "1"                | Output Voltage at $V_{SS} - 2$   | 2            |          | 10       | mA source  |
| Logic "0"                | 0.01 mA Sink   | $V_{DD}$     |          | 0.3      | V          |
| 7-Segment Outputs        | Output Voltage at $V_{SS} - 2$   |              |          |          |            |
| Logic "1"                |  | 2            |          | 20       | mA source  |
| Logic "0"                |  |              |          | 0.01     | mA leakage |
| Digit Enable Outputs     |  |              |          |          |            |
| Logic "1"                | 0.1 mA Source  | $V_{SS}-0.3$ |          | $V_{SS}$ | V          |
| Logic "0"                | Output Voltage at $V_{SS} - 2$   | 5            |          | 15       | mA sink    |

**functional description**

A block diagram of the MM5318 digital clock is shown in *Figure 1*. A connection diagram is shown in *Figure 2*. Unless otherwise indicated, the following discussions are based on *Figure 1*.

**50 or 60 Hz Drive:** This input is applied to a Schmitt Trigger shaping circuit which provides approximately 5V of hysteresis and allows using a filtered sinewave input. A simple RC filter such as shown in *Figure 6* should be used to remove possible line voltage transients that could either cause the clock to gain time or damage the device. The shaper output drives a counter chain which performs the timekeeping function.

**50 or 60 Hz Select Input:** This input programs the prescale counter to divide by either 50 or 60 to obtain a 1 Hz timebase. The counter is programmed for 60 Hz operation by connecting this input to  $V_{DD}$ . An internal 20k pull-up resistor is common to this pin; simply leaving this input unconnected programs the clock for 50 Hz operation.

**Time Setting Inputs:** Both fast and slow setting inputs, as well as a hold input, are provided. Internal 20 k $\Omega$  pull-up resistors provide the normal timekeeping function.

Switching any of these inputs (one at a time) to  $V_{DD}$  results in the desired time setting function. Fast set advances hours information at one hour per second and slow set advances minutes information at one minute per second. The Hold Input stops the clock to the prescale counter.

**12 or 24 Hour Select Input:** This input is used to program the hours counter to divide by either 12 or 24, thereby providing the desired display format. The 12-hour display format is selected by connecting this input to  $V_{DD}$ ; leaving the input unconnected (internal 20 k $\Omega$  pull-up) selects the 24-hour format.

**Digital Select Inputs (DX, DY, DZ):** These three inputs are used to determine what digit will be displayed, Table 1 shows the code for each digit. A logic "1" is when the pin is held to  $V_{SS}$ . When the pin is tied to  $V_{DD}$ , a logic "0" results.

**Output Circuits:** *Figure 3* illustrates the circuit used for the  $\overline{BCD}$  outputs. *Figure 4* shows the circuit used for the 7-segment outputs. The digit enables output circuit is shown in *Figure 5*. *Figures 6 and 7* illustrate typical applications for the MM5318.

functional description (Continued)

TABLE I. Digit Select Code

| DIGIT SELECT LINES | DIGIT DISPLAYED |     |   |    |     |   |        |
|--------------------|-----------------|-----|---|----|-----|---|--------|
|                    | S1              | S10 | * | M1 | M10 | * | H1 H10 |
| DX                 | 1               | 0   | 0 | 1  | 1   | 0 | 0 1    |
| DY                 | 1               | 1   | 0 | 0  | 0   | 0 | 1 1    |
| DZ                 | 0               | 0   | 0 | 0  | 1   | 1 | 1 1    |

\*Output blanked

output circuits

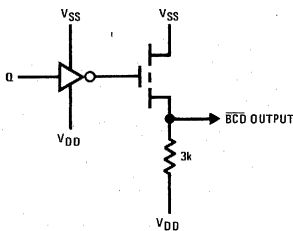


FIGURE 3. BCD Output Circuit

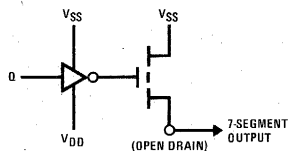


FIGURE 4. 7-Segment Output Circuit

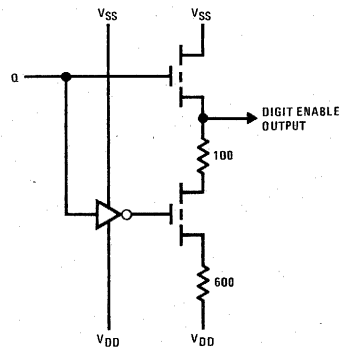


FIGURE 5. Digit Enable Output Circuit

typical applications

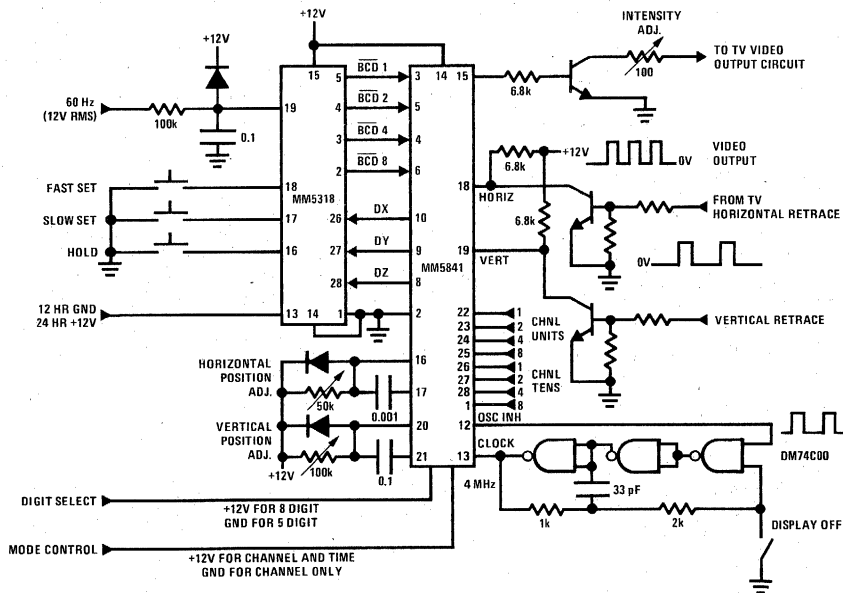


FIGURE 6. TV Channel and Time Display

typical applications (Continued)

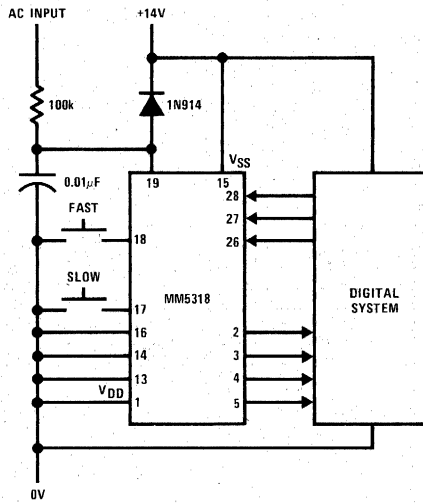


FIGURE 7. Typical Application





## MM5320 TV camera sync generator

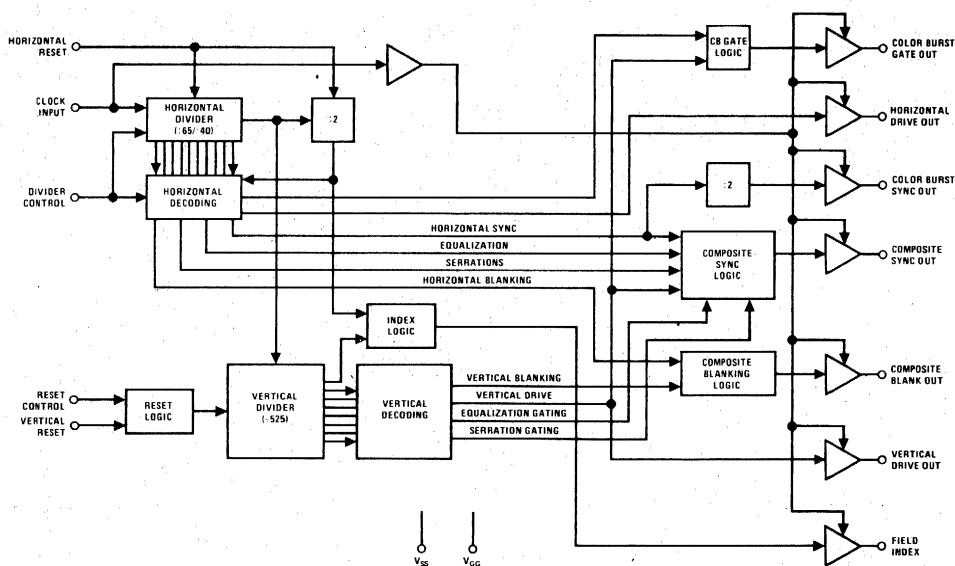
### general description

The MM5320 TV camera sync generator is an MOS, P-channel enhancement mode, LSI chip designed to supply the basic sync functions for either color or monochrome 525 line/60 Hz interlaced camera and video recorder applications. Required power supplies are +5V and -12V, or any other combination resulting in  $V_{SS} - 17V$ . All inputs and outputs are TTL compatible without the use of external components.

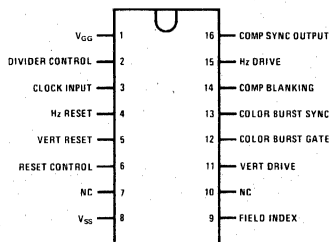
### features

- Multi-function gen lock input provides flexible control of multiple camera installations
- 16 lead dual-in-line package
- Conventional +5V, -12V power supplies
- Uses 2.04545 MHz or 1.260 MHz input reference
- Field indexing provided for VTR applications
- Color burst gate and sync allow stable color operation

### logic and connection diagrams



Dual-In-Line Package



TOP VIEW

Order Number MM5320N  
See Package 19

**absolute maximum ratings**

|  |   |
|--|---|
| Voltage at Any Pin                       | $V_{SS} + 0.3$ to $V_{SS} - 22$                 |
| Operating Temperature                    | $0^{\circ}\text{C}$ to $+70^{\circ}\text{C}$    |
| Storage Temperature                      | $-65^{\circ}\text{C}$ to $+150^{\circ}\text{C}$ |
| Lead Temperature (Soldering, 10 seconds) | $300^{\circ}\text{C}$                           |

**dc electrical characteristics**

$T_A$  within operating temperature range  $V_{SS} = +5.0\text{V} \pm 5\%$ ,  $V_{GG} = -12\text{V} \pm 5\%$ , unless otherwise stated.

| PARAMETER   | CONDITIONS   | MIN             | TYP           | MAX            | UNITS         |
|---|--|-----------------|---------------|----------------|---------------|
| <b>Input Levels</b>                               |  |                 |               |                |               |
| Logical High Level ( $V_{IH}$ )                   |  | $V_{SS} - 1.5$  |               | $V_{SS} + 0.3$ | V             |
| Logical Low Level ( $V_{IL}$ )                    |  | $V_{SS} - 18$   |               | $V_{SS} - 4.2$ | V             |
| <b>Input Leakage</b>                              | $V_{IN} = -10\text{V}$ , $T_A = 25^{\circ}\text{C}$ ,<br>All Other Pins GND  |                 | 0.01          | 0.5            | $\mu\text{A}$ |
| <b>Input Capacitance</b>                          | $V_{IN} = 0\text{V}$ , $f = 1.0\text{ MHz}$ ,<br>All Other Pins GND (Note 1)   |                 | 3.5           | 6.0            | pF            |
| <b>Clock Input Leakage</b>                        | $V_{IN} = -10\text{V}$ , $T_A = 25^{\circ}\text{C}$ ,<br>All Other Pins GND  |                 |               | 0.5            | $\mu\text{A}$ |
| <b>Clock Input Capacitance</b>                    | $V_{IN} = 0\text{V}$ , $f = 1.0\text{ MHz}$ ,<br>All Other Pins GND (Note 1)   |                 | 3.5           | 6.0            | pF            |
| <b>Output Levels</b>                              |  |                 |               |                |               |
| Logical High Level ( $V_{OH}$ )                   | $I_{SOURCE} = -0.5\text{ mA}$  | 2.4             |               | $V_{SS}$       | V             |
| Logical Low Level ( $V_{OL}$ )                    | $I_{SINK} = 1.6\text{ mA}$   |                 |               | 0.4            | V             |
| Logical Low Level ( $V_{OL}$ )                    | MOS Load   | $V_{SS} - 12.5$ | $V_{SS} - 11$ | $V_{SS} - 9.0$ | V             |
| <b>Power Supply Current (<math>I_{GG}</math>)</b> | $T_A = +25^{\circ}\text{C}$ , $V_{GG} = -12\text{V}$<br>$\phi_{PW} = 235\text{ ns}$ , $V_{SS} = +5.0\text{V}$<br>Input Clock Frequency = 2.04545 MHz |                 | 24            | 36             | mA            |

4

**ac electrical characteristics**

$T_A$  within operating temperature range  $V_{SS} = +5.0\text{V} \pm 5\%$ ,  $V_{GG} = -12\text{V} \pm 5\%$ , unless otherwise stated.

| PARAMETER   | CONDITIONS  | MIN | TYP | MAX | UNITS |
|---|---|-----|-----|-----|-------|
| <b>Input Clock Pulse Width (<math>\phi_{PW}</math>)</b> | Input Clock Frequency = 2.04545 MHz<br>$\phi_{tr}$ , $\phi_{tf} = 20\text{ ns}$                           | 190 | 235 | 280 |       |
| <b>Input Clock Pulse Width (<math>\phi_{PW}</math>)</b> | Input Clock Frequency = 1.26 MHz<br>$\phi_{tr}$ , $\phi_{tf} = 20\text{ ns}$ (Note 3)                     | 520 | 545 | 570 |       |
| <b>Horizontal Reset Pulse Width</b>                     | Within 400 ns after the Falling Edge of<br>Master Clock (Figure 5)<br>Rise and Fall Time = 20 ns          | 500 | 600 | 800 | ns    |
| <b>Output Propagation Delay (<math>t_{pd}</math>)</b>   |   |     |     |     |       |
| Logical-High Level ( $V_{OH}$ )                         | Capacitance at the Output = 15 pF<br>(Figure 5)   |     | 500 | 750 | ns    |
| Logical Low Level ( $V_{OL}$ )                          |   |     | 500 | 750 | ns    |
| <b>Field Index Pulse Width</b>                          | Within 400 ns after the Falling Edge of<br>Master Clock (Figure 5) (Note 2)<br>Rise and Fall Time = 20 ns | 500 | 600 | 700 | ns    |

**Note 1:** Capacitance is guaranteed by periodic testing.

**Note 2:** Field index output available only for master clock of 1.26 MHz.

**Note 3:** If field index is not required the clock pulse width is  $300\text{ ns} \leq \phi_{PW} \leq 570\text{ ns}$

## functional description

### EXTERNAL CONTROL LEVELS

*Horizontal Reset* occurs for Logic "0," this resets the horizontal counter to a state shown in Figures 2 and 3.

*Vertical Reset* occurs for Logic "0," this resets the vertical counter to a state determined by reset control input as shown below:

| RESET CONTROL INPUT     | PERMITS THE VERTICAL COUNTER TO RESET TO THE: |
|-------------------------|---|
| $V_{IH}$ , ( $V_{SS}$ ) | 0 th count                                    |
| $V_{IL}$ , ( $V_{GG}$ ) | 11 th count                                   |

Logic "0" =  $V_{IL}$

Logic "1" =  $V_{IH}$

Divide select input =  $V_{IL}$ , ( $V_{GG}$ ) for master clock frequency of 1.26 MHz.

Divide select input =  $V_{IH}$ , ( $V_{SS}$ ) for master clock frequency of 2.04545 MHz.

### INPUTS

The user may select either of two input clock frequencies by properly programming the Divider Control pin. In one case the input frequency is 2.04545 MHz; which is 14.318180 MHz divided by seven. The other is eighty times the horizontal frequency, or 1.260 MHz. The divider control will be programmed by connecting it to  $V_{IH}$  ( $V_{SS}$ ) and  $V_{IL}$ , ( $V_{GG}$ ) respectively.

There are separate *Vertical* and *Horizontal Reset* inputs which allow directly resetting the appropriate divider(s) by a control pulse generated by external means. Both horizontal and vertical dividers may be reset simultaneously by connecting the *Vertical* and *Horizontal Reset* pins together and driving them with the same reset signal. Actual resetting of the vertical divider is to either of two states, depending upon the state of the *Reset Control* input; to zero, or to the fifth vertical

serration pulse (eleven 0.5H time intervals from leading edge of *Vertical Blanking*). Refer to the reset table above. The horizontal divider will always be reset to a position which is 8 input clock pulses from the leading edge of the serration gate in the horizontal timing scheme (Figure 2 and 3). The generator is reset to the odd field (field one). The *Field Index* output pulse occurs once each odd field at the leading edge of *Vertical Blanking*. It can be used to reset, or "gen-lock," similar sync generator chips by connecting it to their *Vertical* and *Horizontal Reset* inputs.

### OUTPUTS

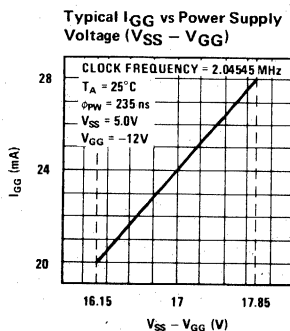
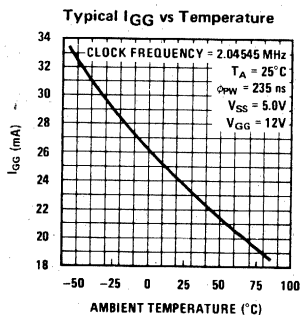
The generator supplies the following standard output functions: *Horizontal Drive Out*, *Vertical Drive Out*, *Composite Blanking Out*, *Composite Sync Out* and the *Color Burst Gate*.

In addition, *Field Index* and *Color Burst Sync* outputs are provided. The *Field Index* identifies the odd field, or field one, by occurring for two clock periods at the leading edge of *Vertical Blanking* in that field. Thus, its rate is 30 Hz. As described above, it can also be used to "gen-lock" other sync generator chips.

The *Color Burst Sync* output signal occurs at half the horizontal rate with the same timing as the *Color Burst Gate* output. It may be used to sync the color burst as it will have the same delay characteristics as the other outputs (including, of course, the *Color Burst Gate*) — the color burst sync is present during the vertical interval.

Differences in phasing between outputs are minimized by the use of identical push-pull output buffers clocked by the internal clock.

## typical performance characteristics



# switching time waveforms

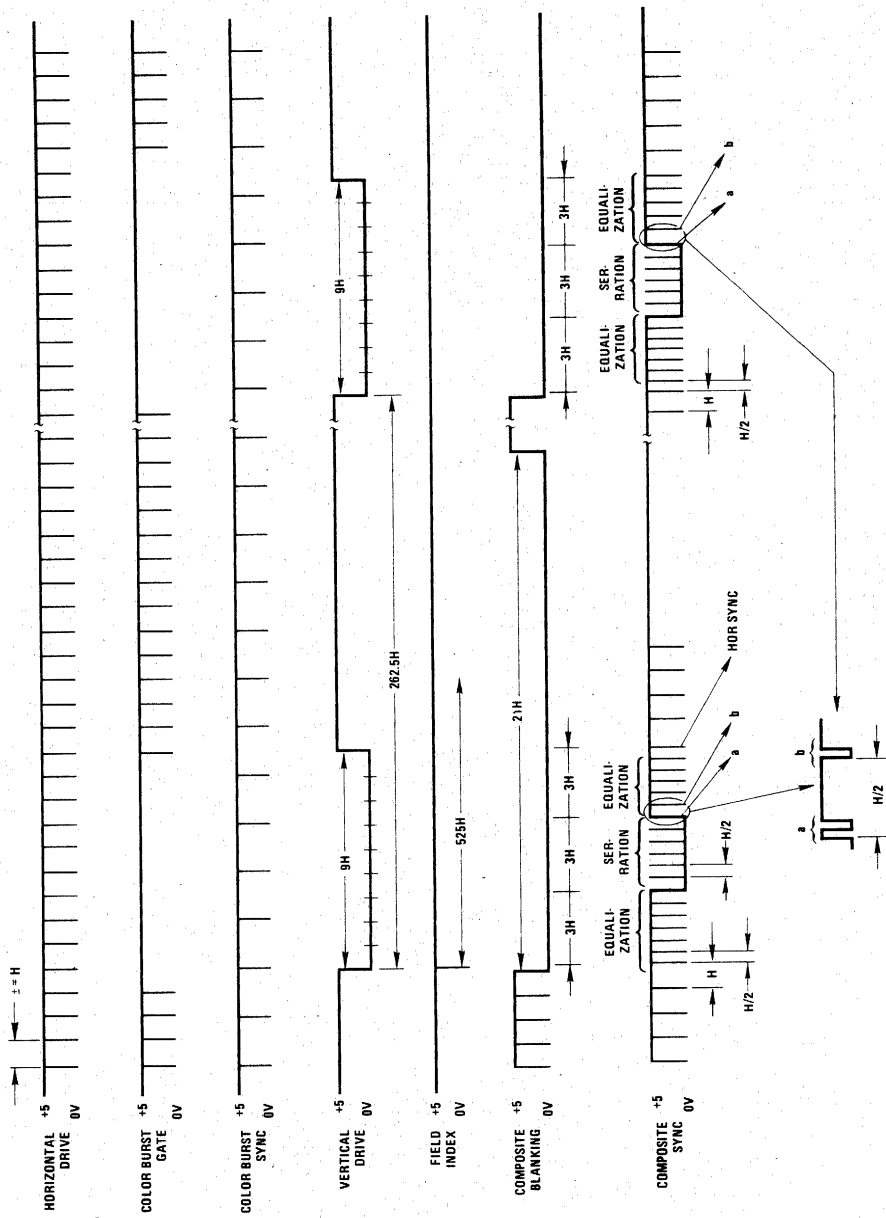


FIGURE 1.



switching time waveforms (con't)

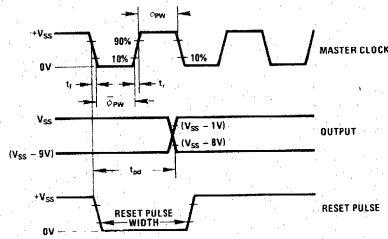
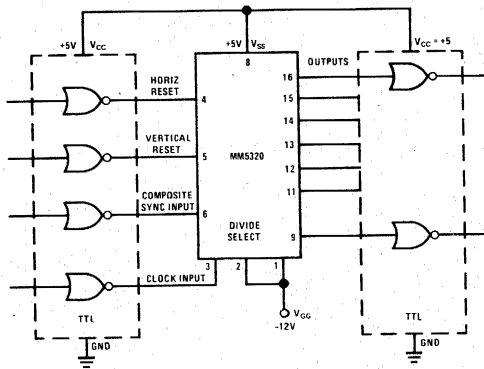


FIGURE 5.

typical application



TTL Interface



## MM5321 TV camera sync generator

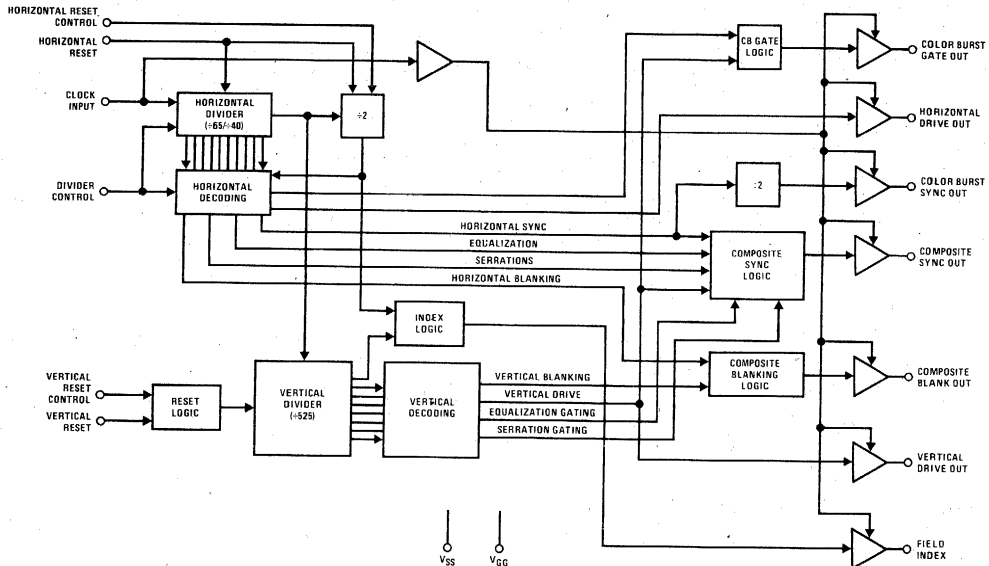
### general description

The MM5321 TV camera sync generator is a MOS, P-channel enhancement mode, LSI chip designed to supply the basic sync functions for either color or monochrome 525 line/60 Hz interlaced camera and video recorder applications. Required power supplies are +5V and -12V, or any other combination resulting in  $V_{SS} - 17V$ . All inputs and outputs are TTL compatible without the use of external components. Military and commercial temperature ranges are available.

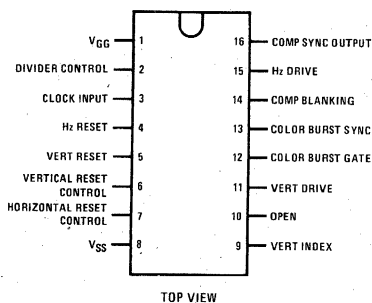
### features

- Multi-function gen lock input provides flexible control of multiple camera installations
- 16-lead dual-in-line package
- Conventional +5V, -12V power supplies
- Uses 2.04545 MHz or 1.260 MHz input reference
- Field indexing provided for VTR applications
- Color burst gate and sync allow stable color operation

### logic and connection diagrams



#### Dual-In-Line Package



TOP VIEW

Order Number MM5321N  
See Package 19

**absolute maximum ratings**

|  |   |
|--|---|
| Voltage at Any Pin                       | $V_{SS} + 0.3$ to $V_{SS} - 22$                 |
| Operating Temperature                    | $0^{\circ}\text{C}$ to $+70^{\circ}\text{C}$    |
| Storage Temperature                      | $-65^{\circ}\text{C}$ to $+150^{\circ}\text{C}$ |
| Lead Temperature (Soldering, 10 seconds) | $300^{\circ}\text{C}$                           |

**dc electrical characteristics**

$T_A$  within operating temperature range  $V_{SS} = 5V \pm 5\%$ ,  $V_{GG} = -12V \pm 5\%$ , unless otherwise stated.

| PARAMETER |                         | CONDITIONS  | MIN           | MAX               | UNITS         |
|-----------|-------------------------|---|---------------|-------------------|---------------|
| $V_{IH}$  | Input Levels            |   |               |                   |               |
|           | Logical High Level      |   | $V_{SS}-1.5$  | $V_{SS}+0.3$      | V             |
| $V_{IL}$  | Logical Low Level       |   | $V_{SS}-18$   | $V_{SS}-4.2$      | V             |
|           | Input Leakage           | $V_{IN} = -10V$ , $T_A = 25^{\circ}\text{C}$ ,<br>All Other Pins GND  |               | 0.5               | $\mu\text{A}$ |
|           | Input Capacitance       | $V_{IN} = 0V$ , $f = 1\text{ MHz}$ ,<br>All Other Pins GND, (Note 1)  |               | 6                 | pF            |
|           | Clock Input Leakage     | $V_{IN} = -10V$ , $T_A = 25^{\circ}\text{C}$ ,<br>All Other Pins GND  |               | 0.5               | $\mu\text{A}$ |
|           | Clock Input Capacitance | $V_{IN} = 0V$ , $f = 1\text{ MHz}$ ,<br>All Other Pins GND, (Note 1)  |               | 6                 | pF            |
| $V_{OH}$  | Output Levels           |   |               |                   |               |
|           | Logical High Level      | $I_{SOURCE} = -0.5\text{ mA}$   | 2.4           | $V_{SS}$          | V             |
| $V_{OL}$  | Logical Low Level       | $I_{SINK} = 1.6\text{ mA}$<br>MOS Load  | $V_{SS}-12.5$ | 0.4<br>$V_{SS}-9$ | V<br>V        |
| $I_{GG}$  | Power Supply Current    | $T_A = 25^{\circ}\text{C}$ , $V_{GG} = -12V$ ,<br>$\phi_{PW} = 235\text{ ns}$ , $V_{SS} = 5V$ ,<br>Input Clock Frequency =<br>2.04545 MHz |               | 36                | mA            |

4

**ac electrical characteristics**

$T_A$  within operating temperature range  $V_{SS} = 5V \pm 5\%$ ,  $V_{GG} = -12V \pm 5\%$ , unless otherwise stated.

| PARAMETER   |                              | CONDITIONS  | MIN | MAX | UNITS |
|-------------|------------------------------|---|-----|-----|-------|
| $\phi_{PW}$ | Input Clock Pulse Width      | Input Clock Frequency =<br>2.04545 MHz, $\phi_{tr}$ , $\phi_{tf} = 20\text{ ns}$                  | 190 | 280 | ns    |
|             |                              | Input Clock Frequency = 1.26 MHz,<br>$\phi_{tr} = \phi_{tf} = 20\text{ ns}$                       | 300 | 570 | ns    |
|             | Horizontal Reset Pulse Width | Within 400 ns after the Falling Edge<br>of Master Clock, (Figure 5)<br>Rise and Fall Time = 20 ns | 500 | 800 | ns    |
| $t_{pd}$    | Output Propagation Delay     |   |     |     |       |
| $V_{OH}$    | Logical High Level           | Capacitance at the Output = 15 pF<br>(Figure 5)   |     | 750 | ns    |
| $V_{OL}$    | Logical Low Level            |   |     | 750 | ns    |

**Note 1:** Capacitance is guaranteed by periodic testing.



## functional description

### EXTERNAL CONTROL LEVELS

Horizontal Reset occurs for Logic "0." This resets the horizontal counter to a state shown in *Figures 2 and 3*.

Vertical Reset occurs for Logic "0." This resets the vertical counter to a state determined by reset control input as shown below:

| VERTICAL RESET CONTROL INPUT | PERMITS THE VERTICAL COUNTER TO RESET TO THE: |
|------------------------------|---|
| $V_{IH}$ ( $V_{SS}$ )        | 0th count                                     |
| $V_{IL}$ ( $V_{GG}$ )        | 11th count                                    |

| HORIZONTAL RESET CONTROL INPUT | RESETS THE HORIZONTAL DIVIDER TO: |
|--------------------------------|-----------------------------------|
| $V_{IH}$                       | Beginning of line                 |
| $V_{IL}$                       | Center of line                    |

Logic "0" =  $V_{IL}$

Logic "1" =  $V_{IH}$

Divide select input =  $V_{IL}$ , ( $V_{GG}$ ) for master clock frequency of 1.26 MHz.

Divide select input =  $V_{IH}$ , ( $V_{SS}$ ) for master clock frequency of 2.04545 MHz.

### INPUTS

The user may select either of two input clock frequencies by properly programming the Divider Control pin. In one case the input frequency is 2.04545 MHz, which is 14.31818 MHz divided by seven. The other is eighty times the horizontal frequency, or 1.26 MHz. The divider control will be programmed by connecting it to  $V_{IH}$  ( $V_{SS}$ ) and  $V_{IL}$ , ( $V_{GG}$ ) respectively.

There are separate Vertical and Horizontal Reset inputs which allow directly resetting the appropriate divider(s) by a control pulse generated by external means. Both horizontal and vertical dividers may be reset simultan-

eously by connecting the Vertical and Horizontal Reset pins together and driving them with the same reset signal. Actual resetting of the vertical divider is to either of two states, depending upon the state of the Vertical Reset Control input; to zero, or to the fifth vertical serration pulse (eleven 0.5H time intervals from leading edge of Vertical Blanking). Refer to the reset table. The horizontal divider will always be reset to a position which is 8 input clock pulses from the leading edge of the serration gate in the horizontal timing scheme (*Figures 2 and 3*). The generator is reset to the odd field (field one). The Field Index output pulse occurs once each odd field at the leading edge of Vertical Blanking. It can be used to reset, or "gen-lock," similar sync generator chips by connecting it to their Vertical and Horizontal Reset inputs. The Horizontal Reset Control selects Horizontal Reset to the start or center of a line.

### OUTPUTS

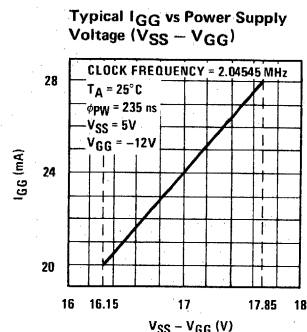
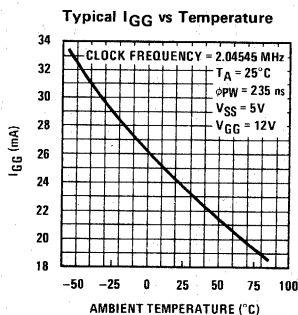
The generator supplies the following standard output functions: Horizontal Drive Out, Vertical Drive Out, Composite Blanking Out, Composite Sync Out and the Color Burst Gate.

In addition, Field Index and Color Burst Sync outputs are provided. The Field Index identifies the odd field, or field one, by occurring for two clock periods at the leading edge of Vertical Blanking in that field. Thus, its rate is 30 Hz. As described above, it can also be used to "gen-lock" other sync generator chips.

The Color Burst Sync output signal occurs at half the horizontal rate with the same timing as the Color Burst Gate output. It may be used to sync the color burst as it will have the same delay characteristics as the other outputs (including, of course, the Color Burst Gate) — the color burst sync is present during the vertical interval.

Differences in phasing between outputs are minimized by the use of identical push-pull output buffers clocked by the internal clock.

## typical performance characteristics



switching time waveforms

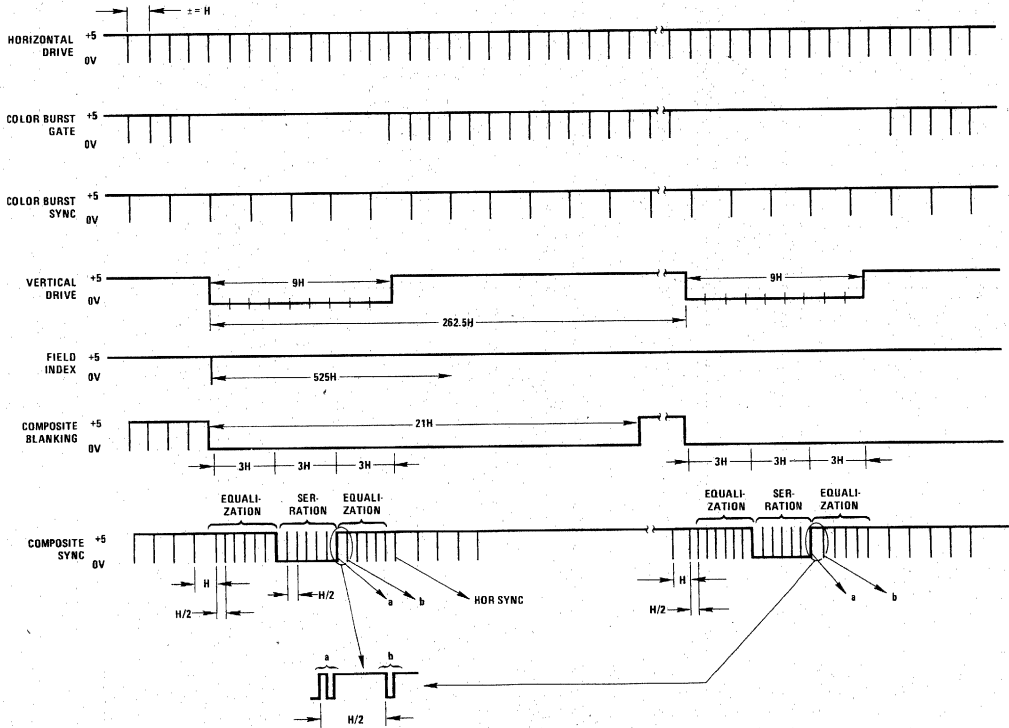


FIGURE 1.

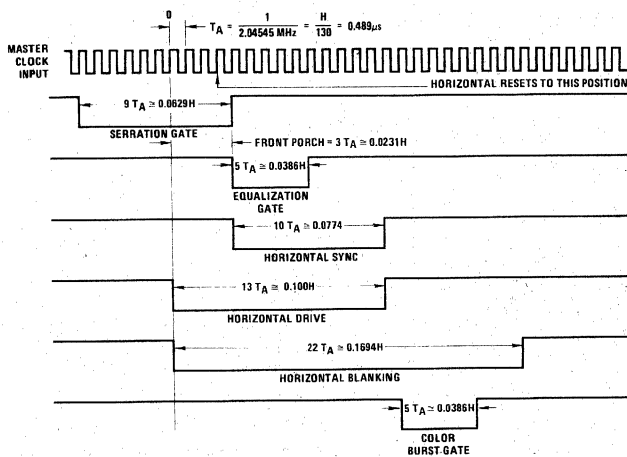


FIGURE 2. Horizontal Timing Master Clock = 2.04545 MHz

switching time waveforms (Continued)

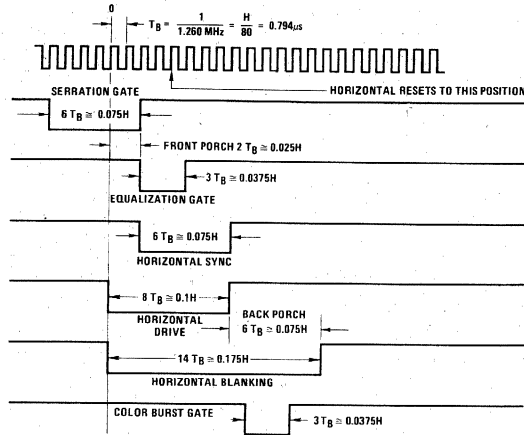


FIGURE 3. Horizontal Timing Master Clock = 1.26 MHz

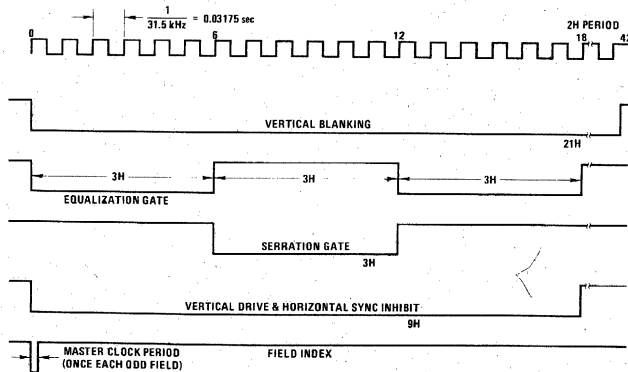


FIGURE 4. Vertical Timing

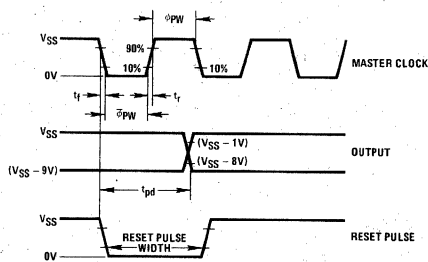


FIGURE 5.

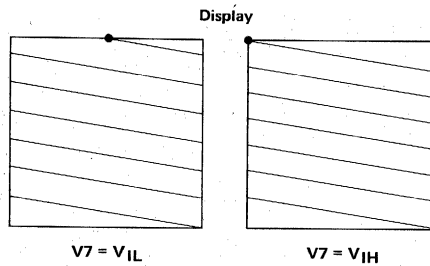
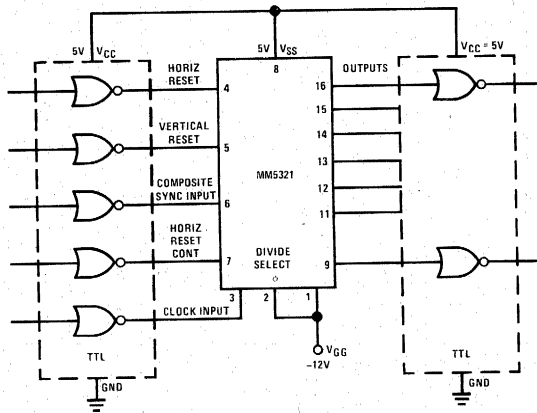


FIGURE 6. Horizontal Reset Characteristics

typical application



TTL Interface



**absolute maximum ratings**

|   |                                   |
|---|-----------------------------------|
| Voltage at Any Pin                        | $V_{SS}+0.3V$ to $V_{SS}-25V$     |
| Operating Temperatures                    | $-25^{\circ}C$ to $+75^{\circ}C$  |
| Storage Temperature                       | $-65^{\circ}C$ to $+150^{\circ}C$ |
| Lead Temperatures (Soldering, 10 seconds) | $300^{\circ}C$                    |

**electrical characteristics**  $T_A$  within operating range,  $V_{SS} = +12$  to  $+19V$ ,  $V_{GG} = 0V$

| PARAMETER                                      | CONDITIONS   | MIN        | TYP        | MAX          | UNITS |
|--|--|------------|------------|--------------|-------|
| Power Supply Voltage ( $V_{SS}$ )              |  | 12         |            | 19           | V     |
| Clock Input Frequency<br>OSC 1 and 2           | Crystal or External<br>Drive (Note 1)                                    |            | 378        |              | kHz   |
| Clock Input Levels                             | For External Drive (Note 1)  |            |            |              |       |
| Logical High                                   |  | $V_{SS}-2$ |            | $V_{SS}+0.3$ | V     |
| Logical Low                                    |  | $V_{GG}$   |            | $V_{GG}+2$   | V     |
| Control Inputs<br>BCD and Trigger              | Internal Resistor<br>To $V_{SS}$ , 1M $\Omega$ Min.<br>(Note 2)          |            |            |              |       |
| Logical High                                   |  | $V_{SS}-2$ |            | $V_{SS}+0.3$ | V     |
| Logical Low                                    |  | $V_{GG}$   |            | $V_{GG}+2$   | V     |
| Control Output Currents<br>Cog and $\bar{C}og$ |  |            |            |              |       |
| Logical High                                   | $V_{SS} - 2.0V$  | 2.5        |            |              | mA    |
| Logical Low                                    | $V_{GG} - V_{GG}/2$ (Note 3)   | 0.25       |            |              | mA    |
| Trigger and Z                                  |  |            |            |              |       |
| Logical High                                   | With 10k to $V_{GG}$ ,<br>$V_{GG} + 5.0V$ (Note 4)                       | 0.5        |            |              | mA    |
| Logical High                                   | With 1k to $V_{GG}$ ,<br>$V_{GG} + 1$ (Note 4)                           | 1.0        |            |              | mA    |
| Video Output                                   |  |            |            |              |       |
| Analog Highs                                   | With 2k to $V_{GG}$ (Note 5)   |            | 2.0 to 4.0 |              | mA    |
| Power Supply Current                           | $T_A = 25^{\circ}C$ , Freq = 378 kHz,<br>$V_{GG} = 0V$ , $V_{SS} = +19V$ |            |            | 30           | mA    |

4

- Note 1:** The oscillator may be operated with external components to oscillate at 378 kHz or it may be driven by an external pulse source using OSC 2 (Pin 13) as an input.
- Note 2:** These inputs are driven by switches.
- Note 3:** The color gate outputs are push-pull buffers.
- Note 4:** The trigger output and Z output are open drain outputs and require a resistor to  $V_{GG}$  for operation. Two possible resistor values are shown with their associated voltage and current levels.
- Note 5:** The video output requires a resistor to  $V_{GG}$  for operation. This resistor must be trimmed externally to achieve the desired output levels. The minimum voltage swing is 4.0 volts with a 10% change with temperature and from unit to unit. The percentage magnitude change with supply voltage can approach one.

**composite video output**

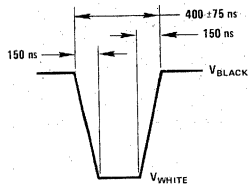


FIGURE 1. White Dot Video Information Pulse Width

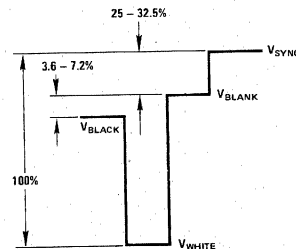


FIGURE 2. Composite Video Voltage Percentages

composite video output (con't)

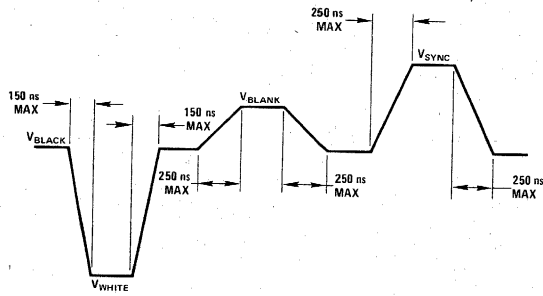
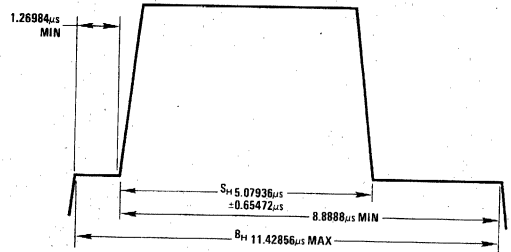
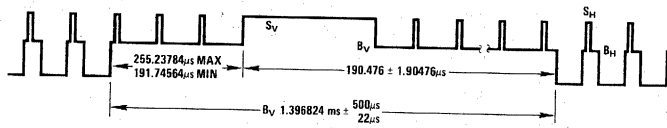


FIGURE 3. Composite Video Rise and Fall Times



Note: Line time equals 63.492 μs with oscillator at exactly 378 kHz.

FIGURE 4. Composite Video Pulse Timing, Horizontal Sync



Note: Frame frequency equals 60.114665 Hz.

FIGURE 5. Composite Video Pulse Timing, Vertical Sync

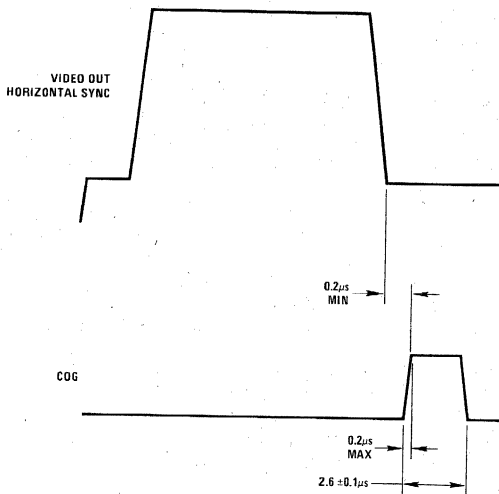


FIGURE 6. Color Gate Signal Timing

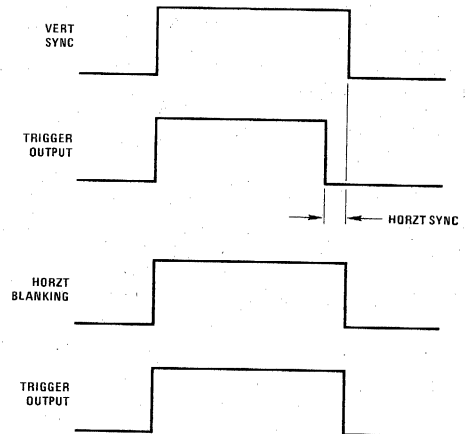
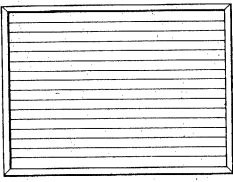
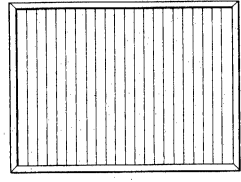


FIGURE 7. Trigger Output Timing Relationship

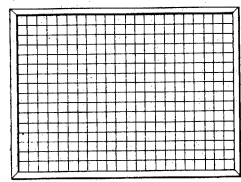
video output patterns



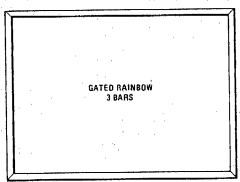
15 Horizontal Lines  
0000



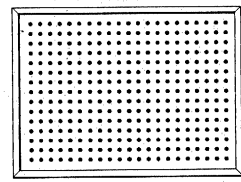
21 Vertical Lines  
0001



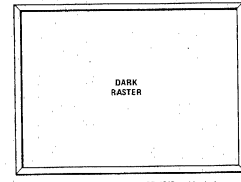
15 x 21 Cross Hatch  
0010



Gated Rainbow  
0011

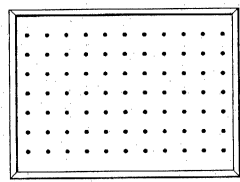


Dots 15 x 21  
0100

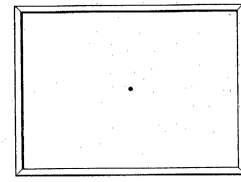


Note: Pattern switch codes are BCD 1248 positive logic.

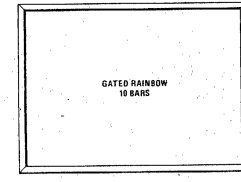
Purity  
0101



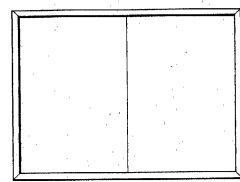
Dots 7 x 11  
0110



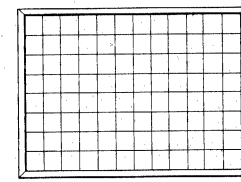
Single Dot  
0111



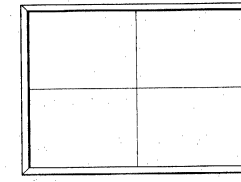
Gated Rainbow  
1000



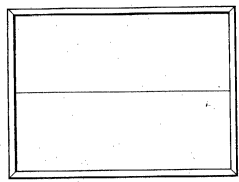
Single Vertical Line  
1001



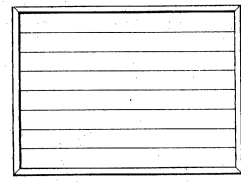
7 x 11 Cross Hatch  
1010



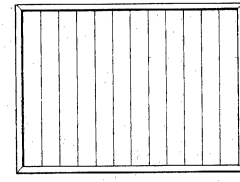
Single Crosshair  
1011



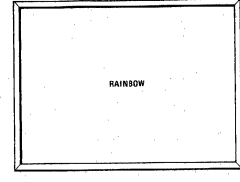
Single Horizontal Line  
1100



7 Horizontal Lines  
1101



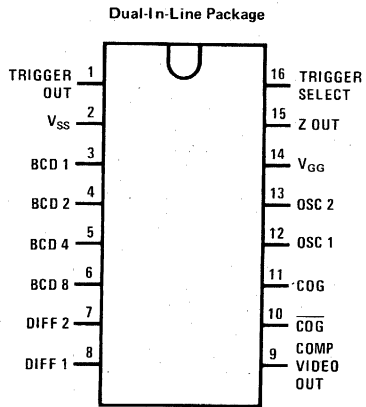
11 Vertical Lines  
1110



Ungated Rainbow  
1111



# connection diagram



TOP VIEW

Note. ZOUT is an internal counter test point.

Order Number MM5322N  
See Package 19



## MM5840 TV channel number (16 channels) and time display circuit

### general description

The MM5840 TV Channel Number and Time Display Chip is a monolithic metal gate CMOS integrated circuit which generates a display of channel numbers (up to 16 channels) and time readouts on the television screen.

By external connection, it has the option of displaying the channel number only while switching channels with a period controlled by the external RC time constant of a timeout monostable.

This chip includes all the logic required to provide two modes of operation, namely channel number, or channel number and time display.

In addition, it can have a five (hour tens, hour units, colon, minute tens, and minute units) or eight digit (hour tens, hour units, colon, minute tens, minute units, colon, second tens, and second units) display, depending on the digit select input logic level.

By employing the video gating input together with the video output, a symmetrical blanked rectangular frame around the display may be generated on the TV screen.

This chip serves as a display generator with BCD channel inputs, as provided from the clock chips MM5318, MM53100 or MM53105. The position of the display on the TV screen can be controlled by adjusting external RC time constants.

### functional description

The channel number and time readout circuit operates with a 2 to 4.5 MHz input clock. Counters are incorporated in the chip, operated by the input clock to keep track of the time slots of the display.

The position of the display is controlled by adjusting the external RC time constants of the horizontal and vertical monostable multivibrators.

A 7-segment decoder is used to decode either channel inputs or time which is stored temporarily in the channel number buffers or 4-bit latches, respectively, depending on the time slot of the display. Each digit of time is stored in a 4-bit latch while it is being decoded and displayed, and the next digit enters the latch while the horizontal sweep is between digits.

A time slot decoder is employed to decode the appropriate time slot and the digit to be displayed. It generates a video output signal that modulates the sweep of the television tube for the display on the screen.

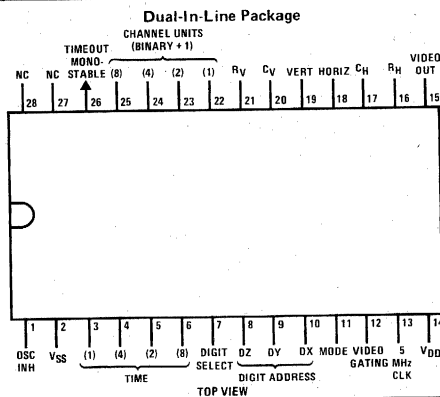
### features

- 12 or 24-hour operation (controlled by clock chip)
- 5 or 8-digit display
- Channel number leading zero blanking
- Single power supply
- Channel number only or channel number and time display
- Video gating output for generating a symmetrical blanked rectangular frame around the display
- Oscillator inhibit output
- Channel number display only while switching channels
- 4-bit binary plus one code for channel numbers

### functions

- 8-digit mode is selected by a logic "1" at digit select input
- Channel number and time mode is selected by a logic "1" at mode input
- Permanent channel number display is selected by a logic "1" at timeout monostable input

### connection diagram



Order Number MM5840N  
See Package 23

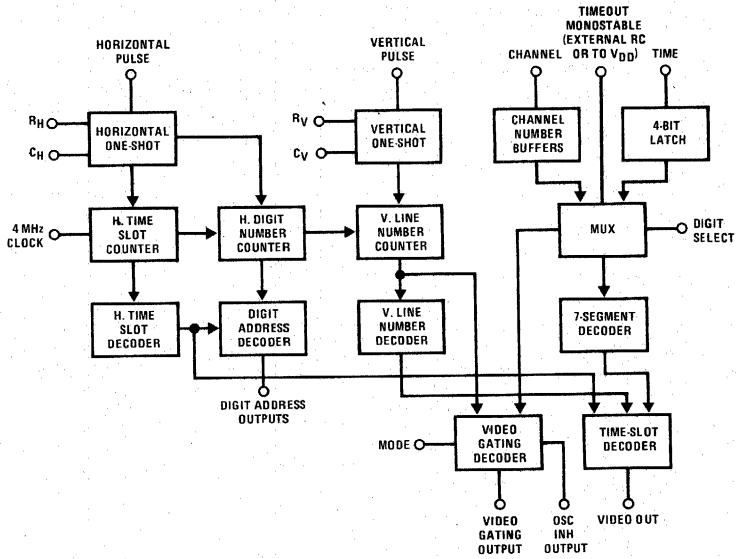
**absolute maximum ratings**

|  |                                    |
|--|------------------------------------|
| Supply Voltage ( $V_{DD} - V_{SS}$ )     | -0.3V to +15V                      |
| Voltage at Any Pin                       | $V_{SS} - 0.3V$ to $V_{DD} + 0.3V$ |
| Operating Temperature                    | 0°C to +70°C                       |
| Storage Temperature                      | -55°C to +150°C                    |
| Lead Temperature (Soldering, 10 seconds) | 300°C                              |

**electrical characteristics**  $V_{DD} = 12V$ ,  $V_{SS} = 0V$ , unless otherwise specified.

| PARAMETER                                       | CONDITIONS   | MIN            | TYP          | MAX            | UNITS        |
|---|--|----------------|--------------|----------------|--------------|
| Power Supply Voltage                            |  |                |              |                |              |
| $V_{DD}$  | $V_{SS} = 0$   | 11             | 12           | 14             | V            |
| Power Supply Current                            |  |                |              | 800            | $\mu A$      |
| Input Voltage Levels                            |  |                |              |                |              |
| Time, Oscillator, Digit Select, and Mode Inputs |  |                |              |                |              |
| Logical Low                                     |  | $V_{SS} - 0.3$ | $V_{SS}$     | $V_{SS} + 0.9$ | V            |
| Logical High                                    |  | $V_{DD} - 0.5$ | $V_{DD}$     | $V_{DD} + 0.3$ | V            |
| Channel Inputs                                  |  |                |              |                |              |
| Logical Low                                     |  | $V_{SS} - 0.3$ | $V_{DD} - 5$ | $V_{DD} - 4.5$ | V            |
| Logical High                                    |  | $V_{DD} - 0.5$ | $V_{DD}$     | $V_{DD} + 0.3$ | V            |
| Horizontal and Vertical Inputs                  |  |                |              |                |              |
| Logical Low                                     |  | $V_{SS} - 0.3$ | $V_{DD} - 5$ | $V_{DD} - 4.5$ | V            |
| Logical High                                    |  | $V_{DD} - 0.5$ | $V_{DD}$     | $V_{DD} + 0.3$ | V            |
| Input Frequency                                 | Interfacing with MM53100, MM53105                              | 2              |              | 4.5            | MHz          |
| Oscillator                                      | Interfacing with MM5318  | 2              |              | 4.5            | MHz          |
| Horizontal                                      | Pulse Width = 14 $\mu s$                                       |                | 15.75        |                | kHz          |
| Vertical  | Pulse Width = 1 ms   |                | 60           |                | Hz           |
| Output Voltage Levels                           |  |                |              |                |              |
| Video Gating, Osc. Inhibit                      |  |                |              |                |              |
| Digit Address and Video Outputs                 |  |                |              |                |              |
| Logical Low                                     |  | $V_{SS} - 0.3$ | $V_{SS}$     | $V_{SS} + 0.9$ | V            |
| Logical High                                    |  | $V_{DD} - 0.5$ | $V_{DD}$     | $V_{DD} + 0.3$ | V            |
| One-Shot Output Pulse Duration                  |  |                |              |                |              |
| Horizontal                                      |  | 15             |              | 50             | $\mu s$      |
| Vertical  |  | 1.5            |              | 13             | ms           |
| Output Drive                                    |  |                |              |                |              |
| Video Output                                    |  |                |              |                |              |
| Logical Low                                     | $V_{SS} + 1V$  | -1             |              |                | mA           |
| Logical High                                    | $V_{DD} - 1V$  | 1              |              |                | mA           |
| Video Gating and Osc. Inhibit Outputs           |  |                |              |                |              |
| Logical Low                                     | Output Forced Up to $V_{DD} - 4.5V$                            | -2             |              |                | mA           |
| Logical High                                    | $V_{DD} - 1V$  | 0.2            |              |                | mA           |
| External RC                                     |  |                |              |                |              |
| CVERTICAL                                       |  |                | 0.1          |                | $\mu F$      |
| CHORIZONTAL                                     |  |                | 0.001        |                | $\mu F$      |
| RVERTICAL                                       |  |                | 50           |                | k $\Omega$   |
| RHORIZONTAL                                     |  |                | 100          |                | k $\Omega$   |
| CTIMEOUT  |  |                | 5            |                | $\mu F$      |
| RTIMEOUT  |  |                |              | 1              | M $\Omega$   |
| Propagation Delay                               |  |                |              |                |              |
| Video Gating and Osc. Inhibit Outputs           | From Input Clock to Oscillator Inhibit or Video Gating Outputs |                |              | 2              | clock pulses |
| Input Leakage                                   |  |                |              | 1              | $\mu A$      |
| Input Capacitance                               |  |                |              | 5              | pF           |

block diagram

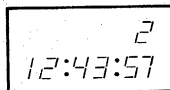
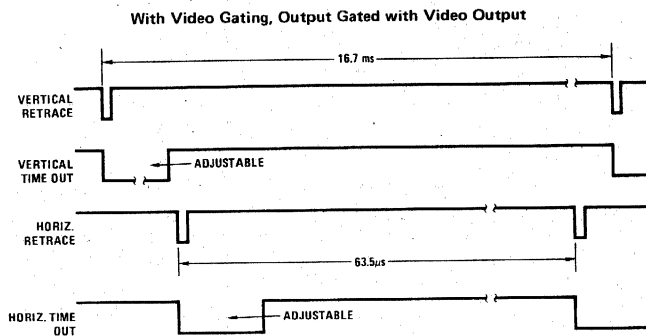


truth table

Digit Address (DX, DY, DZ) Codes

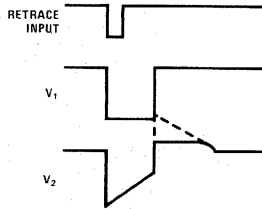
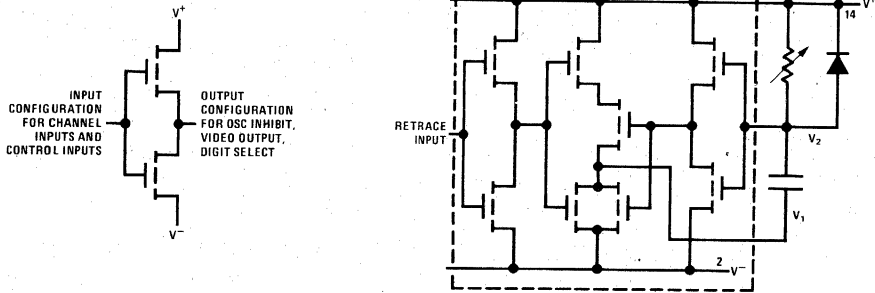
| CODES | DURING RESET | DIGITS |   |   |   |   |   |   |   |
|-------|--------------|--------|---|---|---|---|---|---|---|
|       |              | 1      | 2 | 3 | 4 | 5 | 6 | 7 | 8 |
| DX    | 1            | 0      | 0 | 1 | 1 | 0 | 0 | 1 | 1 |
| DY    | 1            | 1      | 0 | 0 | 0 | 0 | 1 | 1 | 1 |
| DZ    | 1            | 1      | 1 | 1 | 0 | 0 | 0 | 0 | 1 |

timing diagram

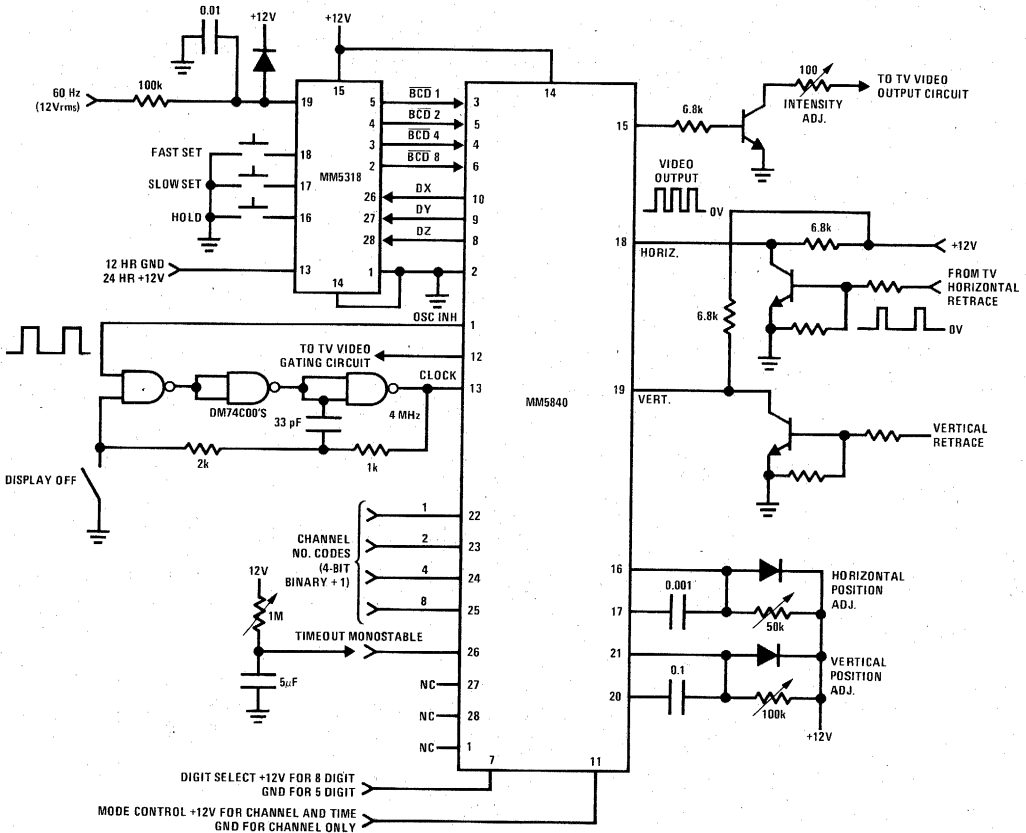


typical applications

Horizontal and Vertical One-Shot Circuit

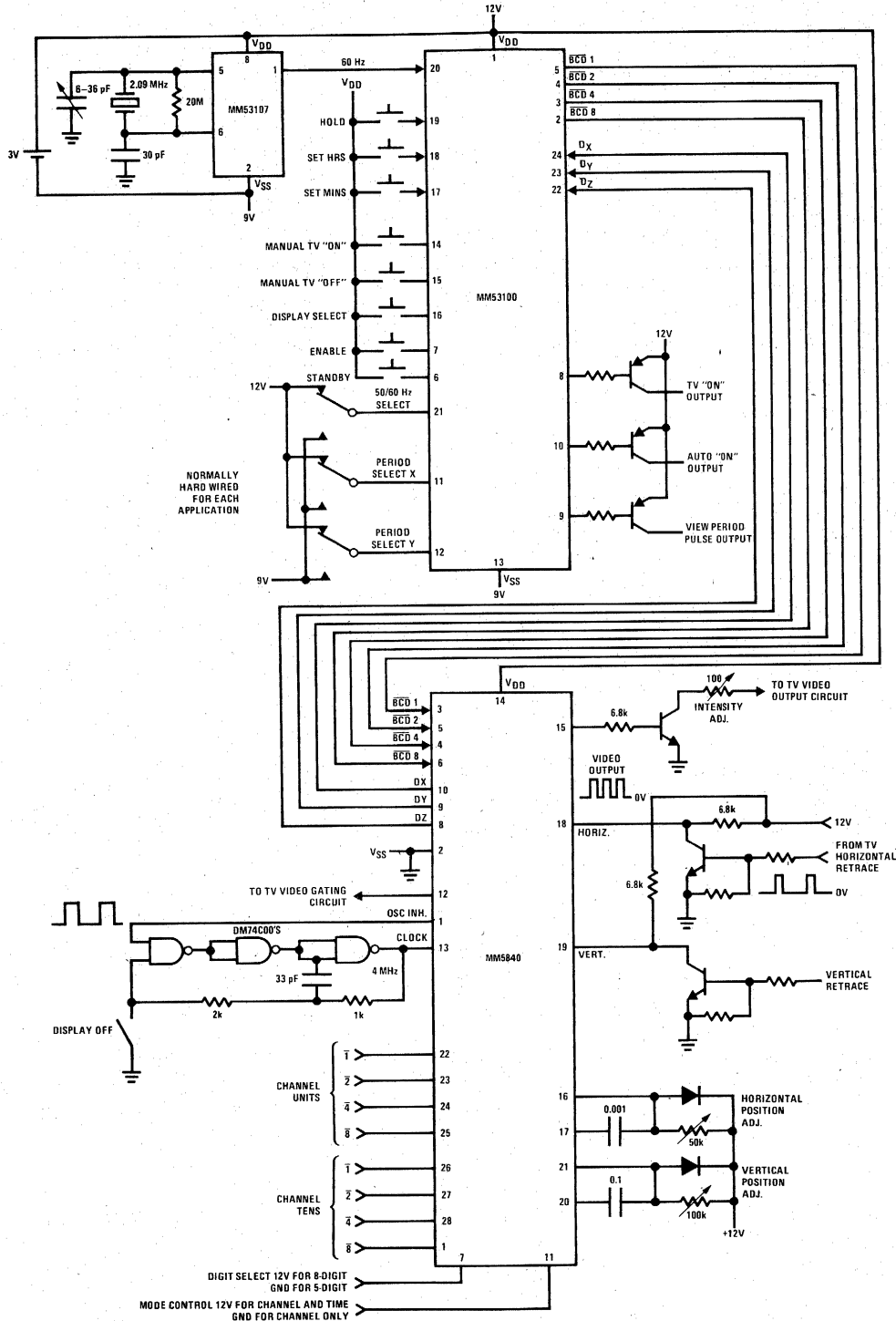


TV Channel and Time Display Interfacing MM5318



typical applications (Continued)

TV Channel and Time Display Interfacing MM53100





## MM5841 TV channel number and time readout circuit

### general description

The MM5841 TV Channel Number and Time Readout Circuit is a monolithic metal gate CMOS integrated circuit, which generates a display of channel number and time readouts on the television screen.

This chip includes all the logic required to provide two modes of operation, namely channel number, or channel number and time displays.

In addition, it can have a five (hour tens, hour units, colon, minute tens, and minute units) or eight digit (hour tens, hour units, colon, minute tens, minute units, colon, second tens, and second units) display, depending on the digit select input logic level.

This chip serves as a display generator between the BCD channel inputs, the clock chip (MM5318) and the television set. The position of the display on the TV screen can be controlled by adjusting the external RC time constants.

### functional description

The channel number and time readout circuit operates with a 4 MHz input clock. Counters are incorporated in the chip, operated by the input clock to keep track of the time slots of the display.

The position of the display is controlled by adjusting the external RC time constants of the horizontal and vertical monostable multivibrators.

A 7-segment decoder is used to decode either channel inputs or time which is stored temporarily in the channel number buffers or 4 bit latches, respectively, depending on the time slot of the display. Each digit of time is stored in a 4-bit latch while it is being decoded and displayed, and the next digit enters the latch while the horizontal sweep is between digits.

A time slot decoder is employed to decode the appropriate time slot and the digit to be displayed. It generates a video output signal that modulates the sweep of the television tube for the display on the screen.

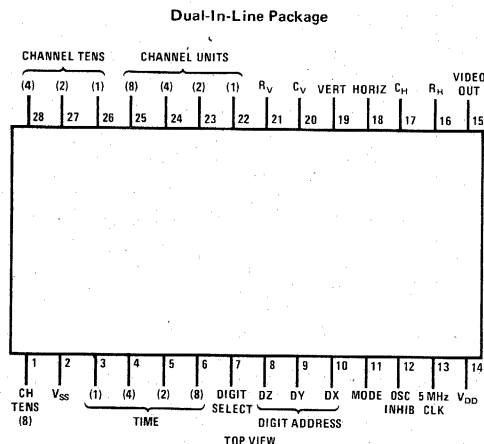
### features

- 12 or 24 hour operation (controlled by clock chip)
- 5 or 8 digit display
- Channel number leading zero blanking
- Single power supply
- Channel number only or channel number and time display

### functions

- 8 digit mode is selected by a logic "1" at digit select input
- Channel number and time mode is selected by a logic "1" at mode input

### connection diagram



Order Number MM5841N  
See Package 23

**absolute maximum ratings**

|  |                                    |
|--|------------------------------------|
| Supply Voltage ( $V_{DD} - V_{SS}$ )     | -0.3V to +15V                      |
| Voltage at Any Pin                       | $V_{SS} - 0.3V$ to $V_{DD} + 0.3V$ |
| Operating Temperature                    | 0°C to +70°C                       |
| Storage Temperature                      | -55°C to +150°C                    |
| Lead Temperature (Soldering, 10 seconds) | 300°C                              |

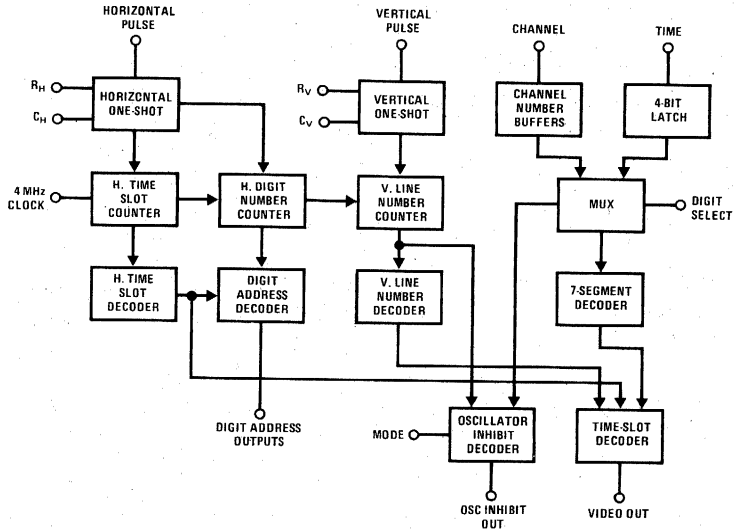
**electrical characteristics**

$V_{DD} = 12V$ ,  $V_{SS} = 0V$ , unless otherwise specified.

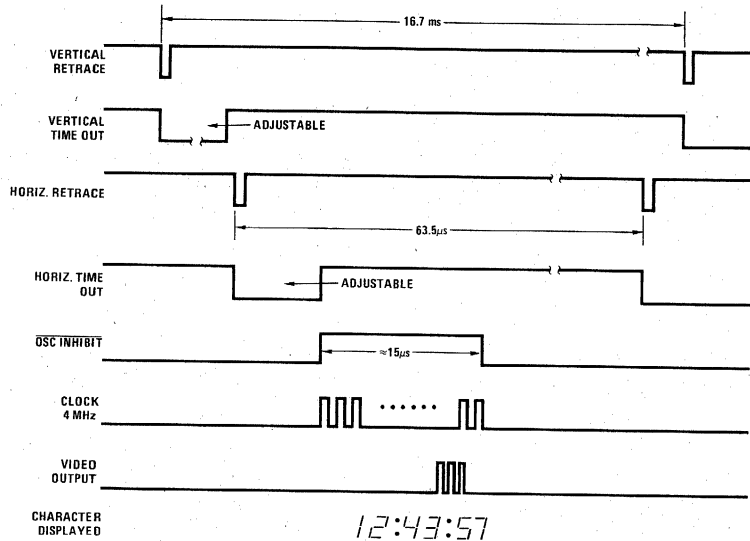
| PARAMETER  | CONDITIONS                                       | MIN          | TYP        | MAX          | UNITS          |
|--|--|--------------|------------|--------------|----------------|
| Power Supply Voltage<br>$V_{DD}$                       | $V_{SS} = 0$                                     | 11           | 12         | 14           | V              |
| Power Supply Current                                   |  |              |            | 800          | $\mu A$        |
| Input Voltage Levels                                   |  |              |            |              |                |
| Time, Oscillator, Digit Select,<br>and Mode Inputs     |  |              |            |              |                |
| Logical Low  |  | $V_{SS}-0.3$ | $V_{SS}$   | $V_{SS}+0.9$ | V              |
| Logical High   |  | $V_{DD}-0.5$ | $V_{DD}$   | $V_{DD}+0.3$ | V              |
| Channel Inputs   |  |              |            |              |                |
| Logical Low  |  | $V_{SS}-0.3$ | $V_{DD}-5$ | $V_{DD}-4.5$ | V              |
| Logical High   |  | $V_{DD}-0.5$ | $V_{DD}$   | $V_{DD}+0.3$ | V              |
| Horizontal and Vertical Inputs                         |  |              |            |              |                |
| Logical Low  |  | $V_{SS}-0.3$ | $V_{DD}-5$ | $V_{DD}-4.5$ | V              |
| Logical High   |  | $V_{DD}-0.5$ | $V_{DD}$   | $V_{DD}+0.3$ | V              |
| Input Frequency  |  |              |            |              |                |
| Oscillator   |  | 1            | 4          | 4.5          | MHz            |
| Horizontal   | Pulse Width = 14 $\mu s$                         |              | 15.75      |              | kHz            |
| Vertical   | Pulse Width = 1 ms                               |              | 60         |              | Hz             |
| Output Voltage Levels                                  |  |              |            |              |                |
| Oscillator Inhibit, Digit Address<br>and Video Outputs |  |              |            |              |                |
| Logical Low  |  | $V_{SS}-0.3$ | $V_{SS}$   | $V_{SS}+0.9$ | V              |
| Logical High   |  | $V_{DD}-0.5$ | $V_{DD}$   | $V_{DD}+0.3$ | V              |
| One-Shot Output Pulse Duration                         |  |              |            |              |                |
| Horizontal   |  | 15           |            | 50           | $\mu s$        |
| Vertical   |  | 1.5          |            | 13           | ms             |
| Output Drive   |  |              |            |              |                |
| Video Output   |  |              |            |              |                |
| Logical Low  | $V_{SS} + 1.0V$                                  | -11          |            |              | mA             |
| Logical High   | $V_{DD} - 1.0V$                                  | 1            |            |              | mA             |
| Oscillator Inhibit Output                              |  |              |            |              |                |
| Logical Low  | Output Forced Up to $V_{DD} - 4.5V$              | -21          |            |              | mA             |
| Logical High   | $V_{DD} - 1.0V$                                  | 0.2          |            |              | mA             |
| External RC  |  |              |            |              |                |
| $C_{VERTICAL}$   |  |              | 0.1        |              | $\mu F$        |
| $C_{HORIZONTAL}$                                       |  |              | 0.001      |              | $\mu F$        |
| $R_{VERTICAL}$   |  |              | 50         |              | k $\Omega$ pot |
| $R_{HORIZONTAL}$                                       |  |              | 100        |              | k $\Omega$ pot |
| Propagation Delay                                      |  |              |            |              |                |
| Oscillator Inhibit Output                              | From Input Clock to Oscillator<br>Inhibit Output |              |            | 2            | clock pulses   |
| Input Leakage  |  |              |            | 1            | $\mu A$        |
| Input Capacitance                                      |  |              |            | 5            | pF             |



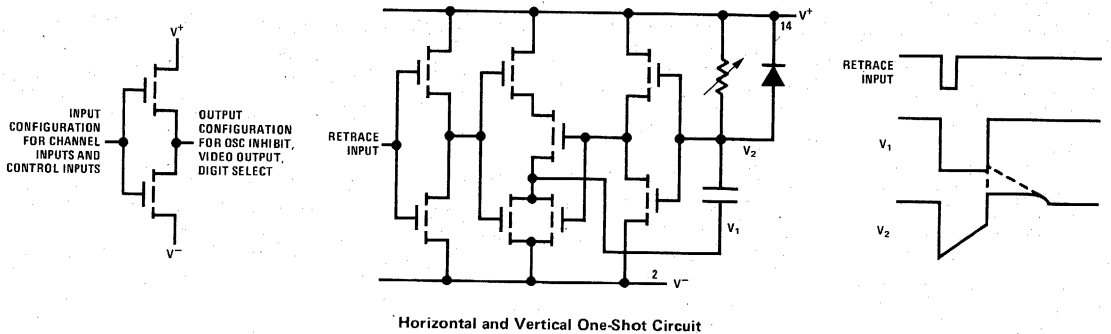
block diagram



timing diagram

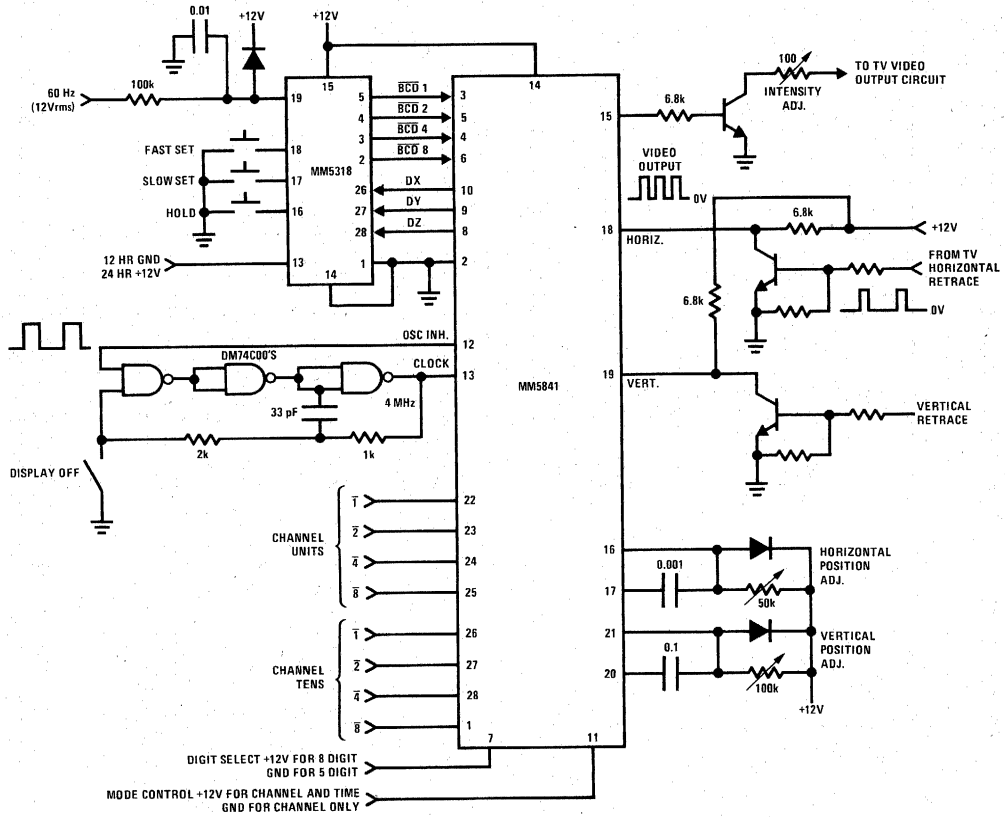


typical applications



Horizontal and Vertical One-Shot Circuit

typical applications (con't)



TV Channel and Time Display



## MM53100, MM53105 programmable TV timers

### general description

The MM53100 and MM53105 programmable TV timers are monolithic CMOS integrated circuits utilizing P and N-channel low threshold enhancement devices. These circuits contain all the logic to give a 4 or 6-digit, 24-hour display from a 50 or 60 Hz input, and control the "ON" time of the TV. The duration of the viewing period is 5, 10, 20 or 30 mins, selected by 2 input pins. Manual "ON" and "OFF" inputs are also provided. The MM53100 and MM53105 have ultra-low power dissipation in the stand-by mode and are ideally suited to crystal controlled battery-operated systems. The MM53100 is designed for an optimum interface in TVs with a positive common reference voltage (e.g., +18V). The MM53105 is designed for an optimum interface for TVs with a 0V reference voltage. Both are packaged in a 24-lead dual-in-line epoxy package.

### features

- 50 or 60 Hz operation
- 24-hour display format
- Programmable TV on time
- Selectable view time
- Ultra-low power dissipation
- All counters resettable
- Low voltage operation
- Elimination of illegal time display at turn-on
- Daily repeat or non-repeating operating
- Fool-proof safety features
- Compatible with MM5840 or MM5841 display circuits

### applications

- TV time display
- Remote TV "ON"/"OFF" switch
- Computer clock
- Time data—logging systems

### block diagram

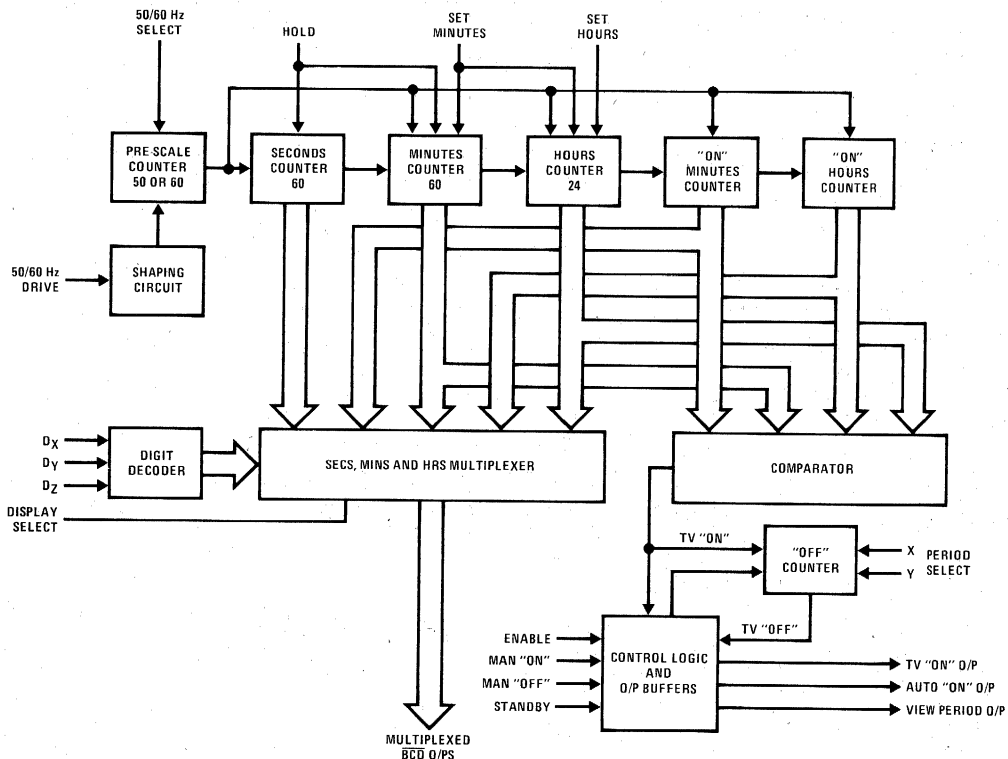


FIGURE 1. MM53100, MM53105 Block Diagram

**absolute maximum ratings** (MM53100) ( $V_{DD}$  common voltage reference)

|   |                                    |
|---|------------------------------------|
| Supply Voltage ( $V_{DD} - V_{SS}$ )                | 6V                                 |
| Voltage at 50/60 Hz Select and Period Select Inputs | $V_{SS} - 0.3V$ to $V_{DD} + 0.3V$ |
| Current Into or Out of Any Other Input              | 100 $\mu A$ max                    |

**electrical characteristics** (MM53100)  $T_A = 25^\circ C$ ,  $V_{DD} = 4.5V$ ,  $V_{SS} = 0V$  unless otherwise specified.

| PARAMETER   | CONDITIONS  | MIN            | TYP | MAX             | UNITS   |
|---|---|----------------|-----|-----------------|---------|
| Supply Voltage  |   | 2.8            |     | 5.0             | V       |
| Supply Current  | $V_{DD} = 4.5V$   |                | 10  | 25              | $\mu A$ |
| Input Logic Levels  |   |                |     |                 |         |
| 50/60 Hz Input, Digit Select Inputs, Display Select, "ON", "OFF", Time Setting Control, Standby Control |   |                |     |                 |         |
| Logic "1"   |   | $V_{DD} - 0.5$ |     | $V_{DD}$        | V       |
| Logic "0"   | (Note 1)  |                |     | $V_{SS} + 0.5$  | V       |
| 50/60 Hz Select, Period Select (X, Y)   |   |                |     |                 |         |
| Logic "1"   |   | $V_{DD} - 0.5$ |     | $V_{DD}$        | V       |
| Logic "0"   |   | $V_{SS}$       |     | $V_{SS} + 0.5$  | V       |
| Display Select Input Delay  |   | 0.5            |     | 2.0             | $\mu s$ |
| Output Logic Levels   |   |                |     |                 |         |
| BCD Outputs   | External Resistor, 15 $k\Omega$ to $V_{DD} - 12V$ , $C_L = 15 pF$ |                |     |                 |         |
| Logic "1"   |   | $V_{DD} - 0.8$ |     |                 | V       |
| Logic "0"   |   |                |     | $V_{DD} - 11.2$ | V       |

**Note 1:** If input voltages go more negative than  $V_{SS}$ , the input current must be limited to a maximum of 100  $\mu A$  by the use of external series resistors. No resistors are required on the  $D_X$ ,  $D_Y$ ,  $D_Z$  inputs when interfacing with the MM5840.

**absolute maximum ratings** (MM53105) ( $V_{SS}$  common voltage reference)

|   |                |
|---|----------------|
| Supply Voltage ( $V_{DD} - V_{SS}$ )                | 6V             |
| Voltage at 50/60 Hz Select and Period Select Inputs | $V_{SS} + 6V$  |
| Voltage at Any Other Pin                            | $V_{SS} + 13V$ |

**electrical characteristics** (MM53105)  $T_A = 25^\circ C$ ,  $V_{DD} = 4.5V$ ,  $V_{SS} = 0V$  unless otherwise specified.

| PARAMETER  | CONDITIONS      | MIN            | TYP | MAX            | UNITS   |
|--|-----------------|----------------|-----|----------------|---------|
| Supply Voltage   |                 | 2.8            |     | 5.0            | V       |
| Supply Current   | $V_{DD} = 4.5V$ |                | 10  | 25             | $\mu A$ |
| Input Logic Levels   |                 |                |     |                |         |
| 50/60 Hz Input, Digit Select Inputs, "ON", "OFF", Display Select, Time Setting Controls, Standby Control |                 |                |     |                |         |
| Logic "1"  |                 | $V_{DD} - 0.5$ |     | 13             | V       |
| Logic "0"  |                 | $V_{SS}$       |     | $V_{SS} + 0.5$ | V       |
| 50/60 Hz Select, Period Select (X, Y)  |                 |                |     |                |         |
| Logic "1"  |                 | $V_{DD} - 0.5$ |     | $V_{DD}$       | V       |
| Logic "0"  |                 | $V_{SS}$       |     | $V_{SS} + 0.5$ | V       |
| Display Select Input Delay   |                 | 0.5            |     | 2.0            | $\mu s$ |

**electrical characteristics** (Continued) (MM53105)  $T_A = 25^\circ\text{C}$ ,  $V_{DD} = 4.5\text{V}$ ,  $V_{SS} = 0\text{V}$  unless otherwise specified.

| PARAMETER                | CONDITIONS   | MIN  | TYP | MAX | UNITS |
|--------------------------|--|------|-----|-----|-------|
| Output Logic Levels      |  |      |     |     |       |
| BCD Outputs              | External Resistor 15 k $\Omega$ to 12V,<br>$C_L = 15\text{pF}$ |      |     |     |       |
| Logic "1"                |  | 11.2 |     |     | V     |
| Logic "0"                |  |      |     | 0.8 | V     |
| TV "ON" Output, Auto     |  |      |     |     |       |
| "ON" Output, View Period |  |      |     |     |       |
| Output                   |  |      |     |     |       |
| Logic "1"                | Loaded 2.7 k $\Omega$ to $V_{SS}$                              | 0.5  |     |     | mA    |
| Logic "0"                | Loaded 2.7 k $\Omega$ to $V_{DD}$                              | 1.0  |     |     | mA    |

Note 1: Input voltages to go more positive than  $V_{DD}$ .

### functional description

A block diagram of the MM53100, MM53105 TV timers is shown in Figure 1. A connection diagram is shown in Figure 2. Unless otherwise indicated, the following discussions are based on Figure 1. Figures 5a and 5b illustrate the system configuration for a crystal controlled TV display system using both circuits.

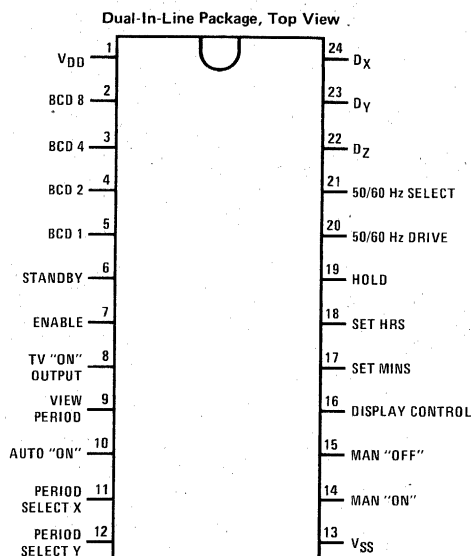


FIGURE 2.

Order Number MM53100N or MM53105N  
See Package 22

**50 or 60 Hz Drive:** This input is applied to a Schmitt trigger shaping circuit which allows use of a filtered sinewave input. A simple RC filter should be used to remove possible line voltage transients that could either cause the clock to gain time or damage the device. The input should swing between  $V_{SS}$  and  $V_{DD}$ . The shaper output drives a counter chain which performs the time-keeping function.

Alternatively, in a crystal controlled battery operated system, an oscillator and prescaler such as the MM53107 could be used as a time base.

**50 or 60 Hz Select Input:** This input programs the prescale counter to divide by either 50 or 60 to obtain a 1 pps time base. The counter is programmed for 60 Hz operation by connecting this input to  $V_{DD}$ . An internal 1 M $\Omega$  pull-down resistor is common to this pin; simply leaving this input unconnected programs the clock for 50 Hz operation.

**Time Setting Inputs:** Inputs to set hours and set minutes as well as hold input, are provided. Internal 1 M $\Omega$  pull-down resistors provide the normal timekeeping function. Switching any 1 of these inputs (1 at a time) to "1" results in the desired time setting function. Set Hours advances hours information at 1 hour/second and Set Minutes advances minutes information at 1 minute/second, without roll over into the hours counter. Set Minutes also resets the seconds counter to 0. The hold input stops the clock to the minutes counter and resets the seconds counter. Activating Set Minutes and Set Hours simultaneously resets the displayed counters to all 0's.

**Display:** This input controls the display and time-setting operation. It has an internal 1 M $\Omega$  pull-down resistor to  $V_{SS}$ . When taken to Logic "0" or in open circuit condition, the real time is displayed and the Set Hours and Set Minutes inputs operate the real time counters. When taken to logic "1", the "ON" time is displayed and the time-setting inputs operate on the "ON" counters.

**Digital Select Inputs ( $D_X$ ,  $D_Y$ ,  $D_Z$ ):** These 3 inputs are used to determine which digit will be displayed. Table 1A shows the code for each digit. Seconds will be displayed as "00" when the "ON" time is being displayed.

**Enable:** This input has an internal resistor to  $V_{SS}$ . When taken to logic "1", this input disables the programmed "ON" time for the TV output.

**Period Select Inputs (X, Y):** These inputs have pull-down resistors to  $V_{SS}$ . They determine the view period, i.e., 5, 10, 20 or 30 mins. Table 1B shows the Period Select Code.

## functional description (Continued)

**Standby Control Input:** This input has an internal resistor to  $V_{SS}$ . Its function is to sense when the line generated 12V supply is turned off and to then disable the outputs. In the TV, this input should be connected to the 12V supply.

**Manual "ON" Input:** This input has an internal resistor to  $V_{SS}$ . When taken to logic "1", this input turns the TV output to the "0" state. It is designed to have typically 0.75 second debounce time to prevent mal-operation.

**Manual "OFF" Input:** This input has an internal resistor to  $V_{SS}$ . When taken to logic "1", this input turns the TV output to the "1" state. It is designed to have typically 0.75 second debounce time to prevent mal-operation.

**TV "ON" Output:** Figure 3 illustrates the CMOS inverter output circuit used.

In the manual mode of operation, the manual "ON" input sets this output to "0", the manual "OFF" input resets this output to "1". The manual "ON" input inhibits the auto "ON" output.

In the programmable mode, this output goes to "0" when the programmed "ON" time coincides with the real time (unless enable = 1). The output will then stay at "0" for the selected period of 5, 10, 20 or 30 minutes before returning to "1" state. During this

period, a signal on the manual "ON" input will prevent the automatic switch-off.

Manual "OFF" input will always reset the output to a logic "1" state.

**Auto "ON" TV Output:** An additional output is provided to indicate that the TV is "ON" in the automatic mode of operation. This output goes to a logic "0" for the duration of the auto "ON" time. Manual "ON" switches this output back to a logic "1".

**View Period Indicator:** This output normally is a logic "1". When the TV switches on at the programmed time, this output transmits a 1 Hz waveform for the duration of the selected view period. Hence, it can be used to indicate that the TV is switched on for a limited period only by means of a flashing on-screen and/or off-screen display. The output will permanently return to "1" at the end of the viewing period or when a valid manual "ON" or "OFF" input signal is received during the view period.

**BCD Outputs:** Figure 4 illustrates the open drain output circuits used, a) MM53100, b) MM53105.

With the use of the external respective pull-up and pull-down resistors, these outputs are designed to be compatible with the MM5840 and MM5841 TV display circuits.

Note. Case (a) for common  $V_{DD}$ , case (b) for common  $V_{SS}$  when used with the MM5840.

TABLE IA. Digit Select Code

| DIGIT SELECT LINES | DIGIT DISPLAYED |     |   |    |     |   |    |     |
|--------------------|-----------------|-----|---|----|-----|---|----|-----|
|                    | S1              | S10 | * | M1 | M10 | * | H1 | H10 |
| D <sub>X</sub>     | 1               | 0   | 0 | 1  | 1   | 0 | 0  | 1   |
| D <sub>Y</sub>     | 1               | 1   | 0 | 0  | 0   | 0 | 1  | 1   |
| D <sub>Z</sub>     | 0               | 0   | 0 | 0  | 1   | 1 | 1  | 1   |

TABLE IB. Period Select Code

| PERIOD SELECT INPUTS |   | VIEW PERIOD PROGRAMMED |
|----------------------|---|------------------------|
| X                    | Y |                        |
| 0                    | 0 | 5 mins                 |
| 0                    | 1 | 10 mins                |
| 1                    | 0 | 20 mins                |
| 1                    | 1 | 30 mins                |

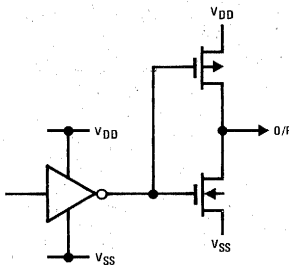


FIGURE 3. CMOS Output (TV "ON", Auto "ON", Indicator)

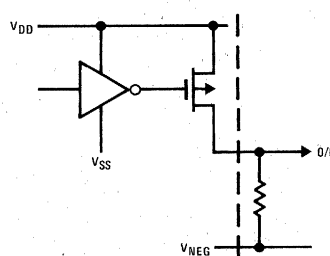


FIGURE 4a. BCD Outputs, MM53100

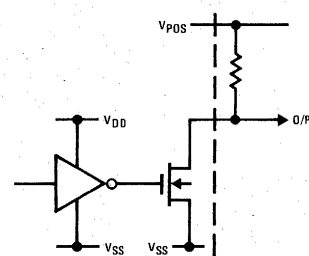


FIGURE 4b. BCD Outputs, MM53105

functional description (Continued)

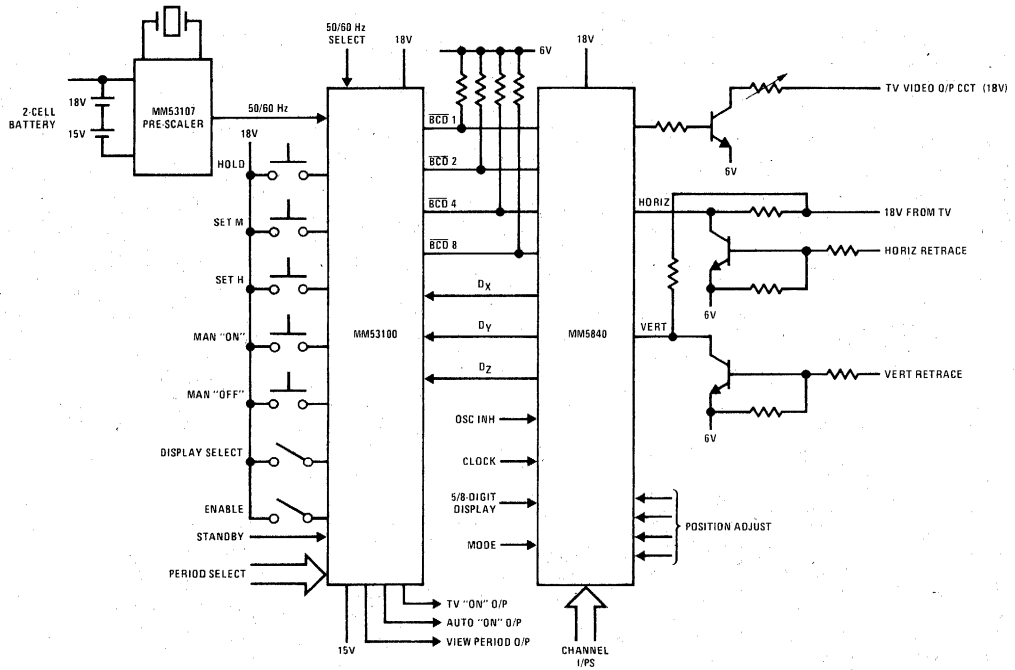


FIGURE 5a. Typical System Diagram, MM53100

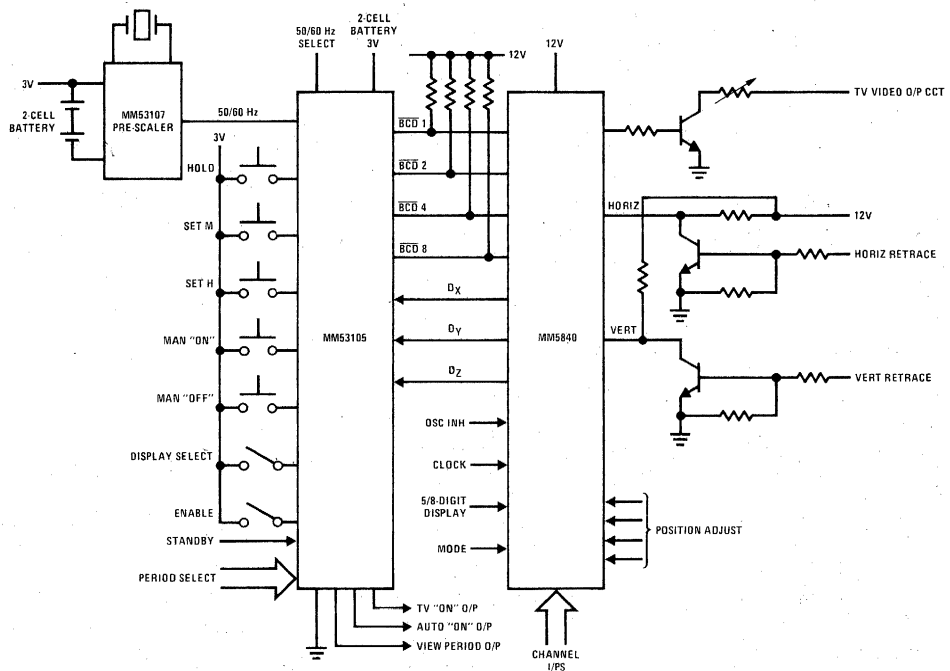


FIGURE 5b. Typical System Diagram, MM53105



## MM57100 TV game circuit general description

The MM57100 TV Game Chip provides all of the logic necessary to generate backgrounds, paddles, ball and digital scoring for three games: Hockey, Tennis and Handball. All games are in color and have sound. The MM57100 was designed for low system cost and is aimed at the high volume consumer marketplace. It generates all the necessary timing (sync, blanking and burst) to interface to a standard TV receiver, and interfaces directly to the antenna terminals of a TV with the addition of a chroma, audio and RF modulator. If mounted directly into a receiver, much of this circuitry can be eliminated. The chip requires the true and complement clocks of 1.0227 MHz (3.579545 MHz ÷ 3.5). *Figure 1* shows a block diagram of a complete TV Game System.

The paddles for the games are controlled by two external RC networks. R and C provides for full screen movement by developing a time delay of about 16.5 ms. For Hockey and Tennis, each of the player paddles can be made to be either large, medium or small in size, thus allowing for handicapping. The size of a player paddle is modified by moving the paddle to either the top or bottom boundary and depressing the game reset button. In Handball, the players can modify the paddles as described above, but both players must use the same size paddle.

Single player "practice," can be created by connecting the two player paddle input lines on the MM57100 to a single external RC network. Single player operation can be achieved for all three games. Thus the MM57100 can actually play six games—three single player games and three dual player games.

The player paddles are divided into nine different areas that define eight angles at which the ball will reflect upon incidence. The top-most area of the player paddle will reflect the ball with the most upward direction, the areas towards the bottom will reflect the ball with the most downward direction. And the very bottom of the paddle will cause the ball to go up at a sharp angle, simulating a "wood" or handle shot. The areas in between will give reflections with less of an angle. There are two areas in the center of the player paddle which will make the ball have zero vertical velocity. The player paddles are transparent in one direction so that in Hockey the ball can rebound off the back wall and pass through the defensive player paddle. The machine paddles in Hockey are also transparent in one direction.

The ball is always served by the player who won the last point. The serve comes about 1.6 seconds from the time of the score and it is served from the paddle. This allows for a more realistic situation: the server can "place" his shot. After four player paddle hits, the ball speeds up to twice the initial velocity. Each time the ball strikes an object, a signal is generated at the audio output for the duration of the frame and one more full frame. When the ball strikes the boundaries or a machine

paddle, it bounces off the object under the rule that the angle of incidence is equal to the angle of reflection. Regardless of the angle that the ball is traveling as it hits the front of the player paddles, it will reflect as a function of which segment it hits.

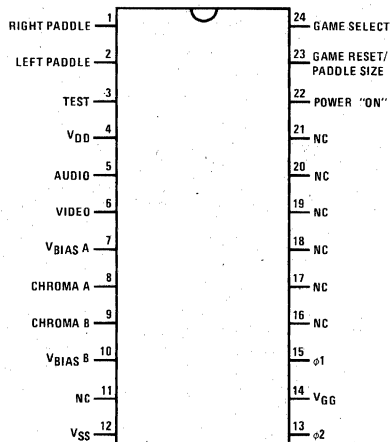
The score is automatically blanked when the ball is put into play. It remains blanked until a miss is recorded and it is then properly incremented and displayed. The game is completed when one of the players reaches 15 points. At this time, the score remains on and the serve is inhibited until the Game Reset is depressed. Both the Game Reset and Game Select inputs are debounced for 16.5 ms.

The video output signal contains horizontal and vertical blanking, horizontal and vertical sync and the black and white information necessary to generate the picture on a TV receiver through the antenna input. The picture is not interlaced. Chroma outputs provide the color and burst information and are properly timed with the video.

## features

- Three games: Hockey, Tennis and Handball
- All games in full color
- Ball speed doubles after fourth hit
- Segmented paddles for automatic ball spin
- Adjustable paddle size/handicapped play
- Automatic digital scoring
- Sound
- Serve from paddles
- Designed to interface with a minimum effort to a standard television receiver

## connection diagram (DIP Top View)



Order Number MM57100N  
See Package 22



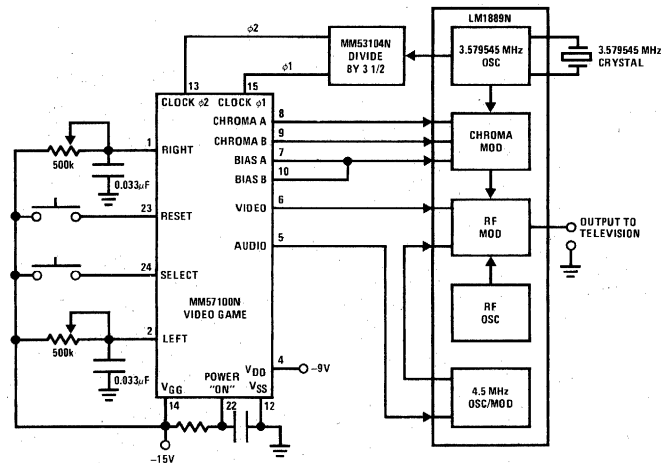


FIGURE 1. Video Game System Diagram

## GAME DESCRIPTION

### Tennis

Tennis consists of a green court with a blue border, a yellow net, orange paddles and a light green ball. It is played by two players who, through the use of their individual controllers, can vertically raise or lower their paddles. Play starts when the machine automatically serves the ball cross court. This can be from either the left or the right. The player who is served must hit the ball back to his opponent, who must then return it.

As the volley begins, the speed of the ball increases once, making it more difficult to return. The speed change occurs on the fourth hit. When either player misses the ball, a point is scored for his opponent and the next serve comes to him after a wait of 1.6 seconds. To increase the play value, the ball can bounce off both the top and bottom walls. In addition, before the play begins, each player can choose a large, medium or small paddle, depending on his playing skill. The paddles are sectioned, giving a "spin" effect to the ball.

The score, which is yellow, is automatically displayed in large, easy-to-read numerals. The score appears when the ball is missed and remains on until the ball is served. Play ends when the first player reaches 15 points. At the end of the game, the score remains on until the game is reset.

### Hockey

Hockey consists of a blue playing field which is surrounded by yellow walls, two yellow player-controlled goalies, six light yellow machine-controlled forwards and a light blue hockey puck.

Hockey, while similar to tennis, is a much faster and more exciting game. Each player controls only his goalie, who moves in a vertical motion. In addition, each player has three forward men who also move vertically. These men are not under player control but move up and down, as a group, automatically. As in tennis, the opening serve comes cross court and can come to either player. Further serves are to the player who has just lost a point.

Since each player has four men who can return the puck, the play is very fast. To make it even more difficult, a point can only be made when the puck slips through either player's goal — a small opening located directly in the middle of the side walls. Since only a small portion of the left and right walls is used for scoring, the puck can essentially rebound off all four walls. Scoring is the same as in tennis — first player to reach 15 is the winner. The score is yellow.

### Handball

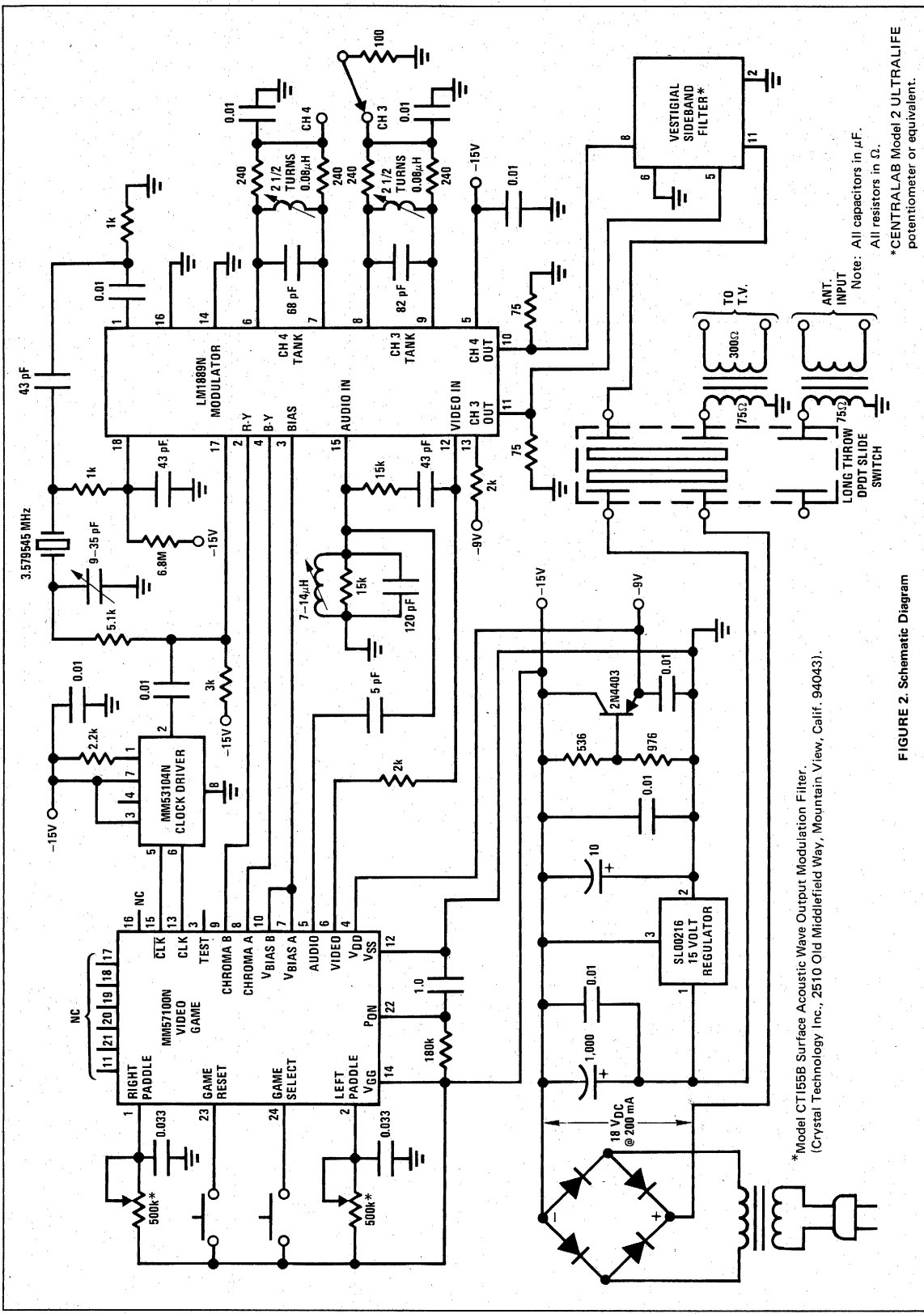
Handball consists of a brown court, two paddles — one blue and one orange, and a yellow ball. It plays identical to tennis except only one player plays at a time and both are on the same side of the court, playing against the opposite wall. After the ball is served, the serving player disappears from the screen and the other player's paddle appears. He must hit it, or he loses the point and the other player serves again. If he hits it, his paddle disappears and the other paddle comes on the screen. The other player must return it to the wall. The object of the game is to keep the ball in play by continuously hitting it to the back court wall. The ball can be reflected off three sides — the top, bottom and right wall. The first player to score 15 is the winner. The score colors match the paddle colors — one blue and one orange.

## SUMMARY

Table 1 describes how the game will appear on a standard 25" TV. The actual appearance will vary somewhat from set to set as a function of color control settings, fine tuning, overscan, etc. Table 2 and Figure 10 define the Chroma Outputs and the approximate color they generate.

## SYSTEM CONFIGURATION

Figure 2 is a detailed schematic of how the MM57100 TV Game Chip would appear in a completed system, including the MMS3104 clock generator and the LM1889 channel modulator.



\*Model CT155B Surface Acoustic Wave Output Modulation Filter.  
 (Crystal Technology Inc., 2510 Old Middlefield Way, Mountain View, Calif. 94043).

FIGURE 2. Schematic Diagram

Note: All capacitors in  $\mu\text{F}$ .  
 All resistors in  $\Omega$ .  
 \*CENTRALAB Model 2 ULTRALIFE  
 potentiometer or equivalent.

dc electrical characteristics  $0^{\circ}\text{C} \leq T_A \leq 75^{\circ}\text{C}$ 

| PARAMETER   |  | CONDITIONS   | MIN            | TYP  | MAX            | UNITS    |
|---|--|--|----------------|------|----------------|----------|
| <b>Operating Supply Voltages</b>                                    |  |  |                |      |                |          |
| $V_{SS} - V_{DD}$   |  | $14.25 \leq V_{SS} - V_{GG} \leq 15.75$  | 8.5            | 9    | 9.5            | V        |
| $V_{SS} - V_{GG}$   |  | $8.5 \leq V_{SS} - V_{DD} \leq 9.5$  | 14.25          | 15   | 15.75          | V        |
| <b>Operating Supply Current</b>                                     |  |  |                |      |                |          |
| $I_{DD}$  |  | $V_{DD} = V_{SS} - 9.5\text{V}$  |                | 35   |                | mA       |
| $I_{GG}$  |  | $V_{GG} = V_{SS} - 15.75\text{V}$  |                | 15   |                | mA       |
| <b>Osc. Input Levels, <math>\phi 1, \phi 2</math></b><br>(Figure 3) |  |  |                |      |                |          |
| $V_{IH}$  | Logical High Level                             |  | $V_{SS} - 0.5$ |      | $V_{SS}$       | V        |
| $V_{IL}$  | Logical Low Level                              |  | $V_{GG}$       |      | $V_{GG} + 0.5$ | V        |
| <b>Chroma A Output Levels</b><br>(Figure 4)                         |  |  |                |      |                |          |
|   |  | $C_L = 50 \text{ pF}, I_{DC} = 0,$<br>$8.5 \leq V_{SS} - V_{DD} \leq 9.5,$<br>(Typical values are for<br>$V_{SS} - V_{DD} = 9\text{V}$ ). All voltages<br>specified with respect to $V_{DD}$ |                |      |                |          |
| $V_{A1}$  | $A1 = 0.465 \times (V_{SS} - V_{DD})$          |  | 3.95           | 4.18 | 4.42           | V        |
| $R_{oA1}$   | Output Impedance                               |  | 900            |      | 2060           | $\Omega$ |
| $V_{A0}$  | $A0 = 0.298 \times (V_{SS} - V_{DD})$          |  | 2.53           | 2.68 | 2.83           | V        |
| $R_{oA0}$   | Output Impedance                               |  | 790            |      | 2060           | $\Omega$ |
| $V_{ABURST}$  | $ABURST = 0.238 \times$<br>$(V_{SS} - V_{DD})$ |  | 1.82           | 1.93 | 2.04           | V        |
| $R_{oABURST}$   | Output Impedance                               |  | 710.0          |      | 2030           | $\Omega$ |
| $V_{A3}$  | $A3 = 0.134 \times (V_{SS} - V_{DD})$          |  | 1.13           | 1.2  | 1.27           | V        |
| $R_{oA3}$   | Output Impedance                               |  | 520.0          |      | 2100           | $\Omega$ |
| <b>Chroma B Output Levels</b><br>(Figure 4)                         |  |  |                |      |                |          |
|   |  | $C_L = 50 \text{ pF}, I_{DC} = 0,$<br>$8.5 \leq V_{SS} - V_{DD} \leq 9.5.$ (Typical<br>values are for $V_{SS} - V_{DD} = 9\text{V}$ ).<br>All voltages specified with respect<br>to $V_{DD}$ |                |      |                |          |
| $V_{B1}$  | $B1 = 0.465 \times (V_{SS} - V_{DD})$          |  | 3.95           | 4.18 | 4.42           | V        |
| $R_{oB1}$   | Output Impedance                               |  | 900            |      | 2060           | $\Omega$ |
| $V_{B0}$  | $B0 = 0.298 \times (V_{SS} - V_{DD})$          |  | 2.53           | 2.68 | 2.83           | V        |
| $R_{oB0}$   | Output Impedance                               |  | 790            |      | 2060           | $\Omega$ |
| $V_{B3}$  | $B3 = 0.134 \times (V_{SS} - V_{DD})$          |  | 1.13           | 1.2  | 1.27           | V        |
| $R_{oB3}$   | Output Impedance                               |  | 520            |      | 2100           | $\Omega$ |
| <b>Chroma A Bias and Chroma B<br/>Bias Output Levels</b>            |  |  |                |      |                |          |
|   |  | $C_L = 50 \text{ pF}, I_{DC} = 0,$<br>$8.5 \leq V_{SS} - V_{DD} \leq 9.5.$ (Typical<br>values are for $V_{SS} - V_{DD} = 9\text{V}$ ).<br>All voltages specified with respect<br>to $V_{DD}$ |                |      |                |          |
| $V_{BIASA}, V_{BIASB}$  | $= 0.298 (V_{SS} - V_{DD})$                    |  | 2.53           | 2.68 | 2.83           | V        |
| $R_{oBIASA}, R_{oBIASB}$  |  |  | 790            |      | 2060           | $\Omega$ |
| <b>Chroma and Chroma Bias Output<br/>Offset Voltages</b>            |  |  |                |      |                |          |
|   |  | $C_L = 50 \text{ pF},  I_{DC}  \leq 50\mu\text{A},$<br>$ I_{CHROMA} - I_{BIAS}  \leq 5\mu\text{A},$<br>$ I_{CHROMAA} - I_{CHROMAB}  \leq 5\mu\text{A}$                                       |                |      |                |          |
| $V_{OS}$  |  |  |                | 10   | 50             | mV       |

dc electrical characteristics (con't)  $0^{\circ}\text{C} \leq T_A \leq 75^{\circ}\text{C}$ 

| PARAMETER  |  | CONDITIONS   | MIN   | TYP      | MAX            | UNITS            |
|--|--|--|---|----------|----------------|------------------|
| <b>Video Output Levels (Figure 5)</b>                          |  | $C_L = 50 \text{ pF}$ , $I_{DC} = 0$ ,<br>$8.5 = V_{SS} - V_{DD} \leq 9.5$ . All voltages<br>specified with respect to $V_{DD}$ . (Typical<br>values are for $V_{SS} - V_{DD} = 9\text{V}$ ) |   |          |                |                  |
| V <sub>SYNC</sub>  | $V_{SYNC} = 0.444 \times$<br>$(V_{SS} - V_{DD})$                               |  | 3.77  | 4        | 4.22           | V                |
| R <sub>oSYNC</sub>   | Output Resistance  |  | 906   |          | 2080           | $\Omega$         |
| V <sub>BLANK</sub>   | $V_{BLANK} = 0.333 \times$<br>$(V_{SS} - V_{DD}) = 0.75 \times$<br>$V_{SYNC}$  |  | 2.83  | 3        | 3.18           | V                |
| R <sub>oBLANK</sub>  | Output Resistance  |  | 835   |          | 2080           | $\Omega$         |
| V <sub>DARK</sub>  | $V_{DARK} = 0.242 \times$<br>$(V_{SS} - V_{DD}) = 0.545 \times$<br>$V_{SYNC}$  |  | 2.06  | 2.18     | 2.30           | V                |
| R <sub>oDARK</sub>   | Output Resistance  |  | 726   |          | 2030           | $\Omega$         |
| V <sub>LIGHT</sub>   | $V_{LIGHT} = 0.148 \times$<br>$(V_{SS} - V_{DD}) = 0.383 \times$<br>$V_{SYNC}$ |  | 1.26  | 1.33     | 1.41           | V                |
| R <sub>oLIGHT</sub>  | Output Resistance  |  | 556   |          | 2040           | $\Omega$         |
| <b>Audio Output Level (Figure 6)</b>                           |  |  | $R_{LOAD} = 100\text{k}$ , $C_{LOAD} = 20 \text{ pF}$ |          |                |                  |
| V <sub>OUT</sub>   | Output Resistance to $V_{DD}$  |  |   | $V_{DD}$ | V              |                  |
| R <sub>o"ON"</sub>   | "ON" Resistance  | $V_{OL} \leq V_{DD} + 0.5$   |   | 1.0      | 5              | $\text{k}\Omega$ |
| R <sub>o"OFF"</sub>  | "OFF" Resistance   | $V_{OH} \geq V_{DD} + 3.0$   | 50  | 500      |                | $\text{k}\Omega$ |
| C <sub>OUT</sub>   |  |  |   | 5        |                | pF               |
| <b>Reset, Test and Game Select<br/>Input Levels</b>            |  |  |   |          |                |                  |
| V <sub>IH</sub>  | Logical High Level   |  | $V_{SS} - 1.5$  |          | $V_{SS}$       | V                |
| V <sub>IL</sub>  | Logical Low Level  |  | $V_{DD}$  |          | $V_{DD} + 2.5$ | V                |
| <b>Paddle 1 and Paddle 2<br/>Input Levels (Figure 7)</b>       |  | $8.5 \leq V_{SS} - V_{DD} \leq 9.5$  |   |          |                |                  |
| V <sub>PI</sub>  | Input Trip Level   |  | $V_{DD} - 0.4$  | $V_{DD}$ | $V_{DD} + 0.4$ | V                |
| V <sub>OH</sub>  | Logical High Output Reset<br>Level   | $R_{LOAD} = 15 \text{ k}\Omega$ to $V_{GG}$ ,<br>$C_{LOAD} = 0.1 \mu\text{F}$ , 10%  | $V_{SS} - 2.5$  |          | $V_{SS}$       | V                |
| <b>Power "ON" Clear Input<br/>Levels (Figure 8) See Note 6</b> |  |  |   |          |                |                  |
| V <sub>CLR</sub>   | Input Trip Level   | $R_{LOAD} = 180\text{k}$ , 10%,<br>$C_{LOAD} = 1 \mu\text{F}$ , 10%  | $V_{DD} - 0.5$  | $V_{DD}$ | $V_{DD} + 0.5$ | V                |
| V <sub>OH</sub>  | Logical High Output<br>Reset Level   |  | $V_{SS} - 2.5$  |          | $V_{SS}$       | V                |
| e <sub>n</sub>   | <b>Noise Levels on Chroma A,<br/>Chroma B, and Video Outputs</b>               | $8.5 \leq V_{SS} - V_{DD} \leq 9.5$ ,<br>$14.25 \leq V_{SS} - V_{GG} \leq 15.75$ ,<br>$C_{LOAD} = 50 \text{ pF}$ , $I_{II} \leq 50 \mu\text{A}$  | -200  |          | 200            | mV               |

**Note 1:** Chroma A, Chroma B and the Chroma bias output levels are specified for dc current = 0. Typical dc loading conditions are  $30 \mu\text{A}$  or less. The resistor network in Figure 9(a) can be used to determine the shift and interaction in outputs for dc load conditions.

**Note 2:** Video output levels are specified for dc current = 0. Any other loading conditions will influence the output levels and the resistor network in Figure 9(b) can be used to calculate output levels. Typical dc currents are  $30 \mu\text{A}$  or less.

**Note 3:** All diffused resistors have a  $\pm 30\%$  tolerance, and tracking of tolerance can be assumed.

**Note 4:** All MOS switch impedances include all variations, i.e., due to process, and supply variations, tracking of MOS switch impedances can be assumed.

**Note 5:** Tracking of diffused resistor tolerances and MOS device tolerances *cannot* be assumed.

**Note 6:** Power On Clear input pin is reset by the MM57100 to the  $V_{OH}$  level near the end of the internal Power On Clear cycle, as shown in Figure 8.

## ac electrical characteristics (0°C to +70°C, except where otherwise noted)

| PARAMETER   | CONDITIONS  | MIN          | TYP          | MAX      | UNITS   |
|---|---|--------------|--------------|----------|---------|
| <b>Osc Inputs, <math>\phi 1</math> and <math>\phi 2</math> Input Frequency (Figure 3)</b> |   |              | 1.0227       |          | MHz     |
| <b>Rise and Fall Times</b>  |   |              |              |          |         |
| $t_r, t_f$  |   |              |              | 40       | ns      |
| $t_{dL1}$   |   |              |              | 10       | ns      |
| $t_\phi$  |   |              | 0.9778       |          | $\mu$ s |
| $t_{pw1}$   |   | 0.405        |              |          | $\mu$ s |
| $t_{pw2}$   |   | 0.380        |              |          | $\mu$ s |
| VOL1  |   | $V_{SS}-1.0$ | $V_{SS}-0.5$ | $V_{SS}$ | V       |
| VOL2  |   | $V_{SS}-2.0$ | $V_{SS}-1.0$ | $V_{SS}$ | V       |
| <b>Chroma A and Chroma B Output Timing (Figure 4)</b>                                     | $C_L = 50$ pF, $I_{DC} \leq 50$ $\mu$ A   |              |              |          |         |
| $t_{rA}$  |   |              | 175          | 225      | ns      |
| $t_{fA}$  |   |              | 175          | 225      | ns      |
| $t_{rB}$  |   |              | 175          | 225      | ns      |
| $t_{fB}$  |   |              | 175          | 225      | ns      |
| $t_{SCB}$   |   |              | 450          |          | ns      |
| $t_{rCB}$   |   |              | 175          |          | ns      |
| $t_{fCB}$   |   |              | 175          |          | ns      |
| $t_{CL1}$   |   |              | 0            |          | ns      |
| $t_{CL2}$   |   |              | 0            |          | ns      |
| $t_{BURST}$   |   |              | 2900         |          | ns      |
| <b>Video Output Timing (Figure 5)</b>   | $C_{LOAD} = 50$ pF, $I_{DC} \leq 50$ $\mu$ A  |              |              |          |         |
| $t_{rv}$  |   |              | 250          | 500      | ns      |
| $t_{fv}$  |   |              | 250          | 500      | ns      |
| $t_{rS}$  |   |              | 250          | 500      | ns      |
| $t_{fS}$  |   |              | 250          | 500      | ns      |
| $t_{rL}$  |   |              | 150          | 225      | ns      |
| $t_{fL}$  |   |              | 150          | 225      | ns      |
| $t_{bp}$  |   |              | 5            |          | $\mu$ s |
| $t_{SYNC}$  |   |              | 4.5          | 4.9      | $\mu$ s |
| $t_{fp}$  |   |              | 1            | 1.25     | $\mu$ s |
| $t_{VIDEO}$   |   |              | 0.97         |          | $\mu$ s |
| $t_{BLANK}$   |   | 10.5         | 11           | 11.9     | $\mu$ s |
| <b>Audio Output Timing (Figure 6)</b>   | $\phi 1, \phi 2$ inputs = 1.0227 MHz,<br>$C_{LOAD} = 20$ pF<br>$I_{DC} \leq 50$ $\mu$ A |              |              |          |         |
| $f_a$ Output Frequency  |   |              | 491          |          | Hz      |
| <b>Audio Tone Duration</b>  |   |              |              |          |         |
| $t_{ON}$  |   | 18.55        |              | 30.25    | ms      |
| $t_{OFF}$   |   |              | 15           |          | $\mu$ s |
| $t_{ra}, t_{fa}$  | $C_{LOAD} = 20$ pF,<br>$R_{EXT} = 120k$ to $V_{SS}$                                     |              | 10           |          | $\mu$ s |
| $t_{ha}$  |   |              | 1            |          | ms      |
| $t_{pwa}$   |   |              | 2.037        |          | ms      |
| <b>Player Paddle Timing (Figure 7)</b>  | $C_{LOAD} = 0.1$ $\mu$ F + 10%,<br>$R_{LOAD} \geq 15$ k $\Omega$ (to $V_{GG}$ )         |              |              |          |         |
| $t_{PH}$ Paddle High (25H)  |   | 1.58         |              |          | ms      |
| $t_{PL}$ Paddle Low (215H)  |   |              |              | 13.7     | ms      |
| $t_{RP}$  |   |              |              | 1.2      | ms      |
| <b>Power "ON" Clear Timing (Figure 8)</b>   | $RC > 138$ ms, $R = 180k$ , 10%;<br>$C = 1$ $\mu$ F, 10%                                |              |              |          |         |
| $t_{dc1}$   |   | 60           |              |          | ms      |
| $t_{POWER}$   |   |              |              | 30       | ms      |

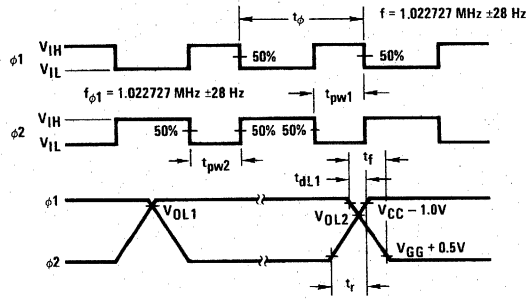


FIGURE 3. Input Clock Waveforms

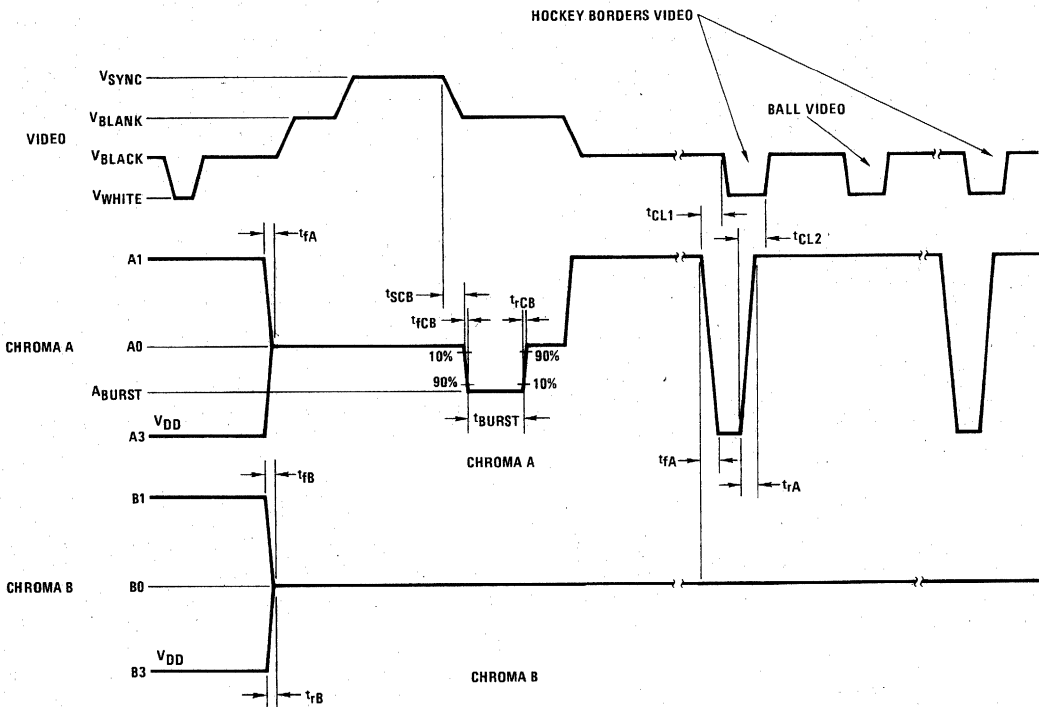
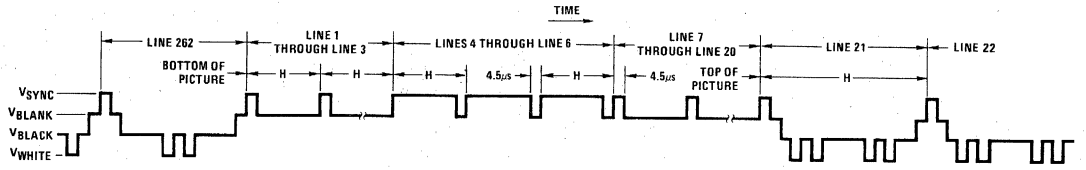


FIGURE 4. Video-Chroma Timing



$H \cong 63.557\mu s$   
 Note: Interlaced scan and equalization pulses are not used.

FIGURE 5(a). Video Output Waveform

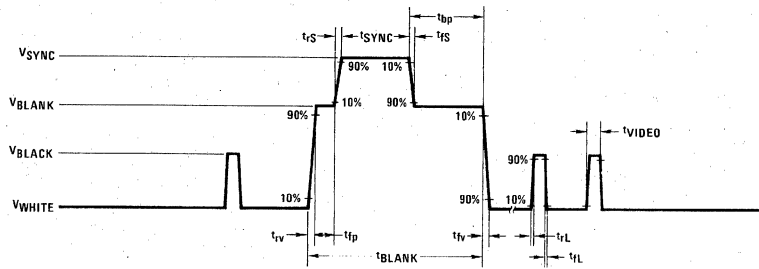


FIGURE 5(b). Composite Video Timing and Levels

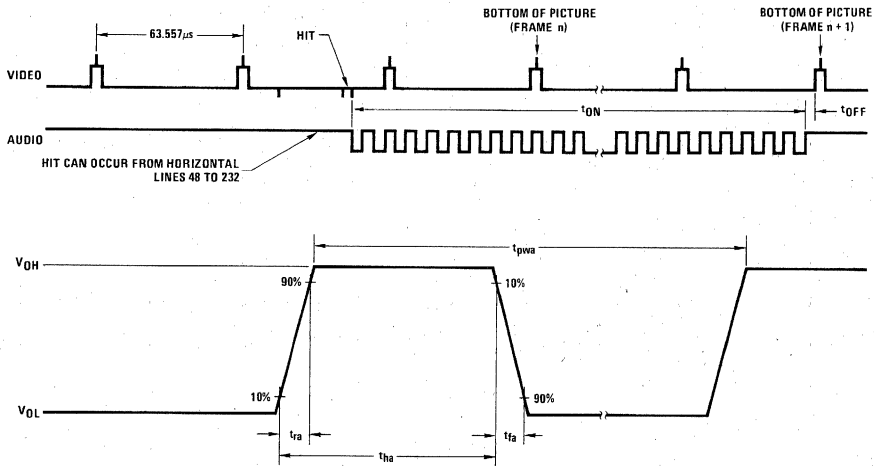


FIGURE 6. Audio Output Timing

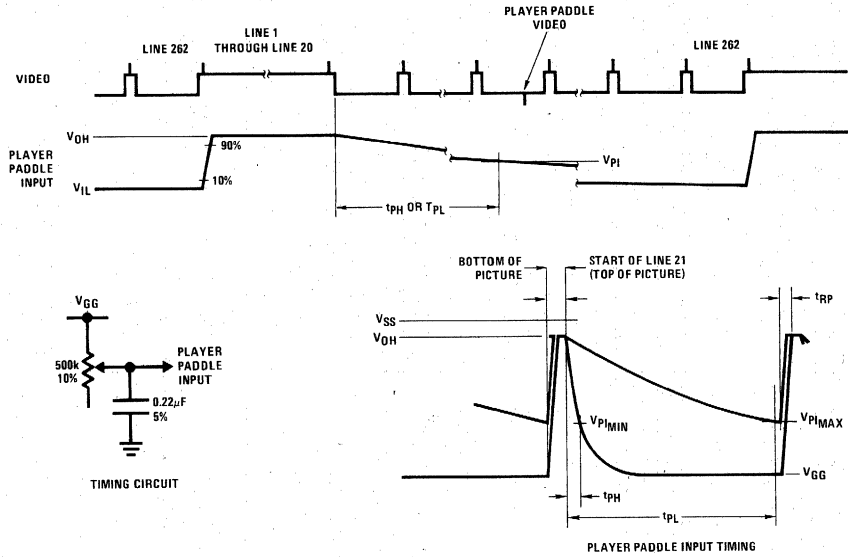


FIGURE 7. Player Paddle Inputs

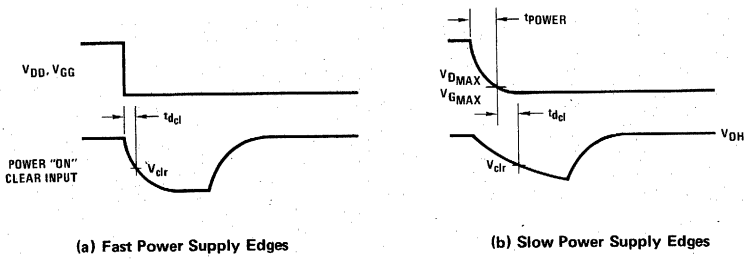


FIGURE 8. Power "ON" Clear Input Timing

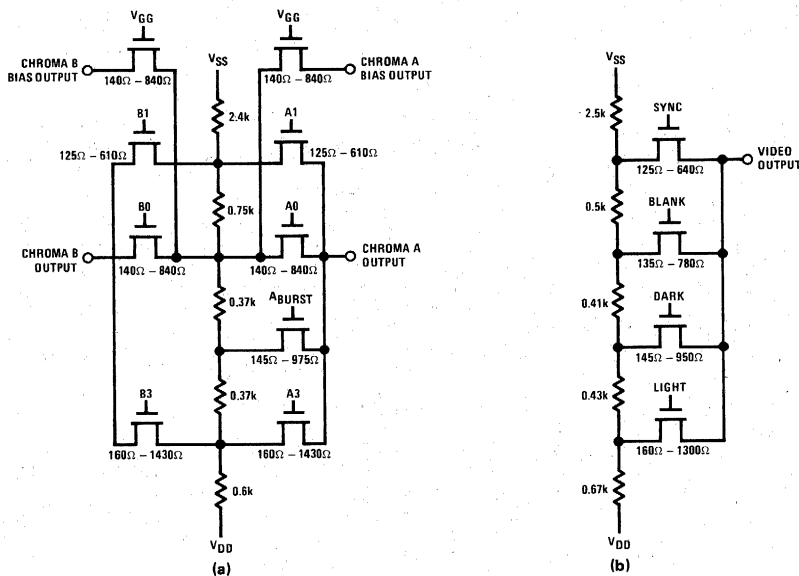


FIGURE 9. Chroma and Video Output Networks (See Notes on Page 4-41)



TABLE I. Game Colors and Size on a 25" TV

| ELEMENT                 | CHROMA OUTPUT | VIDEO OUTPUT | APPR. COLOR | APPR. SIZE                      | COMMENTS  |
|-------------------------|---------------|--------------|-------------|---------------------------------|---|
| Tennis Background       | A1B0          | Light        | Blue        |                                 | Blanked during play   |
| Tennis Field            | A0B3          | Dark         | Cyan        | 13.2 x 16.8 inches <sup>2</sup> |   |
| Tennis Ball             | A0B3          | Light        | Cyan        | 0.5 x 0.5 inches <sup>2</sup>   |   |
| Tennis Score            | A3B0          | Light        | Yellow      | 4 x 5 inches <sup>2</sup>       |   |
| Tennis Net              | A3B0          | Light        | Yellow      | 0.5 x 13.2 inches <sup>2</sup>  |   |
| Tennis Left Player      | A3B1          | Light        | Orange      | 3 sizes                         |   |
| Tennis Right Player     | A3B1          | Light        | Orange      | 3 sizes                         | 2.4, 1.2 or 0.6 inches x 0.5 inches independent of other paddle |
| Handball Background     | A3B0          | Light        | Yellow      |                                 | Blanked during play   |
| Handball Field          | A3B0          | Dark         | Yellow      | 13.2 x 16.8 inches <sup>2</sup> |   |
| Handball Ball           | A3B0          | Light        | Yellow      | 0.5 x 0.5 inches <sup>2</sup>   |   |
| Handball Left Score     | A3B1          | Light        | Orange      | 4 x 5 inches <sup>2</sup>       |   |
| Handball Right Score    | A1B0          | Light        | Blue        | 4 x 5 inches <sup>2</sup>       |   |
| Handball Left Player    | A3B1          | Light        | Orange      | 3 sizes                         |   |
| Handball Right Player   | A1B0          | Light        | Blue        | 3 sizes                         | 2.4, 1.2 or 0.6 x 0.5 inches, same as other paddle              |
| Hockey Background       | A1B0          | Dark         | Blue        |                                 | Blanked during play   |
| Hockey Field            | A1B0          | Dark         | Blue        | 13.2 x 16.8 inches <sup>2</sup> |   |
| Hockey Border           | A3B0          | Light        | Yellow      |                                 |   |
| Hockey Puck             | A1B0          | Light        | Blue        | 0.5 x 0.5 inches <sup>2</sup>   |   |
| Hockey Score            | A3B0          | Light        | Yellow      | 4 x 5 inches <sup>2</sup>       |   |
| Hockey Left Player      | A3B0          | Light        | Yellow      | 3 sizes                         |   |
| Hockey Right Player     | A3B0          | Light        | Yellow      | 3 sizes                         | 2.4, 1.2 or 0.6 x 0.5 inches independent of other paddle        |
| Hockey Machine Forwards | A3B0          | Light        | Yellow      | 0.5 x 0.6 inches <sup>2</sup>   | Hole in the Border  |
| Hockey Goals            | A1B0          | Light        | Blue        | 4.6 x 0.5 inches <sup>2</sup>   |   |

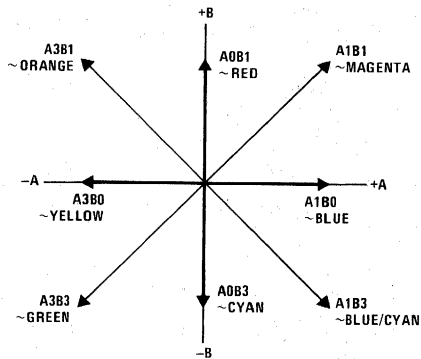


FIGURE 10. Chroma Outputs/Color Phase Diagram

TABLE II. Chroma Outputs vs Approximate Color

| CHROMA A AND CHROMA B OUTPUTS | APPROXIMATE COLOR |
|-------------------------------|-------------------|
| A0, B0                        | Light Gray        |
| A0, B1                        | Red               |
| A0, B3                        | Cyan              |
| A1, B0                        | Blue              |
| A1, B1                        | Magenta           |
| A1, B3                        | Blue Cyan         |
| A3, B0                        | Yellow            |
| A3, B1                        | Orange            |
| A3, B3                        | Green             |
| ABURST, B0                    | Color Burst       |

## DESIGN CONSIDERATION FOR THE PLAYER PADDLE INPUTS

Calculations are based on an input waveform at the "PLAYER PADDLE" input:

$$V_{IN} = V_{IH} + (1 - e^{-t/RC})(V_{GG} - V_{IH})$$

A solution for  $t = RC$  is done, at the input trip point where  $V_{IN} = V_{TRIP} = V_{DD} \pm 0.4V$ , and  $t = t_d$ .

$$RC = \frac{-t_d}{\ln \left[ \frac{V_{GG} - V_{DD} \pm 0.4V}{V_{GG} - V_{IH}} \right]}$$

Over the design range of  $V_{DD}$ ,  $V_{GG}$  and  $V_{IH}$ , the denominator has a range

$$-1.187 \leq \ln(x) \leq -0.5864 \text{ where } x = \frac{V_{GG} - V_{DD} \pm 0.4V}{V_{GG} - V_{IH}}$$

The time delays required vary from a minimum of  $t_{dT} = 1.58$  ms for the player paddle positioned at the top of the screen, to a delay of  $t_{dB} = 13.7$  ms for the player paddle positioned at the bottom of the screen. For these time delays, the ranges of RC are:

$$(RC)_{TMIN} = 1.33 \text{ ms} \leq \frac{t_{dT}}{\ln \left[ \frac{V_{GG} - V_{DD} \pm 0.4V}{V_{GG} - V_{IH}} \right]} \leq (RC)_{TMAX} = 2.69 \text{ ms}$$

for the upper paddle position and

$$(RC)_{BMIN} = 11.54 \text{ ms}; (RC)_{BMAX} = 23.36 \text{ ms}$$

for the lower paddle position.

**Thus, the external RC network must guarantee a minimum RC of 1.33 ms or less and a maximum RC of 23.36 ms or greater.**

Calculations of potentiometer resistance based on a linear pot use the formula:

$$R_{\theta} = \frac{\theta \times R_p}{\theta_{fs}} \pm R_p \cdot L$$

where:  $R_{\theta}$  is the potentiometer tap resistance  
 $\theta$  is the angle of pot rotation beyond 0  
 $\theta_{fs}$  is the full scale rotation of the pot,  $\pm$  tolerance  
 $R_p$  is the full scale resistance of the pot,  $\pm$  tolerance  
 $L$  is the linearity of the pot

Using  $RC = t_d$ , values of  $\theta$  can be calculated for the required extremes using the expression:

$$\theta = \frac{\left( \frac{t_d}{C} \pm R_p \cdot L \right) \theta_{fs}}{R_p}$$

This expression assumes prior selection of  $R_p$ ,  $L$ ,  $\theta_{fs}$ , and  $C$ . This expression can be modified to calculate  $R_p$  or  $C$  if there is any restriction on the upper limit of  $\theta$ .

Mechanical variations, either in the potentiometer or the control housing which affect pot rotation should also be considered.

## TIMING AND LEVEL DEFINITIONS

|                                  |   |
|----------------------------------|---|
| $t_r, t_f$                       | Rise and fall times of $\phi_1$ and $\phi_2$ clock inputs.  |
| $t_{dL1}$                        | Delay from the $V_{SS} - 1V$ point of the $\phi_2$ positive transition to the $V_{SS} - 1V$ point of the $\phi_1$ negative transition.              |
| $t_{\phi}$                       | Clock cycle time.   |
| $tpW1$                           | Time from 50% point on negative edge of $\phi_2$ to the 50% point on the negative edge of $\phi_1$ .  |
| $tpW2$                           | Pulse width of the $\phi_2$ input, at the 50% point.  |
| $VOL1$                           | Crossover point where $\phi_1 = \phi_2$ and $\phi_1$ is on a negative transition.   |
| $VOL2$                           | Crossover point where $\phi_1 = \phi_2$ and $\phi_1$ is on a positive transition.   |
| $t_{rA}, t_{rB}, t_{fA}, t_{fB}$ | Rise and fall times of the chroma A and chroma B outputs.   |
| $t_{SCB}$                        | Delay from start of sync pulse trailing edge to the start of the chroma A output color burst leading edge.  |
| $t_{rCB}, t_{fCB}$               | Rise and fall times of the chroma A output color burst pulse.   |
| $t_{BURST}$                      | Chroma A output color burst pulse width.  |
| $t_{CL1}$                        | Delay from the start of a chroma output negative transition to the start of the VIDEO output (luminance) transition.                                |
| $t_{CL2}$                        | Delay from the start of a chroma output positive transition to the start of the VIDEO output (luminance) transition.                                |
| $t_{rv}, t_{fv}$                 | Rise and fall times of the VIDEO output blanking pulse.   |
| $t_{rS}, t_{fS}$                 | Rise and fall times of the VIDEO output SYNC pulse.   |
| $t_{rL}, t_{fL}$                 | Rise and fall times of the VIDEO output luminance pulses.   |
| $t_{fp}, t_{bp}$                 | Duration of the VIDEO output front porch and back porch.  |
| $t_{SYNC}$                       | Duration of the VIDEO output SYNC pulse.  |
| $t_{VIDEO}$                      | Duration of the VIDEO output luminance pulses.  |
| $t_{BLANK}$                      | Duration of the VIDEO output blanking pulse.  |
| $t_{ON}$                         | Duration of the AUDIO output "HIT" tone burst.  |
| $t_{OFF}$                        | Delay from the end of the AUDIO output "HIT" tone burst to the start of the VIDEO output blanking pulse.  |
| $t_{ra}, t_{fa}$                 | Rise and fall times of the AUDIO output.  |
| $t_{ha}$                         | Width of the AUDIO output tone pulse positive level.  |
| $t_{pwa}$                        | AUDIO output tone cycle time ( $t = 1/f_{AUDIO}$ )  |
| $t_{RP}$                         | Rise time of the PLAYER PADDLE input.   |
| $t_{PH}$                         | Delay time from the top of the picture to the highest player paddle position.   |
| $t_{PL}$                         | Delay time from the top of the picture to the lowest player paddle position.  |
| $t_{dcl}$                        | Delay from point where the power supplies are within the operating spec to the point where the power-on clear input level is less than $V_{CLR1}$ . |
| $t_{POWER}$                      | Fall time of the power supply at turn-on, to 95% point.   |
| $H$                              | One horizontal scan line.   |



Note. SK1115 kit includes: MM57100N,  
MM53104N and LM1889N

## LM1889 TV video modulator

### general description

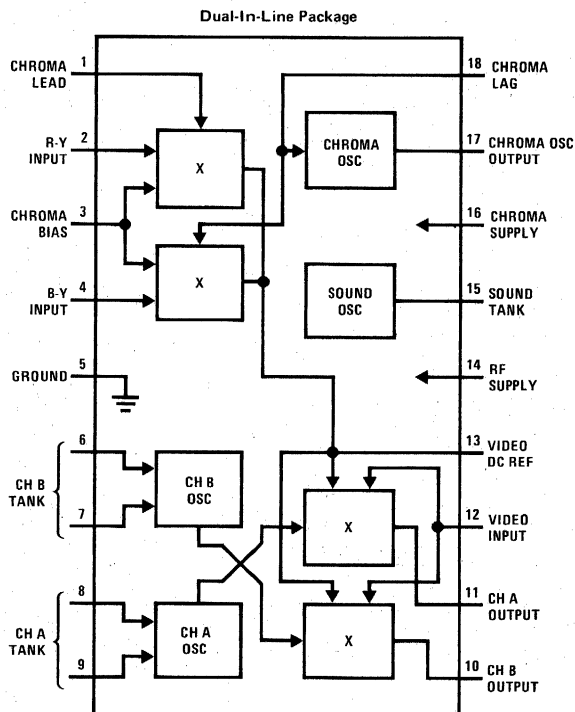
The LM1889 is designed to interface audio, color difference, and luminance signals to the antenna terminals of a TV receiver. It consists of a sound subcarrier oscillator, chroma subcarrier oscillator, quadrature chroma modulators, and R.F. oscillators and modulators for two low-VHF channels.

The LM1889 allows video information from VTR's, games, test equipment, or similar sources to be displayed on black and white or color TV receivers. When used with the MM57100 and MM53104, a complete TV game is formed.

### features

- DC channel switching
- 12V to 18V supply operation
- Excellent oscillator stability
- Low intermodulation products
- 5 Vp-p chroma reference signal
- May be used to encode composite video

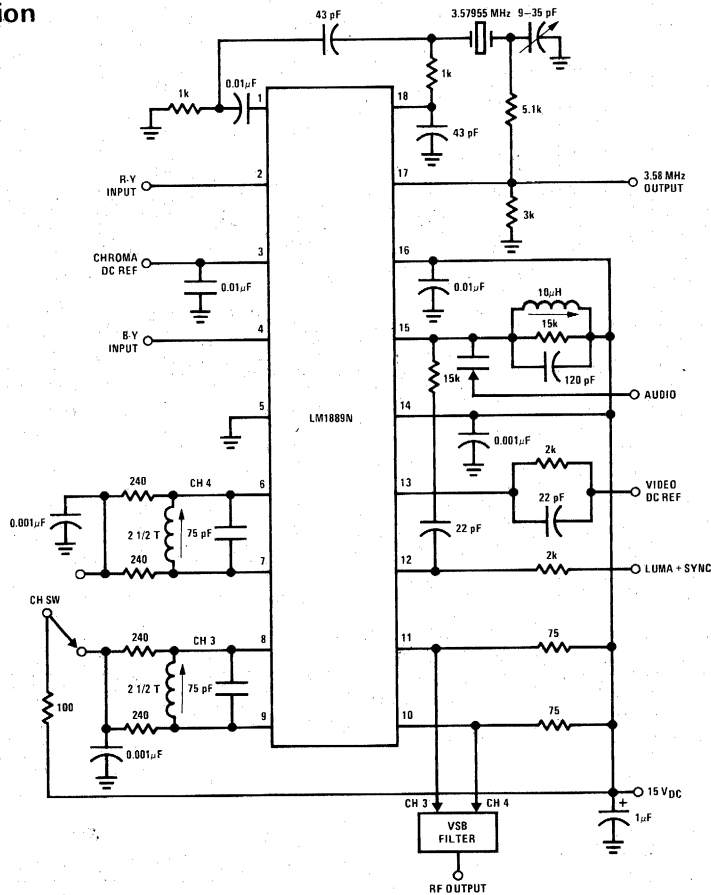
### block diagram



**tentative electrical characteristics** (Applications circuit, V = 15V)

|  | TYP          |
|--|--------------|
| Supply Voltage Range V14, V16          | 12–18 VDC    |
| Total Supply Current $I_{14} + I_{16}$ | 35 mADC      |
| Common-Mode Input Range                |              |
| Chroma Mod. V2, V3, V4                 | 4–10.5 VDC   |
| RF Mod. V12, V13                       | 3.5–11 VDC   |
| Oscillator Levels                      |              |
| Sound Osc V15                          | 3.5 Vp-p     |
| Chroma Osc V17                         | 5 Vp-p       |
| RF Osc V6, V7 or V8, V9                | 300 mVp-p    |
| Chroma Modulator Conversion Gain       |              |
| V13 Out/V4–V3                          | 0.6 Vp-p/VDC |
| V13 Out/V2 – V3                        | 0.6 Vp-p/VDC |
| Residual Chroma Output, V13            | 50 mVp-p     |
| V2 = V3 = V4                           |              |
| RF Modulator Conversion Gain           | 10 mVrms/VDC |

**typical application**





## MM53104 TV game clock generator

### general description

The MM53104 is a monolithic CMOS clock generator designed to generate the 2-phase non-overlapping clocks,  $\phi_1$  and  $\phi_2$ , for the MM57100 TV game chip.

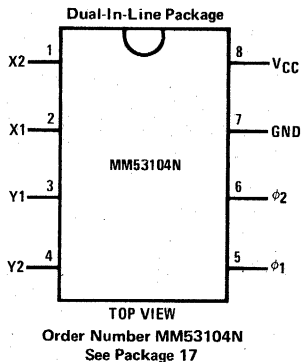
The MM53104 contains two independent oscillator circuits that can either be driven by an external input or be used as a Colpitts-type oscillator (e.g., crystal oscillator). The first oscillator (X1, X2) is designed to operate at 3.58 MHz and the output (X2) is fed internally to a divide-by-3 1/2 counter to generate the 1.0227 MHz  $\phi_1$  and  $\phi_2$  outputs required by the MM57100. The second oscillator (Y1, Y2) is a completely independent oscillator and is designed for a 4.5 MHz operation.

All pins are protected against static damages by diode clamps to both  $V_{CC}$  and ground.

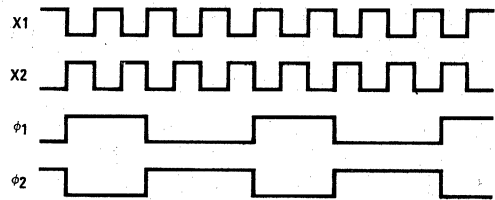
### features

- Directly drives MM57100
- Two on-chip oscillator circuits
- Low power consumption 250 mW typ @ 15V

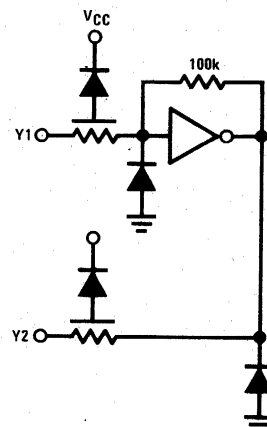
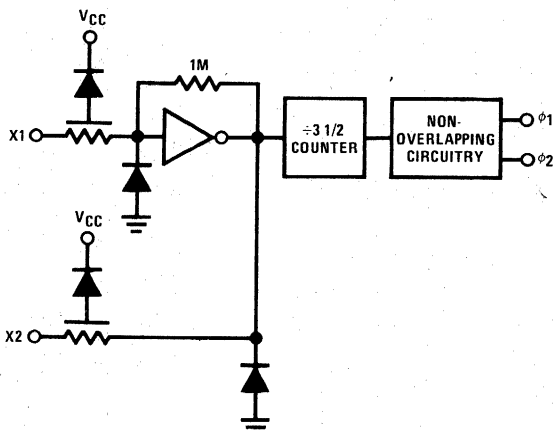
### connection diagram



### timing diagram



### logic diagrams



**absolute maximum ratings** (Note 1)

|  |                          |
|--|--------------------------|
| Voltage at Any Pin                       | -0.3V to $V_{CC} + 0.3V$ |
| $V_{CC}$                                 | -0.3V to 16V             |
| Recommended $V_{CC}$                     | 15V $\pm 5\%$            |
| Operating Temperature Range              | 0°C to +70°C             |
| Storage Temperature Range                | -65°C to +150°C          |
| Package Dissipation                      | 500 mW                   |
| Lead Temperature (Soldering, 10 seconds) | 300°C                    |

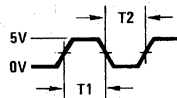
**dc electrical characteristics**  $14.25V \leq V_{CC} \leq 15.75V$ 

| PARAMETER  | CONDITIONS                  | MIN   | TYP | MAX  | UNITS   |
|--|-----------------------------|-------|-----|------|---------|
| $I_{CC}$ Quiescent Current                           | $X1 = Y1 = V_{CC}$          |       |     | 600  | $\mu A$ |
| Operating Current                                    | $Y1 = GND$                  |       | 15  |      | mA      |
| $V_{OH}$ Output High Level, $\phi_1$ or $\phi_2$     | $V_{CC} = 15V$              | 14.95 |     |      | V       |
| $V_{OL}$ Output Low Level, $\phi_1$ or $\phi_2$      | $V_{CC} = 15V$              |       |     | 0.05 | V       |
| $I_{OH}$ Output Source Current, $\phi_1$ or $\phi_2$ | $V_{CC} = 15V, V_O = 13.5V$ | -7.0  |     |      | mA      |
| $I_{OL}$ Output Sink Current, $\phi_1$ or $\phi_2$   | $V_{CC} = 15V, V_O = 1.5V$  | 11.0  |     |      | mA      |

**ac electrical characteristics**  $V_{CC} = 15V, C_L = 15 pF$ , all limits apply across temperature.

| PARAMETER   | CONDITIONS | MIN            | TYP            | MAX | UNITS |
|---|------------|----------------|----------------|-----|-------|
| $T_R$ Rise Time of $\phi_1$ or $\phi_2$                   |            |                | 15             | 30  | ns    |
| $T_F$ Fall Time of $\phi_1$ or $\phi_2$                   |            |                | 15             | 30  | ns    |
| $TPW_{\phi_1+}$ Positive Pulse Width of $\phi_1$          |            | 410            | 455            | 510 | ns    |
| $TPW_{\phi_1-}$ Negative Pulse Width of $\phi_1$          |            | 470            | 520            | 570 | ns    |
| $TPW_{\phi_2+}$ Positive Pulse Width of $\phi_2$          |            | 510            | 570            | 600 | ns    |
| $TPW_{\phi_2-}$ Negative Pulse Width of $\phi_2$          |            | 380            | 410            | 470 | ns    |
| $TW_{\phi_2-}$ Effective Negative Pulse Width of $\phi_2$ |            | 405            | 440            |     | ns    |
| $T_{dL1}$ $\phi_1$ Overlapping $\phi_2$ Time              |            |                | -13            | 5   | ns    |
| $T_{dL2}$ $\phi_2$ Overlapping $\phi_1$ Time              |            |                | -2             | 10  | ns    |
| $V_{OL1}$ $\phi_1$ Cross-Over $\phi_2$ Voltage            |            | $V_{CC} - 1.0$ | $V_{CC}$       |     | V     |
| $V_{OL2}$ $\phi_2$ Cross-Over $\phi_1$ Voltage            |            | $V_{CC} - 2.0$ | $V_{CC} - 0.8$ |     | V     |

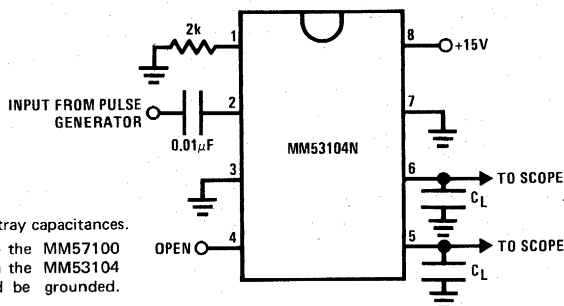
**Note 1:** "Absolute Maximum Ratings" are those values beyond which the safety of the device cannot be guaranteed. Except for "Operating Temperature Range" they are not meant to imply that the devices should be operated at these limits. The table of "Electrical Characteristics" provides conditions for actual device operation.

**ac test circuit**

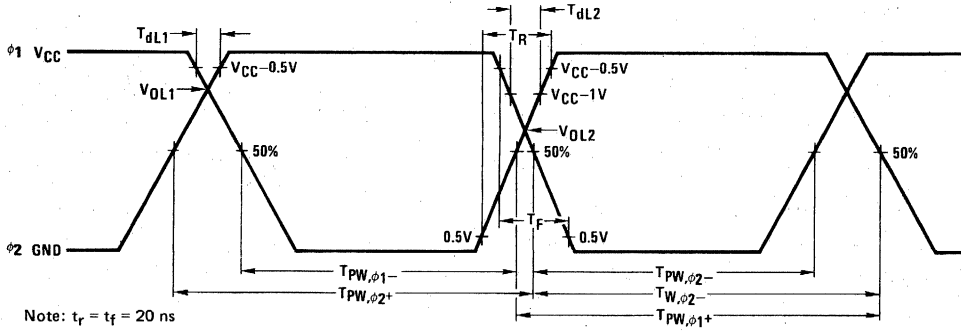
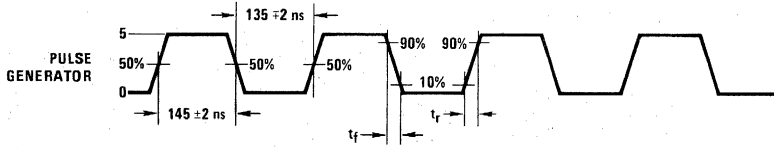
$T_1 = 145 \text{ ns}$   
 $T_2 = 135 \text{ ns}$   
 $t_r = t_f = 20 \text{ ns}$

$C_L = 15 \text{ pF}$  including scope probe and all stray capacitances.

Note: When the MM53104 is used with the MM57100 and LM1889, the 4.5 MHz oscillator in the MM53104 is not needed and thus pin 3 should be grounded.



switching time waveforms





MM58106 digital clock and TV display circuit

general description

The MM58106 is a monolithic CMOS integrated circuit which generates a display of channel number and time on the television screen. The circuit can either display channel number (2-83) or program number (1-16). Time display can be 4 or 6-digit, in either 12 or 24-hour mode. Timekeeping is controlled from a 50 Hz or 60 Hz input. The position of the display on the TV screen is controlled by adjusting the external RC time constants.

The circuit is packaged in a 28-lead dual-in-line epoxy package.

features

- Single chip clock and display
- 12 or 24-hour operation
- 5 or 8-digit time display
- Channel or program number display
- 50/60 Hz operation
- Channel and time display on channel change

block diagram

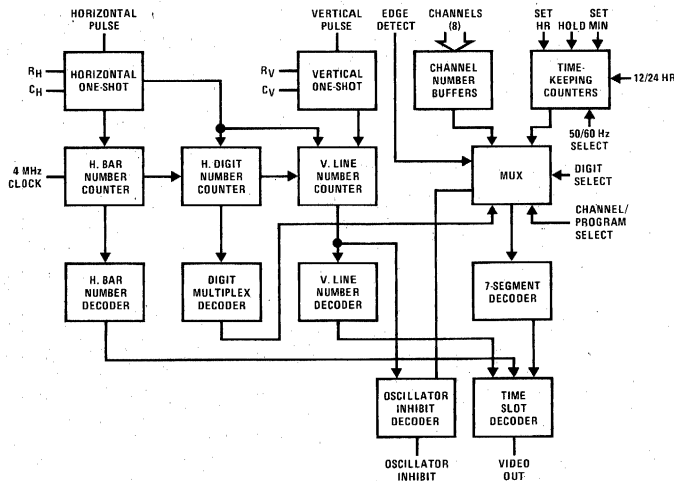


FIGURE 1

connection diagram

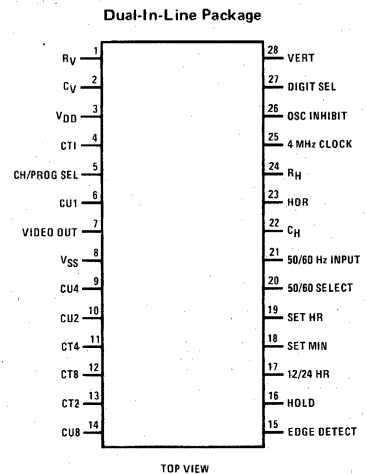


FIGURE 2

Order Number MM58106N  
See Package 23



**absolute maximum ratings**

|  |                                   |
|--|-----------------------------------|
| Supply Voltage ( $V_{DD} - V_{SS}$ )     | 5.5V                              |
| Voltage at Any Pin                       | $V_{SS} - 0.3V$ to $+5.5V$        |
| Operating Temperature                    | $0^{\circ}C$ to $+70^{\circ}C$    |
| Storage Temperature                      | $-55^{\circ}C$ to $+150^{\circ}C$ |
| Lead Temperature (Soldering, 10 seconds) | $300^{\circ}C$                    |

**electrical characteristics**  $V_{DD} = 5V$ ,  $V_{SS} = 0V$ , unless otherwise specified

| PARAMETER   | CONDITIONS                                       | MIN          | TYP        | MAX          | UNITS         |
|---|--|--------------|------------|--------------|---------------|
| Power Supply Voltage, $V_{DD}$  | $V_{SS} = 0$                                     | 4.75         | 5          | 5.25         | V             |
| Power Supply Current  |  |              |            | 800          | $\mu A$       |
| Input Voltage Levels  |  |              |            |              |               |
| Channel Inputs  |  |              |            |              |               |
| Logical Low   |  | $V_{SS}-0.3$ | $V_{DD}-5$ | $V_{DD}-4.5$ | V             |
| Logical High  |  | $V_{DD}-0.3$ | $V_{DD}$   | $V_{DD}+0.3$ | V             |
| Horizontal and Vertical Inputs  |  |              |            |              |               |
| Logical Low   |  | $V_{SS}-0.3$ | $V_{DD}-5$ | $V_{DD}-4.5$ | V             |
| Logical High  |  | $V_{DD}-0.3$ | $V_{DD}$   | $V_{DD}+0.3$ | V             |
| Set Mins, Set Hours, Hold, 12/24-Hour Select, 50/60 Hz Select, Channel/Program Select | Internal Pull-Up Resistor to $V_{DD}$ (600k Min) |              |            |              |               |
| Logical Low   |  | $V_{SS}-0.3$ | $V_{SS}$   | $V_{SS}+0.3$ | V             |
| Logical High  |  |              | Open       |              |               |
| All Others  |  |              |            |              |               |
| Logical Low   |  | $V_{SS}-0.3$ | $V_{SS}$   | $V_{SS}+0.3$ | V             |
| Logical High  |  | $V_{DD}-0.3$ | $V_{DD}$   | $V_{DD}+0.3$ | V             |
| Input Frequency   |  |              |            |              |               |
| 4 MHz Clock   |  | 1            | 4          | 4.5          | MHz           |
| Horizontal  | Pulse Width = $14 \mu s$                         |              | 15.75      |              | kHz           |
| Vertical  | Pulse Width = 1 ms                               |              | 60         |              | Hz            |
| Output Voltage Levels   |  |              |            |              |               |
| Oscillator Inhibit and Video Output   |  |              |            |              |               |
| Logical Low   |  | $V_{SS}-0.3$ | $V_{SS}$   | $V_{SS}+0.9$ | V             |
| Logical High  |  | $V_{DD}-0.5$ | $V_{DD}$   | $V_{DD}+0.3$ | V             |
| One-Shot Output Pulse Duration  |  |              |            |              |               |
| Horizontal  |  |              | 50         |              | $\mu s$       |
| Vertical  |  |              | 13         |              | ms            |
| Output Drive  |  |              |            |              |               |
| Video Output  |  |              |            |              |               |
| Logical Low   | $V_{SS} + 1V$                                    | (-1)         |            |              | mA            |
| Logical High  | $V_{DD} - 1V$                                    | 1            |            |              | mA            |
| Oscillator Inhibit Output   |  |              |            |              |               |
| Logical Low   | Output Forced Up to $V_{DD}-4.5V$                | (-2)         |            |              | mA            |
| Logical High  | $V_{DD} - 1V$                                    | 0.2          |            |              | mA            |
| External RC   |  |              |            |              |               |
| $C_{VERTICAL}$  |  |              | 0.1        |              | $\mu F$       |
| $C_{HORIZONTAL}$  |  |              | 0.001      |              | $\mu F$       |
| $R_{VERTICAL}$  |  |              | 100        |              | $k\Omega$ pot |
| $R_{HORIZONTAL}$  |  |              | 100        |              | $k\Omega$ pot |
| Propagation Delay Oscillator Inhibit Output   | From Input Clock to Oscillator Inhibit Output    |              |            | 2            | clock pulses  |
| Input Leakage   |  |              |            | 1            | $\mu A$       |
| Input Capacitance   |  |              |            | 5            | pF            |
| Edge Detect Pulse Duration  | $C = 2 \mu F$ , $R = 1 M\Omega$                  |              | 2          |              | sec           |

## functional description

A block diagram of the MM58106 TV timer is shown in *Figure 1*. A connection diagram is shown in *Figure 2*. Unless otherwise indicated, the following discussions are based on *Figure 1*.

**50 or 60 Hz Input:** This input has a shaping circuit which allows using a filtered sinewave input. A simple RC filter such as shown in *Figure 4* should be used to remove possible line voltage transients that could either cause the clock to gain time or damage the device. The input should swing between  $V_{SS}$  and  $V_{DD}$ . The shaper output drives a counter chain which performs the timekeeping function.

Alternatively, in a crystal controlled battery operated system, an oscillator and prescaler circuit such as the MM5369 could be used as a timebase.

**50 or 60 Hz Select Input:** This input programs the prescale counter to divide by either 50 or 60 to obtain a 1 pps timebase. The counter is programmed for 60 Hz operation by connecting this input to  $V_{SS}$ . An internal 1 M $\Omega$  pull-up resistor is common to this pin; simply leaving this input unconnected programs the clock for 50 Hz operation.

**Time Setting Inputs:** Inputs to set hours and set minutes as well as a hold input, are provided. Internal 1 M $\Omega$  pull-up resistors provide the normal timekeeping function. Switching any one of these inputs (one at a time) to "0" results in the desired time setting function. Set Hours advances hours information at 1 hour per second, and Set Minutes advances minutes information at one minute per second, without roll over into the hours counter. The hold input stops the clock to the minutes counter and resets the seconds counter.

**Display Control:** The channel number and time display circuits operate from the 4 MHz input clock frequency. The horizontal and vertical position of the display is controlled by adjusting the external RC time constants ( $R_H$ ,  $C_H$ ,  $R_V$ ,  $C_V$ ).

These monostables are triggered by the horizontal and vertical retrace signals as shown in the timing diagram in *Figure 3*.

A 7-segment decoder is used to decode either channel inputs or time. Also a time slot decoder is employed to decode the appropriate time slot and the digit to be displayed. It generates a video output signal that can modulate the sweep of the television tube for the on-screen display.

**Channel/Program Number Select:** This control pin has a pull-up resistor to  $V_{DD}$  and, with the input open, the chip will accept a binary plus 1 code on the CU1 to CU8 inputs and display the program number. For example, an input code of 0000 will indicate channel 1 and 1111 will indicate channel 16.

With this input at "0", inputs CU1 to CU8 and CT1 to CT8 will accept BCD inputs for channel units and channel tens respectively, and display channels 2-83.

**Edge Detect:** On program change, the time and number will be displayed for a period depending on the external capacitor and resistor connected to the Edge Detect pin (*Figure 4*).

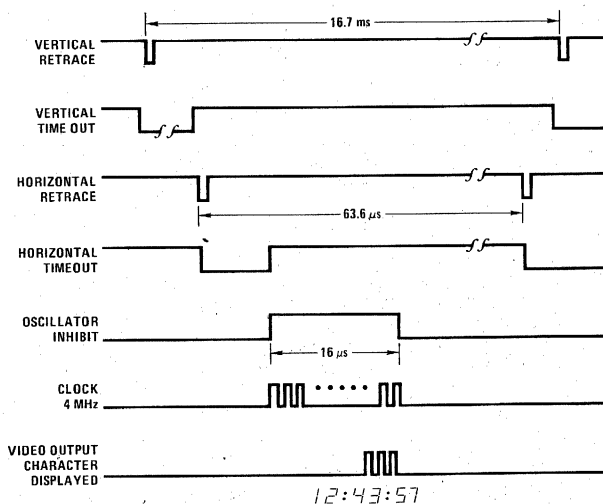


FIGURE 3. Timing Diagram

typical applications

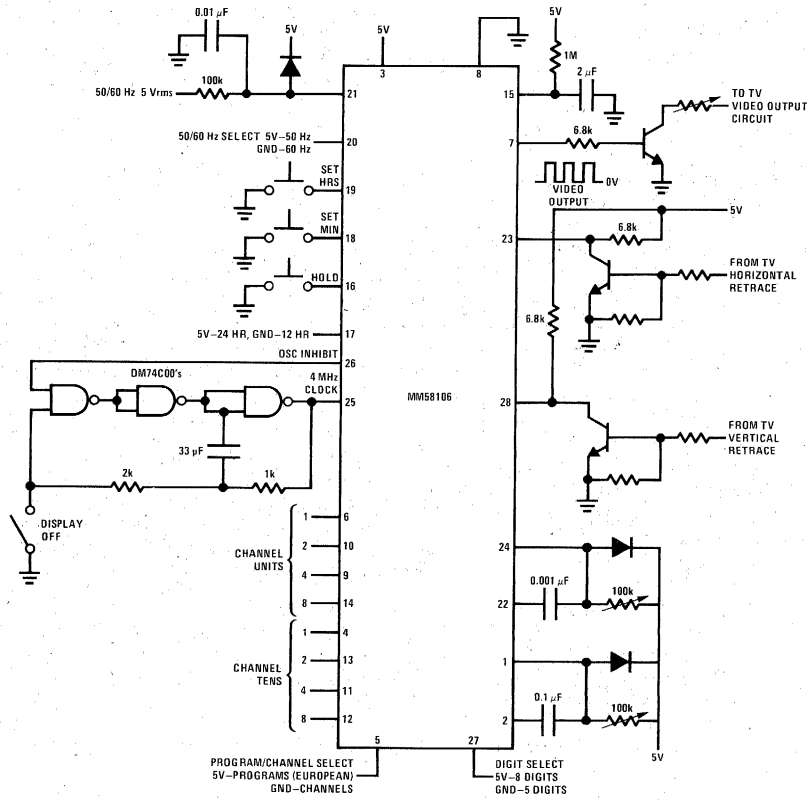


FIGURE 4.

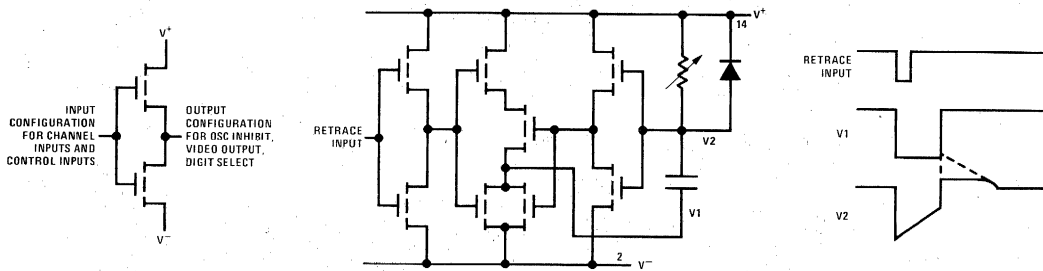
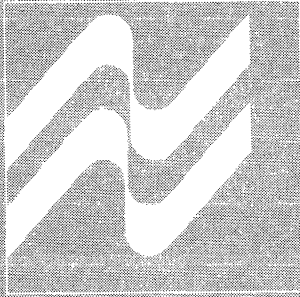


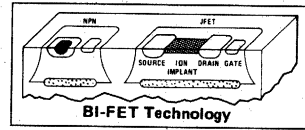
FIGURE 5. Horizontal and Vertical One-Shot Circuit



**SECTION 5**  
**ANALOG TO DIGITAL**  
**(A/D) CONVERTERS**



# Analog to Digital (A/D) Converters



## LF13300 integrating A/D analog building block

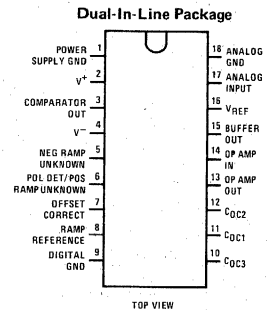
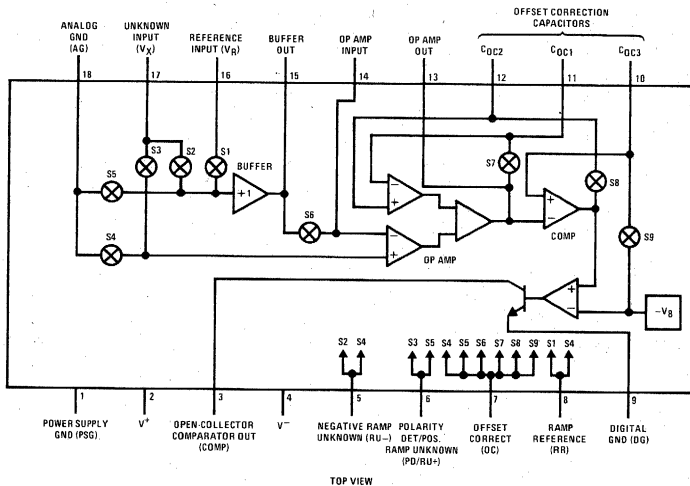
### general description

The LF13300 is the analog section of a precision integrating analog to digital (A/D) system. JFET and bipolar transistors (BI-FET) are combined on the same chip to provide a high input impedance unity gain buffer, comparator and integrator, along with 9 JFET analog switches. The LF13300 has sufficient accuracy to construct up to a 4 1/2-digit Digital Panel Meter (DPM) or up to 14-bit (plus sign) Data Acquisition System and is specifically designed for use with either the MM5330 BCD digital building block or the MM5863 12-bit binary building block.

### features

- Rugged JFETs allow blow-out free handling
- High input impedance  $> 1000 \text{ M}\Omega$
- Automatic offset correction
- Analog circuitry can be physically and electrically isolated from high noise digital circuits
- Analog input range of  $\pm 11\text{V}$  with  $\pm 15\text{V}$  supplies
- Wide power supply voltage range  $\pm 5\text{V}$  to  $\pm 18\text{V}$
- TTL and CMOS compatible logic
- Can interface directly with microprocessors
- Versatile: can be used as a 12-bit plus sign binary A/D, 4 1/2-digit, 3 3/4-digit and 3 1/2-digit Digital Panel Meter (DPM)
- Low cost

### block and connection diagrams



Order Number LF13300N  
See Package 20

**absolute maximum ratings**

|  |                 |
|--|-----------------|
| Supply Voltage                           | ±18V            |
| Power Dissipation (Note 1)               | 570 mW          |
| Operating Temperature Range              | 0°C to +70°C    |
| Junction Temperature                     | 110°C           |
| Storage Temperature Range                | -65°C to +150°C |
| Lead Temperature (Soldering, 10 seconds) | 300°C           |

**electrical characteristics** ( $V_S = \pm 15V$ ,  $T_A = 25^\circ C$ , unless otherwise noted)

| PARAMETER                                 | CONDITIONS   | MIN   | TYP  | MAX  | UNITS |
|---|--|-------|------|------|-------|
| Analog Input Current, $I_{IN}$            | $V_X = 0$ , Currents into Pins 17 and 18, Test Circuits 1 and 2                      |       | 50   | 500  | pA    |
| Analog Input Voltage Range                | $V_X$ adjusted until $ I_{IN}  \geq 10$ nA, Test Circuits 1 and 2                    | ±11   | ±12  |      | V     |
| Analog Input Resistance                   | $V_X = 0V$ , Test Circuits 1 and 2   |       | 1000 |      | MΩ    |
| Reference Input Currents, $I_R$           | $V_R = 10V$ , Current into Pin 16, Test Circuit 3                                    |       | 100  | 1000 | pA    |
| Reference Input Voltage Range             | $V_R$ Adjusted until $ I_R  \geq 10$ nA, Test Circuit 3                              | 0     |      | 11   | V     |
| Reference Input Resistance                | $V_R = 10V$ , Test Circuit 3   |       | 500  |      | MΩ    |
| Offset Correction Voltage, $-V_B$         | Test Circuit 4   |       | -12  |      | V     |
| Offset Correction Input Current, $I_{OC}$ | Test Circuit 5   |       | 200  | 2000 | pA    |
| Op Amp Slew Rate                          | Test Circuit 6   |       | 10   |      | V/μs  |
| Op Amp Bandwidth                          | Test Circuit 7   |       | 3    |      | MHz   |
| Buffer Slew Rate                          | Test Circuit 9   |       | 25   |      | V/μs  |
| Comparator Response Time                  | 200 μV Input Step, 100 μV Overdrive, Test Circuit 11                                 |       | 2.5  |      | μs    |
| Comparator Output Saturation Voltage      | $V_{CC} = 5V$ , $R_L = 2k$ , $0^\circ C \leq T_A \leq +70^\circ C$ , Test Circuit 11 |       | 0.2  | 0.4  | V     |
| Logic "1" Input Voltage                   |  | 2.0   |      | 6    | V     |
| Logic "0" Input Voltage                   | All Switching Input Pins 5, 6, 7 and 8, $0 \leq T_A \leq +70^\circ C$                | -5    |      | 0.8  | V     |
| Logic Input Current                       |  |       | 2    | 20   | μA    |
| Power Supply Voltage Range, $\pm V_S$     | $V_R \leq V^+ - 3V$ , $V_{IN} = 0V$<br>$\pm V_S$ is Variable                         | ±4.75 |      | ±18  | V     |
| Power Supply Currents, $\pm I_S$          |  |       | ±4   | ±11  | mA    |

**Note 1:** For operating at elevated temperatures, the LF13300 in the DIP package must be derated based on the thermal resistance of 100°C/W junction to ambient.

5

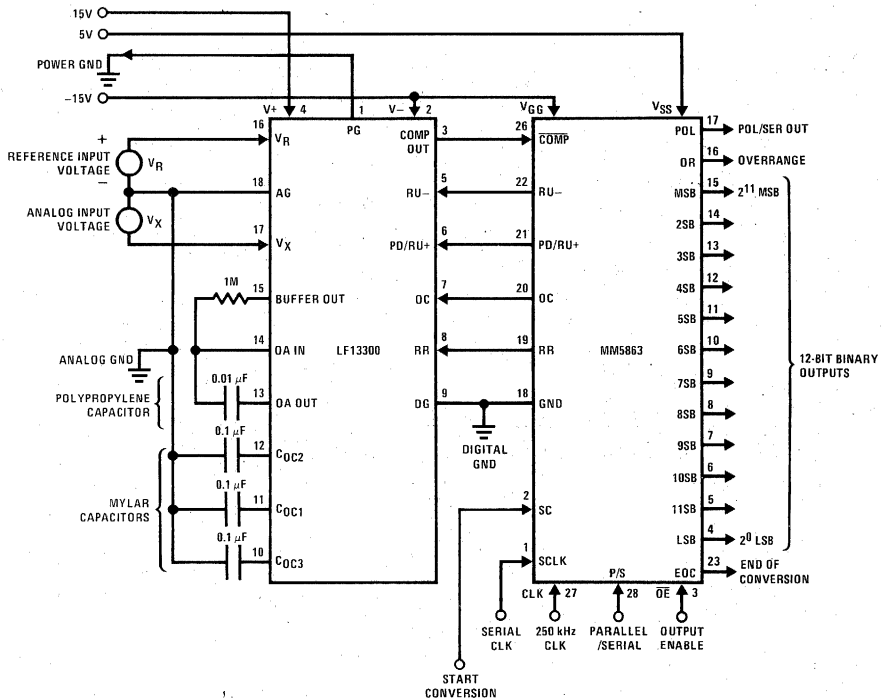
**electrical characteristics**

12-bit plus sign A/D converter system characteristics. (LF13300 with MM5863). (Circuit configured as in Figure 1,  $V_R = 10.000V$ ,  $0^\circ C \leq T_A \leq +70^\circ C$  unless otherwise noted.)

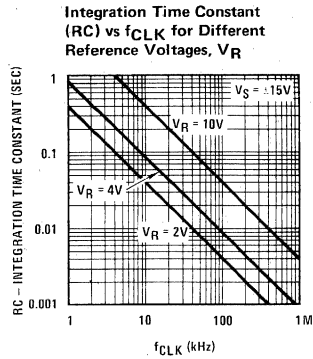
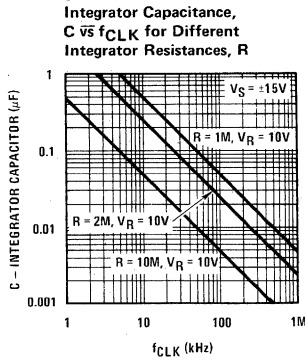
| PARAMETER                       | CONDITIONS   | MIN      | TYP       | MAX       | UNITS           |
|---------------------------------|--|----------|-----------|-----------|-----------------|
| Resolution                      | $V_R = 5.000V$ , $-10V \leq V_X \leq +10V$         | 14       |           |           | Bits            |
| Nonlinearity                    |  |          | $\pm 1/8$ | $\pm 1/2$ | LSB             |
| Differential Nonlinearity       |  |          | $\pm 1/8$ | $\pm 1/2$ | LSB             |
| Ratiometric Gain Error          | $V_X = \pm 10.000V$ , $T_A = 25^\circ C$           |          | $\pm 1/2$ | $\pm 2$   | LSB             |
| Gain Error Drift                | $V_X = 10.000V$                                    |          | $\pm 1$   |           | ppm/ $^\circ C$ |
| Zero Reading Drift              | $V_X = 0V$   |          | $\pm 0.5$ |           | ppm/ $^\circ C$ |
| Analog Input Voltage Range      |  | $\pm 11$ | $\pm 12$  |           | V               |
| Analog Input Leakage Current    | $T_A = 25^\circ C$ , $V_X = 0V$                    |          | 50        | 500       | $\mu A$         |
| Analog Input Resistance         | $T_A = 25^\circ C$ , $V_X = 0V$                    |          | 1000      |           | $M\Omega$       |
| Reference Input Voltage Range   | $T_A = 25^\circ C$ , $V_R$ Varied                  | 0        |           | 12        | V               |
| Reference Input Leakage Current |  |          | 100       | 1000      | $\mu A$         |
| Reference Input Resistance      | $T_A = 25^\circ C$ , $V_R = 10.000V$               |          | 500       |           | $M\Omega$       |
| Conversion Time                 | $V_{IN} = 10.000V$ , $F_C = 250$ kHz               |          |           | 36        | ms              |
| 15V Supply Currents             | LF13300, $V^+$ Current                             |          | 4         | 11        | mA              |
| -15V Supply Currents            | LF13300, $V^-$ Current,<br>MM5863 $V_{GG}$ Current |          | 27        | 44.8      | mA              |
| 5V Supply Currents              | $V_{IN} = 0V$ , MM5863, $V_{SS}$ Current           |          | 23        | 38.5      | mA              |

**ac test circuits**

Test Circuit 12  
12-Bit A/D Converter



## typical performance characteristics



## functional description

The LF13300 goes through the following 5 states during normal cycle: 1) Offset Correction; 2) Polarity Determination; 3) Initialization; 4) Ramp Unknown; 5) Ramp Reference.

### Offset Correction Description (Figure 1)

The Offset Correction scheme will drive the input of the comparator to its switching threshold when the analog input is zero and the timing components, RC, are bypassed.

The Offset Correction input (OC) is driven high, closing switches S4–S9.

The offset voltages are assigned as follows:  $V_{OS1}$  – the input offset voltage of the buffer;  $V_{OS2}$  – the input offset voltage of A1;  $V_{OS3}$  – the input offset voltage of A2;  $V_{OS4}$  – the input offset voltage of the comparator.

S5 grounds the input of the buffer so that its output voltage is simply  $V_{OS1}$ . S6 bypasses R to keep the integration time constant, RC, from affecting the circuit operation. S4 makes the total equivalent input voltage to A1 be  $-V_{OS1} - V_{OS2}$ . S7 puts the op amp in a unity gain configuration with respect to the input of A2. S8 keeps the output voltage of the op amp at  $-V_B + V_{OS4} = -V_B'$  (the Offset Correction potential) since the comparator is placed inside the loop. C3 samples the output of the  $-V_B$  generator. The voltage at the non-inverting input of A2 is  $-V_B + V_{OS1} + V_{OS2} + V_{OS3} + V_{OS4} = V_1$ . Thus, the sum of the offsets is stored on C1, and the differential voltage across the comparator is zero.

### Polarity Determination (Figure 2)

The simplified diagram of the LF13300 in the Polarity Determination state is shown in Figure 3. S5 and S3 are closed during this period. S5 grounds the buffer input and  $V_X$  (the unknown voltage) is applied through S3 to the non-inverting input of A1. The equation that describes the op amp output voltage is given in Figure 3. When  $V_X$  is applied to A1 at  $t_1$ , the output of the op amp slews to  $V_X$  and is integrated until  $t_2$ , when S3 opens and S4 closes. This causes  $V_{OUT}$  to slew down

by  $-V_X$  leaving  $\frac{1}{RC} \int_{t_1}^{t_2} V_X dt - V_B'$  on the output

of the op amp. The comparator output goes high if  $V_X > 0$  and remains low if  $V_X \leq 0$ .

### Initialization (Figure 1)

During initialization, the LF13300 is configured the same way as it is in the Offset Correction state and the op amp output is brought back to the Offset Correction potential  $-V_B'$ .

### Ramp Unknown (Figures 2 and 3)

In the Ramp Unknown state, if  $V_X \geq 0$ , S3 and S5 are closed, as shown in Figure 2, and  $V_X$  is applied to the + input of the integrator. If  $V_X \leq 0$  and the LF13300 is connected as in Figure 3 with S2 and S4 closed,  $V_X$  is now applied through the buffer to the – input of the integrator. In either Ramp Unknown case, the op amp output ramps in the positive direction and  $V_X$  is applied to a high impedance JFET input.



**functional description** (Continued)

**Ramp Reference (Figure 4)**

In this state, the LF13300 is configured with switches S1 and S4 closed. The reference voltage,  $V_R$ , a positive voltage, is applied to the buffer input and the op amp output ramps down until  $V_{OUT} = -V_B'$  where the comparator will trip.

If  $V_X$  and  $V_R$  are assumed to be constant over their respective integration periods, the integrals of Figure 7 are reduced to,

$$\frac{V_X (t_4 - t_3)}{RC} = \frac{V_R (t_5 - t_4)}{RC}$$

or

$$\frac{V_X}{V_R} = \frac{t_5 - t_4}{t_4 - t_3}$$

Since  $t_4 - t_3 = 4096$  clock periods and  $t_5 - t_4$  can be measured in clock periods,  $V_X/V_R = X/2^{12}$ , where X is a digital binary output representing an analog input  $V_X$  with respect to  $V_R$ .

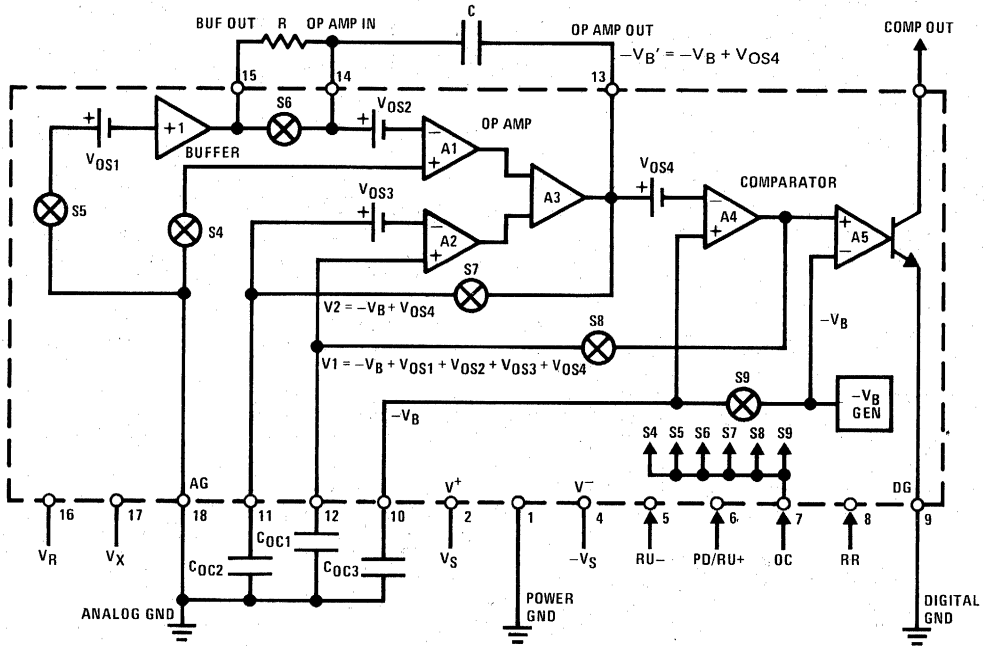


FIGURE 1. Offset Correction Circuit

$$V_{OUT} = -V_B' + V_X + \frac{1}{RC} \int_{t_3}^{t_4} V_X dt \quad V_X dt: \text{Ramp Unknown for } V_{IN} \geq 0$$

$$-V_B' + V_X + \frac{1}{RC} \int_{t_1}^{t_2} V_X dt \quad V_X dt: \text{Polarity Determination}$$

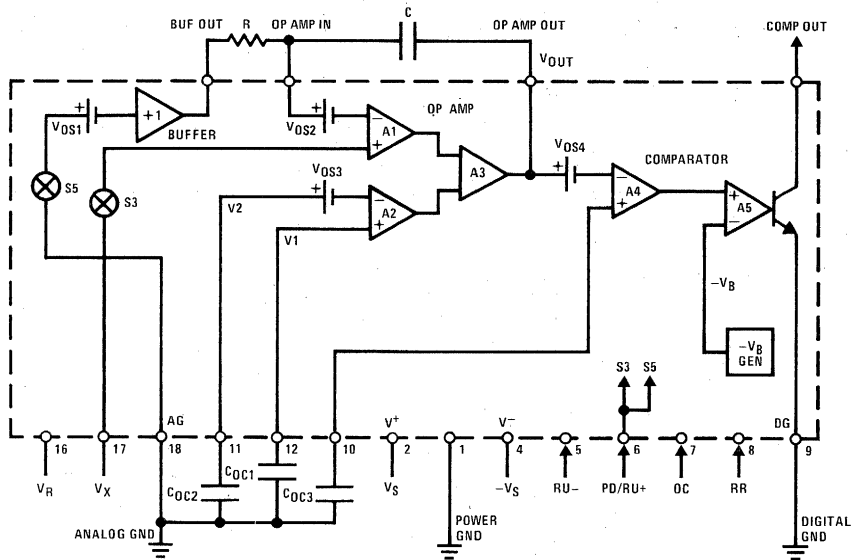


FIGURE 2. Polarity Determination Circuit or Ramp Unknown Circuit for  $V_X \geq 0$

$$V_{OUT} = -V_B' + \frac{1}{RC} \int_{t_3}^{t_4} V_X dt$$

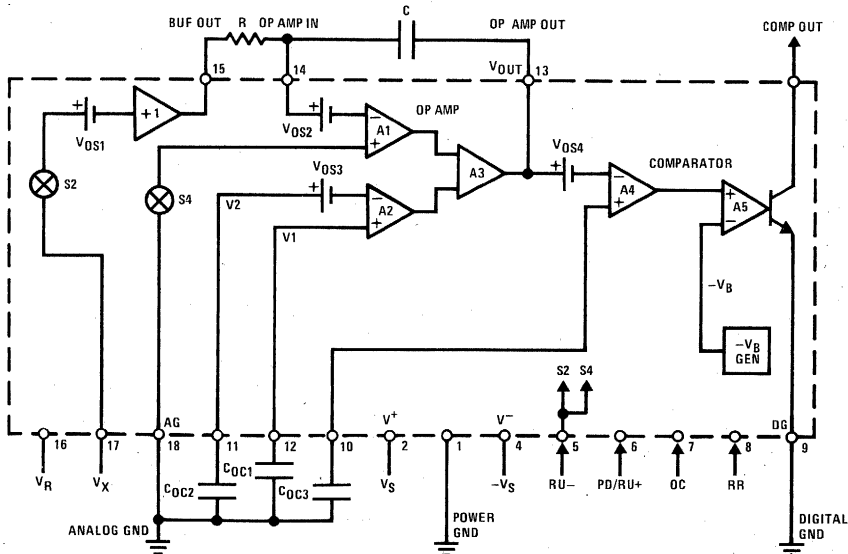
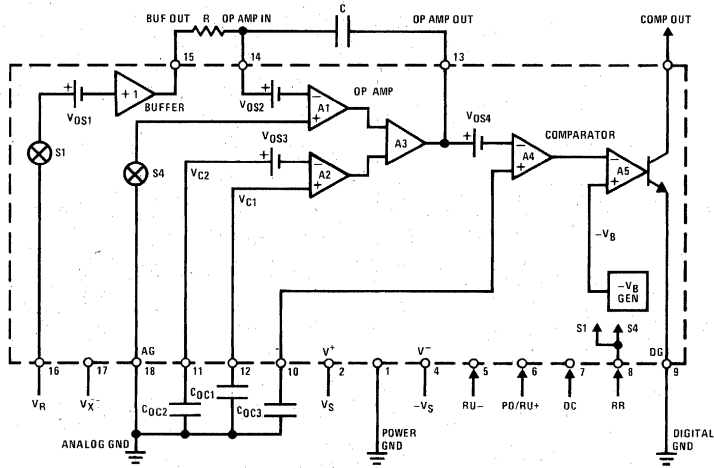


FIGURE 3. Ramp Unknown for  $V_X < 0$

functional description (Continued)

$$V_{OUT}^* = -V_B' + \frac{1}{RC} \left( \int_{t_3}^{t_4} V_X dt - \int_{t_4}^{t_5} V_R dt \right)$$



\*More accurately

$$V_O = -V_B' + \frac{1}{RC} \left( \int_{t_4}^{t_5+\Delta} V_R dt + \int_{t_3}^{t_4} V_X dt \right) + \delta$$

Where  $\delta$  is the incremental voltage overdrive needed to fully switch the comparator and  $\Delta$  is the sum of the additional time required to develop  $\delta$  and the comparator propagation delay.

FIGURE 4. Ramp Reference Circuit

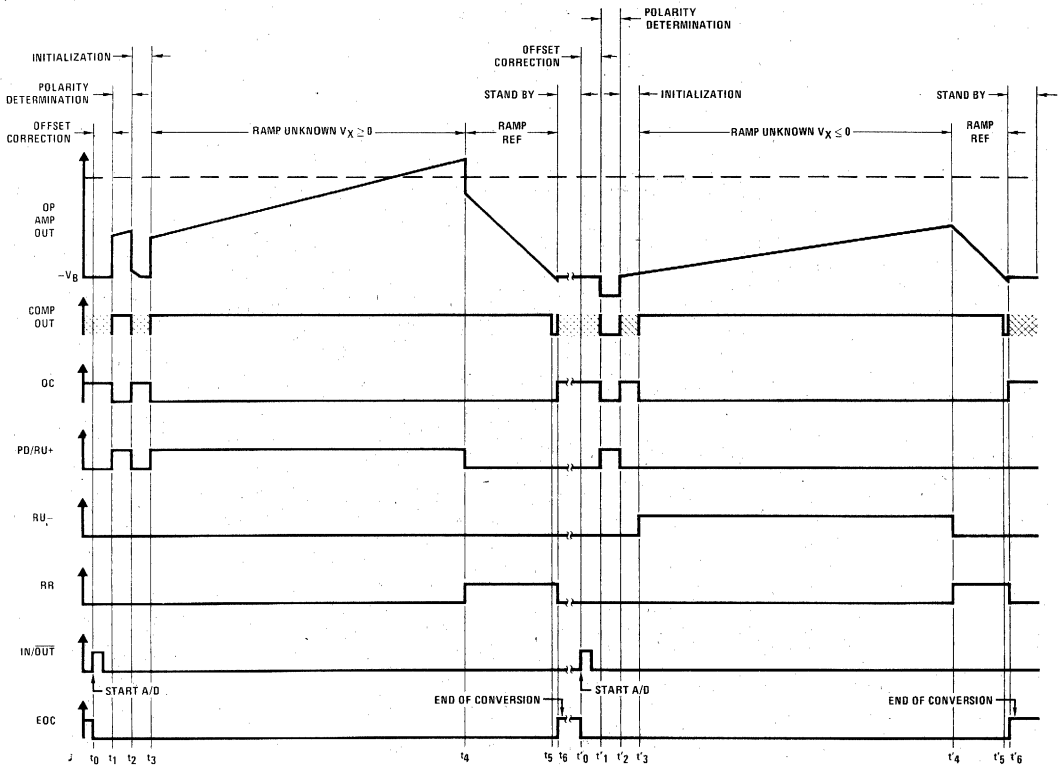


FIGURE 5. Timing Diagram

### application hints

#### Increasing the Input Impedance of the LF13300, MM5863 12-Bit A/D Converter

The input impedance of the LF13300, MM5863 A/D converter can be increased 1 to 2 orders of magnitude over the typical 1000 MΩ cited in the specifications by insuring that the signals that switch the LF13300 do not overlap. A circuit that eliminates switching overlap by introducing a Delay ( $t_d$ )  $\approx 3.3k \times 100 \text{ pF} \approx 300 \text{ ns}$  to the rising edge of the signals from the MM5863A is shown in Figure 6. Figure 8 shows the operation of this circuit. The total delay time  $t_r'$  of the output will be equal to the inherent gate rise time,  $t_r$ , plus the RC delay,  $t_d$ . The fall time,  $t_f$  will be the basic gate delay.

#### Nulling the Residual Offset in the LF13300

The residual offset of the LF13300 is  $< 200 \mu\text{V}$  which is negligible for most applications. This can be reduced to  $< 40 \mu\text{V}$  by lowering the clock frequency from 250 kHz to about 75 kHz. If a residual offset of  $< 40 \mu\text{V}$  is required, we may trim out the remainder as shown in Figure 9. This circuit applies a negative step to the Offset Correction capacitor, C<sub>OC2</sub>, by means of a variable capacitor which is adjusted until charge injection imbalance of the Offset Correction switches are cancelled.

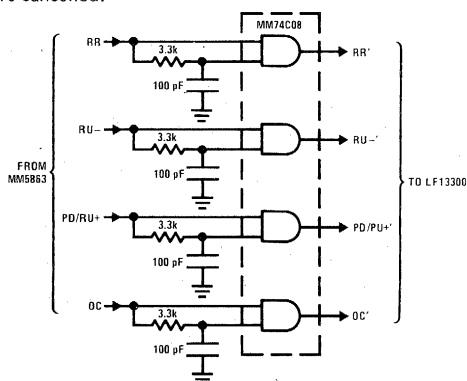


FIGURE 6. Overlap Elimination Circuit

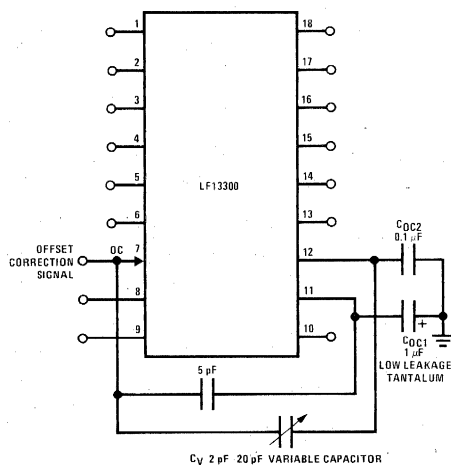


FIGURE 8

#### Eliminating Errors Due to Power Supply Noise

For many applications, power supply noise ( $f \geq 10 \text{ Hz}$ ) causes errors which reduces the accuracy of the system. In most applications, noise can be adequately eliminated by putting a series resistor (100Ω) in the power supply line with a 10 μF tantalum capacitor connected at the power supply pins (Figure 8). The 10 μF capacitor is, in addition to the normal 0.1 μF ceramic disc capacitors, used as supply bypass capacitors.

Errors caused by noise on the negative supply,  $-V_S$ , can be further reduced by replacing, C<sub>OC3</sub> with a 10 μF low leakage tantalum capacitor. Since  $-V_B$  is 3V above  $-V_S$ , any noise appearing at  $-V_S$  appears at  $-V_B$ ; the 10 μF capacitor eliminates the noise at  $-V_B$ .

#### Miscellaneous

Since none of the output pins of the LF13300 employ short-circuit protection, extreme care should be taken when breadboarding or troubleshooting with the power "ON".

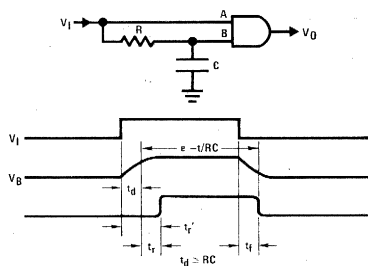


FIGURE 7. Rise Time Delay Circuit

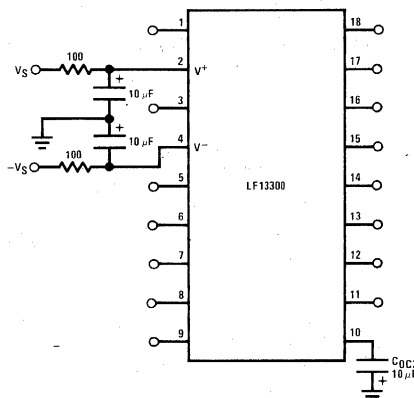


FIGURE 9. Residual Offset Nulling Circuit

typical applications

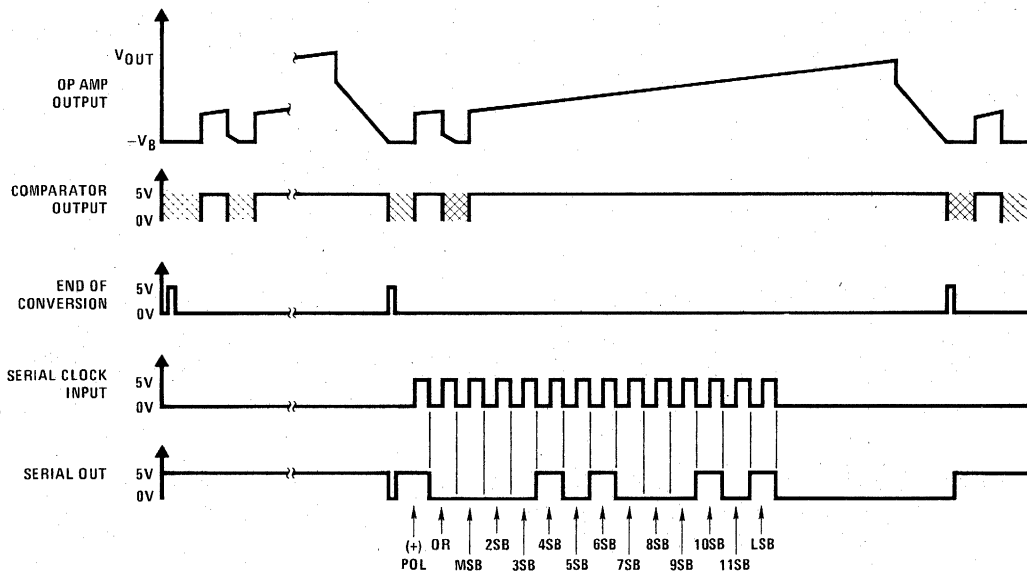
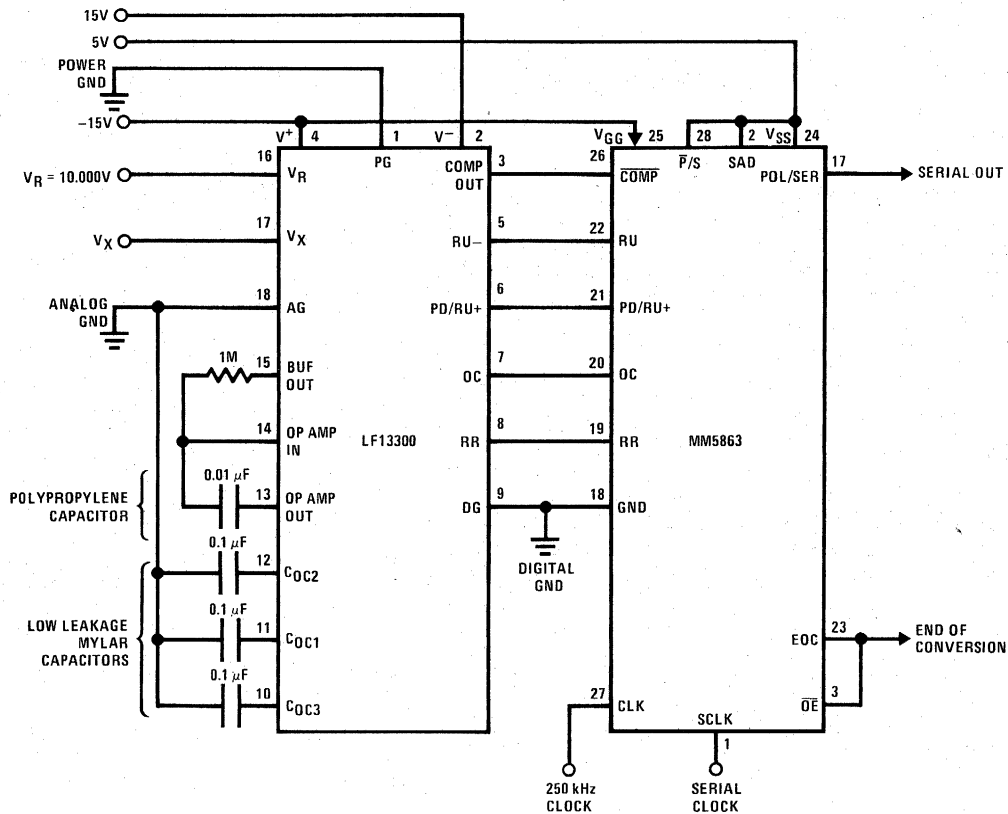


FIGURE 10. 12-Bit Plus Sign Serial Output A/D Using the LF13300 and the MM5863

typical applications (Continued)

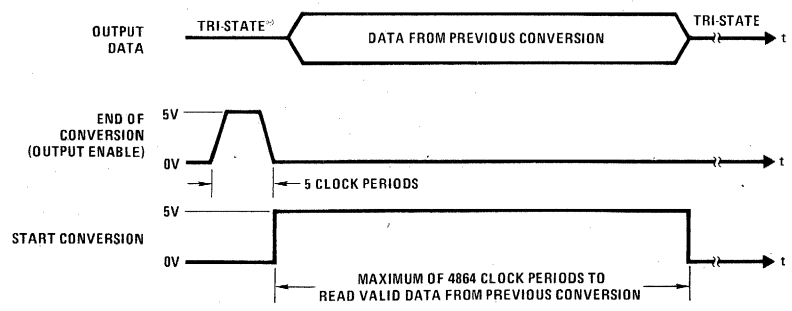
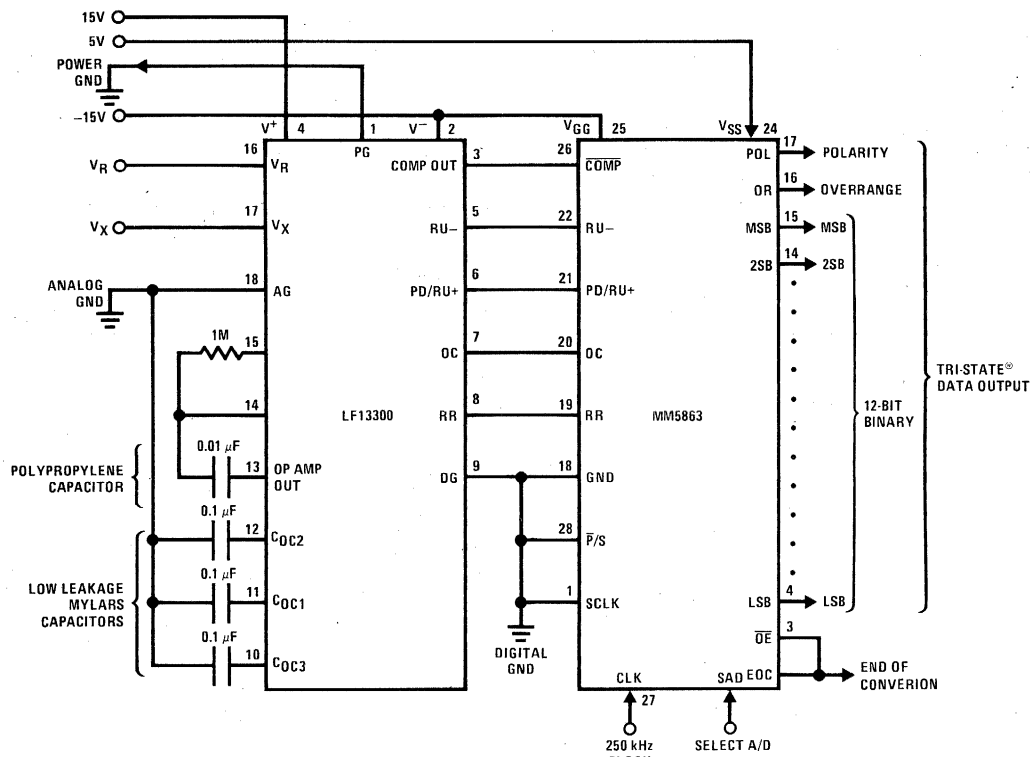


FIGURE 11. 12-Bit Plus Sign A/D in Intermittent Conversion Mode

4-Channel Differential Multiplexer with Autozeroed Instrumentation Amplifier and 12-Bit A/D Converter

Figure 12 shows a low speed, high accuracy, data acquisition unit where the analog input signal is acquired differentially and preconditioned through an LF352 monolithic instrumentation amplifier. To eliminate amplifier offset errors, autozeroing circuitry is added around the LF352 and is timed through the MM5863 and flip-flop C. Flip-flops A and B form a 2-bit up counter for channel select.

The instrumentation amplifier is zeroed at power-up and after each conversion as shown in the timing diagram;

during this cycle the multiplexer is disabled. When the system does polarity detection and then A/D conversion, the LF352 is active and the multiplexer is enabled. The zeroing cycle for the LF13300 and the LF352 lasts for 256 clock periods, so the maximum clock frequency will depend upon the required accuracy and the minimum zeroing time of the instrumentation amplifier. Notice here that the system accuracy will be less than 12 bits since it will be affected by the gain linearity of the instrumentation amplifier.

For more details concerning data acquisition, see AN-156 and LF11508, LF11509 data sheet. For details on the instrumentation amplifier, see LF352 data sheet.

typical applications (Continued)

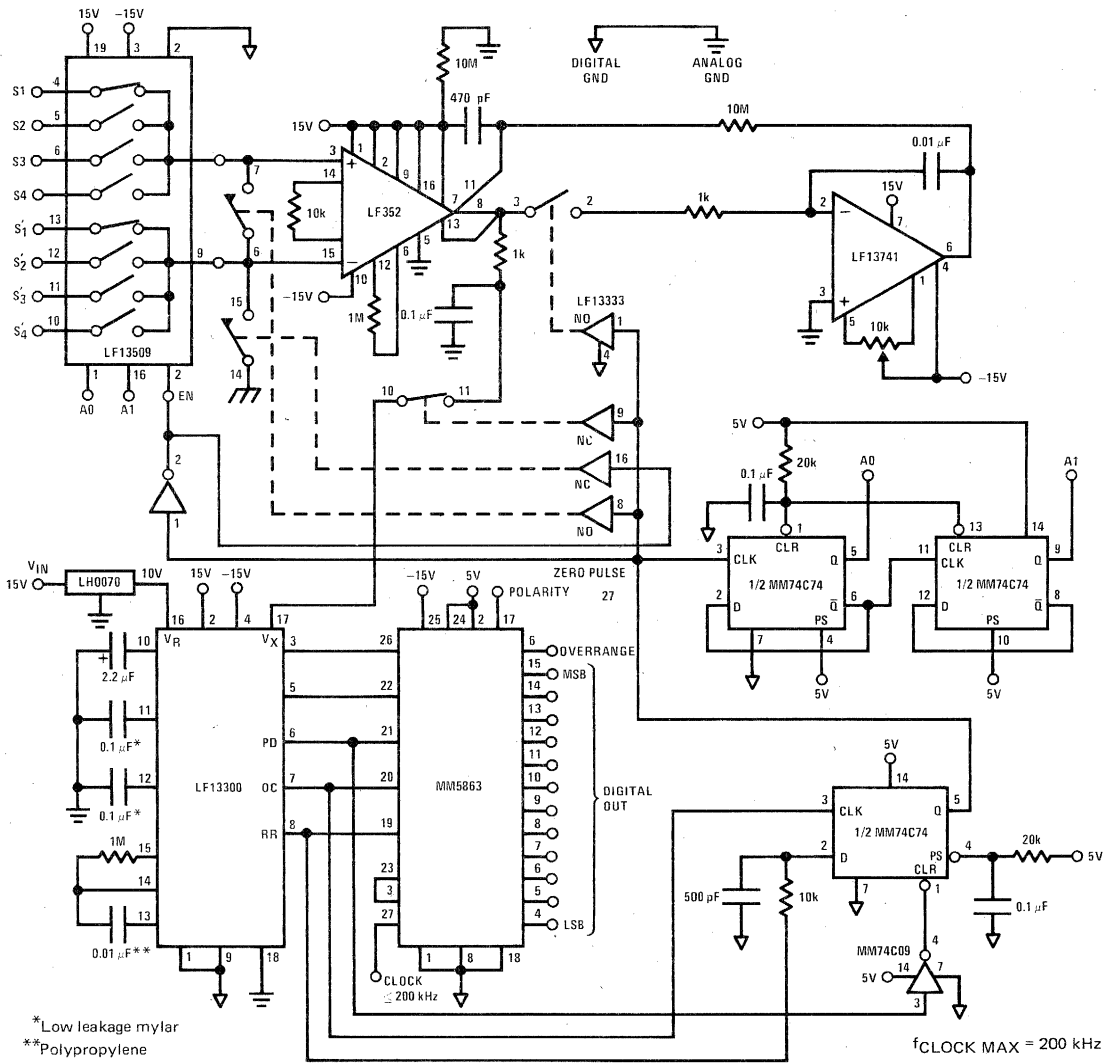


FIGURE 12. 4-Channel Differential Multiplexer with Autozeroed Instrumentation Amplifier and 12-Bit A/D Converter

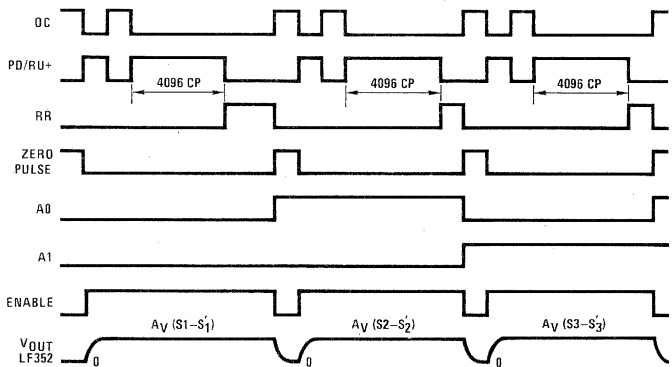
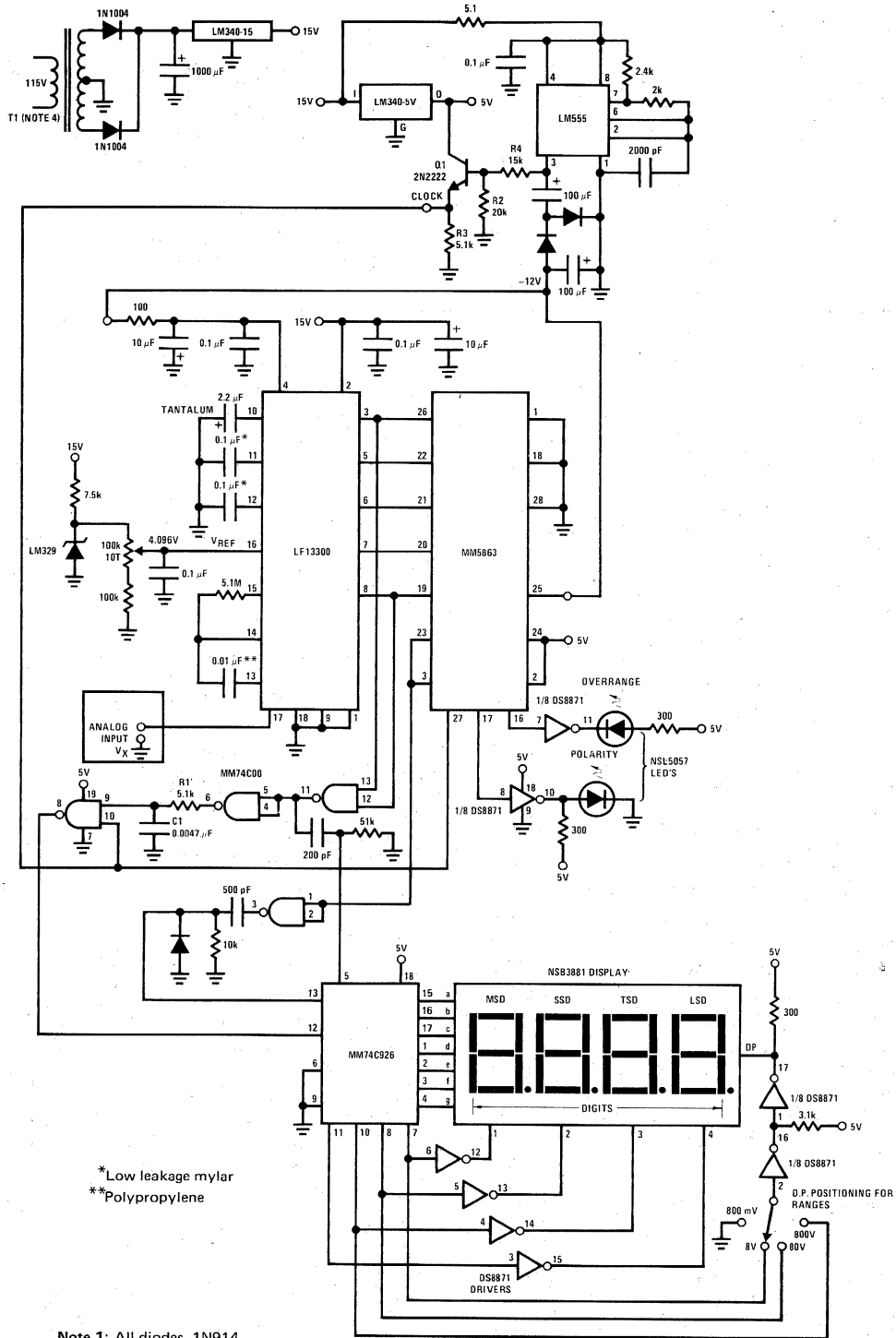


FIGURE 13. Timing Diagram for Figure 12

typical applications (Continued)



\*Low leakage mylar  
 \*\*Polypropylene

- Note 1: All diodes, 1N914.
- Note 2: All resistors 1/4W, 5% tolerance.
- Note 3: Circuit drawn for 8V full scale operation input scaling not shown.

FIGURE 14. 3 3/4 and 3 1/2-Digit DPM Schematic Diagram



typical applications (Continued)

3 3/4-Digit ( $\pm 8191$  Counts)/3 1/2-Digit ( $\pm 1999$  Counts) DPM

In this circuit of *Figure 14*, the LF13300 and MM5863 interact as previously described. The CMOS counter (MM74C926, MM74C928) is connected to count clock pulses during the ramp reference cycle of the LF13300. The counts are latched into the display when the comparator output trips, (goes low), as shown in the timing diagram *Figure 15*.

The RC network consisting of R1 and C1 is a low pass filter that prohibits the fast transients that occur on the comparator output during Offset Correction from loading any erroneous counts into the counter.

The DPM is able to operate from a single 15V power supply with the aid of a dc-dc converter. The LM555 generates the negative voltages required in the circuit and also doubles as the clock. The combination of Q1, R2, R3 and R4 forms a level shift to convert the output swing of the LM555 to a 0V–5V swing that is compatible with the logic. The LM340–5 drops the incoming 15V to 5V for use by the logic circuits and the LED display.

This circuit can be a 3 3/4-digit DPM if the MM74C926 is used or a 3 1/2-digit DPM if the MM74C928 is used. These counters are pin compatible and physically interchangeable.

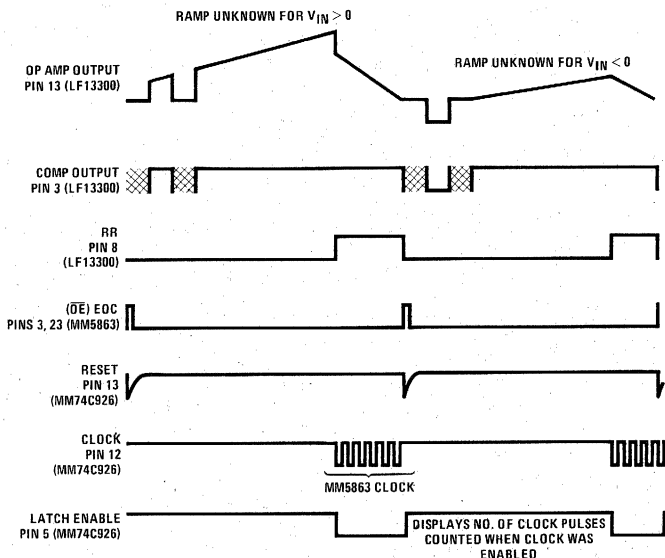


FIGURE 15. Timing Diagram for 3 3/4-Digit DVM

electrical characteristics

3 3/4-digits plus sign ( $\pm 8191$  counts) DPM system characteristics.

(Circuit as in *Figure 18*,  $V_S = \pm 15V$ ,  $V_R = 4.096V$ ,  $T_A = 25^\circ C$ , unless otherwise noted).

| PARAMETER                       | CONDITIONS   | MIN      | TYP       | MAX       | UNITS           |
|---------------------------------|--|----------|-----------|-----------|-----------------|
| Resolution                      | $-8.2V \leq V_X \leq +8.2V$                            | 16,382   |           |           | Counts          |
| Nonlinearity                    | $V_{IN} = 4.000V$                                      |          | $\pm 1/8$ | $\pm 1/2$ | Counts          |
| Ratiometric Gain Error          | $V_{IN} = 4.000V$                                      |          | $\pm 1/2$ | $\pm 2$   | Counts          |
| Gain Error Drift                | $V_{IN} = 4.000V, 0^\circ C \leq T_A \leq +70^\circ C$ |          | $\pm 1$   |           | ppm/ $^\circ C$ |
| Zero Reading Drift              | $V_{IN} = 0V$  |          | $\pm 1$   |           | ppm/ $^\circ C$ |
| Analog Input Voltage Range      |  | $\pm 11$ | $\pm 12$  |           | V               |
| Reference Input Voltage Range   | Reference Varied                                       | 0        |           | +12       | V               |
| Analog Input Leakage Current    | $V_{IN} = 0V$  |          | 50        | 500       | pA              |
| Reference Input Leakage Current |  |          | 100       | 1000      | pA              |
| Analog Input Resistance         | $V_{IN} = 0V$  |          | 1000      |           | M $\Omega$      |
| Conversion Time                 | $V_{IN} = 4.000V, f_C = 125$ kHz                       |          |           | 74        | ms              |



typical applications (Continued)

4 1/2-Digit ( $\pm 19,999$  Counts) DPM

The following circuit illustrates how a 4 1/2-digit DPM can be realized using the LF13300 and the MM5330. The MM5330 is the display and control for this integrating system.

It contains the counters and latches together with a multiplexing system to provide 4 digits of display with one decoder/driver. It also provides a sign bit that is valid during overrange and a ten thousand count digit for a full display of  $\pm 19,999$  counts. By eliminating the right-most digits it may also be used as a 2 1/2 or 3 1/2-digit DPM.

The LF13300 features automatic zeroing of all offset voltages in its integrator, comparator and buffer amplifiers and, unlike conventional dual slope techniques, provides an input impedance  $> 1000 \text{ M}\Omega$ .

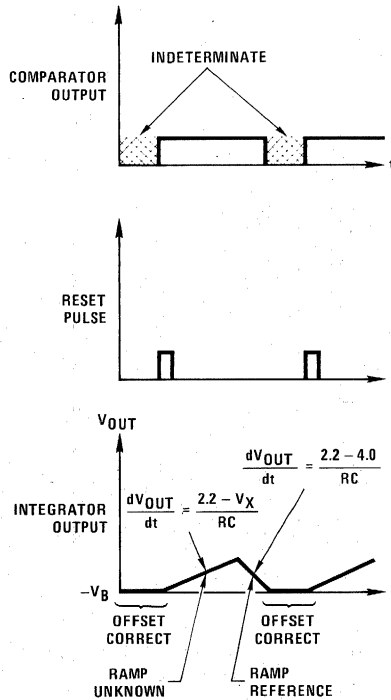
The waveform at the integrator output is shown in Figure 18. At the rising edge of the reset pulse the unknown input voltage is applied to the integrator for a reference period of 18,000 clock periods. After this reference period, the 4.0000V reference is applied to the integrator and the counter is started. The reference voltage is integrated until the comparator switches.

At this point, the accumulated counts are transferred from the counters to the latches and zeroing begins until the next reset pulse.

It may be obvious, however, that while we have eliminated several of the basic dual slope circuits disadvantages, we have created another—the number of counts are no longer proportional to  $V_{IN}$  but rather to  $(V_{MAX}-V_{IN})$ . In fact, when we short  $V_{IN}$  to ground we are actually measuring our own  $2.2000 \text{ V}_{MAX}$ .

What is done in the MM5330 is to code convert the number of counts as shown in the count diagram. This chart shows a code conversion starting at the time of a reset. The first 18,000 counts are the reference period after which time the integrator changes slope. If a comparator crossing is detected within the next 2000 counts, a plus overrange condition will occur at the display. This condition results in a lit "+" sign, a lit "1" and 4 blanked right-most digits. A transfer at 20,000, however, will create a reading of +1.9999, at 20,001 a reading of 19.998 and so on, until at 39,999 a reading of +0000 would be displayed. A transfer occurring at 40,000 would cause a -0000 display and so on until 60,000 counts were entered, at which time a -1 with 4 blanked digits would be displayed, indicating a minus overrange condition.

The display interface used is a TTL, 7-segment decoder/driver and 4 2N4403 transistors. The  $\pm 1$  digit is driven directly by TTL. The clock-synchronous reset and transfer functions prevent any cyclic digit variations and present a blink-free, flicker-free display.



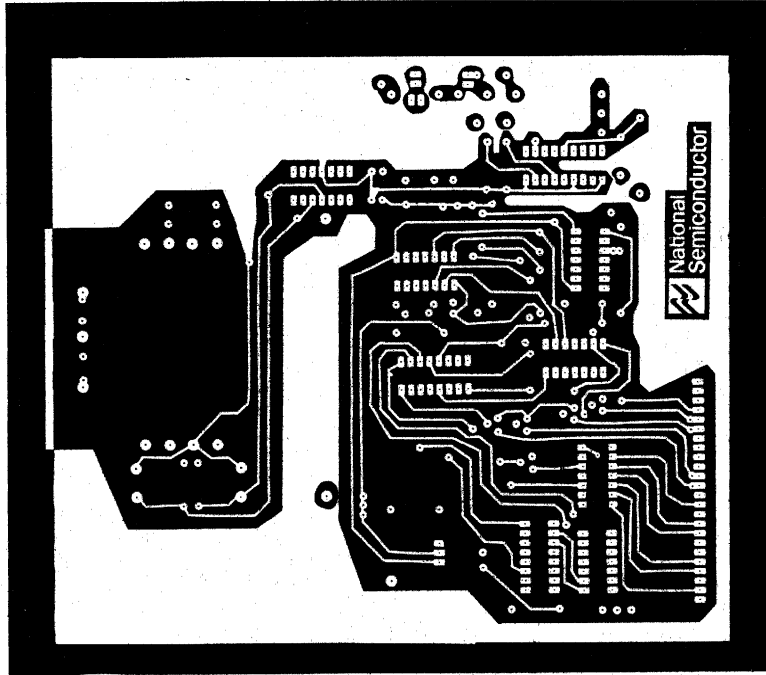
Note. Here the LF13300 always operates as an autozeroed, high input impedance inverting integrator; bipolar input voltages are handled by offsetting the analog ground by 2.2V.

FIGURE 18. Timing Diagram for 4 1/2-Digit DPM



typical applications (Continued)

Component Side Foil



Bottom Side Foil

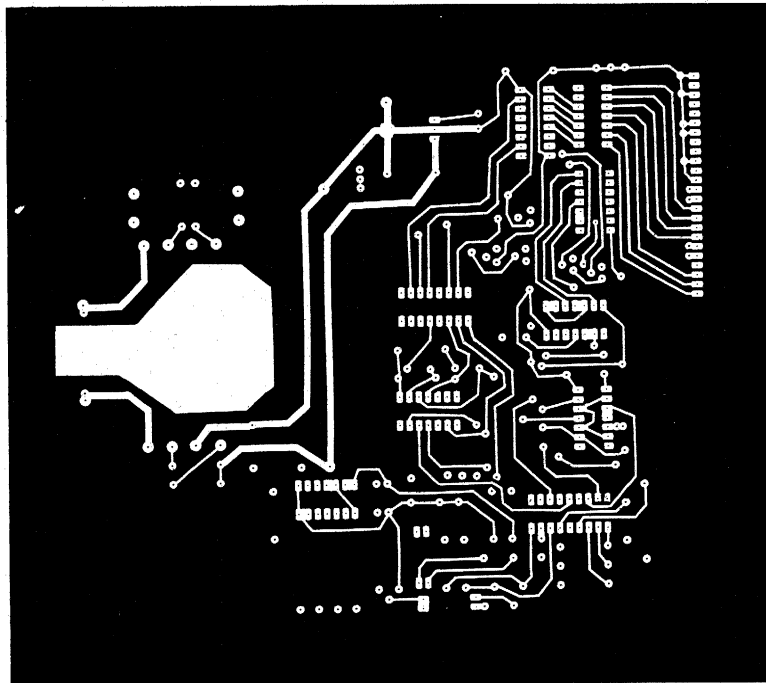
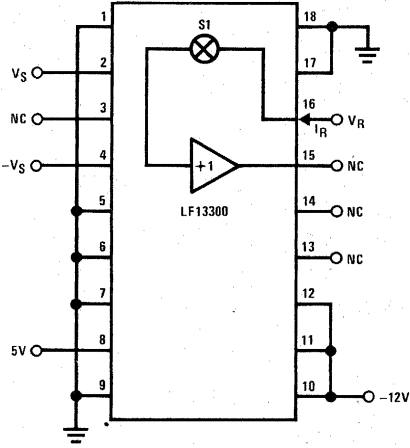


FIGURE 20. PC Board for 4 1/2-Digit DVM (Shown 1/2 Size)

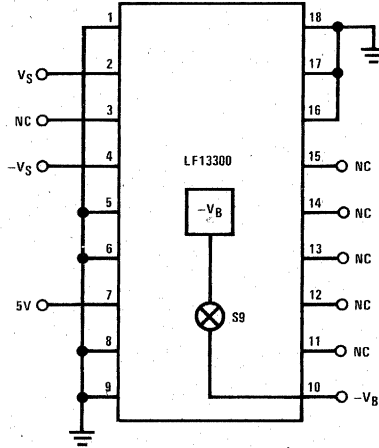


ac test circuits (Continued)

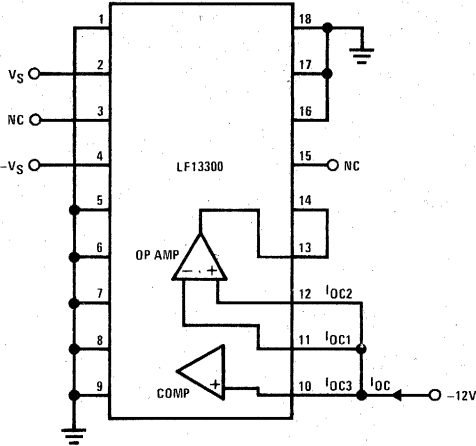
**Test Circuit 3**  
Reference Input Characteristic Test with RR High



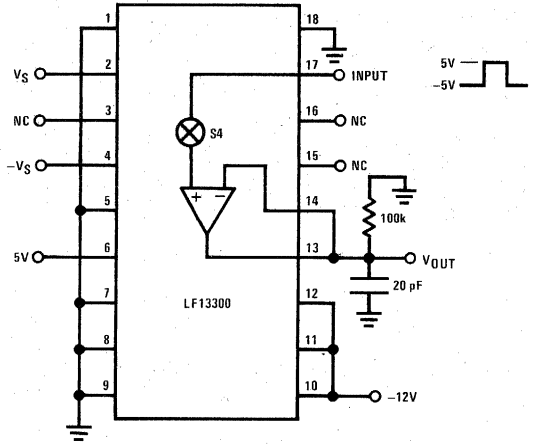
**Test Circuit 4**  
-V<sub>B</sub> Voltage Measurement Test



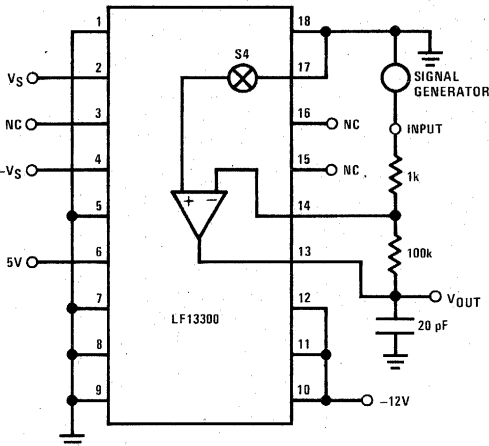
**Test Circuit 5**  
Offset Correction Input Current, I<sub>OL</sub> Test



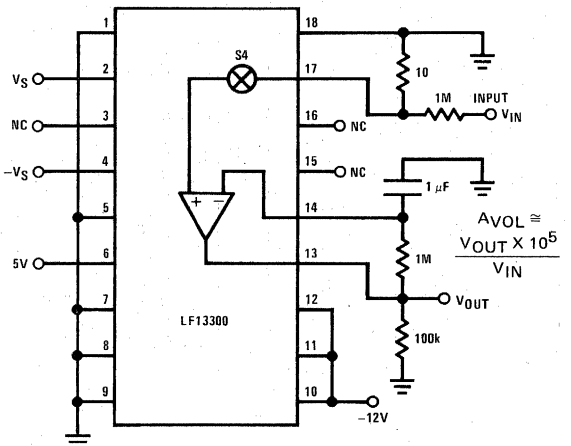
**Test Circuit 6**  
Op Amp Slew Rate Test



**Test Circuit 7**  
Frequency Response Test



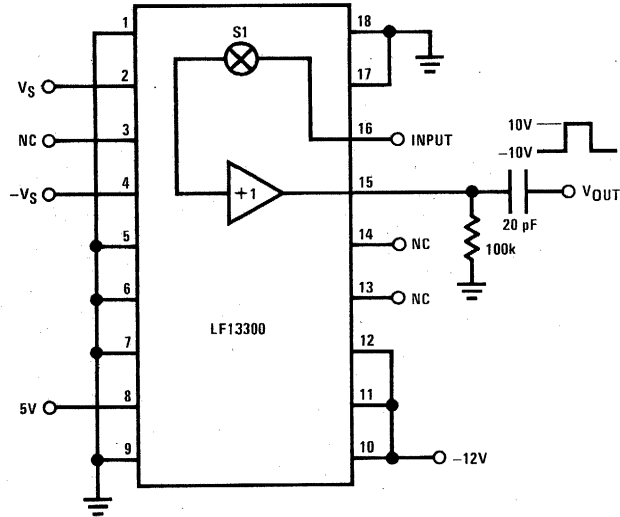
**Test Circuit 8**  
Open Loop Gain Test



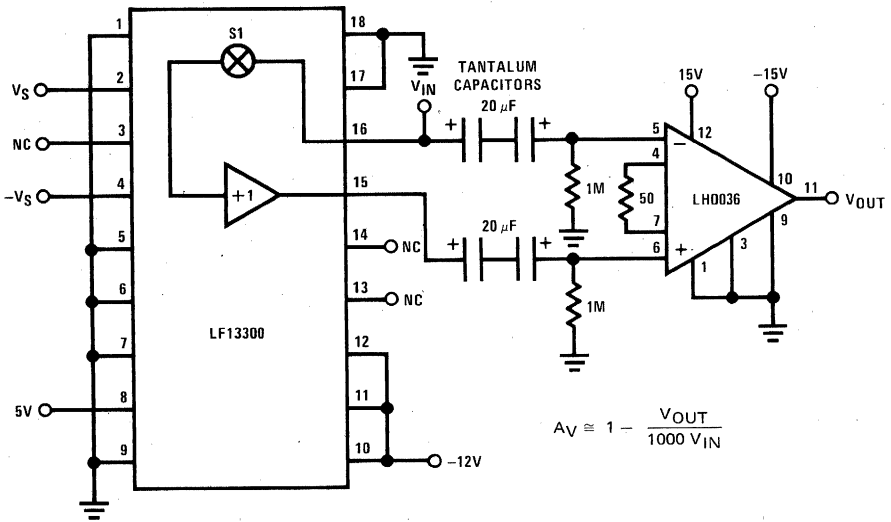
$$\frac{AVOL \approx V_{OUT} \times 10^5}{V_{IN}}$$

ac test circuits (Continued)

Test Circuit 9  
Buffer Slew Rate Test



Test Circuit 10  
Buffer Voltage Gain Test

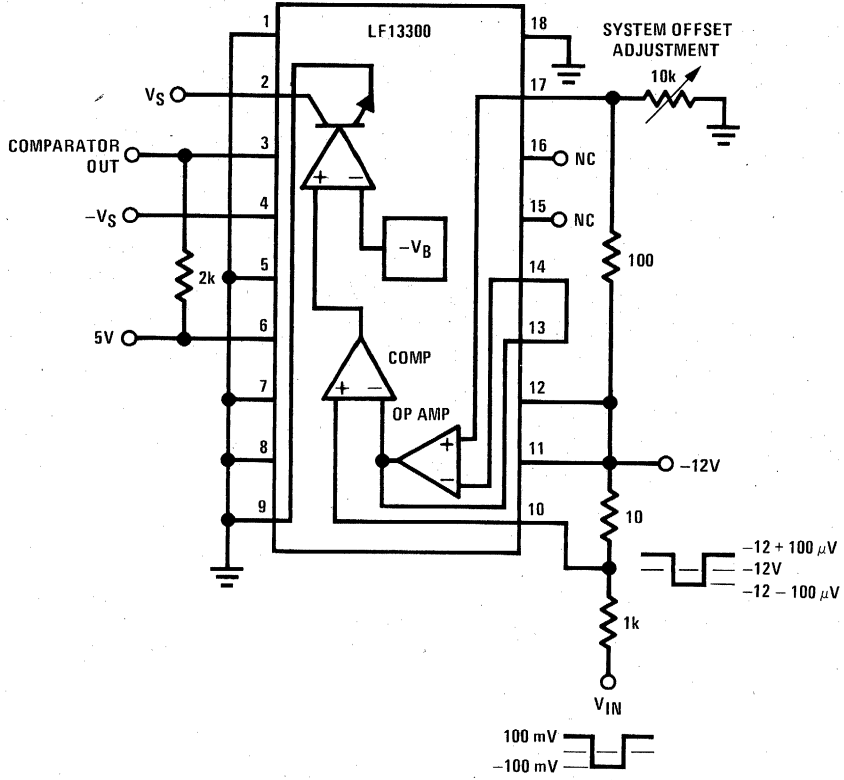


$$A_V \approx 1 - \frac{V_{OUT}}{1000 V_{IN}}$$



ac test circuits (Continued)

Test Circuit 11  
Comparator Response Time Test





# Analog to Digital (A/D) Converters

For additional application information, see AN-155 at the end of this section.

MM5330

## MM5330 4 1/2-digit panel meter logic block

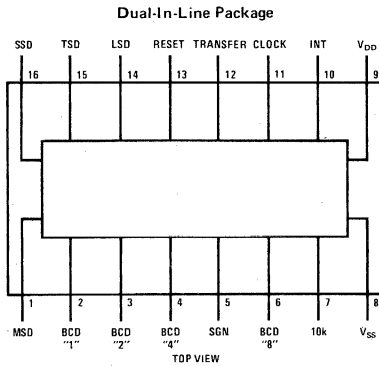
### general description

The MM5330 is a monolithic integrated circuit which provides the logic circuitry to implement a 4-1/2 digit panel meter. The MM5330 utilizes P-channel low threshold enhancement mode devices and ion-implanted depletion mode devices. All inputs and outputs are TTL compatible with BCD output for direct interface with various display drivers.

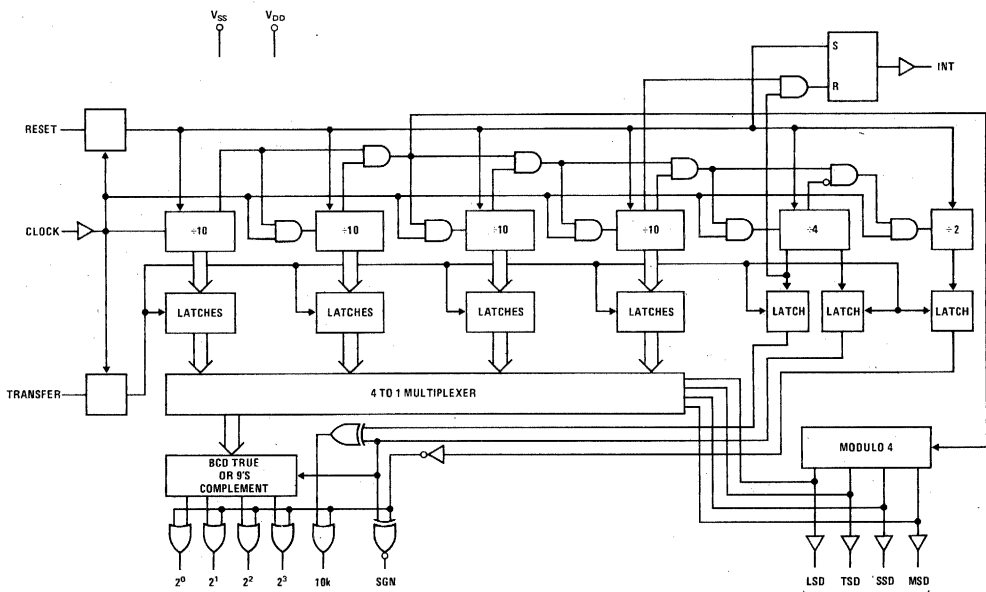
### features

- dc to 400 kHz operation
- TTL compatible inputs and outputs
- BCD output code
- Overrange blanking
- Valid sign bit during overrange
- Standard supply voltages; +5, -15V

### connection and block diagrams



Order Number MM5330N  
See Package 19



5

**absolute maximum ratings**

|  |                                   |
|--|-----------------------------------|
| Voltage at Any Pin                       | $V_{SS} + 0.3V$ to $V_{SS} - 25V$ |
| Operating Temperature                    | $0^{\circ}C$ to $+75^{\circ}C$    |
| Storage Temperature                      | $-40^{\circ}C$ to $+125^{\circ}C$ |
| Lead Temperature (Soldering, 10 seconds) | $300^{\circ}C$                    |

**electrical characteristics**

$T_A$  within operating range,  $V_{SS} = 4.75V$  to  $5.25V$ ,  $V_{DD} = -16.5V$  to  $-13.5V$  unless otherwise specified.

| PARAMETER                             | CONDITIONS                           | MIN          | TYP | MAX          | UNITS   |
|---------------------------------------|--------------------------------------|--------------|-----|--------------|---------|
| Power Supply Voltage ( $V_{SS}$ )     |                                      | 4.75         | 5   | 5.25         | V       |
| Power Supply Voltage ( $V_{DD}$ )     |                                      | -16.5        | -15 | -13.5        | V       |
| Power Supply Current ( $I_{SS}$ )     | No Load                              |              |     | 30           | mA      |
| Input Frequency                       |                                      | dc           |     | 400          | kHz     |
| Reset or Transfer Pulse Width         |                                      | 200          |     |              | ns      |
| Input Voltage Levels                  | $V_{SS} = 5V$ , $V_{DD} = -15V$      |              |     |              |         |
| Logic "1"                             | Inputs Driven by TTL or Square Waves | 3            |     | 5            | V       |
| Logic "0"                             | Inputs Driven by TTL or Square Waves | -15          |     | 0.8          | V       |
| Clock Input Voltage Levels            |                                      |              |     |              |         |
| Logic "1"                             | Driven by Sinewave                   | $V_{SS}-0.5$ |     | $V_{SS}+0.3$ | V       |
| Logic "0"                             | Driven by Sinewave                   | $V_{SS}-25$  |     | $V_{SS}-4.5$ | V       |
| Output Current Levels                 | $V_{SS} = 5V$ , $V_{DD} = -15V$      |              |     |              |         |
| Digit Output State                    |                                      |              |     |              |         |
| Logic "1"                             | $V_O$ Forced To 4.75V                | 100          |     |              | $\mu A$ |
| Logic "0"                             | $V_O$ Forced To 4.5V                 | -5           |     | -20          | mA      |
| All Other Outputs                     |                                      |              |     |              |         |
| Logic "1"                             | $V_O$ Forced To 3V                   | 100          |     |              | $\mu A$ |
| Logic "0"                             | $V_O$ Forced To 0.4V                 | -2           |     |              | mA      |
| Delay From Digit Output to BCD Output |                                      | 0.1          |     | 5            | $\mu s$ |

**FUNCTIONAL DESCRIPTION**

**Counters:** The MM5330 has four  $\div 10$  counters, one  $\div 4$  counter, and one  $\div 2$  for a count of 80,000 clock pulses. A ripple carry is provided and all counter flip-flops are synchronous with the negative transition of the input clock. The last flip-flop in the divider chain ( $\div 2$  in the block diagram) triggers with the "0" to "1" transition of the previous flip-flop. The count sequence is shown in the first column of the count diagram.

**Reset:** All counter stages are reset to "0" and the INT flip-flop (driving the INT output) is set to "1" on the first negative clock transition after a "0" is applied to the Reset input. The internal reset is removed on the first negative clock transition after the internal reset has occurred and a "1" has been applied to the Reset input. This timing provides an on-chip reset at least one clock cycle wide and a one cycle delay to remove reset before counting begins.

**Transfer:** Data in the counters is transferred to the latches when the Transfer input is at "0." If the Transfer input is held low the state of the counters is continuously displayed (see count diagram). Data will cease to transfer to the latches on the first positive clock

transition after the first negative clock transition after a "1" is applied to the Transfer input. This provides a transfer pulse at least one half clock cycle wide and a half clock cycle delay to remove the transfer signal before the counters change state.

**INT:** The integrate output is used to set the charge time on a dual slope integrator. INT is "1" from reset to the 18,000th clock pulse, then "0" until the next reset. The dual slope integrator is the voltage monitoring part of the external circuitry needed for a DPM. It charges a capacitor at a rate proportional to the measured voltage while INT is "1," then discharges at a rate proportional to a fixed reference as shown in the dual slope diagram. When the output of the integrator reaches 0V a pulse is generated and fed into the Transfer input of the chip. As the dual slope diagram indicates, the number in the latches is proportional to the measured voltage.

**Multiplexing:** The modulo 4 multiplex counter is triggered by the carry from the second decade counter, making the multiplex rate one hundredth the counting rate (4 kHz for a 400 kHz clock). The LSD, TSD, SSD and MSD (least significant, third significant, second significant and most significant digits) outputs indicate by a low level which decade latch is displayed at the BCD outputs.



## APPLICATIONS INFORMATION (Continued)

Secondly, the use of a conventional op amp for a comparator allows zeroing of all voltage offsets in both the op amp and comparator. This is achieved by zeroing the voltage on the capacitor through the use of the comparator as part of a negative feedback loop. During the zeroing period, the non-inverting input of the integrator is at  $V_{REF}$ . As this voltage is within the active common-mode range of the integrator the loop will respond by placing the integrator and comparator in the active region. The voltage on the capacitor is no longer equal to zero, but rather to a voltage which is the sum of both the op amp and comparator offset voltages. Because of the intrinsic nature of an integrator, this constant voltage remains throughout the integrating cycle and serves to eliminate even large offset voltages.

The waveforms at the output of the integrator are as shown. The voltage at A is the comparator threshold just discussed. Simultaneously, with the opening of switch A,  $V_{IN}$  is connected to the input of the integrator via switch B. The output then slews to  $V_{IN}$ . Integration then begins for the reference period, after which time the reference voltage is again applied to the input. The output again slews the difference between  $V_{REF}$  and  $V_{IN}$  and integrates for the unknown period until the comparator threshold is crossed. At this point, the accumulated counts are transferred from the counters to the latches and zeroing begins until the next conversion interval.

It may be obvious, however, that while we have eliminated several of the basic dual slope circuits disadvantages, we have created another—the number of counts are no longer proportional to  $V_{IN}$  but rather to  $(V_{MAX} - V_{IN})$ . In fact, when we short  $V_{IN}$  to ground we are actually measuring our own  $2.2000 V_{MAX}$ .

What is done in the MM5330 is to code convert the number of counts as shown in the count diagram. This chart shows a code conversion starting at the time of a reset. The first 18,000 counts are the reference period after which time the integrator changes slope. If a com-

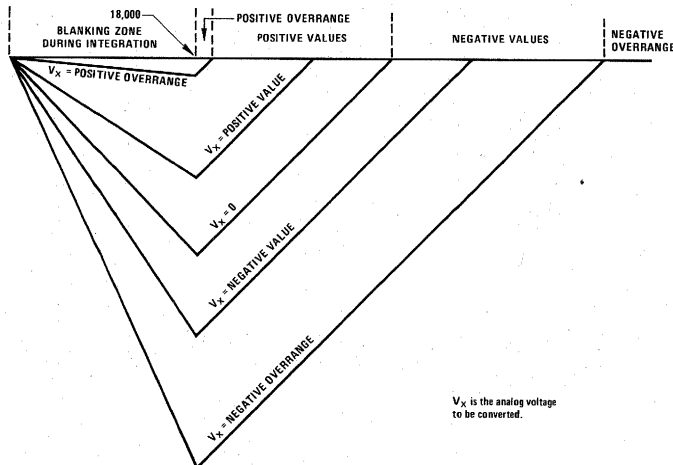
parator crossing is detected within the next 2000 counts, a plus overrange condition will occur at the display. This condition results in a lit "+" sign, a lit "1" and four blanked rightmost digits. A transfer at 20,000 however, will create a reading of +1.9999, at 20,001 a reading of 19.998 and so on, until at 39,999 a reading of +0000 would be displayed. A transfer occurring at 40,000 would cause a -0000 display and so on until 60,000 counts were entered at which time a -1 with four blanked digits would be displayed indicating a minus overrange condition.

A typical circuit for a low cost 4 1/2 digit DPM is shown in *Figure 2*. The display interface used is a TTL, 7-segment decoder driver and four P-type transistors. The  $\pm 1$  digit is driven directly by CMOS. The clock-synchronous reset and transfer functions prevent any cyclic digit variations and present a blink-free, flicker-free display. CMOS analog switches are used as reference, zero, and input switches and used also in the comparator slew rate circuit.

A problem with all dual slope systems occurs when short integrating times and high clock frequencies are used. Because of the very slow rise time of the ramp into the comparator, the output of the comparator will normally ramp at approximately 1/10 of its actual slew rate. Thus, a significant number of extra counts are displayed due to the slow rate of rise of the comparator. A technique to improve this consists of capacitor  $C_S$  and analog switch four. An unstable positive loop is created by this capacitor when the comparator comes out of saturation. This causes the output to rise at its slew rate to the comparator threshold. As soon as this threshold is reached the analog switch opens and zeroing is initiated as previously discussed.

A simplified approach to performing the modified dual slope function combines the MM5330 and the LF11300 dual slope analog block as in *Figure 3*. The LF11300 provides the front analog circuitry required. This includes a FET input amplifier, analog switches, integrator and comparator. The LF11300 provides auto zero,  $> 1000 M\Omega$  input impedance, and a  $\pm 10V$  analog range.

## dual slope diagram



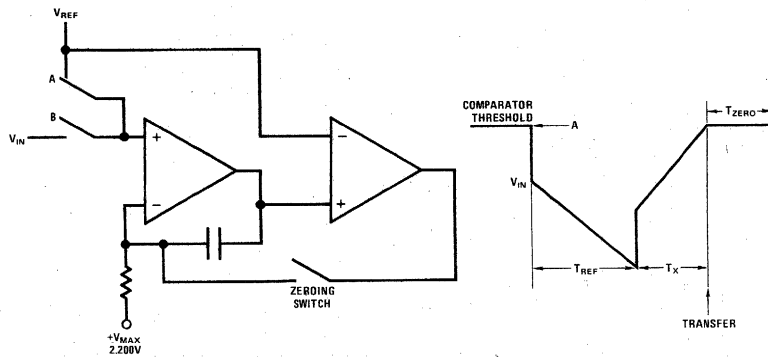


FIGURE 1. Modified Dual Slope

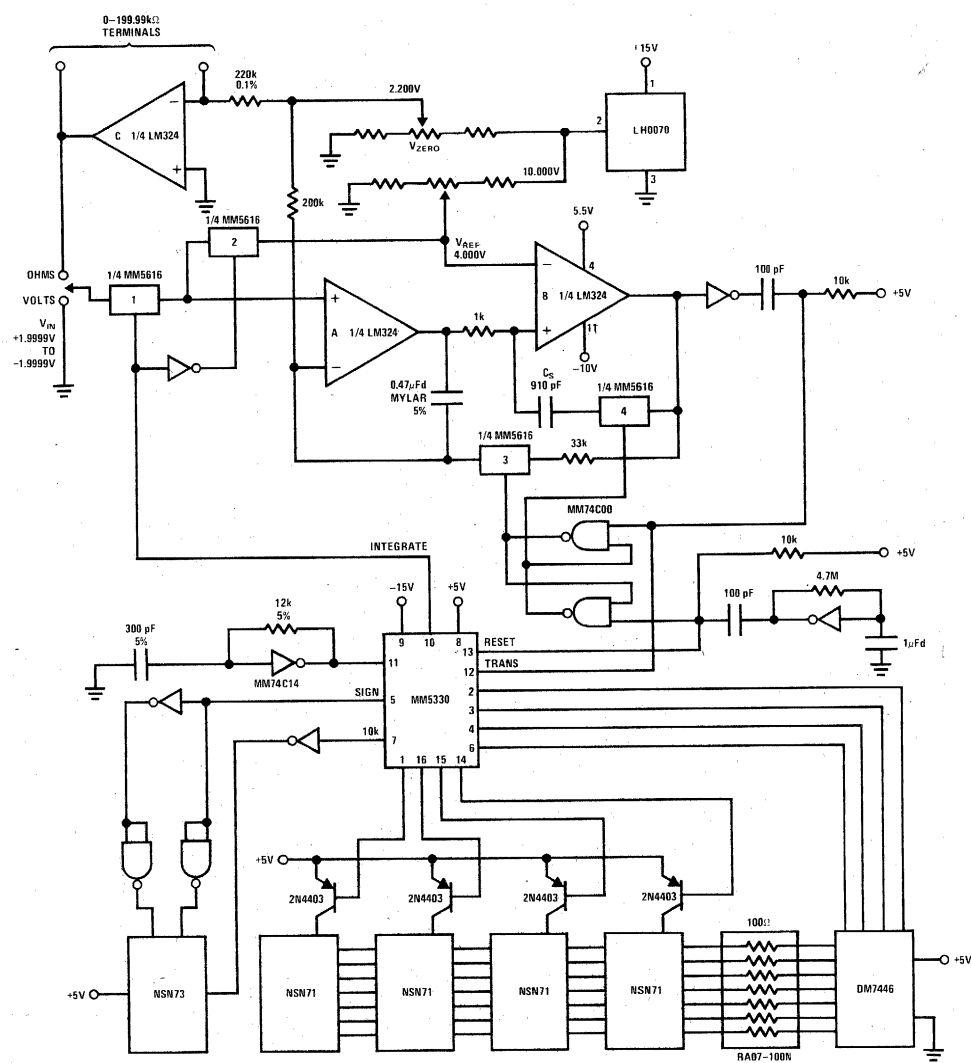
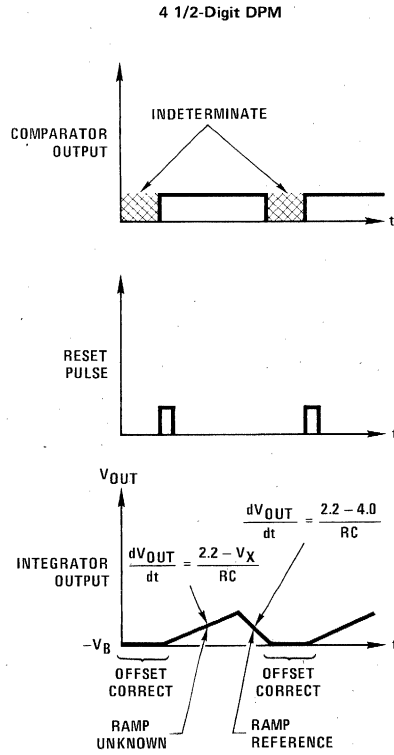


FIGURE 2. Typical Application Low Cost 4 1/2 Digit Volt-Ohm Meter



## timing diagrams



Note. Here the LF13300 always operates as an autozeroed, high input impedance inverting integrator; bipolar input voltages are handled by offsetting the analog ground by 2.2V.





# Analog to Digital (A/D) Converters

## MM5863 12-bit binary A/D building block

### general description

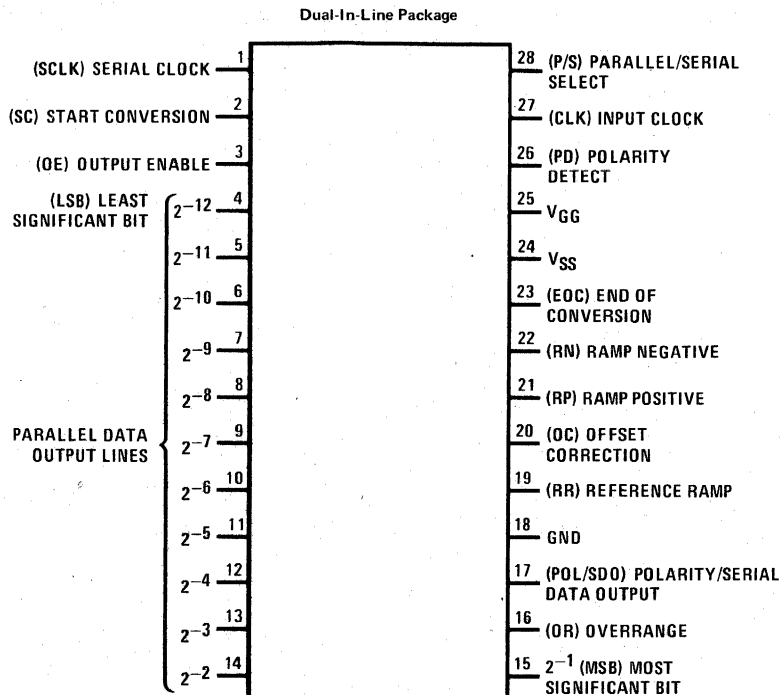
The MM5863 is the digital controller for the LF13300D\* analog building block. Together they form an integrating 12-bit A/D converter. The MM5863 provides all the necessary control functions, plus features like auto zeroing, polarity and overrange indication, as well as continuous conversion. The 12-bit plus sign parallel and serial outputs are TRI-STATE® TTL level compatible. The device also includes output latches to simplify data bus interfacing.

\*See LF13300D data sheet for more information

### features

- 12-bit binary output
- Parallel or serial output
- Parallel TRI-STATE output
- Polarity indication
- Overage indication
- Continuous conversion capability
- 100% overrange capability
- 5V, -15V power requirements
- TTL compatible
- Clock frequency to 500 kHz

### connection diagram



TOP VIEW

Order Number MM5863N  
See Package 23

**absolute maximum ratings**

|  |                 |
|--|-----------------|
| Supply Voltage (V <sub>SS</sub> )        | 5.25V           |
| Supply Voltage (V <sub>GG</sub> )        | -16.5V          |
| Voltage at Any Input                     | 5.25V           |
| Operating Temperature                    | 0°C to +70°C    |
| Storage Temperature                      | -40°C to +150°C |
| Clock Frequency                          | 500 kHz         |
| Lead Temperature (Soldering, 10 seconds) | 300°C           |

**electrical characteristics**

V<sub>SS</sub> = 5V, V<sub>GG</sub> = -15V, 0°C to +70°C, unless otherwise specified.

| PARAMETER                               | CONDITIONS   | MIN   | TYP    | MAX      | UNITS |
|---|--|-------|--------|----------|-------|
| Power Supply Voltage (V <sub>SS</sub> ) |  | 4.75  | 5.00   | 5.25     | V     |
| Power Supply Voltage (V <sub>GG</sub> ) |  | -13.5 | -15.00 | -16.5    | V     |
| Power Supply Current (I <sub>SS</sub> ) |  |       |        | 28       | mA    |
| Power Supply Current (I <sub>GG</sub> ) |  |       |        | 34       | mA    |
| Logic "1" Input Voltage                 |  | 3.4   |        |          | V     |
| Logic "0" Input Voltage                 |  |       |        | 0.8      | V     |
| Logic "1" Output Voltage                | V <sub>SS</sub> = 4.75, I <sub>OH</sub> = 100 μA             | 3.8   |        |          | V     |
| Logic "0" Output Voltage                | V <sub>SS</sub> = 5.25, I <sub>OL</sub> = -1.6 mA            |       |        | 0.4      | V     |
| Width of EOC                            | Auto Cycle   | 5/f   |        |          | Sec   |
| Prop. Delay PD to EOC                   |  | 4/f   |        | 5/f+1 μs | Sec   |
| Output Enable Time                      | OE to Any Data Output,<br>SC = 1, P/S = 0                    |       |        | 1.0      | μs    |
| Output Disable Time                     | OE to Any Data Output,<br>SC = 1, P/S = 0                    |       |        | 2.4      | μs    |
| Output Enable Time                      | P/S to Any Data Output<br>Except Polarity, SC = 1,<br>OE = 0 |       |        | 0.9      | μs    |
| Output Disable Time                     | P/S to Any Data Output<br>Except Polarity, SC = 1,<br>OE = 0 |       |        | 2.2      | μs    |
| Output Enable Time                      | SC to Any Data Output,<br>OE = 0, P/S = 0                    |       |        | 1.0      | μs    |
| Output Disable Time                     | SC to Any Data Output,<br>OE = 0, P/S = 0                    |       |        | 2.4      | μs    |
| Prop. Delay Serial Clock                | SCLK to POL/SDO  |       |        | 0.6      | μs    |
| Conversion Time                         | Full Scale   |       |        | 8966/f   | Sec   |
| Conversion Time                         | 100% Overrange   |       |        | 13062/f  | Sec   |

## functional description

### OPERATION

The MM5863 is designed for use with the LF13300 analog front end. Four control signals are supplied to the LF13300 and 1 control signal is required from the LF13300. The conversion cycle is composed of 5 distinct phases. They are: Phase I – Offset Correct; Phase II – Polarity Detect; Phase III – Offset Correct; Phase IV – Ramp Unknown; Phase V – Ramp Reference.

#### Phase I – Offset Correct (256 Clock Periods)

This phase is initiated by taking the Start Conversion (SC) and the Output Enable (OE) lines to a logic "1". At this time, Offset Correct (OC) will be a logic "1". The LF13300 requires this phase to correct any intrinsic offset voltage errors prior to the polarity detect phase.

#### Phase II – Polarity Detect (256 Clock Periods)

This phase is used to determine polarity of the analog input. At the midpoint of this phase, PD from the LF13300 is examined for polarity. If PD = logic "1", then the input voltage is positive. If PD = logic "0", then the input is negative. The Ramp Positive signal (RP) will be a logic "1", and Offset Correct will be logic "0" for the entire phase of 256 clock periods. The above operation is also necessary to determine which integrator input (positive or negative) of the LF13300 should be used for proper A/D conversion (see LF13300 data sheet).

#### Phase III – Offset Correct (256 Clock Periods)

This phase is identical to Phase I and is used by the LF13300 to eliminate any offsets induced as a result of the Polarity Detect Phase. Offset Correct (OC) will be at a logic "1".

#### Phase IV – Ramp Unknown (4096 Clock Periods)

The unknown input voltage is integrated for a fixed time during this phase. The result of the Phase II Polarity Detect Cycle determines whether RP or RN will be at logic "1". If Phase II indicates a positive input, the RP signal will be a logic "1". If phase II indicates a negative input, Ramp Negative (RN) will be a logic

"1". These 2 signals will never be at logic "1" simultaneously.

#### Phase V – Ramp Reference

This phase is a variable length phase depending on the magnitude of the analog input voltage. During this time, Ramp Reference (RR) will be in the logic "1" state. When PD goes to a logic "0" state, or when the internal counter reaches 100% of full scale (8192 clock periods), the Ramp Reference (RR) signal goes to the logic "0" state, the counter output is loaded into the output register, and the End of Conversion, (EOC) signal goes to a logic "1". The Polarity Bit will reflect whatever value was determined during Phase II. The output register will hold the data until a new conversion is completed and new data is loaded into the register. The OE line must be low in the logic "0" state and SC must be high in the logic "1" state to enable the outputs.

### DATA OUTPUTS

Both serial and parallel outputs are available. In either case, OE must be low and SC must be high to enable the outputs. For parallel output, the P/S line must be low in the logic "0" state. For serial outputs, the P/S line must be high. In the serial mode, the data is shifted out of the Polarity/Serial Output POL/SDO line and all other data outputs are in the high impedance state. Each Serial Clock (SCLK) will right shift the output register one bit. Thus, 13 clock pulses are required to fully shift out the data. The data will be shifted out in the following order: Polarity, Overrange, MSB, 2SB, 3SB, . . . , LSB. If OE and P/S are in the logic "0" state and SC in the logic "1" state, all outputs will momentarily go to the logic "1" state for 1 clock period immediately preceding EOC.

### CONTINUOUS CONVERT MODE

In this mode, the End of Conversion (EOC) output is connected to the OE input. As long as SC is in the logic "1" state, then each EOC will initiate a new conversion. The data outputs will be disabled for the first 5 clock cycles after EOC goes high.

### truth table

| INPUT            | SC | OE | P/S | LSB |   |   |   |   |   |   |   |   |   |   |   |   | MSB | OVER-RANGE | POLARITY |   |               |
|------------------|----|----|-----|-----|---|---|---|---|---|---|---|---|---|---|---|---|-----|------------|----------|---|---------------|
| 100% Full Scale  | 1  | 0  | 0   | 1   | 1 | 1 | 1 | 1 | 1 | 1 | 1 | 1 | 1 | 1 | 1 | 1 | 1   | 1          | 1        | 0 | 1             |
| Full Scale       | 1  | 0  | 0   | 1   | 1 | 1 | 1 | 1 | 1 | 1 | 1 | 1 | 1 | 1 | 1 | 1 | 1   | 1          | 0        | 0 | 1             |
| Zero             | 1  | 0  | 0   | 0   | 0 | 0 | 0 | 0 | 0 | 0 | 0 | 0 | 0 | 0 | 0 | 0 | 0   | 0          | 0        | 0 | 1             |
| Zero             | 1  | 0  | 0   | 0   | 0 | 0 | 0 | 0 | 0 | 0 | 0 | 0 | 0 | 0 | 0 | 0 | 0   | 0          | 0        | 0 | 0             |
| –Full Scale      | 1  | 0  | 0   | 1   | 1 | 1 | 1 | 1 | 1 | 1 | 1 | 1 | 1 | 1 | 1 | 1 | 1   | 1          | 0        | 0 | 0             |
| –100% Full Scale | 1  | 0  | 0   | 1   | 1 | 1 | 1 | 1 | 1 | 1 | 1 | 1 | 1 | 1 | 1 | 1 | 1   | 1          | 1        | 0 | 0             |
| Any              | 1  | 1  | X   | Z   | Z | Z | Z | Z | Z | Z | Z | Z | Z | Z | Z | Z | Z   | Z          | Z        | Z | Z             |
| Any              | 1  | 0  | 1   | Z   | Z | Z | Z | Z | Z | Z | Z | Z | Z | Z | Z | Z | Z   | Z          | Z        | Z | Serial Output |
| Any              | 0  | X  | X   | Z   | Z | Z | Z | Z | Z | Z | Z | Z | Z | Z | Z | Z | Z   | Z          | Z        | Z | Z             |

1 = High

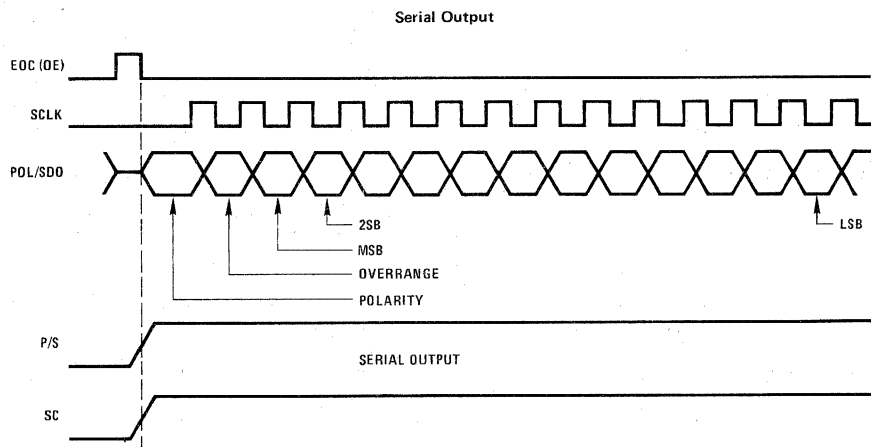
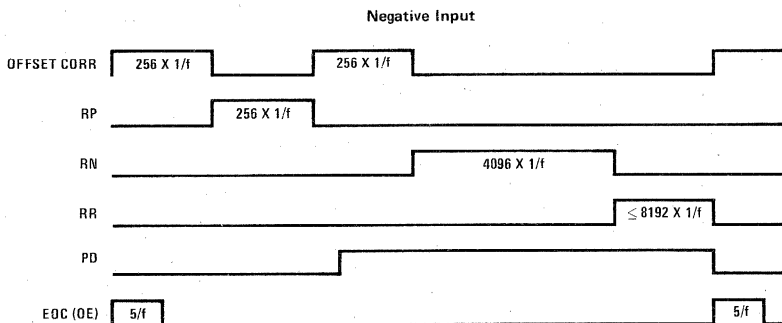
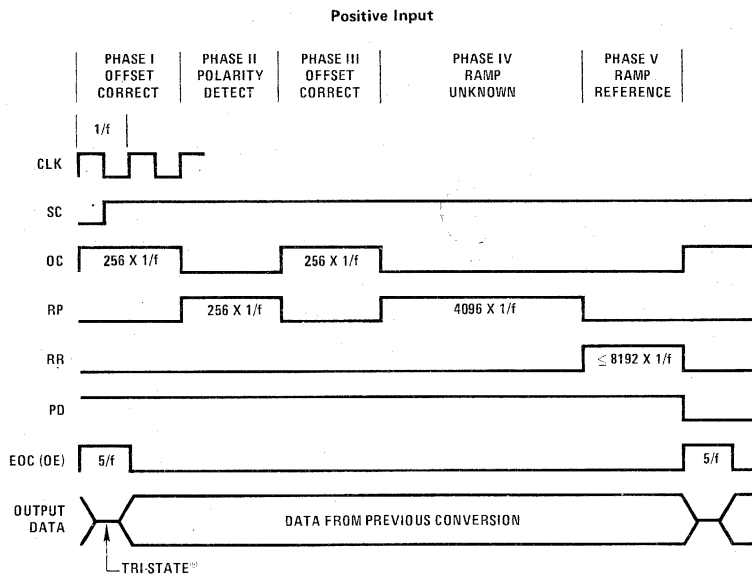
0 = Low

Z = High Impedance

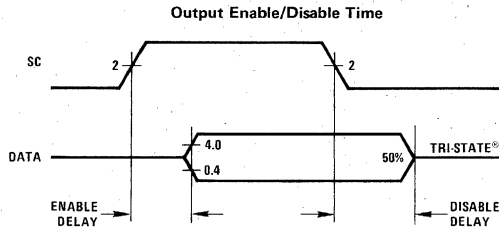
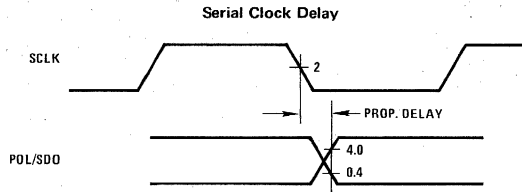
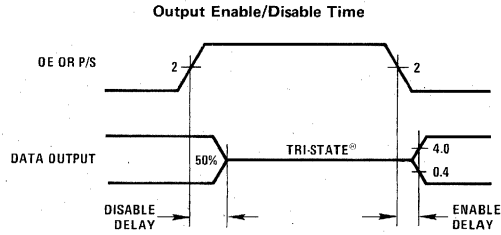
X = Don't Care

## timing diagrams

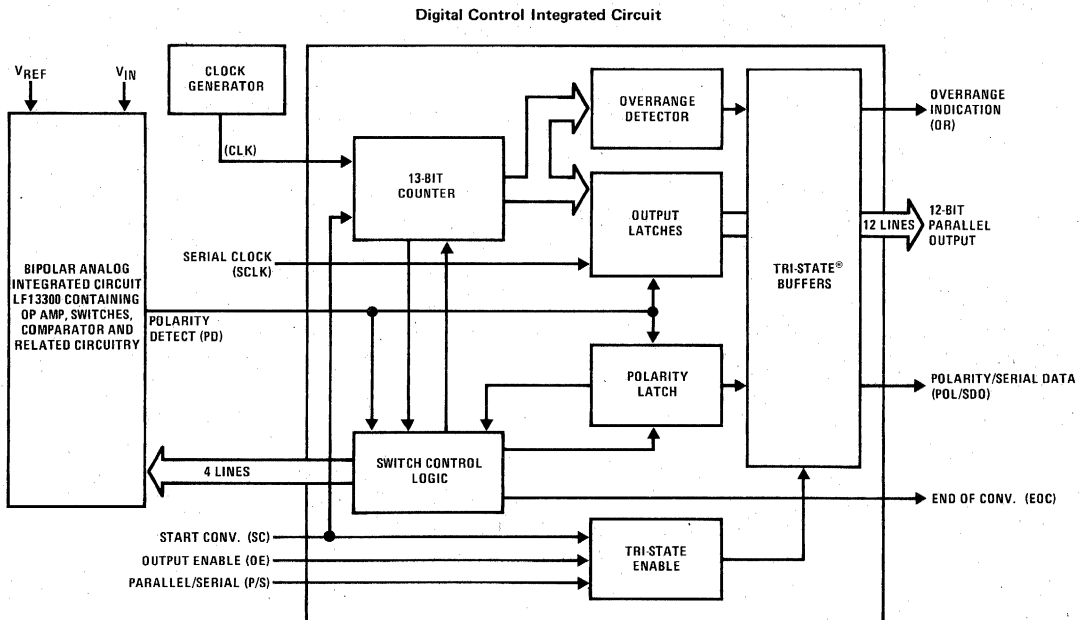
The following timing diagrams are shown for the MM5863 connected in the auto-cycle mode.



timing diagrams (Continued)

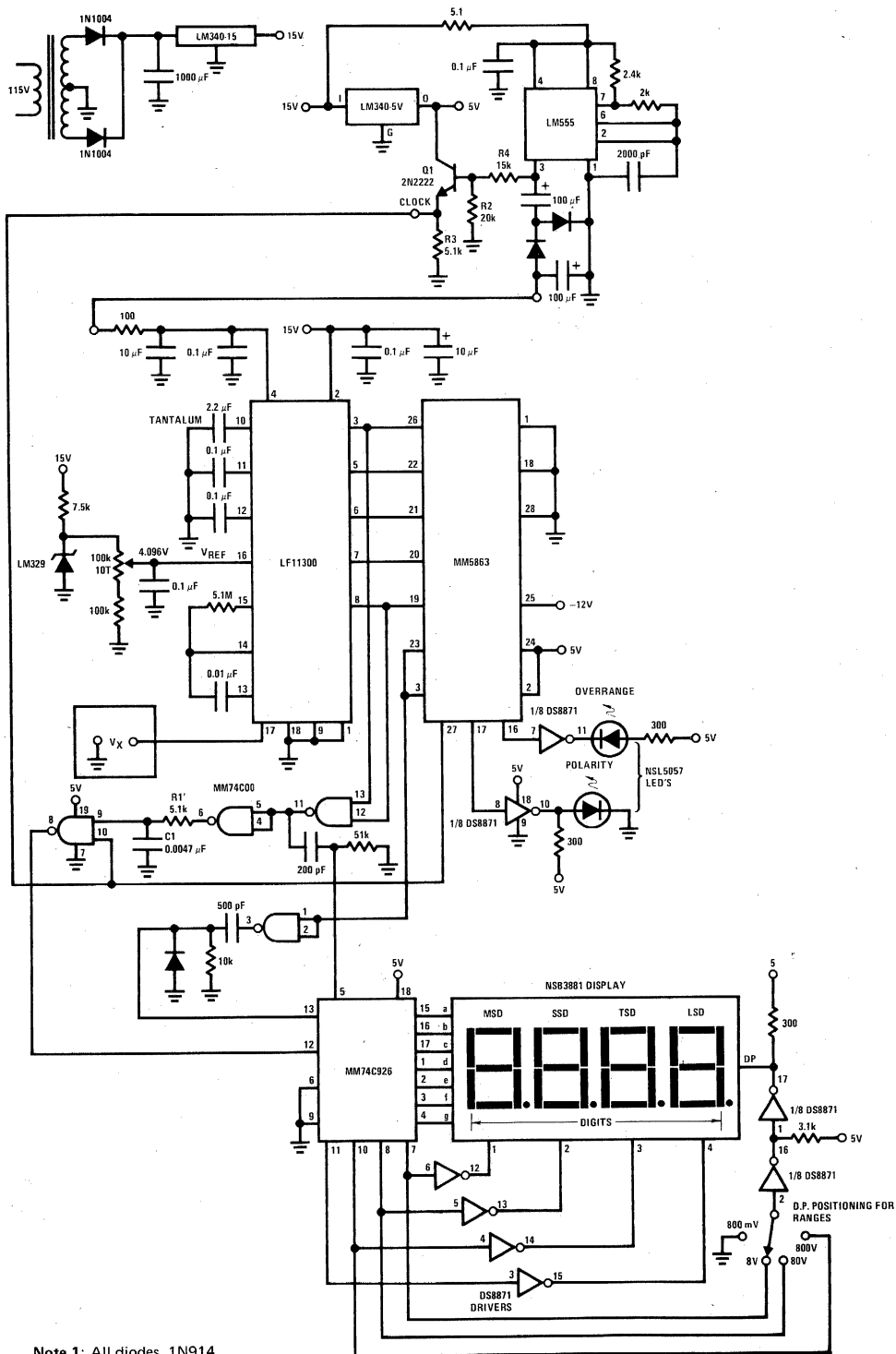


block diagram



typical applications

3 3/4-3 1/2-Digit DPM



- Note 1: All diodes, 1N914.
- Note 2: All resistors 1/4W, 5% tolerance.
- Note 3: Circuit drawn for 8V full scale operation input scaling not shown.



# Analog to Digital (A/D) Converters

## DIGITAL VOLTMETERS AND THE MM5330

### INTRODUCTION

The first of what could be called the modern digital voltmeter began to appear in the early sixties. Prior to that time a few laboratory types were available, but they were plagued by inaccuracy, temperature drifts, and other problems inherent in vacuum tube technology.

One of the first successful, relatively low cost DMVS was a gated voltage-controlled oscillator configuration. The components of this technique consist of a high gain amplifier, a dc-to-frequency converter, and a linear, accurate frequency to-dc-converter developed from the reference voltage, which supplies the summing voltage at the input node. The amplifiers used were of the chopper stabilized type, that is, the error voltage is chopped to from an ac component which is amplified by ac coupled amplifiers then reconverted to dc. The choppers were made with light sensitive resistors, neon bulbs and light pipes.

They were built as the only method possible to avoid the drifts and offsets which were unavoidable in early transistor technology. Obviously the low current op amps so readily available today, are a significant advantage over these old systems.

The gate voltage was developed from the 60 Hz line. A problem which occurs when the gate is asynchronous with the frequency fed to the display counter, is also shown in *Figure 1*. A beat frequency effect is developed between the gate and the dc to frequency converter and produces a cyclic one digit error. These early voltmeters allowed this phenomenon to occur, today cyclic display errors are unacceptable.

A second display characteristic of these early voltmeters, was to use the ripple counters as the display storage, that is, the rippled counts would move through the display until the gate closed and the final value would be displayed. This was done primarily because of the number of discrete devices required to perform counting and latching. With the coming of integrated circuits, displays were improved, latches were employed, and blink-free displays were adopted.

Polarity selection was made by a front panel switch which internally rearranged references and other circuitry.

An example of today's use of the VCO technique is shown in *Figure 2*. This is a low cost digital thermometer, which, while not a DVM, still employs the basic components of the voltage-controlled oscillator system. These are the high gain amplifiers contained in the LM5700, the dc-to-frequency converter consisting of the transistor source and LM555 timer, and the frequency-to-dc converter consisting of the CMOS inverters and reference voltage. This brings up a characteristic of CMOS most useful in DVM's and other analog-to-digital converters, the ability to switch directly to the supply and ground without offsets. In this case the fixed width negative-going pulses, when filtered, produce a feedback voltage directly proportional to the number of pulses—frequency-to-dc conversion.

The early counter storage display system previously mentioned, is shown in *Figure 3*. Because the best display available was the gaseous tube, no attempt was made to blank displays during the counting period. When the gate closed, the counters had reached a certain count and these counts were displayed.

After the development of the integrated circuit, displays took on a configuration as in *Figure 4*. Between the counters and display, latches were placed to display previous data while new counts were accumulated. The cost and pack count of this scheme made another display technique popular, that of multiplexing.

Briefly, this technique consists of connecting, sequentially, each of the latches to a single decoder driver which drove the display digit which corresponded to that latch. When sequenced at a 50 Hz rate or greater, a flicker-free display results. For this type of display system, TRI-STATE<sup>®</sup> counter-latches were developed (*Figure 5*). This technique is still used today in many DVM's.

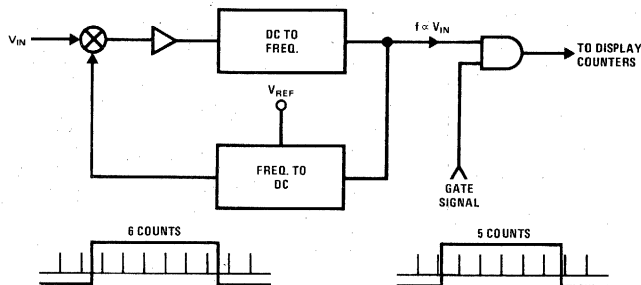


FIGURE 1. Basic VCO Scheme

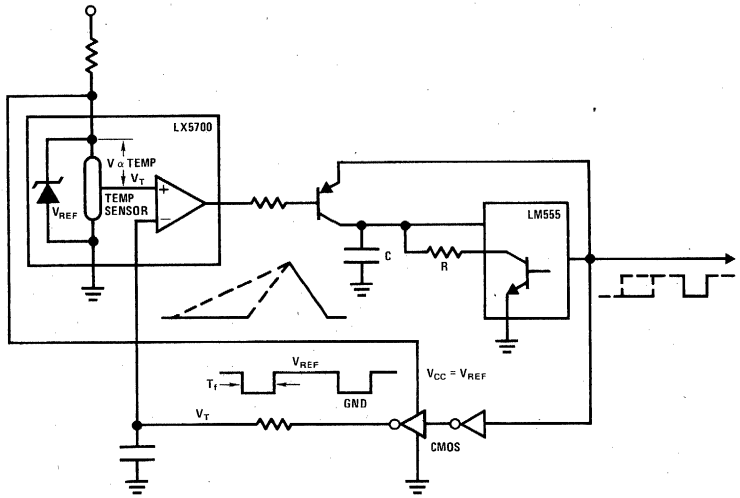


FIGURE 2. Typical VCO Circuit

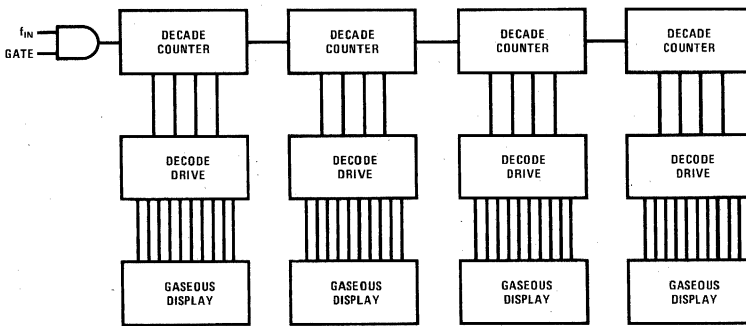


FIGURE 3. Early Display Configuration

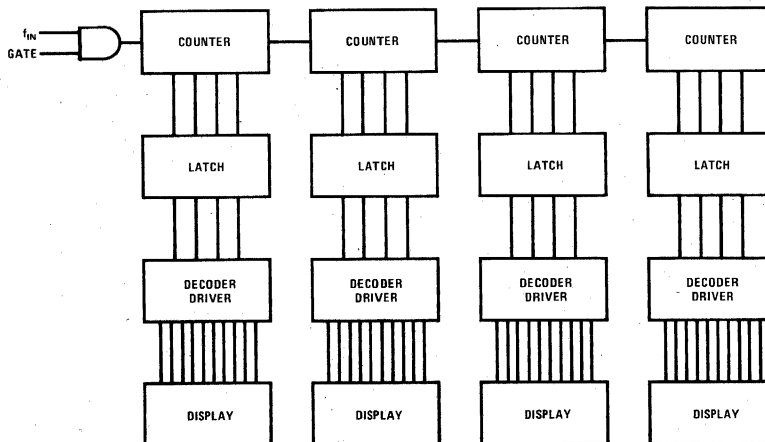


FIGURE 4. Integrated Circuit Display



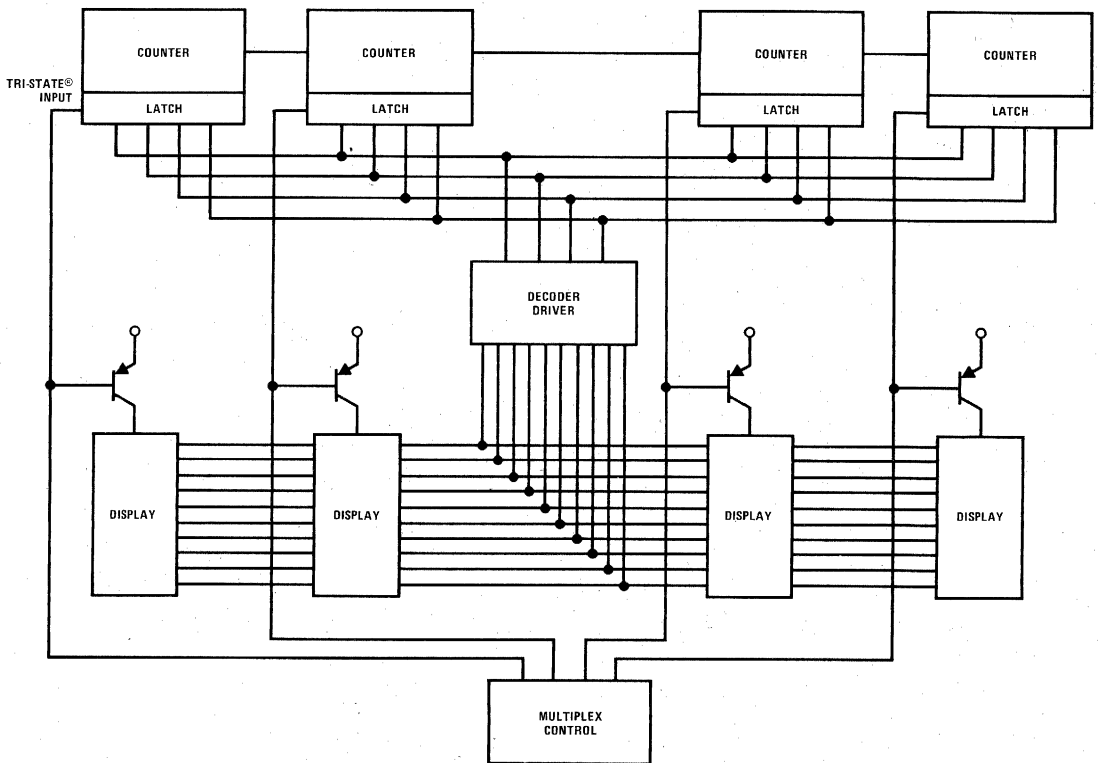


FIGURE 5. Multiplexed Display

While multiplexing cuts display costs considerably, the series connection of counters required to accumulate the counts proportional to voltage, could not be multiplexed to do the very nature of VCO or dual slope voltmeter schemes.

The recirculating remainder circuitry to be discussed next is unique in that the data is both derived and displayed on multiplexed, that is sequential digit basis (as seen in *Figure 6*.)

The technique used in the recirculating remainder circuit is to subtract digit valued voltage steps from the input voltage, until ten times the difference between these two voltages is less than ten times the digit valued steps. The number of voltage steps required is the display data and the ten times the difference voltage becomes the new voltage input for the next digit conversion. An example is shown in *Figure 7*.

An analog input of 6.903V is applied to the  $[(V_{IN} - V_{STEP}) \times 10]$  amplifier. The  $\div 12$  and decade counters are clocked simultaneously until a (difference  $\times 10$ ) less than  $V_{REF}$  is detected by the comparator. At this time, the decade counter stops counting. In this example, the decade counter ceases counting on a six during the digit one period, thus a six is latched in the display. When the digit period ends, both counters are reset and the (difference  $\times 10$ ) voltage is recirculated via the CMOS switch and sample and hold capacitor to become the digit two input voltage (9.03V). The process is then

repeated for the next digit. At a repetition rate of 50 Hz or greater, this produces a flicker-free, blink-free display. As such the recirculating remainder system has but one counter, one latch, and one decoder driver for as many digits as are desired. Once again CMOS is used for its capability to swing directly to the supply rail and controls the R-2R ladder directly from the reference voltage.

Some disadvantages of the system are the difficulties in reading voltages of both polarities and an unusual sort of error characteristic when slight ladder or reference drifts occur. While both VCO and dual slope techniques have gradual slope or linearity errors, the recirculating remainder errors are step-like in response to gradual input voltage changes. Lastly, the update rate is fixed by display flicker requirements and thus measurements of noisy voltages cause an annoying inability to read the last digits. It was however, an accurate low-cost technique used successfully in pre-LSI digital voltmeters.

The most widely used system for analog-to-digital conversion is the dual slope circuit. The basic dual slope system appears in *Figure 8*. Assuming the integrator output at zero when  $V_x$  is applied, the integrator begins to ramp with an output voltage  $V = I_x t/C$  where  $I_x = -V_x/R$ . Simultaneously with the beginning of this ramping, counts from an oscillator are fed into the display counters. At some fixed time, usually counter overflow,  $V_x$  would be disconnected and the reference voltage connected to the resistor. The integrator now ramps at  $V = I_{REF} t/C$  where  $I_{REF} = V_{REF}/R$ .

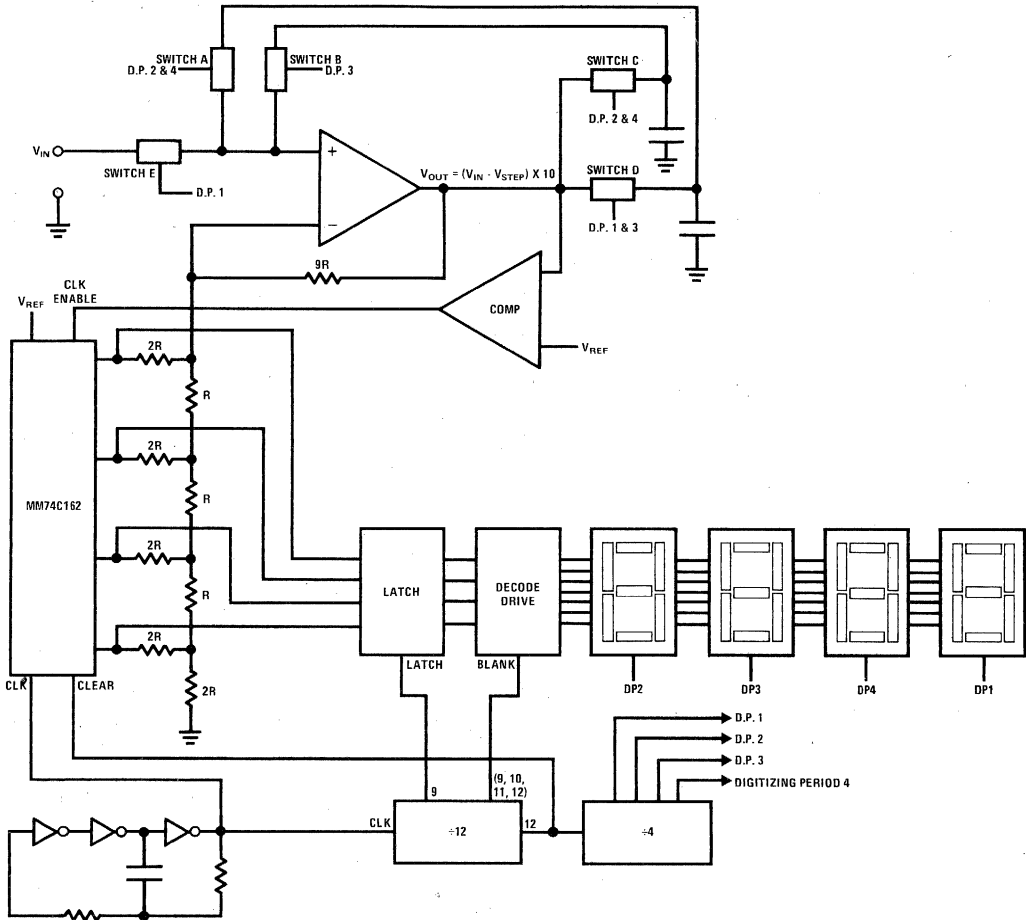
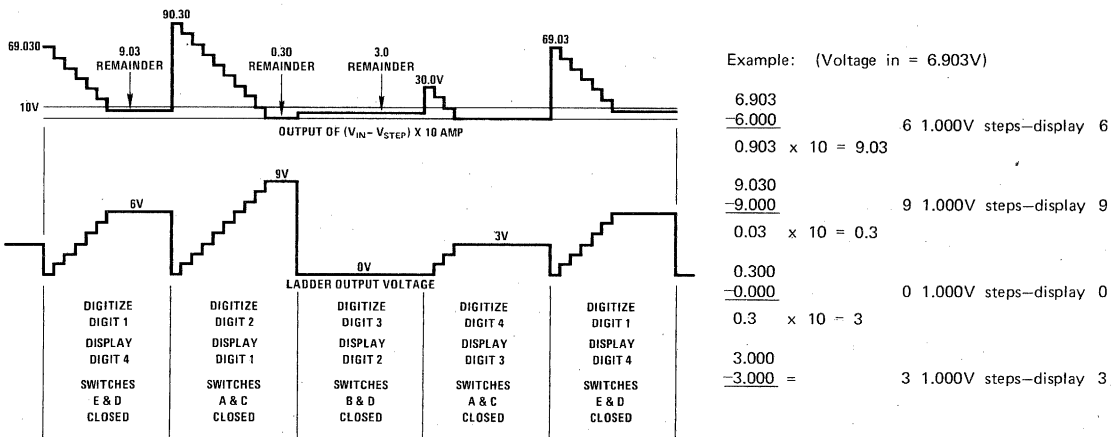


FIGURE 6. Basic Recirculating Remainder System



Example: (Voltage in = 6.903V)

|               |                          |
|---------------|--------------------------|
| 6.903         |                          |
| <u>-6.000</u> | 6 1.000V steps—display 6 |
| 0.903         | $0.903 \times 10 = 9.03$ |
| 9.030         |                          |
| <u>-9.000</u> | 9 1.000V steps—display 9 |
| 0.03          | $0.03 \times 10 = 0.3$   |
| 0.300         |                          |
| <u>-0.000</u> | 0 1.000V steps—display 0 |
| 0.3           | $0.3 \times 10 = 3$      |
| 3.000         |                          |
| <u>-3.000</u> | 3 1.000V steps—display 3 |

FIGURE 7. Recirculating Remainder Waveforms

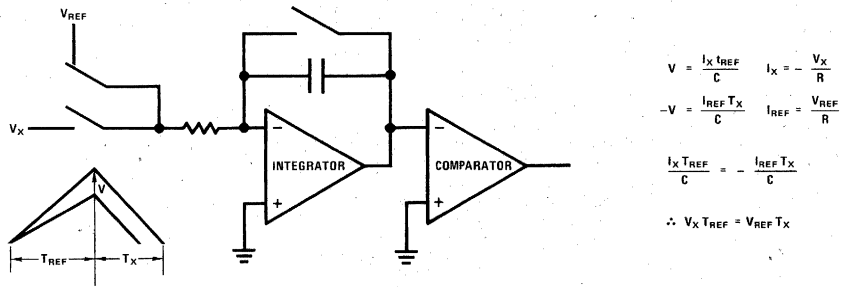


FIGURE 8. Basic Dual Slope

When the integrator crosses the comparator threshold, the counters are latched to the number of counts accumulated from  $T$  to  $T_x$ . Clearly the voltage at  $T_{REF}$  was  $I_x T_{REF}/C$  and the voltage integrated from  $T_{REF}$  to  $T_x$  was  $-I_{REF} T_x/C$  and these two voltages are equal. Therefore,

$$\frac{I_x T_{REF}}{C} = -\frac{I_{REF} T_x}{C} \text{ or}$$

$$V_x T_{REF} = V_{REF} T_x$$

Thus, the number of counts accumulated in the display from  $T_{REF}$  to  $T_x$  is proportional to the unknown voltage. Thus, the basic dual slope system has no gate, and requires stability of the  $R$ ,  $C$  and count frequency only over one conversion period.

The technique for insuring that the ramp begins at zero on each conversion cycle, is to short the capacitor with a switch after each conversion is made. This, of course, forces the integrator output to zero until the next conversion period begins. It is also necessary to start each conversion cycle synchronously with the counter input frequency, or cyclic display errors like that of the gated VCO will appear in the display.

To measure both polarities in conventional dual slope systems,  $V_{REF}$  must change in polarity. A problem which can occur is that bias currents which will add to the slope in one polarity, will subtract from the slope in the other. The usual solution, is to use op amps of very low input bias current. Also offset voltages in either the op amps or comparator can cause significant error unless carefully controlled.

Hence, while conventional dual slope has many advantages, its use requires considerable care in op amp, and comparator selection. Also, the measurement of either polarity requires two reference voltages which are, in accurate systems, quite expensive.

The MM5330 is the display and control for a modified dual slope system. It contains, as shown in *Figure 9*, the counters and latches, together with a multiplexing system to provide four digits of display with one decoder driver. It also provides a sign digit, either plus or minus, and a ten-thousand counts digit for a full display of  $\pm 19999$ . By eliminating the right-most digits it may also be used as a 2 1/2 or 3 1/2 digit DVM chip.

The basic modified dual slope system for which the MM5330 is designed, is shown in *Figure 10*. The integrator is now used in a non-inverting mode and is biased to integrate negatively for all voltages below  $V_{MAX}$ . Thus, if the maximum positive voltage at  $V_{IN}$  is 1.9999V, the  $V_{MAX}$  would be set at 2.2000V. In this way, all voltages measured are below  $V_{MAX}$ . This eliminates the need for reference switching and makes the system automatic polarity, with no additional components. Also, it can be shown that the amplifier input bias currents which cause the aforementioned errors in conventional dual slope systems, are eliminated by merely zeroing the display. Thus, low bias current op amps are not necessarily required unless a high input impedance is desired at  $V_{IN}$ .

Secondly, the use of a conventional op amp for a comparator, allows zeroing of all voltage offsets in both the op amp and comparator. This is achieved by zeroing the voltage on the capacitor through the use of the comparator as part of a negative feedback loop. During the zeroing period, the non-inverting input of the integrator is at  $V_{REF}$ . As this voltage is within the active common-mode range of the integrator the loop will respond by placing the integrator and comparator in the active region. The voltage on the capacitor is no longer equal to zero, but rather to a voltage which is the sum of both the op amp and comparator offset voltages. Because of the intrinsic nature of an integrator, this constant voltage remains throughout the integrating cycle and serves to eliminate even large offset voltages.

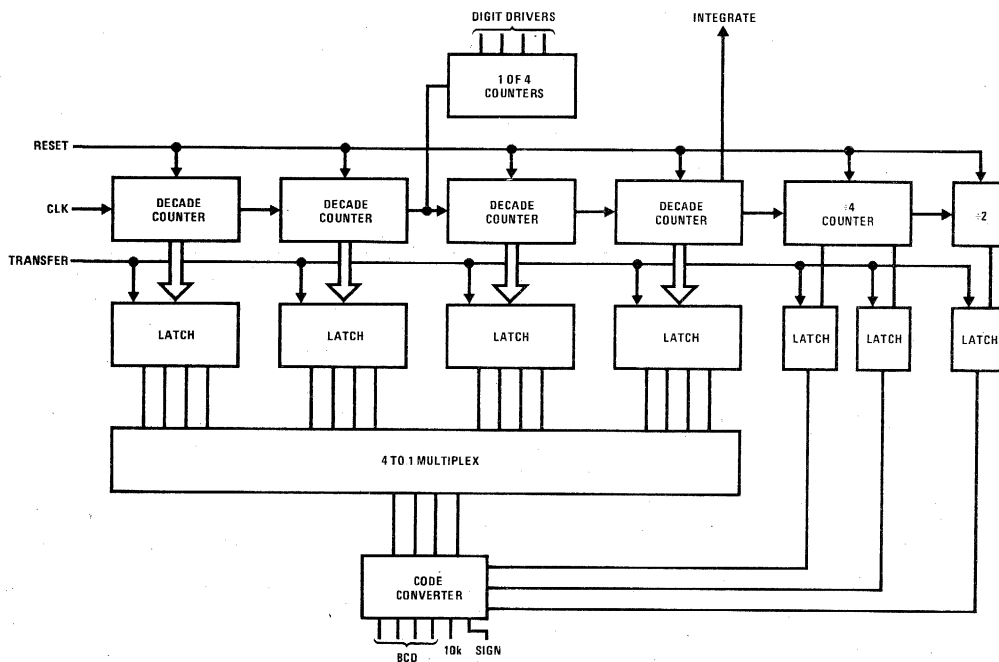


FIGURE 9. Block Diagram MM5330

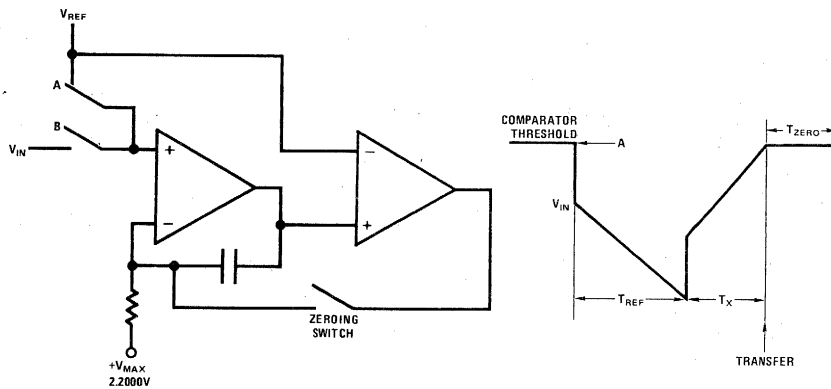


FIGURE 10. Modified Dual Slope

The waveforms at the output of the integrator are as shown. The voltage at A is the comparator threshold just discussed. Simultaneously, with the opening of switch A,  $V_{IN}$  is connected to the input of the integrator via switch B. The output then slews to  $V_{IN}$ . Integration then begins for the reference period, after which time, the reference voltage is again applied to the input. The output again slews the difference between  $V_{REF}$  and  $V_{IN}$  then integrates for the unknown period until the comparator threshold is crossed. At this point, the accumulated counts are transferred from the counters to the latches and zeroing begins until the next conversion interval.

It may be obvious, however, that while we have eliminated several of the basic dual slope circuits disadvantages, we have created another—the number of counts are no longer proportional to  $V_{IN}$  but rather to  $(V_{MAX}-V_{IN})$ . In fact, when we short  $V_{IN}$  to ground we are actually measuring our own  $2.2000V V_{MAX}$ .

What is done in the MM5330 is to code convert the number of counts as shown in *Figure 11*. This chart shows a code conversion starting at the time of a reset. The first 18,000 counts are the reference period after which time the integrator changes slope. If a comparator crossing is detected within the next 2000 counts, a plus overrange condition will occur at the display. This condition results in a lit plus sign, a lit one and four blanked right-most digits. A transfer at 20,000, however, will create a reading of +1.9999, at 20,001 a reading of 19,998 and so on, until at 40,000 a reading of +0000 would be displayed. A transfer occurring at 40,001 would cause a -0001 display and so on until 60,000 counts were entered at which time a -1 with four blanked zeros would be displayed indicating a minus overrange condition.

| COUNTS AFTER<br>RESET | DISPLAY |
|-----------------------|---------|
| 0                     |         |
| ...                   |         |
| 18,000                | +1.---  |
| ...                   |         |
| 19,999                | +1.---  |
| 20,000                | +19999  |
| 20,001                | +19998  |
| ...                   |         |
| 40,000                | + 0000  |
| 40,001                | - 0001  |
| ...                   |         |
| 59,999                | -19999  |
| 60,000                | -1.---  |

FIGURE 11. Code Conversion Table MM5330

A typical circuit for a low cost 4 1/2 digit circuit is shown in *Figure 12*. The display interface used is a TTL, seven-segment decoder driver and four PNP transistors. The  $\pm 1$  digit is driven directly by CMOS. The clock-synchronous reset and transfer functions prevent any cyclic digit variations and present a blink-free flicker-free display. CMOS analog switches are used as reference, zero, and input switches and used also in a comparator slew rate circuit.

A problem with all dual slope systems occurs when short integrating times and high clock frequencies are used. Because of the very slow rise time of the ramp into the comparator, the output of the comparator will normally ramp at approximately 1/10 of its actual slew rate. Thus a significant number of extra counts are displayed due to the slow rate of rise of the comparator. A technique to improve this consists of capacitor  $C_S$  and analog switch section four. An unstable positive loop is created by this capacitor when the comparator comes out of saturation. This causes the output to rise at its slew rate to the comparator threshold. As soon as this threshold is reached the analog switch opens and zeroing is initiated as previously discussed.

The rapid improvement in display and LSI technology has allowed considerable improvement in digital voltmeters. The modified dual slope technique together with the simplified display interface of the MM5330 are felt to be a much improved technique when compared to circuits of just a short time ago. While DVM chips do not by themselves solve all inherent problems, their careful use allows low cost, high accuracy units, with excellent display characteristics.

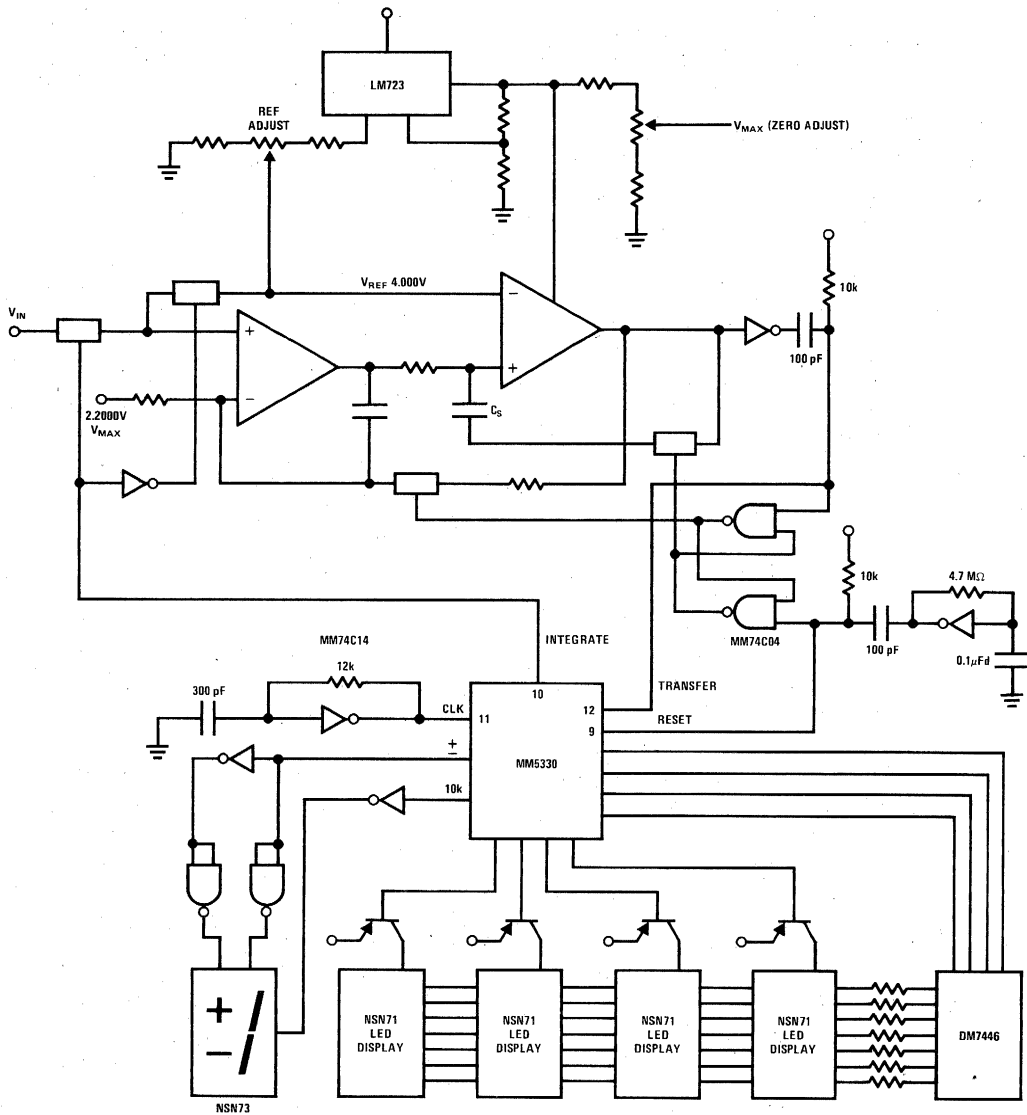


FIGURE 12. Typical Application MM5330



# Analog to Digital (A/D) Converters

## SPECIFYING A/D AND D/A CONVERTERS

The specification or selection of analog-to-digital (A/D) or digital-to-analog (D/A) converters can be a chancey thing unless the specifications are understood by the person making the selection. Of course, you know you want an accurate converter of specific resolution; but how do you insure that you get what you want? For example, 12 switches, 12 arbitrarily valued resistors, and a reference will produce a 12-bit DAC exhibiting 12 quantum steps of output voltage. In all probability, the user wants something better than the expected performance of such a DAC. Specifying a 12-bit DAC or an ADC must be made with a full understanding of accuracy, linearity, differential linearity, monotonicity, scale, gain, offset, and hysteresis errors.

This note explains the meanings of and the relationships between the various specifications encountered in A/D and D/A converter descriptions. It is intended that the meanings be presented in the simplest and clearest practical terms. Included are transfer curves showing the several types of errors discussed. Timing and control signals and several binary codes are described as they relate to A/D and D/A converters.

### MEANING OF PERFORMANCE SPECS

**Resolution** describes the smallest standard incremental change in output voltage of a DAC or the amount of input voltage change required to increment the output of an ADC between one code change and the next adjacent code change. A converter with  $n$  switches can resolve 1 part in  $2^n$ . The least significant increment is then  $2^{-n}$ , or one least significant bit (LSB). In contrast, the most significant bit (MSB) carries a weight of  $2^{-1}$ . Resolution applies to DACs and ADCs, and may be expressed in percent of full scale or in binary bits. For example, an ADC with 12-bit resolution could resolve 1 part in  $2^{12}$  (1 part in 4096) or 0.0245% of full scale. A converter with 10V full scale could resolve a 2.45mV input change. Likewise, a 12-bit DAC would exhibit an output voltage change of 0.0245% of full scale when the binary input code is incremented one binary bit (1 LSB). Resolution is a design parameter rather than a performance specification; it says nothing about accuracy or linearity.

**Accuracy** is sometimes considered to be a non-specific term when applied to D/A or A/D converters. A linearity spec is generally considered as more descriptive. An accuracy specification describes the worst case deviation of the DAC output voltage from a straight line drawn between zero and full scale; it includes all errors. A 12-bit DAC could not have a conversion accuracy better than  $\pm \frac{1}{2}$  LSB or  $\pm 1$  part in  $2^{12+1}$  ( $\pm 0.0122\%$  of full scale due to finite resolution). This would be the case in figure 1 if there were no errors. Actually,  $\pm 0.0122\%$  FS represents a deviation from 100% accuracy; therefore accuracy should be specified as 99.9878%. However, convention would dictate  $\pm 0.0122\%$  as being an accuracy spec rather than an inaccuracy (tolerance or error) spec.

Accuracy as applied to an ADC would describe the difference between the actual input voltage and the full-scale weighted equivalent of the binary output code; included are quantizing and all other errors. If a 12-bit ADC is stated to be  $\pm 1$  LSB accurate, this is equivalent to  $\pm 0.0245\%$  or twice the minimum possible quantizing error of 0.0122%. An accuracy spec describes the maximum sum of all errors including quantizing error, but is rarely provided on data sheets as the several errors are listed separately.

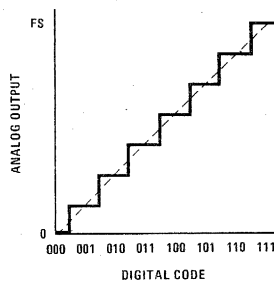


FIGURE 1. Linear DAC Transfer Curve Showing Minimum Resolution Error and Best Possible Accuracy

**Quantizing Error** is the maximum deviation from a straight line transfer function of a perfect ADC. As, by its very nature, an ADC quantizes the analog input into a finite number of output codes, only an infinite resolution ADC would exhibit zero quantizing error. A perfect ADC, suitably offset  $\frac{1}{2}$  LSB at zero scale as shown in figure 2, exhibits only  $\pm\frac{1}{2}$  LSB maximum output error. If not offset, the error will be  $\pm 1$  LSB as shown in figure 3. For example, a perfect 12-bit ADC will show a  $\pm\frac{1}{2}$  LSB error of  $\pm 0.0122\%$  while the quantizing error of an 8-bit ADC is  $\pm\frac{1}{2}$  part in  $2^8$  or  $\pm 0.195\%$  of full scale. Quantizing error is not strictly applicable to a DAC; the equivalent effect is more properly a resolution error.

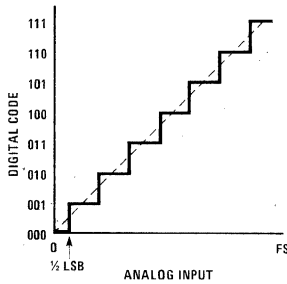


FIGURE 2. ADC Transfer Curve,  $\frac{1}{2}$  LSB Offset at Zero

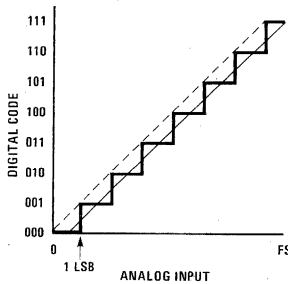


FIGURE 3. ADC Transfer Curve, No Offset

**Scale Error** (full scale error) is the departure from design output voltage of a DAC for a given input code, usually full-scale code. (See figure 4.) In an ADC it is the departure of actual input voltage from design input voltage for a full-scale output code. Scale errors can be caused by errors in reference voltage, ladder resistor values, or amplifier gain, *et. al.* (See **Temperature Coefficient**.) Scale errors may be corrected by adjusting output amplifier gain or reference voltage. If the transfer curve resembles that of figure 7, a scale adjustment at  $\frac{1}{3}$  scale could improve the overall  $\pm$  accuracy compared to an adjustment at full scale.

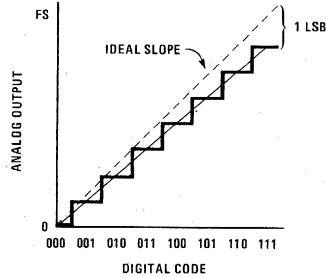


FIGURE 4. Linear, 1 LSB Scale Error

**Gain Error** is essentially the same as scale error for an ADC. In the case of a DAC with current and voltage mode outputs, the current output could be to scale while the voltage output could exhibit a gain error. The amplifier feedback resistors would be trimmed to correct the gain error.

**Offset Error** (zero error) is the output voltage of a DAC with zero code input, or it is the required mean value of input voltage of an ADC to set zero code out. (See figure 5.) Offset error is usually caused by amplifier or comparator input offset voltage or current; it can usually be trimmed to zero with an offset zero adjust potentiometer external to the DAC or ADC. Offset error may be expressed in  $\%$  FS or in fractional LSB.

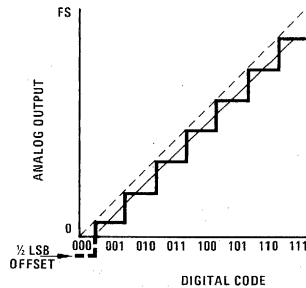


FIGURE 5. Linear,  $\frac{1}{2}$  LSB Offset Error

**Hysteresis Error** in an ADC causes the voltage at which a code transition occurs to be dependent upon the direction from which the transition is approached. This is usually caused by hysteresis in the comparator inside an ADC. Excessive hysteresis may be reduced by design; however, some slight hysteresis is inevitable and may be objectionable in converters if hysteresis approaches  $\frac{1}{2}$  LSB.

**Linearity**, or, more accurately, non-linearity specifications describe the departure from a linear transfer curve for either an ADC or a DAC. Linearity error does not include quantizing, zero, or scale errors. Thus, a specifi-



cation of  $\pm\frac{1}{2}$  LSB linearity implies error in addition to the inherent  $\pm\frac{1}{2}$  LSB quantizing or resolution error. In reference to figure 2, showing no errors other than quantizing error, a linearity error allows for one or more of the steps being greater or less than the ideal shown.

Figure 6 shows a 3-bit DAC transfer curve with no more than  $\pm\frac{1}{2}$  LSB non-linearity, yet one step shown is of zero amplitude. This is within the specification, as the maximum deviation from the ideal straight line is  $\pm 1$  LSB ( $\frac{1}{2}$  LSB resolution error plus  $\frac{1}{2}$  LSB non-linearity). With any linearity error, there is a differential non-linearity (see below). A  $\pm\frac{1}{2}$  LSB linearity spec guarantees monotonicity (see below) and  $\leq \pm 1$  LSB differential non-linearity (see below). In the example of figure 6, the code transition from 100 to 101 is the worst possible non-linearity, being the transition from 1 LSB high at code 100 to 1 LSB low at 101. Any fractional non-linearity beyond  $\pm\frac{1}{2}$  LSB will allow for a non-monotonic transfer curve. Figure 7 shows a typical non-linear curve; non-linearity is  $1\frac{1}{2}$  LSB yet the curve is smooth and monotonic.

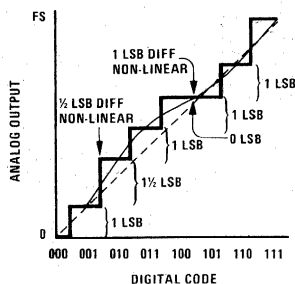


FIGURE 6.  $\pm\frac{1}{2}$  LSB Non-Linearity (Implies 1 LSB Possible Error), 1 LSB Differential Non-Linearity (Implies Monotonicity)

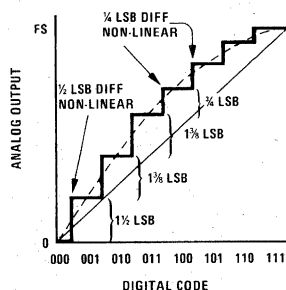


FIGURE 7.  $1\frac{1}{2}$  LSB Non-Linear,  $\frac{1}{2}$  LSB Differential Non-Linearity

Linearity specs refer to either ADCs or to DACs, and do not include quantizing, gain, offset, or scale errors. Linearity errors are of prime importance along with differential linearity in either ADC or DAC specs, as all other errors (except quantizing, and temperature and long-term drifts) may be adjusted to zero. Linearity errors may be expressed in % FS or fractional LSB.

**Differential Non-Linearity** indicates the difference between actual analog voltage change and the ideal (1 LSB) voltage change at any code change of a DAC. For example, a DAC with a 1.5 LSB step at a code change would be said to exhibit  $\frac{1}{2}$  LSB differential non-linearity (see figures 6 and 7). Differential non-linearity may be expressed in fractional bits or in % FS.

Differential linearity specs are just as important as linearity specs because the apparent quality of a converter curve can be significantly affected by differential non-linearity even though the linearity spec is good. Figure 6 shows a curve with a  $\pm\frac{1}{2}$  LSB linearity and  $\pm 1$  LSB differential non-linearity while figure 7 shows a curve with  $+1\frac{1}{2}$  LSB linearity and  $\pm\frac{1}{2}$  LSB differential non-linearity. In many user applications, the curve of figure 7 would be preferred over that of figure 6 because the curve is smoother. The differential non-linearity spec describes the smoothness of a curve; therefore it is of great importance to the user. A gross example of differential non-linearity is shown in figure 8 where the linearity spec is  $\pm 1$  LSB and the differential linearity spec is  $\pm 2$  LSB. The effect is to allow a transfer curve with grossly degraded resolution; the normal 8-step curve is reduced to 3 steps in figure 8. Similarly, a 16-step curve (4-bit converter) with only 2 LSB differential non-linearity could be reduced to 6 steps (a 2.6-bit converter?). The real message is, "Beware of the specs." Do not ignore or omit differential linearity characteristics on a converter unless the linearity spec is tight enough to guarantee the desired differential linearity. As this characteristic is impractical to measure on a production basis, it is rarely, if ever, specified, and linearity is the primary specified parameter. Differential non-linearity can always be as much as twice the non-linearity, but no more.

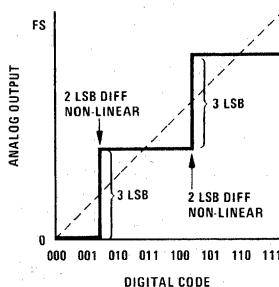


FIGURE 8.  $\pm 1$  LSB Linear,  $\pm 2$  LSB Differential Non-Linear

**Monotonicity.** A monotonic curve has no change in sign of the slope; thus all incremental elements of a monotonically increasing curve will have positive or zero, but never negative slope. The converse is true for decreasing curves. The transfer curve of a monotonic DAC will contain steps of only positive or zero height, and no negative steps. Thus a smooth line connecting all output voltage points will contain no peaks or dips. The transfer function of a monotonic ADC will provide no decreasing output code for increasing input voltage.

Figure 9 shows a non-monotonic DAC transfer curve. For the curve to be non-monotonic, the linearity error must exceed  $\pm\frac{1}{2}$  LSB no matter by how little. The greater the linearity error, the more significant the negative step might be. A non-monotonic curve may not be a special disadvantage in some systems; however, it is a disaster in closed-loop servo systems of any type (including a DAC-controlled ADC). A  $\pm\frac{1}{2}$  LSB maximum linearity spec on an n-bit converter guarantees monotonicity to n bits. A converter exhibiting more than  $\pm\frac{1}{2}$  LSB non-linearity may be monotonic, but is not necessarily monotonic. For example, a 12-bit DAC with  $\pm\frac{1}{2}$  bit linearity to 10 bits (not  $\pm\frac{1}{2}$  LSB) will be monotonic at 10 bits but may or may not be monotonic at 12 bits unless tested and guaranteed to be 12-bit monotonic.

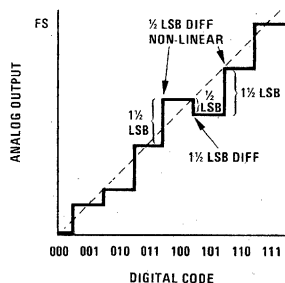
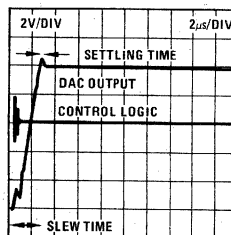
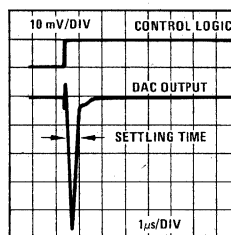


FIGURE 9. Non-Monotonic (Must be  $> \pm\frac{1}{2}$  LSB Non-Linear)



(a) Full-Scale Step



(b) 1 LSB Step

FIGURE 10. DAC Slew and Settling Time

**Settling Time** is the elapsed time after a code transition for DAC output to reach final value within specified limits, usually  $\pm\frac{1}{2}$  LSB. (See also **Conversion Rate** below.) Settling time is often listed along with a slew rate specification; if so, it may not include slew time. If no slew rate spec is included, the settling time spec must be expected to include slew time. Settling time is usually summed with slew time to obtain total elapsed time for the output to settle to final value. Figure 10 delineates that part of the total elapsed time which is considered to be slew and that part which is settling time. It is apparent from this figure that the total time is greater for a major than for a minor code change due to amplifier slew limitations, but settling time may also be different depending upon amplifier overload recovery characteristics.

**Slew Rate** is an inherent limitation of the output amplifier in a DAC which limits the rate of change of output voltage after code transitions. Slew rate is usually anywhere from 0.2 to several hundred volts/ $\mu$ s. Delay in reaching final value of DAC output voltage is the sum of slew time and settling time as shown in figure 10.

**Overshoot and Glitches** occur whenever a code transition occurs in a DAC. There are two causes. The current output of a DAC contains switching glitches due to possible asynchronous switching of the bit currents (expected to be worst at half-scale transition when all

bits are switched). These glitches are normally of extremely short duration but could be of  $\frac{1}{2}$  scale amplitude. The current switching glitches are generally somewhat attenuated at the voltage output of the DAC because the output amplifier is unable to slew at a very high rate; they are, however, partially coupled around the amplifier via the amplifier feedback network and seen at the output. The output amplifier introduces overshoot and some non-critically damped ringing which may be minimized but not entirely eliminated except at the expense of slew rate and settling time.

**Temperature Coefficient** of the various components of a DAC or ADC can produce or increase any of the several errors as the operating temperature varies. Zero scale offset error can change due to the TC of the amplifier and comparator input offset voltages and currents. Scale error can occur due to shifts in the reference, changes in ladder resistance or non-compensating RC product shifts in dual-slope ADCs, changes in beta or reference current in current switches, changes in amplifier bias current, or drift in amplifier gain-set resistors. Linearity and monotonicity of the DAC can be affected by differential temperature drifts of the ladder resistors and switches. Overshoot, settling time, and slew rate can be affected by temperature due to internal change in amplifier gain and bandwidth. In short, every specification except resolution and quantizing error can be affected by temperature changes.

**Long-Term Drift**, due mainly to resistor and semiconductor aging can affect all those characteristics which temperature change can affect. Characteristics most commonly affected are linearity, monotonicity, scale, and offset. Scale change due to reference aging is usually the most important change.

**Supply Rejection** relates to the ability of a DAC or ADC to maintain scale, offset, TC, slew rate, and linearity when the supply voltage is varied. The reference must, of course, remain constant unless considering a multiplying DAC. Most affected are current sources (affecting linearity and scale) and amplifiers or comparators (affecting offset and slew rate). Supply rejection is usually specified only as a % FS change at or near full scale at 25°C.

**Conversion Rate** is the speed at which an ADC or DAC can make repetitive data conversions. It is affected by propagation delay in counting circuits, ladder switches and comparators; ladder RC and amplifier settling times; amplifier and comparator slew rates; and integrating time of dual-slope converters. Conversion rate is specified as a number of conversions per second, or conversion time is specified as a number of microseconds to complete one conversion (including the effects of settling time). Sometimes, conversion rate is specified for less than full resolution, thus showing a misleading (high) rate.

**Clock Rate** is the minimum or maximum pulse rate at which ADC counters may be driven. There is a fixed relationship between the minimum conversion rate and the clock rate depending upon the converter accuracy and type. All factors which affect conversion rate of an ADC limit the clock rate.

**Input Impedance** of an ADC describes the load placed on the analog source.

**Output Drive Capability** describes the digital load driving capability of an ADC or the analog load driving capacity of a DAC; it is usually given as a current level or a voltage output into a given load.

## CODES

Several types of DAC input or ADC output codes are in common use. Each has its advantages depending upon the system interfacing the converter. Most codes are binary in form; each is described and compared below.

**Natural Binary** (or simply Binary) is the usual  $2^n$  code with 2, 4, 8, 16, . . . ,  $2^n$  progression. An input or output high or "1" is considered a signal, whereas a "0" is considered an absence of signal. This is a positive true binary signal. Zero scale is then all "zeros" while full scale is all "ones."

**Complementary Binary** (or Inverted Binary) is the negative true binary system. It is identical to the binary code except that all binary bits are inverted. Thus, zero scale is all "ones" while full scale is all "zeros."

**Binary Coded Decimal (BCD)** is the representation of decimal numbers in binary form. It is useful in ADC systems intended to drive decimal displays. Its advantage over decimal is that only 4 lines are needed to represent 10 digits. The disadvantage of coding DACs or ADCs in BCD is that a full 4 bits could represent 16 digits while only 10 are represented in BCD. The full-scale resolution of a BCD coded system is less than that of a binary

coded system. For example, a 12-bit BCD system has a resolution of only 1 part in 1000 compared to 1 part in 4096 for a binary system. This represents a loss in resolution of over 4:1.

**Offset Binary** is a natural binary code except that it is offset (usually  $\frac{1}{2}$  scale) in order to represent negative and positive values. Maximum negative scale is represented to be all "zeros" while maximum positive scale is represented as all "ones." Zero scale (actually center scale) is then represented as a leading "one" and all remaining "zeros." The comparison with binary is shown in figure 11.

**Twos Complement Binary** is an alternate and more widely used code to represent negative values. With this code, zero and positive values are represented as in natural binary while all negative values are represented in a twos complement form. That is, the twos complement of a number represents a negative value so that interface to a computer or microprocessor is simplified. The twos complement is formed by complementing each bit and then adding a 1; any overflow is neglected. The decimal number -8 is represented in twos complement as follows: start with binary code of decimal 8 (off scale for  $\pm$  representation in 4 bits so not a valid code in the  $\pm$  scale of 4 bits) which is 1000; complement it to 0111; add 0001 to get 1000. The comparison with offset binary is shown in figure 11. Note that the offset binary representation of the  $\pm$  scale differs from the twos complement representation only in that the MSB is complemented. The conversion from offset binary to twos complement only requires that the MSB be inverted.

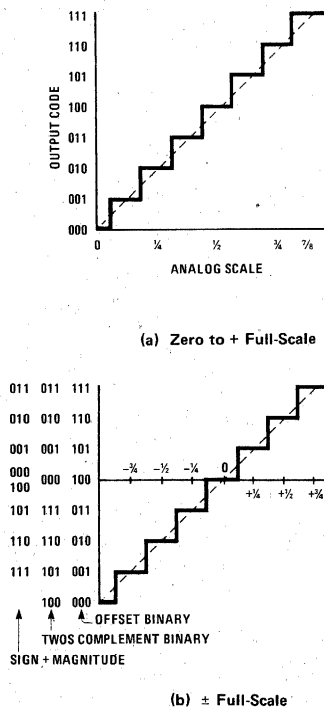


FIGURE 11. ADC Codes

**Sign Plus Magnitude** coding contains polarity information in the MSB (MSB = 1 indicates a negative sign); all other bits represent magnitude only. This code is compared to offset binary and twos complement in figure 11. Note that one code is used up in providing a double code for zero. Sign plus magnitude code is used in certain instrument and audio systems; its advantage is that only one bit need be changed for small scale changes in the vicinity of zero, and plus and minus scales are symmetrical. A DVM might be an example of its use.

#### CONTROL

Each ADC must accept and/or provide digital control signals telling it and/or the external system what to do and when to do it. Control signals should be compatible with one or more types of logic in common use. Control signal timing must be such that the converter or connected system will accept the signals. Common control signals are listed below.

**Start Conversion (SC)** is a digital signal to an ADC which initiates a single conversion cycle. Typically, an SC signal must be present at the fall (or rise) of the clock waveform to initiate the cycle. A DAC needs no SC signal; however, such could be provided to gate digital inputs to a DAC.

**End of Conversion (EOC)** is a digital signal from an ADC which informs the external system that the digital output

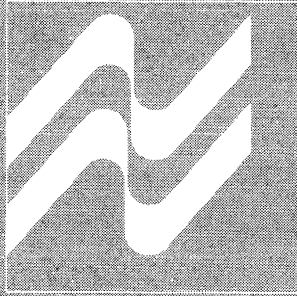
data is valid. Typically, an EOC output can be connected to an SC input to cause the ADC to operate in continuous conversion mode. In non-continuous conversion systems, the SC signal is a command from the system to the ADC. A DAC does not supply an EOC signal.

**Clock** signals are required or must be generated within an ADC to control counting or successive approximation registers. The clock controls the conversion speed within the limitations of the ADC. DACs do not require clock signals.

#### CONCLUSION

Once the user has a working knowledge of DAC or ADC characteristics and specifications, he should be able to select a converter to suit a specific system need. The likelihood of overspecification, and therefore an unnecessarily high cost, is likewise reduced. The user will also be aware that specific parameters, test conditions, test circuits, and even definitions may vary from manufacturer to manufacturer. For practical production reasons, parameters may not be tested in the same manner for all converter types, even those supplied by the same manufacturer. Using information in this note, the user should, however, be able to sort out and understand those specifications (from any manufacturer) pertinent to his needs.





**SECTION 6**  
**COMMUNICATIONS/CB**  
**RADIO CIRCUITS**



# Communications/CB Radio Circuits

## MM5303 universal fully asynchronous receiver/transmitter general description

The MM5303 is a fully asynchronous receiver/transmitter, fabricated with National's metal-gate, depletion load, PMOS technology. All inputs and outputs are fully TTL compatible, requiring no external resistors or level shifting.

This device is a programmable interface between an asynchronous serial data channel and a parallel data channel. The transmitter section converts parallel data into a serial word which includes: start bit, data, parity bit (if selected), and stop bit(s). The receiver converts a serial word of the same format into a parallel one and automatically checks start bit, parity (if selected), and stop bit(s).

Both transmitter and receiver are doubly buffered; in addition, received data out and status words may be TRI-STATEd, facilitating bus configurations.

Status conditions are: transmission complete, Tx buffer register empty, Rx data available, parity error, framing error, and over-run error.

The MM5303 is fully programmable. It can operate full or half duplex, transmitting and receiving simultaneously at different baud rates; word length may be 5, 6, 7 or 8 bits; parity generation/checking may be even, odd or inhibited; the number of stop bits may be either 1 or 2, with 1 1/2 bits when transmitting a 5 bit code.

### features

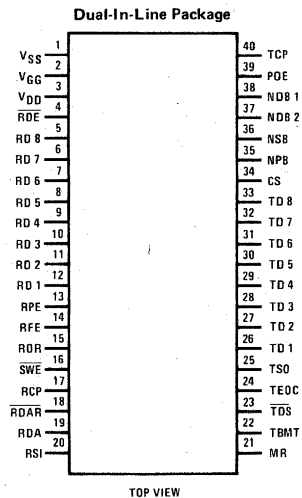
- Low power
- High speed

- Fully externally programmable:
  - Word length
  - Parity mode
  - Number of stop bits
- Fully double buffered eliminating need for precise synchronization
- Full or half duplex operation
- Direct TTL/DTL compatibility
- Automatic data received/transmitted status generation
- TRI-STATE outputs
- Automatic start bit generation/verification
- Internal pull-ups on all inputs

### applications

- Peripherals
- Terminals
- Mini computers
- Facsimile transmission
- Modems
- Concentrators
- Asynchronous data multiplexers
- Card and tape readers
- Printers
- Data sets
- Controllers
- Keyboard encoders
- Remote data acquisition systems
- Asynchronous data cassettes

### connection diagram



Order Number MM5303N  
See Package 24

**absolute maximum ratings** (Note 1)

|  |   |
|--|---|
| Voltage at Any Pin                       | $V_{SS} - 25V/V_{SS} + 0.3V^*$                  |
| Operating Temperature Range              | $-25^{\circ}\text{C}$ to $+70^{\circ}\text{C}$  |
| Storage Temperature Range                | $-65^{\circ}\text{C}$ to $+150^{\circ}\text{C}$ |
| Lead Temperature (Soldering, 10 seconds) | $300^{\circ}\text{C}$                           |

\*Outputs should not have more than  $V_{SS} - 15V$

**dc electrical characteristics**

$T_A$  within operating temperature range,  $V_{SS} = 5V \pm 5\%$ ,  $V_{DD} = 0V$ ,  $V_{GG} = -12V \pm 5\%$  unless otherwise noted.

| PARAMETER                                   | CONDITIONS  | MIN          | TYP | MAX          | UNITS         |
|---|---|--------------|-----|--------------|---------------|
| $V_{IH}$ High Input Voltage Levels          | (Note 3)  | $V_{SS}-1.5$ |     | $V_{SS}+0.3$ | V             |
| $V_{IL}$ Low Input Voltage Levels           |   | $V_{DD}$     |     | 0.8          | V             |
| $V_{OH}$ High Output Voltage Levels         | $I_{OH} = -100\mu\text{A}$  | 2.4          |     |              | V             |
| $V_{OL}$ Low Output Voltage Levels          | $I_{OL} = 1.6\text{ mA}$  |              |     | 0.4          | V             |
| $I_{IH}$ High Level Input Current Levels    | $V_{IN} = V_{SS}$   |              |     | 10           | $\mu\text{A}$ |
| $I_{IL}$ Low Level Input Current Levels     | $V_{IN} = 0.4V, V_{SS} = 5.25V$   |              |     | 1.6          | mA            |
| $I_{OL}$ Output Leakage Current Level       | $\overline{SWE} = \overline{RDE} = V_{IH},$<br>$0 \leq V_{OUT} \leq 5V$ |              |     | -1           | $\mu\text{A}$ |
| $I_{OS}$ Output Short Circuit Current Level | $V_{OUT} = 0V$ , (Note 4)   |              |     | 25           | mA            |
| $C_{IN}$ Input Capacitance<br>All Inputs    | (Note 2)<br>$V_{IN} = V_{SS}, f = 1\text{ MHz}$                         |              | 5   | 10           | pF            |
| $C_{OUT}$ Output Capacitance<br>All Outputs | $\overline{SWE} = \overline{RDE} = V_{IH}, f = 1\text{ MHz}$            |              | 10  | 20           | pF            |
| $I_{SS}$ Power Supply Current               | All Inputs at $V_{SS}$  |              | 13  | 25           | mA            |
| $I_{GG}$ Power Supply Current               | All Inputs at $V_{SS}$  |              | 6   | 15           | mA            |

**ac electrical characteristics** at  $25^{\circ}\text{C}$ 

| PARAMETER  | CONDITIONS  | MIN | TYP | MAX | UNITS         |
|--|---|-----|-----|-----|---------------|
| Clock Frequency                                  | RCP, TCP  | dc  |     | 500 | kHz           |
| $t_{PW}$ Pulse Width                             |   |     |     |     |               |
| Clock  | RCP, TCP  | 1   |     |     | $\mu\text{s}$ |
| Master Reset                                     | MR  | 5   |     |     | $\mu\text{s}$ |
| Control Strobe                                   | CS  | 1   |     |     | $\mu\text{s}$ |
| Tx Data Strobe                                   | $\overline{TDS}$  | 300 |     |     | ns            |
| Rx Data Available Reset                          | $\overline{RDAR}$ , (Note 5)                            | 200 |     |     | ns            |
| $t_C$ Coincidence Time                           | $\overline{TDS}$  | 300 |     |     | ns            |
|  | CS  | 1   |     |     | $\mu\text{s}$ |
| $t_{SET}$ Input Set-Up Time                      | TD1–TD8   | 0   |     |     | ns            |
|  | NPB, NSB, NDB, POE                                      | 0   |     |     | ns            |
| $t_{HOLD}$ Input Hold Time                       | TD1–TD8   | 300 |     |     | ns            |
|  | NPB, NSB, NDB, POE                                      | 0   |     |     | ns            |
| $t_{pd0}$ Output Propagation Delay to Low State  | $\overline{RDE}, \overline{SWE}$ Enable to Outputs Low  |     |     | 500 | ns            |
| $t_{pd1}$ Output Propagation Delay to High State | $\overline{RDE}, \overline{SWE}$ Enable to Outputs High |     |     | 500 | ns            |

**Note 1:** "Absolute Maximum Ratings" are those values beyond which the safety of the device cannot be guaranteed. Except for "Operating Temperature Range" they are not meant to imply that the devices should be operated at these limits. The table of "Electrical Characteristics" provides conditions for actual device operation.

**Note 2:** Capacitance is guaranteed by periodic testing.

**Note 3:** Positive true logic notation is used:

Logic "1" = most positive voltage level

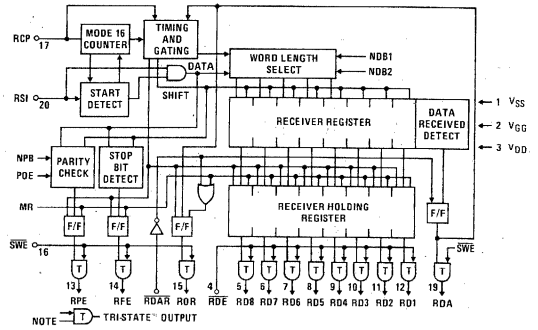
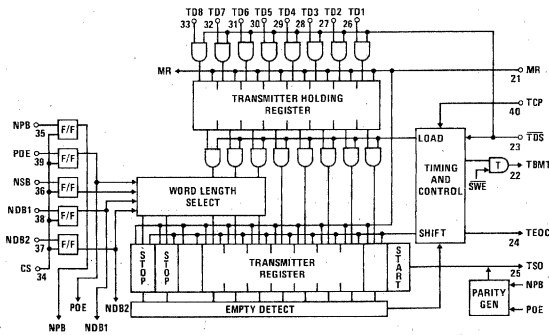
Logic "0" = most negative voltage level

**Note 4:** Only one output should be shorted at a time.

**Note 5:** Refer to Receiver Timing diagram for detail.

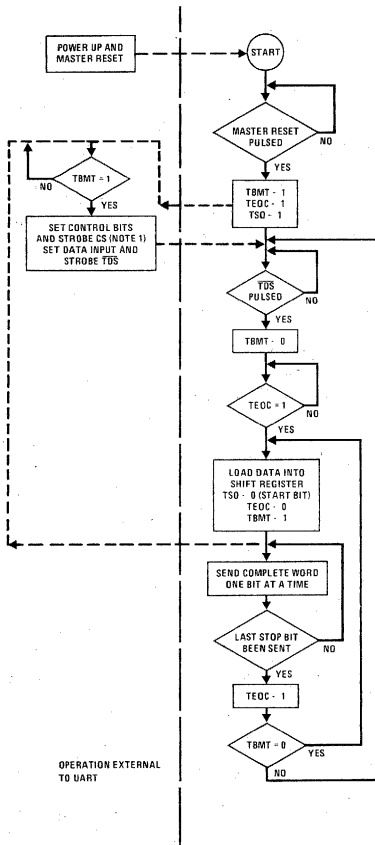


functional block diagrams

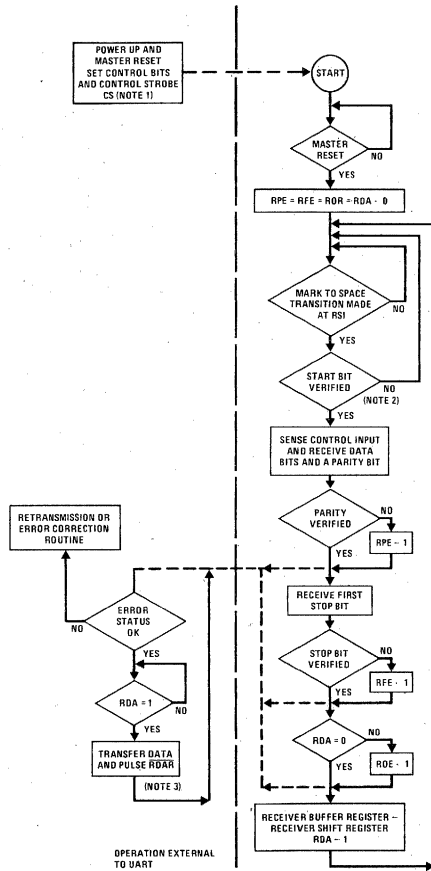


flow charts

Transmitting Sequence



Receiving Sequence



**Note 1:** Control Strobe should be made only at the beginning of transmission. It may be tied high if no change is necessary.

**Note 2:** The line must stay low for 8 RCP pulses to be verified.

**Note 3:** RDAR ← 0 will cause RDA ← 0, refer to receiver timing for detail.

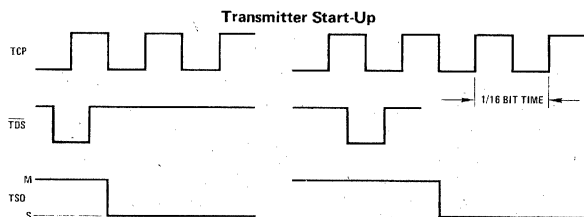
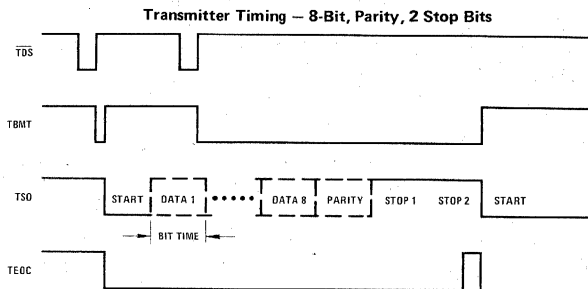
## pin functions

| PIN NO. | SYMBOL                   | NAME                                | FUNCTION   |
|---------|--------------------------|-------------------------------------|--|
| 1       | V <sub>SS</sub>          | Power Supply                        | +5V supply   |
| 2       | V <sub>GG</sub>          | Power Supply                        | -12V supply  |
| 3       | V <sub>DD</sub>          | Ground                              | Ground   |
| 4       | $\overline{\text{RDE}}$  | Received Data Enable                | A low-level input enables the outputs (RD8-RD1) of the receiver buffer register.   |
| 5-12    | RD8-RD1                  | Receiver Data Outputs               | These are the 8 TRI-STATE data outputs enabled by $\overline{\text{RDE}}$ . Unused data output lines, as selected by NDB1 and NDB2, have a low-level output, and received characters are right justified, i.e., the LSB always appears on the RD1 output.                                    |
| 13      | RPE                      | Receiver Parity Error Output        | This TRI-STATE output (enabled by $\overline{\text{SWE}}$ ) is at a high-level if the received character parity bit does not agree with the selected parity.   |
| 14      | RFE                      | Receiver Framing Error Output       | This TRI-STATE output (enabled by $\overline{\text{SWE}}$ ) is at a high-level if the received character has no valid stop bit.  |
| 15      | ROR                      | Receiver Over Run Output            | This TRI-STATE output (enabled by $\overline{\text{SWE}}$ ) is at a high-level if the previously received character is not read (RDA output not reset) before the present character is transferred into the receiver buffer register.  |
| 16      | $\overline{\text{SWE}}$  | Status Word Enable Input            | A low-level input enables the outputs (RPE, RFE, ROR, RDA, and TBMT) of the status word buffer register.   |
| 17      | RCP                      | Receiver Clock                      | This input is a clock whose frequency is 16 times (16X) the desired receiver baud rate.  |
| 18      | $\overline{\text{RDAR}}$ | Receiver Data Available Reset Input | A low-level input resets the RDA output to a low-level.  |
| 19      | RDA                      | Receiver Data Available Output      | This TRI-STATE output (enabled by $\overline{\text{SWE}}$ ) is at a high-level when an entire character has been received and transferred into the receiver buffer register.   |
| 20      | RSI                      | Receiver Serial Input               | This input accepts the serial bit input stream. A high-level (mark) to low-level (space) transition is required to initiate data reception.  |
| 21      | MR                       | Master Reset                        | This input should be pulsed to a high-level after power turn-on. This sets TSO, TEOC, and TBMT to a high-level and resets RDA, RPE, RFE and ROR to a low-level.  |
| 22      | TBMT                     | Transmitter Buffer Empty Output     | This TRI-STATE output (enabled by $\overline{\text{SWE}}$ ) is at a high-level when the transmitter buffer register is empty and may be loaded with new data.  |
| 23      | $\overline{\text{TDS}}$  | Transmitter Data Strobe Input       | A low-level input strobe enters the data bits into the transmitter buffer register.  |
| 24      | TEOC                     | Transmitter End of Character Output | This output appears as a high-level each time a full character is transmitted. It remains at this level until the start of transmission of the next character or for one full TCP period in the case of continuous transmission.   |
| 25      | TSO                      | Transmitter Serial Output           | This output serially provides the entire transmitted character. TSO remains at a high-level when no data is being transmitted.   |
| 26-33   | TD1-TD8                  | Transmitter Data Inputs             | There are 8 data input lines (strobed by $\overline{\text{TDS}}$ ) available. Unused data input lines, as selected by NDB1 and NDB2, may be in either logic state. The LSB should always be placed on TD1.   |
| 34      | CS                       | Control Strobe Input                | A high-level input enters the control bits (NDB1, NDB2, NSB, POE and NPB) into the control bits holding register. This line may be strobed or hard wired to a high-level.  |
| 35      | NPB                      | No Parity Bit                       | A high-level input eliminates the parity bit from being transmitted; the stop bit(s) immediately follow the last data bit. In addition, the receiver requires the stop bit(s) to follow immediately after the last data bit. Also, the RPE output is forced to a low-level. See pin 39, POE. |
| 36      | NSB                      | Number of Stop Bits                 | This input selects the number of stop bits, 1, 1 1/2, or 2 to be transmitted. A low-level input selects 1 stop bit; a high-level input selects 2 stop bits, except when 5-bit data is selected, then 1 1/2 stop bits will occur.   |

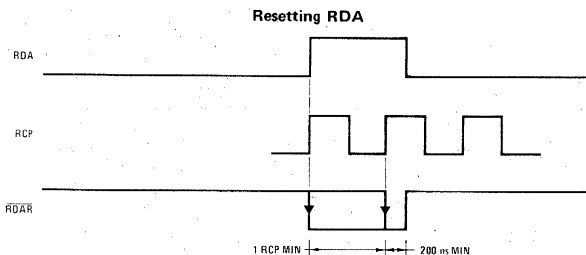
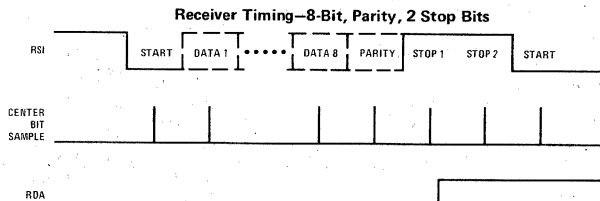
pin functions (con't)

| PIN NO. | SYMBOL        | NAME                               | FUNCTION   |      |      |                     |   |   |            |   |   |             |   |   |           |   |   |   |
|---------|---------------|------------------------------------|--|------|------|---------------------|---|---|------------|---|---|-------------|---|---|-----------|---|---|---|
| 37-38   | NDB2,<br>NDB1 | Number of Data Bits/<br>Character. | These 2 inputs are internally decoded to select either 5, 6, 7 or 8 data bits/ character as per the following truth table:<br><table border="1"> <thead> <tr> <th>NDB2</th> <th>NDB1</th> <th>data bits/character</th> </tr> </thead> <tbody> <tr> <td>L</td> <td>L</td> <td>5</td> </tr> <tr> <td>L</td> <td>H</td> <td>6</td> </tr> <tr> <td>H</td> <td>L</td> <td>7</td> </tr> <tr> <td>H</td> <td>H</td> <td>8</td> </tr> </tbody> </table>                            | NDB2 | NDB1 | data bits/character | L | L | 5          | L | H | 6           | H | L | 7         | H | H | 8 |
| NDB2    | NDB1          | data bits/character                |  |      |      |                     |   |   |            |   |   |             |   |   |           |   |   |   |
| L       | L             | 5                                  |  |      |      |                     |   |   |            |   |   |             |   |   |           |   |   |   |
| L       | H             | 6                                  |  |      |      |                     |   |   |            |   |   |             |   |   |           |   |   |   |
| H       | L             | 7                                  |  |      |      |                     |   |   |            |   |   |             |   |   |           |   |   |   |
| H       | H             | 8                                  |  |      |      |                     |   |   |            |   |   |             |   |   |           |   |   |   |
| 39      | POE           | Odd/Even Parity<br>Select          | The logic level on this input, in conjunction with the NPB input, determines the parity mode for both the receiver and transmitter, as per the following truth table:<br><table border="1"> <thead> <tr> <th>NPB</th> <th>POE</th> <th>MODE</th> </tr> </thead> <tbody> <tr> <td>L</td> <td>L</td> <td>odd parity</td> </tr> <tr> <td>L</td> <td>H</td> <td>even parity</td> </tr> <tr> <td>H</td> <td>X</td> <td>no parity</td> </tr> </tbody> </table><br>X = don't care | NPB  | POE  | MODE                | L | L | odd parity | L | H | even parity | H | X | no parity |   |   |   |
| NPB     | POE           | MODE                               |  |      |      |                     |   |   |            |   |   |             |   |   |           |   |   |   |
| L       | L             | odd parity                         |  |      |      |                     |   |   |            |   |   |             |   |   |           |   |   |   |
| L       | H             | even parity                        |  |      |      |                     |   |   |            |   |   |             |   |   |           |   |   |   |
| H       | X             | no parity                          |  |      |      |                     |   |   |            |   |   |             |   |   |           |   |   |   |
| 40      | TCP           | Transmitter Clock                  | This input is a clock whose frequency is 16 times (16X) the desired transmitter baud rate.   |      |      |                     |   |   |            |   |   |             |   |   |           |   |   |   |

timing diagrams



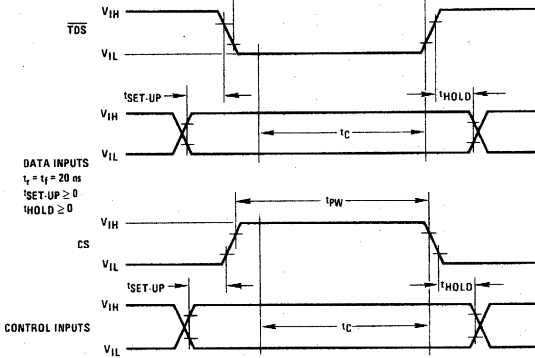
Upon data transmission initiation, or when not transmitting at 100% line utilization, the start bit will be placed on the TSO line at the high to low transition of the TCP clock following the trailing edge of TDS.



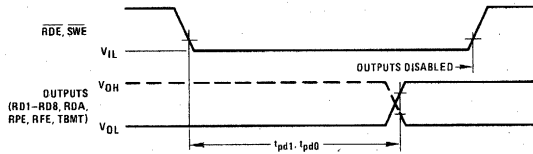
RDAR may go low any time after the RDA comes up but must stay low for at least 200 ns after the first clock pulse period. RDAR may be hard wired low, in which case RDA will go high and remain high for the duration of the positive clock pulse.

timing diagrams (con't)

Data/Control Timing Diagram

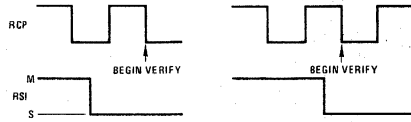


Output Timing Diagram



Note: Waveform drawings not to scale for clarity.

Start Bit Detect/Verify



If the RSI line remains spaced for 1/2 a bit time, a genuine start bit is verified. Should the line return to a marking condition prior to 1/2 a bit time, the start bit verification process begins again.



# Communications/CB Radio Circuits

## MM5393 push button telephone dialer

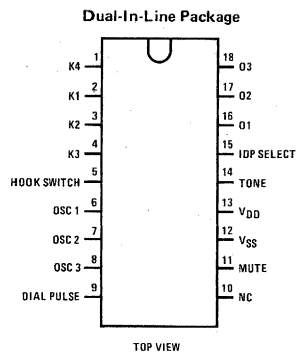
### general description

The MM5393 is a monolithic metal gate CMOS integrated circuit which provides all logic required to convert a push button input to a series of pulses suitable for simulating a telephone dial. Storage is provided for 21 digits, therefore, the information is retained after the call is completed and the number is available for redial. Entering a new number simply overrides the previous one. An interdigital pause can be externally selected as either 415 ms or 830 ms. A muting output is supplied to mute receiver noise during outpulsing, and a 600 Hz tone is activated every time a key is depressed.

### features

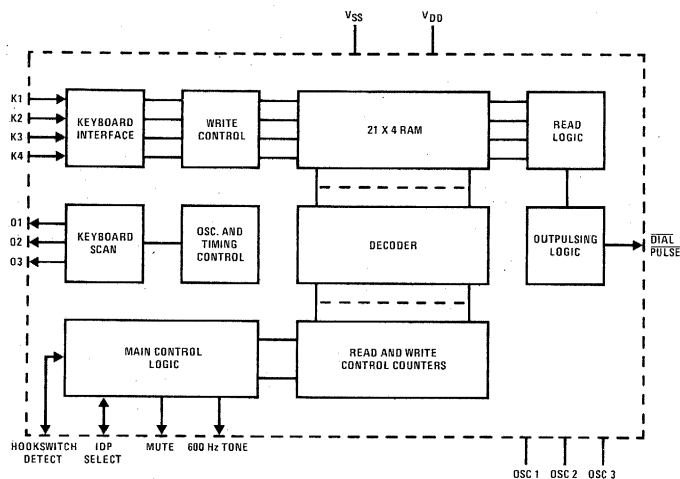
- 21-digit storage
- Selectable interdigital pause
- Redial of last number
- 600 Hz tone
- Line powered operation

### connection diagram



Order Number MM5393N  
See Package 20

### block diagram



**absolute maximum ratings**

|  |                                    |
|--|------------------------------------|
| Voltage at Any Pin                       | $V_{SS} - 0.3V$ to $V_{DD} + 0.3V$ |
| Operating Temperature Range              | $-30^{\circ}C$ to $+65^{\circ}C$   |
| Storage Temperature Range                | $-40^{\circ}C$ to $+70^{\circ}C$   |
| $V_{DD} - V_{SS}$                        | 6V max                             |
| Lead Temperature (Soldering, 10 seconds) | $300^{\circ}C$                     |

**electrical characteristics**  $T_A$  within operating temperature range,  $V_{SS} = \text{Gnd}$ ,  $2V \leq V_{DD} \leq 5.5V$ 

| PARAMETER             | CONDITIONS                            | MIN             | TYP | MAX             | UNITS   |
|-----------------------|---------------------------------------|-----------------|-----|-----------------|---------|
| Input Voltage Levels  |                                       |                 |     |                 |         |
| Logical "1"           |                                       | $V_{DD} - 0.25$ |     | $V_{DD}$        | V       |
| Logical "0"           |                                       | $V_{SS}$        |     | $V_{SS} + 0.25$ | V       |
| Output Current Levels |                                       |                 |     |                 |         |
| Dial Pulse            |                                       |                 |     |                 |         |
| Logical "1"           | $V_{DD} = 3V, V_{OUT} = V_{DD} - 0.5$ | 150             |     |                 | $\mu A$ |
| Logical "0"           | $V_{DD} = 3V, V_{OUT} = V_{SS} + 0.5$ | 150             |     |                 | $\mu A$ |
| Mute                  |                                       |                 |     |                 |         |
| Logical "1"           | $V_{DD} = 3V, V_{OUT} = V_{DD} - 0.5$ | 100             |     |                 | $\mu A$ |
| Logical "0"           | $V_{DD} = 3V, V_{OUT} = V_{SS} + 0.5$ | 100             |     |                 | $\mu A$ |
| Tone                  |                                       |                 |     |                 |         |
| Logical "1"           | $V_{DD} = 3V, V_{OUT} = V_{DD} - 0.5$ | 10              |     |                 | $\mu A$ |
| Logical "0"           | $V_{DD} = 3V, V_{OUT} = V_{SS} + 0.5$ | 10              |     |                 | $\mu A$ |
| 01, 02, 03            |                                       |                 |     |                 |         |
| Logical "1"           | $V_{DD} = 3V, V_{OUT} = V_{DD} - 0.5$ | 20              |     |                 | $\mu A$ |
| Logical "0"           | $V_{DD} = 3V, V_{OUT} = V_{SS} + 0.5$ | 150             |     |                 | $\mu A$ |

**functional description**

The time base for the MM5393 is an RC controlled oscillator nominally tuned to 20 kHz. This is successively divided to provide timing signals for the various counters. The keyboard inputs, K1–K4, in conjunction with the scan counter outputs, 01–03, indicate the presence of a particular key depression. If only one key is detected for 5 ms, the decoded key will be loaded into the RAM. The push button inputs are accepted at an asynchronous rate, loaded into a first-in-first-out memory, and outpulsing of the correct number of pulses begins immediately after the first digit is entered. After the first digit has been completed, outpulsing will cease unless another key has been entered. This allows use in a PBX system to ensure receipt of a dial tone before entering the remainder of the number. If the call was not successful, it can be redialed at a later time by pressing the redial key (#). If an access code is required as in a PBX system, it can be entered, the dial tone can be established, then the redial key can be pushed. Only one key can be entered before pushing the redial key because after the second key entry, the memory is erased. A block diagram of the MM5393 is shown in Figure 1.

**KEYPAD DATA INPUTS**

Keypad closures cause the connection of 2 of 7 switch contacts arranged as a matrix (shown in Figure 2). Key closures are protected from contact bounce for 5 ms.

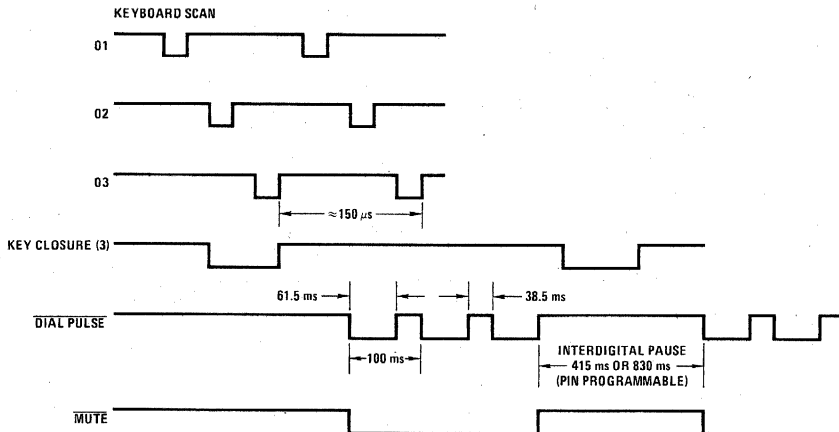
**IMPULSING MARK-TO-SPACE RATIO**

The mark-to-space ratio is 1.6:1 (61.5% to 38.5%).

**IMPULSING OUTPUT**

The number of pulses will correspond to the input digit. For example, key 5 will generate 5 pulses. The outpulsing rate is 10 Hz, and it can be varied by adjusting the frequency of the oscillator. Because it is intended to drive a transistor buffer, the outpulsing data is inverted. Digits are separated by an interdigital pause which is pin programmable for either 415 ms or 830 ms.

### switching time waveforms



Note. All times are based on a 20 kHz oscillator.

FIGURE 1

### keypad matrix

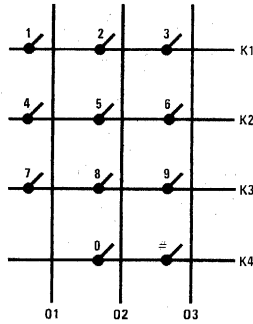
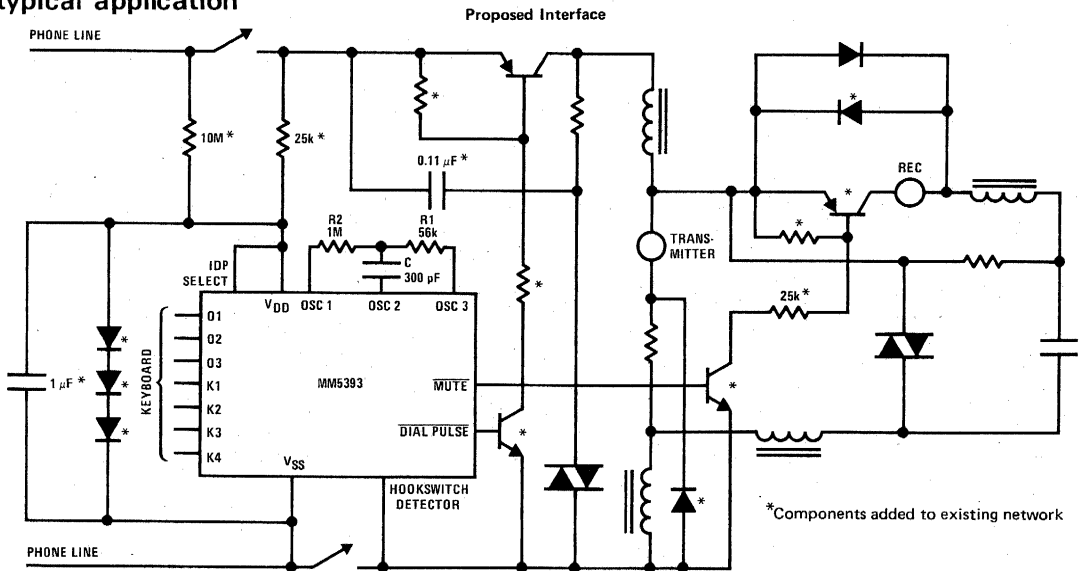


FIGURE 2

### typical application



\*Components added to existing network

FIGURE 3



## MM5395 TOUCH TONE® generator

### general description

The MM5395 is an integrated circuit that can provide all tone frequency pairs required for the TOUCH TONE® telephone dialing system. The output frequencies are generated by programmably dividing the frequency of the on-chip crystal-controlled oscillator; thus, accurate output frequencies can be obtained without tuning. The only external component needed for the oscillator is an inexpensive 3.579545 MHz crystal.

The device has four row and four column inputs. Inputs to the device can either be in a 2-out-of-8 code format from a keyboard, or by BCD signals to the row inputs.

The device is fabricated using our low voltage CMOS process so that it may be powered directly from the telephone line.

The MM5395 is designed to be used in a wide variety of tone signaling and data transmission applications.

### features

- 3V to 5V supply
- On-chip 3.579545 MHz crystal-controlled oscillator
- Interface with standard telephone keypad

- Interface with single contact low-cost keypad option
- Multi-key lockout with single tone capability
- On-chip high band and low band tone generators and mixer
- High band pre-emphasis
- Low harmonic distortion
- Accurate tone frequencies
- Open emitter, emitter follower output
- Mute switch output
- Can be powered directly from the telephone line

### functional description

The functional block diagram of MM5395 is shown in *Figure 1*. The device can be operated in Keypad Interface Mode or Signal Interface Mode (BCD into row input) depending on the logical level at "Control" input. In either mode, the MM5395 will digitally synthesize the high and/or low band sine waves when valid signals are applied to row or column inputs. The sum of the two sine waves is then provided at the "Tone Output." The base of the output NPN transistor is brought out ("FILTER") for easy filtering. Operational functional features are summarized in tables.

### block diagram

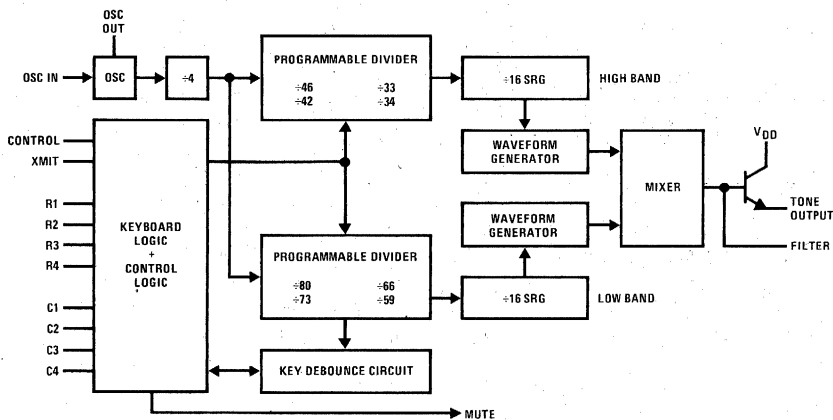


FIGURE 1



**absolute maximum ratings**

|  |                                    |
|--|------------------------------------|
| Voltage at Any Pin                       | $V_{SS} - 0.3V$ to $V_{DD} + 0.3V$ |
| Operating Temperature Range              | $-40^{\circ}C$ to $+70^{\circ}C$   |
| Storage Temperature Range                | $-65^{\circ}C$ to $+150^{\circ}C$  |
| $V_{DD} - V_{SS}$                        | 6V                                 |
| Lead Temperature (Soldering, 10 seconds) | $300^{\circ}C$                     |

**electrical characteristics**

$T_A$  within operating temperature,  $3V \leq V_{DD} - V_{SS} \leq 5V$ , unless otherwise specified.

| PARAMETER                              | CONDITIONS  | MIN             | TYP      | MAX             | UNITS     |
|--|---|-----------------|----------|-----------------|-----------|
| Input Pull-Up Resistor @ Column Inputs | $V_{IN} = V_{SS}$                                     | 100             |          | 400             | $k\Omega$ |
| Input Pull-Down Resistor @ "Xmit"      | $V_{IN} = V_{DD}$                                     | 100             |          | 400             | $k\Omega$ |
| Internal Resistor @ Row Inputs         |   |                 |          |                 |           |
| To $V_{DD}$ (Option A)                 | $V_{IN} = V_{SS}$                                     | 100             |          | 400             | $k\Omega$ |
| To $V_{SS}$ (Option B)                 | $V_{IN} = V_{DD}$                                     | 100             |          | 400             | $k\Omega$ |
| Input Voltage Levels                   |   |                 |          |                 |           |
| Logical "1"                            |   | $V_{DD} - 0.25$ |          | $V_{DD}$        | V         |
| Logical "0"                            |   | $V_{SS}$        |          | $V_{SS} + 0.25$ | V         |
| Output Voltage Swings @ "TONE OUTPUT"  | $V_{DD} - V_{SS} = 3.0V$ ,<br>$R_L > 500\Omega$       |                 |          |                 |           |
| Low Band Only                          |   |                 | 820      |                 | mVp-p     |
| High Band Only                         |   |                 | 1000     |                 | mVp-p     |
| Harmonic Distortion                    | $R_L \geq 500\Omega$ ,<br>No External Filtering       |                 |          | -20             | dB        |
| Tone Frequency Deviation               |   |                 |          | 1.0             | %         |
| Operating Frequency                    |   |                 | 3.579545 |                 | MHz       |
| Key-Down Debounce Time                 |   |                 | 7        | 11.35           | ms        |
| Key-Up Debounce Time                   |   |                 | 4        | 7.15            | ms        |
| Power Dissipation                      | $V_{DD} - V_{SS} = 6V$ ,<br>$R_L = 500\Omega$         |                 |          | 30              | mW        |
| Output Current Level @ "MUTE"          |   |                 |          |                 |           |
| Logical "1"                            | $V_{DD} - V_{SS} = 3.0V$<br>$V_{OUT} = V_{DD} - 0.2V$ | 20              |          |                 | $\mu A$   |
| Logical "0"                            | $V_{OUT} = V_{SS} + 0.5V$                             | 2.0             |          |                 | mA        |

**functional description** (Continued)

TABLE I. Interface Mode Control

| CONTROL | XMIT | INTERFACE MODE |
|---------|------|----------------|
| 0       | Open | Keypad         |
| 1       | 0    | Idle           |
| 1       | 1    | Send tones     |

} BCD Signal  
e.g. MM5393

**functional description** (Continued)

**TABLE II. Keypad Interface**  
(a). Functional Truth Table

| ROW         | COLUMN      | LOW BAND       | HIGH BAND      |
|-------------|-------------|----------------|----------------|
| None        | None        | DC             | DC             |
| One         | One         | f <sub>L</sub> | f <sub>H</sub> |
| None        | One         | DC             | f <sub>H</sub> |
| One         | None        | f <sub>L</sub> | DC             |
| Two or more | None        | DC             | DC             |
| Two or more | One         | DC             | f <sub>H</sub> |
| None        | Two or more | DC             | DC             |
| One         | Two or more | f <sub>L</sub> | DC             |

(b). Output Frequencies

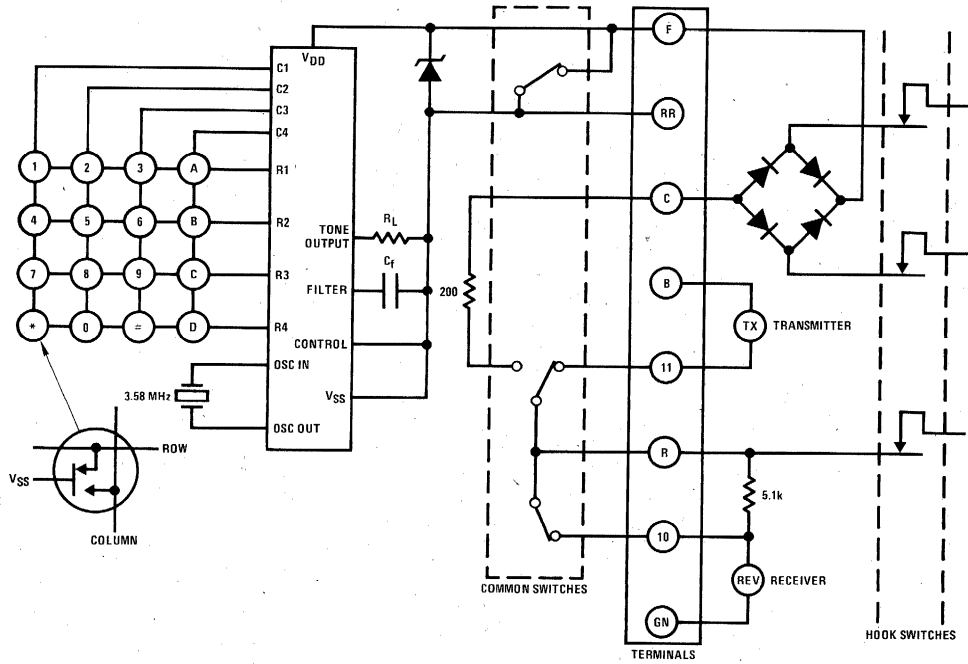
| INPUTS | DESIRED FREQUENCIES |                     | ACTUAL FREQUENCY (Hz) | PERCENT DEVIATION |
|--------|---------------------|---------------------|-----------------------|-------------------|
|        | f <sub>L</sub> (Hz) | f <sub>H</sub> (Hz) |                       |                   |
| R1     | 697                 | —                   | 699.1                 | 0.306             |
| R2     | 770                 | —                   | 766.2                 | -0.497            |
| R3     | 852                 | —                   | 847.4                 | -0.536            |
| R4     | 941                 | —                   | 948.0                 | 0.741             |
| C1     | —                   | 1209                | 1215.9                | 0.569             |
| C2     | —                   | 1336                | 1331.7                | -0.324            |
| C3     | —                   | 1477                | 1471.9                | -0.35             |
| C4     | —                   | 1633                | 1645.0                | 0.736             |

**TABLE III. Functional Truth Table for Signal Interface**

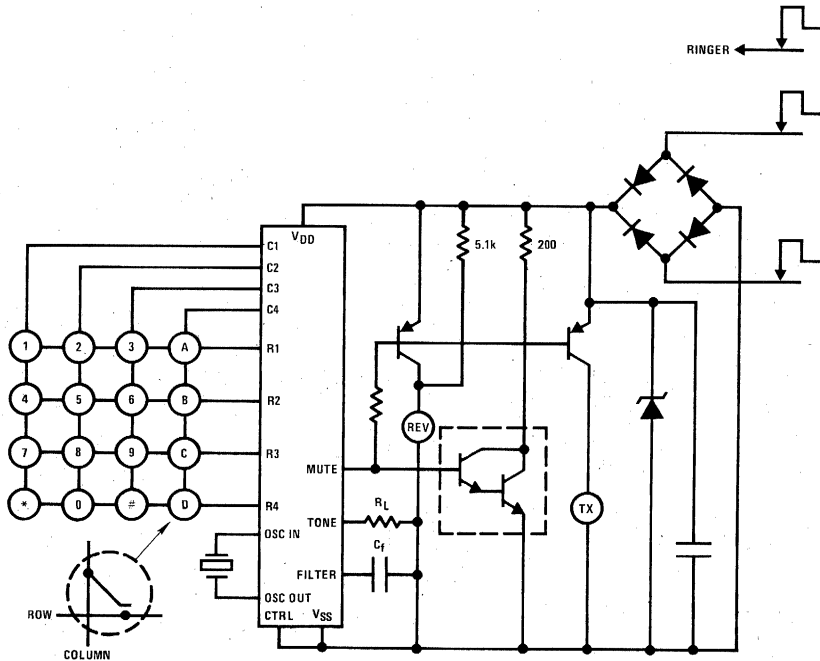
| XMIT | C1   | C2   | R1               | R2 | R3 | R4 | FREQUENCIES GENERATED |                     |
|------|------|------|------------------|----|----|----|-----------------------|---------------------|
|      |      |      |                  |    |    |    | f <sub>L</sub> (Hz)   | f <sub>H</sub> (Hz) |
| 0    | X    | X    | X                | X  | X  | X  | DC                    | DC                  |
| 1    | Open | Open | 0                | 0  | 0  | 0  | 941                   | 1336                |
| 1    | Open | Open | 0                | 0  | 0  | 1  | 697                   | 1209                |
| 1    | Open | Open | 0                | 0  | 1  | 0  | 697                   | 1336                |
| 1    | Open | Open | 0                | 0  | 1  | 1  | 697                   | 1477                |
| 1    | Open | Open | 0                | 1  | 0  | 0  | 770                   | 1209                |
| 1    | Open | Open | 0                | 1  | 0  | 1  | 770                   | 1336                |
| 1    | Open | Open | 0                | 1  | 1  | 0  | 770                   | 1477                |
| 1    | Open | Open | 0                | 1  | 1  | 1  | 852                   | 1209                |
| 1    | Open | Open | 1                | 0  | 0  | 0  | 852                   | 1336                |
| 1    | Open | Open | 1                | 0  | 0  | 1  | 852                   | 1477                |
| 1    | 0    | Open | Valid BCD Inputs |    |    |    | f <sub>L</sub>        | DC                  |
| 1    | Open | 0    |                  |    |    |    | DC                    | f <sub>H</sub>      |
| 1    | 0    | 0    |                  |    |    |    | DC                    | DC                  |

typical applications

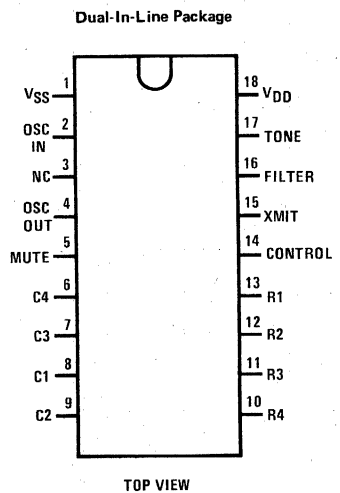
Standard Telephone Keypad



Single Contact Keypad



### connection diagram



Order Number MM5395N  
See Package 20



# Communications/CB Radio Circuits

## MM55104, MM55106, MM55114, MM55116 PLL frequency synthesizer general description

The MM55104 and MM55106 devices contain phase locked loop circuits useful for frequency synthesizer applications in C.B. transceivers. The devices operate off a single power supply and contain an oscillator, a  $2^{10}$  or  $2^{11}$  divider chain, a binary input programmable divider, and phase detector circuitry. The devices may be used in double I.F. or single I.F. systems. The MM55104, MM55114, MM55106 and MM55116, use a 10.24 MHz or 5.12 MHz quartz crystal to determine the reference frequency. The MM55106 and MM55116 have an output pin which provides a 5.12 MHz signal, which may be tripled for use as a reference oscillator frequency in two crystal systems. Also, the MM55106 provides an additional input to the programmable divider which allows  $2^9 - 1$  division of the input frequency ( $F_{IN}$ ). The inputs to the programmable divider are standard binary signals. Selection of a channel is accomplished by mechanical switches or by external electronic programming of the programmable divider.

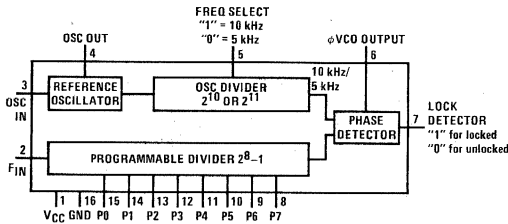
The  $\phi VCO$  output provides a high level voltage (sources current) when the VCO frequency is lower than the lock

frequency, and  $\phi VCO$  provides a low level voltage (sinks current) when the VCO frequency is higher than the lock frequency. The  $\phi VCO$  output goes to a high impedance (TRI-STATE<sup>®</sup>) condition under lock conditions, and the lock detector output LD goes to a high state under lock conditions.

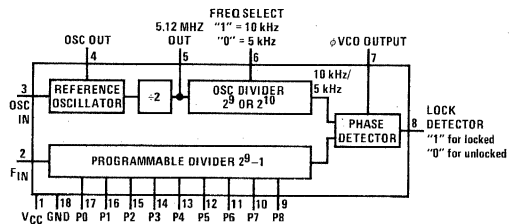
### features

- Single power supply
- Low power CMOS technology
- Binary input channel select code
- 5 kHz or 10 kHz output from oscillator divide
- 5.12 MHz output (MM55106 and MM55116 only)
- On-chip oscillator
- Pull-down resistors on programmable divider inputs
- Low voltage operation—5V (MM55104, MM55106)
- High voltage operation—8V (MM55114, MM55116)

### block diagrams



MM55104, MM55114



MM55106, MM55116

### pin descriptions

|              |   |
|--------------|---|
| P0-P8        | Programmable divider inputs   |
| $F_{IN}$     | Frequency input from VCO (mixed down)                                   |
| OSC IN       | Oscillator amplifier input terminal                                     |
| OSC OUT      | Oscillator amplifier output terminal                                    |
| LD           | Lock detector   |
| $\phi VCO$   | Output of phase detector for control of the VCO                         |
| FS           | Frequency division select 10 kHz or 5 kHz — "1" is 10 kHz; "0" is 5 kHz |
| 5.12 MHz OUT | OSC Frequency divided by 2 output                                       |

### truth table

Truth table for binary inputs to programmable divider.

| N   | P8 | P7 | P6 | P5 | P4 | P3 | P2 | P1 | P0 |
|-----|----|----|----|----|----|----|----|----|----|
| 1   | 0  | 0  | 0  | 0  | 0  | 0  | 0  | 0  | X  |
| 2   | 0  | 0  | 0  | 0  | 0  | 0  | 0  | 1  | 0  |
| 511 | 1  | 1  | 1  | 1  | 1  | 1  | 1  | 1  | 1  |

$F_{OUT} = F_{IN}/N$   
 1 = High voltage level,  $V_{OH}$   
 0 = Low voltage level,  $V_{OL}$   
 X = Don't care

**absolute maximum ratings**

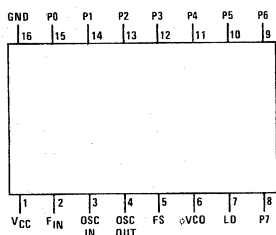
Voltage at Any Pin  $V_{CC} + 0.3V$  to Gnd - 0.3V  
 Operating Temperature Range -30°C to +75°C  
 Storage Temperature Range -40°C to +125°C

$V_{CC}$  Max  
 MM55104, MM55106 7V  
 MM55114, MM55116 12V  
 Lead Temperature (Soldering, 10 seconds) 300°C

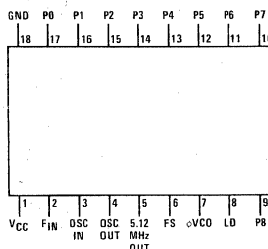
**electrical characteristics**  $T_A = 25^\circ C$

| PARAMETER                                 | CONDITIONS  | MIN               | TYP  | MAX  | UNITS   |
|---|---|-------------------|------|------|---------|
| Supply Voltage ( $V_{CC}$ )               |   | 4.5               | 5.0  | 5.5  | V       |
| MM55104, MM55106                          |   |                   |      |      |         |
| MM55114, MM55116                          |   | 7.0               | 8.0  | 10.0 | V       |
| Supply Current ( $I_{CC}$ )               | Freq @ Osc In = 10 MHz,<br>@ $F_{IN} = 2.5$ MHz, All Other<br>I/O Pins Open, (Note 1) |                   |      |      |         |
| MM55104, MM55106                          | $V_{CC} = 5V$   |                   | 3    | 10   | mA      |
| MM55114, MM55116                          | $V_{CC} = 8V$   |                   | 8    | 16   | mA      |
| Logical "1" Input Voltage ( $V_{IN(1)}$ ) |   | $(V_{CC} - 0.4V)$ |      |      | V       |
| P0-P8, FS, $F_{IN}$                       |   |                   |      |      |         |
| Logical "0" Input Voltage ( $V_{IN(0)}$ ) |   |                   |      | 0.4  | V       |
| P0-P8, FS, $F_{IN}$                       |   |                   |      |      |         |
| Logical "1" Output Voltage                |   | $(V_{CC} - 0.5V)$ |      |      | V       |
| 5.12 MHz Out, LD                          | $I_O = 0.5$ mA }<br>$I_O = 0.4$ mA }<br>$I_O = 0.25$ mA }                             |                   |      |      |         |
| $\phi VCO$                                |   |                   |      |      |         |
| Osc Out                                   |   |                   |      |      |         |
| Logical "0" Output Voltage                |   |                   |      | 0.5  | V       |
| $\phi VCO$ , 5.12 MHz Out, LD             | $I_O = -0.5$ mA }<br>$I_O = -0.25$ mA }   |                   |      |      |         |
| Osc Out                                   |   |                   |      |      |         |
| Logical "1" Input Current                 |   |                   |      | 1.0  | $\mu A$ |
| FS (Pull-Up)                              |   |                   |      |      |         |
| MM55104, MM55106 } P0-P8                  | $V_{CC} = 5V$   | 5                 | 20   | 50   | $\mu A$ |
| MM55114, MM55116 } (Pull-Down)            | $V_{CC} = 8V$   | 10                | 40   | 100  | $\mu A$ |
| Logical "0" Input Current                 |   |                   |      | 1.0  | $\mu A$ |
| P0-P8 (Pull-Down)                         |   |                   |      |      |         |
| MM55104, MM55106 } FS (Pull-Up)           | $V_{CC} = 5V$   | -10               | -35  | -100 | $\mu A$ |
| MM55114, MM55116 }                        | $V_{CC} = 8V$   | -30               | -120 | -300 | $\mu A$ |
| Toggle Frequency @ $F_{IN}$               |   | 3                 |      |      | MHz     |
| Oscillator Frequency @ Osc In             |   | 10.24             |      |      | MHz     |
| TRI-STATE Leakage @ $\phi VCO$            |   |                   |      | 1.0  | $\mu A$ |

**connection diagrams** (Dual-In-Line Packages, Top View)



Order Number MM55104N or MM55114N  
 See Package 19



Order Number MM55106N or MM55116N  
 See Package 20

typical applications

INTRODUCTION TO FREQUENCY SYNTHESIS

The components of a frequency synthesizer are shown in *Figure 1*. The voltage controlled oscillator produces the desired output frequencies spaced  $f_v$  Hz apart according to the relation:

$$f_v = f_r N$$

The reference frequency,  $f_r$ , must be equal to or less than the (channel) spacing between the frequencies being synthesized.

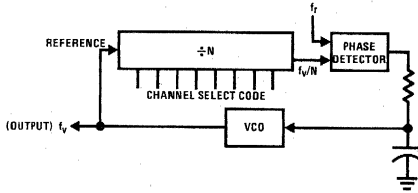


FIGURE 1. Basic Frequency Synthesizer

Although simple in concept, the circuit of *Figure 1* has certain difficulties. In CB, we are synthesizing the following frequencies:

|       |        |
|-------|--------|
| Ch 1  | 26.965 |
| Ch 2  | 26.975 |
| ...   | ...    |
| Ch 23 | 27.225 |

Although the channel spacing is 10 kHz, a reference frequency of 5 kHz would be necessary due to the odd 5 kHz in the assigned channel. This in itself poses no

problem; however, present technology limits the counting speed of programmable dividers to something less than 5 MHz, ruling out the approach shown in *Figure 1*.

Two solutions to this problem are shown in *Figure 2*.

Frequency prescaling shown in *Figure 2(a)* reduces the VCO frequency by  $M$  (a fixed number) to a frequency that can be divided by the programmable counter. The reference frequency  $f_r$  must also be reduced by  $M$ . In the case of CB, if  $M = 10$ ,  $f_v = 26.965$  MHz, the input to the programmable divider will be 2.6965 MHz, and the 5 kHz reference frequency will be reduced to 500 Hz. This poses problems in speed of response of the phase locked loop.

The second technique mixes the output frequency of the VCO with a stable fixed frequency to obtain a related reference frequency.

$$f_v = Nf_r + f_o$$

This technique has the advantage of allowing a 10 kHz reference frequency in the loop instead of 5 kHz.

Further complexity arises when one considers that the synthesizer must also generate a local oscillator signal as well as a transmitter input signal for the radio (*Figure 3*). A system which provides these frequencies, as well as the proper offset to allow the programmable divider to operate within its limits is shown in the typical applications diagrams (*Figure 4*). The only departure from the ideal situation shown in *Figure 3* is that the first IF frequency of 10.7 MHz must be changed to 10.695 MHz (a change of 5 kHz).

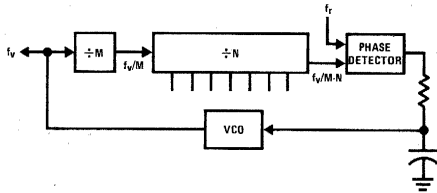


FIGURE 2(a). Frequency Prescaling

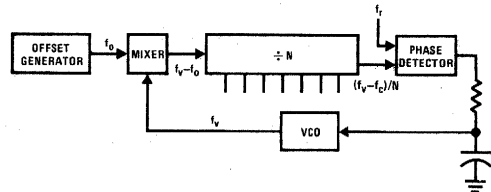


FIGURE 2(b). Frequency Offset

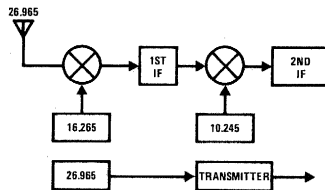


FIGURE 3. Signals Needed to Transmit and Receive Ch 1

typical applications (con't)

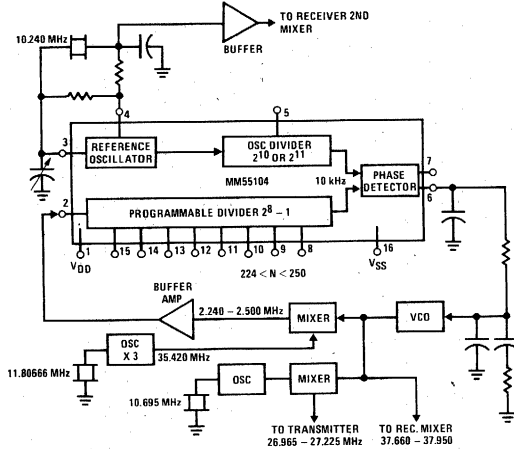


FIGURE 4(a). MM55104 or MM55114 3-Crystal Application

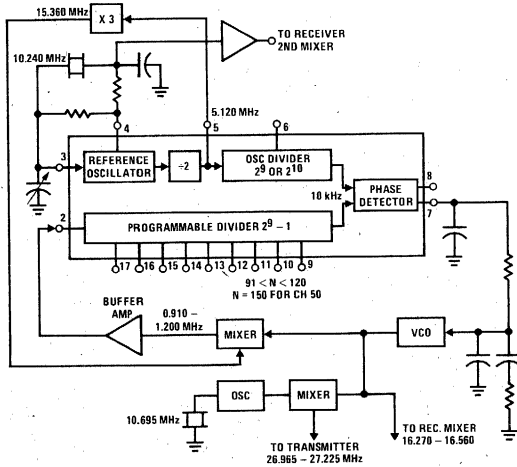


FIGURE 4(b). MM55106 or MM55116 2-Crystal, 23-Channel Application

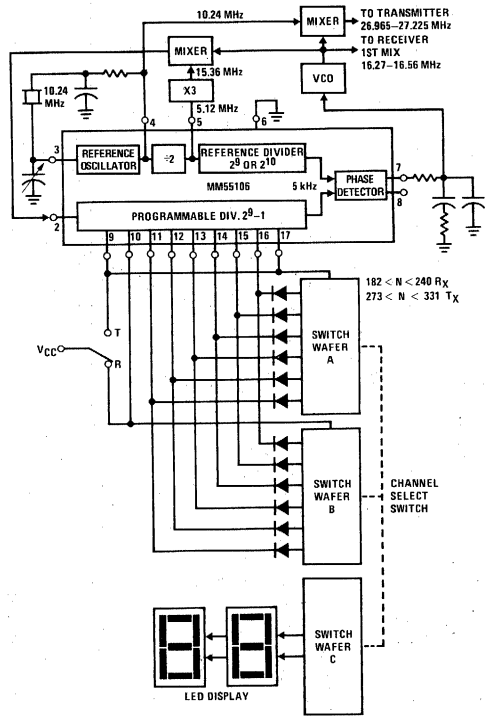


FIGURE 4(c). MM55106 or MM55116 Single Crystal, 23-Channel Application





# Communications/CB Radio Circuits

## MM55108, MM55110 PLL frequency synthesizer with receive/transmit mode general description

The MM55108 and MM55110 PLL frequency synthesizers are monolithic metal gate CMOS integrated circuits which contain phase lock loop circuits useful for frequency synthesis applications in CB transceivers. The devices operate from a single power supply and contain an oscillator with feedback resistor, divider chain, a binary input programmable divider with control logic for the transmit mode ( $\div$  by  $(N + 91)$ ), and the necessary phase detector logic. The devices may be used in double IF or single IF systems.

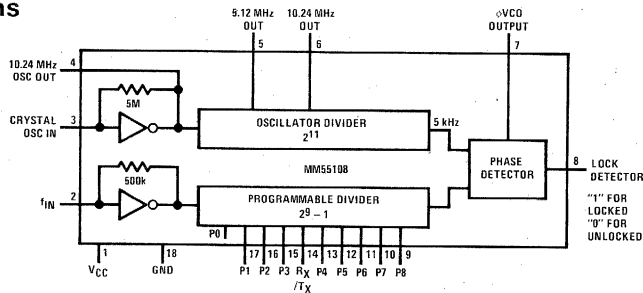
Both the MM55108 and the MM55110 use a 10.24 MHz quartz crystal to determine the reference frequency. The MM55108 has a  $2^{11}$  divider chain which generates a 5 kHz reference frequency. The MM55110 has a selectable  $2^{10}$  or  $2^{11}$  divider chain which gives either a 10 kHz or 5 kHz reference frequency. The selection of reference frequency is made by use of the FS pin. In addition, the MM55110 contains an amplifier for filter applications and an additional input to the programmable divider which allows  $2^{10} - 1$  division of the input frequency ( $f_{IN}$ ) for FM applications. Due to the internal amplifier stage at input frequency input ( $f_{IN}$ ), the MM55108 and MM55110 may take a 1 V<sub>p-p</sub> signal at  $f_{IN}$  as the input frequency for the programmable divider. Inputs to the programmable divider are standard binary signals. Selection of a channel is accomplished by mechanical switches or by external electronic programming of the programmable divider. The  $\phi$ VCO output

provides a high level voltage (sources current) when the  $\phi$ VCO frequency is lower than the lock frequency, and  $\phi$ VCO provides a low level voltage (sinks current) when the  $\phi$ VCO frequency is higher than the lock frequency. The  $\phi$ VCO output goes to a high impedance state (TRI-STATE<sup>®</sup>) while in lock mode, and the lock detector output LD also goes to a high state under lock condition.

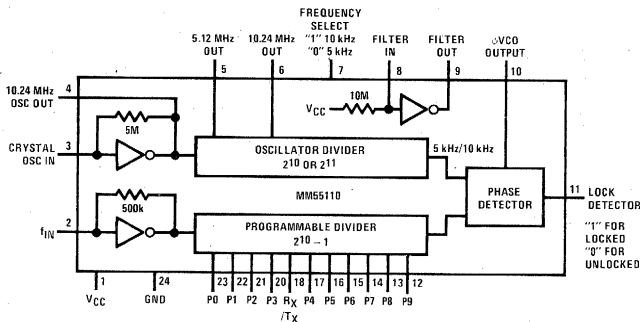
### features

- Single crystal operation
- Single power supply
- Low power CMOS technology
- Binary input channel select code
- $2^{10}$  or  $2^{11}$  divider chain from oscillator input (MM55110),  $2^{11}$  divider chain (MM55108)
- Buffered 5.12 MHz and buffered 10.24 MHz outputs
- On-chip oscillator with bias resistor
- Pull-down resistors on programmable divider inputs
- Receive/transmit input for  $\div$  by  $(N+91)$  while in transmit mode
- Amplifier for filter applications (MM55110)
- Programmable  $2^9 - 1$  division of  $f_{IN}$
- Additional programmable input for  $2^{10} - 1$  division of  $f_{IN}$  (MM55110)
- Amplifier stage on  $f_{IN}$  input to accept 1V<sub>p-p</sub> signal

### block diagrams



MM55108



MM55110

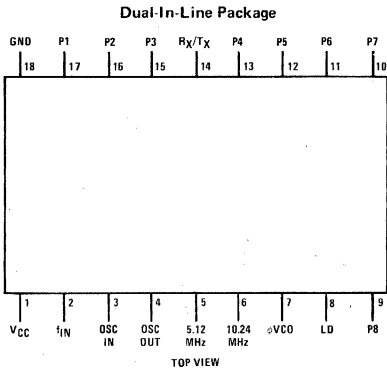
**absolute maximum ratings**

|  |                                   |
|--|-----------------------------------|
| Voltage at Any Pin                       | $V_{CC} + 0.3V$ to Gnd $- 0.3V$   |
| Operating Temperature Range              | $-30^{\circ}C$ to $+75^{\circ}C$  |
| Storage Temperature                      | $-40^{\circ}C$ to $+125^{\circ}C$ |
| Operating $V_{CC}$                       | 12V                               |
| Lead Temperature (Soldering, 10 seconds) | $300^{\circ}C$                    |

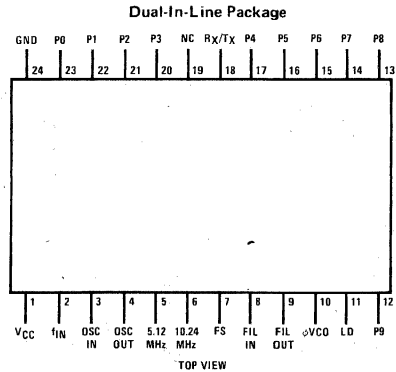
**electrical characteristics**  $T_A = 25^{\circ}C$ ,  $V_{CC} = 8V$  unless otherwise specified

| PARAMETER  | CONDITIONS  | MIN                 | TYP  | MAX   | UNITS          |
|--|---|---------------------|------|-------|----------------|
| Supply Voltage ( $V_{CC}$ )  |   | 4.5                 |      | 10    | V              |
| Supply Current ( $I_{CC}$ )  | Freq. at Osc. In = 10.24 MHz<br>at $f_{IN} = 2.5$ MHz, All Other<br>I/O Pins Open |                     | 4    | 10    | mA             |
| Logical "1" Input Voltage ( $V_{IN(1)}$ )<br>P0–P9, $I_S$  |   | $(V_{CC}-0.4)$      |      |       | V              |
| Logical "0" Input Voltage ( $V_{IN(0)}$ )<br>P0–P9, $I_S$  |   |                     |      | 0.4   | V              |
| Logical "1" Output Voltage<br>$\phi VCO$ , 10.24 MHz Out, 5.12 MHz Out,<br>Osc. Out, LD          | $I_O = -0.5$ mA   | $(V_{CC}-0.5)$      |      |       | V              |
| Logical "0" Output Voltage<br>$\phi VCO$ , 10.24 MHz Out, 5.12 MHz Out,<br>Osc. Out, LD          | $I_O = 0.5$ mA  |                     |      | 0.5   | V              |
| Logical "1" Input Current<br>Filter In (Pull-Up)<br>$R_X/T_X$ (Pull-Up)<br>FS, P0–P9 (Pull-Down) |   | 20                  | 40   | 60    | $\mu A$        |
| Logical "0" Input Current<br>Filter In (Pull-Up)<br>$R_S/T_X$ (Pull-Up)<br>FS, P0–P9 (Pull-Down) |   | -60                 | -120 | -180  | $\mu A$        |
| Toggle Frequency at $f_{IN}$   |   | 3                   |      |       | MHz            |
| Input Signal at $f_{IN}$ (Maximum 3 MHz)   | For ac Signal or<br>( $V_{IN(1)}$ )<br>( $V_{IN(0)}$ )                            | 1<br>$(V_{CC}-0.4)$ |      |       | $V_{p-p}$<br>V |
| Oscillator Frequency at Osc. In  |   |                     |      | 10.24 | MHz            |
| TRI-STATE Leakage at $\phi VCO$  | $V_{OUT} = V_{CC}$ or Gnd   |                     |      | 1     | $\mu A$        |

connection diagrams



Order Number MM55108N  
See Package 20



Order Number MM55110N  
See Package 22

pin descriptions

- P0–P9 Programmable Divider Inputs
- fin Frequency Input From VCO (Mixed down)
- OSC IN Oscillator Amplifier Input
- OSC OUT Oscillator Amplifier Output
- LD Lock Detector
- phiVCO Output of Phase Detector for Control of VCO
- FS Frequency Division Select
- “1” for 2<sup>10</sup> Division
- “0” for 2<sup>11</sup> Division

- 5.12 MHz OUT Buffered 5.12 MHz Output (Oscillator Frequency ÷ By 2)
- 10.24 MHz OUT Buffered 10.24 MHz Output (Oscillator Frequency)
- FILTER IN Filter Amplifier Input
- FILTER OUT Filter Amplifier Output
- Rx/Tx Receive/Transmit Input
- “0” for Transmit Mode (÷ by (N+91))

typical applications

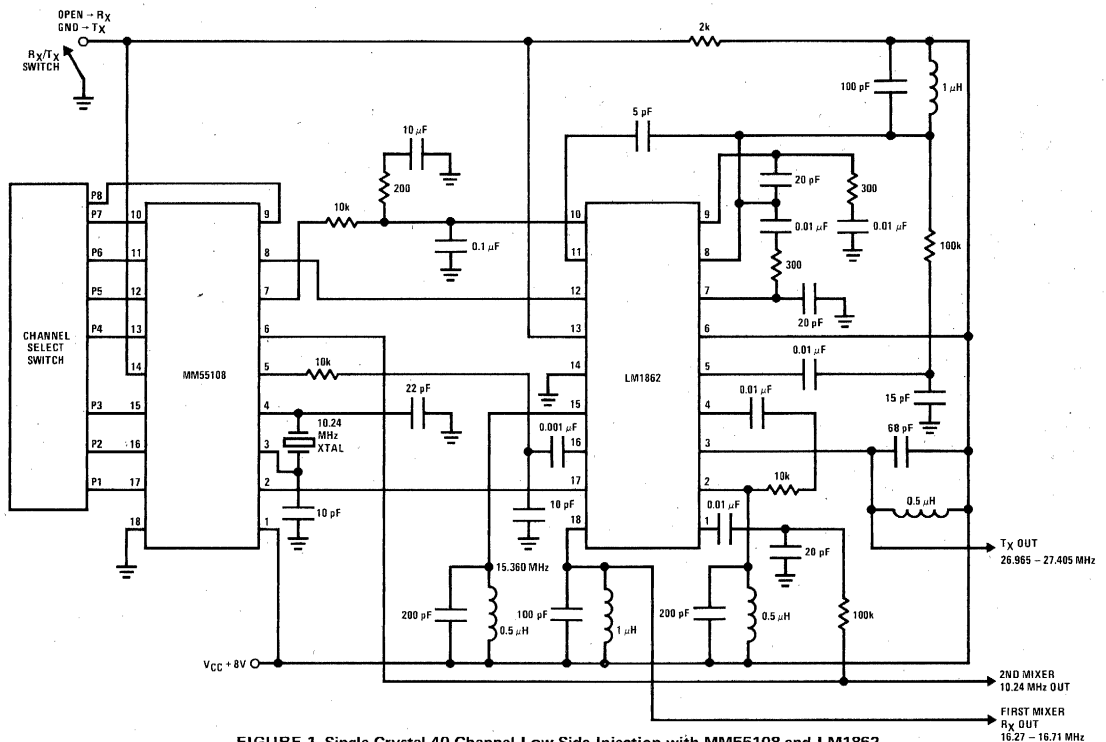


FIGURE 1. Single Crystal 40-Channel Low Side Injection with MM55108 and LM1862

typical applications (Continued)

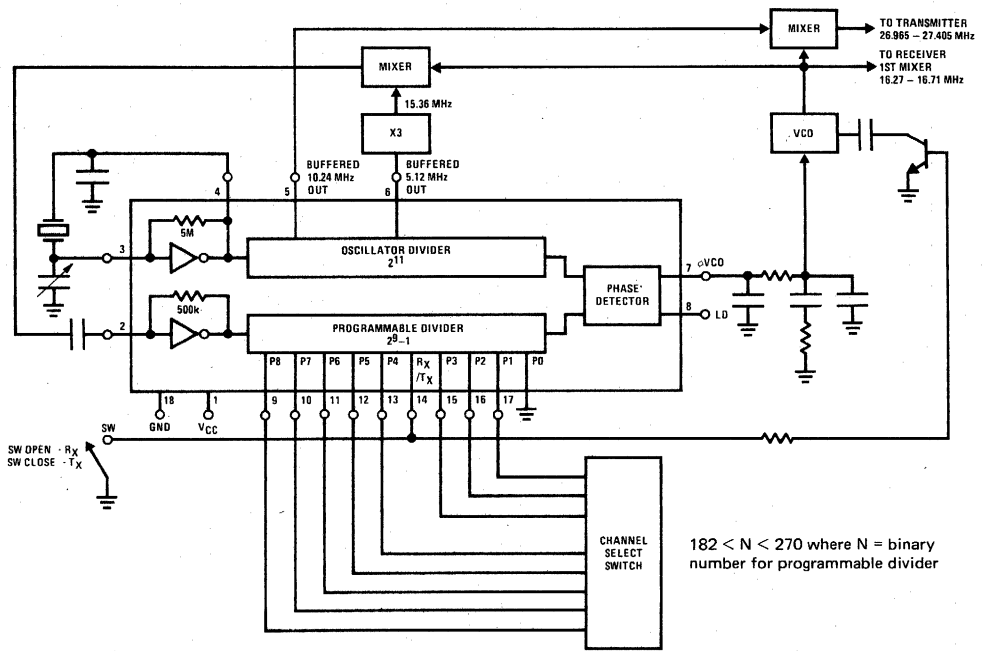


FIGURE 2. MM55108 Single Crystal 40-Channel Low Side Injection

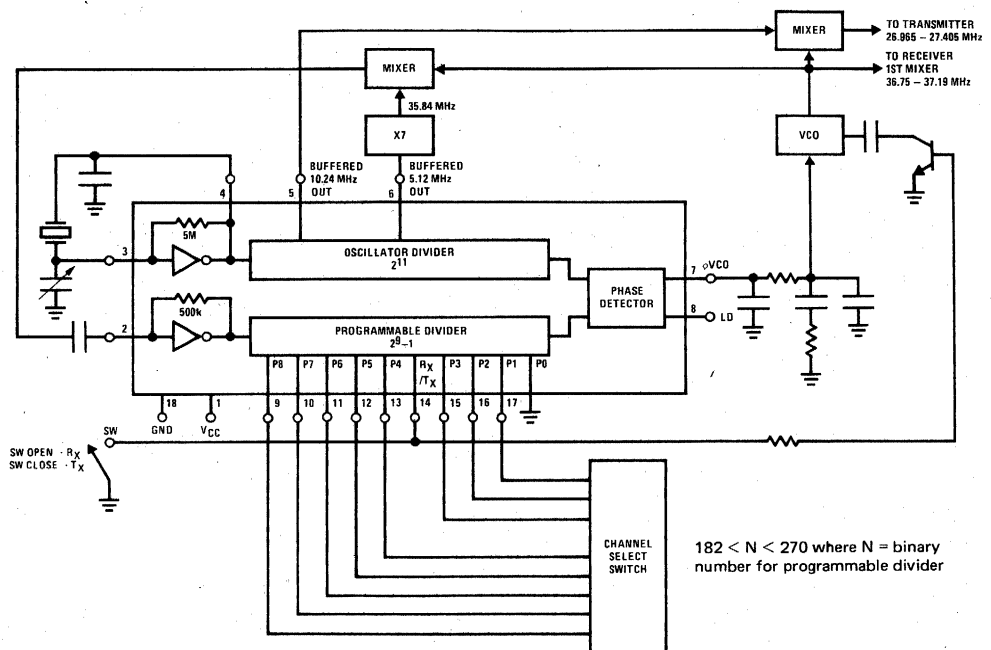


FIGURE 3. MM55108 Single Crystal 40-Channel High Side Injection

## truth tables

TABLE I. Binary Inputs to Programmable Divider for MM55108

|              | Rx/Tx<br>"1" OR "OPEN"<br>N | Rx/Tx<br>"0" OR "CLOSED"<br>N | INPUTS   |          |          |          |          |          |          |          |
|--------------|-----------------------------|-------------------------------|----------|----------|----------|----------|----------|----------|----------|----------|
|              |                             |                               | 28<br>P8 | 27<br>P7 | 26<br>P6 | 25<br>P5 | 24<br>P4 | 23<br>P3 | 22<br>P2 | 21<br>P1 |
|              | 1                           | 92                            | 0        | 0        | 0        | 0        | 0        | 0        | 0        | 0        |
|              | 2                           | 93                            | 0        | 0        | 0        | 0        | 0        | 0        | 0        | 1        |
|              | 4                           | 95                            | 0        | 0        | 0        | 0        | 0        | 0        | 1        | 0        |
|              | .                           | .                             | .        | .        | .        | .        | .        | .        | .        | .        |
| Channel 1 →  | 182                         | 273                           | 0        | 1        | 0        | 1        | 1        | 0        | 1        | 1        |
|              | .                           | .                             | .        | .        | .        | .        | .        | .        | .        | .        |
| Channel 40 → | 270                         | 361                           | 1        | 0        | 0        | 0        | 0        | 1        | 1        | 1        |
|              | .                           | .                             | .        | .        | .        | .        | .        | .        | .        | .        |
|              | 510                         | 601                           | 1        | 1        | 1        | 1        | 1        | 1        | 1        | 1        |

1 = logical "1"

0 = logical "0"

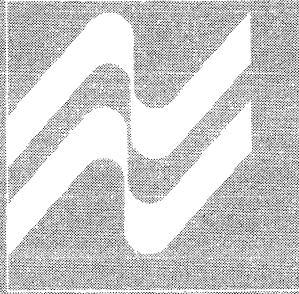
TABLE II. Binary Inputs to Programmable Divider for MM55110

|              | Rx/Tx<br>"1" OR "OPEN"<br>N | Rx/Tx<br>"0" OR "CLOSED"<br>N | INPUTS   |          |          |          |          |          |          |          |          |          |
|--------------|-----------------------------|-------------------------------|----------|----------|----------|----------|----------|----------|----------|----------|----------|----------|
|              |                             |                               | 29<br>P9 | 28<br>P8 | 27<br>P7 | 26<br>P6 | 25<br>P5 | 24<br>P4 | 23<br>P3 | 22<br>P2 | 21<br>P1 | 20<br>P0 |
|              | 1                           | 92                            | 0        | 0        | 0        | 0        | 0        | 0        | 0        | 0        | 0        | X        |
|              | 2                           | 93                            | 0        | 0        | 0        | 0        | 0        | 0        | 0        | 0        | 1        | 0        |
|              | 3                           | 94                            | 0        | 0        | 0        | 0        | 0        | 0        | 0        | 0        | 1        | 1        |
|              | .                           | .                             | .        | .        | .        | .        | .        | .        | .        | .        | .        | .        |
| Channel 1 →  | 182                         | 273                           | 0        | 0        | 1        | 0        | 1        | 1        | 0        | 1        | 1        | 0        |
|              | .                           | .                             | .        | .        | .        | .        | .        | .        | .        | .        | .        | .        |
| Channel 40 → | 270                         | 361                           | 0        | 1        | 0        | 0        | 0        | 0        | 1        | 1        | 1        | 0        |
|              | .                           | .                             | .        | .        | .        | .        | .        | .        | .        | .        | .        | .        |
|              | 1023                        | 1114                          | 1        | 1        | 1        | 1        | 1        | 1        | 1        | 1        | 1        | 1        |

X = don't care

1 = logical "1"

0 = logical "0"



**SECTION 7  
WATCHES**



**MM5829 LED watch circuit**

**general description**

The MM5829 is a low threshold voltage, ion-implanted, metal-gate CMOS integrated circuit that provides or controls all signals needed for a 3 1/2 digit LED watch. The display format is 12 hours. The circuit time base is a 32768 Hz crystal controlled oscillator. This time base frequency is successively divided to provide drive signals for a multiplexed 7 segment LED display of either HOURS-MINUTES or SECONDS upon demand. Outputs interface with currently available standard bipolar segment and digit driver integrated circuits. The device operates from a single 2.4V to 5.0V supply. A STOP MODE is provided such that an entire watch may be placed in a powered down state with the oscillator stopped when still connected to the battery. The MM5829 is available in a 30-lead ceramic flat package or as unpackaged die suitable for hybrid assembly.

**features**

- 32768 Hz crystal controlled operation
- Single 3V supply
- Low power dissipation (15µW typ)
- Seconds, minutes and hours operation
- 3 1/2 digit, 12 hour display format
- Simple display/set controls
- Power-down mode
- Easy interface to standard bipolar IC's for display drive

**block diagram**

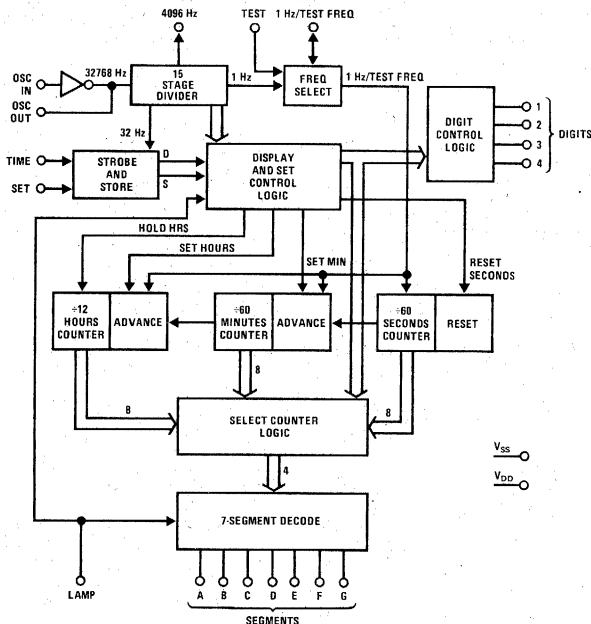


FIGURE 1.

**chip pad layout**

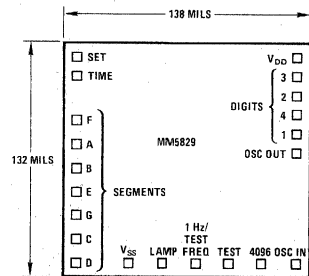


FIGURE 2.

**connection diagram**

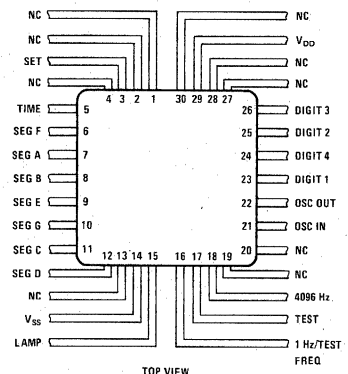


FIGURE 3.

## absolute maximum ratings

|  |                                   |
|--|-----------------------------------|
| Voltage at Any Pin                       | $V_{SS}-0.3V$ to $V_{DD}+0.3V$    |
| Operating Temperature Range              | $-5^{\circ}C$ to $+70^{\circ}C$   |
| Storage Temperature Range                |                                   |
| Dice                                     | $-25^{\circ}C$ to $+85^{\circ}C$  |
| Packages                                 | $-55^{\circ}C$ to $+125^{\circ}C$ |
| $V_{DD} - V_{SS}$                        | 5V max                            |
| Lead Temperature (Soldering, 10 seconds) | $300^{\circ}C$                    |

## electrical characteristics

$T_A$  within operating temperature range,  $V_{SS} = GND$ ,  $2.4 \leq V_{DD} \leq 4.0V$ , unless otherwise noted.

| PARAMETER                              | CONDITIONS   | MIN           | TYP  | MAX           | UNITS   |
|--|--|---------------|------|---------------|---------|
| Oscillator Start Voltage               | $T_A = 25^{\circ}C$  | 2.7           |      |               | V       |
| Input Voltage Level @ Time, Set        | $V_{DD} = 3.0V$  |               |      |               |         |
| Logical "1"                            |  | $1/2 V_{DD}$  |      | $V_{DD}$      | V       |
| Logical "0"                            | 300 k $\Omega$ Pull-Down to $V_{SS}$   |               | Open |               | V       |
| Input Voltage Level @ Test Frequency   | $V_{DD} = 3.0V$  |               |      |               |         |
| Logical "1"                            |  | $V_{DD}-0.25$ |      | $V_{DD}$      | V       |
| Logical "0"                            |  | $V_{SS}$      |      | $V_{SS}+0.25$ | V       |
| Input Voltage Level @ Lamp, Test       | $V_{DD} = 3.0V$  |               |      |               |         |
| Logical "1"                            | 1 M $\Omega$ Pull-Up to $V_{DD}$   |               | Open |               | V       |
| Logical "0"                            |  | $V_{SS}$      |      | $V_{SS}+0.25$ | V       |
| Input Current @ Time and Set           | $V_{IN} = V_{DD}$ , Sink Only, $V_{DD} = 3.0V$   |               |      | 10            | $\mu A$ |
| Input Current @ Lamp and Test          | $V_{IN} = V_{SS}$ , Source Only, $V_{DD} = 3.0V$   |               |      | 3             | $\mu A$ |
| Input Capacitance                      | f = 1.0 MHz, $V_{IN} = 0.0V$<br>All other pads GND   |               |      | 5             | pF      |
| Output Voltage Level @ Segment Drivers |  |               |      |               |         |
| Logical "1"                            | $V_{DD} = 2.4V$ , $I_{SOURCE} \geq 10\mu A$  | $V_{DD}-0.2$  |      | $V_{DD}$      | V       |
| Logical "0"                            | $V_{DD} = 2.4V$ , $I_{SINK} \geq 300\mu A$   | $V_{SS}$      |      | $V_{SS}+0.5$  | V       |
| Output Voltage Level @ Digit Drivers   |  |               |      |               |         |
| Logical "1"                            | $V_{DD} = 2.4V$ , $I_{SOURCE} \geq 840\mu A$   | $V_{DD}-1.3$  |      | $V_{DD}$      | V       |
| Logical "0"                            | $V_{DD} = 2.4V$ , $I_{SINK} \geq 20\mu A$  | $V_{SS}$      |      | $V_{SS}+0.2$  | V       |
| Output Voltage Level @ 4096, 1 Hz      |  |               |      |               |         |
| Logical "1"                            | $V_{DD} = 3.0V$<br>$I_{SOURCE} \geq 10\mu A$   | $V_{DD}-0.2$  |      | $V_{DD}$      | V       |
| Logical "0"                            | $I_{SINK} \geq 10\mu A$  | $V_{SS}$      |      | $V_{SS}+0.2$  | V       |
| Supply Current ( $I_{DD}$ )            | f = 32768 Hz, $T_A = 25^{\circ}C$<br>$V_{DD} = 3.0V$ , Unused Inputs Open,<br>Outputs Open |               | 5    | 10            | $\mu A$ |
| Supply Current ( $I_{DD}$ )            | Stop Mode, $T_A = 25^{\circ}C$ , $V_{DD} = 3.0V$ ,<br>Unused Inputs Open, Outputs Open     |               |      | 1             | $\mu A$ |

## functional description

A block diagram of the MM5829 digital watch chip is shown in *Figure 1*. A chip pad layout is shown in *Figure 2* and a package connection diagram in *Figure 3*.

### Time Base

The precision time base of the watch is provided by the interconnection of a 32768 Hz quartz crystal and the RC network shown in *Figure 4* together with the CMOS inverter/amplifier provided between the oscillator in and oscillator out terminals. Resistor R1 is necessary to bias the inverter for class A amplifier operation. Resistor R2 is required in order to (a) reduce the voltage sensitivity of the network, (b) limit the power dissipation in the

quartz crystal, and (c) provide added phase shift for good start-up and low voltage circuit performance. Capacitors C1 and C2 in series provide the parallel load capacitance required for precise tuning of the quartz crystal.

The network shown provides  $>100$  ppm tuning range when used with standard X-Y flexure crystals trimmed for  $C_L = 12$  pF. Tuning to better than  $\pm 2$  ppm is easily obtainable.

The 4096 Hz output or 1 Hz output can be used to monitor the oscillator frequency during initial tuning without disturbing the network itself.



## functional description (con't)

### Time Display

The HOURS-MINUTES/SECONDS Display feature is controlled by a normally open switch connected to the Time input as shown in *Figure 6*. A logic "1" applied to the Time input will cause HOURS-MINUTES to be displayed for not less than 1.5 seconds or more than 2.0 seconds. The hours digits can display values 1-12 while the minutes digits can display values 00-59. All zero values are displayed for minutes and leading zero values of hours are blanked. The character display font is shown in *Figure 5*. Holding a logic "1" on the Time input after the time-out of HOURS-MINUTES will cause SECONDS to be displayed in digit positions 3 and 4 until the Time input is opened. SECONDS will blink while displayed. Each value is visible for 0.5 seconds and blanked for 0.5 seconds. The SECONDS digits can display values 00-59. All zero values are displayed.

### Display Multiplexing

Outputs from each counter are time-division multiplexed to provide digit-sequential access to the time data. Thus, instead of requiring 28 leads to interconnect a four digit (7 segments/digit) watch, only 11 output leads are required. *Figure 6* shows the interconnection of an LED watch system. The four digit outputs of the MM5829 are designed to interface with the bipolar DM8650 digit driver chip. The seven segment outputs are designed to interface with the bipolar DM8651 segment driver chip. The four digits of the LED Display are multiplexed with a 25% duty cycle, 1024 Hz signal during Display. The digit drivers are turned off for 15 $\mu$ s during change of digits to allow the seven segments to change without "ghosting" of the Display. When the MM5829, DM8650, and DM8651 are used as shown in the typical application of *Figure 6* the peak segment on currents are typically 9 mA. The 0101 LED Display gives excellent brightness under these drive conditions.

### Time Setting

A normally open switch connected to the Set input is used in conjunction with the Time switch to set hours, minutes, and synchronize seconds.

**HOURS:** A logic "1" applied to the Set input will cause HOURS-MINUTES to be displayed and will advance

HOURS at a 1 Hz rate. The Seconds and Minutes counters continue normal counting during this condition.

**SECONDS:** With a logic "1" on the Time input, the application of a logic "1" to the Set input will immediately reset the Seconds counter to 00 and allow a normal seconds count from there.

**MINUTES:** A logic "1" applied to both the Time and Set inputs will allow HOURS-MINUTES to be displayed and will advance the MINUTES at a 1 Hz rate. A transition from 59 to 00 will not advance the Hours counter in this condition.

**CONTACT BOUNCE:** Debounce circuitry is provided on the Time and Set inputs to remove any logic uncertainty upon either closure or release of switches providing switch bounce settles within 20 ms.

### Oscillator Stop

The oscillator can be stopped in order to conserve battery life during shipment of the watch. The oscillator will stop if a logic "1" is momentarily applied to the Time input and while HOURS-MINUTES are displayed a logic "1" is momentarily applied to the Set input. The Display is inactive during this mode. The oscillator will start again when a logic "1" is applied to the Set input.

### Test Points

Four pins are provided for test purposes. A 4096 Hz symmetrical signal is brought out for oscillator tuning. The pin 1 Hz/Test Frequency is an input/output under control of Test. With Test open, a 1 Hz output will appear on the 1 Hz/Test Frequency pin. If Test is connected to a logic "0," the 1 Hz/Test Frequency becomes an input and any frequency connected to it will be divided by the Seconds counter in place of the normal 1 Hz signal. This feature is provided to allow high speed functional testing of the watch system. If lamp is connected to a logic "0," all segments will be forced to an on condition under control of the normal 25% duty cycle of the digit drivers. An internal pull-up resistor will normally hold the lamp input to logic "1."

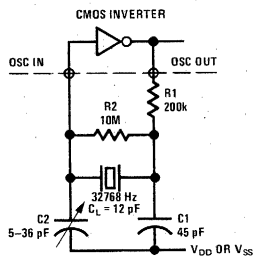


FIGURE 4. Crystal Oscillator Network

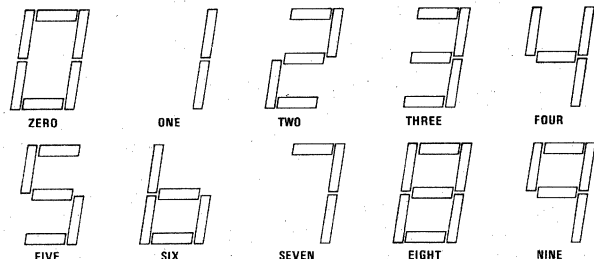


FIGURE 5. Character Display Font

functional description (con't)

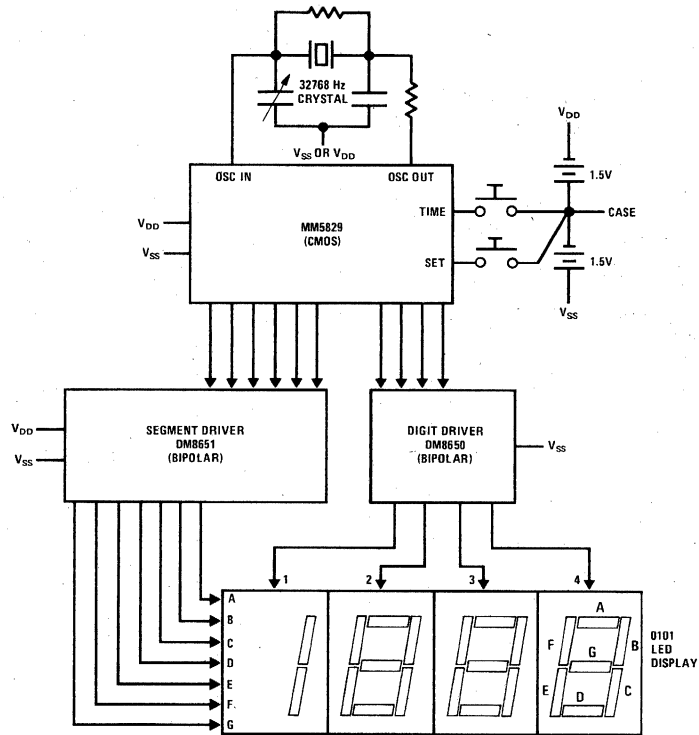


FIGURE 6. Typical Application



**MM5860, MM58601, MM5880, MM58801**  
**two time zone LED watch circuits**

**general description**

The MM5860/MM5880 is a low threshold voltage, ion-implanted, metal-gate CMOS integrated circuit that provides or controls all signals needed for a 4-digit LED watch. The display format is either 12 or 24 hours. The circuit time base is a 32,768 Hz crystal controlled oscillator. This time base is successively divided to provide drive signals for a multiplexed 7-segment LED display of Date-Month, Local Hours-Minutes, Zone Hours-Minutes, or Seconds upon demand for the MM5860 version. The MM5880 version will vary only in the date display by displaying Month-Date. The MM58X01 versions will blink the Month during the date display. Outputs interface with currently available standard bipolar segment and digit driver integrated circuits. The device operates from a single 2.4-4.0V supply. All versions are available as unpackaged die suitable for hybrid assembly or in 40-lead dual-in-line packages for evaluation purposes.

**features**

- 32,768 Hz crystal controlled operation
- Single 3V supply
- Low power dissipation (15µW typical)
- Seconds, Minutes, Local and Zone Hours, Date, and Month display
- 4 year calendar
- 4-digit, 12/24 hour display format
- AM indication in 12-hour format
- Simple display/set controls
- Auto return from Set and Display mode
- Easy interface to standard bipolar IC's for display drive
- Display brightness control

**block and connection diagrams**

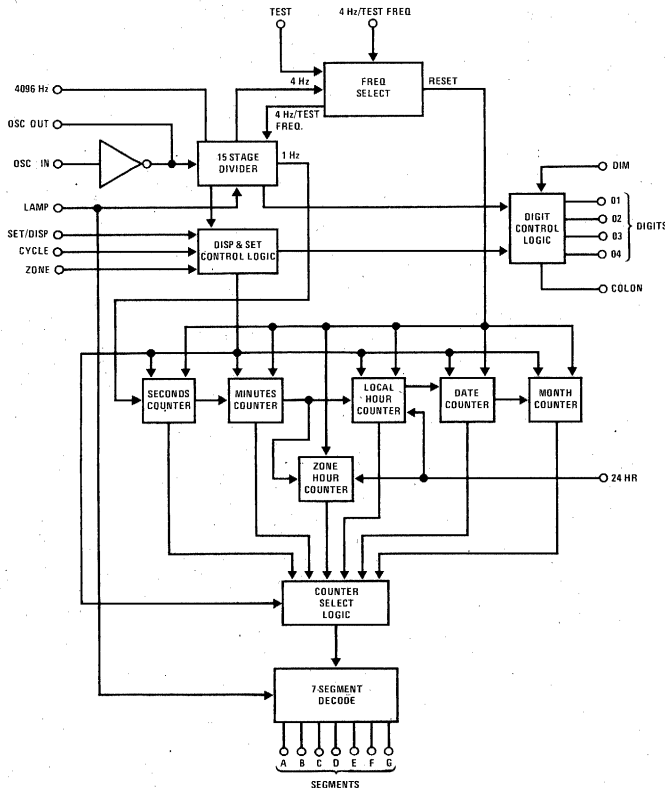


FIGURE 1.

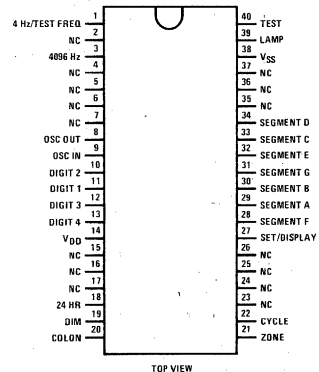


FIGURE 2.

**absolute maximum ratings**

|  |                                    |
|--|------------------------------------|
| Voltage at Any Pin                       | $V_{SS} - 0.3V$ to $V_{DD} + 0.3V$ |
| Operating Temperature Range              | $-5^{\circ}C$ to $+70^{\circ}C$    |
| Storage Temperature Range                | $-25^{\circ}C$ to $+85^{\circ}C$   |
| $V_{DD} - V_{SS}$                        | 5V max                             |
| Lead Temperature (Soldering, 10 seconds) | $300^{\circ}C$                     |

**electrical characteristics**

$T_A$  within operating temperature range,  $V_{SS} = \text{Gnd}$ ,  $2.4V \leq V_{DD} \leq 4V$ , unless otherwise noted.

| PARAMETER   | CONDITIONS   | MIN             | TYP  | MAX             | UNITS   |
|---|--|-----------------|------|-----------------|---------|
| Oscillator Start Voltage                            | $T_A = 25^{\circ}C$ , Circuit of <i>Figure 4</i>   | 2.7             |      |                 | V       |
| Input Voltage Levels at Cycle, Set/Display and Zone | $V_{DD} = 3V$  |                 |      |                 |         |
| Logical "1"   |  | $1/2 V_{DD}$    |      | $V_{DD}$        | V       |
| Logical "0"   | $300k\Omega$ Internal Pull-Down to $V_{SS}$  |                 | Open |                 |         |
| Input Voltage Levels at 4 Hz/Test Freq, 24 Hr.      |  |                 |      |                 |         |
| Logical "1"   |  | $V_{DD} - 0.25$ |      | $V_{DD}$        | V       |
| Logical "0"   |  | $V_{SS}$        |      | $V_{SS} + 0.25$ | V       |
| Input Voltage Levels at Lamp, Test                  | $V_{DD} = 3V$  |                 |      |                 |         |
| Logical "1"   | $1 M\Omega$ Internal Pull-Up to $V_{DD}$   |                 | Open |                 |         |
| Logical "0"   |  | $V_{SS}$        |      | $V_{SS} + 0.25$ | V       |
| Input Voltage Levels at Dim                         |  |                 |      |                 |         |
| Display Duty Cycle = 21.875%                        | $5 M\Omega$ Pull-Down to $V_{SS}$  | Open            | or   | $V_{SS} + 0.3$  | V       |
| Display Duty Cycle = 9.125%                         |  | $V_{SS} + 0.9$  |      | $V_{DD} - 1.1$  | V       |
| Display Duty Cycle = 3.125%                         |  | $V_{DD} - 0.5$  |      |                 | V       |
| Input Current at Cycle, Set/Display and Zone        | $V_{IN} = V_{DD}$ , Sink Only, $V_{DD} = 3V$   | 0.2             |      | 10              | $\mu A$ |
| Input Current at Lamp and Test                      | $V_{IN} = V_{SS}$ , Source Only, $V_{DD} = 3V$   | 0.2             |      | 5               | $\mu A$ |
| Input Current of Dim                                | $V_{IN} = V_{DD}$ , Sink Only, $V_{DD} = 3V$   | 0.1             |      | 2               | $\mu A$ |
| Input Capacitance                                   | $f = 1 \text{ MHz}$ , $V_{IN} = 0V$ , All Other Pads Gnd   |                 |      | 5               | pF      |
| Output Current Levels at Segment Drivers            |  |                 |      |                 |         |
| Logical "1," Source                                 | $V_{DD} = 2.4V$ , $V_{OUT} = V_{DD} - 0.2V$  | 10              | 30   |                 | $\mu A$ |
| Logical "0," Sink                                   | $V_{DD} = 2.4V$ , $V_{OUT} = V_{SS} + 0.5V$  | 300             | 600  |                 | $\mu A$ |
| Output Current Levels at Digit Drivers              |  |                 |      |                 |         |
| Logical "1," Source                                 | $V_{DD} = 2.4V$ , $V_{OUT} = V_{DD} - 1.3V$  | 840             | 1500 |                 | $\mu A$ |
| Logical "0," Sink                                   | $V_{DD} = 2.4V$ , $V_{OUT} = V_{SS} + 0.2V$  | 10              | 30   |                 | $\mu A$ |
| Output Current Levels at 4 Hz/Test Freq, 4096 Hz    | $V_{DD} = 3V$  |                 |      |                 |         |
| Logical "1," Source                                 | $V_{OUT} = V_{DD} - 0.2V$  | 10              |      |                 | $\mu A$ |
| Logical "0," Sink                                   | $V_{OUT} = V_{SS} + 0.2V$  | 10              |      |                 | $\mu A$ |
| Output Current Levels at Colon                      |  |                 |      |                 |         |
| Logical "0," Sink                                   | $V_{DD} = 2.4V$ , $V_{OUT} = 1V$   | 0.8             |      |                 | mA      |
| Supply Current ( $I_{DD}$ )                         | $f = 32,768 \text{ Hz}$ , $T_A = 25^{\circ}C$ , $V_{DD} = 3V$ , Unused Inputs Open, Outputs Open |                 | 5    | 10              | $\mu A$ |
| Supply Current ( $I_{DD}$ )                         | Oscillator Stopped, $T_A = 25^{\circ}C$ , $V_{DD} = 3V$ , Unused Inputs Open, Outputs Open       |                 | 0.05 | 1               | $\mu A$ |

## functional description

Unless otherwise specified, all references to the MM58X0 will also refer to the MM58X01. A block diagram of the MM5860/MM5880 is shown in *Figure 1*. The connection diagram is shown in *Figure 2* and the chip pad layout in *Figure 3*.

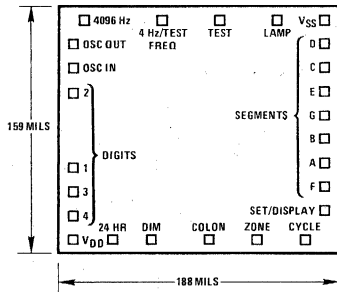


FIGURE 3. Pad Layout

**Time Base:** The precision time base of the watch is provided by connecting a crystal-controlled RC network to the on-chip CMOS inverter/amplifier as shown in *Figure 4*. For proper operation, the network should be tuned to 32,768 Hz. Resistor R1 is used to bias the on-chip inverter for class A amplifier operation. Resistor R2 is used to (a) reduce the voltage sensitivity of the network; (b) limit the power dissipation in the quartz crystal; and (c) provide added phase shift for good start-up and low voltage circuit performance. Capacitors C1 and C2 in series provide the parallel load capacitance required for precise tuning of the quartz crystal. The network shown in *Figure 4* provides greater than 100 ppm tuning range when used with standard X-Y flexure quartz crystals trimmed for  $C_L = 12$  pF. Tuning to better than 2 ppm is easily obtainable.

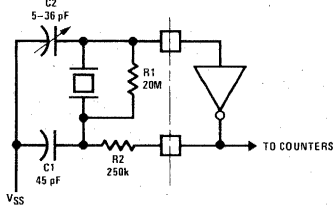


FIGURE 4. Oscillator RC Network

The 4096 Hz output or the 4 Hz output can be used to monitor the oscillator frequency during initial tuning without disturbing the network itself.

**Display Multiplexing:** The counter data selected to be displayed is time-division multiplexed to provide digit-sequential presentation to the LED display. This reduces the number of outputs required to drive the 4-digit display to 11 (7 segment drivers and four digit drivers). The display font is shown in *Figure 5*. *Figure 6* is a schematic diagram of a typical LED watch using the MM5860/MM5880 watch chip. The digit outputs of the MM5860/MM5880 are designed to interface with the bipolar DS8658 digit driver chip and the segment driver outputs will interface with the bipolar DS8659 segment driver chip. The four digits of the LED display are multiplexed with a 25% duty cycle, 1024 Hz signal during the display period. The digit drivers are disabled for 32 $\mu$ s at the beginning of each digit enable time

to allow the segment decoding circuitry adequate time to switch to the next digit's information. This eliminates the possibility of "ghosting" information between digits. When the MM5860/MM5880, DS8658 and DS8659 are used in a typical application as shown in *Figure 6* the peak segment "ON" currents are typically 11 mA. The NSCO101 LED display gives excellent brightness under these drive conditions.

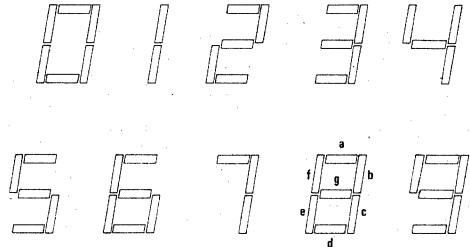


FIGURE 5. Character Display Font

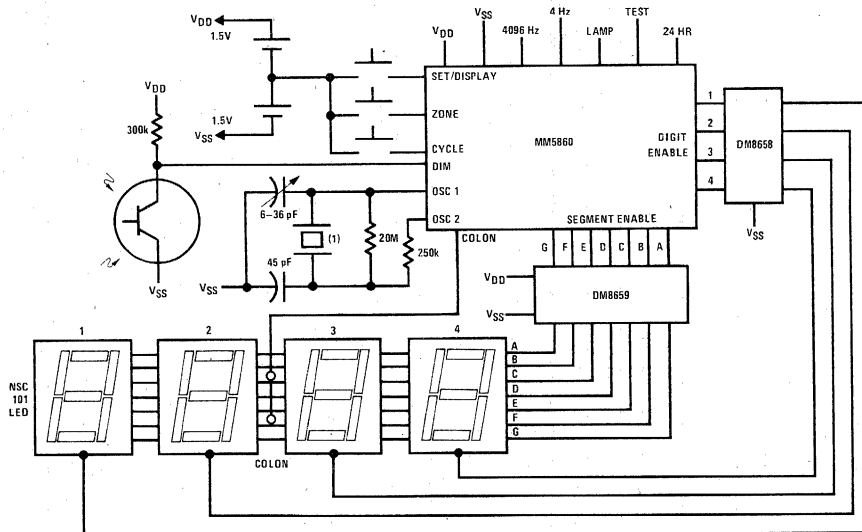
## DISPLAY CONTROL

The Time and Date display sequence is controlled by a normally open switch connected to the Set/Display input. With the display off, depressing the Set/Display switch will activate the Local Hour: Minute display. This display will remain on for 1.25 seconds  $\pm 0.125$  seconds. If the switch is still held in at the end of this time out, Seconds will be displayed, blinking on for 0.25 seconds and off for 0.75 seconds, until the Set/Display switch is released. If, during the Hour:Minute display, the Set/Display switch is released and depressed a second time the date will be displayed as Date Month in the MM5860 version and as Month Date in the MM5880 version. The Month will blink on for 0.25 seconds and off for 0.75 seconds in the MM58601 and the MM58801 versions and not blink in the MM5860 and the MM5880 versions. The display will remain on for 1.25 seconds and turn off automatically if the Set Display switch has been released. Holding the Set/Display switch in past the display time out will maintain the display until the Set/Display switch is released. Zone Hour:Minute can be displayed by depressing the Zone switch. This display will also remain on for 1.25 seconds  $\pm 0.125$  seconds. Holding the Zone switch depressed beyond this period will cause Seconds to be displayed until the switch is released. The date information can not be displayed using the Zone switch. Leading zeros are blanked on the Month, Date and Hour displays.

## TIME SETTING

The setting sequence is controlled by a normally open switch connected to the Cycle input. Depressing the Cycle switch will advance the watch to the next set mode.

**Set Hour Mode:** With the watch in normal Run mode and the display off, depressing the Cycle switch will advance the watch to the Set Local Hour mode. In this mode local hours will be displayed in digit positions 1 and 2 followed by the colon. The AM dot will be on during AM time display. Depressing the Set/Display switch will advance the Local Hour counter at a 2 Hz rate. Depressing the Zone switch while in the Set Local Hour mode will cause zone hours information to replace the local hours information in digit positions 1 and 2.



(1) Anti-resonant quartz crystal,  $C_L = 12$  pF

FIGURE 6. System Schematic

The colon and the AM dot will still be presented as in the Local Hours display. The Zone Hour counter can now be advanced at a 2 Hz rate by depressing the Set/Display switch.

In either of the above Set Hour modes if no switches are depressed for 5.25 seconds  $\pm 0.125$  seconds consecutively, the watch will automatically return to the Run mode. Depressing the Cycle switch while in the Set Zone Hour mode will return the watch to the Run mode. Depressing it while in the Set Local Hour mode will place the watch in the Set Minutes mode.

**Set Minutes Mode:** The Set Minutes mode will display minutes in digit positions 3 and 4 preceded by the colon. Depressing the Set/Display switch while still holding the Cycle switch in will enable the Hold flag but will not allow advancement of the Minutes Counter. Depressing the Set/Display switch after the Cycle switch has been released will do the following:

- Reset and hold the Seconds Counter
- Enable the Hold flag, and
- Advance the Minutes Counter at a 2 Hz rate

If none of the switches are depressed for 5.25 seconds  $\pm 0.125$  seconds consecutively while in the Set Minutes mode, the watch will automatically return to the Run Mode if minutes have not been set or will jump to the Hold mode if minutes have been set. Depressing the Cycle switch while in the Set Minutes mode will advance the watch to the Set Date mode for the MM5860 version or the Set Month mode for the MM5880 version.

**Set Date Mode:** The Set Date mode will display the Day of Month in digit positions 1 and 2 in the MM5860 version, or in digit positions 3 and 4 in the MM5880 version, with no colon displayed. Depressing the Set/Display switch while in the Set Date mode will advance the Date Counter at a 2 Hz rate.

If none of the switches are depressed for 5.25 seconds  $\pm 0.125$  seconds consecutively while in the Set Date mode, the watch will automatically return to the Run mode if the Minutes Counter was not set or will jump to the Hold mode if the Minutes Counter was set. Depressing the Cycle switch while in the Set Date mode will advance the watch to the Run mode if the Minutes Counter was not set or will advance it to the Hold mode if the Minutes Counter was set for the MM5880 version. Depressing the Cycle switch while in the Set Date mode of the MM5860 version will advance the watch to the Set Month mode.

**Set Month Mode:** The Set Month mode will display the month in digit positions 3 and 4 in the MM5860 version, or in digit positions 1 and 2 in the MM5880 version, with no colon displayed. Depressing the Set/Display switch while in the Set Month mode will advance the Month Counter at a 2 Hz rate.

If none of the switches are depressed for 5.25 seconds  $\pm 0.125$  seconds consecutively while in the Set Month mode, the watch will automatically return to the Run mode if the Minutes Counter was not set or will jump to the Hold mode if the Minutes Counter was set. Depressing the Cycle switch while in the Set Month mode will advance the watch to the Run mode if the Minutes Counter was not set or will advance it to the Hold mode if the Minutes Counter was set for the MM5860 version. Depressing the Cycle switch in the Set Month mode of the MM5880 version will advance the watch to the Set Date mode.

**Hold Mode:** In the Hold mode the Seconds Counter is held at 00. Local Hour:Minute will blink on for 0.25 seconds and off for 0.75 seconds. Depressing the Cycle switch while in the Hold mode will put the watch back into the Set Hour mode and then the counters can be set as described previously. With the Hold mode still activated, the watch will return to the Hold mode only. Depressing the Set/Display switch while in the Hold

mode will place the watch into the display Local Hour: Minute mode and allow the Seconds Counter to begin normal operation.

There is no roll-over of the next higher counter while a counter is being set. For example, while the Minutes Counter is set from 59 to 00 neither the Local Hour nor the Zone Hour Counter will be advanced.

Figure 7 is a state diagram showing the display and set functions for both the MM5860 and the MM5880.

**COLON OUTPUT**

This output provides direct drive of the colon in the LED display unit. Colon will sink current when activated. The colon output will be activated during the display of either one of the hour counters or the minute counter or both.

**CONTACT BOUNCE**

Debounce circuitry is provided on the "Set/Display" and "Cycle" inputs to remove any logic uncertainty upon either closure or release of switches provided switch bounce settles within 100 ms.

**12/24 HOUR OPTION**

12/24 hour mode operation of the watch is controlled

by the logical state of the "24 Hr" input. If the "24 Hr" input is a logical "1" the watch will operate in the 24 hour mode. When the "24 Hr" input is a logical "0" the watch operates in 12 hour mode.

**DIM INPUT**

The Dim input is a three level input used to control the display intensity of the watch. This input has a pull-down to VSS to hold it normally at a logical "0."

In this condition the display will normally be at maximum intensity. With the Dim input at 1/2 VDD, the display will be at approximately 1/2 of full intensity. Placing the input at VDD will reduce the display intensity to approximately 1/8 of full intensity. Figure 8 shows the switching threshold ranges for the three level DIM input.

**TEST POINTS**

Four pads are provided for test purposes.

4096 Hz: This pad outputs a 4096 Hz signal that can be used for oscillator tuning.

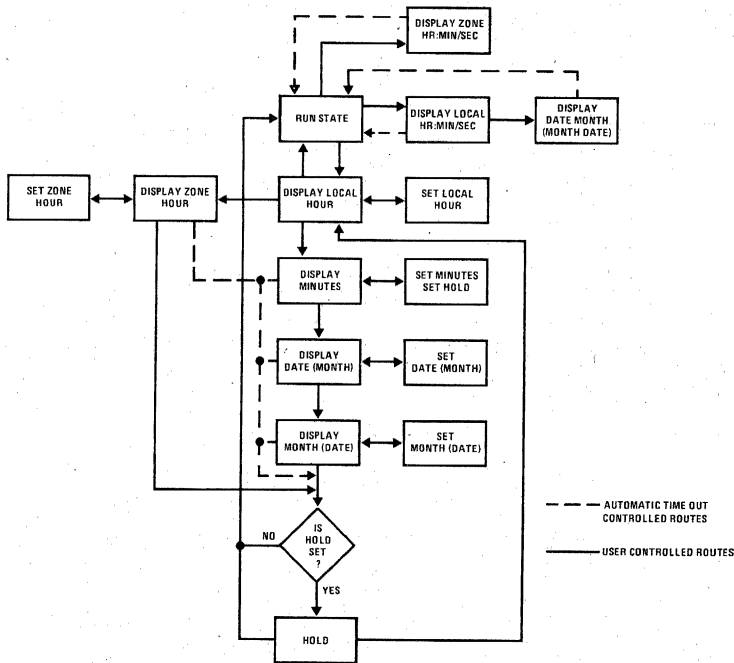


FIGURE 7. Control State Diagram MM5860 (MM5880)

|                          | DISPLAY TIME/DIGIT | DISPLAY CONDITION             |
|--------------------------|--------------------|-------------------------------|
| $V_{IN} = V_{DD}$        | 3.125%             | Low Ambient Light Levels      |
| $V_{IN} = V_{DD} - 0.5V$ | Threshold Region   |                               |
| $V_{IN} = V_{DD} - 1.1V$ | 9.125%             | Moderate Ambient Light Levels |
| $V_{IN} = V_{SS} + 0.9V$ | Threshold Region   |                               |
| $V_{IN} = V_{SS} + 0.3V$ | 21.875%            | High Ambient Light Levels     |
| $V_{IN} = V_{SS}$        |                    |                               |

FIGURE 8. Counter Voltage Levels at Dim Input

**TEST POINTS (CON'T)**

**4 Hz/Test Freq:** This is an input/output pad under the control of the "Test" input. When "Test" is at a logical "0," the "4 Hz/Test Freq" pad becomes an input and any frequency connected to it will replace the normal internal 4 Hz signal. This feature is provided to allow high speed functional testing of the watch system. When "test" is open or at a logical "1", a 4 Hz output will appear on the "4 Hz/Test Freq" pad.

**Test:** This pad is used as an input to control "4 Hz/Test Freq." An internal pull-up resistor will normally hold "Test" at a logical "1."

Changing the Test input from a logical "1" to a logical "0" will generate a reset pulse which will Set the internal counters to 1 PM on January the first. The watch is now in a known state for testing purposes.

**Lamp:** When the "Lamp" input is at a logical "0," all segments of the display will be forced to an "ON" condition under control of the normal 25% duty cycle of the digit drivers. An internal pull-up resistor will normally hold the "Lamp" input at a logical "1."





**MM5879, MM5889, MM5899 RC circuits**

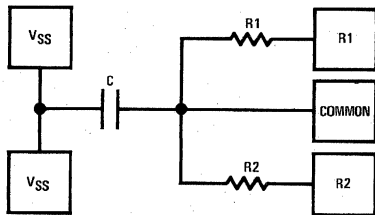
**general description**

The MM5879, MM5889, MM5899 are RC circuits which may be used in watch modules and other similar applications. They are available in die form. All die are pad-for-pad interchangeable, offering a range of capacitance and resistance values.

**absolute maximum ratings**

Voltage at Any Pad  $V_{SS} + 0.3V$  to  $V_{SS} - 20V$   
 Operating Temperature  $-5^{\circ}C$  to  $+70^{\circ}C$   
 Storage Temperature  $-65^{\circ}C$  to  $+150^{\circ}C$

**schematic diagram**



| PART NUMBER | R1   |      | R2  |     | CAP (Note 1) |       |
|-------------|------|------|-----|-----|--------------|-------|
|             | MIN  | MAX  | MIN | MAX | MIN          | MAX   |
| MM5879      | 125k | 235k | 15M | 30M | 9 pF         | 13 pF |
| MM5889      | 250k | 470k | 15M | 30M | 45 pF        | 55 pF |
| MM5889AB    | 250k | 470k | 15M | 30M | 24 pF        | 36 pF |
| MM5899      | 250k | 470k | 15M | 30M | 14 pF        | 20 pF |

Note 1: Capacitances are measured periodically only. Capacitance measured from  $V_{SS}$  to common.

**chip pad layout**

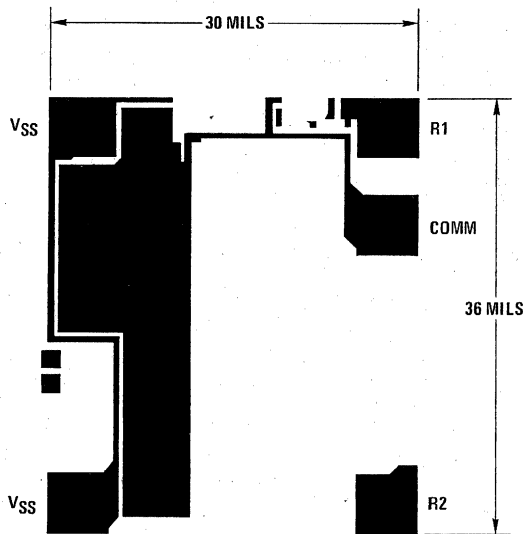


FIGURE 1.



**absolute maximum ratings**

|  |                                    |
|--|------------------------------------|
| Voltage at Any Pin                       | $V_{SS} - 0.3V$ to $V_{DD} + 0.3V$ |
| Operating Temperature Range              | $-5^{\circ}C$ to $+70^{\circ}C$    |
| Storage Temperature Range                | $-25^{\circ}C$ to $+85^{\circ}C$   |
| $V_{DD} - V_{SS}$                        | 5V max                             |
| Lead Temperature (Soldering, 10 seconds) | $300^{\circ}C$                     |

**electrical characteristics**

$T_A$  within operating temperature range,  $V_{SS} = GND$ ,  $2.4 \leq V_{DD} \leq 4.0V$ , unless otherwise noted.

| PARAMETER  | CONDITIONS  | MIN             | TYP  | MAX             | UNITS   |
|--|---|-----------------|------|-----------------|---------|
| Oscillator Start Voltage                                       | $T_A = 25^{\circ}C$   | 2.7             |      |                 | V       |
| Input Voltage Levels at Cycle, Set/Display, Day/Date, Hour/Min |   |                 |      |                 |         |
| Logical "1"  | 300 k $\Omega$ Internal Pull-Down to $V_{SS}$   | $1/2 V_{DD}$    |      | $V_{DD}$        | V       |
| Logical "0"  |   |                 | Open |                 |         |
| Input Voltage Levels at 4 Hz/Test Freq.                        |   |                 |      |                 |         |
| Logical "1"  |   | $V_{DD} - 0.25$ |      | $V_{DD}$        | V       |
| Logical "0"  |   | $V_{SS}$        |      | $V_{SS} + 0.25$ | V       |
| Input Voltage Levels at Lamp, Test                             |   |                 |      |                 |         |
| Logical "1"  | 100 k $\Omega$ Internal Pull-Up to $V_{DD}$   |                 | Open |                 |         |
| Logical "0"  |   | $V_{SS}$        |      | $V_{SS} + 0.25$ | V       |
| Input Voltage Levels at Dim, Display Duty Cycle = 21.875%      | 5 M $\Omega$ Pull-Down to $V_{SS}$  | Open            |      | $V_{SS} + 0.3$  | V       |
| Display Duty Cycle = 9.125%                                    |   | $V_{SS} + 0.9$  |      | $V_{DD} - 1.1$  | V       |
| Display Duty Cycle = 3.125%                                    |   | $V_{DD} - 0.5$  |      | $V_{DD}$        | V       |
| Input Current at Cycle, Set/Display, Day/Date, Hour/Min        | $V_{DD} = 3.0V$ , $V_{IN} = V_{DD}$ , Sink Only   |                 | 30   | 50              | $\mu A$ |
| Input Current at Lamp, Test                                    | $V_{DD} = 3.0V$ , $V_{IN} = V_{SS}$ , Source Only                                       |                 | 30   | 50              | $\mu A$ |
| Input Capacitance  | $f = 1$ MHz, $V_{IN} = 0V$ , All Other Pads GND   |                 |      | 5               | pF      |
| Output Current Levels at Segment Drivers                       | $V_{DD} = 2.7V$   |                 |      |                 |         |
| "ON" Source  | $V_{OUT} = V_{DD} - 0.5V$   | 7               | 10   | 15              | mA      |
| "OFF" Source   | $V_{OUT} = V_{DD} - 1.1V$   |                 |      | 50              | $\mu A$ |
| Output Current Levels at Digit Drivers                         | $V_{DD} = 2.7V$   |                 |      |                 |         |
| "ON" Sink  | $V_{OUT} = V_{SS} + 0.6V$   | 50              | 70   | 2               | mA      |
| "OFF" Sink   | $V_{OUT} = 2.0V$ , All Digit Drivers Tied in Parallel                                   |                 |      | 1               | $\mu A$ |
| Output Current Levels at 4 Hz/Test Freq., 4096 Hz              |   |                 |      |                 |         |
| Logical "1" Source   | $V_{OUT} = V_{DD} - 0.2V$   | 10              |      |                 | $\mu A$ |
| Logical "0" Sink   | $V_{OUT} = V_{SS} + 0.2V$   | 10              |      |                 | $\mu A$ |
| Operating Supply Current ( $I_{DD}$ )                          | $f = 32,768$ Hz, $T_A = 25^{\circ}C$ , $V_{DD} = 3V$ , Unused Inputs Open, Outputs Open |                 | 5    | 10              | $\mu A$ |
| Quiescent Supply Current ( $I_{DD}$ )                          | Osc In @ Gnd, $V_{DD} = 3V$ , $T_A = 25^{\circ}C$ , Other Inputs and Outputs Open       |                 | 0.05 | 1               | $\mu A$ |

### functional description

A block diagram of the MM5885/MM5886 direct drive digital watch is shown in *Figure 1*. The chip pad layout is shown in *Figure 2* and a package connection diagram in *Figure 3*.

**Time Base:** The precision time base of the watch is provided by the 32,768 Hz crystal controlled oscillator, which consists of the quartz crystal, the CMOS inverter/amplifier and the RC network shown in *Figure 4*. Resistor R1 is necessary to bias the inverter for class A amplifier operation. Resistor R2 is required in order to (a) reduce the voltage sensitivity of the network; (b) limit the power dissipation in the quartz crystal; and (c) provide added phase shift for good start-up and low voltage circuit performance. Capacitors C1 and  $C_{eff}$  in series provide the parallel load capacitance required for precise tuning of the quartz crystal. The network shown in *Figure 4* provides greater than 100 ppm tuning range when used with standard X-Y flexure quartz crystal trimmed for  $C_L = 12$  pF. Tuning to better than 2 ppm is easily obtainable.

**Cap:** This pin is used with Oscillator Out to add more capacitance to the oscillator RC network shown in *Figure 4*.

**Display Control:** The "Time" and "Date" display sequence is controlled by normally open switches connected to SET/DISPLAY, DAY/DATE (MM5886), and HOUR/MINUTE (inertial switch) inputs. With the display "OFF," depressing the SET/DISPLAY switch will activate the HOUR-MINUTE display. This display will remain "ON" for 1.25 seconds  $\pm 0.125$  seconds. If the switch is still held in at the end of this time out, SECONDS will be displayed blinking "ON" for 0.25 seconds and "OFF" for 0.75 seconds until the SET/DISPLAY switch is released. If, during the HOUR-MINUTE display, the SET/DISPLAY switch is released and depressed a second time, the date will be displayed as DAY-DATE in the MM5885. The DAY-DATE display will remain "ON" for 1.25 seconds  $\pm 0.125$  seconds and turn "OFF" automatically if the SET/DISPLAY switch has been released. Holding the SET/DISPLAY switch past the display time out will maintain the DAY-DATE display until the SET/DISPLAY switch is released. In the MM5886, depressing the SET/DISPLAY a second time has no effect. To display DAY-DATE information in the MM5886, depress the DAY/DATE switch. The DAY-DATE display will remain "ON" for 1.25 seconds  $\pm 0.125$  seconds. If the switch is still held in at the end of this time out, the display will remain until the DAY/DATE switch is released. "Time" may also be displayed in both the MM5885 and

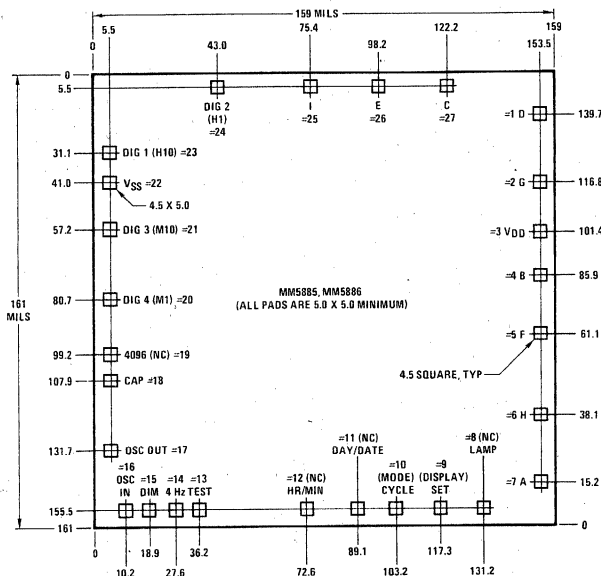


FIGURE 2. Pad Layout

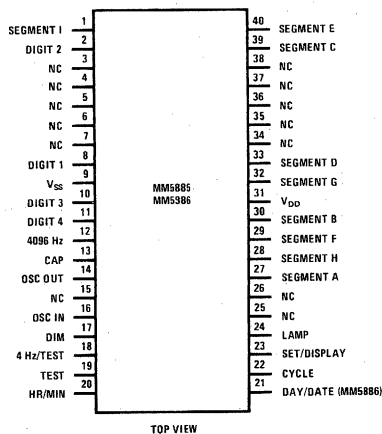


FIGURE 3. Connection Diagram

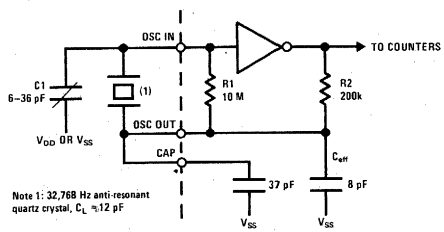


FIGURE 4(a). Oscillator RC Network for Anti-Resonant Quartz Crystals

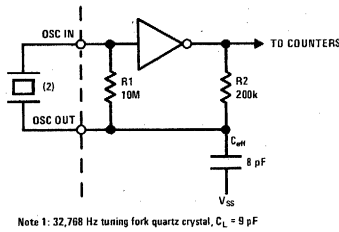


FIGURE 4(b). Oscillator RC Network for Tuning Fork Quartz Crystals

**functional description (con't)**

MM5886 by activating the HOUR/MINUTE input. The HOUR/MINUTE input is used with an inertial switch that is normally open. Closing the switch activates the HOUR/MINUTE display. This display will remain "ON" for 1.25 seconds  $\pm$ 0.125 seconds and then turn "OFF" automatically.

**Time Setting:** The setting sequence is controlled by a normally open switch connected to the Cycle input. Depressing the Cycle switch will advance the watch to the next set mode. *Figure 5* is a flow diagram showing the display and set functions for both the MM5885 and the MM5886.

**Set Hour Mode:** With the watch in the normal Run mode and the display "OFF," depressing the Cycle switch will put the watch into the Set Hour mode. In this mode, HOURS will be displayed in digit positions 1 and 2 followed by the colon. An A or a P will be displayed in digit position 4 to indicate AM or PM, respectively. Depressing the SET/DISPLAY switch will advance the Hours counter at a 2 Hz rate. If neither the SET/DISPLAY switch nor the Cycle switch are depressed for 5.25 seconds  $\pm$ 0.125 seconds, the watch will automatically return to the Run mode. Depressing the Cycle switch while in the Set Hours mode will advance the watch to the Set Minutes mode.

**Set Minutes Mode:** The Set Minutes mode will display minutes in digit positions 3 and 4 preceded by the colon. Depressing the SET/DISPLAY switch while still holding in the Cycle switch will enable the hold flag but will not allow advancement of the MINUTE counter. Depressing the SET/DISPLAY switch after the Cycle switch has been released resets and holds the SECOND counter, enables the hold flag, and advances the MINUTE counter at a 2 Hz rate. If neither switch is depressed for 5.25 seconds  $\pm$ 0.125 seconds while the watch is in the Set Minutes mode, the watch will automatically return to the Run mode if minutes have not been set or will jump to the Hold mode if minutes have been set. Depressing the Cycle switch while in the Set Minutes mode will advance the watch to the Set Day mode.

**Set Day Mode:** The Set Day mode will display DAY-OF-THE-WEEK in digit positions 1 and 2. Depressing the SET/DISPLAY switch while in the Set Day mode will advance the DAY counter at a 2 Hz rate. If neither switch has been depressed for 5.25 seconds  $\pm$ 0.125 seconds while in the Set Day mode, the watch will automatically return to the Run mode if the hold flag was not set or will jump to the Hold mode if the hold flag was set. Depressing the Cycle switch while in the Set Day mode will advance the watch to the Set Date mode.

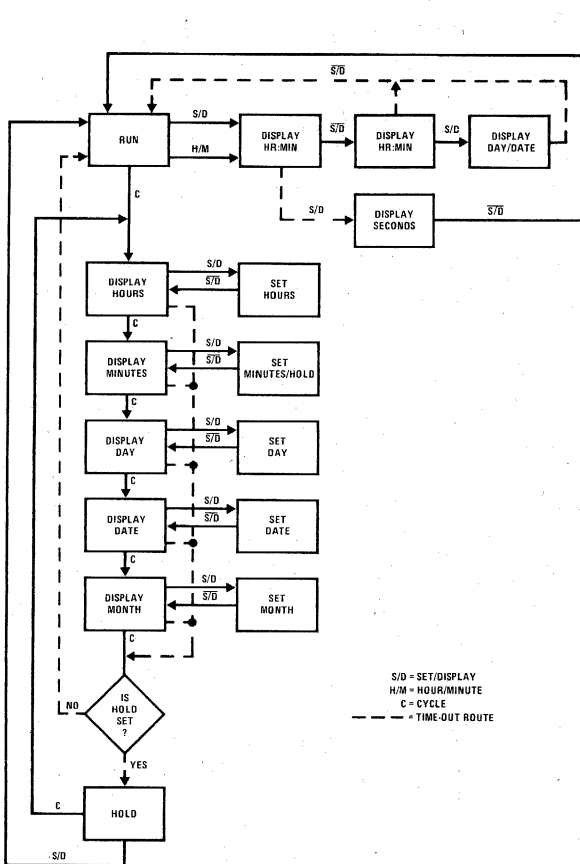


FIGURE 5(a). MM5885 Flow Diagram

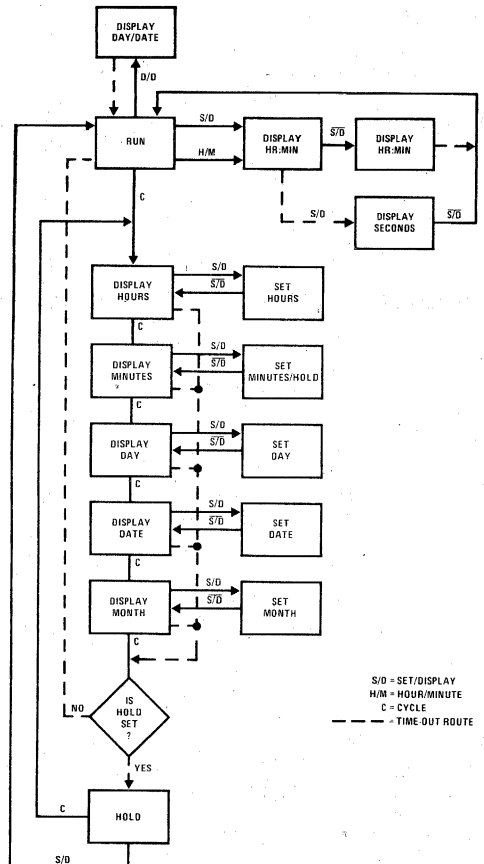


FIGURE 5(b). MM5886 Flow Diagram

**functional description (con't)**

**Set Date Mode:** The Set Date mode will display DATE in digit positions 3 and 4. Depressing the SET/DISPLAY switch while in the Set Date mode will advance the DATE counter at a 2 Hz rate. If neither the SET/DISPLAY nor the Cycle switches have been depressed for 5.25 seconds  $\pm 0.125$  seconds while in the Set Date mode, the watch will automatically return to the Run Mode if the hold flag was not set or will jump to the Hold mode if the hold flag was set. Depressing the Cycle switch while in the Set Date mode will advance the watch to the Set Month mode.

**Set Month Mode:** The Set Month mode will display MONTH in digit positions 3 and 4 and an "M" in digit position 1. Depressing the SET/DISPLAY switch while in the Set Month mode will advance the MONTH counter at a 2 Hz rate. If neither the SET/DISPLAY nor the Cycle switches have been depressed for 5.25 seconds  $\pm 0.125$  seconds while in the Set Month mode, the watch will automatically return to the Run mode if the hold flag was not set, or will advance to the Hold mode if the hold flag was set. Depressing the Cycle switch while in the Set Month mode will advance the watch to the Hold mode if the hold flag was set; otherwise, the watch will advance to the Run mode.

**Hold Mode:** In the Hold mode the SECOND counter is held at 00, and the HOUR-MINUTE display will blink

"ON" for 0.25 seconds and "OFF" for 0.75 seconds. Depressing the SET/DISPLAY switch will place the watch in the display HOUR/MINUTE mode for 1.25 seconds  $\pm 0.125$  seconds. Depressing the Cycle switch while in the Hold mode will advance the watch to the Set Hour mode. There is no roll-over of the next higher counter while a counter is being set at a 2 Hz rate.

**Month Counter:** The MONTH counter provides "smart Date" but is only displayed during the Set Month mode. The DATE counter will count 28 days in February, 30 in April, June, September and November, and 31 in the remaining months.

**Contact Bounce:** Debounce circuitry is provided on the SET/DISPLAY, CYCLE, DAY/DATE and HOUR/MINUTE inputs to remove any logic uncertainty upon either closure or release of the switches. 20 ms debounce protection is provided for SET/DISPLAY, CYCLE and DAY/DATE inputs and 200 ms protection is provided for the HOUR/MINUTE input.

**Display Multiplexing:** The counter data selected to be displayed is time-division multiplexed to provide digit-sequential presentation to the LED display. This reduces

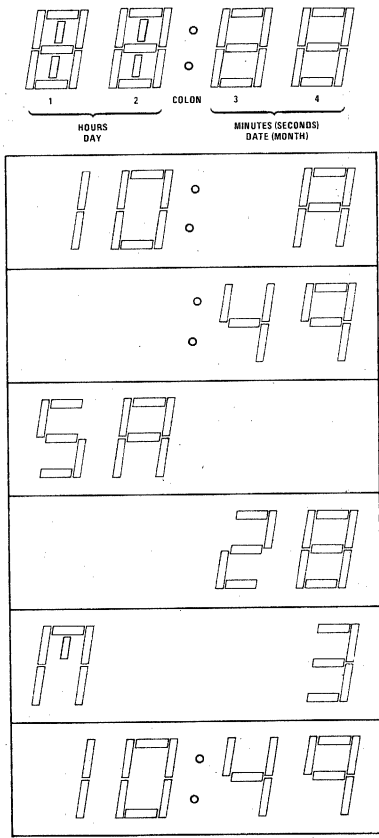


FIGURE 5(c). Set Display Font

### functional description (con't)

the number of outputs required to drive the 4-digit display to thirteen (9-segment drivers and 4-digit drivers). The display font is shown in *Figure 6*. *Figure 8* is a schematic diagram of a typical LED watch using the MM5885 watch chip. The segment and digit drivers are designed to interface directly with the LED display. The four digits of the LED display are multiplexed with a 23% duty cycle, 1024 Hz signal during the display period. The digit drivers are disabled for 32μsec at the beginning of each digit enable time to allow the segment decoding circuitry adequate time to switch to the next digit's information. This eliminates the possibility of "ghosting" information between digits.

**Dim Input:** The Dim input is a 3-level input used to control the display intensity of the watch. This input has a pull-down to  $V_{SS}$  to hold it normally at a logical "0." In this condition, the display will normally be at maximum intensity. With the Dim input at  $1/2 V_{DD}$  the display will be at approximately 1/2 of full intensity. Placing the input at  $V_{DD}$  will reduce the display intensity to approximately 1/8 of full intensity. *Figure 7* shows the switching threshold ranges for the 3-level Dim input.

**Colon Output:** Colon information is present on the "h" and "i" segment outputs during digit position 4.

**Test Points:** Four pads are provided for test purposes.

**4096 Hz:** This pad outputs a 4096 Hz signal that can be used for oscillator tuning.

**4 Hz/Test Freq:** This is an input/output pad under the control of the Test input pad. When "Test" is at a logical "0," the 4 Hz/Test Freq pad becomes an input and any frequency connected to it will replace the normal internal 4 Hz signal. This feature is provided to allow high speed functional testing of the watch system. When "Test" is open or at a logical "1," a 4 Hz output will appear on the 4 Hz/Test Freq pad.

**Test:** This pad is used as an input to control the 4 Hz/Test Freq pad. An internal pull-up resistor will normally hold "Test" at a logical "1." Changing the Test input from a logical "1" to a logical "0" will generate a reset pulse which will set the internal counters to 1 AM on Sunday, January the first. The watch is now in a known state for testing.

**Lamp:** When the Lamp input is at a logical "0," all segments of the display will be forced to an "ON" condition under control of the normal 23% duty cycle of the digit drivers. An internal pull-up resistor will normally hold the Lamp input at a logical "1."

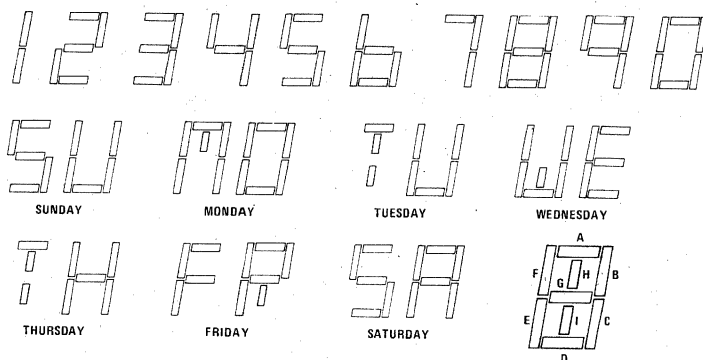
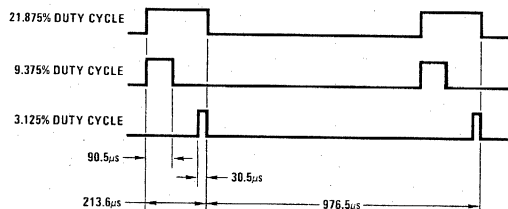


FIGURE 6. Display Font



| $V_{IN}$        | DISPLAY TIME/DIGIT | DISPLAY CONDITION      |
|-----------------|--------------------|------------------------|
| $V_{DD}$        | 3.125%             | Low Ambient Light      |
| $V_{DD} - 0.5V$ | Threshold Region   |                        |
| $V_{DD} - 1.1V$ | 9.375%             | Moderate Ambient Light |
| $V_{SS} + 0.9V$ | Threshold Region   |                        |
| $V_{SS} + 0.3V$ | 21.875%            | High Ambient Light     |
| $V_{SS}$        |                    |                        |

FIGURE 7. Dim Input Levels

functional description (con't)

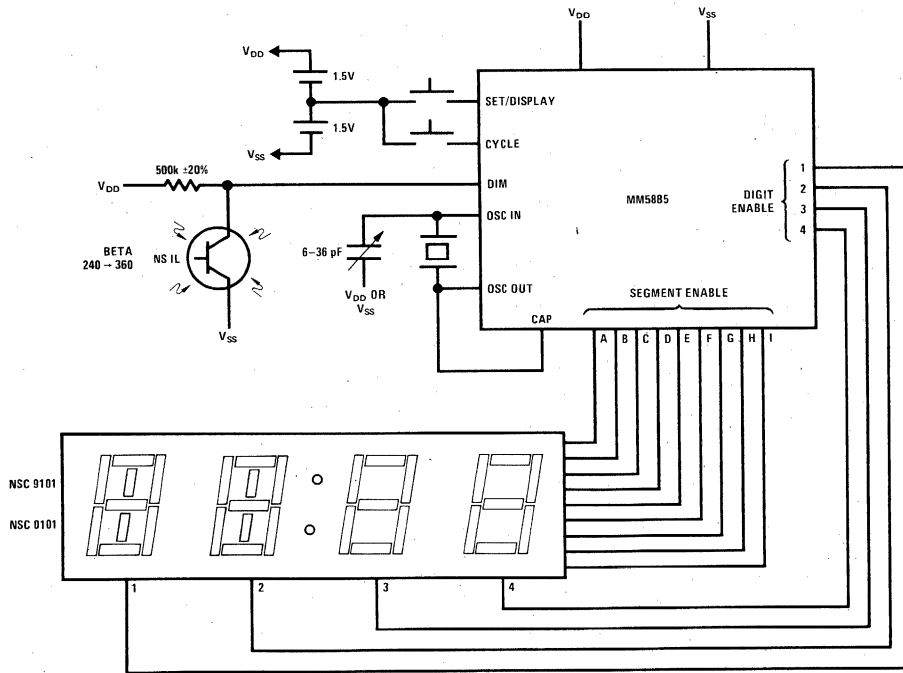


FIGURE 8(a). System Schematic for MM5885 LED Watch (Anti-Resonant Crystal)

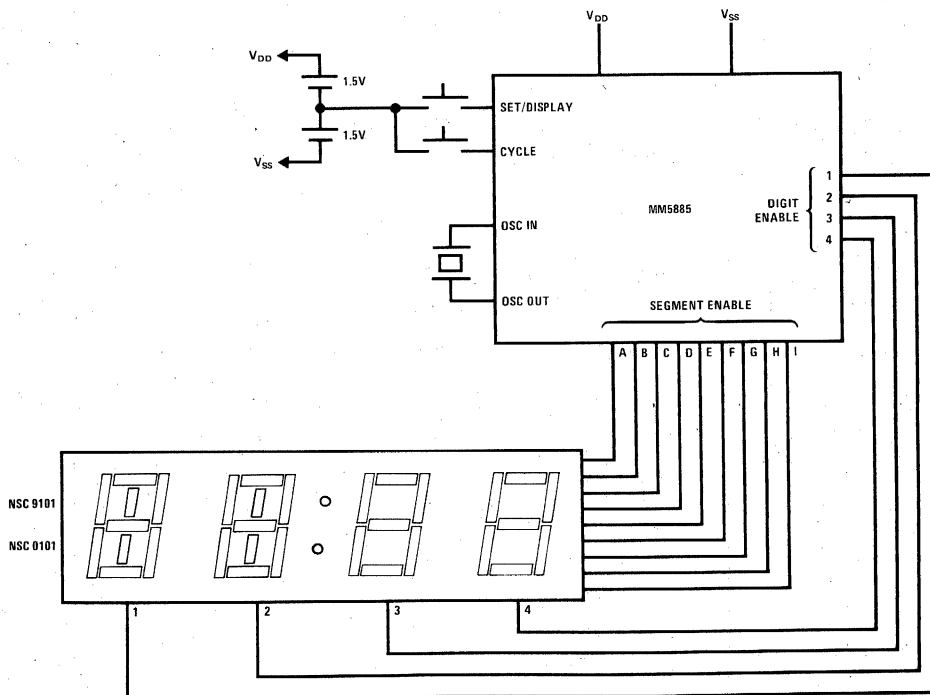


FIGURE 8(b). System Schematic for MM5885 LED Watch (Tuning Fork Crystal)





## MM5890 LCD chronograph circuit general description

The MM5890 is a low threshold voltage, ion implanted, metal-gate CMOS integrated circuit that provides all signals needed to drive an LCD watch of six digits plus nine information segments. The circuit time base is a 32.768 kHz crystal controlled oscillator. This base frequency is divided down to provide SECONDS, MINUTES, HOURS, DAY-OF-THE-WEEK, DATE and MONTH information in the normal watch mode with separate minutes, seconds, and hundredths of a second available in the stopwatch mode. Time display can be bonded to either 12 or 24 hour format. 51 phase controlled outputs are provided for direct drive of the display. The 32 Hz output is used as the backplane drive for normal operation and as a test frequency input during testing. The MM5890 operates on a single 1.4V to 1.6V supply. An on-chip voltage multiplier is used to provide 2 or 3 times the battery voltage to drive the display. The MM5890 is available in die form suitable for hybrid assembly or mounted on a 68-lead dual-in-line PCB assembly for test and evaluation purposes.

## features

- Direct continuous LCD drive capability
- 32.768 kHz crystal controlled operation
- Single 1.5V battery operation
- Voltage multiplier
- Low power dissipation
- 6-digit plus 9 information segment display
- Colon display
- 12 or 24 hour format
- 4 year calendar
- Stopwatch with split operation
- 6-function watch
- 4 button sequential operation

## block diagram

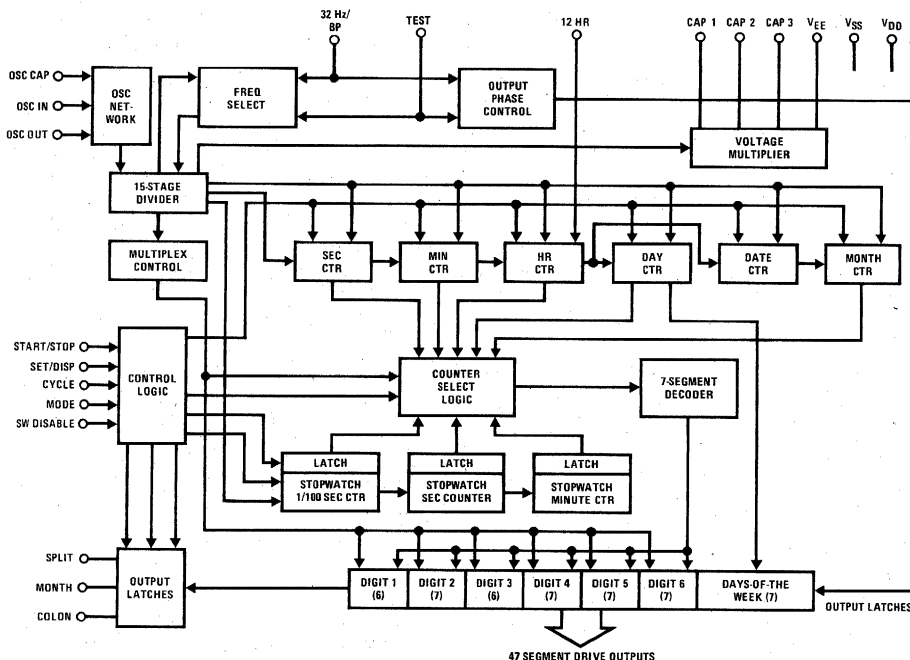


FIGURE 1.

**absolute maximum ratings**

Voltage at OSC IN, OSC OUT, 12 HR. SW Disable, Double, Triple Set/Display, Cycle, Mode, Start/Stop  $V_{DD} + 0.3V$  to  $V_{SS} - 0.3V$   
 Voltage at Any Other Pin  $V_{DD} + 0.3V$  to  $V_{EE} - 0.3V$   
 Operating Temperature Range  $-5^{\circ}C$  to  $+70^{\circ}C$

Storage Temperature Range  $-25^{\circ}C$  to  $+85^{\circ}C$   
 $V_{DD} - V_{EE}$  6.5V  
 $V_{DD} - V_{SS}$  3.0V  
 Lead Temperature (Soldering, 10 seconds)  $300^{\circ}C$

**electrical characteristics**

$T_A$  within operating range,  $V_{DD} - V_{SS} = 1.5V$ ,  $V_{DD} - V_{EE} = 4.5V$ ,  $V_{DD}$  @ Ground unless otherwise noted.

| PARAMETER                                  | CONDITIONS  | MIN             | TYP  | MAX             | UNITS   |
|--|---|-----------------|------|-----------------|---------|
| Oscillator Start Voltage                   | $T_A = 25^{\circ}C$ , (Note 1)                            | 1.40            |      |                 | V       |
| Oscillator Sustaining Voltage              | $T_A = -5^{\circ}C$ , (Note 1)                            | 1.30            |      |                 | V       |
| Input Voltage Levels                       |   |                 |      |                 |         |
| Set/Display, Cycle                         |   |                 |      |                 |         |
| Start/Stop, Mode                           |   |                 |      |                 |         |
| Logical "1"                                |   | $V_{DD} - 0.25$ |      |                 | V       |
| Logical "0"                                | Internal Pull-Down to $V_{SS}$                            |                 | Open |                 | V       |
| Test                                       |   |                 |      |                 |         |
| Logical "1"                                |   | $V_{DD} - 0.25$ |      |                 | V       |
| Logical "0"                                | Internal Pull-Down to $V_{EE}$                            |                 | Open |                 | V       |
| 32 Hz/Backplane                            | Test Input = $V_{DD}$                                     |                 |      |                 |         |
| Logical "1"                                |   | $V_{DD} - 0.25$ |      |                 | V       |
| Logical "0"                                |   |                 |      | $V_{EE} + 0.25$ | V       |
| 12 HR, SW Disable                          |   |                 |      |                 |         |
| Logical "1"                                |   | $V_{DD} - 0.25$ |      |                 | V       |
| Logical "0"                                |   |                 |      | $V_{SS} + 0.25$ | V       |
| Input Current Levels                       |   |                 |      |                 |         |
| Set/Display, Cycle, Start/Stop, Mode, Test | $V_{IN} = V_{DD}$   |                 | 30   | 50              | $\mu A$ |
| Input Capacitance                          | $f = 1$ MHz, $V_{IN} = 0V$ ,<br>All Other Pads Gnd        |                 |      |                 |         |
| OSC OUT                                    |   | 8               |      |                 | pF      |
| OSC Cap                                    |   | 37              |      |                 | pF      |
| All Others                                 |   |                 |      | 5               | pF      |
| Output Current Levels                      |   |                 |      |                 |         |
| Segment Drivers                            |   |                 |      |                 |         |
| Logical "1" Source                         | $V_{OUT} = V_{DD} - 0.2V$ ,<br>( $V_{DD} - V_{EE} = 3V$ ) | 2.0             |      |                 | $\mu A$ |
| Logical "0" Sink                           | $V_{OUT} = V_{EE} + 0.2V$ ,<br>( $V_{DD} - V_{EE} = 3V$ ) | 2.0             |      |                 | $\mu A$ |
| BP/32 Hz Output                            |   |                 |      |                 |         |
| Logical "1" Source                         | $V_{OUT} = V_{DD} - 0.2V$ ,<br>( $V_{DD} - V_{EE} = 3V$ ) | 200             |      |                 | $\mu A$ |
| Logical "0" Sink                           | $V_{OUT} = V_{EE} + 0.2V$ ,<br>( $V_{DD} - V_{EE} = 3V$ ) | 200             |      |                 | $\mu A$ |
| Output Current Levels                      |   |                 |      |                 |         |
| Double, Triple                             |   |                 |      |                 |         |
| Logical "1," Source                        | $V_{OUT} = V_{DD} - 0.25V$ ,<br>Phase 2 < 1 ms            | 7.5             |      |                 | $\mu A$ |
| Logical "0," Sink                          | $V_{OUT} = V_{SS} + 0.25V$ ,<br>Phase 3                   | 35.0            |      |                 | $\mu A$ |

## electrical characteristics (Continued)

| PARAMETER                   | CONDITIONS   | MIN   | TYP | MAX | UNITS   |
|-----------------------------|--|-------|-----|-----|---------|
| Cap 1                       |  |       |     |     |         |
| Logical "1," Source         | $V_{OUT} = V_{DD} - 0.25V$ ,<br>Phase 1                            | 7.5   |     |     | $\mu A$ |
| Logical "0," Sink           | $V_{OUT} = V_{SS} + 0.25V$ ,<br>Phase 2                            | 20.0  |     |     | $\mu A$ |
| Leakage                     | $V_{OUT} = V_{DD} - 3.0V$ ,<br>Phase 3                             |       |     | 0.6 | $\mu A$ |
| Cap 2                       |  |       |     |     |         |
| Logical "0," Sink           | $V_{OUT} = V_{SS} + 0.25V$ ,<br>Phase 1                            | 35.0  |     |     | $\mu A$ |
| Leakage                     | $V_{OUT} = V_{EE} + 1.5V$ ,<br>Phase 2                             |       |     | 0.6 | $\mu A$ |
| $V_{EE}$                    |  |       |     |     |         |
| Logical "0," Sink           | Cap 2 = $V_{DD} - 4.2V$ ,<br>Phase 3<br>$V_{OUT} = V_{DD} - 3.95V$ | 250.0 |     |     | $\mu A$ |
| Input Debounce              | Test Input Open  |       |     |     |         |
| Cycle, Mode                 | Osc. In Freq = 32.768 kHz  | 120   |     | 260 | ms      |
| Set ("0" to "1" Transition) |  | 120   |     | 260 | ms      |
| Set ("1" to "0" Transition) |  | 60    |     | 130 | ms      |
| Start/Stop                  |  | 60    |     | 130 | ms      |
| Supply Current ( $I_{DD}$ ) | $T_A = 25^\circ C$ , $I_{EE} = 1 \mu A$ ,                          |       |     |     |         |
| Doubler Operation           | $f = 32,768 \text{ Hz}$ , $V_{DD} - V_{SS} =$                      |       | 3.0 | 6.0 | $\mu A$ |
| Tripler Operation           | 1.6V, (Note 1)   |       | 6.0 | 8.0 | $\mu A$ |
| Supply Voltage ( $V_{EE}$ ) | $T_A = 25^\circ C$ , $C = 0.047 \mu F$ ,                           |       |     |     |         |
| Doubler Operation           | $I_{EE} = 1 \mu A$ , $f = 32,768 \text{ Hz}$ ,                     | 2.5   |     |     | V       |
| Tripler Operation           | $V_{DD} - V_{SS} = 1.5V$ ,<br>(Figure 9), (Note 2)                 | 3.8   |     |     | V       |

Note 1: In oscillator network shown in Figure 4.

Note 2: External capacitors connected as shown in Figure 9.

## functional description

A block diagram of the MM5890 chronograph chip is shown in Figure 1 with the chip pad layout shown in Figure 2.

**Time Base:** The precision time base of the chronograph is provided by connecting a crystal controlled RC network to the on-chip CMOS inverter/amplifier as shown in Figure 3. For proper operation the network should be tuned to 32.768 kHz. Resistor R1 is used to bias the on-chip inverter for class A amplifier operation. Resistor R2 is used to: a) reduce the voltage sensitivity of the network; b) limit the power dissipation in the quartz crystal; and c) provide added phase shift for good start-up and low voltage operation. Capacitors C1 and C2 in series provide the parallel load capacitance required for precise tuning of the quartz crystal. The network shown in Figure 4 provides greater than 100 ppm tuning range when used with standard X-Y flexure quartz crystals trimmed for  $C_L = 13 \text{ pF}$ . Tuning to better than 2 ppm is easily obtainable. The 32 Hz output

can be used to monitor the oscillator frequency during initial trimming without disturbing the network itself.

## DISPLAY CONTROL

**Watch Mode:** When used as a watch, the MM5890 has two display modes. The first mode displays the HOUR in digit positions 1 and 2, the MINUTE in digit positions 3 and 4, the DATE in digit positions 5 and 6 and the DAY-OF-THE-WEEK (Figure 5). The second mode will display SECONDS in digit positions 5 and 6 instead of the DATE. Depressing the Set/Display switch will change the watch from one mode to the other.

Leading zero values of the DATE and HOUR are blanked. The circuit contains a 4 year calendar which will automatically reset the Date Counter to 1 and advance the Month Counter at the end of each month (except for February in Leap Year). The character display font is shown in Figure 6.

functional description (Continued)

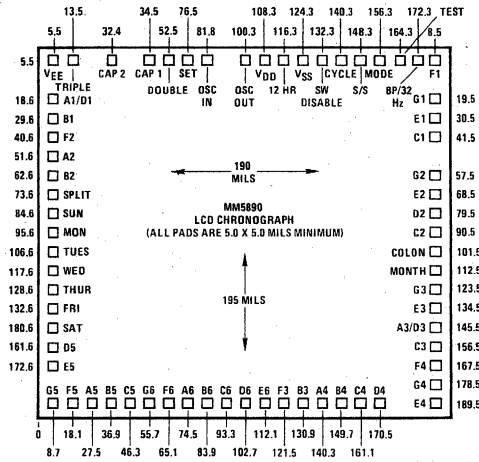


FIGURE 2. Chip Pad Layout

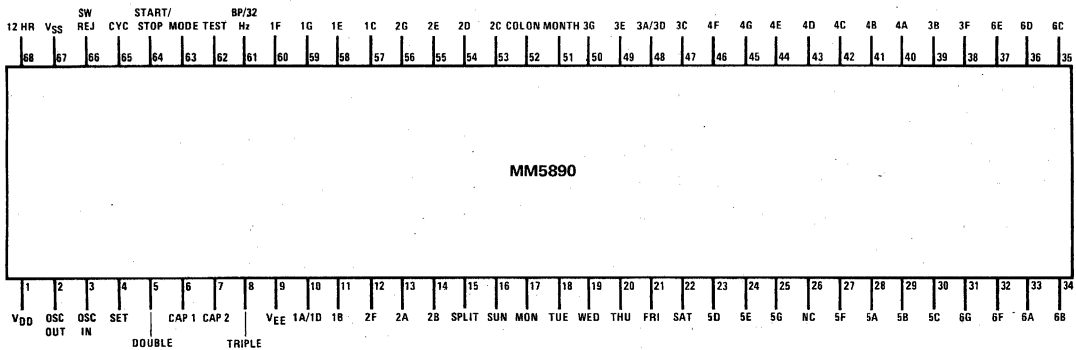


FIGURE 3. Connection Diagram

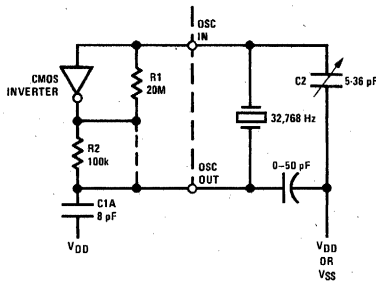


FIGURE 4. Crystal Oscillator Network

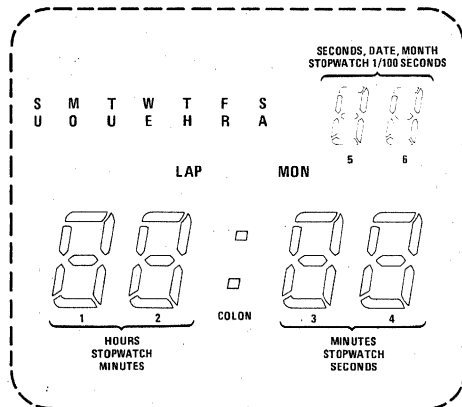


FIGURE 5. Display Format

## functional description (Continued)

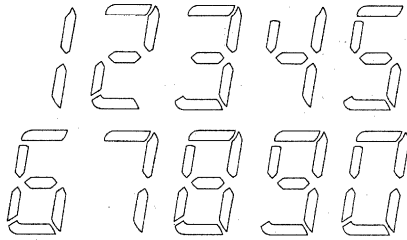


FIGURE 6. Display Font

**Stopwatch Mode:** Depressing the Mode Switch will switch the watch from the normal watch mode to the stopwatch mode. When used as a stopwatch, the MM5890 displays the stopwatch MINUTE in digit positions 1 and 2, the stopwatch SECOND in digit positions 3 and 4, and the stopwatch 1/100 SECOND in digit positions 5 and 6. Depressing the Start/Stop Switch will either start the stopwatch if it is not counting or stop it if it is counting.

Depressing the Set switch will activate the Split Time mode. In this mode the watch will freeze the time showing on the display at the instant the Set switch is depressed. The stopwatch continues counting and the colon will begin blinking at a 1 Hz rate to indicate the continuing count. Depressing the Start/Stop switch will stop or start the stopwatch counters. The colon will remain "ON" in the Split Time mode if the stopwatch is not counting. The Split indicator (refer to *Figure 5*) will be "ON" during the Split Time mode. Depressing the Set switch while the watch is in the Split Time mode will return the accumulated time in the stopwatch to the display and the Split indicator will turn "OFF."

Depressing the Set switch while the stopwatch is not running and is not in the Split Time mode will clear the stopwatch counters to a zero count. Depressing the Mode switch while the stopwatch mode is active will transfer the watch to the normal watch mode. This transfer will not affect the stopwatch function and the stopwatch will continue performing the same function until the stopwatch mode is again activated with the mode switch.

**Setting Control:** A normally open switch connected to the Cycle input is used in conjunction with the Set/Display input to set the MONTH, DATE, DAY-OF-THE-WEEK, HOUR, MINUTE and synchronize the SECOND information.

**HOUR:** With the watch in the watch mode depressing the Cycle switch will put the watch in the Set Hour mode. The HOUR information will be in digit positions 1 and 2 with either an A or a P in digit position 4 indicating AM or PM. While in this mode, depressing the Set/Display switch will cause the HOUR counter to advance at a 1 Hz rate until the switch is released.

**MINUTE:** Depressing the Cycle switch while the watch is in the Set Hour mode will put the watch in the Set Minute mode with the MINUTE information displayed in digit positions 3 and 4. Depressing the Set/Display switch will advance the MINUTE counter at a 1 Hz rate and activate the Hold mode.

**DAY-OF-THE-WEEK:** Depressing the Cycle switch while the watch is in the Set Minute mode will place it in the Set Day mode with the DAY-OF-THE-WEEK displayed. Depressing the Set/Display switch will change the DAY-OF-THE-WEEK at a 1 Hz rate until the switch is released.

**DATE:** Depressing the Cycle switch while the watch is in the Set Day mode will advance it to the Set Date mode with the DATE (day of the month) displayed in digit positions 5 and 6. Depressing the Set/Display switch while the watch is in the Set Date mode will advance the DATE at a 1 Hz rate until the switch is released.

**Month:** Depressing the Cycle switch while the watch is in the Set Date mode will advance it to the Set Month mode with the Month displayed in digit positions 5 and 6 and the Month indicator "ON." Depressing the Set/Display switch while in this mode will advance the Month counter at a 1 Hz rate until the switch is released.

Depressing the Cycle switch while the watch is in the Set Month Mode will place the watch in the normal display mode with HOUR, MINUTE, DATE, and DAY-OF-THE-WEEK information displayed.

**Hold:** If the Hold mode was activated while in the Set Minute mode the colon will not blink in the normal time display but remain on continuously. The SECOND counter is held at 00, forcing the watch to remain at the displayed time. Depressing the Set/Display switch will switch the watch to the alternate time display mode (HOUR, MINUTE, SECOND, and DAY-OF-THE-WEEK) and release the SECOND counter allowing normal operation to begin. While in any of the Set modes, advancing the selected counter will not cause a roll-over of higher state counters. For example, advancing the HOUR counter from 11 PM to 12 AM will not cause the DATE or DAY-OF-THE-WEEK counters to advance.

A control state diagram for the MM5890 is provided in *Figure 7*.

**Contact Bounce:** Debounce circuitry is provided on the Set/Display, Cycle, Start/Stop, and Mode inputs to remove any logic uncertainty upon either closure or release of switches provided switch bounce settles within 120 ms (Set/Display release bounce must settle within 60 ms.)

**12/24 Hour Option:** 12/24 hour operation is controlled by the logical state of the 12 HR pad. Connecting the 12 HR pad to a logical "1" will cause the watch to operate in the 12 hour mode while connecting the 12 HR pad to a logical "0" will cause the watch to operate in the 24 hour mode.

**functional description** (Continued)

**Segment Outputs:** The Segment outputs are designed to drive field-effect liquid crystal displays. Each display segment has its own output which supplies the proper 32 Hz drive signal. By definition, the segment is "OFF" when its drive signal is in phase with the Back Plane drive signal (BP/32 Hz) and the segment is "ON" when the drive signal is 180° out of phase with the Back Plane drive signal (refer to Figure 8).

**BP/32 Hz:** This input/output pad is under control of the Test input. When Test is open or at a logical "0," a 32 Hz signal is provided at BP/32 Hz which is used to drive the backplane of the LCD unit or to monitor the oscillator frequency. If Test is at a logical "1," the BP/32 Hz pad is converted into an input and any frequency connected to it will replace the normal internal 32 Hz signal. This feature allows high speed testing of all timekeeping and stopwatch counters.

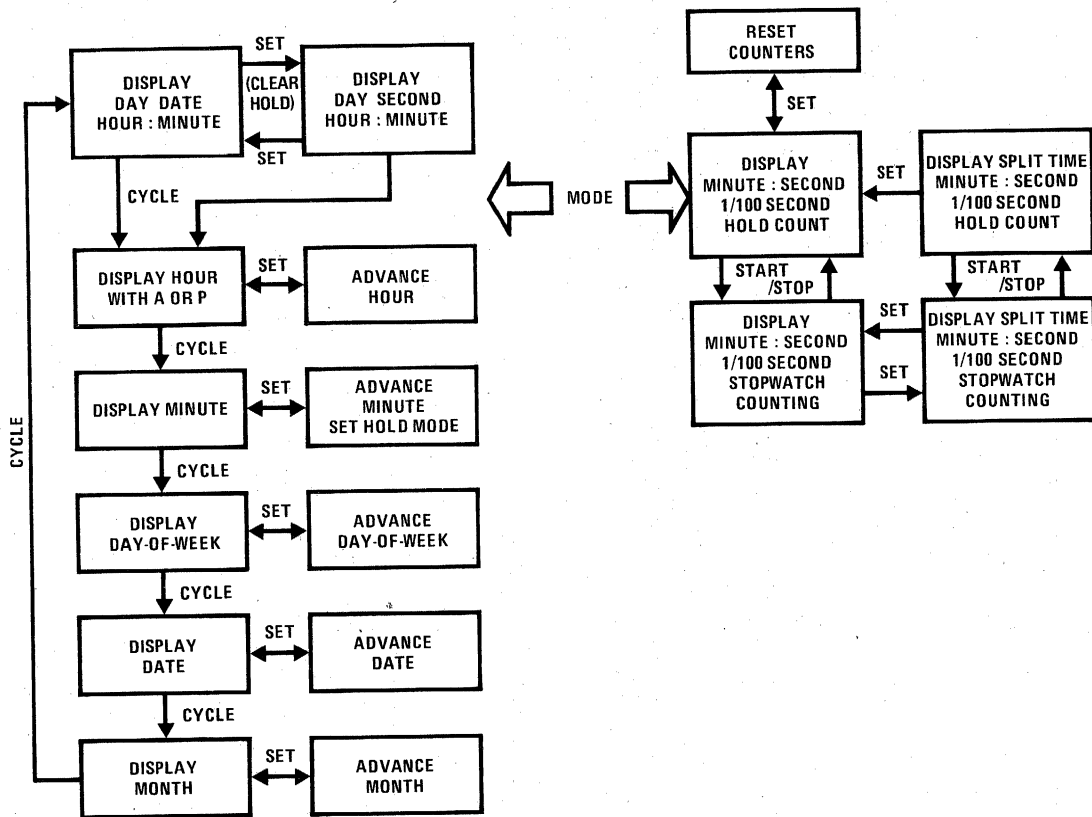


FIGURE 7. Control State Diagram

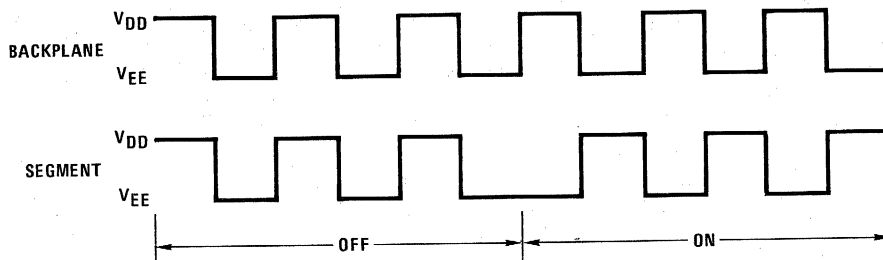


FIGURE 8. Phase Drive Signals

## functional description (Continued)

**Test:** This input is used to control the BP/32 Hz pad as described above. When Test is at a logical "1" the phase-control is disconnected from the segment drive outputs and the segment information is referenced to a logical "0" backplane. Switching the Test input from a logical "0" to a logical "1" generates a reset pulse that will reset the counters to Sunday, 1 AM on January the first. All stopwatch counters will be set to 00 and the watch will be placed in the normal time display mode.

**SW Disable:** This input is used to control accessibility to the stopwatch functions. If SW Disable is at a logical "0" the Mode switch can be used to activate the stopwatch functions. If SW Disable is at a logical "1" the Mode switch is inoperative and the stopwatch functions are locked out.

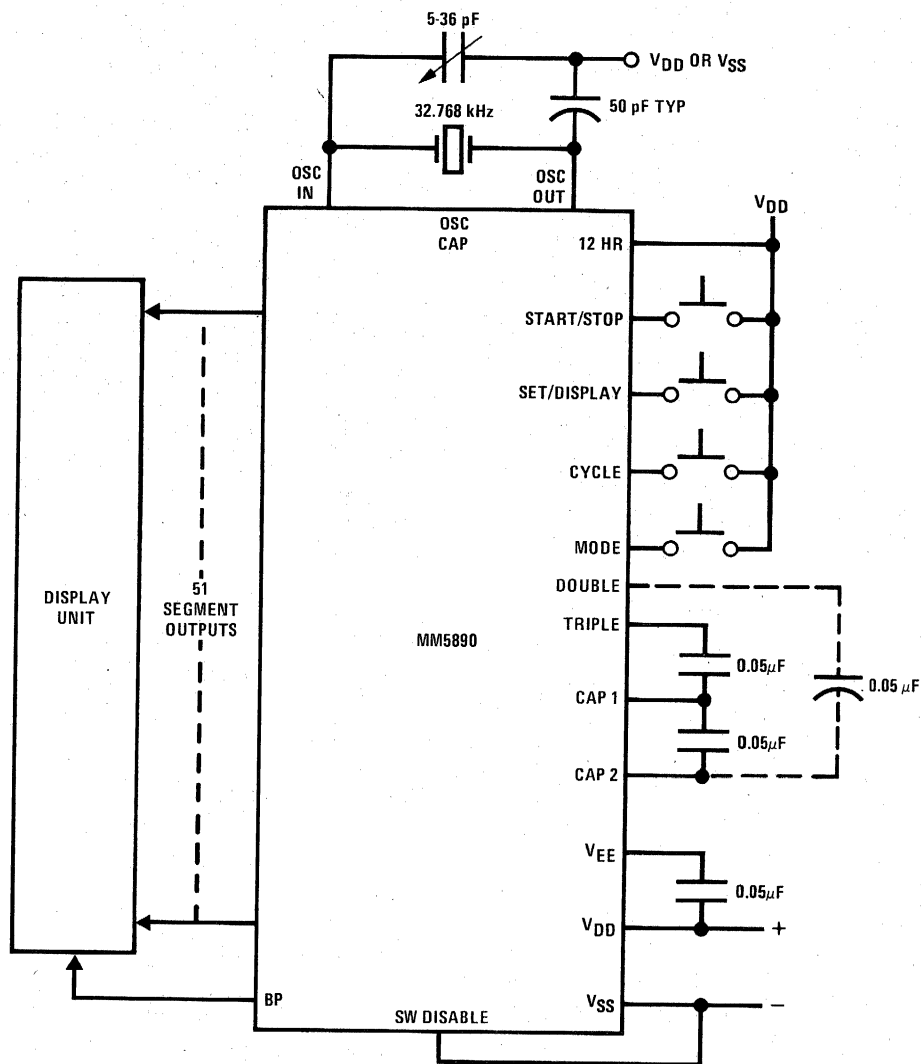


FIGURE 9. Typical Application



### MM58104 direct drive LED watch general description

The MM58104 is a low threshold voltage, ion-implanted, metal-gate CMOS integrated circuit that provides or controls all signals needed for a 3 1/2 digit 3-function or a 4-digit 4-function LED watch. The display format is 12 hours. The circuit time base is a 32,768 Hz crystal controlled oscillator. This time base frequency is successively divided to provide drive signals for a multiplexed 7-segment LED display. Upon demand MM58104 will display HOURS-MINUTES or SECONDS when it is used as a 3-function watch and will also display DATE when it is used as a 4-function watch. The outputs will directly drive a 7-segment LED display. The device operates from a single 2.4V to 4.0V supply. The MM58104 is available as unpackaged die suitable for hybrid assembly or in 40-lead dual-in-line packages for evaluation purposes.

### features

- 32,768 Hz crystal control oscillator
- Single 3V supply
- Low power dissipation (15μW typical)
- 3 1/2 digit (3-function) or 4-digit (4-function) option
- 12 hour display format
- Simple display/set controls
- Direct drive outputs for LED's
- Display brightness control
- On-chip oscillator bias network

### functional description

A block diagram of the MM58104 digital watch chip is shown in *Figure 1*. A chip pad layout is shown in *Figure 2* and package connection diagram in *Figure 3*.

### block diagram

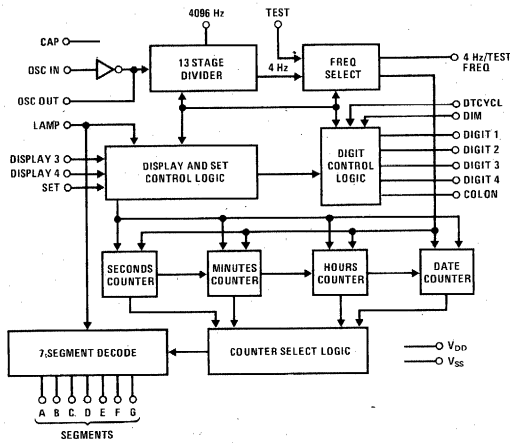


FIGURE 1.

### chip pad layout

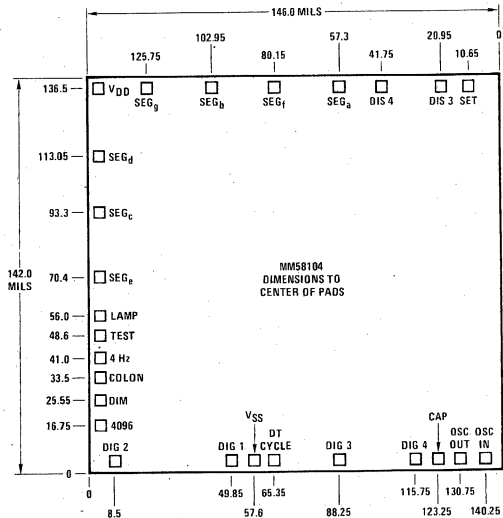


FIGURE 2.

### connection diagram (Top View)

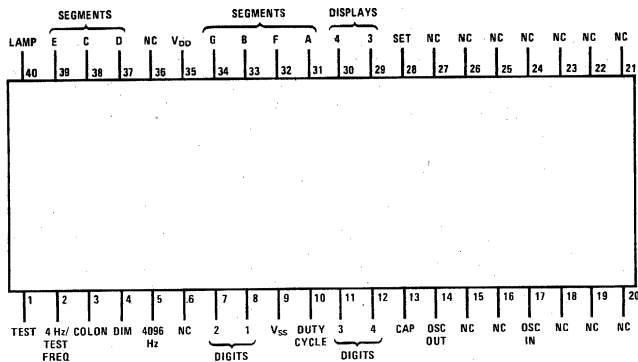


FIGURE 3.





## absolute maximum ratings

|  |                                    |
|--|------------------------------------|
| Voltage at Any Pin                       | $V_{SS} - 0.3V$ to $V_{DD} + 0.3V$ |
| Operating Temperature Range              | $-5^{\circ}C$ to $+70^{\circ}C$    |
| Storage Temperature Range                | $-25^{\circ}C$ to $+85^{\circ}C$   |
| $V_{DD} - V_{SS}$                        | 5V max                             |
| Lead Temperature (Soldering, 10 seconds) | $300^{\circ}C$                     |

## electrical characteristics

$T_A$  within operating temperature range,  $V_{SS} = GND$ ,  $2.4 \leq V_{DD} \leq 4.0V$ , unless otherwise noted.

| PARAMETER   | CONDITIONS   | MIN             | TYP  | MAX             | UNITS   |
|---|--|-----------------|------|-----------------|---------|
| Oscillator Start Voltage                            | $T_A = 25^{\circ}C$  | 2.7             |      |                 | V       |
| Input Voltage Levels @ Display 3,<br>Display 4, Set | $V_{DD} = 3.0V$  |                 |      |                 |         |
| Logical "1"   |  | $1/2 V_{DD}$    |      | $V_{DD}$        | V       |
| Logical "0"   | 300 k $\Omega$ Internal Pull-Down to $V_{SS}$  |                 | Open |                 |         |
| Input Voltage Levels @ 4 Hz/<br>Test Freq, Dtcycl   | $V_{DD} = 3.0V$  |                 |      |                 |         |
| Logical "1"   |  | $V_{DD} - 0.25$ |      | $V_{DD}$        | V       |
| Logical "0"   |  | $V_{SS}$        |      | $V_{SS} + 0.25$ | V       |
| Input Voltage Levels @ Lamp, Test                   | $V_{DD} = 3.0V$  |                 |      |                 |         |
| Logical "1"   | 1 M $\Omega$ Internal Pull-Up to $V_{DD}$  |                 | Open |                 |         |
| Logical "0"   |  | $V_{SS}$        |      | $V_{SS} + 0.25$ | V       |
| Input Current @ Display 3, Display 4, Set           | $V_{IN} = V_{DD}$ , Sink Only, $V_{DD} = 3.0V$   |                 | 30   | 50              | $\mu A$ |
| Input Current @ Lamp and Test                       | $V_{IN} = V_{SS}$ , Source Only, $V_{DD} = 3.0V$   |                 | 30   | 50              | $\mu A$ |
| Output Current Levels @ Segment Drivers             | $V_{DD} = 2.7V$  |                 |      |                 |         |
| "ON" Source   | $V_{OUT} = V_{DD} - 0.5V$  | 7               | 10   | 15              | mA      |
| "OFF"   | $V_{OUT} = V_{SS} + 1.1V$  |                 |      | 50              | $\mu A$ |
| Output Current Levels @ Digit Drivers               | $V_{DD} = 2.7V$  |                 |      |                 |         |
| "ON" Sink   | $V_{OUT} = V_{SS} + 0.6V$  | 50              | 70   |                 | mA      |
| "OFF"   | $V_{OUT} = 2.0V$ , All Digit Drivers<br>Tied in Parallel   |                 |      | 2               | $\mu A$ |
| Output Current Level @ COLON                        | $V_{DD} = 2.7V$  |                 |      |                 |         |
| "ON" Sink   | $V_{OUT} = V_{SS} + 0.7V$  |                 | 6    |                 | mA      |
| "OFF"   | $V_{OUT} = V_{DD} - 1.6V$  |                 |      | 0.5             | $\mu A$ |
| Output Current Levels @ 4096 Hz,<br>4 Hz/Test Freq. | $V_{DD} = 3.0V$  |                 |      |                 |         |
| Logical "1," Source                                 | $V_{OUT} = V_{DD} - 0.5V$  | 10              |      |                 | $\mu A$ |
| Logical "0," Sink                                   | $V_{OUT} = V_{SS} + 0.5V$  | 10              |      |                 | $\mu A$ |
| Supply Current ( $I_{DD}$ )                         | $f = 32,768$ Hz, $T_A = 25^{\circ}C$ ,<br>$V_{DD} = 3.0V$ , Unused Inputs Open,<br>Outputs Open                  |                 | 5    | 10              | $\mu A$ |
| Supply Current ( $I_{DD}$ )                         | $T_A = 25^{\circ}C$ , $V_{SS}$ , OSC IN & Dtcycl @ GND,<br>$V_{DD} = 3.0V$ , Unused Inputs Open,<br>Outputs Open |                 | 0.05 | 1               | $\mu A$ |
| Input Capacitance                                   | $f = 1.0$ MHz  |                 |      |                 |         |
| OSC OUT   | $V_{IN} = 0.0V$  |                 | 8    |                 | pF      |
| CAP   | All Other Pads GND   |                 | 37   |                 | pF      |
| All Others  |  |                 |      | 5               | pF      |
| Input Voltage Level @ DIM                           | $V_{DD} = 3.0V$  |                 |      |                 |         |
| Positive-Going Threshold ( $V_{T+}$ )               |  |                 | 1.5  |                 | V       |
| Negative-Going Threshold ( $V_{T-}$ )               |  |                 | 1.0  |                 | V       |
| $V_{T+} - V_{T-}$ Hysteresis                        |  |                 | 0.5  |                 | V       |
| Input Current @ DIM                                 | $V_{IN} = V_{SS}$ , $V_{DD} = 3.0V$ , Source Only  |                 |      | 0.3             | $\mu A$ |

## functional description (con't)

**Time Base:** The precision time base of the watch is provided by the interconnection of a 32,768 Hz quartz crystal and the RC network shown in *Figure 4* together with the CMOS inverter/amplifier provided between the oscillator in and oscillator out terminals. Resistor R1 is necessary to bias the inverter for class A amplifier operation. Resistor R2 is required in order to (a) reduce the voltage sensitivity of the network; (b) limit the power dissipation in the quartz crystal; and (c) provide added phase shift for good start-up and low voltage circuit performance. Capacitors C1, C2 and C3 provide the parallel load capacitance required for precise tuning of the quartz crystal. The RC network except the trim capacitor C3 is integrated on-chip.

The network shown provides  $> 100$  ppm tuning range when used with standard X-Y flexure quartz crystals trimmed for  $C_L = 12$  pF. Tuning to better than  $\pm 2$  ppm is easily obtainable.

The 4096 Hz output or 4 Hz output can be used to monitor the oscillator frequency during initial tuning without disturbing the network itself.

**Display Multiplexing:** Outputs from each counter are time-division multiplexed to provide digit-sequential access to the time data. Thus, instead of requiring 28 leads to interconnect a four digit (7 segments/digit) watch, only 11 output leads are required. The character display font and segment identification is shown in *Figure 5*. *Figure 6* shows the interconnection of a LED watch system. The 4-digit outputs, colon output and the

7-segment outputs of the MM58104 are designed to interface directly with the NSC0101 LED display. The four digits of the LED display are multiplexed with a 25% duty cycle, 1024 Hz signal during Display. The digit drivers are turned off by the internally generated inter-digit blanking signal during the change of digits to allow the segments to change without "ghosting" of the Display. When MM58104 is used as shown in the typical application of *Figure 6*, the segment on currents are typically 9 mA. The NSC0101 LED Display gives excellent brightness under these drive conditions.

The switch inputs "Display 3" and "Display 4" of the MM58104 are to be used for 3 and 4-function LED watches, respectively. However, "Display 3" can be connected to an inertial switch for HOURS-MINUTES Display in a 4-function watch. In subsequent paragraphs, the term "Display" will take the place of "Display 3" and/or "Display 4," unless otherwise specified.

**Time Display:** The DATE and HOUR-MINUTES/SECONDS displays are controlled by a normally open switch connected to "Display" input as shown in *Figure 6*. DATE or HOUR is displayed in digit positions 1 and 2. MINUTE or SECOND is displayed in digit positions 3 and 4. Colon output will be "ON" except when the Display involves DATE. The two colon dots are to be connected in parallel with their anodes to  $V_{DD}$  and cathodes to the "COLON" output.

Closure of the "Display" switch will cause HOUR-MINUTES to be displayed for  $1.25 \pm 0.125$  seconds.

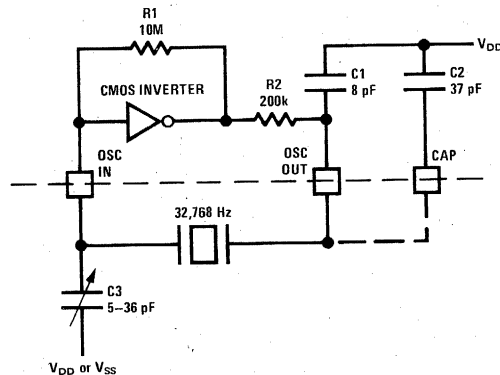


FIGURE 4. Crystal Oscillator Network

## functional description (con't)

Holding the "Display" switch closed after the time-out of HOUR-MINUTES display will cause SECONDS to be displayed until the "Display" switch is open. SECONDS will blink while displayed. Each value is visible for 0.25 second and blank for 0.75 second. HOURS digits can display values 1-12 with an AM indicator, which is the F segment of digit 1. Leading zero values of hours are blanked. MINUTES or SECONDS digits can display values from 00 to 59. All zero values of minutes or seconds are displayed.

Closure of the "Display 4" switch twice before the time-out of HOURS-MINUTES display will cause DATE to be displayed for  $1.25 \pm 0.125$  seconds. Holding the "Display" switch closed will continue DATE display until the switch is open. Date digits can display values from 1 to 31. Leading zero values of Date are blanked.

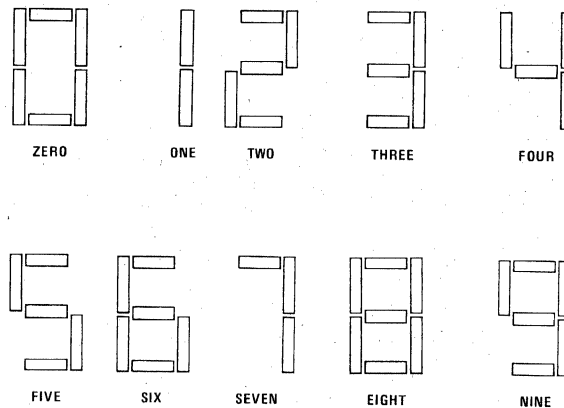
**Time Setting:** A normally open switch connected to the "Set" input is used in conjunction with the "Display" switch to set date, hours, minutes and synchronize seconds.

**DATE:** Closure of the "Display 4" switch twice and holding it closed will cause DATE to be displayed

continuously. Closure of the "Set" switch will then advance DATE at a 2 Hz rate until the "Set" or both switches are opened. Seconds, Minutes and Hours counters continue normal counting during this condition.

**HOURS:** Closure of the "Set" switch will cause HOURS-MINUTES to be displayed and will advance HOURS at a 2 Hz rate until the "Set" switch is opened. Seconds and Minutes counters continue normal counting during this condition.

**MINUTES:** Closure of both "Display" and "Set" switches will cause HOURS-MINUTES to be displayed and will advance MINUTES at a 2 Hz rate after both switches have been closed for 0.75 to 1.0 seconds. When the minutes count is correct, opening the "Set" switch while keeping the "Display" switch closed will cause HOURS-MINUTES to be displayed and Hold the watch. HOURS-MINUTES will blink while displayed, visible for 0.25 second and blank for 0.75 second. The seconds counter is reset and held at 00 during Minutes setting or during the Hold Mode. All counters resume their normal counting when both "Set" and "Display" switches are opened. With the "Display" switch closed,



SEGMENT IDENTIFICATION

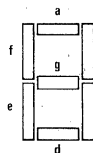


FIGURE 5. Character Display Font

functional description (con't)

a closure of the "Set" switch for less than 0.75 second will reset the seconds counter to 00 without advancing the minutes.

There is no roll-over of the higher counters while the lower time counters are being set. For example, while setting Minutes a 59 to 00 transition will not advance the Hours counter.

**Contact Bounce:** Debounce circuitry is provided on the "Display" and "Set" inputs to remove any logic uncertainty upon either closure or release of switches provided switch bounce settles within 20 ms.

**Display Brightness Control:** The display brightness is a function of digit on-time which is a fraction of the digit multiplexers. The digit on-time varies from 1/8 to 7/8 of the digit multiplexer in steps depending on the logical levels of both "DIM" and "DTCYCL" inputs as shown in Table I. The "DIM" input has an internal pull-up resistor which will hold the open input to a logical "1." The logical levels at the "DIM" input can be established by a network as shown in Figure 6.

**Test Points:** Four pads are provided for test purposes.

**4096 Hz:** is an output. A 4096 Hz symmetrical signal is brought out for oscillator tuning.

**4 Hz/TEST FREQ:** is an input/output under the control of "TEST." When "TEST" is open or at a logical "1," a 4 Hz signal will appear on the "4 Hz/TEST FREQ pad." If "TEST" is at a logical "0," the "4 Hz/TEST FREQ pad" becomes an input and any frequency connected to it will replace the normal internal 4 Hz signal. This feature is provided to allow high speed functional testing of the watch system.

**TEST:** is an input. It is used to control "4 Hz/TEST FREQ" as described above. An internal pull-up resistor will normally hold the "TEST" input to a logical "1."

**LAMP:** is an input. When "LAMP" is at logical "0," all segments will be forced to an "ON" condition under control of the normal 25% duty cycle of the digit drivers. An internal pull-up resistor will normally hold the "LAMP" input to a logical "1."

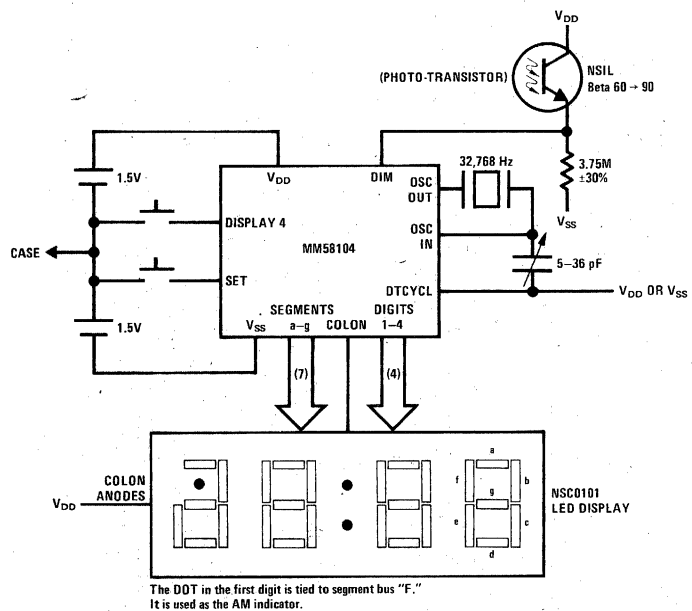


FIGURE 6. Typical Application of MM58104 in LED Digital Watch System

TABLE I. Display Brightness Control

| DTCYCL | DIM | DIGIT ON-TIME<br>(Fraction of Digit Multiplexer) |
|--------|-----|--|
| 1      | 1   | 7/8  |
| 1      | 0   | 2/8  |
| 0      | 1   | 4/8  |
| 0      | 0   | 1/8  |



## MM58115 digitally tuned direct drive 6-function LED watch

### general description

The MM58115 is a low threshold voltage, ion-implanted, metal-gate CMOS integrated circuit that provides or controls all signals needed for a 4-digit, 6-function LED watch. The display format is 12 hours. The circuit time base is a 32,768 Hz crystal controlled oscillator. This time base frequency is successively divided to provide drive signals for a multiplexed 9-segment, alphanumeric LED display of HOURS-MINUTES, DAY-DATE, MONTH-DATE or SECONDS upon demand. A month counter is provided to control the count sequence of the Date counter. Inputs are also provided to digitally tune the time base (i.e., no tuner capacitor is required). The MM58115 uses one button for display purposes. Both segment and digit outputs can be directly interfaced with 100 mil LED displays of the NSC9101 type. Special circuitry is included to provide uniform digit-to-digit brightness. The device operates from a single 2.4V to 4V supply. The MM58115 is available as unpackaged die suitable for hybrid assembly or in a 40-lead dual-in-line package for evaluation purposes.

### features

- No external parts except the battery, LED display and crystal
- Single button display control
- Direct drive outputs
- Digital tune network
- Uniform display brightness
- 32,768 Hz crystal controlled operation
- Single 3V supply
- Low power dissipation (10 $\mu$ W typ)
- Seconds, Minutes, Hours, Day-of-Week, Date and Month operation
- 4 year calendar
- 4-digit, 6-function, 12-hour display format
- Simple display/set controls
- Alphanumeric display
- Display brightness control
- AM/PM indication during set hours
- Month indication during set month
- Test features

### block diagram

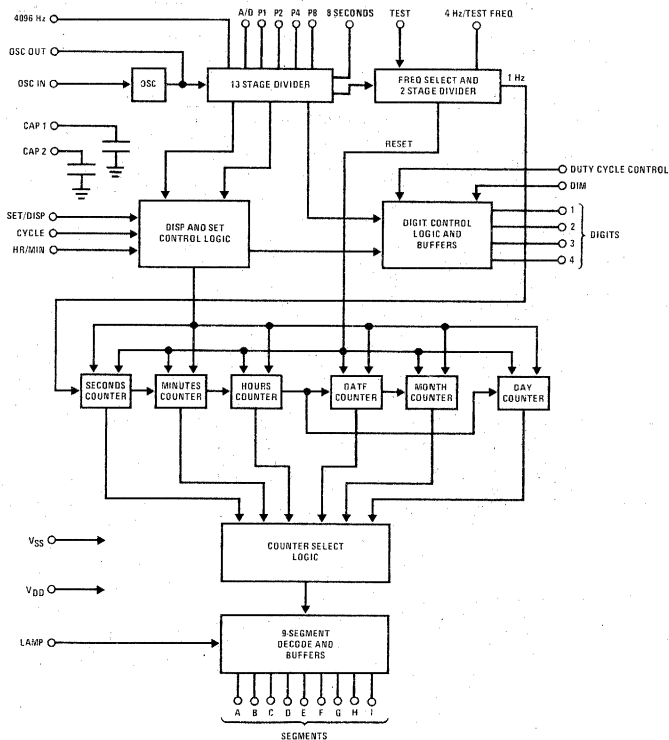


FIGURE 1.

**absolute maximum ratings**

|  |                                    |
|--|------------------------------------|
| Voltage at Any Pin                       | $V_{SS} - 0.3V$ to $V_{DD} + 0.3V$ |
| Operating Temperature Range              | $-5^{\circ}C$ to $+70^{\circ}C$    |
| Storage Temperature Range                | $-25^{\circ}C$ to $+85^{\circ}C$   |
| $V_{DD} - V_{SS}$                        | 5V max                             |
| Lead Temperature (Soldering, 10 seconds) | $300^{\circ}C$                     |

**electrical characteristics**

$T_A$  within operating temperature range,  $V_{SS} = \text{Gnd}$ ,  $2.4 \leq V_{DD} \leq 4V$  unless otherwise noted.

| PARAMETER   | CONDITIONS  | MIN            | TYP      | MAX           | UNITS   |
|---|---|----------------|----------|---------------|---------|
| Oscillator Start Voltage                                | $T_A = 25^{\circ}C$   | 2.7            |          |               | V       |
| Input Voltage Levels at Cycle,<br>Set/Display, Hour/Min |   |                |          |               |         |
| Logical "1"   | 100 k $\Omega$ Internal Pull-Down<br>to $V_{SS}$            | $1/2V_{DD}$    | Open     | $V_{DD}$      | V       |
| Logical "0"   |   |                |          |               |         |
| Input Voltage Levels at 4 Hz/<br>Test Frequency         |   |                |          |               |         |
| Logical "1"   |   | $V_{DD}-0.25$  |          | $V_{DD}$      | V       |
| Logical "0"   |   | $V_{SS}$       |          | $V_{SS}+0.25$ | V       |
| Input Voltage Levels at Lamp, Test                      |   |                |          |               |         |
| Logical "1"   | 100 k $\Omega$ Internal Pull-Up to $V_{DD}$                 |                | Open     |               |         |
| Logical "0"   |   | $V_{SS}$       |          | $V_{SS}+0.25$ | V       |
| Input Voltage Levels at Duty Cycle                      |   |                |          |               |         |
| Logical "1"   | No Pull-Up (Must Be Bonded)                                 |                | $V_{DD}$ |               | V       |
| Logical "0"   |   |                | $V_{SS}$ |               | V       |
| Input Voltage Levels at Dim                             | Duty Cycle = $V_{SS}$                                       |                |          |               |         |
| display duty cycle = 21.875%                            | 5 M $\Omega$ Pull-Down to $V_{SS}$                          | Open           |          | $V_{SS}+0.3$  | V       |
| display duty cycle = 9.375%                             |   | $V_{DD}-0.5$   |          | $V_{DD}$      | V       |
| Input Voltage Levels @ A/D, P1–P8                       | 10 M $\Omega$ Internal Pull-Down to<br>$V_{SS}$             |                |          |               |         |
| Logical "1"   |   | $V_{DD}-0.25V$ |          | $V_{DD}$      | V       |
| Logical "0"   |   |                | Open     |               |         |
| Input Current at Cycle, Set/Display,<br>Hour/Min        | $V_{DD} = 3V$ , $V_{IN} = V_{DD}$ ,<br>Sink Only            |                | 30       | 50            | $\mu A$ |
| Input Current at Lamp, Test                             | $V_{DD} = 3V$ , $V_{IN} = V_{SS}$ ,<br>Source Only          |                | 30       | 50            | $\mu A$ |
| Input Current @ A/D, P1, P2, P4, P8                     | $V_{DD} = 3V$ , $V_{IN} = V_{DD}$                           |                |          | 350           | nA      |
| Logical "1"   |   |                |          |               |         |
| Logical "0"   |   |                |          |               |         |
| Input Capacitance                                       | $f = 1 \text{ MHz}$ , $V_{IN} = 0V$ , All Other<br>Pads Gnd |                |          |               |         |
| Osc. Out  |   |                | 8        |               | pF      |
| CAP 1   |   |                | 37       |               | pF      |
| CAP 2   |   |                | 15       |               | pF      |
| All Others  |   |                |          | 5             | pF      |
| Output Current Levels at Segment Drivers                | $V_{DD} = 2.7V$   |                |          |               |         |
| "ON," Source  | $V_{OUT} = V_{DD} - 0.5V$                                   | 7              | 10       | 15            | mA      |
| "OFF," Leakage  | $V_{OUT} = V_{DD} - 1.1V$                                   |                |          | 50            | $\mu A$ |

electrical characteristics (Continued)

| PARAMETER  | CONDITIONS  | MIN | TYP  | MAX | UNITS   |
|--|---|-----|------|-----|---|
| Output Current Levels at Digit Drivers<br>"ON," Sink (6 or 7-segment display)<br>(5 or 4-segment display)<br>(1, 2 or 3-segment display)<br>"OFF," Leakage | $V_{DD} = 2.7V$<br>$V_{OUT} = V_{SS} + 0.6V$<br>If Colon is "ON," Add 2 mA<br>to Digit 4 Sink Current<br>$V_{OUT} = 2V$ , All Digit Drivers<br>Tied in Parallel | 50  | 70   | 2   | mA<br>60% of 6 or 7-segment current<br>46% of 6 or 7-segment current<br>$\mu A$ |
| Output Current Levels at 4 Hz/Test<br>Freq, 4096 Hz, 8 Sec.<br>Logical "1," Source<br>Logical "0," Sink  | $V_{OUT} = V_{DD} - 0.6V$<br>$V_{OUT} = V_{SS} + 0.6V$  | 10  |      |     | $\mu A$<br>$\mu A$  |
| Supply Current ( $I_{DD}$ )  | $T_A = 25^\circ C$ , $f = 32,768$ Hz,<br>Unused Inputs Open, Outputs<br>Open  |     | 3.5  | 7   | $\mu A$   |
| Supply Current ( $I_{DD}$ )  | $T_A = 25^\circ C$ , $V_{SS}$ , Osc. In, Duty<br>Cycle Control at Gnd, $V_{DD} = 3V$ ,<br>Unused Inputs Open, Outputs<br>Open                                   |     | 0.05 | 1.5 | $\mu A$   |

functional description

A block diagram of the MM58115 direct drive digital watch is shown in Figure 1. The chip pad layout is shown in Figure 2 and package connection diagram in Figure 3.

**Time Base:** The precision time base of the watch is provided by the 32,768 Hz crystal controlled oscillator, which consists of quartz crystal, a CMOS inverter/amplifier and the RC network shown in Figure 4. Resistor R1 biases the inverter for class A amplifier operation. Resistor R2 (a) reduces the voltage sensitivity of the network; (b) limits the power dissipation in the quartz crystal; and (c) provides added phase shift for good start-up and low voltage circuit performance. Capacitors C1 and C<sub>EFF</sub> in series provide the parallel

load capacitance required for precise tuning of the quartz crystal. The network shown in Figure 4 provides greater than 100 ppm tuning range when used with standard X-Y flexure quartz crystals trimmed for  $C_L = 12$  pF and a 5–36 pF trim capacitor. If digital tuning is used, the tuning range is  $\pm 114$  ppm and no trim capacitor is required.

**Cap 1:** This pin is used with Oscillator Out to add more capacitance to the oscillator RC network shown in Figure 4.

**Cap 2:** This pin is used with Oscillator In to form the RC network shown in Figure 4 if the digital tuning is to be used.

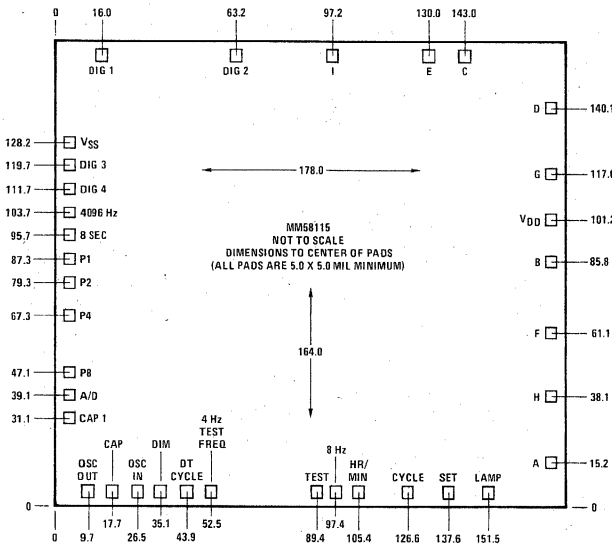


FIGURE 2. Pad Layout

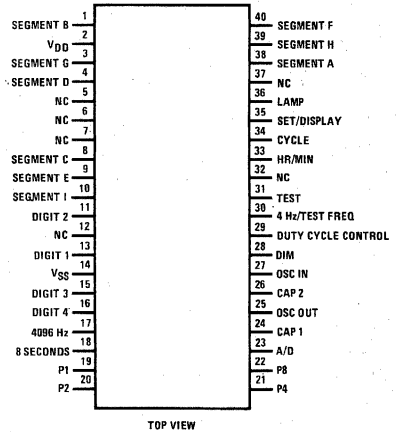


FIGURE 3. Connection Diagram

## functional description (Continued)

**Display Control:** The TIME and DATE display sequence is controlled by normally open switches connected to SET/DISPLAY, and HOUR/MINUTE (inertial switch) inputs. With the display "OFF," depressing the SET/DISPLAY switch will activate the HOUR-MINUTE display. This display will remain "ON" for 1.25 seconds  $\pm 0.125$  seconds. If the switch is still held in at the end of this time out, SECONDS will be displayed blinking "ON" for 0.25 seconds and "OFF" for 0.75 seconds until the SET/DISPLAY switch is released. If during the HOUR-MINUTE display, the SET/DISPLAY switch is released and depressed a second time, the date will be displayed as DAY-DATE. The DAY-DATE display will remain "ON" for 1.25 seconds  $\pm 0.125$  seconds and turn "OFF" automatically if the SET/DISPLAY switch has been released. Holding the SET/DISPLAY switch past the display time out will cause the watch to display MONTH-DATE information until the SET/DISPLAY switch is released or until the SET/DISPLAY switch has been depressed longer than 2.0 seconds  $\pm 0.125$  seconds. If held longer than 2 seconds, the MONTH-DATE display will return to DAY-DATE display. MONTH-DATE and DAY-DATE display will continue to alternate until the SET/DISPLAY switch is released. DAY-DATE will be displayed for 1.25 seconds and MONTH-DATE will be displayed for 0.75 seconds before the sequence starts to repeat. TIME may also be displayed in the MM58115 by activating the HOUR/MINUTE input. The HOUR/MINUTE input is used with an inertial switch that is normally open. Closing the switch activates the HOUR/MINUTE display. This display will remain "ON" for 1.25 seconds  $\pm 0.125$  seconds and then turn "OFF" automatically.

**Time Setting:** The setting sequence is controlled by a normally open switch connected to the Cycle Input. Depressing the CYCLE switch will advance the watch to the next set mode. Figure 5 is a flow diagram showing the display and set functions for the MM58115.

**Set Hour Mode:** With the watch in the normal Run mode and the display "OFF," depressing the CYCLE switch will put the watch into the Set Hour Mode. In this mode, HOURS will be displayed in digit positions 1 and 2 followed by the colon. An A or a P will be displayed in digit position 4 to indicate AM or PM, respectively. Depressing the SET/DISPLAY switch will advance the HOURS counter at a 2 Hz rate. If neither the SET/DISPLAY switch nor the CYCLE switch are

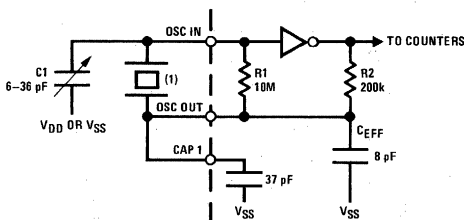
depressed for 5.25 seconds  $\pm 0.125$  seconds, the watch will automatically return to the Run mode. Depressing the CYCLE switch while in the Set Hours mode will advance the watch to the Set Minutes mode.

**Set Minutes Mode:** The Set Minutes mode will display minutes in digit positions 3 and 4 preceded by the colon. Depressing the SET/DISPLAY switch while still holding in the CYCLE switch will enable the hold flag but will not allow advancement of the MINUTE counter. Depressing the SET/DISPLAY switch after the CYCLE switch has been released resets and holds the SECOND counter, enables the hold flag, and advances the MINUTE counter at a 2 Hz rate. If neither switch is depressed for 5.25 seconds  $\pm 0.125$  seconds while the watch is in the Set Minutes mode, the watch will automatically return to the Run mode if minutes have not been set. Depressing the CYCLE switch while in Set Minutes mode will advance the watch to the Set Day Mode.

**Set Day Mode:** The Set Day mode will display DAY-OF-THE-WEEK in digit positions 1 and 2. Depressing the SET/DISPLAY switch while in the Set Day mode will advance the DAY counter at a 2 Hz rate. If neither switch has been depressed for 5.25 seconds  $\pm 0.125$  seconds while in the Set Day mode, the watch will automatically return to the Run mode if the hold flag was not set or will jump to the Hold mode if the hold flag was set. Depressing the CYCLE switch while in the Set Day mode will advance the watch to the Set Date mode.

**Set Date Mode:** The Set Date mode will display DATE in digit positions 3 and 4. Depressing the SET/DISPLAY switch while in the Set Date mode will advance the DATE counter at a 2 Hz rate. If neither the SET/DISPLAY nor the CYCLE switches have been depressed for 5.25 seconds  $\pm 0.125$  seconds while in the Set Date mode, the watch will automatically return to the Run Mode if the hold flag was not set. Depressing the CYCLE switch while in the Set Date mode will advance the watch to the Set Month mode.

**Set Month Mode:** The Set Month mode will display MONTH in digit positions 3 and 4 and an M in digit position 1. Depressing the SET/DISPLAY switch while in the Set Month mode will advance the MONTH counter at a 2 Hz rate. If neither the SET/DISPLAY nor the cycle switches have been depressed for 5.25 seconds  $\pm 0.125$  seconds while in the Set Month mode, the watch



Note 1. 32,768 Hz anti-resonant quartz crystal,  $C_L = 12$  pF

FIGURE 4(a). Oscillator RC Network

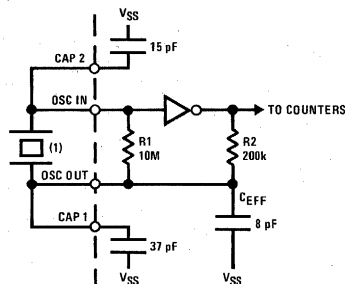


FIGURE 4(b). Oscillator RC Network If Digital Tuning is Used.



**functional description** (Continued)

will automatically return to the Run mode if the hold flag was not set, or will advance to the Hold mode if the hold flag was set. Depressing the Cycle switch while in the Set Month mode will advance the watch to the Hold mode if the hold flag was set; otherwise, the watch will advance to the Run mode.

**Hold Mode:** In the Hold mode the SECOND counter is held at 00, and the HOUR-MINUTE display will blink "ON" for 0.25 seconds and "OFF" for 0.75 seconds. Depressing the SET/DISPLAY switch will place the watch in the display HOUR/MINUTE mode for 1.25 seconds  $\pm$  0.125 seconds. Depressing the Cycle switch while in the Hold mode will advance the watch to the Set Hour mode. There is no roll-over of the next higher counter while a counter is being set at a 2 Hz rate.

**Month Counter:** The MONTH counter provides "smart Date." The DATE counter will count 28 days in February, 30 in April, June, September and November, and 31 in the remaining months.

**Contact Bounce:** Debounce circuitry is provided on the SET/DISPLAY, CYCLE, and HOUR/MINUTE inputs to remove any logic uncertainty upon either closure or release of the switches. 100 ms debounce protection is provided for SET/DISPLAY and CYCLE inputs and 200 ms protection is provided for the HOUR/MINUTE input.

**Display Multiplexing:** The counter data selected to be displayed is time-division multiplexed to provide digit-sequential presentation to the LED display. This reduces the number of outputs required to drive the 4-digit display to thirteen (9-segment drivers and 4-digit drivers). The display font is shown in Figure 6. Figure 8 is a schematic diagram of a typical LED watch using the MM58115 watch chip. The segment and digit drivers are designed to interface directly with the LED display. The four digits of the LED display are multiplexed with a 23% duty cycle, 1024 Hz signal during the display period. The digit drivers are disabled for 32 $\mu$ s at the beginning of each digit enable time to allow the segment

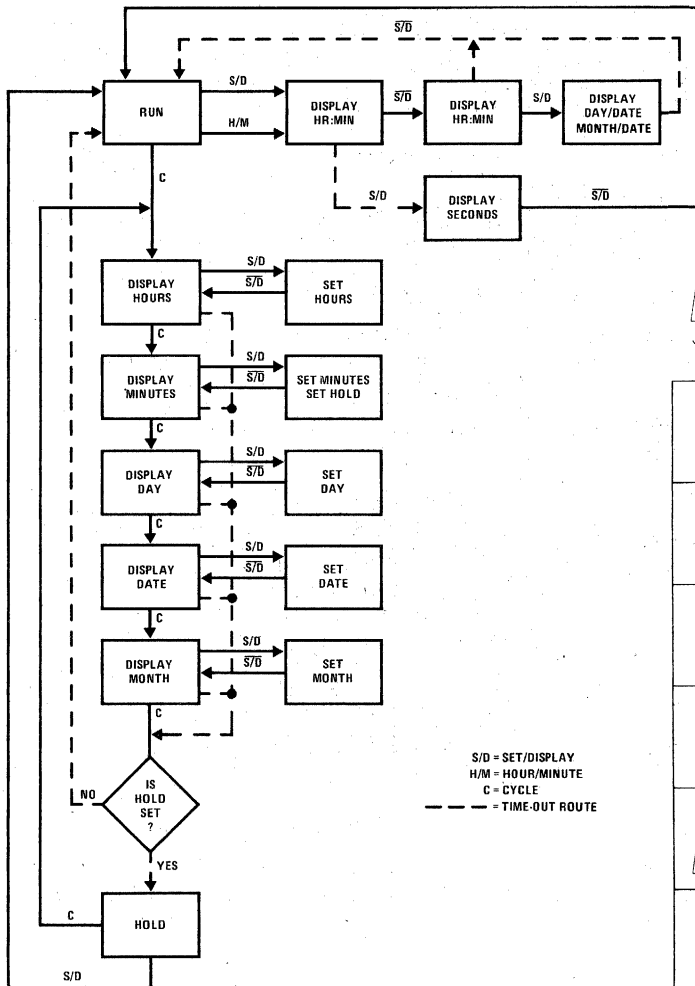


FIGURE 5(a). MM58115 Flow Diagram

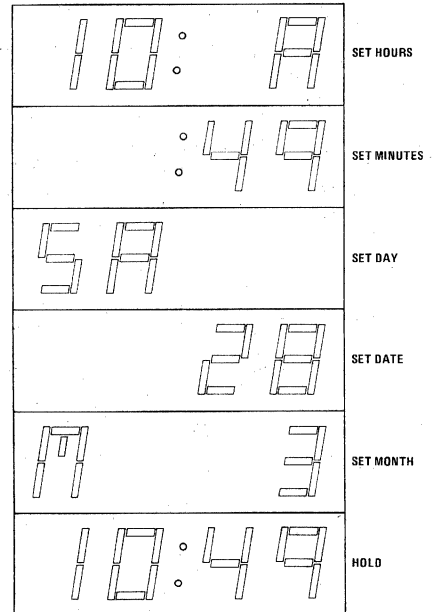
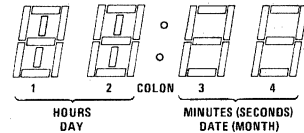


FIGURE 5(b). Set Display Font

## functional description (Continued)

decoding circuitry adequate time to switch to the next digit's information. This eliminates the possibility of "ghosting" information between digits.

**Colon Output:** Colon information is present on the "h" and "i" segment outputs during digit position 4.

**Dim Input:** The Dim Input is a 2-level input. This input has a pull-down to  $V_{SS}$  to hold it normally at a logical "0." In this condition with Duty Cycle Control at  $V_{SS}$  the display will normally be at maximum intensity. With the Dim input at  $V_{DD}$ , the display will be at 3/7 of the full intensity. If the Dim input is at  $V_{DD}$  and the Duty Cycle Control input is at  $V_{SS}$ ; maximum intensity will be 3/7 of full intensity. With the Dim input at  $V_{DD}$ , the display intensity will be reduced to 1/7 of full intensity. *Figure 7* shows the switching threshold ranges for the Dim Input.

**Duty Cycle Control:** The Duty Cycle Control Input is used with the Dim Input to determine the intensity of display. The duty cycle range is shown in *Figure 7*.

**Digital Tuning:** To digitally tune the time base, A/D, P1, P2, P4 and P8 inputs are used. A/D input either adds or deletes pulses into the counter chain. P1, P2, P4 and P8 inputs determine the number of pulses to be added or deleted from the counter chain in a specific time period. Each pulse added or deleted "tunes" the time base by 7.6 ppm. An 8-second output pad is provided to easily check the time base frequency. When A/D is open (internal pull-down to  $V_{SS}$ ) or at  $V_{SS}$ , pulses are deleted. If A/D is tied to  $V_{DD}$ , pulses are added into the counter chain. P1, P2, P4 and P8 inputs have internal pull-downs to  $V_{SS}$ , which is a logical "0." When these inputs are tied to  $V_{DD}$ , they are at a logical "1." Table I shows the tuning range for each input code. If the Digital Tuning scheme is not used, leave all inputs open.

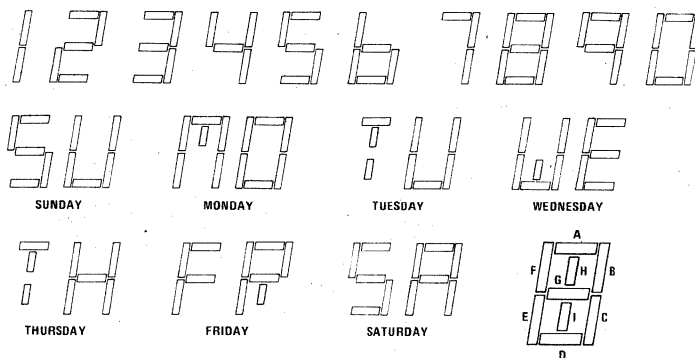
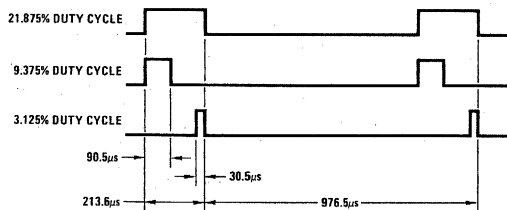


FIGURE 6. Display Font



| DUTY CYCLE CONTROL | DIM INPUT         | DISPLAY TIME/DIGIT | DISPLAY CONDITION  |
|--------------------|-------------------|--------------------|--------------------|
| $V_{SS}$           | $> V_{DD} - 0.5V$ | 9.375%             | Low Ambient Light  |
|                    | $< V_{SS} + 0.3V$ | 21.875%            | High Ambient Light |
| $V_{DD}$           | $> V_{DD} - 0.5V$ | 3.125%             | Low Ambient Light  |
|                    | $< V_{SS} + 0.3V$ | 9.375%             | High Ambient Light |

FIGURE 7. Dim Input Levels

**functional description** (Continued)

**Test Points:** Five pads are provided for test purposes.

**8 Seconds:** This output is used with A/D, P1, P2, P4 and P8 to digitally tune the time base frequency.

**4096 Hz:** This pad outputs a 4096 Hz signal that can be used for oscillator tuning.

**4 Hz/Test Frequency:** This is an input/output pad under the control of the Test input pad. When "Test" is at a logical "0," the 4 Hz/Test Freq pad becomes an input and any frequency connected to it will replace the normal internal 4 Hz signal. This feature is provided to allow high speed functional testing of the watch system. When "Test" is open or at a logical "1," a 4 Hz output will appear on the 4 Hz/Test Freq pad.

**Test:** This pad is used as an input to control the 4 Hz/Test Freq pad. An internal pull-up resistor will normally hold "Test" at a logical "1." Changing the Test input from a logical "1" to a logical "0" will generate a reset pulse which will set the internal counters to 1 AM on Sunday, January the first. The watch is now in a known state for testing.

**Lamp:** When the Lamp input is at a logical "0," all segments of the display will be forced to an "ON" condition under control of the normal 23% duty cycle of the digit drivers. An internal pull-up resistor will normally hold the Lamp input at a logical "1."

TABLE I. Digital Tuning Table

| P1 | P2 | P4 | P8 | $\Delta f$ (ppm) |
|----|----|----|----|------------------|
| 0  | 0  | 0  | 0  | 0                |
| 1  | 0  | 0  | 0  | 7.63             |
| 0  | 1  | 0  | 0  | 15.26            |
| 1  | 1  | 0  | 0  | 22.89            |
| 0  | 0  | 1  | 0  | 30.52            |
| 1  | 0  | 1  | 0  | 38.15            |
| 0  | 1  | 1  | 0  | 45.78            |
| 1  | 1  | 1  | 0  | 53.41            |
| 0  | 0  | 0  | 1  | 61.04            |
| 1  | 0  | 0  | 1  | 68.57            |
| 0  | 1  | 0  | 1  | 76.29            |
| 1  | 1  | 0  | 1  | 83.92            |
| 0  | 0  | 1  | 1  | 91.55            |
| 1  | 0  | 1  | 1  | 99.18            |
| 0  | 1  | 1  | 1  | 106.81           |
| 1  | 1  | 1  | 1  | 114.44           |

A/D is 1 to add to frequency  
 A/D is 0 to slow down frequency  
 Procedure: Monitor 4096 Hz output, determine frequency shift desired, bond A/D, P1, P2, P4, P8 to the correct code. 8 second pad will be at the correct frequency.

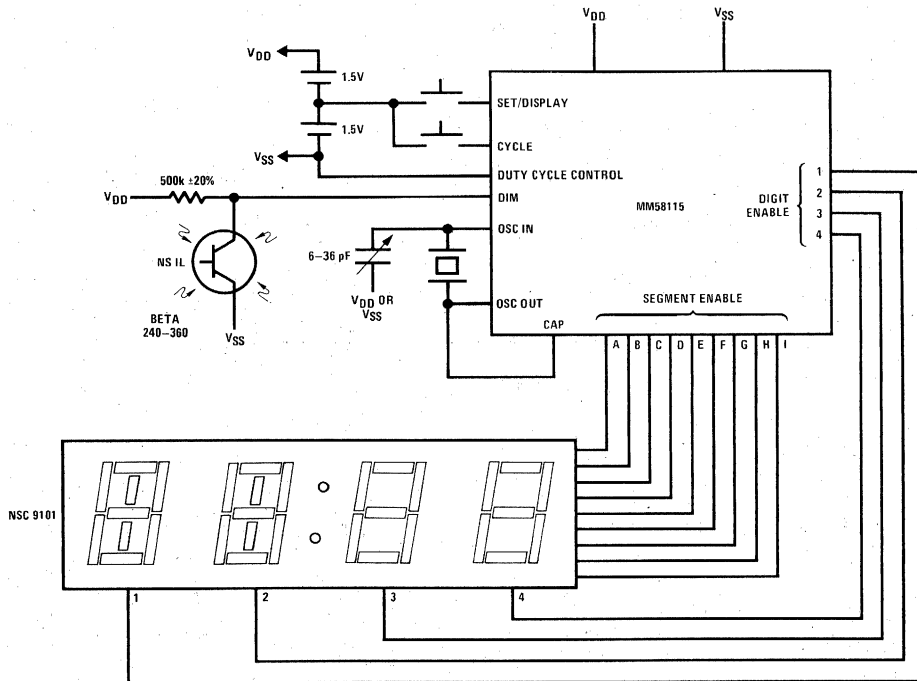


FIGURE 8(a). System Schematic for MM58115 LED Watch

functional description (Continued)

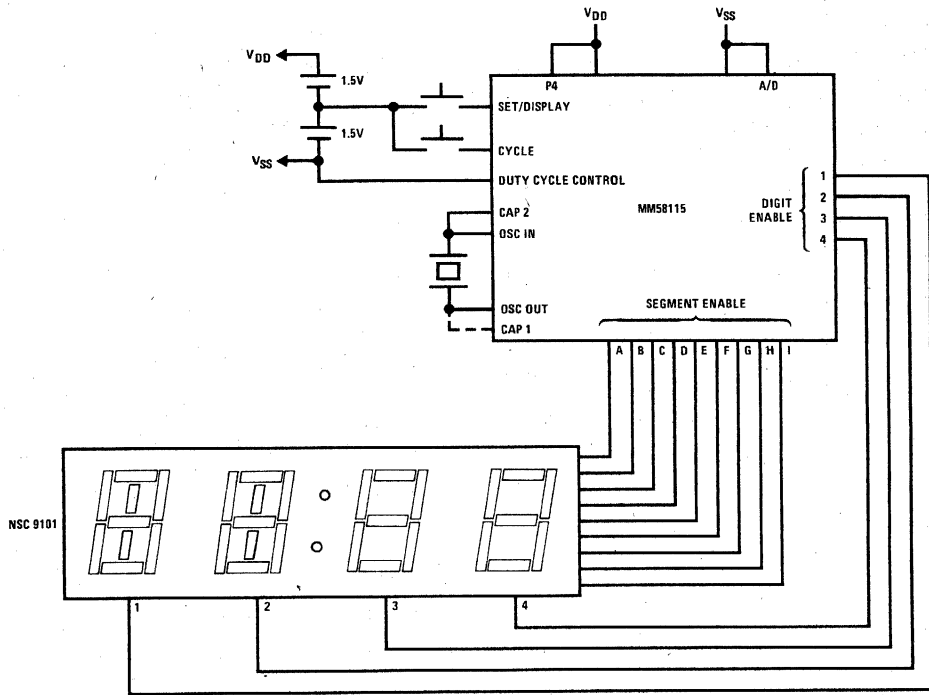


FIGURE 8(b). System Schematic for MM58115 Digitally Tuned LED Watch



## MM58117, MM58118, MM58119, MM58120 LCD watch circuits

### general description

The MM58117, MM58118, MM58119, and MM58120 are low threshold voltage, ion implanted, metal-gate CMOS integrated circuits that provide or control all signals needed for a 3-1/2 digit LCD watch. The circuit time base is a 32,768 Hz crystal controlled oscillator. This time base frequency is counted down to provide proper signals to display Hours-Minutes information continuously with Month-Date or Seconds information available upon demand. Time is displayed in 12 hour format. 23 phase controlled outputs are available for direct drive of a 3-1/2 digit liquid output display (LCD). The 32 Hz output serves as the backplane drive for the LCD. All four parts operate on a single 1.3–1.7V supply. An on-chip voltage multiplier using external capacitors is used to provide the drive voltage for the display. The MM58117 and MM58118 have on-chip voltage doublers which provide 2.5V minimum at 1 $\mu$ A load current. The MM58119 and MM58120 have on-chip voltage triplers which provide 3.8V minimum at 1 $\mu$ A load current. Alternatively, the MM58117 and MM58119 provide a 256 Hz output pulse and the MM58118 and MM58120 provide a 1024 Hz output pulse that can be used to drive an inductive up-converter off chip. The Regulate input can be used to suppress this output

pulse to regulate the voltage generated. The Regulate pad is not present on the MM58117, MM58119 versions. A Test input can be used to convert the 32 Hz output into an input for testing the divider circuitry at a higher frequency. All four parts are available as unpackaged die suitable for hybrid assembly or in 40-lead dual-in-line packages for evaluation purposes.

### features

- Direct continuous LCD drive capability
- 32,768 Hz crystal controlled operation
- Single 1.5V battery operation
- Low power dissipation
- 3-1/2 digit, 12 hour display
- 4 year calendar
- Seconds, Month, and Date display upon demand
- Colon display
- Simple 2 button sequential setting
- Auto reset feature (MM58118 and MM58120)
- On-chip capacitive voltage multiplier
- Regulated bipolar drive also available (MM58118, MM58120)

### block diagram

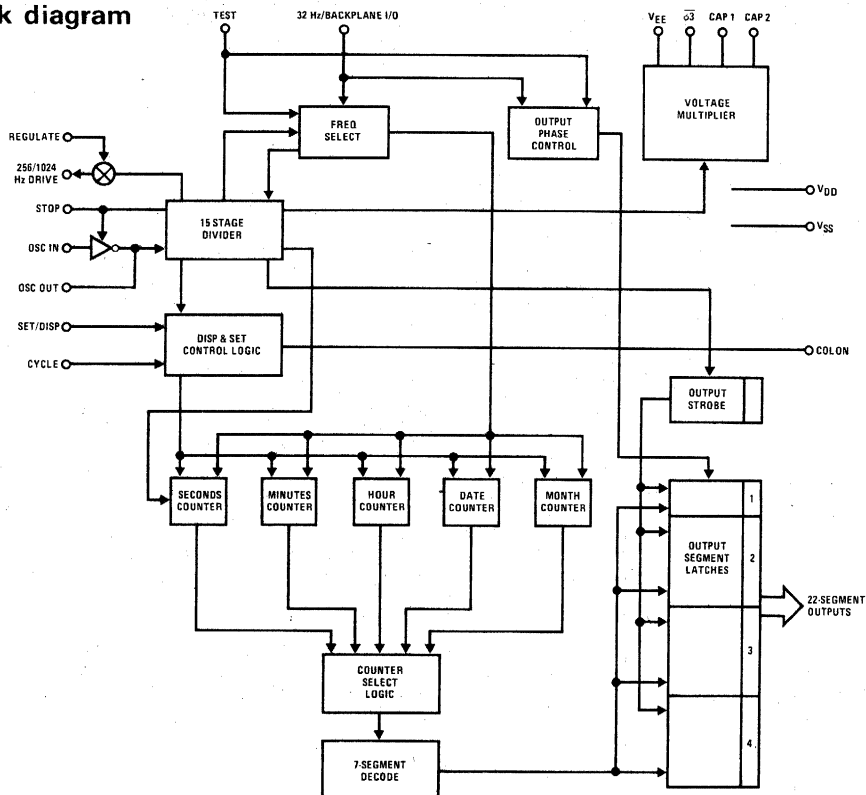


FIGURE 1

**absolute maximum ratings**

|  |                                  |
|--|----------------------------------|
| Voltage at OSC IN, OSC OUT, 256/1024 Hz      | $V_{DD}+0.3V$ to $V_{SS}-0.3V$   |
| Regulator, Set/Display, Cycle, Stop, Phase 3 |                                  |
| Voltage at Any Other Pin                     | $V_{DD}+0.3V$ to $V_{EE}-0.3V$   |
| Operating Temperature Range                  | $-5^{\circ}C$ to $+70^{\circ}C$  |
| Storage Temperature Range                    | $-25^{\circ}C$ to $+85^{\circ}C$ |
| $V_{DD} - V_{EE}$                            | 8.0V                             |
| $V_{DD} - V_{SS}$                            | 3.0V                             |
| Lead Temperature (Soldering, 10 seconds)     | $300^{\circ}C$                   |

**electrical characteristics**

$T_A$  within operating range,  $V_{DD} - V_{SS} = 1.5V$ ,  $V_{DD} - V_{EE} = 4.5V$  unless otherwise noted.

| PARAMETER                     | CONDITIONS  | MIN           | TYP  | MAX           | UNITS   |
|-------------------------------|---|---------------|------|---------------|---------|
| Oscillator Start Voltage      | $T_A = 25^{\circ}C$ , (Note 1)                          | 1.4           |      |               | V       |
| Oscillator Sustaining Voltage | $T_A = -5^{\circ}C$ , (Note 1)                          | 1.3           |      |               | V       |
| Input Voltage Levels          |   |               |      |               |         |
| Set/Display, Cycle            |   |               |      |               |         |
| Logical "1"                   |   | $V_{DD}-0.25$ |      | $V_{DD}$      | V       |
| Logical "0"                   | Internal Pull Down to $V_{SS}$                          |               | Open |               | V       |
| BP/32 Hz Input                |   |               |      |               |         |
| Logical "1"                   |   | $V_{DD}-0.25$ |      | $V_{DD}$      | V       |
| Logical "0"                   |   | $V_{EE}$      |      | $V_{EE}+0.25$ | V       |
| Test, Stop                    |   |               |      |               |         |
| Logical "1"                   | Internal Pull Down to $V_{EE}$                          | $V_{DD}-0.25$ |      | $V_{DD}$      | V       |
| Logical "0"                   |   |               | Open |               | V       |
| Input Current Levels          |   |               |      |               |         |
| Set/Display, Cycle            | $V_{IN} = V_{DD}$                                       | 0.2           |      | 10.0          | $\mu A$ |
| Test                          | $V_{IN} = V_{DD}$                                       |               |      | 15            | $\mu A$ |
| Stop                          | $V_{IN} = V_{DD}$ , $V_{EE} = V_{SS} + 0.3V$            |               |      | 0.5           | $\mu A$ |
| Input Capacitance             | $f = 1$ MHz, $V_{IN} = 0V$                              |               |      | 5             | pF      |
| OSC IN,                       | All Other Pads GND                                      |               |      |               |         |
| Output Voltage Levels         |   |               |      |               |         |
| Segment Drivers               |   |               |      |               |         |
| Logical "1"                   | $V_{OUT} = V_{DD} - 0.2V$ , $V_{DD} - V_{EE} = 3V$      | 4             |      |               | $\mu A$ |
| Logical "0"                   | $V_{OUT} = V_{EE} + 0.2V$ , $V_{DD} - V_{EE} = 3V$      | 4             |      |               | $\mu A$ |
| BP/32 Hz Output               |   |               |      |               |         |
| Logical "1"                   | $V_{OUT} = V_{DD} - 0.2V$ , $V_{DD} - V_{EE} = 3V$      | 40            |      |               | $\mu A$ |
| Logical "0"                   | $V_{OUT} = V_{EE} + 0.2V$ , $V_{DD} - V_{EE} = 3V$      | 40            |      |               | $\mu A$ |
| 256/1024 Hz                   |   |               |      |               |         |
| Logical "1"                   | $V_{OUT} = V_{DD} - 0.2V$ , $V_{DD} - V_{SS} = 1.5V$    | 30            |      |               | $\mu A$ |
| Logical "0"                   | $V_{OUT} = V_{SS} + 0.3V$ , $V_{DD} - V_{SS} = 1.5V$    | 300           |      |               | $\mu A$ |
| Output Current Levels         | $V_{DD} - V_{SS} = 1.4V$ , $V_{DD} - V_{EE} = 4.2V$     |               |      |               |         |
| Phase 3                       |   |               |      |               |         |
| Logical "1," Source           | $V_{OUT} = V_{DD} - 0.25V$ , Phase 2 < 1.5 ms           | 7.5           |      |               | $\mu A$ |
| Logical "0," Sink             | $V_{OUT} = V_{SS} + 0.25V$                              | 35.0          |      |               | $\mu A$ |
| CAP 1                         |   |               |      |               |         |
| Phase 1, Source               | $V_{OUT} = V_{DD} - 0.25V$                              | 7.5           |      |               | $\mu A$ |
| Phase 2, Sink                 | $V_{OUT} = V_{SS} + 0.25V$                              | 20.0          |      |               | $\mu A$ |
| Phase 3, Leakage              | $V_{OUT} = V_{DD} - 3.0V$                               |               |      | 0.6           | $\mu A$ |
| CAP 2                         |   |               |      |               |         |
| Phase 1, Sink                 | $V_{OUT} = V_{SS} + 0.25V$                              | 35.0          |      |               | $\mu A$ |
| Phase 2, Leakage              | $V_{OUT} = V_{EE} + 1.5V$                               |               |      | 0.6           | $\mu A$ |
| $V_{EE}$                      |   |               |      |               |         |
| Phase 3, Sink                 | CAP 2 = $V_{DD} - 4.2V$ ,<br>$V_{OUT} = V_{DD} - 3.95V$ | 250           |      |               | $\mu A$ |

**electrical characteristics** (Continued)  $T_A$  within operating range,  $V_{DD} - V_{SS} = 1.5V$ ,  $V_{DD} - V_{EE} = 4.5V$  unless otherwise noted.

| PARAMETER  | CONDITIONS   | MIN  | TYP | MAX            | UNITS   |
|--|--|--|-----|----------------|---------|
| Supply Current ( $I_{DD}$ )<br>Doubler Operation | $\left\{ \begin{array}{l} T_A = 25^\circ C, I_{EE} = 1\mu A, f = 32,768 \text{ Hz}, \\ V_{DD} = 1.5V \end{array} \right.$  |  | 3.0 | 5.0            | $\mu A$ |
| Tripler Operation                                |  |  | 6.0 | 8.0            | $\mu A$ |
| Voltage Regulator Input Current                  |  | $V_{IN} = V_{DD} - 0.75$ } MM58118, MM58120<br>$T_A = 25^\circ C$ } Only |     | 0.2            | 1.0     |
| Voltage Regulator Switching<br>Threshold         |  | $V_{DD} - 0.4$   |     | $V_{DD} - 1.1$ | V       |
| 256/1024 Hz Pulse Width                          |  | 13   |     | 17             | $\mu s$ |
| Supply Voltage ( $V_{EE}$ )<br>Doubler Operation | $\left\{ \begin{array}{l} T_A = 25^\circ C, C = 0.047\mu F, \\ I_{EE} = 1\mu A, f = 32,768 \text{ Hz}, \\ V_{DD} - V_{SS} = 1.5V, (\text{Figure 9}), \\ (\text{Note 1}) \end{array} \right.$ |  | 2.5 |                | V       |
| Tripler Operation                                |  |  | 3.8 |                | V       |

Note 1: In oscillator network shown in Figure 4.

**functional description**

A block diagram of the Watch Chip is shown in Figure 1. A chip pad layout is shown in Figure 2 and a package connection diagram in Figure 3.

The MM58117 and MM58118 contain an on-chip voltage doubler for display drive and the MM48119 and MM48120 contain an on-chip voltage tripler.

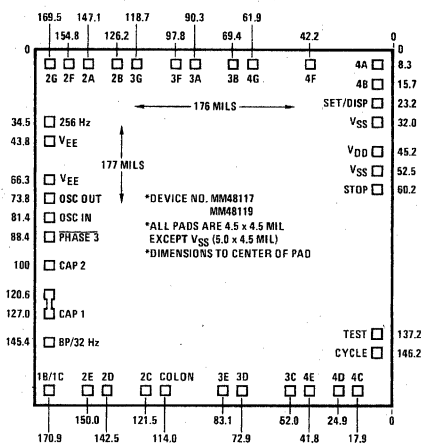


FIGURE 2(a)

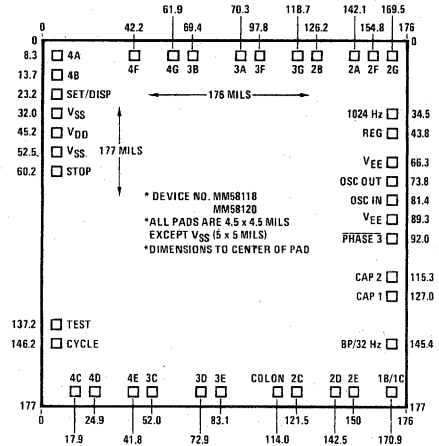
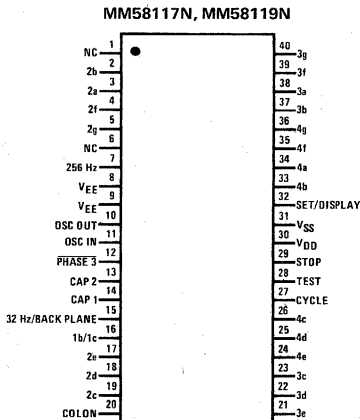
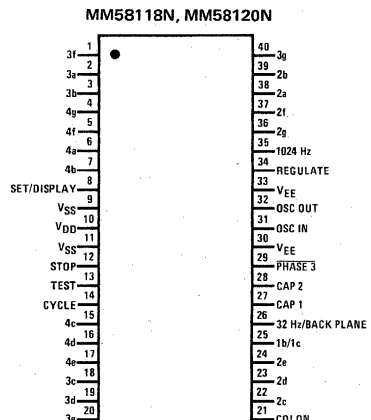


FIGURE 2(b)



TOP VIEW  
FIGURE 3(a)



TOP VIEW  
FIGURE 3(b)

## functional description (Continued)

**Time Base:** The precision time base of the watch is provided by connecting a crystal controlled RC network to the on-chip CMOS inverter/amplifier as shown in *Figure 4*. For proper operation, the network should be tuned to 32,768 Hz. Resistor R1 is used to bias the on-chip inverter for class A amplifier operation. Resistor R2 is used to (a) reduce the voltage sensitivity of the network; (b) limit the power dissipation in the quartz crystal; and (c) provide added phase shift for good start-up and low voltage circuit performance. Capacitors C1 and C2 in series provide the parallel load capacitance required for precise tuning of the quartz crystal. The network shown in *Figure 4* provides greater than 100 ppm tuning range when used with standard X-Y flexure quartz crystals trimmed for  $C_L = 13$  pF. Tuning to better than 2 ppm is easily obtainable.

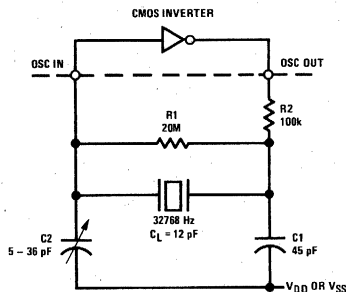


FIGURE 4. Crystal Oscillator Network

The 256/1024 Hz output or the 32 Hz output can be used to monitor the oscillator frequency during initial tuning without disturbing the network itself.

### DISPLAY CONTROL

The Hour:Minute, Month Date, and Second displays are controlled by a normally open switch connected to the Set/Display input. Month and Hour are displayed in digit positions 1 and 2. Date, Minute, and Second are displayed in digit positions 3 and 4.

The circuit will normally display Hour and Minute with the colon flashing at a 1 Hz rate (*Figure 5*). Depressing the Set/Display switch will cause Month and Date to be displayed with no colon. The display will automatically return to Hour and Minute display 2.25  $\pm$  0.25 seconds after the Set/Display switch has been released. Depressing the Set/Display switch a second time while the Month and Date are being displayed will cause the Second to be displayed until the Set/Display switch is again depressed, returning the display to Hour and Minute.

The MM58117 and MM58119 have an additional display mode that can be used by depressing the Cycle switch while the watch is in the first display mode described above. The second display mode will alternately display Hour:Minute and Month Date for a period of 2 seconds each. Depressing the Set/Display switch will cause the Second to be displayed. Depressing the Set/Display switch again will return the watch to the second display mode.

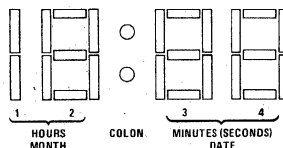


FIGURE 5. Time Display

Leading zero values of month, date, and hours are blanked. The circuit contains a 4 year calendar which will automatically reset the Date Counter to 1 and advance the Month Counter at the end of each month (except for February in Leap Year). The character display font is shown in *Figure 6*.

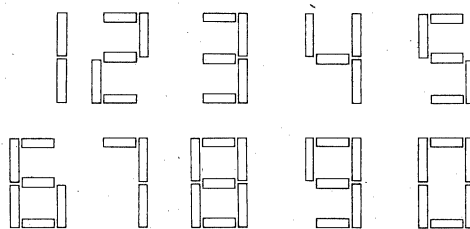


FIGURE 6. Character Display Font

### SETTING CONTROL

A normally open switch connected to the Cycle input is used in conjunction with the Set/Display switch to set Month, Date, Hour, Minute, and synchronize Second information.

#### MM58118, MM58120

**Hour:** With the watch in the display mode, depressing the Cycle switch will put the watch in the Set Hour mode. In this mode the Hour will be displayed in digit positions 1 and 2 followed by the colon and either an A or a P (for AM or PM) displayed in digit position 4. While in this mode depressing the Set/Display switch will advance the Hour Counter at a 1 Hz rate until the Set/Display switch is released.

**Minute:** Depressing the Cycle switch while the watch is in the Set Hour mode will advance it to the Set Minute mode. In this mode the Minute will be displayed in digit positions 3 and 4 preceded by the colon. Depressing the Set/Display switch while still holding the Cycle switch in will cause the Hold mode to be activated but will not advance the Minute counter. Depressing the Set/Display switch after the Cycle switch has been released will cause the Hold mode to be activated and will advance the Minute counter at a 1 Hz rate as long as the switch is held in.

**Month:** Depressing the Cycle switch while the watch is in the Set Minute mode will advance it to the Set Month mode. In this mode the Month will be displayed in digit positions 1 and 2 with no colon. Depressing the Set/Display switch will cause the Month counter to be advanced at a 1 Hz rate as long as the switch is held in.



**functional description** (Continued)

**Date:** Depressing the Cycle switch while the watch is in the Set Month mode will advance it to the Set Date mode. In this mode the Date will be displayed in digit positions 3 and 4 with no colon. Depressing the Set/Display switch will cause the Date counter to be advanced at a 1 Hz rate as long as the switch is held in.

**Hold:** If the Hold mode was activated while in the Set Minute mode, depressing the Cycle switch while in the Set Day mode will advance the watch to the Hold mode. In this mode Hour:Minute will be displayed flashing at a 1 Hz rate. The Second counter will be held at 00. Depressing the Set/Display switch will advance the watch to the normal run mode with Month:Date displayed and release the Second counter to begin normal operation. Depressing the Cycle switch will place the watch in the Set Hour mode with the Hold mode still activated. If the Hold mode was not activated while in the Set Minute mode, depressing the Cycle switch while in the Set Date mode will advance the watch to the Run mode with Hour:Minute displayed.

While in any of the above set modes if no switches are activated for  $5.25 \pm 0.25$  continuous seconds the watch will automatically jump to the Hold mode if it was activated in the Set Minutes mode or to the Run mode if the Hold mode was not activated. There is no roll over of the next higher counter while a counter is being set. For example, while in the Set Minute mode, advancing the Minute counter from 59 to 00 will not advance the Hour counter.

**MM58117, MM58119**

The MM58117 and MM58119 setting procedure is similar to that of the MM58118, except that the setting sequence is as follows:

1. Set Month
2. Set Date
3. Set Hour
4. Set Minute/Hold

There is no 5.25 second time-out while in the setting mode and the watch will stay in each set mode until it is advanced to the next mode. The Cycle switch is used to advance from the Set Minute state to the first display state. The colon will blink on and off while time is being displayed unless the Hold mode is activated, forcing the colon to remain on continuously. During the second display mode, the colon will remain on during time display. Depressing the Set/Display switch while in either one of the two display states will cause the Hold mode to be cleared, allowing the watch to begin normal operation.

Control state diagrams for the MM58117, MM58118, MM58119 and the MM58120 are provided in Figure 7.

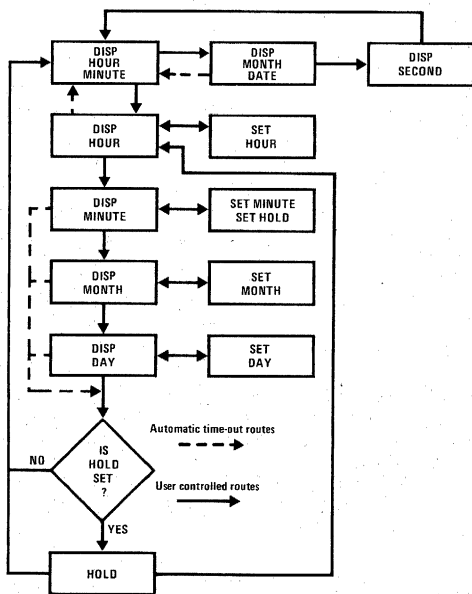


FIGURE 7(a). MM58118, MM58120 Control State Diagram

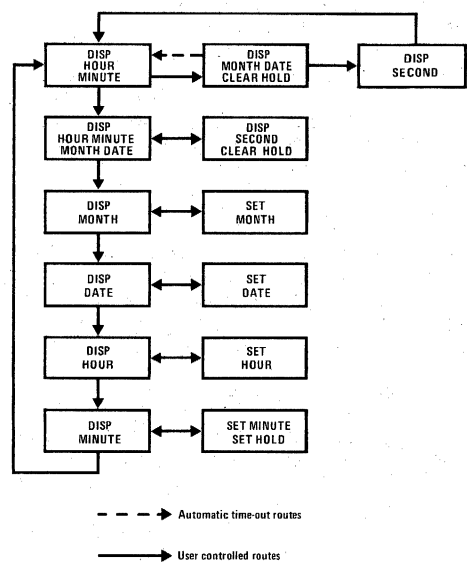


FIGURE 7(b). MM58117, MM58119 Control State Diagram

## functional description (Continued)

**Stop Input:** This input pad has an internal resistor to  $V_{EE}$  holding it normally at a logical "0." A logical "1" at stop will force all of the display segments "OFF" and stop the oscillator, placing the watch in a static mode to decrease power dissipation during extended periods of storage.

**Contact Bounce:** Debounce circuitry is provided on the Set/Display and Cycle inputs to remove any logic uncertainty upon either closure or release of switches provided switch bounce settles within 20 ms.

**Segment Outputs:** The Segment outputs are designed to drive field-effect liquid crystal displays. Each display segment has its own output which furnishes the proper 32 Hz drive signal. By definition, the segment is "OFF" when its drive signal is in phase with the display backplane signal (BP/32 Hz). The segment is "ON" when its drive signal is  $180^\circ$  out of phase with the display backplane signal. Typical output waveforms are shown in *Figure 8*.

**Colon Output:** The Colon output provides a 32 Hz phase controlled signal identical to the segment outputs. The colon will blink at a 1 Hz rate during time display mode (except for display mode one with the Hold mode activated, and display mode two in the MM58117, MM58119) and remain on continuous while displaying time (Hours or Minutes) during the setting operation.

### VOLTAGE MULTIPLIER OUTPUTS:

**256/1024 Hz:** The 256/1024 Hz pad is provided to drive a bipolar transistor which, in conjunction with a

coil or transformer, generates the higher voltage needed for the display. A typical circuit is shown in *Figure 9*. The output waveform is shown in *Figure 10*. The MM58118, MM58120 provides a 1024 Hz output pulse while the MM58117, MM58119 provides the 256 Hz output pulse.

**Voltage Regulator:** The Regulator input is used in conjunction with a zener diode to shut-off the 1024 Hz output to regulate the level of the  $V_{EE}$  supply voltage. The Regulator input is provided on the MM58118 and MM58120 only.

**Test Pads:** Two pads are provided for test purposes.

**BP/32 Hz:** This input/output pad is under the control of Test. When Test is open or at a logical "0," a 32 Hz signal is provided on BP/32 Hz which can be used to drive the backplane of the LCD unit or to monitor the oscillator frequency without affecting the oscillator circuitry. If Test is at a logical "1," the BP/32 Hz pad is converted into an input and any frequency connected to it will replace the normal internal 32 Hz signal. This feature is provided to allow high speed advancement of the internal counters for testing purposes.

**Test:** This input pad is used to control the BP/32 Hz pad as described above. When the Test pad is at a logical "1," the phase-control is disconnected from the segment drive outputs and the segment information will be referenced to a logical "0" backplane. Switching the Test pad from a logical "0" to a logical "1" generates a reset pulse that will reset the watch counters to 1 AM on January the first. This places the watch into a known state for testing purpose.

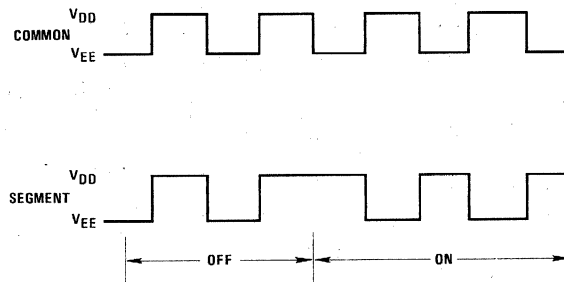


FIGURE 8. Common and Segment Output Signals

functional description (Continued)

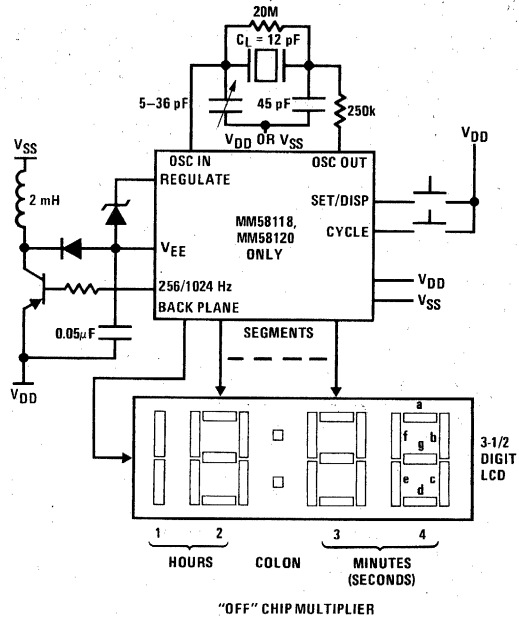
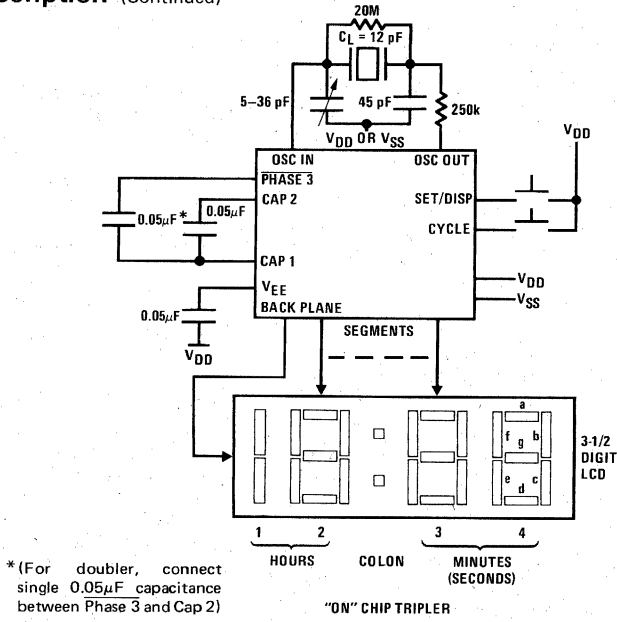


FIGURE 9. Typical Application of MM58117, MM58118, MM58119 and MM58120 in LCD Watch System

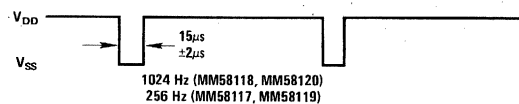


FIGURE 10. 1024 Hz Output



## MM58127, MM58128, MM58129, MM58130 LCD watch circuits

### general description

The MM58127, MM58128, MM58129, and MM58130 are low threshold voltage, ion implanted, metal-gate CMOS integrated circuits that provide or control all signals needed for a 3 1/2-digit LCD watch. The circuit time base is a 32,768 Hz crystal controlled oscillator. Oscillator RC network components are included on the circuits. The time base frequency is counted down to provide proper signals to display Hours-Minutes information continuously with Month-Date or Seconds information available upon demand. Time is displayed in 12-hour format. 23 phase controlled outputs are available for direct drive of a 3 1/2-digit liquid output display (LCD). The 32 Hz output serves as the backplane drive for the LCD. All 4 parts operate on a single 1.3–1.7V supply. An on-chip voltage multiplier using external capacitors is used to provide the drive voltage for the display. All circuits have an on-chip voltage doublers which provide 2.5V minimum at 1  $\mu$ A load current or voltage triplers which provide 3.8V minimum at 1  $\mu$ A load current. A Test input can be used to convert the 32 Hz

output into an input for testing the divider circuitry at a higher frequency. All 4 parts are available as unpackaged die suitable for hybrid assembly or in 40-lead dual-in-line packages for evaluation purposes.

### features

- Direct continuous LCD drive capability
- 32,768 Hz crystal controlled operation
- Single 1.5V battery operation
- Low power dissipation
- 3 1/2-digit, 12 hour display
- 4 year calendar
- Seconds, Month and Date display upon demand
- Colon display
- Simple 2 button sequential setting
- On-chip oscillator RC network
- On-chip capacitive voltage multiplier

### block diagram

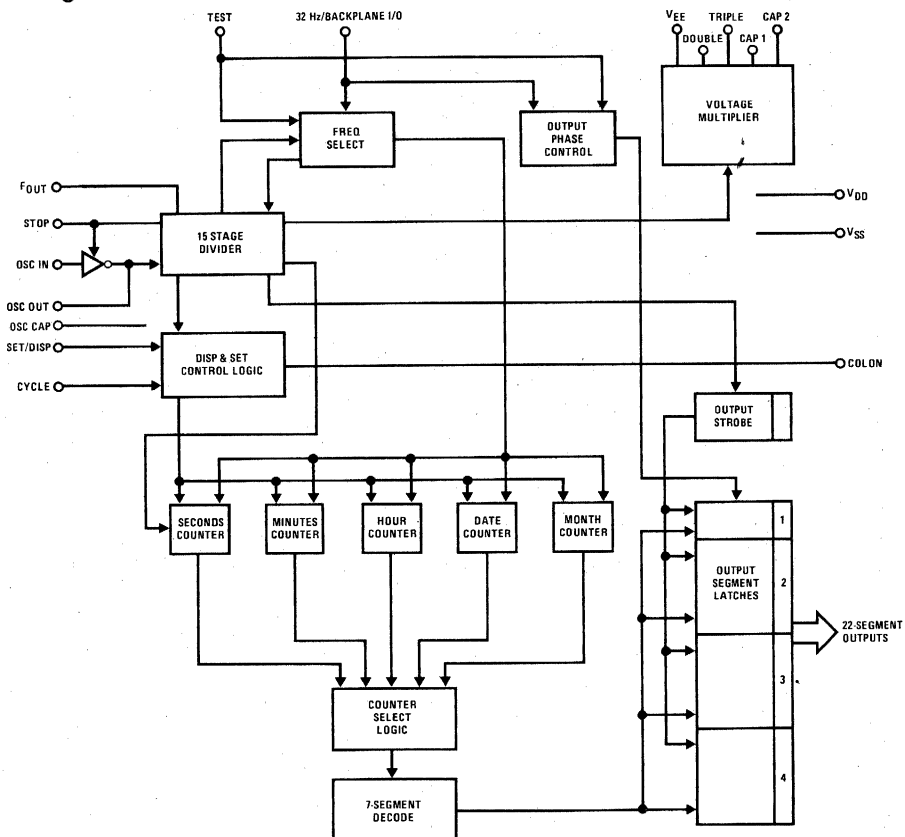


FIGURE 1

**absolute maximum ratings**

|   |  |
|---|--|
| Voltage at Osc. In, Osc. Out, F <sub>OUT</sub><br>Regulator, Set/Display, Cycle, Stop, Double, Triple | V <sub>DD</sub> +0.3V to V <sub>SS</sub> -0.3V |
| Voltage at Any Other Pin  | V <sub>DD</sub> +0.3V to V <sub>EE</sub> -0.3V |
| Operating Temperature Range   | -5°C to +70°C                                  |
| Storage Temperature Range   | -25°C to +85°C                                 |
| V <sub>DD</sub> - V <sub>EE</sub>   | 8.0V   |
| V <sub>DD</sub> - V <sub>SS</sub>   | 3.0V   |
| Lead Temperature (Soldering, 10 seconds)  | 300°C  |

**electrical characteristics**T<sub>A</sub> within operating range, V<sub>DD</sub> - V<sub>SS</sub> = 1.5V, V<sub>DD</sub> - V<sub>EE</sub> = 4.5V unless otherwise noted.

| PARAMETER                     | CONDITIONS  | MIN                   | TYP  | MAX                   | UNITS |
|-------------------------------|---|-----------------------|------|-----------------------|-------|
| Oscillator Start Voltage      | T <sub>A</sub> = 25°C, (Note 1)   | 1.4                   |      |                       | V     |
| Oscillator Sustaining Voltage | T <sub>A</sub> = -5°C, (Note 1)   | 1.3                   |      |                       | V     |
| Input Voltage Levels          |   |                       |      |                       |       |
| Set/Display, Cycle            |   |                       |      |                       |       |
| Logical "1"                   | Internal Pull Down to V <sub>SS</sub>   | V <sub>DD</sub> -0.25 | Open | V <sub>DD</sub>       | V     |
| Logical "0"                   |   |                       |      |                       | V     |
| BP/32 Hz Input                |   |                       |      |                       |       |
| Logical "1"                   |   | V <sub>DD</sub> -0.25 |      | V <sub>DD</sub>       | V     |
| Logical "0"                   |   | V <sub>EE</sub>       |      | V <sub>EE</sub> +0.25 | V     |
| Test, Stop                    |   |                       |      |                       |       |
| Logical "1"                   | Internal Pull Down to V <sub>EE</sub>   | V <sub>DD</sub> -0.25 | Open | V <sub>DD</sub>       | V     |
| Logical "0"                   |   |                       |      |                       | V     |
| Input Current Levels          |   |                       |      |                       |       |
| Set/Display, Cycle            | V <sub>IN</sub> = V <sub>DD</sub>   | 0.2                   |      | 10.0                  | μA    |
| Test                          | V <sub>IN</sub> = V <sub>DD</sub>   |                       |      | 15                    | μA    |
| Stop                          | V <sub>IN</sub> = V <sub>DD</sub> , V <sub>EE</sub> = V <sub>SS</sub> + 0.3V        |                       |      | 0.5                   | μA    |
| Input Capacitance             | f = 1 MHz, V <sub>IN</sub> = 0V   |                       |      | 5                     | pF    |
| Osc. In,                      | All Other Pads Gnd  |                       |      |                       |       |
| Output Voltage Levels         |   |                       |      |                       |       |
| Segment Drivers               |   |                       |      |                       |       |
| Logical "1"                   | V <sub>OUT</sub> = V <sub>DD</sub> - 0.2V, V <sub>DD</sub> - V <sub>EE</sub> = 3V   | 4                     |      |                       | μA    |
| Logical "0"                   | V <sub>OUT</sub> = V <sub>EE</sub> + 0.2V, V <sub>DD</sub> - V <sub>EE</sub> = 3V   | 4                     |      |                       | μA    |
| BP/32 Hz Output               |   |                       |      |                       |       |
| Logical "1"                   | V <sub>OUT</sub> = V <sub>DD</sub> - 0.2V, V <sub>DD</sub> - V <sub>EE</sub> = 3V   | 40                    |      |                       | μA    |
| Logical "0"                   | V <sub>OUT</sub> = V <sub>EE</sub> + 0.2V, V <sub>DD</sub> - V <sub>EE</sub> = 3V   | 40                    |      |                       | μA    |
| F <sub>OUT</sub>              |   |                       |      |                       |       |
| Logical "1"                   | V <sub>OUT</sub> = V <sub>DD</sub> - 0.2V, V <sub>DD</sub> - V <sub>SS</sub> = 1.5V | 30                    |      |                       | μA    |
| Logical "0"                   | V <sub>OUT</sub> = V <sub>SS</sub> + 0.3V, V <sub>DD</sub> - V <sub>SS</sub> = 1.5V | 300                   |      |                       | μA    |
| Output Current Levels         | V <sub>DD</sub> - V <sub>SS</sub> = 1.4V, V <sub>DD</sub> - V <sub>EE</sub> = 4.2V  |                       |      |                       |       |
| Double, Triple                |   |                       |      |                       |       |
| Logical "1," Source           | V <sub>OUT</sub> = V <sub>DD</sub> - 0.25V, Phase 2 < 1.5 ms                        | 7.5                   |      |                       | μA    |
| Logical "0," Sink             | V <sub>OUT</sub> = V <sub>SS</sub> + 0.25V  | 35.0                  |      |                       | μA    |
| Cap. 1                        |   |                       |      |                       |       |
| Phase 1, Source               | V <sub>OUT</sub> = V <sub>DD</sub> - 0.25V  | 7.5                   |      |                       | μA    |
| Phase 2, Sink                 | V <sub>OUT</sub> = V <sub>SS</sub> + 0.25V  | 20.0                  |      |                       | μA    |
| Phase 3, Leakage              | V <sub>OUT</sub> = V <sub>DD</sub> - 3.0V   |                       |      | 0.6                   | μA    |
| Cap. 2                        |   |                       |      |                       |       |
| Phase 1, Sink                 | V <sub>OUT</sub> = V <sub>SS</sub> + 0.25V  | 35.0                  |      |                       | μA    |
| Phase 2, Leakage              | V <sub>OUT</sub> = V <sub>EE</sub> + 1.5V   |                       |      | 0.6                   | μA    |
| V <sub>EE</sub>               |   |                       |      |                       |       |
| Phase 3, Sink                 | Cap. 2 = V <sub>DD</sub> - 4.2V,<br>V <sub>OUT</sub> = V <sub>DD</sub> - 3.95V      | 250                   |      |                       | μA    |



## functional description (Continued)

**Time Base:** The precision time base of the watch is provided by connecting a crystal controlled RC network to the on-chip CMOS inverter/amplifier as shown in *Figure 4*. For proper operation, the network should be tuned to 32,768 Hz. Resistor R1 is used to bias the on-chip inverter for class A amplifier operation. Resistor R2 is used to (a) reduce the voltage sensitivity of the network; (b) limit the power dissipation in the quartz crystal; and (c) provide added phase shift for good start-up and low voltage circuit performance. Capacitors C1 and C2 in series provide the parallel load capacitance required for precise tuning of the quartz crystal. The network shown in *Figure 4* provides greater than 100 ppm tuning range when used with standard X-Y flexure quartz crystals trimmed for  $C_L = 13$  pF. Tuning to better than 2 ppm is easily obtainable.

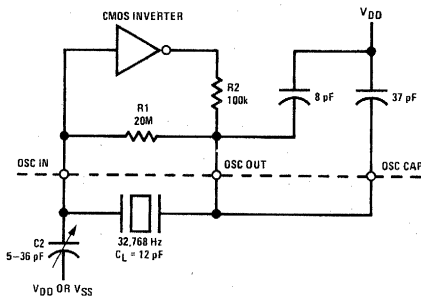


FIGURE 4. Crystal Oscillator Network

The 256/1024 Hz output or the 32 Hz output can be used to monitor the oscillator frequency during initial tuning without disturbing the network itself.

### DISPLAY CONTROL

The Hour:Minute, Month Date, and Second displays are controlled by a normally open switch connected to the Set/Display input. Month and Hour are displayed in digit positions 1 and 2. Date, Minute, and Second are displayed in digit positions 3 and 4.

The circuit will normally display Hour and Minute with the colon flashing at a 1 Hz rate (*Figure 5*). Depressing the Set/Display switch will cause Month and Date to be displayed with no colon. The display will automatically return to Hour and Minute display 2.25  $\pm$  0.25 seconds after the Set/Display switch has been released. Depressing the Set/Display switch a second time while the Month and Date are being displayed will cause the Second to be displayed until the Set/Display switch is again depressed, returning the display to Hour and Minute. An option is available to display Minutes unit and Seconds in this mode.

All versions have an additional display mode that can be used by depressing the Cycle switch while the watch is in the first display mode described above. The second display mode will alternately display Hour:Minute and Month Date for a period of 2 seconds each. Depressing the Set/Display switch will cause the Second to be displayed. Depressing the Set/Display switch again will return the watch to the second display mode.

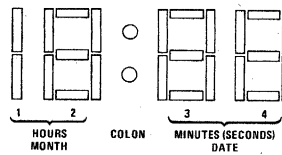


FIGURE 5. Time Display

Leading zero values of month, date, and hours are blanked. The circuit contains a 4 year calendar which will automatically reset the Date Counter to 1 and advance the Month Counter at the end of each month (except for February in Leap Year). The character display font is shown in *Figure 6*.

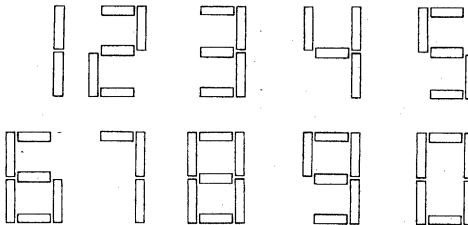


FIGURE 6. Character Display Font

### SETTING CONTROL

A normally open switch connected to the Cycle input is used in conjunction with the Set/Display switch to set Month, Date, Hour, Minute, and synchronize Second information.

**Month:** Depressing the Cycle switch while the watch is in the Alternating Display mode will advance it to the Set Month mode. In this mode the Month will be displayed in digit positions 1 and 2 with no colon. Depressing the Set/Display switch will cause the Month counter to be advanced at a 1 Hz rate as long as the switch is held in.

**Date:** Depressing the Cycle switch while the watch is in the Set Month mode will advance it to the Set Date mode. In this mode the Date will be displayed in digit positions 3 and 4 with no colon. Depressing the Set/Display switch will cause the Date counter to be advanced at a 1 Hz rate as long as the switch is held in.

**Hour:** With the watch in the Set Date mode, depressing the Cycle switch will put the watch in the Set Hour mode. In this mode the Hour will be displayed in digit positions 1 and 2 followed by the colon and either an A or a P (for AM or PM) displayed in digit position 4. While in this mode, depressing the Set/Display switch will advance the Hour Counter at a 1 Hz rate until the Set/Display switch is released.

**Minute:** Depressing the cycle switch while the watch is in the Set Hour mode will advance it to the Set Minute mode. In this mode the Minute will be displayed in digit positions 3 and 4 preceded by the colon. Depressing the Set/Display switch while still holding the Cycle switch in will cause the Hold mode to be activated but will not advance the Minute counter. Depressing the Set/Display switch after the Cycle switch has been released will cause the Hold mode to be activated and will advance the Minute counter at a 1 Hz rate as long as the switch is held in.

## functional description (Continued)

**Hold:** The Cycle switch is used to advance from the Set Minute state to the first display state. The colon will blink on and off while time is being displayed unless the Hold mode is activated, forcing the colon to remain on continuously. During the second display mode, the colon will remain on during time display. Depressing the Set/Display switch while in either one of the two display states will cause the Hold mode to be cleared, allowing the watch to begin normal operation.

Control state diagrams for the watch are provided in Figure 7.

Options are available for 1 or 2 Hz setting rate. In addition, a further option allows a fast set at 4 times the normal rate by pushing both Set/Display and then the cycle switch.

**Stop Input:** This input pad has an internal resistor to  $V_{EE}$  holding it normally at a logical "0." A logical "1" at stop will force all of the display segments "OFF" and stop the oscillator, placing the watch in a static mode to decrease power dissipation during extended periods of storage.

**Contact Bounce:** Debounce circuitry is provided on the Set/Display and Cycle inputs to remove any logic uncertainty upon either closure or release of switches.

**Segment Outputs:** The Segment outputs are designed to drive field-effect liquid crystal displays. Each display segment has its own output which furnishes the proper 32 Hz drive signal. By definition, the segment is "OFF" when its drive signal is in phase with the display backplane signal (BP/32 Hz). The segment is "ON" when its drive signal is 180° out of phase with the display backplane signal. Typical output waveforms are shown in Figure 8.

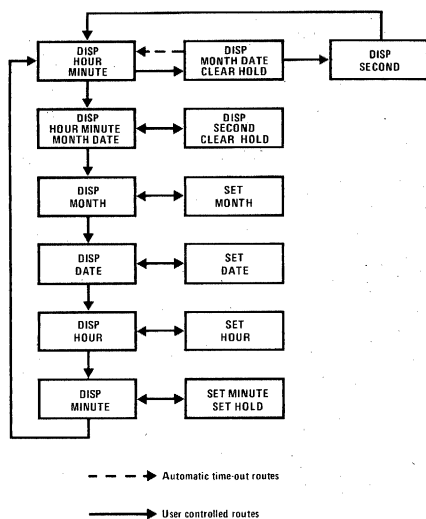


FIGURE 7. Control State Diagram

**Colon Output:** The Colon output provides a 32 Hz phase controlled signal identical to the segment outputs. The colon will blink at a 1 Hz rate during time display mode (except for display mode one with the Hold mode activated, and display mode two in the MM58117, MM58119) and remain on continuous while displaying time (Hours or Minutes) during the setting operation.

## TEST PADS

Three pads are provided for test purposes.

**FOUT:** The 256/1024 Hz pad is provided for oscillator tuning.

**BP/32 Hz:** This input/output pad is under the control of Test. When Test is open or at a logical "0," a 32 Hz signal is provided on BP/32 Hz which can be used to drive the backplane of the LCD unit or to monitor the oscillator frequency without affecting the oscillator circuitry. If Test is at a logical "1," the BP/32 Hz pad is converted into an input and any frequency connected to it will replace the normal internal 32 Hz signal. This feature is provided to allow high speed advancement of the internal counters for testing purposes.

**Test:** This input pad is used to control the BP/32 Hz pad as described above. When the Test pad is at a logical "1," the phase-control is disconnected from the segment drive outputs and the segment information will be referenced to a logical "0" backplane. Switching the Test pad from a logical "0" to a logical "1" generates a reset pulse that will reset the watch counters to 1 AM on January the first. This places the watch into a known state for testing purpose.

**Options:** Various mask options of the basic part type are available as standard parts. These are described in Table I. Other combinations of these options can also be made upon special request.

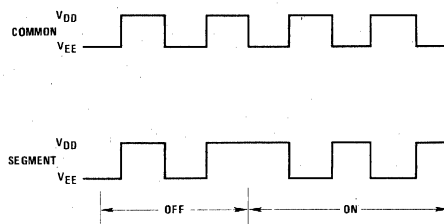


FIGURE 8. Common and Segment Output Signals



functional description (Continued)

TABLE I. Standard Available Options

| PART NO. | MOUNTING | F <sub>OUT</sub> | DEBOUNCE FREQUENCY | SETTING RATE | RUN 2 RATE | MIN/SEC |  |
|----------|----------|------------------|--------------------|--------------|------------|---------|--|
| MM48127  | Front    | 1024             | 8 Hz               | 2 Hz/8 Hz    | 1/4 Hz     | Yes     |  |
| MM48128  | Back     | TO BE DETERMINED |                    |              |            |         |  |
| MM48129  | Front    | 256              | 16 Hz              | 1 Hz         | 1/4 Hz     | No      |  |
| MM48130  | Back     | 1024             | 8 Hz               | 2 Hz/8 Hz    | 1/4 Hz     | Yes     |  |

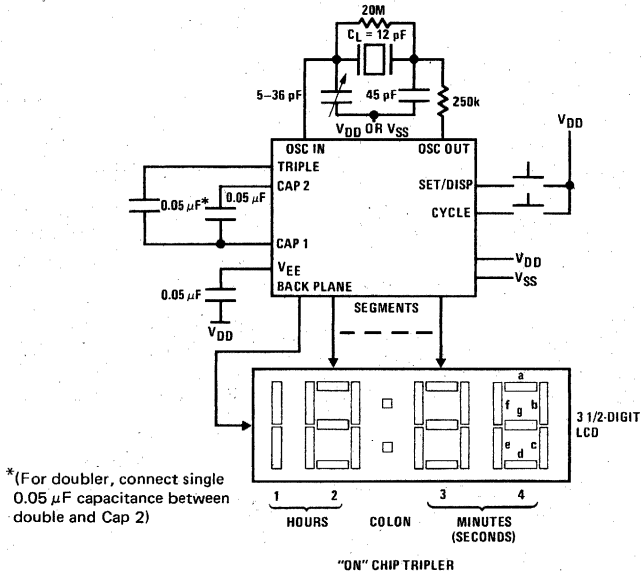


FIGURE 9. Typical Application in LCD Watch System

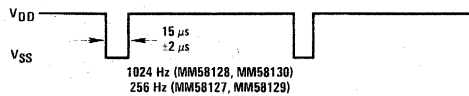
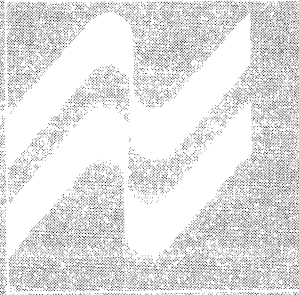


FIGURE 10. 1024 Hz Output



**SECTION 8**  
**CALCULATORS**



## MM5734 8-function accumulating memory calculator

### general description

The single-chip MM5734 calculator was developed using a metal-gate P-channel enhancement and depletion mode MOS/LSI technology with a primary object of low end-product cost. A complete calculator as shown in *Figure 1* requires only the MM5734 calculator chip, an X-Y matrix keyboard, an NSA1198 or NSA1298 LED display and a 9V battery.

Keyboard decoding and key debounce circuitry, all clocks and timing generators, power-on clear, and 7-segment output display decoding are included on-chip, and require no external components. Segments and digits can usually be driven directly from the MM5734, as the segments typically source 8 mA of peak current and the digit drivers sink 20 mA min.

Leading zero suppression and a floating negative sign allow convenient reading of the display and conserve power. The MM5734 is capable of sensing a low battery voltage and indicates this by displaying a decimal point in digit eight. Up to 8-digits for positive numbers and 7 for negative numbers can be displayed, with the negative sign displayed in the 8th position. Typical current drain of a complete calculator displaying five "5's" is 25 mA.

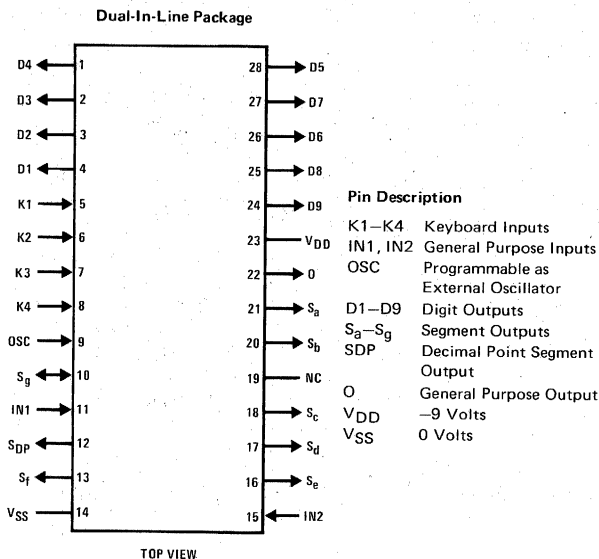
The MM5734 is capable of decoding a keyboard matrix as shown in *Figure 1*. Three possible models are shown in *Figure 2*. *Figure 2(c)* illustrates a keyboard scheme which includes all 8 functions with only 23 keys by using a function key (F).

### features

- 8-digit, (7-negative), capacity
- 8 functions (+, -, X, ÷, X<sup>2</sup>, √X, 1/X, %)
- Convenient algebraic notation
- Fully protected accumulating memory (M+, M-)
- Automatic constant independent of memory
- Floating input/floating output
- Power-on clear\*
- On-chip oscillator\*
- Direct 9V battery compatibility
- Low system cost
- Direct digit drive of LED display
- Low cost X-Y keyboard matrix

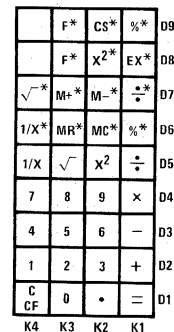
\* Requires no external components

### connection diagram



Order Number MM5734N  
See Package 23

### keyboard outline



\* Double Function Key

**absolute maximum ratings**

Volume at Any Pin Relative to  $V_{SS}$  :  $V_{SS} + 0.3V$  to  $V_{SS} - 12V$   
 (All Other Pins Connected to  $V_{SS}$ )  
 Ambient Operating Time  $0^{\circ}C$  to  $+70^{\circ}C$   
 Ambient Storage Time  $-65^{\circ}C$  to  $+150^{\circ}C$   
 Lead Temperature (Soldering, 10 seconds)  $300^{\circ}C$

**operating voltage range**
 $6.5V \leq V_{SS} - V_{DD} \leq 9.5V$ 
**dc electrical characteristics**

| PARAMETER                            | CONDITIONS   | MIN                              | TYP | MAX                              | UNITS          |
|--------------------------------------|--|----------------------------------|-----|----------------------------------|----------------|
| $I_{DD}$ Operating Supply Current    | $V_{DD} = V_{SS} - 9.5V$ , $T_A = 25^{\circ}C$   |                                  | 8   | 15                               | mA             |
| Keyboard Scan Input Levels<br>CK1 K4 |  |                                  |     |                                  |                |
| $V_{IH}$ Logical High Level          | $V_{DD} = V_{SS} - 6.5V$<br>$V_{DD} = V_{SS} - 9.5V$   | $V_{SS} - 4.0$<br>$V_{SS} - 4.0$ |     | $V_{SS}$<br>$V_{SS}$             | V              |
| $V_{IL}$ Logical Low Level           | $V_{DD} = V_{SS} - 6.5V$ , $I_{IL} \leq -80\mu A$<br>$V_{DD} = V_{SS} - 9.5V$ , $I_{IL} \leq -80\mu A$   | $V_{DD}$<br>$V_{DD}$             |     | $V_{SS} - 6.0$<br>$V_{SS} - 6.3$ | V              |
| Segment Output Current               | $V_{OUT} = V_{SS} - 1.0V$ , $V_{DD} = V_{SS} - 6.5V$<br>$V_{OUT} = V_{SS} - 5.0V$ , $V_{DD} = V_{SS} - 8.0V$<br>$V_{OUT} = V_{SS} - 6.5V$ , $V_{DD} = V_{SS} - 9.5V$ | -2.5                             | -8  |                                  | mA<br>mA<br>mA |
| Digit Output Current                 |  |                                  |     |                                  |                |
| $I_{OH}$ Logical High Level          | $V_{OUT} = V_{SS} - 2.0V$ , $V_{DD} = V_{SS} - 6.5V$   | -300                             |     |                                  | $\mu A$        |
| $I_{OL}$ Logical Low Level           | $V_{OUT} = V_{SS} - 3.0V$  | 20                               |     |                                  | mA             |
| Ready Output                         |  |                                  |     |                                  |                |
| $V_{OH}$ Logical High Level          | $V_{DD} = V_{SS} - 6.5V$<br>$I_{OUT} = -550\mu A$  | $V_{SS} - 1.0$                   |     |                                  | V              |
| $V_{OL}$ Logical Low Level           | $I_{OUT} = 5\mu A$   |                                  |     | $V_{DD} + 6.0$                   | V              |
| Keyboard Resistance<br>K1, K4        |  |                                  |     | 5                                | K              |

**ac electrical characteristics**

| PARAMETER  | CONDITIONS               | MIN  | TYP | MAX  | UNITS   |
|--|--------------------------|------|-----|------|---------|
| Display Word Time  | (Figure 3)               | 2.9  |     | 15.4 | ms      |
| Display Digit Time   | (Figure 3)               | 0.32 |     | 1.71 | ms      |
| Interdigit Blanking Time (Segment Outputs)   | (Figure 3)               |      | 175 |      | $\mu s$ |
| Ready Transition Times   |                          |      |     |      |         |
| High-to-Low  | $V_{DD} = V_{SS} - 6.5V$ |      |     | 20   | $\mu s$ |
| Low-to-High  | $C_L = 50$ pF            |      |     | 1    | $\mu s$ |
| Digit Output Transition Times  |                          |      |     |      |         |
| High-to-Low  | $C_L = 100$ pF           |      | 8   |      | $\mu s$ |
| Low-to-High  |                          |      | 3   |      | $\mu s$ |
| Keyboard Inputs  | $C_L = 25$ pF            |      | 6   |      | $\mu s$ |
| High-to-Low Transition Time After Key Release  |                          |      |     |      |         |
| Key Bounce-Out Stability Time<br>(The time a keyboard input must be continuously lower than the maximum logical low level to be accepted as a key closure, or higher than the minimum logical high level to be accepted as a key release.) |                          | 11.7 |     | 61.7 | ms      |
| Worst-Case Calculation Time  |                          |      |     | 0.56 | s       |

## functional description

The MM5734 is a calculator chip which contains five data registers: (1) entry, (2) accumulator, (3) 2 working and (4) memory, each consisting of 8 digits, sign, and decimal point. The entry register is always displayed. It contains digit entries from the keyboard, and results of all functions except M+ and M-. The accumulator is used in all arithmetic functions and stores a copy of the entry register on all results. This allows another number to be entered without losing an intermediate result. Multiply and divide requires three registers to perform the function and save the divisor, or multiplier. The working register is provided to perform these functions in conjunction with the entry and accumulator registers. A second working register is used to store the constant in chain operations while performing  $X^2$  or  $1/X$ . This allows chain operation using  $X^2$ ,  $1/X$  and  $\sqrt{X}$ .

The memory register is used only to store a number to be used later. It is fully protected during all operations, and is only modified by depressing a "MS," "M+," or "M-" key. Power-on clears all of the registers including the memory register.

The MM5734 performs the "+", "-", "X" and "÷" functions using algebraic notation. This requires the use of a mode register and a terminate flag. The mode register directs the machine to the proper function (add, subtract, multiply or divide) with each new key entry. After the function has been performed, the key entered is used to modify the mode register.

The terminate flag is set on "=" and sometimes on "%" and "C." This signifies the end of the problem. The MM5734 allows for full floating entries and intermediate results.

If the terminate flag is set, a "+", "-", "X" or "÷" key signals the beginning of a new problem. The number being displayed is copied into the accumulator register and the mode register assumes the mode of the key entered. The terminate flag is always reset by the "+", "-", "X" and "÷" keys.

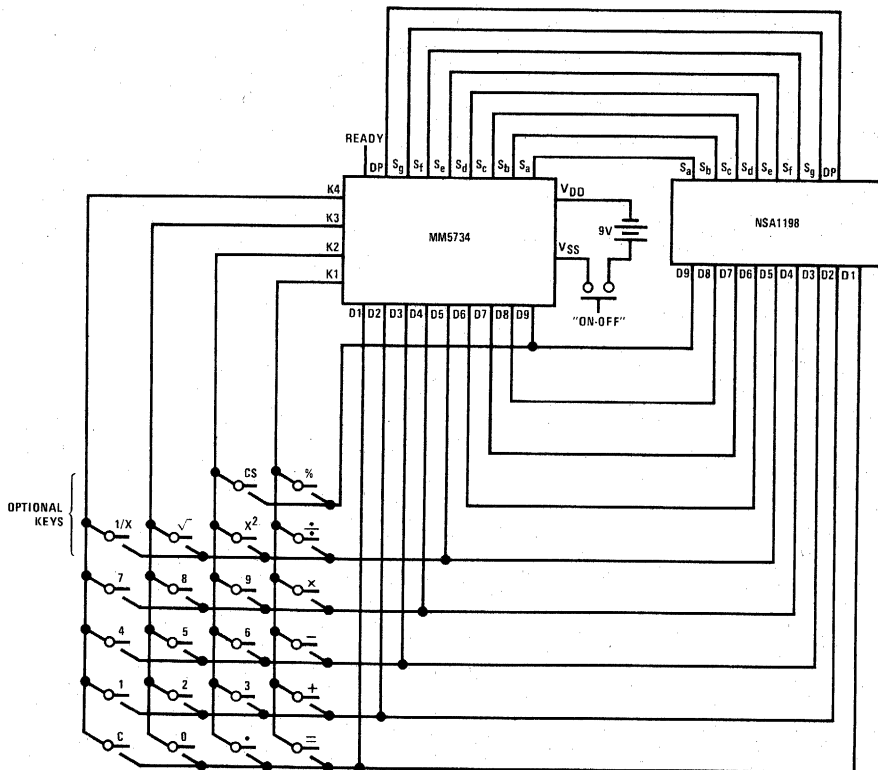


FIGURE 1A. Complete Calculator Schematic

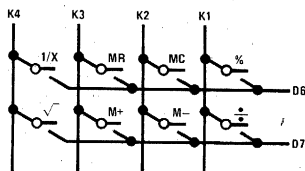


FIGURE 1(b). Optional Keys

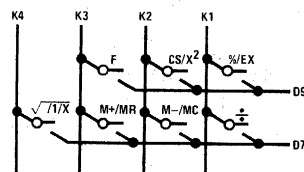


FIGURE 1(c). Optional Keys

## OPERATION IN THE ADD AND SUBTRACT MODE

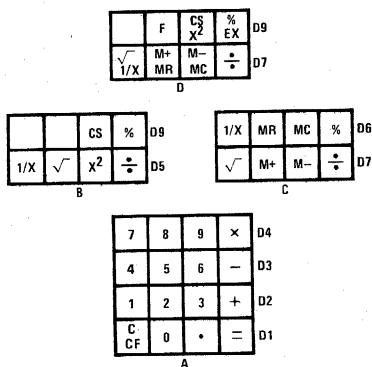


FIGURE 2

If the terminate flag is set, an "=" key will result in a constant add/subtract. The number in the accumulator will be added to (or subtracted from) the number being displayed. The result is right-justified and displayed in the entry register. Accumulator and mode registers are not altered, allowing for constant operations.

If the terminate flag is not set and a number has been entered from the keyboard, or memory register, a "+," "-", "X" or "÷" key will result in an addition or subtraction. The entry register will be added to or subtracted from the accumulator and the new running total will be displayed in the entry register and copied into the accumulator register. The mode will be altered according to which key is entered.

If the terminate flag is not set, and a number has not been entered from the keyboard, or memory, a "+," "-", "X," "÷" key will only change the mode register to the new key entry.

If the terminate flag is not set, an "=" key will add/subtract the number being displayed to/from the number in the accumulator register. The number being displayed is transferred to the accumulator, and the result of the operation is displayed in the entry register. The terminate flag is set, conditioning the calculator for constant, add/subtract operation. The number being displayed previous to the "=" key is stored in the accumulator as the constant.

Operation of the "%" key in add/subtract mode, with the terminate flag reset, will multiply the accumulator by the last entry, divide the result by 100, and display it in the entry register. The mode register remains as it was in the add/subtract mode. All of the above is required to perform the percent add on or discount problems. Depression of an "=" key after the "%" key will either tax or discount the original number as a function of the mode register and the last entry.

Operation of the "•" key in add/subtract mode, with the terminate flag set, will shift the decimal point of the number being displayed two places to the left and copy it into the accumulator register. The mode is set to multiply and the terminate flag remains set.

## Operation in the Multiply Mode

If the terminate flag is set, an "=" key will result in a constant multiply operation. The number being displayed is multiplied by the constant stored in the accumulator register. The result is displayed in the entry register and the accumulator and mode registers are not altered, allowing for constant operation. Repeated depressions of the "=" key can be used to raise a number to an integer power, i.e., "C," "C," "5.2," "X," "=", "C," "C," "5.2," "X," "=", "C," "C," "5.2," "X," "=", "C," "C," "5.2," "X," "=" computes  $5.2^4$ .

The constant in multiplication, as well as in addition, subtraction and division is the last number entered. For the sequence: "C," "C," "3," "÷," "4," "X," "2," "=" the constant multiplier for future problems is 2.

If the terminate flag is not set, an "=" key will signal the end of a problem. The number in the display will be multiplied by the contents of the accumulator, and the results will be displayed in the entry register. The number previously in the entry register is stored in the accumulator register and the terminate flag is set.

If the terminate flag is not set, and a number has been entered from the keyboard or memory register, a "+," "-", "X" or "÷" key will result in a multiplication. The number being displayed will be multiplied by the number residing in the accumulator register. The result will be copied into the accumulator and displayed in the entry register. The mode register is updated as a function of the key depressed.

Operation of the "%" key while in multiply mode looks exactly the same as an "=" key except the decimal point of the display is shifted two positions to the left before the multiplication takes place.

## Operation in the Divide Mode

If the terminate flag is set, an "=" key will result in constant divide operation. The number being displayed is divided by the constant stored in the accumulator register. The accumulator and mode registers are not altered allowing for constant operations. Repeated depressions of the "=" key will result in repeated divisions by the constant. Thus, it is possible to raise a number to a negative power using the sequence "C," "C," "1," "÷," "No.," "=", "C," "C," "1," "÷," "No.," "=", "C," "C," "1," "÷," "No.," "=", "C," "C," "1," "÷," "No.," "=" etc.

If the terminate flag is not set, an "=" key will signal the end of a problem. The number in the accumulator register will be divided by the number being displayed. The result is transferred to the entry register and displayed. The terminate flag is set and the divisor is stored in the accumulator register.

If the terminate flag is not set, a "+," "-", "X" or "÷" key will result in a division. The number in the accumulator register will be divided by the number being displayed. The results are displayed in the entry register, and a copy of the result is stored in the accumulator. The mode register is modified to reflect the latest key entry.

Operation of the "%" key while in divide mode looks exactly the same as the "=" key except the decimal point of the display is shifted two positions to the left before division takes place.

### Error Conditions

If any of the operations mentioned above generates a number larger than 99999999, an error will occur. An error is indicated by displaying the 8 most significant digits and sign with all 9 decimal points. The first depression of the "C" key will clear the error condition, and all registers except the memory register.

It is not possible to generate an error during number entry. The ninth and subsequent digits entered are ignored.

### Leading Zero Suppression and Negative Sign

In order to conserve battery power, the MM5734 blanks leading zeros on all numbers displayed. No more than 7 decimal digits are permitted. The MM5734 displays 8 digits for positive numbers, and 7 digits negative, allowing the 8-digit position for a negative sign. The negative sign floats to the left of the most significant digit on numbers containing less than 7 digits.

### Power-On Condition

The MM5734 has an internal power-on clear circuit which clears all registers to zero, places the mode to add and sets the terminate flag. A zero and decimal point are displayed.

### Keyboard Bounce and Noise Rejection

The MM5734 is designed to interface with most low cost keyboards, which are often the least desirable from a false or multiple entry standpoint. A simple X-Y keyboard matrix can be used with all the necessary decoding accomplished within this MM5734.

A key closure is sensed by the calculator chip when one of the key inputs, K1, K2, K3, K4, is forced more negative than the logical low level specified in the electrical specifications. An internal counter is started as a result of the closure. The key operation begins after 11 word times if the key input is still at a logical low level. As long as the key is held down (and the key input remains low) no further entry is allowed. When the key input changes to a logical high level, the internal counter starts an 11 word timeout for key release. During both, entry and release timeouts, the key inputs are sampled during every display period for valid levels. If they are found invalid, the counter is reset and the calculator resumes scanning the keyboard.

The "Ready" signal indicates calculator status. When the calculator is in an "idle" state, the output is at a logical high level (near  $V_{SS}$ ). When a key is closed, the internal key entry timer is started. "Ready" remains high until the timeout is completed and the key entry is accepted as valid, then goes low. It remains at a logical low level until the function initiated by the key is completed and the key is released. The low-to-high transition indicates the calculator has returned to an idle state and a new key can be entered.

### Function of Keys

Some of the keys operate differently when in the data or number entry condition. The MM5734 switches to entry condition when entering numbers and leaves this condition after most function keys. The following paragraphs which discussed the action of "+," "-", "X," "÷" and "%" keys and the examples given in later sections will act in further explaining these actions.

### Clear Key, "CE/C"

While in the number entry condition, one depression will clear the entry register to zero. The machine then leaves the number entry state.

If the error condition is displayed, one depression will clear the error, and all registers except the memory register. The machine could not be in the number entry condition with the error flag set.

If the error flag is not set and the machine is not in the number entry condition, one depression of "CE/C" key will clear the entry and accumulator registers. It also places the machine in the add mode and sets the terminate flag. The memory register remains unchanged.

### Number Keys 0-9

If not in the number entry condition, a number key will clear the display and then enter the value of the key into the LSD. The digits are displayed as they are entered and the machine assumes the number entry condition.

If in the number entry condition, the entry register is shifted left one position and the key depressed is entered into the LSD. Digits entered after 8 digits positive, or 7 digits negative, will be ignored. Digits entered after 7 decimal digits are displayed will also be ignored.

### Square Root Key " $\sqrt{X}$ "

The square root key extracts the square root of the absolute value of the number being displayed in the entry register.

The mode of the calculator remains unchanged. This enables square root operations in the middle of chain calculations. For example:

| KEY            | DISPLAY             | KEY            | DISPLAY     | KEY            | DISPLAY |
|----------------|---------------------|----------------|-------------|----------------|---------|
| A              | A                   | A              | A           | 11             | 11      |
| $\sqrt{\quad}$ | $\sqrt{A}$          | X              | A           | +              | 11      |
| +              | $\sqrt{A}$          | B              | B           | 5              | 5       |
| B              | B                   | $\sqrt{\quad}$ | $\sqrt{B}$  | =              | 16      |
| $\sqrt{\quad}$ | $\sqrt{B}$          | =              | $A\sqrt{B}$ | $\sqrt{\quad}$ | 4       |
| =              | $\sqrt{A+\sqrt{B}}$ |                |             | 6              | 6       |
|                |                     |                |             | =              | 11      |
|                |                     |                |             | 9              | 9       |
|                |                     |                |             | $\sqrt{\quad}$ | 3       |
|                |                     |                |             | =              | 8       |

**Square**

Depression of the "X<sup>2</sup>" key squares the number in the display register, and displays the results. The mode of the calculator remains unchanged. This enables square operations in the middle of chain calculations.

**Inverse**

Depression of the "1/X" key takes the inverse of the number in the display register and displays the results. The

mode of the calculator remains unchanged. This enables inverse operations in the middle of chain calculations.

**F Key (Function Key)**

The "F" key translates the following key depressed to this code of the key below it, *Figure 2*, if it is a DOUBLE FUNCTION KEY. If the CLEAR KEY is the following key, the FUNCTION CONDITION is removed leaving the calculator in its previous mode.

**SQUARE PROBLEMS**

| KEYS           | DISPLAY   | COMMENTS                                |
|----------------|-----------|---|
| 72             | 7 2 .     |   |
| X <sup>2</sup> | 5 1 8 4 . | Squares display                         |
| 7              | 7 .       |   |
| CS             | - 7 .     |   |
| X <sup>2</sup> | 4 9 .     | Squares minus numbers                   |
| +              | 4 9 .     | Chain capabilities                      |
| 8              | 8 .       |   |
| X <sup>2</sup> | 6 4 .     | Squares display (mode unchanged)        |
| =              | 1 1 3 .   | Completes addition, terminates problems |

**INVERSE PROBLEMS**

| KEY | DISPLAY   | COMMENTS                               |
|-----|-----------|--|
| 5   | 5 .       |  |
| 1/X | 0 . 2     | Takes inverse of display               |
| 4   | 4 .       |  |
| 1/X | 0 . 2 5   | Takes inverse                          |
| +   |           |  |
| 8   | 8         |  |
| 1/X | 0 . 1 2 5 | Takes inverse (mode unchanged)         |
| =   | 0 . 3 7 5 | Completes addition, terminates problem |





## MM5737 calculator—8-digit, 4-function, floating decimal point general description

The MM5737 single-chip calculator was developed using a metal gate, P-channel, enhancement and depletion mode MOS process with low end-product cost as the primary objective. A complete calculator, as shown in *Figure 1*, requires only a keyboard, DM8864 digit driver, nine digit LED display and a 9V battery with appropriate hardware.

Keyboard decoding and key debounce circuitry, all clock and timing generation and output 7-segment display decoding are all included on-chip and require no external discrete components. LED segments can be driven directly from the MM5737 as it typically sources 8.0 mA of peak current. [Note: The typical duty cycle of each digit is 0.111; average LED segment current is therefore approximately 0.111 (8.0 mA), or 0.89 mA. Correspondingly, the worst-case average segment current is 0.111 (5.0 mA), or 0.555 mA.] The ninth digit is used for the negative sign of an eight digit number, and as an error indicator. Negative results less than eight digits will have the negative sign displayed one digit to the left of the most-significant-digit (MSD). The DM8864 digit driver is capable of indicating a low battery voltage condition by turning on the ninth digit decimal point—which does not hinder the actual calculator operation.

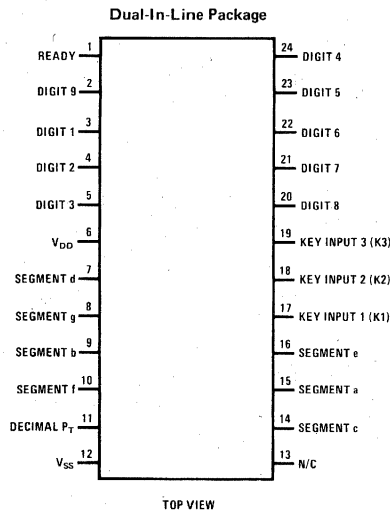
Leading and trailing zero suppression allows convenient reading of the right justified display and conserves power. Battery life is estimated to be 10 to 20 hours, depending on battery quality, operating schedule and the average number of digits displayed.

The Ready output signal is used to indicate when the calculator is performing an operation (Table I). It is useful in testing of the device or when the MM5737 is used as part of a larger system and is required to interface with other logic. (Another feature that is important in such applications is the ability to reduce the key debounce time from seven word times to four word times by forcing the Digit 7 output high during Digit 9 time.)

## features

- Full 8-digit entry and display capacity
- Four functions (+, -, x, ÷)
- Floating negative sign indicator is always displayed one digit to left of MSD
- Convenient algebraic key entry notation
- Floating point input and output
- Chain operations
- Direct 9V battery compatibility; low power
- Direct interface to LED segments
- No external components are required other than display digit driver, keyboard and LED display for complete calculator
- Overflow and divide-by-zero error indication
- Right justified entry and results, with leading and trailing zero suppression

## connection diagram



Order Number MM5737N  
See Package 22

**absolute maximum ratings**

Voltage at Any Pin Relative to  $V_{SS}$ . (All other pins connected to  $V_{SS}$ ).  $V_{SS} + 0.3V$  to  $V_{SS} - 12.0$   
 Ambient Operating Temperature  $0^{\circ}C$  to  $+70^{\circ}C$   
 Ambient Storage Temperature  $-55^{\circ}C$  to  $+150^{\circ}C$   
 Lead Temperature (Soldering, 10 seconds)  $300^{\circ}C$

**operating voltage range**

$6.5V \leq V_{SS} - V_{DD} \leq 9.5V$   
 ( $V_{SS}$  always defined as most positive supply voltage.)

**dc electrical characteristics**

| PARAMETER  | CONDITIONS   | MIN            | TYP           | MAX                              | UNITS          |
|--|--|----------------|---------------|----------------------------------|----------------|
| Operating Supply Current ( $I_{DD}$ )                              | $V_{DD} = V_{SS} - 9.5V$<br>$T_A = 25^{\circ}C$  |                | 8.0           | 14.0                             | mA             |
| Keyboard Scan Input Levels<br>(K1, K2 and K3)                      |  |                |               |                                  |                |
| Logical High Level ( $V_{IH}$ )                                    | $V_{SS} - 6.5V \leq V_{DD} \leq V_{SS} - 9.5V$   | $V_{SS} - 2.5$ |               |                                  | V              |
| Logical Low Level ( $V_{IL}$ )                                     | $V_{DD} = V_{SS} - 6.5V$<br>$V_{DD} = V_{SS} - 9.5V$   |                |               | $V_{SS} - 5.0$<br>$V_{SS} - 6.0$ | V<br>V         |
| Digit Output Levels (Note 1)                                       |  |                |               |                                  |                |
| Logical High Level ( $V_{OH}$ )                                    | $V_{SS} - 6.5V \leq V_{DD} \leq V_{SS} - 9.5V$   | $V_{SS} - 1.5$ |               |                                  | V              |
| Logical Low Level ( $V_{OL}$ )                                     | $V_{DD} = V_{SS} - 6.5V$<br>$V_{DD} = V_{SS} - 9.5V$   |                |               | $V_{SS} - 6.0$<br>$V_{SS} - 7.0$ | V<br>V         |
| Segment Output Current<br>( $S_a$ through $S_g$ and Decimal Point) | $T_A = 25^{\circ}C$<br>$V_{OUT} = V_{SS} - 3.8V, V_{DD} = V_{SS} - 6.5V$<br>$V_{OUT} = V_{SS} - 5.0V, V_{DD} = V_{SS} - 8.0V$<br>$V_{OUT} = V_{SS} - 6.5V, V_{DD} = V_{SS} - 9.5V$ | -5.0           | -8.0<br>-10.0 |                                  | mA<br>mA<br>mA |
| Ready Output Levels  |  |                |               |                                  |                |
| Logical High Level ( $V_{OH}$ )                                    | $I_{OUT} = -0.4$ mA  | $V_{SS} - 1.0$ |               |                                  | V              |
| Logical Low Level ( $V_{OL}$ )                                     | $I_{OUT} = 10\mu A$  |                |               | $V_{DD} + 1.0$                   | V              |

Note 1: With digit connected through key to K-line and to DM8864.

**ac electrical characteristics**

| PARAMETER   | CONDITIONS          | MIN  | TYP  | MAX | UNITS   |
|---|---------------------|------|------|-----|---------|
| Word Time (Figure 2)  |                     | 0.63 | 1.5  | 5.2 | ms      |
| Digit Time (Figure 2)   |                     | 70   | 170  | 580 | $\mu s$ |
| Interdigit Blanking Time (Figure 2)   |                     |      | 4    |     | $\mu s$ |
| Digit Output Transition Times<br>( $t_{RISE}$ and $t_{FALL}$ )  | $C_{LOAD} = 100$ pF |      | 2    |     | $\mu s$ |
| Keyboard Inputs High to Low<br>Transition Time After<br>Key Release   | $C_{LOAD} = 100$ pF |      | 4    |     | $\mu s$ |
| Ready Output Propagation Time<br>(Figure 3)   |                     |      |      |     |         |
| Low to High Level ( $t_{PDH}$ )   | $C_{LOAD} = 100$ pF | 60   | 140  | 480 | $\mu s$ |
| High to Low Level ( $t_{PDL}$ )   | $C_{LOAD} = 100$ pF | 0.06 | 0.5  | 1.5 | ms      |
| Key Bounce-out Stability Time<br>(The time a keyboard input must be<br>continuously higher than the<br>minimum logical high level to be<br>accepted as a key closure, or con-<br>tinuously lower than the maximum<br>logical low level to be accepted as a<br>key release.) |                     | 4.2  | 10.5 | 35  | ms      |
| Calculation Time for<br>$99999999 \div 1 = 99999999$  |                     | 90   | 220  | 760 | ms      |

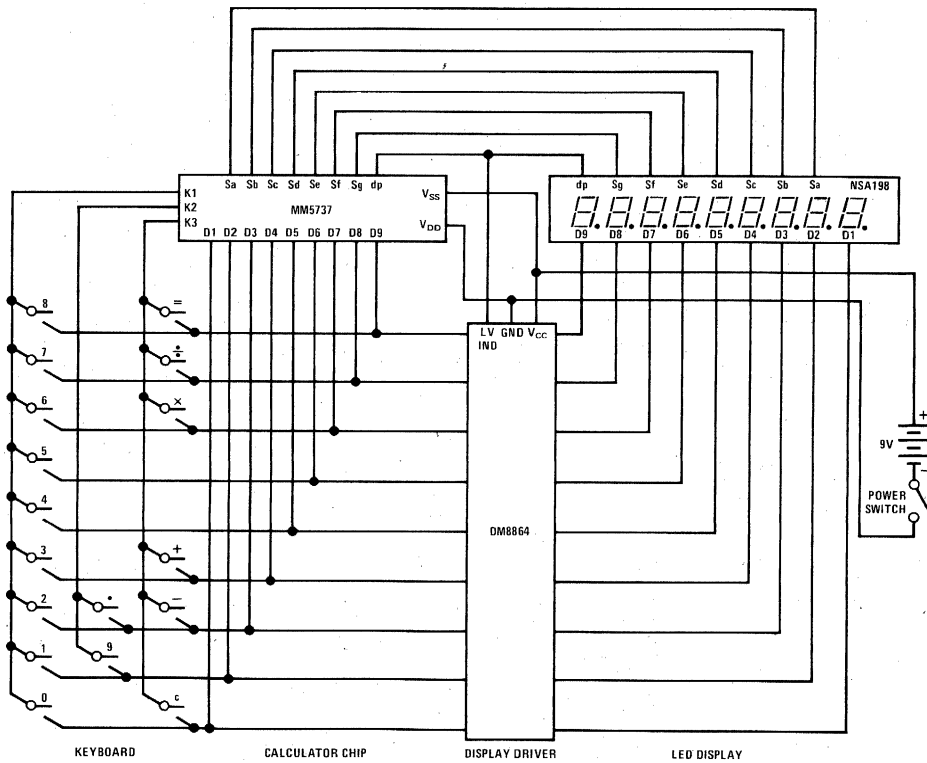


FIGURE 1. Complete Calculator Schematic

TABLE I. Ready Signal Description

| CALCULATOR FUNCTION                | READY SIGNAL  |
|------------------------------------|---|
| Idle                               | <i>READY</i> is quiescently at a Logical High Level ( $\sim V_{SS}$ ).  |
| Key Entry and Functional Operation | When a key is depressed, the bounce-out stability timer is initiated. <i>READY</i> remains high until the bounce-out time is completed and the key is entered, at which time it changes to a Logical Low Level ( $\sim V_{DD}$ ). |
| Key Release and Return to Idle     | <i>READY</i> remains low until key release is debounced and the calculator returns to the idle state. The low to high transition signals the return to idle. (The display may lag the <i>READY</i> by up to eight word times.)    |

**KEY INPUT BOUNCE AND NOISE REJECTION**

The MM5737 calculator chip is designed to interface with low cost keyboards, which are often the least desirable from a noise and false entry standpoint.

A key closure is sensed by the calculator chip when one of the Key Input Lines, K1, K2 or K3 is forced more positive than the Logical High Level specified in the Electrical Specifications. At the instant of closure, an internal "Key Bounce-out Stability Time" counter is started. Any significant voltage perturbation occurring on the switched key input during timeout will reset the timer. Hence, a key is not accepted as a valid entry until noise

or ringing has stopped and the stability time counter has timed out. Noise that persists will inhibit key entry indefinitely. Key release is timed in the same manner.

One of the popular types of low cost keyboards available, the elastomeric conductor type, has a key pressure versus contact resistance characteristic that can generate continuous noise during "teasing" or low pressure key depressions. The MM5737 defines a series contact resistance up to 50 kΩ as a valid key closure, providing an optimum interface to that type of keyboard as well as more conventional types.

## ERROR CONDITIONS

In the event of an overflow, the MM5737 will display an "E" in the leftmost digit and at least seven of the significant digits of the answer. Division by zero results in an "E" with eight trailing zeroes. Once in an error condition, all keys except the clear key are ignored.

## KEY OPERATIONS

### Clear Key

Operation after a number entry clears the entry and displays a previous result. Second depression clears all registers and displays a zero without decimal point in the LSD. Operation after a function key (+, -, x, ÷ or =) clears all registers and displays a zero without decimal point. Two depressions are always required after power is applied.

### Number Entries

First entry clears the display register and enters the number into the least significant digit (LSD) of the display register. Second through eighth entry shifts the display register left one digit and enters the number into the LSD. The ninth, and subsequent entries, are ignored and no error condition is generated. Because only seven positions are allowed to follow the decimal point, the eighth and subsequent entries after a decimal point entry are ignored.

## Decimal Point

First depression of this key in a number entry will enter a decimal point in the LSD position of the display register. Subsequent depressions of the decimal point key before any function key will be ignored.

## Add, Subtract, Multiply or Divide Keys

First depression after a number entry will terminate the entry, perform the previously recorded operation, if any, and record the function key depressed as the next operation to be performed after another number entry. Subsequent depressions of any function key, without an interceding number or decimal point entry will supersede the previous function as the next to be performed. After an equal key, the displayed result of the equal operation will be re-entered and the function key depressed will become the next operation to be performed after a number entry is followed by another function key (including equal).

## Equal

First depression after a number entry will terminate the entry, perform the previously recorded operation and record the fact that an equal key has been depressed. Depression after the add, subtract or divide keys, without an interceding number or decimal point entry, will be ignored. After a multiply key, the number being displayed will be squared.

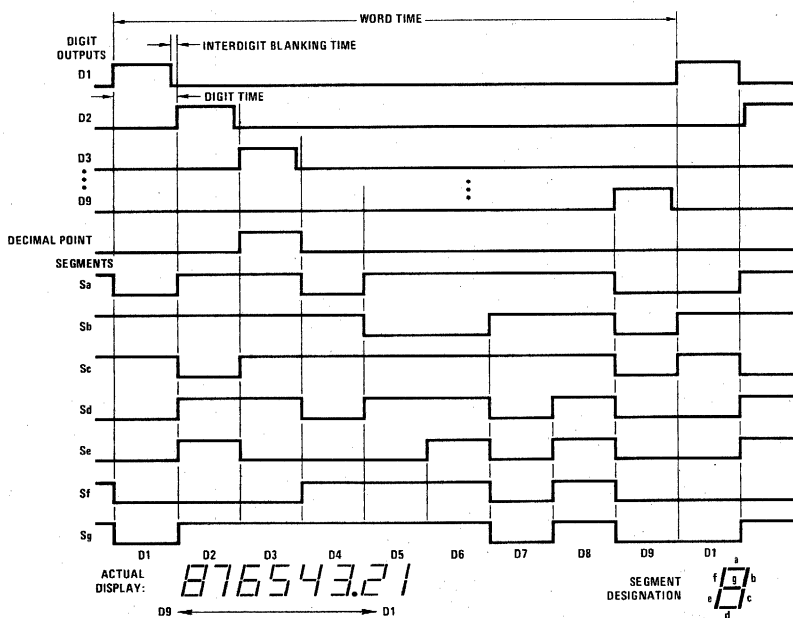


FIGURE 2. Display Timing Diagram

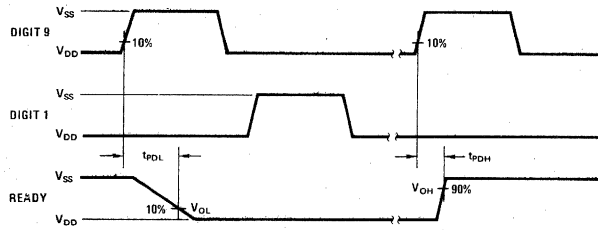


FIGURE 3. Ready Output Timing

sample problems

I. Single Calculations

5 x 3.14 = 15.7

| Key | Display | Comments                                |
|-----|---------|---|
| C   |         | Two clears are required after power-up. |
| C   | 0       |   |
| 5   | 5       |   |
| x   | 5       |   |
| 3   | 3       |   |
| .   | 3.      |   |
| 1   | 3.1     |   |
| 4   | 3.14    |   |
| =   | 15.7    |   |

II. Chain Calculations

A. 23.37 + 243.00 - 489.16 = -222.79

| Key                  | Display | Comments  |
|----------------------|---------|---|
| C                    |         |   |
| C                    | 0       |   |
| 23.37                | 23.37   |   |
| +                    | 23.37   |   |
| 243                  | 243     |   |
| x                    | 266.37  | Function key completes previously recorded "+" operation.                     |
| (Wrong Function Key) |         |   |
| -                    | 266.37  | Wrong "X" function key is updated to "-."                                     |
| 489.17               | 489.17  |   |
| C                    | 266.37  |   |
| 489.16               | 489.16  |   |
| =                    | -222.79 | Number entry error is cleared and corrected. Note the floating negative sign. |

B. Find square root of 169 using a modified Newton approximation method. Let N represent the squared number and X<sub>0</sub> the initial estimate. The first approximation, X<sub>1</sub>, is

$$X_1 = (N/X_0 + X_0)/2$$
 If X<sub>0</sub> is 15,  

$$X_1 = (169/15 + 15)/2$$

$$X_2 = (169/X_1 + X_1)/2$$

$$X_3 = (169/X_2 + X_2)/2, \text{ etc.}$$

| Key   | Display   | Comments                                |
|-------|-----------|---|
| C     |           |   |
| C     | 0         |   |
| 169   | 169       |   |
| ÷     | 169       |   |
| 15    | 15        |   |
| +     | 11.266666 |   |
| 15    | 15        |   |
| ÷     | 26.266666 |   |
| 2     | 2         |   |
| =     | 13.133333 | Result is X <sub>1</sub>                |
| 169   | 169       |   |
| ÷     | 169       |   |
| 13.13 | 13.13     | Four digits are conveniently remembered |

## sample problems (con't)

## II. Chain Calculations (continued)

| Key   | Display   | Comments   |
|-------|-----------|--|
| +     | 12.871287 |  |
| 13.13 | 13.13     |  |
| ÷     | 26.001287 |  |
| 2     | 2         |  |
| =     | 13.000643 | Result is $X_2$ , which is usually adequate. If more accuracy is required, continue the iteration. |

## III. Auto Squaring

A.  $5.25^2 = 27.5625$

| Key  | Display | Comments                               |
|------|---------|--|
| C    | 0       |  |
| C    | 5.25    |  |
| 5.25 | 5.25    |  |
| x    | 5.25    |  |
| =    | 27.5625 | Number in display register is squared. |

B.  $5.25^5 = 3988.3798$

| Key  | Display   | Comments               |
|------|-----------|------------------------|
| C    | 0         |                        |
| C    | 5.25      |                        |
| 5.25 | 5.25      |                        |
| x    | 5.25      |                        |
| =    | 27.5625   | Auto square = $5.25^2$ |
| x    | 27.5625   |                        |
| =    | 759.6914  | Auto square = $5.25^4$ |
| x    | 759.6914  |                        |
| 5.25 | 5.25      |                        |
| =    | 3988.3798 | Result is $5.25^5$     |



## MM5758 scientific calculator

### general description

The single-chip MM5758 Scientific Calculator is another MOS/LSI product from National Semiconductor using a metal-gate, P-channel enhancement/depletion mode technology to achieve low system cost. A complete calculator performs a wide range of complex scientific problems, yet consists of only the MM5758, two display driver ICs, the NSA5101 LED display, a keyboard and power supply (Figure 1). No discrete components are required.

An internal power-on clear circuit automatically clears all registers, including the storage memory and four-register operational stack, when power is initially applied to the chip.

The MM5758 performs trigonometric, logarithmic, exponentiation, power and square root functions simply by pressing a key. It computes and displays numbers over a range of  $\pm 9.9999999 \times 10^{\pm 99}$ . A four-register operational stack simplifies computation of problems with multi-nested terms and reverse polish entry notation provides a logical and consistent method of keying in even the most complex problems.

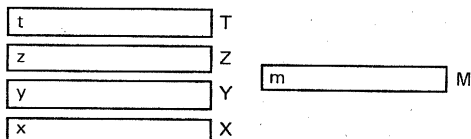
The displayed output has an eight digit mantissa with a two digit exponent; both the mantissa and exponent display an additional sign digit. Sign information is presented to the display by the calculator chip during a single digit time, but the NSA5101 display physically separates the two as shown in Figure 2.

All computed results greater than 99999999, or less than 0.1 are automatically converted to scientific notation. Trailing zero suppression of the mantissa allows convenient reading of the left justified display and conserves power. The exponent digits are blanked if no exponent is displayed. The most-significant-digit of the exponent is not blanked, even if it is a zero, when an exponent is being displayed. A low battery indication, activated by sensing circuitry in the DS8868, is included in the mantissa sign digit.

A Ready output signal is used to indicate calculator status. It is useful in providing synchronization information during testing and when the MM5758 is used with other logic; e.g., with the MM5766 Programmer.

Thirty-six keys are arranged within a four-by-eleven matrix (Table 1 and Figure 2). Dual function keys are not required.

The user has access to five registers designated X, Y, Z, T and M. X is the display and entry register and the bottom of a "push-up" operational stack that includes registers Y, Z and T.

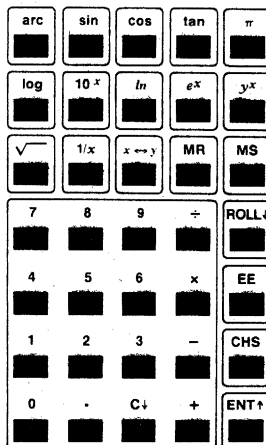


The contents of the storage register M are replaced with the contents of the X-register by using the "STO" key. The memory recall key, "RCL," copies M into register X without disturbing the value of M. M is cleared automatically at power-on or by storing a zero. All registers contain eight mantissa digits, two exponent digits and the sign information for each.

### features

- Enters, computes and displays numbers as large as  $\pm 9.9999999 \times 10^{99}$  and as small as  $\pm 1 \times 10^{-99}$
- Complete slide-rule capability
  - Arithmetic functions: +, -,  $\times$ ,  $\div$ ,  $1/x$ ,  $\sqrt{x}$
  - Logarithmic functions:  $\ln x$ ,  $\log x$ ,  $e^x$ ,  $10^x$
  - Power function:  $Y^X$
  - Trigonometric functions:  $\sin x$ ,  $\cos x$ ,  $\tan^{-1} x$ ,  $\arcsin x$ ,  $\arccos x$ ,  $\arctan x$
  - Other functions:  $\pi$ , exchange, change sign
- Reverse polish notation
- Four-register operational stack with roll capability
- Independent two key storage register
- Floating point input and output
- Power-on clear
- Designed-in low system cost
- Automatic display cutoff

### sample keyboard



**absolute maximum ratings**

Voltage at Any Pin Relative to  $V_{SS}$   $V_{SS} + 0.3V$  to  $V_{SS} - 12V$   
 (All other pins connected to  $V_{SS}$ )  
 Ambient Operating Temperature  $0^{\circ}C$  to  $+70^{\circ}C$   
 Ambient Storage Temperature  $-55^{\circ}C$  to  $+150^{\circ}C$   
 Lead Temperature (Soldering, 10 seconds)  $300^{\circ}C$

**operating voltage range**

$7.2V \leq V_{SS} - V_{DD} \leq 8.8V$   
 $V_{SS}$  is always the most positive supply voltage.

**dc electrical characteristics**

| PARAMETER   | CONDITIONS                                     | MIN            | TYP  | MAX            | UNITS   |
|---|--|----------------|------|----------------|---------|
| Operating Supply Current ( $I_{DD}$ )   | $V_{DD} = V_{SS} - 8.8V$ , $T_A = 25^{\circ}C$ |                | 12.0 | 20.0           | mA      |
| Keyboard Scan Input Levels<br>(K1 through K4)   |  |                |      |                |         |
| Logical High Level  |  | $V_{SS} - 2.5$ |      |                | V       |
| Logical Low Level   |  |                |      | $V_{DD} + 1.5$ | V       |
| Display Reset Input Levels  |  |                |      |                |         |
| Logical High Level  |  | $V_{SS} - 1.5$ |      |                | V       |
| Logical Low Level   |  |                |      | $V_{DD} + 1.5$ | V       |
| Encoded Digits Output Current<br>( $D_A$ through $D_D$ )  |  |                |      |                |         |
| Logical High Level ( $I_{OH}$ )   | $V_{OUT} = V_{DD} + 1.0V$                      | -0.5           |      | -2.50          | mA      |
| Logical Low Level ( $I_{OL}$ )  | $V_{OUT} = V_{DD}$                             |                |      | -50            | $\mu A$ |
| Low Voltage Indicator Level ( $V_{IH}$ )<br>(Digit $D_A$ must be forced to a $V_{IH}$<br>voltage level during the IDLE digit<br>time to cause Segment $S_b$ to be turned<br>"ON" at digit time D1.) |  | $V_{DD} + 2.8$ |      | $V_{SS}$       | V       |
| Segment and Decimal Point Output<br>Current ( $S_a$ through $S_g$ , DP)   |  |                |      |                |         |
| Logical High Level ( $I_{OH}$ )   | $V_{OUT} = V_{DD} + 5.4V$                      | -550           |      |                | $\mu A$ |
| Logical Low Level ( $I_{OL}$ )  | $V_{OUT} = V_{DD} + 1.5V$                      |                |      | -10            | $\mu A$ |
| Ready Output Levels   |  |                |      |                |         |
| Logical High Level ( $V_{OH}$ )   | $I_{OUT} = -0.4 mA$                            | $V_{SS} - 1.0$ |      |                | V       |
| Logical Low Level ( $V_{OL}$ )  | $I_{OUT} = 10\mu A$                            |                |      | $V_{DD} + 1.0$ | V       |

**ac electrical characteristics**

| PARAMETER  | CONDITIONS          | MIN | TYP  | MAX  | UNITS   |
|--|---------------------|-----|------|------|---------|
| Word Time (Figure 3)   |                     | 0.5 | 1.3  | 2.2  | ms      |
| Digit Time (Figure 3)  |                     | 42  | 108  | 183  | $\mu s$ |
| Interdigit Blanking Time (Figure 3)  |                     | 3.5 | 8.0  | 14.0 | $\mu s$ |
| Keyboard Scan Inputs (K1 through<br>K4) Low to High Transition Time<br>(during Interdigit Blanking Time),<br>( $t_{PDH}$ )   | $C_{LOAD} = 100 pF$ |     |      | 14.0 | $\mu s$ |
| Ready Output Propagation Time<br>(Figure 4)  |                     |     |      |      |         |
| Low to High Level ( $t_{PDH}$ )  | $C_{LOAD} = 100 pF$ | 30  |      | 115  | $\mu s$ |
| High to Low Level ( $t_{PDL}$ )  | $C_{LOAD} = 100 pF$ | 30  |      | 120  | $\mu s$ |
| Key Bounce-out Stability Time.<br>(The time a keyboard scan input,<br>K1, K2, K3 or K4, must be continu-<br>ously connected to a digit to be<br>accepted as a key closure, or lower<br>than the maximum Logical Low<br>Level to be accepted as a key<br>release.) (Figure 5) |                     | 3.5 | 9.1  | 15.4 | ms      |
| Display Cutoff Time<br>(The time after the last valid key<br>closure at which all digits except<br>the most-significant-digit of the<br>mantissa will be blanked.)   |                     |     | 50   |      | second  |
| Calculation Times  |                     |     |      |      |         |
| Square Root  |                     |     | 0.50 | 0.90 | second  |
| LOG X or LN X  |                     |     | 0.85 | 1.50 | second  |
| $10^x$ or $e^x$  |                     |     | 1.00 | 1.75 | second  |
| $y^x$  |                     |     | 1.80 | 3.10 | second  |
| SIN X, COS X or TAN X  |                     |     | 1.30 | 2.20 | second  |
| ARC SIN X or ARC COS X   |                     |     | 1.40 | 2.40 | second  |
| ARC TAN X  |                     |     | 0.85 | 1.50 | second  |



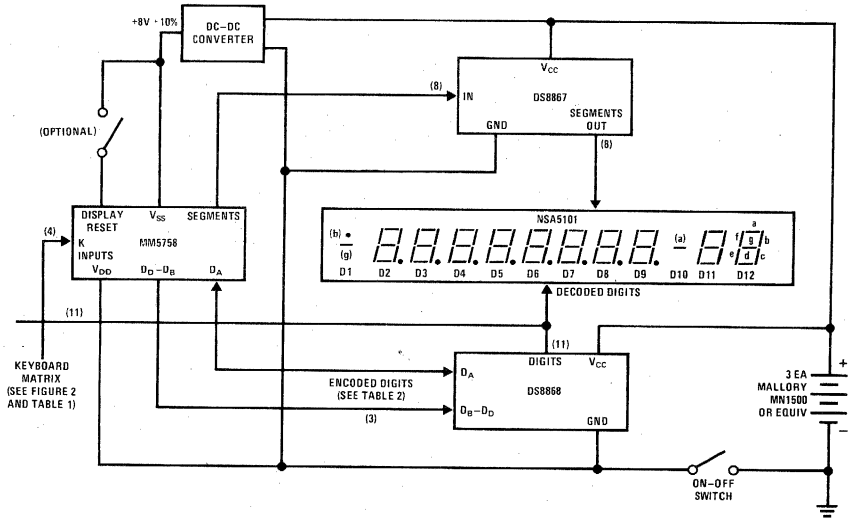


FIGURE 1. Block Diagram of Complete Handheld Scientific Calculator Using MM5758.

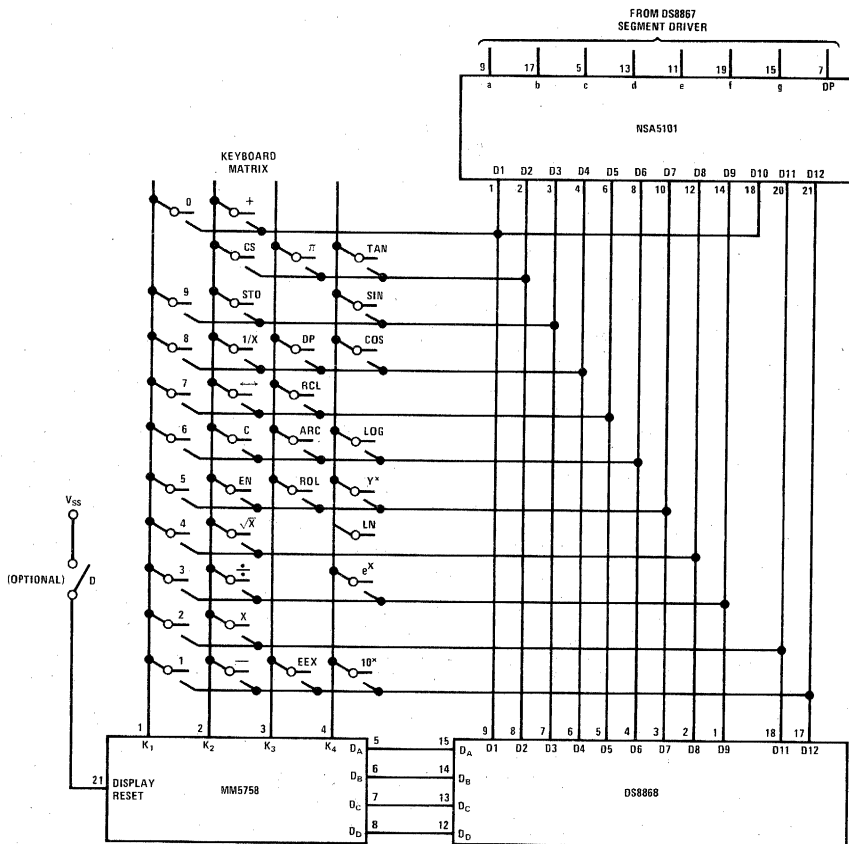


FIGURE 2. Digits Interconnection Detail For Scientific Calculator.

## SCALING OF DISPLAYED NUMBERS

Computed results are displayed in either floating point or scientific notation. Answers in the range between 0.1 and 99999999. are displayed in floating point format; otherwise scientific notation is used. For example: 123.4 is displayed as written; whereas, 123.4 million would appear as  $1.234 \times 10^8$ . The smallest magnitude displayed is  $\pm 1.0 \times 10^{-99}$ , and the largest  $\pm 9.9999999 \times 10^{99}$ . Number entries are always displayed in the manner entered until "ENT" is depressed, after which they appear scaled.

## KEYBOUNCE AND NOISE REJECTION

The MM5758 is designed to interface with most low-cost keyboards, which are often the least desirable from a false or multiple entry standpoint.

When a key closure is sensed by the calculator, an internal timeout is started. Any voltage perturbations of significant magnitude which occur on the Key Input Lines (K1, K2, K3 or K4) during the timeout will reset the timer to zero. A key is accepted as valid after a noise-free timeout period; noise that persists indefinitely will inhibit key entry. Key releases are checked in the same manner.

The internal timeout period (Key Bounceout Stability Time) is normally seven word times. By forcing digit D<sub>B</sub> to a Logical High State during Digit Timing State D12 time (Table II), the Stability Time is reduced to four word times.

## AUTOMATIC DISPLAY CUTOFF

If no key is depressed for approximately 50 seconds, an internal automatic display cutoff circuit will modify the encoded digit output sequence sent to the DS8868 Decoder/Driver to be the blanking input code (Table II) during all digit times except the most-significant of the mantissa (D2). Thus, in the cutoff power saving mode, only one digit is displayed. The blanking code has been selected to also be the minimum power case for the DS8868.

Any of the D11 ("CS," "π" or "TAN") keys will restore the display; to restore the display without modifying the status of the calculator use the "CS" key twice, or momentarily force the Display Reset high. The automatic display cutoff feature can be disabled by hardwiring the Display Reset pin to V<sub>SS</sub>.

## READY SIGNAL OPERATION

The Ready signal indicates calculator status. When the calculator is in an "idle" state the output is at a Logical High Level (near V<sub>SS</sub>). When a key is closed, the internal key entry timer is started. Ready remains high until the time-out is completed and the key entry is accepted as valid, then goes low as indicated in Figures 4 and 5. It remains at a Logical Low Level until the function initiated by the key is completed and the key is released and timed out. The low to high transition indicates the calculator has returned to an idle state and a new key can be entered.

TABLE I. Keyboard Matrix

| SWITCH INPUTS | DIGIT TIMING STATES |     |     |     |     |     |                |            |                |     |                 |  |
|---------------|---------------------|-----|-----|-----|-----|-----|----------------|------------|----------------|-----|-----------------|--|
|               | D1                  | D2  | D3  | D4  | D5  | D6  | D7             | D8         | D9             | D11 | D12             |  |
| K1            | 0                   |     | 9   | 8   | 7   | 6   | 5              | 4          | 3              | 2   | 1               |  |
| K2            | +                   | CS  | STO | 1/X | ↔   | C   | EN             | $\sqrt{x}$ | ÷              | X   | -               |  |
| K3            |                     | π   | .   | .   | RCL | ARC | ROL            |            |                |     | EEX             |  |
| K4            |                     | TAN | SIN | COS |     | LOG | Y <sup>x</sup> | LN         | e <sup>x</sup> |     | 10 <sup>x</sup> |  |

TABLE II. Digits Timing State Truth Table

| ENCODED DIGITS |                |                |                | DECODED DIGIT STATES (DS8868) |    |    |    |    |    |    |    |    |     |     |     |
|----------------|----------------|----------------|----------------|-------------------------------|----|----|----|----|----|----|----|----|-----|-----|-----|
| D <sub>D</sub> | D <sub>C</sub> | D <sub>B</sub> | D <sub>A</sub> | D1                            | D2 | D3 | D4 | D5 | D6 | D7 | D8 | D9 | D10 | D11 | D12 |
| H              | H              | L              | L              | ON                            |    |    |    |    |    |    |    |    |     |     |     |
| H              | H              | H              | H              |                               | ON |    |    |    |    |    |    |    |     |     |     |
| L              | H              | H              | H              |                               |    | ON |    |    |    |    |    |    |     |     |     |
| H              | L              | H              | H              |                               |    |    | ON |    |    |    |    |    |     |     |     |
| L              | H              | L              | H              |                               |    |    |    | ON |    |    |    |    |     |     |     |
| H              | L              | H              | L              |                               |    |    |    |    | ON |    |    |    |     |     |     |
| H              | H              | L              | H              |                               |    |    |    |    |    | ON |    |    |     |     |     |
| L              | H              | H              | L              |                               |    |    |    |    |    |    | ON |    |     |     |     |
| L              | L              | H              | H              |                               |    |    |    |    |    |    |    | ON |     |     |     |
| H              | H              | H              | L              |                               |    |    |    |    |    |    |    |    | ON  |     |     |
| L              | L              | L              | H              |                               |    |    |    |    |    |    |    |    |     | ON  |     |
| H              | L              | L              | L              |                               |    |    |    |    |    |    |    |    |     |     | ON  |
| L              | L              | L              | L              |                               |    |    |    |    |    |    |    |    |     |     |     |

ON ≡ DS8868 output buffer will sink ≥ 110 mA @ V<sub>OUT</sub> ≤ 0.4V

H ≡ Logical High State (~V<sub>SS</sub>)

L ≡ Logical Low State (~V<sub>DD</sub>)

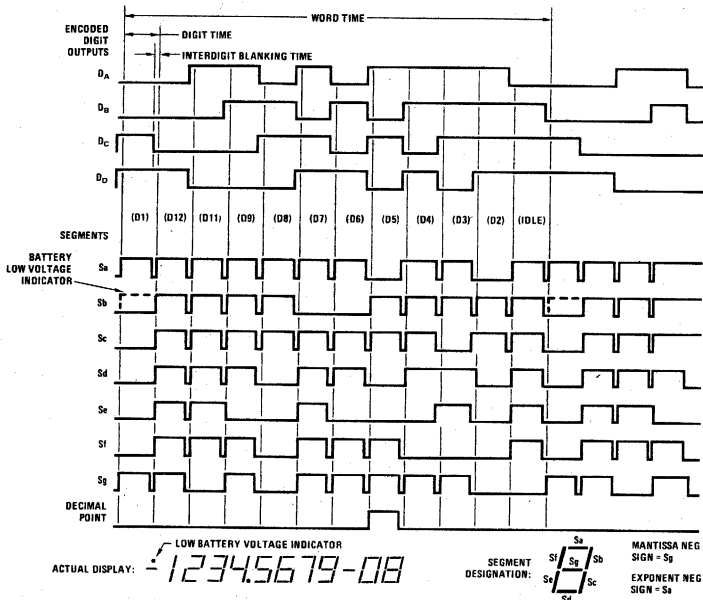


FIGURE 3. Display Timing Diagram

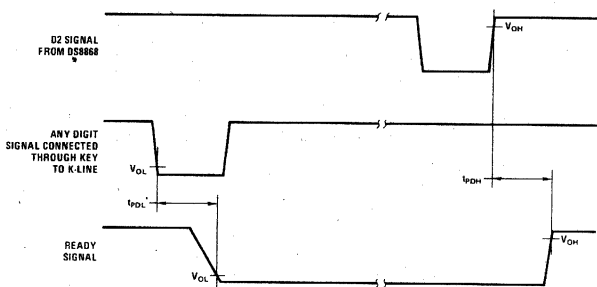


FIGURE 4. Ready Timing

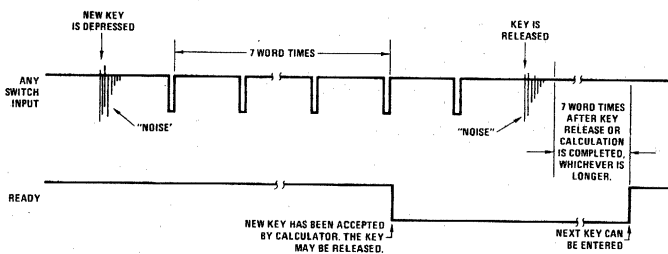


FIGURE 5. Functional Description of Ready Signal and Key Entry.

**ERROR INDICATION**

In the event of an operating error, the MM5758 will display all zeros and decimal points. Improper operations or calculations are summarized in Table III. All square root computations are of the absolute value of X; therefore, the square root of a negative number is not considered an invalid operation.

An error condition is reset by pressing "C." All registers in the stack are lost and replaced with zeros. M is saved.

TABLE III. Conditions for Error Indication

| FUNCTION               | CONDITION (REGISTER X $\equiv$ X) |
|------------------------|-----------------------------------|
| $\div$ or $1/X$        | $ X  = 0$                         |
| $Y^X$                  | $Y < 0, X \text{ LOG } Y > 99$    |
| $e^X$                  | $ X  > 230$                       |
| $10^X$                 | $ X  > 99$                        |
| LOG X or LN X          | $X \leq 0$                        |
| SIN X, COS X, TAN X    | $X < 0$ or $X > 90$               |
| ARC SIN X or ARC COS X | $X < 0$ or $X > 1$                |
| ARC TAN X              | $X < 0$                           |

**KEY OPERATIONS**

**Clear Key, "C"**

Clears X, pushes Y down to X, Z to Y, T to Z and places a zero in T. Subsequent depressions perform the same operation; thus, four "C" depressions will clear a completely full stack. If the display indicates an error condition exists, the "C" key clears X, Y, Z and T. Storage memory M is not affected by any "C" operation.

**Number Entries**

The first numeral of a number entry following any function, other than "EN," raises the stack and T is lost. Numerals are entered and displayed from left to right. Following "EN" the first number entry is placed in X without affecting the rest of the stack. Ninth and subsequent entries of the mantissa are ignored; third and subsequent entries of the exponent are entered as a new least-significant-digit, and the previous most-significant-digit is lost.

**Decimal Point, "."**

Places a decimal point on the right side of the least-significant-digit being displayed during entry of the mantissa. It is invalid during exponent entry and clears the X-register to zero (starting a new number entry).

**Change Sign Key, "CS"**

Changes the sign of X. In the exponent entry mode, it changes the exponent sign. It does not terminate entry and therefore can be depressed at any time during the entry mode. Multiple depressions are allowed.

**Enter Key, "EN"**

Register T is lost, Y and Z are pushed up and X is copied into Y.

**THE FOUR FUNCTION KEYS, "+," "-", "x," and "÷"**

|                     |                           |   |
|---------------------|---------------------------|---|
| Add key, "+" :      | $Y + X \rightarrow X$     | } $Z \rightarrow Y$<br>$T \rightarrow Z$<br>$O \rightarrow T$ |
| Subtract key, "-" : | $Y - X \rightarrow X$     |   |
| Multiply key, "x" : | $Y \cdot X \rightarrow X$ |   |
| Divide key, "÷" :   | $Y \div X \rightarrow X$  |   |

**Pi Key, "π"**

Register T is lost; X, Y and Z are pushed up in the stack and the constant 3.1415927 is placed in X.

**Exchange Key, "↔"**

Registers X and Y are exchanged; other registers are not affected.

**Inverse Trigonometric Key, "ARC"**

Preceding one of the three trigonometric keys, "SIN," "COS" or "TAN," it conditions the calculator to determine the angle in degrees of the value in register X. "ARC" followed by any key other than one of the trigonometric keys will be ignored.

**Enter Exponent Key, "EEX"**

Puts calculator in exponential entry mode. "EEX" must be preceded by a number (mantissa), or it will be ignored. A decimal point is an invalid entry that changes X to zero.

**Trigonometric Keys, "SIN," "COS," and "TAN"**

Assumes the value of X is an angle in degrees and computes the indicated trigonometric function, replacing X with the result. Register T is replaced by a zero; M, Z and Y are not affected. Following "ARC," the trigonometric keys determine the angle represented by the function in X, and replace X with that value in degrees. T is replaced by a zero; M, Z and Y are unchanged.

**Reciprocal Key, "1/X"**

A non-zero value of X is replaced by its reciprocal. Registers Y, Z, T and M are unaltered.

**Square Root Key, "√X"**

The absolute value of X is replaced by its square root. Registers Y, Z, T and M are not altered.

**Logarithmic Keys, "LN" and "LOG"**

These keys replace the value of X by its natural or common logarithm, respectively. Registers Z and T become zero. Registers Y and M are not affected.

**Power Key, "Y^X"**

Determines the value of Y raised to the power of X and replaces X with that result. Registers Y, Z and T become zero. M is not affected.

**Exponential Keys, "e^X" and "10^X"**

The constants 2.7182812 or 10.0 are raised to the power of X, respectively, and placed in X. Register T becomes zero; Y, Z and M are not affected.

**Memory Keys, "STO" and "RCL"**

The memory store key, "STO," copies the value of X (including sign) into storage register M, without altering the stack. The recall key, "RCL," transfers Z to T, Y to Z and X to Y, then copies M into X. Storage register M is not changed and T is lost. Both "STO" and "RCL" terminate an entry mode.

**Roll Stack Key, "ROL"**

Repositions the data within the operational stack by transferring X to T, Y to X, Z to Y and T to Z. After four successive depressions each of the four data positions has been viewed and returned to its original location.

**Range and Accuracy of Functions**

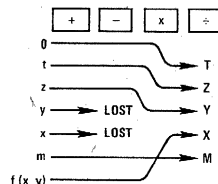
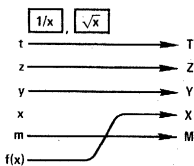
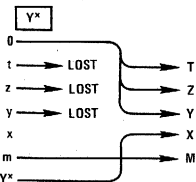
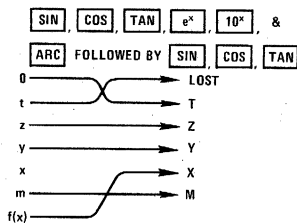
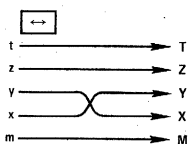
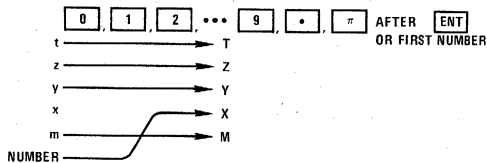
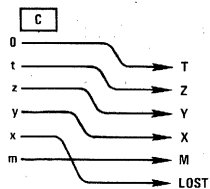
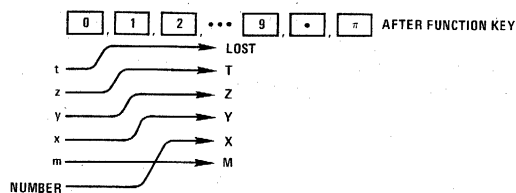
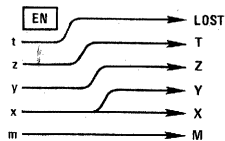
The smallest magnitude that can be displayed is  $\pm 10^{-99}$  and the total range is  $\pm 9.9999999 \times 10^{99}$ . Table IV summarizes range and accuracy of the MM5758 functions.

TABLE IV.

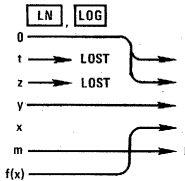
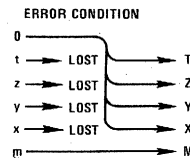
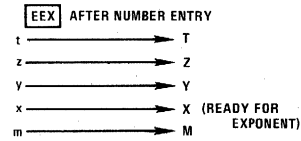
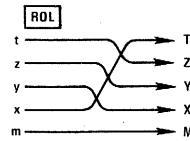
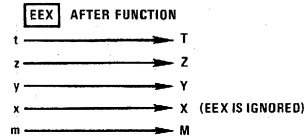
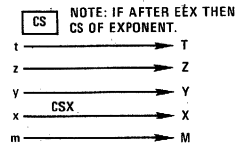
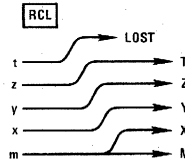
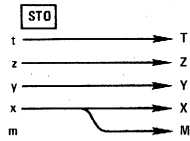
| FUNCTION         | RANGE   | ACCURACY                            |
|------------------|---|-------------------------------------|
| +, -, x, ÷, 1/X  | $\pm 1 \times 10^{-99} \leq X \leq \pm 9.9999999 \times 10^{99}$  | ±1 in first non-zero digit from LSD |
| $\sqrt{X}$       | $ \pm 1 \times 10^{-99}  \leq X \leq  \pm 9.9999999 \times 10^{99} $  | ±2 in first non-zero digit from LSD |
| LOG X            | $0 < X \leq +9.9999999 \times 10^{99}$  | 7 digits                            |
| LN X             | $0 < X \leq +9.9999999 \times 10^{99}$  | 7 digits                            |
| $10^x$           | $\pm 1 \times 10^{-99} \leq X \leq +99$   | 5 digits                            |
| $e^x$            | $\pm 1 \times 10^{-99} \leq X \leq +230$  | 5 digits                            |
| $Y^x$            | Y > 0, with X and Y values such that the results will be $+1 \times 10^{-99} \leq X \leq +9.9999999 \times 10^{99}$ | 5 digits                            |
| SIN, COS, TAN    | $0 \leq X \leq +90$   | 7 digits                            |
| ARC SIN, ARC COS | $0 \leq X \leq +1$  | 5 digits                            |
| ARC TAN          | $0 \leq X \leq 9.9999999 \times 10^{99}$  | 5 digits                            |

\*Error in last useable digit is less than 5

Summary of Stack Operations



Summary of Stack Operations (con't)



SAMPLE PROBLEMS

Problem No. 1  $1.345 + 7120 - 14251 = ?$

| KEY ENTRY | DISPLAY X | Y        | Z | T | MEMORY M | COMMENTS                                 |
|-----------|-----------|----------|---|---|----------|--|
| POWER ON  | 0.        | 0        | 0 | 0 | 0        | Power on clears all registers and memory |
| 1         | 1         |          |   |   |          |  |
| .         | 1.        |          |   |   |          |  |
| 3         | 1.3       |          |   |   |          |  |
| 4         | 1.34      |          |   |   |          |  |
| 5         | 1.345     |          |   |   |          |  |
| ENTER     | 1.345     | 1.345    |   |   |          | Copy X in Y                              |
| 7         | 7         |          |   |   |          |  |
| 1         | 71        |          |   |   |          |  |
| 2         | 712       |          |   |   |          |  |
| 0         | 7120      |          |   |   |          |  |
| +         | 7121.345  | 0        |   |   |          | Add X and Y                              |
| 1         | 1         | 7121.345 |   |   |          |  |
| 7         | 17        |          |   |   |          |  |
| CLR       | 7121.345  | 0        |   |   |          | Clear entry, pushes down stack           |
| 1         | 1         | 7121.345 |   |   |          |  |
| 4         | 14        |          |   |   |          |  |
| 2         | 142       |          |   |   |          |  |
| 5         | 1425      |          |   |   |          |  |
| 1         | 14251     | 7121.345 | 0 | 0 | 0        |  |
| -         | -7129.655 | 0        | 0 | 0 | 0        | Subtract X from Y                        |

Note: It is not necessary to clear calculator for the next problem.

Problem No. 2  $(3.73 \times 10^{-7}) \times (-15 \times 10^{24}) \div 27357.3 = ?$

| KEY ENTRY | DISPLAY X  | STACK REGISTERS |           |     |           | MEMORY M | COMMENTS   |
|-----------|------------|-----------------|-----------|-----|-----------|----------|--|
|           |            | Y               | Z         | T   |           |          |  |
| 3         | 3          | -7129.655       | 0         | 0   | 0         |          | The new number entry pushes the answer of the last problem up in the stack |
| .         | 3.         |                 |           |     |           |          |  |
| 7         | 3.7        |                 |           |     |           |          |  |
| 3         | 3.73       |                 |           |     |           |          |  |
| EEX       | 3.73       |                 |           |     |           |          | Prepare for exponent entry   |
| 7         | 3.73       | 07              |           |     |           |          |  |
| CHS       | 3.73       | -07             |           |     |           |          | Change sign of exponent  |
| ENTER     | 3.73       | -07             | 3.73      | -07 | -7129.655 |          |  |
| 1         | 1          |                 |           |     |           |          |  |
| 5         | 15         |                 |           |     |           |          |  |
| CHS       | -15        |                 |           |     |           |          | Change sign of mantissa  |
| EEX       | -15        |                 |           |     |           |          |  |
| 2         | -15        | 02              |           |     |           |          |  |
| 4         | -15        | 24              |           |     |           |          |  |
| x         | -5.595     | 18              | -7129.655 | 0   | 0         | 0        | Multiply X and Y   |
| 2         | 2          |                 | -5.595    | 18  | -7129.655 | 0        |  |
| 7         | 27         |                 |           |     |           |          |  |
| 3         | 273        |                 |           |     |           |          |  |
| 5         | 2735       |                 |           |     |           |          |  |
| 7         | 27357      |                 |           |     |           |          |  |
| .         | 27357.     |                 |           |     |           |          |  |
| 3         | 27357.3    |                 |           |     |           |          |  |
| ÷         | -2.0451579 | 14              | -7129.655 | 0   |           |          | Divide Y by X  |
| CLR       | -7129.655  |                 | 0         |     |           |          | Clear Answer   |
| CLR       | 0.         |                 | 0         |     | 0         | 0        | Clear answer from problem 1  |

Note: This is not necessary. It is done here to avoid confusion of stack operation in the next problem.

Problem No. 3  $\sqrt{10.3(3^2 + 4^2)(5^2 + 6^2)}$

| KEY ENTRY | DISPLAY X | STACK REGISTERS |       |       |   | MEMORY M | COMMENTS   |
|-----------|-----------|-----------------|-------|-------|---|----------|--|
|           |           | Y               | Z     | T     |   |          |  |
| 10.3      | 10.3      | 0               | 0     | 0     | 0 |          |  |
| ENTER     | 10.3      | 10.3            |       |       |   |          | The "Roll" key can be used to examine the stack. It is not necessary for the solution. |
| 3         | 3         | 10.3            |       |       |   |          |  |
| ENTER     | 3.        | 3               | 10.3  |       |   |          | Register contents displayed:   |
| ROLL      | 3.        | 10.3            | 0     | 3     |   |          | Y  |
| ROLL      | 10.3      | 0               | 3     | 3     |   |          | Z  |
| ROLL      | 0.        | 3               | 3     | 10.3  |   |          | T  |
| ROLL      | 3.        | 3               | 10.3  | 0     |   |          | X  |
| x         | 9.        | 10.3            | 0     | 0     |   |          | 3 <sup>2</sup>   |
| 4         | 4         | 9               | 10.3  | 0     |   |          |  |
| ENTER     | 4.        | 4               | 9     | 10.3  |   |          |  |
| x         | 16.       | 9               | 10.3  | 0     |   |          | 4 <sup>2</sup>   |
| +         | 25.       | 10.3            | 0     | 0     |   |          | (3 <sup>2</sup> + 4 <sup>2</sup> )   |
| x         | 257.5     | 0               | 0     | 0     | 0 |          | 10.3(3 <sup>2</sup> + 4 <sup>2</sup> )   |
| 5         | 5         | 257.5           | 0     | 0     | 0 |          |  |
| ENTER     | 5.        | 5               | 257.5 |       |   |          |  |
| x         | 25.       | 257.5           | 0     |       |   |          | 5 <sup>2</sup>   |
| 6         | 6         | 25.             | 257.5 |       |   |          |  |
| ENTER     | 6.        | 6               | 25    | 257.5 |   |          |  |
| x         | 36.       | 25              | 257.5 | 0     |   |          | 6 <sup>2</sup>   |
| +         | 61.       | 257.5           | 0     |       |   |          | (5 <sup>2</sup> + 6 <sup>2</sup> )   |
| x         | 15707.5   | 0               |       |       |   |          | 10.3(3 <sup>2</sup> + 4 <sup>2</sup> )(5 <sup>2</sup> + 6 <sup>2</sup> )               |
| √X        | 125.32956 | 0               | 0     | 0     | 0 |          | $\sqrt{10.3(3^2 + 4^2)(5^2 + 6^2)}$  |

**Problem No. 4**  $1 + \frac{1}{2!}X + \frac{1}{3!}X^2 = ?$ ,  $X = -0.15$

| KEY ENTRY     | DISPLAY X | STACK REGISTERS |           |           | MEMORY M | COMMENTS  |
|---------------|-----------|-----------------|-----------|-----------|----------|---|
|               |           | Y               | Z         | T         |          |   |
| 1             | 1         | 125.32956       | 0         | 0         | 0        |   |
| ENTER         | 1.        | 1               | 125.32956 |           |          |   |
| 2             | 2         |                 |           |           |          | 2!  |
| $\frac{1}{X}$ | 0.5       |                 |           |           |          | $\frac{1}{2!}$  |
| 0.15 CHS      | -0.15     | 0.5             | 1         | 125.32956 |          | X   |
| STO           | -0.15     |                 |           |           | -0.15    | Store X for use later in the problem  |
| X             | -7.5      | -02             | 1         | 125.32956 | 0        | $\frac{1}{2!}X$   |
| +             | 0.925     | 125.32956       | 0         |           |          | $1 + \frac{1}{2!}X$   |
| 3             | 3         | 0.925           | 125.32956 |           |          |   |
| ENTER         | 3.        | 3               | 0.925     | 125.32956 |          |   |
| 2             | 2         |                 |           |           |          |   |
| X             | 6.        | 0.925           | 125.32956 | 0         |          | 3!  |
| $\frac{1}{X}$ | 0.1666666 | 0.925           | 125.32956 | 0         | -0.15    | $\frac{1}{3!}$  |
| RCL           | -0.15     | 0.1666666       | 0.925     | 125.32956 | -0.15    | X   |
| ENTER         | -0.15     | -0.15           | 0.1666666 | 0.925     |          | Answer to last problem is lost here   |
| X             | 2.25      | -02             | 0.1666666 | 0.925     | 0        | $X^2$   |
| X             | 3.7499985 | -03             | 0.925     | 0         |          | $\frac{1}{3!}X^2$   |
| +             | 0.9287499 | 0               |           |           |          | $1 + \frac{1}{2!}X + \frac{1}{3!}X^2$   |
| CLR           | 0         |                 |           |           |          |   |
| RCL           | -0.15     | 0               | 0         | 0         | -0.15    | Notice that the clear does not affect the memory register. Memory is changed only by storing another value or by power off. |

**Problem No. 5**  $\pi(21) = ?$   $21^2 (\pi) = ?$

| KEY ENTRY | DISPLAY X | STACK REGISTERS |           |       | MEMORY M | COMMENTS    |
|-----------|-----------|-----------------|-----------|-------|----------|-------------|
|           |           | Y               | Z         | T     |          |             |
| $\pi$     | 3.1415927 | -0.15           | 0         | 0     | -0.15    |             |
| 21        | 21        | 3.1415927       | -0.15     |       |          |             |
| X         | 65.973446 | -0.15           | 0         |       |          | $\pi(21)$   |
| 21        | 21        | 65.973446       | -0.15     |       |          |             |
| ENTER     | 21.       | 21              | 65.973446 | -0.15 |          |             |
| X         | 441.      | 65.973446       | -0.15     | 0     |          | $21^2$      |
| $\pi$     | 3.1415927 | 441             | 65.973446 | -0.15 |          |             |
| X         | 1385.4423 | 65.973446       | -0.15     | 0     | -0.15    | $21^2(\pi)$ |

**Problem No. 6** Example using Exchange and Reciprocal keys.

| KEY ENTRY     | DISPLAY X      | STACK REGISTERS |           |           | MEMORY M | COMMENTS  |
|---------------|----------------|-----------------|-----------|-----------|----------|---|
|               |                | Y               | Z         | T         |          |   |
| 5             | 5              | 1385.4423       | 65.973446 | -0.15     | -0.15    |   |
| ENTER         | 5.             | 5               | 1385.4423 | 65.973446 |          |   |
| 1             | 1              |                 |           |           |          |   |
| EXCH          | 5.             | 1               |           |           |          |   |
| $\div$        | 0.2            | 1385.4423       | 65.973446 | 0         |          |   |
| 5             | 5              | 0.2             | 1385.4423 | 65.973446 |          |   |
| $\frac{1}{X}$ | 0.2            | 0.2             | 1385.4423 | 65.973446 |          | Compare the answers obtained by exchanging X and Y. In this case, they are identical. |
| EXCH          | 0.2            | 0.2             | 1385.4423 | 65.973446 |          |   |
| EXCH          | 0.2            | 0.2             | 1385.4423 | 65.973446 |          |   |
| -             | 0.             | 1385.4423       | 65.973446 | 0         |          | Compare by subtracting zero error   |
| $\frac{1}{X}$ | 0.0.0.0.0.0.0. | 0               | 0         | 0         |          | Divide by zero. Error clears all registers.   |
| CLR           | 0.             | 0               | 0         | 0         | -0.15    | After clearing an error, all registers are zero. Memory is not disturbed.             |



**Problem No. 7** Example using "10<sup>x</sup>" and "LOG" keys

| KEY ENTRY       | DISPLAY X | STACK REGISTERS |           |           |           | MEMORY M | COMMENTS   |
|-----------------|-----------|-----------------|-----------|-----------|-----------|----------|--|
|                 |           | Y               | Z         | T         |           |          |  |
| 1.2345678       | 1.2345678 | 0               | 0         | 0         | -0.15     |          |  |
| STO             | 1.2345678 |                 |           |           | 1.2345678 |          | Store original value   |
| 10 <sup>x</sup> | 17.161995 |                 |           |           |           |          |  |
| LOG             | 1.2345678 |                 |           |           |           |          |  |
| RCL             | 1.2345678 | 1.2345678       |           |           |           |          |  |
| EXCH            | 1.2345678 |                 |           |           |           |          | Compare answer to original value                                     |
| EXCH            | 1.2345678 |                 |           |           |           |          |  |
| 4               | 4         |                 | 1.2345678 |           |           |          | Fill the stack   |
| ENTER           | 4.        | 4               |           | 1.2345678 |           |          |  |
| 3               | 3         |                 |           |           |           |          |  |
| ENTER           | 3.        | 3               | 4         |           |           |          |  |
| 2               | 2         |                 |           |           |           |          |  |
| ENTER           | 2.        | 2               | 3         | 4         |           |          |  |
| 1               | 1         | 2               | 3         | 4         | 1.2345678 |          |  |
| 10 <sup>x</sup> | 10.       | 2               | 3         | 0         | 1.2345678 |          | Notice that "T" is lost (same for 10 <sup>x</sup> , e <sup>x</sup> ) |
| 4               | 4         | 10.             | 2         | 3         |           |          |  |
| ENTER           | 4.        | 4               | 10.       | 2         |           |          |  |
| 3               | 3         |                 |           |           |           |          |  |
| ENTER           | 3.        | 3               | 4         | 10        |           |          |  |
| 2               | 2         |                 |           |           |           |          |  |
| ENTER           | 2.        | 2               | 3         | 4         |           |          |  |
| 1               | 1         |                 |           |           |           |          |  |
| LOG             | 2.2       | -07             | 2         | 0         | 1.2345678 |          | Notice that "Z" and "T" are lost (same for LOG, LN)                  |

**Problem No. 8** Example using "e<sup>x</sup>" and "LN" keys

| KEY ENTRY      | DISPLAY X | STACK REGISTERS |     |     |   | MEMORY M  | COMMENTS                                 |
|----------------|-----------|-----------------|-----|-----|---|-----------|--|
|                |           | Y               | Z   | T   |   |           |  |
| 8.7654321      | 8.7654321 | 2.2             | -07 | 2   | 0 | 1.2345678 |  |
| STO            | 8.7654321 |                 |     |     |   | 8.7654321 | Store original value                     |
| e <sup>x</sup> | 6408.8309 |                 |     |     |   |           |  |
| LN             | 8.7654321 |                 | 0   |     |   |           |  |
| RCL            | 8.7654321 | 8.7654321       | 2.2 | -07 |   |           |  |
| -              | 0.0       | 2.2             | -07 | 0   | 0 | 8.7654321 | Compare answer to original. Error is 0.0 |

**Problem No. 9** 2<sup>10</sup>

| KEY ENTRY      | DISPLAY X | STACK REGISTERS |           |           |     | MEMORY M  | COMMENTS                              |
|----------------|-----------|-----------------|-----------|-----------|-----|-----------|---------------------------------------|
|                |           | Y               | Z         | T         |     |           |                                       |
| 2              | 2         | 8.7654321       | 8.7654321 | 2.2       | -07 | 8.7654321 |                                       |
| ENTER          | 2.        | 2               |           | 8.7654321 |     |           |                                       |
| 10             | 10        |                 |           |           |     |           |                                       |
| Y <sup>x</sup> | 1024.0037 | 0               | 0         | 0         |     | 8.7654321 | Notice that "Y," "Z" and "T" are lost |

**Problem No. 10** Trigonometric computations

| KEY ENTRY | DISPLAY X | STACK REGISTERS |           |           |           | MEMORY M                | COMMENTS   |
|-----------|-----------|-----------------|-----------|-----------|-----------|-------------------------|--|
|           |           | Y               | Z         | T         |           |                         |  |
| 30        | 30        | 1024.0037       | 0         | 0         | 8.7654321 | Enter X in degrees      |  |
| SIN       | 0.5000002 |                 |           |           |           | Sine of 30° is computed |  |
| ARC       | 0.5000002 |                 |           |           |           | ARC sine is computed    |  |
| SIN       | 29.999556 |                 |           |           |           |                         |  |
| 4         | 4         | 29.999556       | 1024.0037 |           |           |                         |  |
| ENTER     | 4.        | 4               | 29.999556 | 1024.0037 |           |                         |  |
| 3         | 3         |                 |           |           |           |                         |  |
| ENTER     | 3.        | 3               | 4         | 29.999556 |           |                         |  |
| 2         | 2         |                 |           |           |           |                         |  |
| ENTER     | 2.        | 2               | 3         | 4         |           |                         |  |
| 1         | 1         |                 |           |           |           |                         |  |
| SIN       | 1.7452415 | -02             | 2         | 3         | 0         | 8.7654321               | Notice that "T" is lost (same for SIN, COS, TAN) |
| 4         | 4         | 1.7452415       | -02       | 2         | 3         | 8.7654321               |  |
| ENTER     | 4.        | 4               | 1.7452415 | -02       | 2         |                         |  |

**Problem No. 10 (con't)**

| KEY ENTRY | DISPLAY X | STACK REGISTERS |   |           | MEMORY M  | COMMENTS  |
|-----------|-----------|-----------------|---|-----------|-----------|---|
|           |           | Y               | Z | T         |           |   |
| 3         | 3         |                 |   |           |           |   |
| ENTER     | 3.        | 3               | 4 | 1.7452415 | -02       |   |
| 2         | 2         |                 |   |           |           |   |
| ENTER     | 2.        | 2               | 3 | 4         |           |   |
| 1         | 1         |                 |   |           |           |   |
| ARC       | 1.        |                 |   |           |           |   |
| SIN       | 89.999997 | 2               | 3 | 0         | 8.7654321 | Notice that "T" is lost (same for ASIN, ACOS, ATAN) |

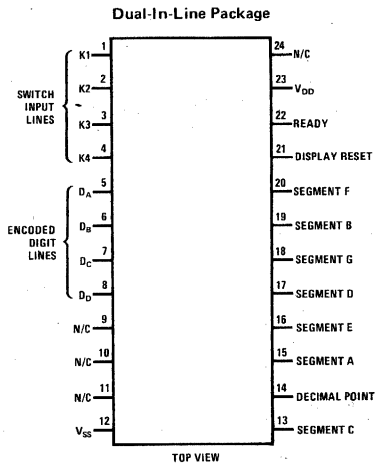
**Problem No. 11**

| KEY ENTRY | DISPLAY X | STACK REGISTERS |   |   | MEMORY M  | COMMENTS |
|-----------|-----------|-----------------|---|---|-----------|----------|
|           |           | Y               | Z | T |           |          |
| 30        | 30        | 89.999997       | 2 | 3 | 8.7654321 |          |
| COS       | 0.8660252 |                 |   | 0 |           |          |
| ARC       | 0.8660252 |                 |   |   |           |          |
| COS       | 29.999569 | 89.999997       | 2 | 0 | 8.7654321 |          |

**Problem No. 12**

| KEY ENTRY | DISPLAY X | STACK REGISTERS |           |   | MEMORY M  | COMMENTS |
|-----------|-----------|-----------------|-----------|---|-----------|----------|
|           |           | Y               | Z         | T |           |          |
| 45        | 45        | 29.999569       | 89.999997 | 2 | 8.7654321 |          |
| TAN       | 0.9999991 |                 |           | 0 |           |          |
| ARC       |           |                 |           |   |           |          |
| TAN       | 45.000629 | 29.999569       | 89.999997 | 0 | 8.7654321 |          |

**connection diagram**



Order Number MM5758N  
See Package 22



## MM5760 slide rule calculator general description

The single-chip MM5760 Slide Rule Calculator was developed using a metal-gate, P-channel enhancement and depletion mode MOS/LSI technology with the primary objective of low end-product cost. A complete calculator as shown in *Figure 1* requires only the MM5760, a keyboard, DM8864 digit driver, NSA298 LED display and a 9V battery with appropriate hardware.

Keyboard decoding and key debounce circuitry, all clock and timing generation and 7-segment output display encoding are included on-chip and require no external components. Segments can usually be driven directly from the MM5760, as it typically sources about 8.5 mA of peak current. (Note: the typical duty cycle of each digit is 0.104; average LED segment current is therefore approximately 0.89 mA.) The left-most digit is used for the negative sign or the decimal point of a number less than unity.

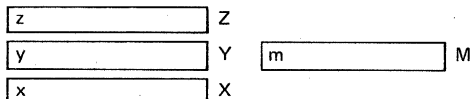
An internal power-on clear circuit clears all registers, including the memory, when  $V_{DD}$  and  $V_{SS}$  are initially applied to the chip.

Trailing zero suppression allows convenient reading of the left justified display, and conserves power. The DM8864 digit driver is capable of sensing a low battery voltage and providing a signal during Digit 9 time that can be used to turn on one of the segments as an indicator. Typical current drain of a complete calculator displaying five "5's" is 30 mA. Automatic display cutoff is included. If no key closure occurs for approximately 35 seconds, all numbers are blanked and all decimal points displayed.

The Ready output signal is used to indicate calculator status. It is useful in providing synchronization information during testing and when the MM5760 is used with other logic or integrated circuits; e.g., with the MM5765 Programmer (*Figure 3*).

Thirty-two keys are arranged in a four-by-nine matrix (*Figure 1*). In addition to seven arithmetic functions plus logarithmic, trigonometric and accumulating memory functions, the calculator is capable of calculating  $Y^X$ , adding the square of X to memory, automatically entering  $\pi$  and providing degrees/radian conversions.

The user has access to four registers designated X, Y, Z and M. X is the display and entry register, and is the bottom of a "push-up" stack that also includes registers Y and Z:



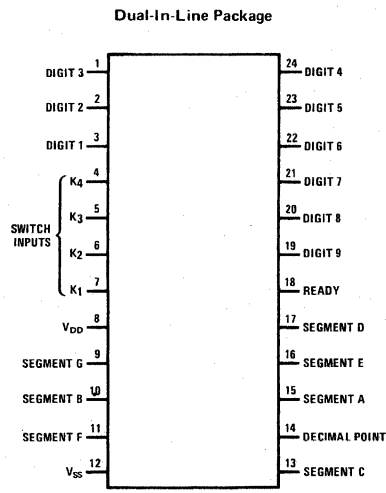
Note: Lower case letters designate the data in the register identified by a capital letter.

## Calculators

### features

- Full 8-digit entry and display capacity
- Complete electronic slide rule capability
  - Arithmetic functions: +, -,  $\times$ ,  $\div$ ,  $\sqrt{x}$ ,  $1/x$ ,  $x^2$
  - Logarithmic functions:  $\ln x$ ,  $\log x$ ,  $e^x$
  - Trigonometric functions:  $\sin x$ ,  $\cos x$ ,  $\tan x$ , arc  $\sin x$ , arc  $\cos x$ , arc  $\tan x$
  - Other functions:  $Y^X$ ,  $\pi$ , change sign, exchange,  $x^2 + \text{memory} \rightarrow \text{memory}$ , radians to degrees, degrees to radians
- Three-register operational stack
- Independent accumulating storage register with store, recall, memory plus and memory minus functions
- Floating point input and output
- Direct 9V battery compatibility; low power
- Power-on clear
- No external components required other than display digit driver, keyboard and LED display for complete calculator
- Error indication for over range, overflow and invalid operations
- Left justified entry and results with trailing zero suppression
- Automatic display cutoff
- Reverse polish notation

### connection diagram



Order Number MM5760N  
See Package 22

**absolute maximum ratings**

Voltage at Any Pin Relative to  $V_{SS}$   $V_{SS} + 0.3V$  to  $V_{SS} - 12V$   
 (All other pins connected to  $V_{SS}$ )  
 Ambient Operating Temperature  $0^{\circ}C$  to  $+70^{\circ}C$   
 Ambient Storage Temperature  $-55^{\circ}C$  to  $+150^{\circ}C$   
 Lead Temperature (Soldering, 10 seconds)  $300^{\circ}C$

**operating voltage range**

$6.5V \leq V_{SS} - V_{DD} \leq 9.5V$   
 $V_{SS}$  is always defined as the most positive supply voltage.

**dc electrical characteristics**

| PARAMETER   | CONDITIONS  | MIN            | TYP           | MAX                              | UNITS          |
|---|---|----------------|---------------|----------------------------------|----------------|
| Operating Supply Current ( $I_{DD}$ )                       | $V_{DD} = V_{SS} - 9.5V$ , $T_A = 25^{\circ}C$  |                |               | 16.0                             | mA             |
| Keyboard Scan Input Levels<br>(K1, K2, K3 and K4)           |   |                |               |                                  |                |
| Logical High Level  | $V_{SS} - 6.5V \leq V_{DD} \leq V_{SS} - 9.5V$  | $V_{SS} - 2.5$ |               |                                  | V              |
| Logical Low Level   | $V_{DD} = V_{SS} - 6.5V$<br>$V_{DD} = V_{SS} - 9.5V$  |                |               | $V_{SS} - 5.0$<br>$V_{SS} - 6.0$ | V<br>V         |
| Digit Output Levels   |   |                |               |                                  |                |
| Logical High Level ( $V_{OH}$ )                             | $R_{LOAD} = 3.2 k\Omega$ to $V_{DD}$<br>$V_{SS} - 6.5V \leq V_{DD} \leq V_{SS} - 9.5V$  | $V_{SS} - 1.5$ |               |                                  | V              |
| Logical Low Level ( $V_{OL}$ )                              | $V_{DD} = V_{SS} - 6.5V$<br>$V_{DD} = V_{SS} - 9.5V$  |                |               | $V_{SS} - 6.0$<br>$V_{SS} - 7.0$ | V<br>V         |
| Segment Output Current<br>(Sa through Sg and Decimal Point) | $T_A = 25^{\circ}C$<br>$V_{OUT} = V_{SS} - 3.6V$ , $V_{DD} = V_{SS} - 6.5V$<br>$V_{OUT} = V_{SS} - 5V$ , $V_{DD} = V_{SS} - 8V$<br>$V_{OUT} = V_{SS} - 6.5V$ , $V_{DD} = V_{SS} - 9.5V$ | -5.0           | -8.5<br>-10.0 | -15.0                            | mA<br>mA<br>mA |
| Ready Output Levels   |   |                |               |                                  |                |
| Logical High Level ( $V_{OH}$ )                             | $I_{OUT} = -0.4 mA$   | $V_{SS} - 1.0$ |               |                                  | V              |
| Logical Low Level ( $V_{OL}$ )                              | $I_{OUT} = 10\mu A$   |                |               | $V_{DD} + 1.0$                   | V              |

**ac electrical characteristics**

| PARAMETER  | CONDITIONS                                     | MIN  | TYP  | MAX  | UNITS   |
|--|--|------|------|------|---------|
| Word Time (Figure 2)   |  | 0.32 | 0.65 | 1.3  | ms      |
| Digit Time (Figure 2)  |  | 36   | 70   | 145  | $\mu s$ |
| Segment Blanking Time (Figure 2)   |  | 2    | 4.5  | 9    | $\mu s$ |
| Digit Output Transition Times<br>( $t_{RISE}$ and $t_{FALL}$ )   | $C_{LOAD} = 100 pF$ , $R_{LOAD} = 9.6 k\Omega$ |      | 2    |      | $\mu s$ |
| Keyboard Inputs High to Low<br>Transition Time After<br>Key Release  | $C_{LOAD} = 100 pF$                            |      | 4    |      | $\mu s$ |
| Ready Output Propagation Time<br>(Figure 3)  |  |      |      |      |         |
| Low to High Level ( $t_{PDH}$ )  | $C_{LOAD} = 100 pF$                            | 10   |      | 50   | $\mu s$ |
| High to Low Level ( $t_{PDL}$ )  | $C_{LOAD} = 100 pF$                            |      |      | 1    | ms      |
| Key Input Time-out   |  |      |      |      |         |
| Key Entry  |  | 2.8  | 6.0  | 11.7 | ms      |
| Key Release  |  | 5.1  | 10.4 | 20.5 | ms      |
| Display Cutoff Time<br>(The time after the last valid key<br>closure that all numbers will be<br>blanked and all decimal points<br>displayed.) |  | 10   | 22   | 44   | second  |

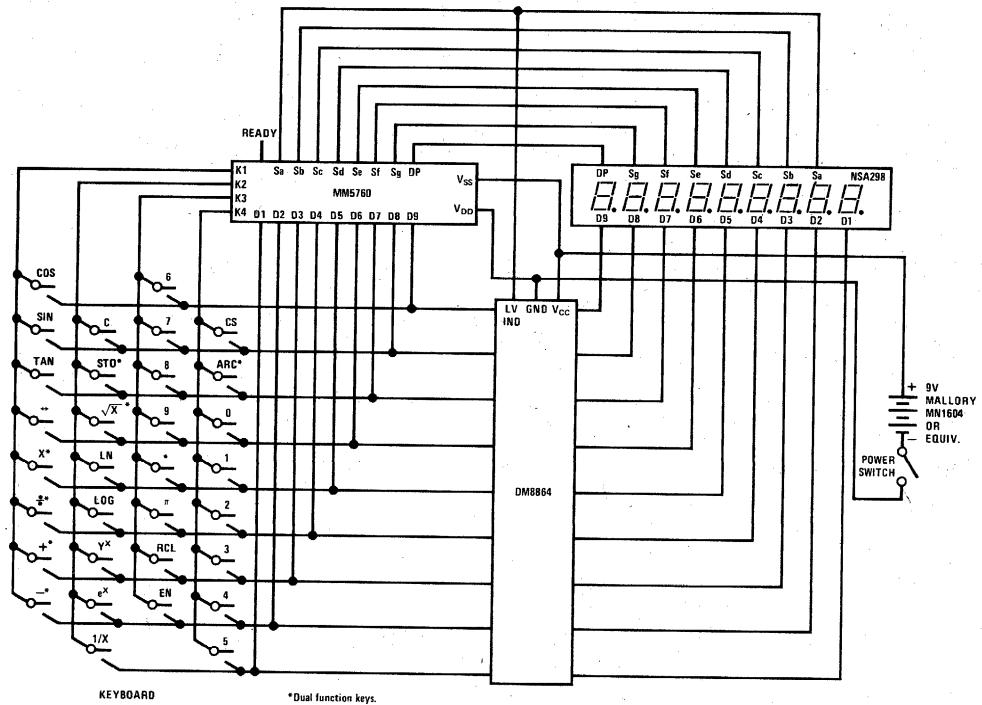


FIGURE 1. Complete Calculator Schematic

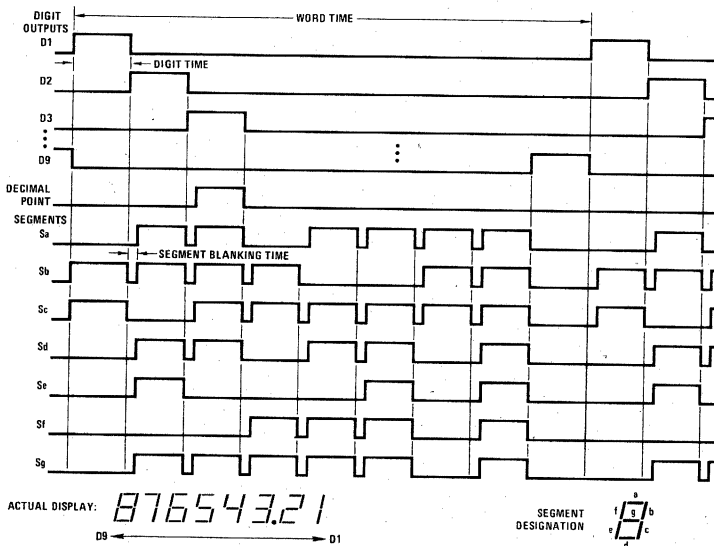


FIGURE 2. Display Timing Diagram

The contents of the accumulating storage register M are replaced with the contents of the X register by using the "STO" key. Preceding "+" or "-" with the "ARC" key sums X into M, or subtracts X from M. "ARC" followed by "STO" squares X and sums it into the memory without changing the value of X. The memory recall key, "RCL," copies M into X without disturbing the value of M. Storage register M is cleared automatically at

power-on or by storing a zero. All registers contain eight digits and sign information.

Inputs are entered and outputs displayed in floating point. The output results are truncated. Data entry always precedes the operation keys that operate on them; this is referred to as Reverse Polish notation. (See examples.)

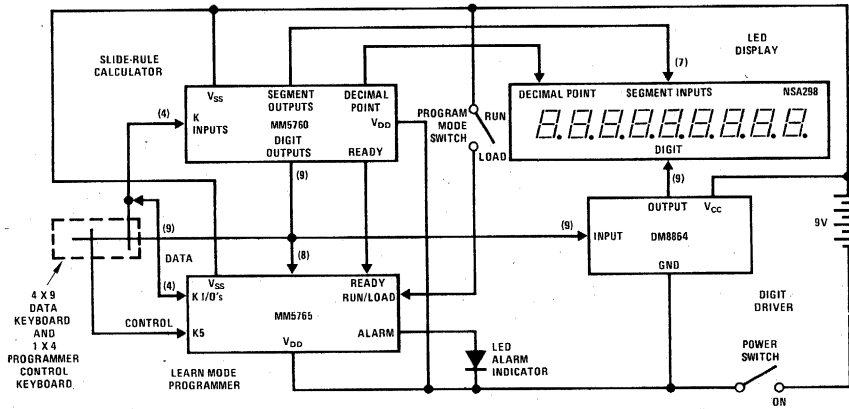


FIGURE 3. Low Cost Hand Held Programmable Electronic Slide Rule Using the MM5760 Calculator and MM5765 Programmer

### KEY SEQUENCE EXAMPLES

| KEY            | DISPLAY    | COMMENTS   |
|----------------|------------|--|
|                | 0.         | Power-On Clear   |
| 1              | 1          |  |
| 0              | 10         |  |
| 0              | 100        |  |
| LOG            | 2.         |  |
| EN             | 2.         | Copy X into Y  |
| 10             | 10         |  |
| C              | 2.         | Clear X, stack pushes down                               |
| C              | 0.         | Stack cleared  |
| 10             | 10         |  |
| EN             | 10.        |  |
| 2              | 2          |  |
| Y <sup>x</sup> | 99.99993   | 6 digit accuracy. Typical calculation time = 1.7 seconds |
| 50             | 50         |  |
| +              | 149.99993  |  |
| 4              | 4          |  |
| $\sqrt{X}$     | 2.         | Typical calculation time = 90 ms                         |
| EN             | 2.         |  |
| 7              | 7          |  |
| -              | -5.        |  |
| 2              | 2          |  |
| X              | -10.       |  |
| ÷              | -14.999993 |  |
| 9              | 9          |  |
| STO            | 9.         | "STO" terminates data entry                              |
| 3              | 3          |  |
| ARC            | 3          |  |
| SIN            | .00000000  | Error indication (X > 1)<br>No clear needed              |
| .              | .          |  |
| 1              | .1         |  |
| LN             | -2.302585  | Typical calculation time = 260 ms                        |
| RCL            | 9.         |  |
| 1/X            | .11111111  |  |
| 9              | 9          | Exchange X and Y   |
| ↔              | .11111111  |  |
| Y <sup>x</sup> | 1.276517   | $1^9 \sqrt{9} = 9^{1/9}$                                 |
| .8             | .8         |  |
| ARC            | .8         |  |
| ARC            | .8         | Second "ARC" ignored                                     |
| SIN            | 53.1301    | SIN <sup>-1</sup> in degrees                             |
| SIN            | .8         | SIN of 53.1301°  |

## KEY SEQUENCE EXAMPLES (Con't)

| KEY    | DISPLAY    | COMMENTS                     |
|--------|------------|------------------------------|
| ARC    | .8         |                              |
| COS    | 36.8699    | $\text{COS}^{-1}$ in degrees |
| COS    | .8         | COS of 36.8699               |
| ARC    | .8         |                              |
| TAN    | 38.65981   | $\text{TAN}^{-1}$ in degrees |
| TAN    | .8         | TAN of 38.65981              |
| LOG    | -.09691    |                              |
| LN     | .000000000 |                              |
| $e^x$  | 1.         | $e^x$ for $X = 0$            |
| $\pi$  | 3.1415926  |                              |
| C      | 1.         |                              |
| C      | 1.276517   |                              |
| C      | 0.         |                              |
| LN     | .000000000 |                              |
| 1      | 1          |                              |
| CS     | -1         |                              |
| STO    | -1.        |                              |
| ARC    | -1.        |                              |
| COS    | 180        |                              |
| ARC    | 180        |                              |
| TAN    | 89.68169   |                              |
| RCL    | -1.        |                              |
| $e^x$  | .3678796   |                              |
| RCL    | -1.        |                              |
| ARC    | -1.        |                              |
| SIN    | -90.       |                              |
| ARC    | -90.       |                              |
| $\div$ | -1.5707963 | $90^\circ$ in radians        |
| ARC    | -1.5707963 |                              |
| +      | -1.5707963 | Accumulate X. in M           |
| RCL    | -2.5707963 | Recall M                     |

## EXAMPLE DEMONSTRATING STACK OPERATIONS

Evaluate:  $\frac{\text{LOG} \left( \frac{14 + 26}{6 - \sqrt{4}} \right)}{\text{SIN} (25 + 5)}$

| KEY        | STACK REGISTERS |    |    | COMMENTS  |
|------------|-----------------|----|----|---|
|            | X               | Y  | Z  |   |
| 14         | 14              | ?  | ?  | Y and Z are unknown   |
| EN         | 14.             | 14 | ?  |   |
| 26         | 26              | 14 | ?  |   |
| +          | 40.             | ?  | 0  | $14 + 26 = 40$  |
| 6          | 6               | 40 | ?  |   |
| EN         | 6.              | 6  | 40 |   |
| 4          | 4               | 6  | 40 |   |
| $\sqrt{X}$ | 2.              | 6  | 40 | $\sqrt{4} = 2$  |
| -          | 4.              | 40 | 0  | $6 - \sqrt{4} = 4$  |
| $\div$     | 10.             | 0  | 0  | $(14 + 26)/6 - \sqrt{4} = 10$   |
| LOG        | 1.              | 0  | 0  | $\text{LOG} [(14 + 26)/(6 - \sqrt{4})] = 1$                             |
| 25         | 25              | 1  | 0  |   |
| EN         | 25.             | 25 | 1  |   |
| 5          | 5               | 25 | 1  |   |
| +          | 30.             | 1  | 0  |   |
| SIN        | .5              | 1  | 0  | $\text{SIN} (25 + 5) = 0.5$   |
| $\div$     | 2.              | 0  | 0  | $\frac{\text{LOG} [(14 + 26)/(6 - \sqrt{4})]}{\text{SIN} (25 + 5)} = 2$ |
| C          | 0.              | 0  | 0  |   |

**KEYBOARD BOUNCE AND NOISE REJECTION**

The MM5760 is designed to interface with most low cost keyboards, which are often the least desirable from a false or multiple entry standpoint.

A key closure is sensed by the calculator chip when one of the key inputs, K1, K2, K3 or K4 is forced more positive than the Logical High Level specified in the Electrical Specifications. An internal counter is started as a result of the closure. The key operation begins after nine word times if the key input is still at a Logical High Level. As long as the key is held down (and the key input remains high) no further entry is allowed. When the key input changes to a Logical Low Level, the internal counter starts a sixteen word time-out for key release. During both entry and release time-outs the key inputs are sampled approximately every other word time for valid levels. If they are found invalid, the counter is reset and the calculator assumes the last valid key input state.

One of the popular types of low-cost keyboards available, the elastomeric conductor type, has a key pressure versus contact resistance characteristic that can generate continuous noise during "teasing" or low pressure key depressions. The MM5760 recognizes a series contact resistance up to 50 kΩ as a valid key closure, assuring a reliable interface for that type of keyboard.

**AUTOMATIC DISPLAY CUTOFF**

If no key is depressed for approximately 35 seconds, an internal automatic display cutoff circuit will blank all segments and display nine decimal points. Any key depression will restore the display; to restore the display without modifying the status of the calculator, use two change sign, "CS," depressions.

**READY SIGNAL OPERATION**

The Ready signal indicates calculator status. When the calculator is in an "idle" state the output is at a Logical High Level (near  $V_{SS}$ ). When a key is closed, the internal key entry timer is started. Ready remains high until the time-out is completed and the key entry is accepted as valid, then goes low as indicated in Figures 4 and 5. It remains at a Logical Low Level until the function initiated by the key is completed and the key is released. The low to high transition indicates the calculator has returned to an idle state and a new key can be entered.

**ERROR INDICATION**

In the event of an operating error, the MM5760 will display all zeros and all decimal points. In addition to normal calculator overflow situations which occur as a result of adding, subtracting, multiplying or dividing and including division by zero, the error indication is displayed for the conditions of Table I.

The Z-register is automatically cleared and the Y- and M-registers are saved. An error condition is cleared by depressing any key except "1/X," "÷," "LOG X" or "LN X." Operation on the X register with an error displayed will be performed as if X contained a zero.

**KEY OPERATIONS**

(Note: Register X is always displayed.)

**Clear Key, "C"**

After any key except "ARC," it clears X, pushes Y down to X, Z to Y and places a zero in Z. Subsequent depressions perform the same function; thus, three "C" depressions after a number entry will clear a completely

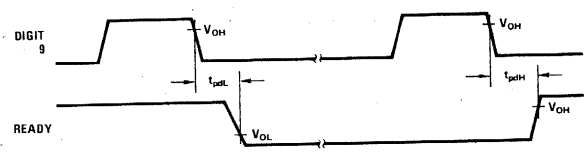


FIGURE 4. Ready Timing

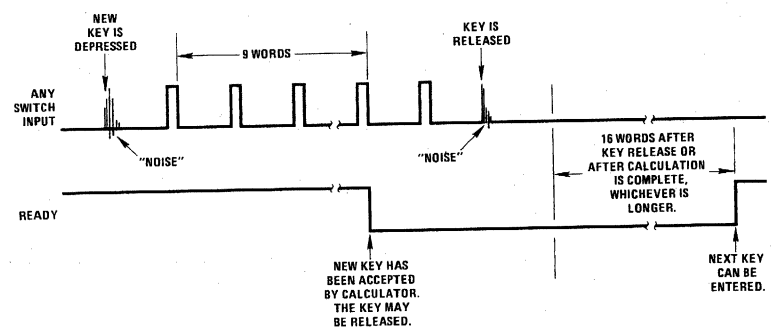


FIGURE 5. Functional Description of Ready Signal and Key Entry



TABLE I. Conditions for Error Indication

| FUNCTION                      | CONDITIONS (REGISTER X $\equiv$ X)           |
|-------------------------------|--|
| $+$ , $-$ , $\times$ , $\div$ | Result $> 99999999$ .                        |
| $\div$ or $1/X$               | $ X  \leq 0.00000001$                        |
| $\sqrt{X}$                    | $X < 0$                                      |
| $Y^X$                         | $Y \leq 0$<br>$\ln 99999999 < X \ln Y < -28$ |
| log X or ln X                 | $X \leq 0.00000001$                          |
| $e^X$                         | $\ln 99999999 < X < -28$                     |
| Sin X or Cos X                | $X \geq 7$ radians or $\sim 401^\circ$       |
| ARC Sin X or ARC Cos X        | $X > 1$                                      |
| Tan X                         | $X = \pm 90^\circ$ , or $X \geq 7$ radians   |

Note:  $\ln 99999999 = 18.420680$

full stack. This is also the method used to gain access to the Z register. Memory register M is not affected by "C." Pressing "C" after "ARC" resets the ARC function without affecting any of the data registers.

#### Number Entries

First entry after "EN" clears X and enters the number into Digit 8 (the second digit from the left of the display) of X. Second through eighth entry (excluding a decimal point) enters the number one digit to the right of the last number entered. The ninth, and subsequent entries, are ignored. The first number key after any key other than "EN" loses Z, pushes Y up to Z, X to Y, clears X and enters the number in Digit 8 of X.

#### Decimal Point, "."

After an ENTER key, it clears X and displays a decimal point in the left-most digit position. Following a number entry, it places a decimal point to the right of the last number entered. Subsequent depressions without an interceding number entry are ignored; subsequent depressions after interceding number entries will replace the previous point with one to the right of the last entered number.

#### Change Sign Key, "CS"

Changes the sign of X.

#### Enter Key, "EN"

Register Z is lost; Y is pushed up to Z and X is copied into Y.

#### Addition Key, "+"

X is added to Y and the result is placed in X. Z is transferred to Y and cleared. Following an "ARC" key, "+" adds the contents of X to M without changing X, Y or Z.

#### Subtraction Key, "-"

X is subtracted from Y and the result is placed in X. Z is copied into Y, then cleared. Following an "ARC" key, "-" subtracts the contents of X from M without changing X, Y or Z.

#### Multiplication Key, "X"

X is multiplied by Y and the result is placed in X. Z is transferred to Y and cleared. Following an "ARC" key, "X" converts the value of X from radians to degrees without changing M, Y or Z.

#### Division Key, "÷"

X is divided into Y and the result is placed in X. Z is transferred to Y and cleared. Following an "ARC" key, "÷" converts the value of X from degrees to radians without changing M, Y or Z.

#### Pi Key, " $\pi$ "

Register Z is lost; Y is pushed up to Z and X to Y. The constant 3.1415926 is placed in X.

#### Exchange Key, " $\leftrightarrow$ "

Registers X and Y are exchanged. Z and M are not affected.

#### Inverse Trigonometric and Multifunction Key, "ARC"

When used as a prefix to one of the trigonometric keys it conditions the calculator to determine the inverse function of the value in X. For example "ARC" followed by "SIN" computes the angle that has a sine equal to the value of X, replacing X with that angle in degrees. See key descriptions of "+", "-", "X", "÷", " $\sqrt{X}$ ", "STO" and "C" for secondary functions assigned to those keys by preceding them with "ARC." "ARC" followed by any key other than one of the above or one of the trig functions will be ignored.

**Reciprocal Key, "1/X"**

A non-zero value of X is replaced by its reciprocal. Registers M, Y and Z are not altered.

**Square Root Key, " $\sqrt{X}$ "**

A positive value of X is replaced by its square root. Registers Y and Z are not altered. Following an "ARC" key, " $\sqrt{X}$ " replaces the value of X with its square. Registers M, Y and Z are not affected.

**Logarithmic Keys, "LN" and "LOG"**

These keys replace the value of X by its natural or common logarithm, respectively; register Z is lost. M is not altered.

**Exponential Key, " $e^x$ "**

Determines the value of 2.7182818 raised to the power contained in register X, and places that value in X. The contents of Z are lost and Z is cleared. M is not altered.

**Power Key, " $Y^X$ "**

Determines the value of Y raised to the power of X and

replaces X with the result. The contents of Z are lost, Y retains the exponent and Z is cleared. M is not affected.

**Memory Keys, "STO" and "RCL"**

The memory store key, "STO" copies the value of X (including sign) into storage register M without altering the stack. "STO" following "ARC" squares the value of X and accumulates the result into M. Registers X, Y and Z are not affected. The recall key, "RCL," transfers Y to Z and X to Y, then copies M into X. Storage register M is not changed and Z is lost. Both "STO" and "RCL" terminate the entry mode.

**MEMORY OPERATIONS RESULTING IN ERROR CONDITIONS**

Any operation in which the storage register M is involved that results in an error condition, will not affect the previous contents of M. For example, if by accumulating X into M ("ARC," "+") the contents of M will become greater than 99999999., an error indication will occur and the original contents of M are protected. As a result of the overflow, registers X and Z will be lost as shown in Table II.

TABLE II. Summary of Stack Operations

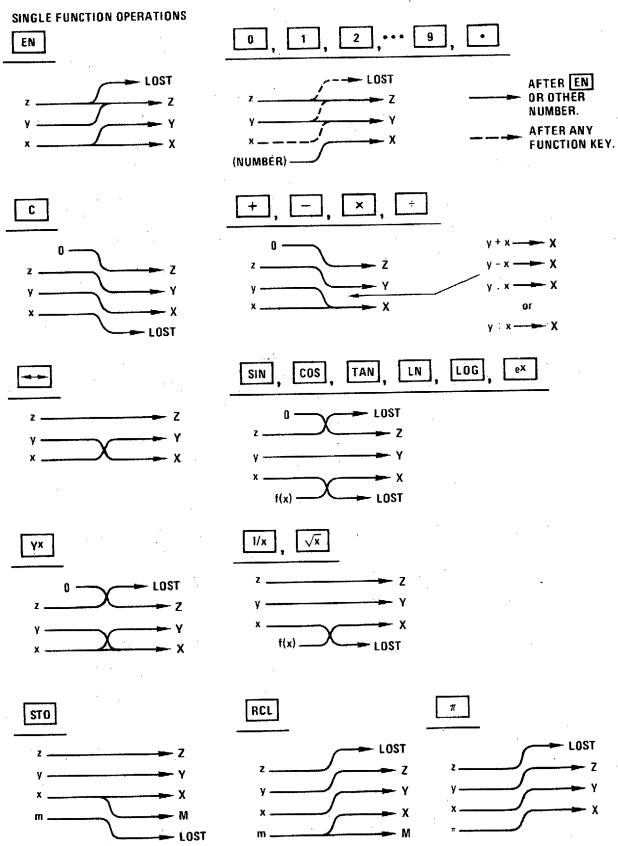
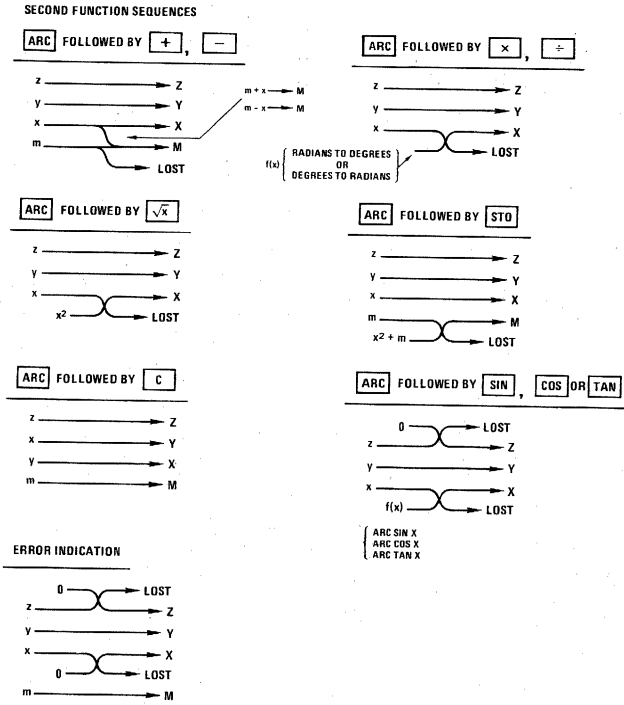


TABLE II. Summary of Stack Operations (Cont'd)



**RANGE AND ACCURACY OF FUNCTIONS**

The smallest magnitude that can be displayed is  $\pm 0.00000001$  and the total range is from  $-99999999$  to  $+99999999$ . The arithmetic functions (+, -, x, ÷, 1/X,

$\sqrt{x}$ ,  $x^2$ ) have eight digit accuracy. All results are truncated. Table III summarizes range and accuracy of the other functions. Arithmetic calculations will be completed in less than 0.5 second; all others except  $Y^x$  in less than 2.5 seconds and  $Y^x$  in less than 5 seconds.

TABLE III. Digit Accuracy for Various Functions

| FUNCTION            | RANGE  | APPROXIMATE ACCURACY (Note 1) |
|---------------------|--|-------------------------------|
| SIN, COS, TAN       | $\sim -90^\circ$ to $\sim 90^\circ$<br>$\sim -360^\circ$ to $\sim 360^\circ$ | 7 Digits<br>6 Digits          |
| ARC SIN and ARC COS | $\sim -1$ to $\sim +1$   | 6 Digits                      |
| ARC TAN             | $-99999999$ to $99999999$  | 6 Digits                      |
| LOG                 | $X \geq 0$   | 6 Digits                      |
| $e^x$               | $-28 \leq X \leq \ln 99999999$   | 6 Digits                      |
| LN                  | $X \geq 0$   | 6 Digits                      |
| $\sqrt{x}$          | $X \geq 0$   | 8 Digits                      |
| $Y^x$               | $Y > 0$<br>$X \ln Y \leq \ln 99999999$                                       | 5 Digits                      |

Note 1: Six digit accuracy, as an example, would be:

1 2 3 4 5 6 X X



n digit accuracy has the n<sup>th</sup> digit from the MSD being displayed accurate within  $\pm 1$ .



## MM5762 financial calculator general description

The single-chip MM5762 Business and Financial Calculator was developed using a metal-gate, P-channel enhancement and depletion mode MOS/LSI technology with low end-product cost as a primary objective. A complete calculator as shown in *Figure 1* requires only the MM5762, a keyboard, DS8864 digit driver, NSA1298 LED display, 9V battery and appropriate hardware.

Keyboard decoding and key debounce circuitry, all clock and timing generation and 7-segment output display encoding are included on-chip and require no external components. Segments can usually be driven directly from the MM5762, as it typically sources about 8.5 mA of peak current. [Note: The typical duty cycle of each digit is 0.104; average LED segment current is therefore approximately 0.104 (8.5 mA), or 0.9 mA average. Correspondingly, the worse-case average segment current is 0.104 (5.0 mA), or 0.52 mA.] The ninth digit (left-most) is used for the negative sign, or the decimal point of a number less than unity.

An internal power-on clear circuit is included that clears all registers, including the memory, when  $V_{DD}$  and  $V_{SS}$  are initially applied to the chip.

Trailing zero suppression allows convenient reading of the left justified display, and conserves power. The DS8864 digit driver is capable of sensing a low battery voltage and providing a signal during Digit 9 time that can be used to turn on one of the segments as an indicator. Typical current drain of a complete calculator displaying five "5's" is 30 mA. Automatic display cutoff is included. If no key closure occurs for approximately 35 seconds, all numbers are blanked and all decimal points are displayed.

The Ready output signal is used to indicate calculator status. It is useful in providing synchronization information for testing or applications where the MM5762 is used with other logic or integrated circuits; e.g., with the MM5765 Programmer (*Figure 3*).

Thirty-two keys are arranged in a four-by-nine matrix as shown in *Figure 1*. There are the standard four function keys (+, -, ÷, x), Change Sign, Exchange, three accumulating memory control keys plus ten unique business or financially oriented computation keys: three keys for entering interest rate per period, number of periods and amount, three keys for computing present and future values, sinking funds, saving and loan payments and other time/money factors, two keys for computing per cent and delta per cent, a sum-of-digits key and a power key. There is an automatic constant feature.

The user has access to six registers designated X, Y, A, I, N and M. The X-register is used for keyboard entry and display. The Y and A-registers are used in multiply/divide and add/subtract calculations, respectively. Interest values are held in the I-register and the N-register stores

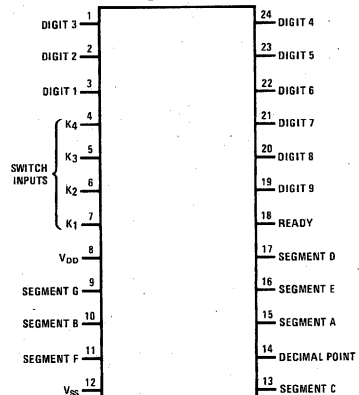
the number of time periods in financial calculations. M is an accumulating storage memory and is completely independent of the others.

Data is entered into the calculator in floating point business notation. All entries and results are displayed left justified with insignificant zeros to the right of the decimal point suppressed. All intermediate results of a chain calculation are floating point. Terminating keys (such as equal, per cent, etc.) round the displayed result to two decimal positions.

### features

- Complete business and financial capability
  - Arithmetic functions: +, -, x, ÷
  - Power function:  $Y^X$
  - Percent: both live percent *and* delta percent keys
  - Sum-of-digits capability for computing depreciation or "Rule of 78's" loan costs
  - Financial functions:
    - ▲ "n" key, enters number of periods
    - ▲ "i" key, enters interest rate per period
    - ▲ "AMT" key, enters given amount
    - ▲ "VAL" key, computes PV or FV
    - ▲ "SAV" key, computes deposit or sinking fund amounts
    - ▲ "LOAN" key, computes payment or loan amounts
- Accumulating memory
- Automatic constant
- Convenient business (adding machine) entry notation
- Eight full digits
- Power-on clear
- Automatic display cutoff
- Low system cost

### connection diagram (DIP Top View)



Order Number MM5762N  
See Package 22

**absolute maximum ratings**

|   |                                   |
|---|-----------------------------------|
| Voltage at Any Pin Relative to $V_{SS}$ .<br>(All other pins connected to $V_{SS}$ .) | $V_{SS} + 0.3V$ to $V_{SS} - 12V$ |
| Ambient Operating Temperature   | $0^{\circ}C$ to $+70^{\circ}C$    |
| Ambient Storage Temperature   | $-55^{\circ}C$ to $+150^{\circ}C$ |
| Lead Temperature (Soldering, 10 seconds)  | $300^{\circ}C$                    |

**operating voltage range**

$$6.5V \leq V_{SS} - V_{DD} \leq 9.5V$$

$V_{SS}$  is always defined as the most positive supply voltage.

**dc electrical characteristics**

| PARAMETER   | CONDITIONS  | MIN            | TYP           | MAX                              | UNITS          |
|---|---|----------------|---------------|----------------------------------|----------------|
| Operating Supply Current ( $I_{DD}$ )                       | $V_{DD} = V_{SS} - 9.5V$ , $T_A = 25^{\circ}C$  |                | 8.0           | 16.0                             | mA             |
| Keyboard Scan Input Levels<br>(K1, K2, K3 and K4)           |   |                |               |                                  |                |
| Logical High Level  | $V_{SS} - 6.5V \leq V_{DD} \leq V_{SS} - 9.5V$  | $V_{SS} - 2.5$ |               |                                  | V              |
| Logical Low Level   | $V_{DD} = V_{SS} - 6.5V$<br>$V_{DD} = V_{SS} - 9.5V$  |                |               | $V_{SS} - 5.0$<br>$V_{SS} - 6.0$ | V<br>V         |
| Digit Output Levels   |   |                |               |                                  |                |
| Logical High Level ( $V_{OH}$ )                             | $R_{LOAD} = 3.2 k\Omega$ to $V_{DD}$<br>$V_{SS} - 6.5V \leq V_{DD} \leq V_{SS} - 9.5V$  | $V_{SS} - 1.5$ |               |                                  | V              |
| Logical Low Level ( $V_{OL}$ )                              | $V_{DD} = V_{SS} - 6.5V$<br>$V_{DD} = V_{SS} - 9.5V$  |                |               | $V_{SS} - 6.0$<br>$V_{SS} - 7.0$ | V<br>V         |
| Segment Output Current<br>(Sa through Sg and Decimal Point) | $T_A = 25^{\circ}C$<br>$V_{OUT} = V_{SS} - 3.6V$ , $V_{DD} = V_{SS} - 6.5V$<br>$V_{OUT} = V_{SS} - 5V$ , $V_{DD} = V_{SS} - 8V$<br>$V_{OUT} = V_{SS} - 6.5V$ , $V_{DD} = V_{SS} - 9.5V$ | -5.0           | -8.5<br>-10.0 |                                  | mA<br>mA<br>mA |
| Ready Output Levels   |   |                |               |                                  |                |
| Logical High Level ( $V_{OH}$ )                             | $I_{OUT} = -0.4 mA$   | $V_{SS} - 1.0$ |               |                                  | V              |
| Logical Low Level ( $V_{OL}$ )                              | $I_{OUT} = 10\mu A$   |                |               | $V_{DD} + 1.0$                   | V              |

**ac electrical characteristics**

| PARAMETER  | CONDITIONS                                     | MIN  | TYP  | MAX | UNITS   |
|--|--|------|------|-----|---------|
| Word Time (Figure 2)   |  | 0.32 | 0.75 | 2.0 | ms      |
| Digit Time (Figure 2)  |  | 36   | 83   | 220 | $\mu s$ |
| Segment Blanking Time (Figure 2)   |  | 2    | 4.5  | 14  | $\mu s$ |
| Digit Output Transition Times<br>( $t_{RISE}$ and $t_{FALL}$ )   | $C_{LOAD} = 100 pF$ , $R_{LOAD} = 9.6 k\Omega$ |      | 2    |     | $\mu s$ |
| Keyboard Inputs High to Low<br>Transition Time After<br>Key Release  | $C_{LOAD} = 100 pF$                            |      | 4    |     | $\mu s$ |
| Ready Output Propagation Time<br>(Figure 4)  |  |      |      |     |         |
| Low to High Level ( $t_{PDH}$ )  | $C_{LOAD} = 100 pF$                            | 10   |      | 50  | $\mu s$ |
| High to Low Level ( $t_{PDL}$ )  | $C_{LOAD} = 100 pF$                            |      |      | 1   | ms      |
| Key Input Time-out (Figure 5)  |  |      |      |     |         |
| Key Entry  |  | 2.8  | 7.0  | 18  | ms      |
| Key Release  |  | 5.1  | 12   | 32  | ms      |
| Display Cutoff Time<br>(The time after the last valid key<br>closure that all numbers will be<br>blanked and all decimal points<br>displayed.) |  | 15   | 35   | 92  | sec     |

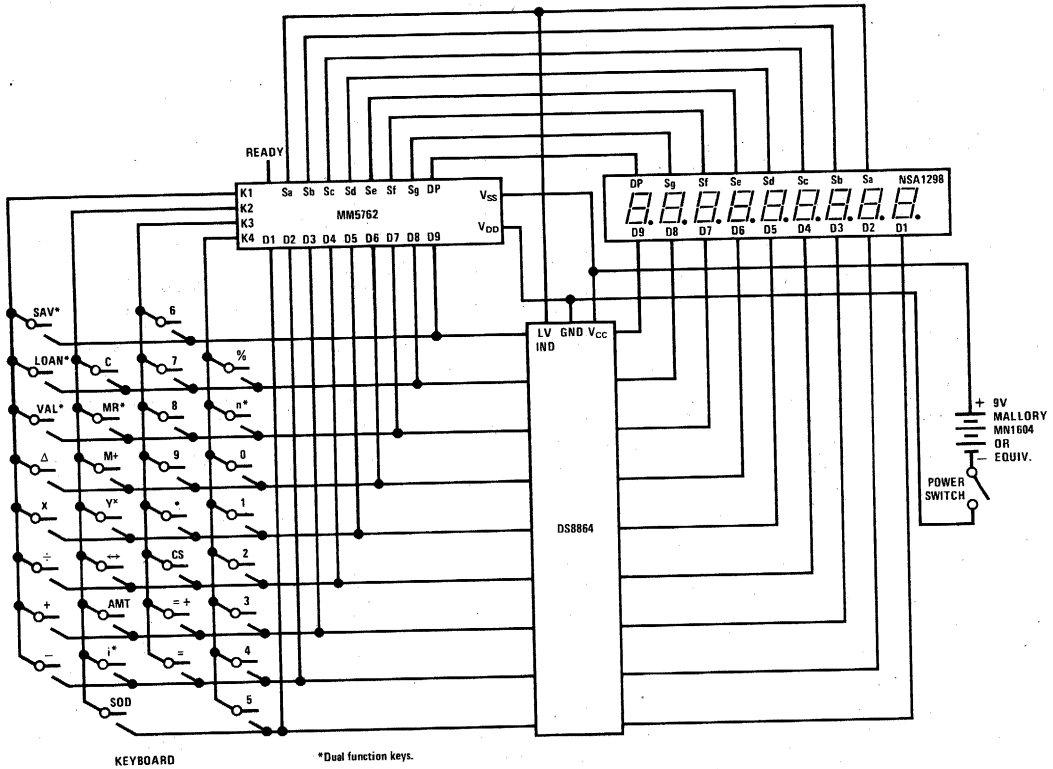


FIGURE 1. Complete Calculator Schematic

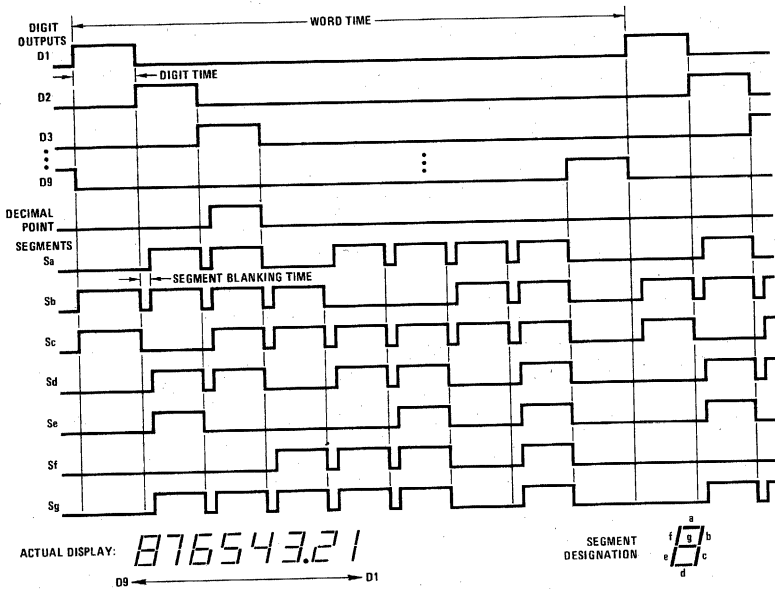


FIGURE 2. Display Timing Diagram

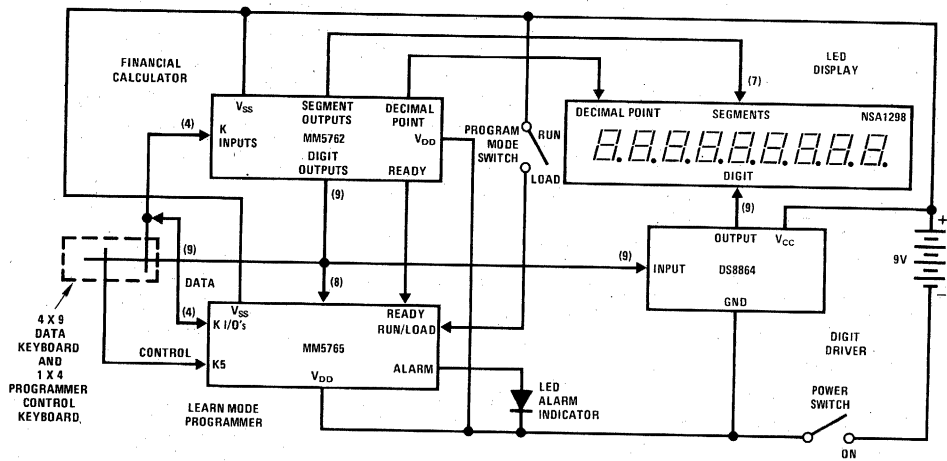


FIGURE 3. Low Cost Hand Held Programmable Financial Computer using the MM5762 Calculator and MM5765 Programmer

### KEYBOARD BOUNCE AND NOISE REJECTION

The MM5762 is designed to interface with most low cost keyboards, which are often the least desirable from a false or multiple entry standpoint.

A key closure is sensed by the calculator chip when one of the key inputs, K1, K2, K3 or K4 are forced more positive than the Logical High Level specified in the electrical specifications. An internal counter is started as a result of the closure. The key operation begins after nine word times if the key input is still at a Logical High Level. As long as the key is held down (and the key input remains high) no further entry is allowed. When the key input changes to a Logical Low Level, the internal counter starts a sixteen word time-out for key release. During both entry and release time-outs the key inputs are sampled approximately every other word time for valid levels. If they are found invalid, the counter is reset and the calculator assumes the last valid key input state.

One of the popular types of low-cost keyboards available, the elastomeric conductor type, has a key pressure versus contact resistance characteristics that can generate continuous noise during "teasing" or low pressure key depressions. The MM5762 defines a series contact resistance up to 50 k $\Omega$  as a valid key closure, assuring a reliable interface for that type of keyboard.

### AUTOMATIC DISPLAY CUTOFF

If no key is depressed for approximately thirty-five seconds, an internal automatic display cutoff circuit will blank all segments and display nine decimal points. Any key depression will restore the display; to restore the display without modifying the status of the calculator, use two Change Sign key depressions.

### READY SIGNAL OPERATION

The Ready signal indicates calculator status. When the calculator is in an "idle" state the output is at a Logical High Level (near  $V_{SS}$ ). When a key is closed, the internal key entry timer is started. Ready remains high until the time-out is completed and the key entry is accepted as valid, then goes low as indicated in Figures 4 and 5. It remains at a Logical Low Level until the function initiated by the key is completed and the key is released. The low to high transition indicates the calculator has returned to an idle state and a new key can be entered.

### ERROR INDICATION

In the event of an operating error, the MM5762 will display all zeros and all decimal points. The error indication occurs if division by zero is attempted or either a result or intermediate value exceeds 99999999.

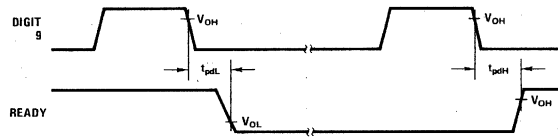


FIGURE 4. Ready Timing

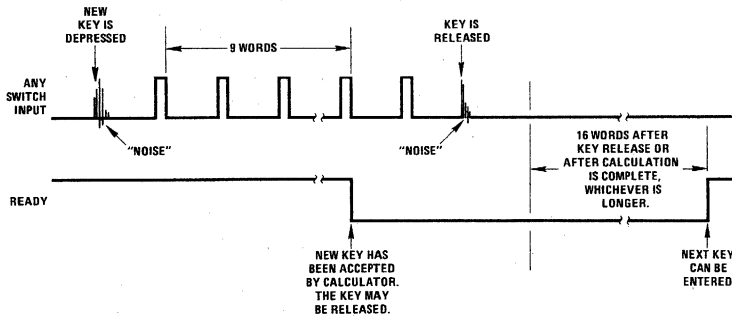


FIGURE 5. Functional Description of Ready Signal and Key Entry

The indication is cleared by depressing any key.

If an error results from a "+" or "-" key, the X-register is cleared and the last entry is saved in the A-register; all other registers are not effected. An error condition during "x" or "÷" operations clears X without changing any of the other registers.

Overflow as a result of the "YX," "VAL," "SAV" or "LOAN" keys clears the X-register and destroys the values in N, I and A. Y is not changed.

An attempt to raise a negative number to a power will cause the error indication to appear, the X-register will be cleared and the exponent will be stored in Y. The other registers are not changed.

Overflow as a result of "M+" destroys the value stored in M, clears X and displays the error indication. Calculations are immediately stopped and other registers are not cleared.

#### AUTOMATIC CONSTANT

The MM5762 retains as a constant the first factor of a multiplication calculation or the second factor of a division calculation, when that calculation is terminated by an "=" key, "%" key or "=+" key. Subsequent calculations using the stored constant are made by entering a number and operating upon it with the

appropriate terminator ("=", "%" or "=+" key). The Y-register is used to store the constant in the constant mode of operation.

The calculator automatically changes to the chain mode when an "x" or "÷" key occurs in the calculation. In the chain mode, the result of each "x" or "÷" key is stored in both X and Y-registers. A new entry replaces X without altering Y. At the completion of a chain calculation, the Y-register will contain the value used as first factor of the last multiply, or the latest entry if the last operation was a divide.

Table I summarizes the four modes.

#### KEY OPERATIONS

(Note: Register X is always displayed.)

##### Clear Key, "C"

Following a number entry or a "MR" key, it clears the X-register only (clear entry). Following any other key it clears registers X, Y and A.

##### Number Entries

The first entry clears the X-register and enters the number into the LSD of X. Second through eighth entries (excluding a decimal point) are entered one



digit to the right of the last number. The ninth, and subsequent entries are ignored. First entry after a "+," "-", or "M+" following a "+" or "-" key causes the number in the X-register to be transferred to the A-register before clearing and placing the new entry in X.

#### Decimal Point, "."

As the first depression of a number entry, it clears the X-register and places a point in the leftmost digit. If the previous key was a number, it enters a decimal point to the right of the last number entered. Following a "+," "-", or those keys preceding a "M+" key, the X-register is transferred to A, cleared and a decimal point entered in the leftmost digit. The last decimal point depression in a single number entry is accepted as the valid point.

#### Change Sign Key, "CS"

Changes sign of register X.

#### Addition Key, "+"

If the previous key was not a "+" or "-" key, the number in the A-register is added to the X-register, X is transferred to A, and the sum is stored in X. When the last key was a "+" or "-" key, the number in A is added to the number in X without destroying the value of A. The sum is stored in X.

#### Subtraction Key, "-"

If the previous key was not a "+" or "-" key, the number in the X-register is subtracted from the number in the A-register, X is transferred to A, and the difference is stored in X. When the last key was a "+" or "-" key, the number in A is subtracted from X without destroying the value of A. The result is stored in X.

#### Multiplication Key, "x"

If there has not been a "x" or "÷" key since the last terminator key ("=", "="+ or "%"), the value of the X-register is copied into the Y-register and the calculator is set to the chain multiply mode. In a chain calculation in which there has been a "x" key since the last terminator or "÷" key, X is multiplied by Y and the resulting product is stored in both X and Y; if a "÷" key has occurred since the last terminator or "x" key, depression of "x" will divide the Y-register by the X-register, with the quotient stored in both X and Y.

#### Division Key, "÷"

If there has not been an "x" or "÷" key since the last terminator key ("=", "="+ or "%"), the value of the X-register is copied into the Y-register and the calculator is set to the chain divide mode. In a chain calculation if an "x" key has occurred since the last terminator or "÷" key, X is multiplied by Y and the product is stored in both X and Y; if a "÷" key has occurred since the last terminator or "x" key, depression of "÷" will divide the Y-register by the X-register, with the quotient stored in both X and Y.

TABLE 1. Mode Summary

| MODE              | KEYS THAT SET MODE  | DESCRIPTION<br>(See Calculation Examples)   |
|-------------------|---|---|
| CONSTANT MULTIPLY | CLEAR<br>=<br>=+<br>%<br>Δ<br>Y <sup>x</sup><br>SOD<br>VAL<br>SAV<br>LOAN | Depression of an "=", "="+ or "%" key will multiply the X-register by the Y-register and replace X with the product. Y remains unchanged. |
| CHAIN MULTIPLY    | x,<br>Following a terminator or "÷"<br>or "x" operation                   | Depression of an "=", "="+ or "%" key will multiply the X-register by the Y-register and place the product in X. Y remains unchanged.     |
| CONSTANT DIVIDE   | = }<br>=+ } With calculator<br>% } previously in chain<br>} divide mode.  | Depression of an "=", "="+ or "%" key will divide the X-register by the Y-register and replace X with the quotient. Y is unchanged.       |
| CHAIN DIVIDE      | ÷,<br>Following a terminator or "÷"<br>or "x" operation                   | Depression of an "=", "="+ or "%" key will divide the Y-register by the X-register, transfer X to Y, and place the quotient in X.         |

**Equal Key, "="**

In the chain multiply mode, the value in the X-register is multiplied by the Y-register with the product stored in X. Register Y remains unchanged. In the chain divide mode, depression of "=" will divide Y by X, transfer X to Y, and place the quotient in X. If the calculator is in constant multiply, "=" will multiply X by Y, place the product in X and retain Y. For constant divide, the X-register is divided by Y, the quotient is stored in X; Y is unchanged.

The "=" key always rounds the answer stored in X to two places to the right of the decimal point, and clears register A.

**Percent Key, "%"**

This key acts exactly like the "=" key except the value of X is divided by 100 and copied into register A before performing the required operation. Register A is not cleared. The result stored in the X-register is rounded to two decimal positions.

**Automatic Accumulation Key, "= +"**

It acts just like the "=" key in all modes. After the result is stored in X, the value of X is added to the number in the M-register. The result stored in X and accumulated into M is rounded to two decimal places. Register A is cleared.

**Memory Plus Key, "M+"**

The number in the X-register is accumulated into the M-register. Registers X and A are not changed, so the repeat addition or subtraction conditions that existed before accumulation to memory are still valid.

**Memory Recall/Memory Clear Key, "MR"**

Following any key except "MR," the value of the M-register is copied into the X-register. If the preceding key was "+," "-" or "M+" following "+" or "-", the number in the X-register is transferred to the A-register before M is recalled. Following another "MR" key, the M-register is transferred to X, then cleared.

**Delta Percent Key, "Δ"**

The value of X is subtracted from the Y-register, the difference is divided by the value of X and placed in X. The new value of X is multiplied by 100 and rounded to two digit places. Y retains the difference between the original values of X and Y; register A is unchanged. Calculator mode is set to constant multiply.

**Power Key, "Y<sup>x</sup>"**

When the calculator is in either the chain or constant multiply modes, depression of "Y<sup>x</sup>" raises the number in the Y-register to the power of the X-register and replaces X with the result. (Thus, to raise two to the fifth power, use the sequence: "2," "x," "5," "Y<sup>x</sup>.") If the calculator is in the constant or chain divide modes, the value of Y is raised to the inverse of X power; i.e., the key sequence "5," "÷," "2," "Y<sup>x</sup>," results in the calculation of 5 raised to the 1/2 power. The original value of X is retained in Y and register A is cleared. The calculator is set to the constant multiply mode. Results computed with the "Y<sup>x</sup>" key are rounded to five places.

**Exchange Key, "↔"**

The X and Y-registers are exchanged. No other registers are effected.

**Interest Entry Key, "i"**

If the sign of the number in the X-register is positive, "i" divides the number by 100 and stores the quotient in X and the I-register. If the value of X is initially negative, "i" changes the sign, divides by 1200 and stores the quotient in both X and I; i.e., the interest will be compounded monthly.

**Number of Periods Entry Key, "n"**

If the sign of the number in the X-register is positive, X is copied into register N. A negative value of X is changed to a positive number, multiplied by 12 and the product stored in N and X.

**Amount Entry Key, "AMT"**

The value of the X-register is copied into the Y-register. No other registers are effected.

**Value Key, "VAL"**

If the number in the X-register is positive, the "VAL" key will compute *future value*: the sum of money available at the end of n periods from the present date (N-register) that is equivalent to the present amount (Y-register) with interest i (I-register). When the sign of the number in X is negative, the "VAL" key will compute *present value*: the sum of money necessary today to accumulate the future amount contained in Y over the n periods of N at the interest rate per interest period that is stored in I. Thus, to compute *future value*, simply enter i, n and amount in any order and press "VAL." For *present value*, precede "VAL" with "CS," setting a negative sign in X. Registers Y, N and I are not altered; X is replaced by the computed value and register A is cleared. The calculator is set to the constant multiply mode. The result is rounded to two decimal places.

### Savings Deposit Key, "SAV"

If the number in the X-register is negative, the "SAV" key will compute the amount to be deposited at the end of each period in a *sinking fund* for the number of periods,  $n$ , contained in register N, at an interest rate,  $i$ , contained in register I, compounded each time period, to accumulate the desired amount, contained in register Y. When the sign of the number in X is positive, the "SAV" key will compute the amount in a sinking fund if the number in Y is deposited at the end of  $n$  time periods (N-register) at an interest rate per time period  $i$  (I-register), compounded each time period. Thus, to compute the required *sinking fund deposit* to accumulate a desired amount over a given period of time, enter  $i$ ,  $n$  and the amount in any order using the "i," "n" and "AMT" keys, then "CS" and "SAV." To find the amount in the *sinking fund*, simply enter  $i$ ,  $n$  and the periodic amount of deposit and press "SAV." Registers N, I or Y are not altered by the calculation, register A is cleared and register X contains the computed value. The calculator is set to the constant multiply mode. Results are rounded to two decimal places.

### Loan Installment Key, "LOAN"

If the number in the X-register is negative, the "LOAN" key will compute the end-of-period payment or receipt required over the number of time periods contained in the N-register at an interest rate per time period equal to the value in the I-register to support a loan equal to the amount stored in the Y-register. When the sign of the X-register is positive, "LOAN" computes the amount that can be loaned for a given end-of-period payment stored in Y over the number of time periods contained in N at the interest rate per time period of I, compounded each time period. Thus, to compute the required installment on a given loan, enter the amount of the loan using the "AMT" key, the interest rate using "i" and the number of periods with "n," press "CS" to enter a negative sign in register X, then "LOAN." To compute how much can be borrowed given a fixed payment, enter the payment amount, number of periods and interest rate, then "LOAN." "AMT," "i" or "n" can always be entered in any order. Registers N, I or Y are not altered by the calculation; register A is cleared and register X will contain the computed value. The calculator is set to the constant multiply mode. The result is rounded to two decimal places.

### Sum-of-Digits Key, "SOD"

Following a "+" or "-" key, it transfers the number in register X to register A and computes a first *sum-of-digits* depreciation on that number by multiplying it by the ratio of the number in the N-register to the sum-of-digits of N. The result is rounded to two decimal places and stored in X; the difference between the initial and final values of X, the *depreciable value*, is stored in registers Y and A. N is decremented by one. (Therefore, to find depreciable value, simply use the "←" key.) Subsequent depressions of the "SOD" key will compute successive

depreciation and depreciable value amounts using the original value of N and present values stored in N and A. N is decremented by one after each computation. The number to be depreciated (or the loan amount in a "Rule of 78's" interest calculation) is always entered with a "+" or "-" key and the number of periods with the "n" key, without regard to key order. If the key preceding "SOD" is not "+" or "-", the sum-of-digits computation is performed on the number in the A-register without the number in X first being transferred to A. The result will be rounded to two decimal places; calculator mode is set to constant multiply.

### EXAMPLES

|                            |              |
|----------------------------|--------------|
| 1. Addition or subtraction | 2.0          |
|                            | 3.2          |
|                            | <u>-12.3</u> |

| KEYS | DISPLAY | COMMENTS                     |
|------|---------|------------------------------|
| 2    | 2       |                              |
| +    | 2.      |                              |
| 3    | 3       |                              |
| .    | 3.      |                              |
| 2    | 3.2     |                              |
| +    | 5.2     |                              |
| 1    | 1       |                              |
| 2    | 1.2     |                              |
| .    | 1.2.    |                              |
| 3    | 1.2.3   |                              |
| -    | -7.1    | Note adding machine notation |

### 2. Repeat add or subtract

| KEYS | DISPLAY | COMMENTS |
|------|---------|----------|
| 3    | 3       |          |
| .    | 3.      |          |
| 1    | 3.1     |          |
| +    | 3.1     |          |
| +    | 6.2     |          |
| +    | 9.3     |          |
| -    | 6.2     |          |

### 3. Chain multiplication or division

|    | KEYS | DISPLAY | COMMENTS |
|----|------|---------|----------|
| a) | 1    | 1       |          |
|    | x    | 1.      |          |
|    | 2    | 2       |          |
|    | x    | 2.      |          |
|    | 3    | 3       |          |
|    | .    | 3.      |          |
|    | 1    | 3.1     |          |
|    | x    | 6.2     |          |
|    | 4    | 4       |          |
|    | .    | 4.      |          |
|    | 2    | 4.2     |          |
|    | =    | 26.04   |          |

## EXAMPLES (continued)

## 3. (continued)

| KEYS | DISPLAY | COMMENTS |
|------|---------|----------|
| b) 1 | 1       |          |
| 0    | 10      |          |
| ÷    | 10.     |          |
| 2    | 2       |          |
| ÷    | 5.      |          |
| 1    | 1       |          |
| 0    | 10      |          |
| ÷    | 5       |          |
| 2    | 2       |          |
| =    | .25     |          |

| KEYS | DISPLAY  | COMMENTS                         |
|------|----------|----------------------------------|
| c) 2 | 2        |                                  |
| 0    | 20       |                                  |
| x    | 20.      |                                  |
| 4    | 4        |                                  |
| ÷    | 80.      |                                  |
| 8    | 8        |                                  |
| ÷    | 10.      |                                  |
| 7    | 7        |                                  |
| x    | 14285714 |                                  |
| 4    | 4        |                                  |
| =    | 5.71     | "=" rounds to two decimal places |

## 4. Constant multiplication or division.

| KEYS | DISPLAY | COMMENTS                                      |
|------|---------|---|
| a) 3 | 3       |   |
| x    | 3.      |   |
| 2    | 2       |   |
| =    | 6.      |   |
| 4    | 4       |   |
| =    | 12.     | First factor in constant multiply             |
| 5    | 5       |   |
| .    | 5.      |   |
| 2    | 52.     |   |
| =    | 15.6    | 15.6 is re-entered and multiplied by constant |
| =    | 46.8    |   |
| b) 5 | 5       |   |
| ÷    | 5.      |   |
| 2    | 2       |   |
| =    | 2.5     |   |
| 4    | 4       |   |
| =    | 2.      | Second factor in constant divide              |
| 5    | 5       |   |
| .    | 5.      |   |
| 2    | 52.     |   |
| =    | 2.6     | 2.6 is re-entered and divided by constant     |
| =    | 1.3     |   |

## 5. To perform products of sums.

$$(5 + 4) \times (3 + 2) / (6 + 7) = ?$$

| KEYS | DISPLAY | COMMENTS                      |
|------|---------|-------------------------------|
| 5    | 5       |                               |
| +    | 5.      |                               |
| 4    | 4       |                               |
| +    | 9.      |                               |
| x    | 9.      | Chain multiply mode is set    |
| 3    | 3       |                               |
| +    | 3.      |                               |
| 2    | 2       |                               |
| ÷    | 5.      |                               |
| +    | 4.5.    | (5 + 4) x (3 + 2) is executed |
| 6    | 6       |                               |
| +    | 6.      |                               |
| 7    | 7       |                               |
| +    | 13.     |                               |
| =    | 3.46    | 45 ÷ (6 + 7) is executed      |

## 6. Calculate percentage.

| KEYS | DISPLAY | COMMENTS     |
|------|---------|--------------|
| 3    | 3       |              |
| 0    | 30      |              |
| 0    | 300     |              |
| .    | 300.    |              |
| 2    | 300.2   |              |
| 5    | 300.25  |              |
| x    | 300.25  |              |
| 5    | 5       |              |
| %    | 15.01   | "Live %" key |

## 7. Perform add on and discount

| KEYS                        | DISPLAY | COMMENTS                 |
|-----------------------------|---------|--------------------------|
| a) Add-On: \$125 plus 5%    |         |                          |
| 1                           | 1       |                          |
| 2                           | 12      |                          |
| 5                           | 125.    |                          |
| x                           | 125.    |                          |
| 5                           | 5       |                          |
| %                           | 6.25    | 5% of 125 is displayed   |
| +                           | 1312.5  | 125 + 5% is displayed    |
| b) Discount: \$532.10 by 6% |         |                          |
| 5                           | 5       |                          |
| 3                           | 53      |                          |
| 2                           | 532     |                          |
| .                           | 532.    |                          |
| 1                           | 532.1   |                          |
| x                           | 532.1   |                          |
| 6                           | 6       |                          |
| %                           | 31.93   | 6% of 532.1 is displayed |
| -                           | 500.17  | 532.1 - 6% is displayed  |

## 8. Perform change sign.

| KEYS | DISPLAY | COMMENTS                              |
|------|---------|---------------------------------------|
| 1    | 1       |                                       |
| 2    | 12      |                                       |
| CS   | -12     | Change sign does not terminate entry. |
| 3    | -123    |                                       |
|      | -123.   |                                       |
| CS   | 123.    |                                       |
| 5    | 123.5   |                                       |
| CS   | -123.5  |                                       |
| 6    | -123.56 |                                       |

## 9. Perform exchange registers (X ↔ Y).

| KEYS | DISPLAY | COMMENTS                                |
|------|---------|---|
| a) 5 | 5       |   |
| x    | 5.      |   |
| 3    | 3       |   |
| =    | 15.     | 5 is initially constant multiplier      |
| 4    | 4       |   |
| ↔    | 5.      | 4 is now constant multiplier            |
| =    | 20.     |   |
| b) 6 | 6       |   |
| ÷    | 6.      |   |
| 3    | 3       |   |
| ↔    | 6.      | Numerator and denominator are exchanged |
| =    | .5      |   |

## 10. Accumulate in memory, recall and clear memory

| KEYS | DISPLAY | COMMENTS                |
|------|---------|-------------------------|
| a) 3 | 3       |                         |
| M+   | 3.      | Accumulate in memory    |
| 4    | 4       |                         |
| M+   | 4.      | Accumulate in memory    |
| 5    | 5       |                         |
| MR   | 7.      | Recall memory           |
| MR   | 7.      | Recall and clear memory |
| MR   | 0.      | Recall and clear memory |

EXAMPLES (continued)

10. (continued)

| KEYS | DISPLAY | COMMENTS                           |
|------|---------|------------------------------------|
| b) 5 | 5       |                                    |
| +    | 5.      |                                    |
| 6    | 6       |                                    |
| +    | 11.     |                                    |
| M+   | 11.     | Accumulate in memory               |
| 7    | 7       |                                    |
| +    | 18.     |                                    |
| M+   | 18.     | 11 + 18 is accumulated in M        |
| +    | 25.     | Repeat add                         |
| 3    | 3       |                                    |
| 2    | 32      |                                    |
| .    | 32.     |                                    |
| 2    | 32.2    |                                    |
| CS   | -32.2   |                                    |
| M+   | -32.2   | 29 - 32.2 is accumulated in M      |
| 9    | 9       |                                    |
| +    | 34.     |                                    |
| MR   | -3.2    | Accumulated value of M is recalled |
| +    | 30.8    |                                    |
| MR   | -3.2    | Accumulated value of M is recalled |
| MR   | -3.2    | M is cleared                       |
| MR   | 0.      |                                    |

11. Accumulate in memory with the use of the "M+" key.

| KEYS | DISPLAY | COMMENTS  |
|------|---------|---|
| 5    | 5       |   |
| x    | 5.      |   |
| 3    | 3       |   |
| M+   | 15.     | 5 x 3 = 15 is added to M                          |
| 4    | 4       |   |
| .    | 4.      |   |
| 2    | 4.2     |   |
| x    | 4.2     |   |
| 3    | 3       |   |
| M+   | 12.6    | 12.6 is added to M                                |
| 6    | 6       |   |
| ÷    | 6.      |   |
| 7    | 7       |   |
| M+   | .86     | { Rounded to 2 decimal places and added to memory |
| 9    | 9       |   |
| CS   | -9      | { Note method of multiplying negative number      |
| x    | -9.     |   |
| 4    | 4       |   |
| M+   | -36.    | -36. added to memory                              |
| MR   | -7.54   |   |

12. Raising a number to a power.

| KEYS                  | DISPLAY | COMMENTS  |
|-----------------------|---------|---|
| a) $2^5 = 32$         |         |   |
| 2                     | 2       |   |
| x                     | 2.      |   |
| 5                     | 5       |   |
| Y*                    | 32.     |   |
| b) $5^{1.5} = 11.18$  |         |   |
| 5                     | 5       |   |
| x                     | 5.      |   |
| 1                     | 1       |   |
| .                     | 1.      |   |
| 5                     | 1.5     |   |
| Y*                    | 11.18   | Rounded to five digits; trailing zero is suppressed |
| c) $3^{-5} = 0.00412$ |         |   |
| 3                     | 3       |   |
| x                     | 3.      |   |
| 5                     | 5       |   |
| CS                    | -5      |   |
| Y*                    | 0.0412  | Rounded to five digits                              |

13. Raising a number to a fractional power.

| KEYS                  | DISPLAY | COMMENTS               |
|-----------------------|---------|------------------------|
| a) $5^{1/2} = 2.2361$ |         |                        |
| 5                     | 5       |                        |
| ÷                     | 5.      |                        |
| 2                     | 2       |                        |
| Y*                    | 2.2361  | Rounded to five digits |
| b) $6^{1/3} = 1.8171$ |         |                        |
| 6                     | 6       |                        |
| ÷                     | 6.      |                        |
| 3                     | 3       |                        |
| Y*                    | 1.8171  | Rounded to five digits |

FINANCIAL EXAMPLES

1. Future Value Computations

To find the accumulated amount in a savings account at the end of 9 years when a) \$2500.00 is deposited at 5.25% interest compounded monthly. b) \$3000. c) \$3000 at 5.00% interest. d) \$3000 at 5.00% interest for 10 years.

| KEYS | DISPLAY   | COMMENTS                      |
|------|-----------|-------------------------------|
| a)   |           |                               |
| 9    | 9         | Number of years               |
| CS   | -9        | Compounded monthly            |
| n    | 108.      | Store 9 x 12 in N             |
| 5.25 | 5.25      | Interest                      |
| CS   | -5.25     | Compounded monthly            |
| i    | .004375   | Store 5.25/1200 in I          |
| 2500 | 2500      | Original deposit              |
| AMT  | 2500      | Store in Y                    |
| VAL  | 4005.87   | Rounded to two decimal places |
| b)   |           |                               |
| 3000 | 3000      |                               |
| AMT  | 3000.     | New deposit stored in Y       |
| VAL  | 4807.04   |                               |
| c)   |           |                               |
| 5    | 5         |                               |
| CS   | -5        |                               |
| i    | .00416666 | New interest rate in I        |
| VAL  | 4700.53   |                               |
| d)   |           |                               |
| 10   | 10        |                               |
| CS   | -10       |                               |
| n    | 120.      | Enter 10 x 12 in N            |
| VAL  | 4941.02   |                               |

2. Present Value Computations

To find the amount to be deposited to accumulate a) \$5000 in 7 years at 4.5% interest compounded monthly. b) \$10,000. c) \$10,000 in 7.5 years.

| KEYS  | DISPLAY | COMMENTS               |
|-------|---------|------------------------|
| a)    |         |                        |
| 7     | 7       | Number of years        |
| CS    | -7      | Compounded monthly     |
| n     | 84.     | Enter 7 x 12 in N      |
| 4.5   | 4.5     | Interest               |
| CS    | -4.5    | Compounded monthly     |
| i     | .00375  | Enter 4.5/1200 in I    |
| 5000  | 5000    | Future value           |
| AMT   | 5000.   | Enter amount in Y      |
| CS    | -5000.  |                        |
| VAL   | 3651.1  | Present value required |
| b)    |         |                        |
| 10000 | 10000   |                        |
| AMT   | 10000.  | New future value in Y  |
| CS    | -10000. |                        |
| VAL   | 7302.19 | Present value required |
| c)    |         |                        |
| 7.5   | 7.5     |                        |
| CS    | -7.5    |                        |
| n     | 90.     | New time period in N   |
| CS    | -90.    |                        |
| VAL   | 7140.03 | Present value required |

**FINANCIAL EXAMPLES (continued)**

3. To find the amount that a) must be deposited monthly in a savings account at an interest rate of 5.5% compounded monthly for 5 years to accumulate \$15,000. b) compounded, and deposited quarterly.

| KEYS   | DISPLAY   | COMMENTS                                    |
|--------|-----------|---|
| a) 5.5 | 5.5       | Interest                                    |
| CS     | -5.5      | Compounded monthly                          |
| i      | .00458333 | Enter 5.5/1200                              |
| 5      | 5         | Number of years                             |
| CS     | -5        | Compounded monthly                          |
| n      | 60.       | Ent 5 x 12 in N                             |
| 15000  | 15000.    | Future value                                |
| AMT    | 15000.    | Entered in Y                                |
| CS     | -15000.   |   |
| SAV    | 217.77    | Monthly deposit required                    |
| b) 5.5 | 5.5       | Interest                                    |
| ÷      | 5.5       |   |
| 4      | 4         | Compound quarterly                          |
| ÷      | 1.375     | Use "÷" instead of "=" for maximum accuracy |
| i      | .01375    | Enter 5.5/400                               |
| C      |           | Terminate chain calculation                 |
| 5      | 5         | Number of years                             |
| x      | 5.        | } Compound quarterly                        |
| 4      | 4         |   |
| =      | 20.       |   |
| n      | 20.       |   |
| 15000  | 15000     | Enter 5 x 4 in N                            |
| AMT    | 15000.    | Re-enter FV in Y                            |
| CS     | -15000.   | Amount                                      |
| SAV    | 656.71    | Quarterly deposit required                  |

4. To find the amount accumulated a) if \$100 is deposited at the end of each month for 6 years in a savings account at an interest rate of 4.75%, compounded monthly, b) at 7.5%, c) at 4.75% for 9 years.

| KEYS    | DISPLAY   | COMMENTS                 |
|---------|-----------|--------------------------|
| a) 4.75 | 4.75      | Interest                 |
| CS      | -4.75     | Compounded monthly       |
| i       | .00395833 | 4.75/1200 entered in I   |
| 6       | 6         |                          |
| CS      | -6        |                          |
| n       | 72.       |                          |
| 100     | 100       |                          |
| AMT     | 100.      |                          |
| SAV     | 8311.93   | Accumulated sinking fund |
| b) 7.5  | 7.5       |                          |
| CS      | -7.5      |                          |
| n       | 90.       |                          |
| SAV     | 10786.37  |                          |
| c) 4.75 | 4.75      |                          |
| CS      | -4.75     |                          |
| i       | .00395833 |                          |
| 9       | 9         |                          |
| CS      | -9        |                          |
| n       | 108.      |                          |
| SAV     | 13443.17  |                          |

5. To find the monthly payments of a loan of \$5,000 at an annual percentage rate of a) 18% for 5 years, b) 12%.

| KEYS  | DISPLAY | COMMENTS  |
|-------|---------|---|
| a) 18 | 18      | Interest  |
| CS    | -18     | Compounded monthly  |
| i     | .015    | 18/1200 entered in I  |
| 5     | 5       | Number of years   |
| CS    | -5      | Compounded monthly  |
| n     | 60.     | 5 x 12 entered in N   |
| 5000  | 5000    | Loan amount   |
| AMT   | 5000.   | Entered in Y  |
| CS    | -5000.  |   |
| LOAN  | 126.97  | Required monthly installment; rounded to two decimal places |

5. (continued)

| KEYS  | DISPLAY | COMMENTS                  |
|-------|---------|---------------------------|
| b) 12 | 12      |                           |
| CS    | -12     |                           |
| i     | .01     | New interest entered in I |
| CS    | -0.1    |                           |
| LOAN  | 111.22  | New monthly installment   |

6. To find the amount of a loan with monthly payments of \$125, and an interest rate of 9% for 3 years. b) 4 years. c) \$120 for 4 years.

| KEYS   | DISPLAY | COMMENTS                           |
|--------|---------|------------------------------------|
| a) 9   | 9       | Interest                           |
| CS     | -9      | Compounded monthly                 |
| i      | .0075   | 9/1200 entered in I                |
| 3      | 3       | Number of years                    |
| CS     | -3      | Compounded monthly                 |
| n      | 36.     | 3 x 12 entered in N                |
| 125    | 125     |                                    |
| AMT    | 125.    | Payment amount entered in Y        |
| LOAN   | 393.085 | Loan amount is computed            |
| b) 4   | 4       |                                    |
| CS     | -4      |                                    |
| n      | 48.     | New number of periods entered in N |
| LOAN   | 502.31  |                                    |
| c) 120 | 120     |                                    |
| AMT    | 120.    | New payment amount entered in Y    |
| LOAN   | 482.217 |                                    |

7. To find the amount of change and the percent change of a house now valued at \$56,500 which was previously purchased for \$49,750. b) present value of \$30,000.

| KEYS     | DISPLAY | COMMENTS          |
|----------|---------|-------------------|
| a) 56500 | 56500   | Present value     |
| AMT      | 56500.  | Enter in Y        |
| 49750    | 49750   | Past value        |
| Δ        | 1357    | % change          |
| ↔        | 6750.   | Amount change     |
| b) 30000 | 30000   | New present value |
| AMT      | 30000.  |                   |
| 49750    | 49750   |                   |
| Δ        | -39.7   | Negative % change |
| ↔        | -19750. | Amount change     |

8. Performing a sum-of-digits depreciation. Find the depreciation and depreciable value for each year, on an item with an initial cost of \$3,500.00 and a salvage value at the end of 8 years of \$675.00

| KEYS | DISPLAY | COMMENTS   |
|------|---------|--|
| 3500 | 3500    |  |
| +    | 3500    | Enter initial value                                  |
| 675  | 675     | Enter salvage value                                  |
| -    | 2825.   | Calculate change                                     |
| 8    | 8       |  |
| n    | 8.      | Enter period in N                                    |
| SOD  | 627.78  | 1st year depreciation. Rounded to two decimal places |
| ↔    | 2197.22 | Depreciable value                                    |
| SOD  | 549.31  | 2nd year depreciation                                |
| ↔    | 1647.91 | Depreciable value                                    |
| SOD  | 470.83  | 3rd year depreciation                                |
| ↔    | 1177.08 | Depreciable value                                    |
| SOD  | 392.36  | 4th year depreciation                                |
| ↔    | 784.72  | Depreciable value                                    |
| SOD  | 313.89  | 5th year depreciation                                |
| ↔    | 470.83  | Depreciable value                                    |
| SOD  | 235.42  | 6th year depreciation                                |
| ↔    | 235.41  | Depreciable value                                    |
| SOD  | 156.94  | 7th year depreciation                                |
| ↔    | 78.47   | Depreciable value                                    |
| SOD  | 78.47   | 8th year depreciation                                |
|      | 0.      | Depreciable value                                    |



## MM5763 statistical calculator general description

The single-chip MM5763 Statistical Calculator was developed using a metal-gate, P-channel enhancement and depletion mode MOS/LSI technology with low end-product cost as a primary objective. A complete calculator as shown in *Figure 1* requires only the MM5763, a keyboard, DS8864 digit driver, NSA1298 LED display, 9V battery and appropriate hardware.

Keyboard decoding and key debounce circuitry, all clock and timing generation and 7-segment output display encoding are included on-chip and require no external components. Segments can usually be driven directly from the MM5763, as it typically sources about 8.5 mA of peak current. [Note: The typical duty cycle of each digit is 0.104; average LED segment current is therefore approximately 0.104 (8.5 mA), or 0.9 mA average. Correspondingly the worst-case average segment current is 0.104 (5.0 mA), or 0.52 mA.] The ninth digit (left-most) is used for the negative sign, or the decimal point of a number less than unity.

An internal power-on clear circuit is included that clears all registers, including the memory, when  $V_{DD}$  and  $V_{SS}$  are initially applied to the chip.

Trailing zero suppression allows convenient reading of the left justified display, and conserves power. The DS8864 digit driver is capable of sensing a low battery voltage and providing a signal during Digit 9 time that can be used to turn on one of the segments as an indicator. Typical current drain of a complete calculator displaying five "5's" is 30 mA. Automatic display cutoff is included. If no key closure occurs for approximately 25 seconds, all numbers are blanked and all decimal points displayed.

The Ready output signal is used to indicate calculator status. It is useful in providing synchronization information for testing or applications where the MM5763 is used with other logic or integrated circuits; e.g., with the MM5765 Programmer (*Figure 3*).

Thirty-two keys are arranged in a four-by-nine matrix as shown in *Figure 1*. There is an automatic constant feature.

The user has access to eight registers designated X, T, A, C, Y, S, N and M. The X-register is used for keyboard entry and display. The T and A-registers are used in multiply/divide and add/subtract calculations, respectively. C, Y, S and N-registers are used specifically for calculating the statistical functions. M is an accumulating storage memory. Statistical key functions use essentially all registers, including M.

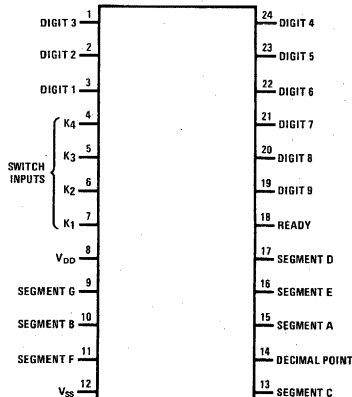
Data is entered into the calculator in floating point business notation. All entries and results are displayed left justified with insignificant zeros to the right of the decimal point suppressed. All intermediate results of a

chain calculation are floating point. Terminating keys: equal, percent and "+ =" round the display result to two decimal places.

## features

- Complete business and statistical capability
  - Arithmetic functions +, -,  $\times$ ,  $\div$
  - Per cent: includes markup and discount
  - Statistical functions:
    - ▲ "Σx" key sums X,  $X^2$  and N
    - ▲ "Σy" key sums Y,  $Y^2$  and  $X \cdot Y$
    - ▲ "REMOVE x" key corrects "Σx" mistake
    - ▲ "REMOVE y" key corrects "Σy" mistake
    - ▲ "FREQ x" key sums grouped data for standard deviation
    - ▲ " $\bar{X}$ , SD" key calculates standard deviation and mean
    - ▲ "COR-SLOPE" key performs linear regression giving coefficient of correlation, slope, and intercept
    - ▲ "INT" key calculates y-intercept on line for given x
- Square root
- Accumulating memory
- Auto constant
- Business notation
  - +, - "adding machine" notation
  - $\times$ ,  $\div$ , = algebraic notation
- Eight full digits
- Power-on clear
- Display cutoff
- Low system cost

## connection diagram (DIP Top View)



Order Number MM5763N  
See Package 22

**absolute maximum ratings**

|   |                                    |
|---|------------------------------------|
| Voltage at Any Pin Relative to $V_{SS}$ . (All other pins connected to $V_{SS}$ ) | $V_{SS} + 0.3V$ to $V_{SS} - 12.0$ |
| Ambient Operating Temperature   | $0^{\circ}C$ to $+70^{\circ}C$     |
| Ambient Storage Temperature   | $-55^{\circ}C$ to $+150^{\circ}C$  |
| Lead Temperature (Soldering, 10 seconds)  | $300^{\circ}C$                     |

**operating voltage range**

$$6.5V \leq V_{SS} - V_{DD} \leq 9.5V$$

$V_{SS}$  always defined as most positive supply voltage.

**dc electrical characteristics**

| PARAMETER   | CONDITIONS  | MIN            | TYP           | MAX                              | UNITS          |
|---|---|----------------|---------------|----------------------------------|----------------|
| Operating Supply Current ( $I_{DD}$ )                       | $V_{DD} = V_{SS} - 9.5V$ , $T_A = 25^{\circ}C$  |                | 8.0           | 16.0                             | mA             |
| Keyboard Scan Input Levels<br>(K1, K2, K3 and K4)           |   |                |               |                                  |                |
| Logical High Level  | $V_{SS} - 6.5V \leq V_{DD} \leq V_{SS} - 9.5V$  | $V_{SS} - 2.5$ |               |                                  | V              |
| Logical Low Level   | $V_{DD} = V_{SS} - 6.5V$<br>$V_{DD} = V_{SS} - 9.5V$  |                |               | $V_{SS} - 5.0$<br>$V_{SS} - 6.0$ | V              |
| Digit Output Levels   |   |                |               |                                  |                |
| Logical High Level ( $V_{OH}$ )                             | $R_{LOAD} = 3.2 k\Omega$ to $V_{DD}$<br>$V_{SS} - 6.5V \leq V_{DD} \leq V_{SS} - 9.5V$  | $V_{SS} - 1.5$ |               |                                  | V              |
| Logical Low Level ( $V_{OL}$ )                              | $V_{DD} = V_{SS} - 6.5V$<br>$V_{DD} = V_{SS} - 9.5V$  |                |               | $V_{SS} - 6.0$<br>$V_{SS} - 7.0$ | V              |
| Segment Output Current<br>(Sa through Sg and Decimal Point) | $T_A = 25^{\circ}C$<br>$V_{OUT} = V_{SS} - 3.6V$ , $V_{DD} = V_{SS} - 6.5V$<br>$V_{OUT} = V_{SS} - 5V$ , $V_{DD} = V_{SS} - 8V$<br>$V_{OUT} = V_{SS} - 6.5V$ , $V_{DD} = V_{SS} - 9.5V$ | -5.0           | -8.5<br>-10.0 | -15.0                            | mA<br>mA<br>mA |
| Ready Output Levels   |   |                |               |                                  |                |
| Logical High Level ( $V_{OH}$ )                             | $I_{OUT} = -0.4 mA$   | $V_{SS} - 1.0$ |               |                                  | V              |
| Logical Low Level ( $V_{OL}$ )                              | $I_{OUT} = 10\mu A$   |                |               | $V_{DD} + 1.0$                   | V              |

**ac electrical characteristics**

| PARAMETER  | CONDITIONS                                     | MIN  | TYP  | MAX | UNITS   |
|--|--|------|------|-----|---------|
| Word Time (Figure 2)   |  | 0.32 | 0.8  | 2.0 | ms      |
| Digit Time (Figure 2)  |  | 36   | 89   | 222 | $\mu s$ |
| Segment Blanking Time (Figure 2)   |  | 2    | 5.5  | 14  | $\mu s$ |
| Digit Output Transition Times<br>( $t_{RISE}$ and $t_{FALL}$ )   | $C_{LOAD} = 100 pF$ , $R_{LOAD} = 9.6 k\Omega$ |      | 2    |     | $\mu s$ |
| Keyboard Inputs High to Low<br>Transition Time After<br>Key Release  | $C_{LOAD} = 100 pF$                            |      | 4    |     | $\mu s$ |
| Ready Output Propagation Time<br>(Figure 3)  |  |      |      |     |         |
| Low to High Level ( $t_{PDH}$ )  | $C_{LOAD} = 100 pF$                            | 10   |      | 50  | $\mu s$ |
| High to Low Level ( $t_{PDL}$ )  | $C_{LOAD} = 100 pF$                            |      |      | 1   | ms      |
| Key Input Time-out   |  |      |      |     |         |
| Key Entry  |  | 2.8  | 7.2  | 18  | ms      |
| Key Release  |  | 5.1  | 12.8 | 32  | ms      |
| Display Cutoff Time<br>(The time after the last valid key<br>closure that all numbers will be<br>blanked and all decimal points<br>displayed.) |  | 10   | 25   | 63  | sec     |



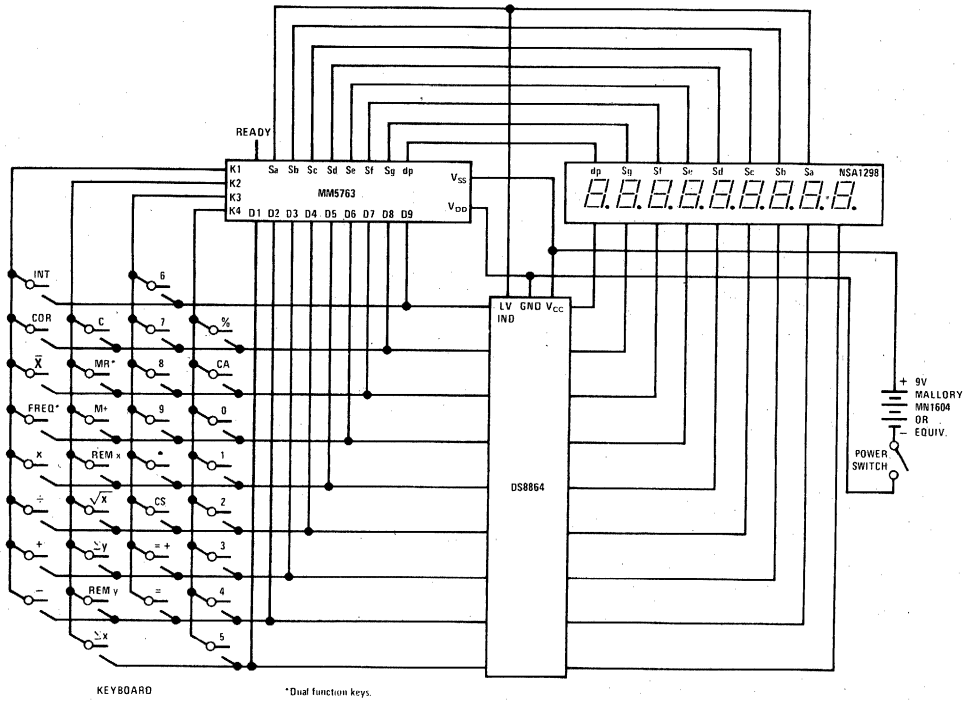


FIGURE 1. Complete Calculator Schematic

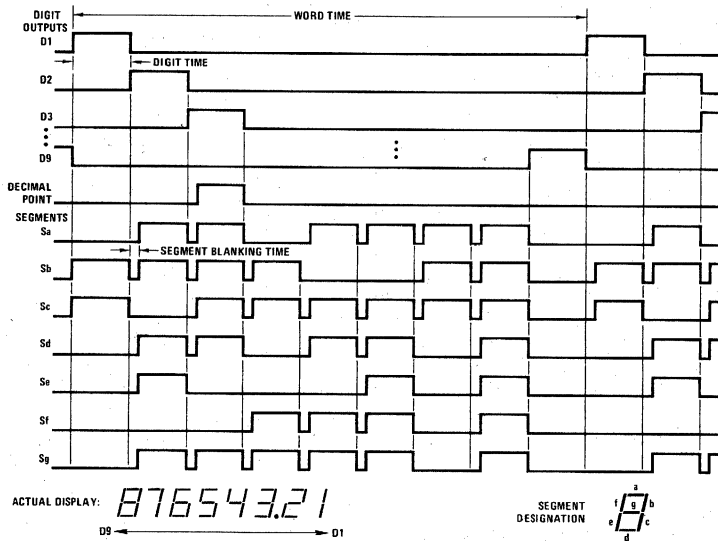


FIGURE 2. Display Timing Diagram.

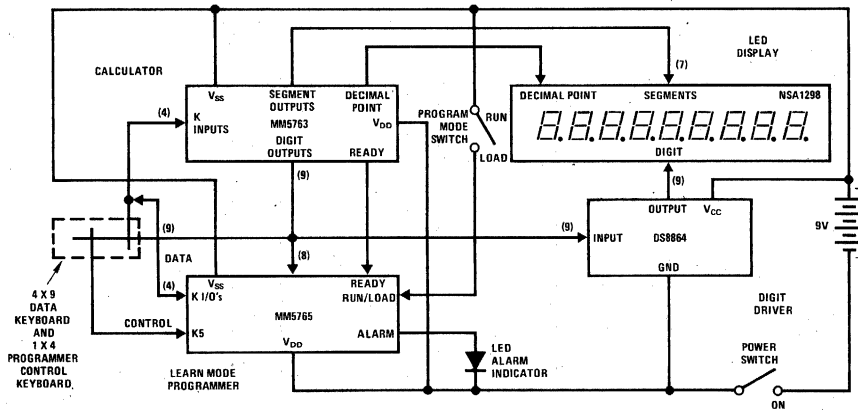


FIGURE 3. Low Cost Handheld Programmable Statistician Computer Using the MM5763 Calculator and MM5765 Programmer.

### KEYBOARD BOUNCE AND NOISE REJECTION

The MM5763 is designed to interface with most low cost keyboards, which are often the least desirable from a false or multiple entry standpoint.

A key closure is sensed by the calculator chip when one of the key inputs, K1, K2, K3 or K4 are forced more positive than the Logical High Level specified in the electrical specifications. An internal counter is started as a result of the closure. The key operation begins after nine word times if the key input is still at a Logical High Level. As long as the key is held down (and the key input remains high) no further entry is allowed. When the key input changes to a Logical Low Level, the internal counter starts a sixteen word time-out for key release. During both entry and release time-outs the key inputs are sampled approximately every other word time for valid levels. If they are found invalid, the counter is reset and the calculator assumes the last valid key input state.

One of the popular types of low-cost keyboards available, the elastomeric conductor type, has a key pressure versus contact resistance characteristic that can generate continuous noise during "teasing" or low pressure key depressions. The MM5763 defines a series contact resistance up to 50 k $\Omega$  as a valid key closure, assuring a reliable interface for that type of keyboard.

### AUTOMATIC DISPLAY CUTOFF

If no key is depressed for approximately twenty-five seconds, an internal automatic display cutoff circuit will blank all segments and display nine decimal points. Any key depression will restore the display; to restore the display without modifying the status of the calculator, use two Change Sign key depressions.

### READY SIGNAL OPERATION

The Ready signal indicates calculator status. When the calculator is in an "idle" state the output is at a Logical High Level (near  $V_{SS}$ ). When a key is closed, the internal key entry timer is started. Ready remains high until the time-out is completed and the key entry is accepted as valid, then goes low as indicated in Figures 4 and 5. It remains at a Logical Low Level until the function initiated by the key is completed and the key is released. The low

to high transition indicates the calculator has returned to an idle state and a new key can be entered.

### ERROR INDICATION

In the event of an operating error, the MM5763 will display all zeros and all decimal points. The error indication occurs if division by zero is attempted or either a result or intermediate value exceeds 99999999.

The indication is cleared by depressing any key.

If an error results from a "+" or "-" key, the X-register is cleared and the last entry is saved in the A-register; all other registers are not effected. An error condition during "x" or "÷" operations clears X without changing any of the other registers.

Overflow as a result of the statistical keys can effect any register they use; "CA" should be depressed if an error occurs.

Overflow as a result of "M+" saves the value stored in M, clears X and displays the error indication. Calculations are immediately stopped and other registers are not cleared.

### AUTOMATIC CONSTANT

The MM5763 retains as a constant the first factor of a multiplication calculation or the second factor of a division calculation, when that calculation is terminated by "=" key, "%" key or "=+" key. Subsequent calculations using the stored constant are made by entering a number and operating upon it with the appropriate terminator ("=", "%", or "=+" key). The T-register is used to store the constant in the constant mode of operation.

The calculator automatically changes to the chain mode when a "x" or "÷" key occurs in the calculation. In the chain mode, the result of each "x" or "÷" key is stored in both X and T-registers. A new entry replaces X without altering T. At the completion of a chain calculation, the T-register will contain the value used as first factor of the last multiply, or the latest entry if the last operation was a divide.

Table I summarizes the four modes.

TABLE I. Mode Summary

| MODE              | KEYS THAT SET MODE  | DESCRIPTION<br>(See Calculation Examples)  |
|-------------------|---|--|
| CONSTANT MULTIPLY | "CLEAR"<br>"="  | Depression of an "=", "="+ or "% key will multiply the X-register by the T-register and replace X with the product. T remains unchanged. |
| CHAIN MULTIPLY    | "x"<br>following a terminator, or "÷"<br>or "x" operation                   | Depression of an "=", "="+ or "% key will multiply the X-register by the Y-register and place the product in X. T remains unchanged.     |
| CONSTANT DIVIDE   | "=" }<br>"="+ }<br>"% }<br>With calculator previously in chain divide mode. | Depression of an "=", "="+ or "% key will divide the X-register by the T-register and replace X with the quotient. T is unchanged.       |
| CHAIN DIVIDE      | "÷"<br>following a terminator or "÷"<br>or "x" operation                    | Depression of an "=", "="+ or "% key will divide the T-register by the X-register, transfer X to T, and place the quotient in X.         |

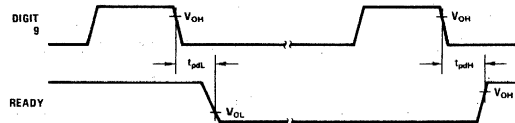


FIGURE 4. Ready Timing.

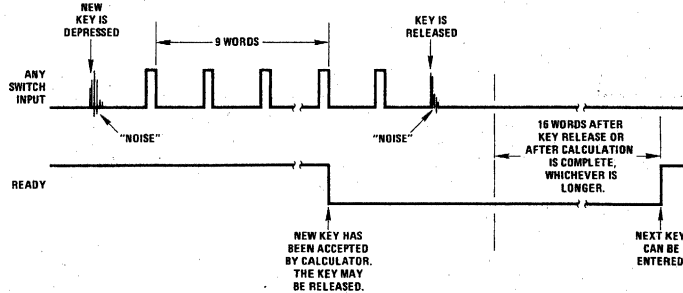


FIGURE 5. Functional Description of Ready Signal and Key Entry.

## KEY OPERATIONS

(Note: Register X is always displayed.)

### Clear Key, "C"

Following a number entry key, it clears the X-register only (clear entry). Following any other key it clears registers X, K, C, S, N and T.

### Clear All Key, "CA"

Clears all registers and sets the calculator to the constant multiply mode.

### Number Entries

The first entry clears the X-register and enters the number into the LSD of X. Second through eighth entries (excluding a decimal point) are entered one digit to the right of the last number. The ninth, and subsequent entries are ignored. First entry after a "+," "-", or "M+" following a "+" or "-" key causes the number in the X-register to be transferred to the A-register before clearing and placing the new entry in X.

### Decimal Point, "."

As the first depression of a number entry, it clears the X-register and places a point in the left most digit. If the previous key was a number, it enters a decimal point to the right of the last number entered. Following a "+," "-", or "M+" following a "+" or "-", the X-register is transferred to A, cleared and a decimal point entered in the leftmost digit. The last decimal point depression of a number entry is accepted as the valid point.

### Change Sign Key, "CS"

Changes sign of register X.

### Addition Key, "+"

If the previous key was not a "+ or "-" key, the number in the A-register is added to the X-register, X is transferred to A, and the sum is stored in X. When the last key was a "+" or "-" key, the number in A is added to the number in X without destroying the value of A. The sum is stored in X.

**Subtraction Key, "--"**

If the previous key was not a "+" or "-" key, the number in the X-register is subtracted from the number in the A-register, X is transferred to A, and the difference is stored in X. When the last key was a "+" or "-" key, the number in A is subtracted from X without destroying the value of A. The result is stored in X.

**Multiplication Key, "x"**

If there has not been a "x" or "÷" key since the last terminator key ("=", "= +" or "%"), the value of the X-register is copied into the T-register and the calculator is set to the chain multiply mode. In a chain calculation in which there has been a "x" key since the last terminator or "÷" key, X is multiplied by T and the resulting product is stored in both X and T; if a "÷" key has occurred since the last terminator or "x" key, depression of "x" will divide the T-register by the X-register, with the quotient stored in both X and T.

**Division Key, "÷"**

If there has not been a "x" or "÷" key since the last terminator key ("=", "= +" or "%"), the value of the X-register is copied into the T-register and the calculator is set to the chain divide mode. In a chain calculation if a "x" key has occurred since the last terminator or "÷" key, X is multiplied by T and the product is stored in both X and T; if a "÷" key has occurred since the last terminator or "x" key, depression of "÷" will divide the T-register by the X-register, with the quotient stored in both X and T.

**Equal Key, "="**

In the chain multiply mode, the value in the X-register is multiplied by the T-register with the product stored in X. Register T remains unchanged. In the chain divide mode, depression of "=" will divide Y by X, transfer X to T, and place the quotient in X. If the calculator is in constant multiply, "=" will multiply X by T, place the product in X and retain T. For constant divide, the X-register is divided by T, the quotient is stored in X; T is unchanged.

The "=" key always rounds the answer stored in X to two places to the right of the decimal point, and clears register A.

**Per Cent Key, "%"**

This key acts exactly like the "=" key except the value of X is divided by 100 and copied in register A before performing the required operation. Register A is not cleared. The result stored in the X-register is rounded to two decimal positions.

**Automatic Accumulation Key, "= +"**

It acts just like the "=" key in all modes. After the result is stored in X, the value of X is added to the number in the M-register. The result stored in X and accumulated into M is rounded to two decimal places. Register A is cleared.

**Memory Recall/Memory Clear Key, "MR"**

Following any key except "MR," the value of the M-register is copied in to the X-register. If the preceding key was "+," "--" or "M+" following "+" or "--," the number in the X-register is transferred to the A-register before M is recalled. Following another "MR" key, the M-register is transferred to X, then cleared.

**Memory Plus Key, "M+"**

The number in the X-register is accumulated in the M-register. Registers X and A are not changed, so the repeat addition or subtraction conditions that existed before accumulation to memory are still valid.

**Square Root Key, " $\sqrt{x}$ "**

The absolute value of the number in the X-register is replaced with its square root.

**Sum of X Key, " $\Sigma x$ "**

Adds X to the C-register, adds the square of X to the T-register, saves the value of X (to four decimal places) in the Y-register and increments N by one. The operation is completed by copying N into X. The maximum value of N is 99. The register returns to zero on the 100th entry.

**Sum of Y Key, " $\Sigma y$ "**

Adds the value of X to the A-register, adds the square of X to the M-register, adds the product of X and Y to the S-register, and recalls N to X.

**Remove X Key, "REM X"**

This is used to delete a data point previously entered by " $\Sigma x$ " key. It subtracts X from C, subtracts the square of X from T, saves X to four decimal places in Y, decrements N by one and copies the new value of N in to X.

**Remove Y Key, "REM Y"**

This is used to delete an incorrect data point previously entered by the " $\Sigma y$ " key. It subtracts X from A, subtracts the square of X from M, subtracts the product of X and Y from S and copies N to X.

**Frequency of X Key, "FREQ"**

This is used to sum grouped (identical) data entries for mean and standard deviation computations. If the sign of X is positive, "FREQ" performs the " $\Sigma x$ " operation X - 1 times. When X is negative, "FREQ" performs the "REM X" function  $|X| - 1$  times.

**Mean and Standard Deviation Key, " $\bar{X}$ , SD"**

Computes both the arithmetic mean and the standard deviation of data points (entered by the " $\Sigma x$ " and "FREQ" keys) with a single key depression. The mean is stored in register X (and therefore is the initial result displayed). Standard deviation is stored in registers A and M and is displayed by using the "MR" key. Registers T, C and N are saved so that additional data points may be entered or deleted, and new mean and standard deviation values calculated.

**Correlation Coefficient and Slope Key, "COR SLOPE"**

**Y-Intercept Key, "INT"**

The correlation coefficient and slope of a least squares line fit of accumulated paired data values (that have been entered with the "Σx" and "Σy" keys) are computed with a single key stroke. The correlation coefficient is stored in registers X and S (and therefore is the initial result displayed). Slope is in M and is obtained by using the "MR" key. Registers T and C are lost.

After the "COR SLOPE" key has been used to compute a least squares line fit on a set of paired data values, any y-coordinate corresponding to a given x-coordinate lying on that line can be computed by entering the x-coordinate in X, and depressing "INT."

**TABLE II. Summary of Statistical Functions**

| KEY         | REGISTERS  | STATISTICAL EQUATION  |
|-------------|--|---|
| "Σx"        | X → Y<br>X + c → C, where c = original value of C<br>X <sup>2</sup> + t → T, where t = original value of T<br>n + 1 → N, where n = original value of N   | Σx<br>Σx <sup>2</sup><br>Increments n   |
| "Σy"        | X + a → A, where a = original value of A<br>X <sup>2</sup> + m → M, where m = original value of M<br>(X · Y) + s → S, where s = original value of S  | Σy<br>Σy <sup>2</sup><br>Σx · y   |
| "REM x"     | c - X → C<br>t - X <sup>2</sup> → T<br>n - 1 → N   | Delete X <sub>n</sub><br>Delete x <sub>n</sub> <sup>2</sup><br>Decrement n  |
| "REM y"     | a - X → A<br>m - X <sup>2</sup> → M<br>s - (X · Y) → S   | Delete y <sub>n</sub><br>Delete y <sub>n</sub> <sup>2</sup><br>Delete (x · y) <sub>n</sub>  |
| "X̄, SD"    | $\frac{C}{N} \rightarrow X$<br>$\sqrt{\frac{T - \frac{C^2}{N}}{N - 1}} \rightarrow M$  | $\bar{X} = \frac{\Sigma x}{n}$<br>$SD = \sqrt{\frac{\Sigma x^2 - \frac{(\Sigma x)^2}{n}}{n - 1}}$   |
| "COR-SLOPE" | $\frac{S - \frac{C \cdot A}{N}}{\sqrt{\left(T - \frac{C^2}{N}\right)\left(M - \frac{A^2}{N}\right)}} \rightarrow X, S$<br>$\frac{S - \frac{C \cdot A}{N}}{T - \frac{C^2}{N}} \rightarrow M$<br>$\frac{A - M \cdot C}{N} \rightarrow A$ | $r = \frac{\Sigma x \cdot y - \frac{\Sigma x \cdot \Sigma y}{n}}{\sqrt{\left(\Sigma x^2 - \frac{(\Sigma x)^2}{n}\right)\left(\Sigma y^2 - \frac{(\Sigma y)^2}{n}\right)}}$<br>$m = \frac{\Sigma x \cdot y - \frac{\Sigma x \cdot \Sigma y}{n}}{\Sigma x^2 - \frac{(\Sigma x)^2}{n}}$<br>$b = \frac{\Sigma y - m \cdot \Sigma x}{n}$ |
| "INT"       | M · X + A → X  | Y <sub>INT</sub> = mx + b   |

**EXAMPLES**

1. Addition or subtraction

|             |                |                 |  |
|-------------|----------------|-----------------|--|
|             |                | 2.0             |  |
|             |                | 3.2             |  |
|             |                | <u>-12.3</u>    |  |
| <b>KEYS</b> | <b>DISPLAY</b> | <b>COMMENTS</b> |  |
| 2           | 2              |                 |  |
| +           | 2.             |                 |  |
| 3           | 3              |                 |  |
| .           | 3.             |                 |  |
| 2           | 3.2            |                 |  |
| +           | 5.2            |                 |  |
| 1           | 1              |                 |  |
| 2           | 1.2            |                 |  |
| .           | 1.2.           |                 |  |
| 3           | 1.2.3          |                 |  |
| -           | -7.1           |                 |  |
| C           | 0.             |                 |  |

3. Chain multiplication or division

|             |                |                 |
|-------------|----------------|-----------------|
| <b>KEYS</b> | <b>DISPLAY</b> | <b>COMMENTS</b> |
| a)          | 1              | 1               |
| x           | 1.             |                 |
| 2           | 2              |                 |
| x           | 2.             |                 |
| 3           | 3              |                 |
| .           | 3.             |                 |
| 1           | 3.1            |                 |
| x           | 6.2            |                 |
| 4           | 4              |                 |
| .           | 4.             |                 |
| 2           | 4.2            |                 |
| =           | 26.04          |                 |

2. Repeat add or subtract

|             |                |                 |
|-------------|----------------|-----------------|
| <b>KEYS</b> | <b>DISPLAY</b> | <b>COMMENTS</b> |
| 3           | 3              |                 |
| .           | 3.             |                 |
| 1           | 3.1            |                 |
| +           | 3.1            |                 |
| +           | 6.2            |                 |
| +           | 9.3            |                 |
| -           | 6.2            |                 |
| C           | 0.             |                 |

|    |     |   |
|----|-----|---|
| b) | 1   | 1 |
| 0  | 10  |   |
| ÷  | 10. |   |
| 2  | 2   |   |
| ÷  | 5.  |   |
| 1  | 1   |   |
| 0  | 10  |   |
| ÷  | 5   |   |
| 2  | 2   |   |
| =  | 2.5 |   |

EXAMPLES (Continued)

3. (Continued)

| KEYS | DISPLAY         | COMMENTS                     |
|------|-----------------|------------------------------|
| c)   |                 |                              |
| 2    | 2               |                              |
| 0    | 20              |                              |
| x    | 20.             |                              |
| 4    | 4               |                              |
| ÷    | 80.             |                              |
| 8    | 8               |                              |
| ÷    | 10.             |                              |
| 7    | 7               |                              |
| x    | 1.4 2 8 5 7 1 4 |                              |
| 4    | 4               |                              |
| =    | 5.71            | Result rounded to two places |

4. Constant multiplication or division

| KEYS | DISPLAY | COMMENTS                          |
|------|---------|-----------------------------------|
| a)   |         |                                   |
| 3    | 3       |                                   |
| x    | 3.      |                                   |
| 2    | 2       |                                   |
| =    | 6.      |                                   |
| 4    | 4       |                                   |
| =    | 12.     | First factor in constant multiply |
| 5    | 5       |                                   |
| .    | 5.      |                                   |
| 2    | 5.2     |                                   |
| =    | 15.6    |                                   |
| =    | 46.8    |                                   |
| b)   |         |                                   |
| 5    | 5       |                                   |
| ÷    | 5.      |                                   |
| 2    | 2       |                                   |
| =    | 2.5     |                                   |
| 4    | 4       |                                   |
| =    | 2.      | Second factor in constant divide  |
| 5    | 5       |                                   |
| .    | 5.      |                                   |
| 2    | 5.2     |                                   |
| =    | 2.6     |                                   |
| =    | 1.3     |                                   |

5. To perform products of sum; e.g.,

$(5 + 4) \times (3 + 2) / (6 + 7) =$

| KEYS | DISPLAY | COMMENTS  |
|------|---------|---|
| 5    | 5       |   |
| +    | 5.      |   |
| 4    | 4       |   |
| +    | 9.      |   |
| x    | 9.      |   |
| 3    | 3       |   |
| +    | 3.      |   |
| 2    | 2       |   |
| +    | 5.      |   |
| ÷    | 45.     | $(5 + 4) \times (3 + 2)$ is executed                    |
| 6    | 6       |   |
| +    | 6.      |   |
| 7    | 7       |   |
| +    | 13.     |   |
| =    | 3.46    | $45 \div (6 + 7)$ is executed and rounded to two places |

6. Calculate percentage

5% of 300.25

| KEYS | DISPLAY | COMMENTS  |
|------|---------|---|
| 3    | 3       |   |
| 0    | 30      |   |
| 0    | 300     |   |
| .    | 300.    |   |
| 2    | 300.2   |   |
| 5    | 300.25  |   |
| x    | 300.25  |   |
| 5    | 5       |   |
| %    | 15.01   | "Live %" key executes operation and rounds two places |

7. Perform add-on and discount

| KEYS                    | DISPLAY | COMMENTS                 |
|-------------------------|---------|--------------------------|
| a) Add-On, 125 + 5%     |         |                          |
| 1                       | 1       |                          |
| 2                       | 12      |                          |
| 5                       | 125.    |                          |
| x                       | 125.    |                          |
| 5                       | 5       |                          |
| %                       | 6.25    | 5% of 125 is displayed   |
| +                       | 131.25  | 125 + 5% is displayed    |
| b) Discount, 532.1 - 6% |         |                          |
| 5                       | 5       |                          |
| 3                       | 53      |                          |
| 2                       | 532     |                          |
| .                       | 532.    |                          |
| 1                       | 532.1   |                          |
| x                       | 532.1   |                          |
| 6                       | 6       |                          |
| %                       | 31.93   | 6% of 532.1 is displayed |
| -                       | 500.17  | 532.1 - 6% is displayed  |

8. Perform change sign

| KEYS | DISPLAY | COMMENTS                              |
|------|---------|---------------------------------------|
| 1    | 1       |                                       |
| 2    | 12      |                                       |
| CS   | -12     | Change sign does not terminate entry. |
| 3    | -123    |                                       |
| .    | -123.   |                                       |
| CS   | 123.    |                                       |
| 5    | 123.5   |                                       |
| CS   | -123.5  |                                       |
| 6    | -123.56 |                                       |
| C    | 0.      |                                       |

9. Accumulate in memory, recall and clear memory

| KEYS | DISPLAY | COMMENTS                           |
|------|---------|------------------------------------|
| a)   |         |                                    |
| 3    | 3       |                                    |
| M+   | 3.      | Accumulate in memory               |
| 4    | 4       |                                    |
| M+   | 4.      | Accumulate in memory               |
| 5    | 5       |                                    |
| MR   | 7.      | Recall memory                      |
| MR   | 7.      | Recall and clear memory            |
| MR   | 0.      | Recall and clear memory            |
| b)   |         |                                    |
| 5    | 5       |                                    |
| +    | 5.      |                                    |
| 6    | 6       |                                    |
| +    | 11.     |                                    |
| M+   | 11.     | Accumulate in memory               |
| 7    | 7       |                                    |
| +    | 18.     |                                    |
| M+   | 18.     | Accumulate in memory               |
| +    | 25.     | Repeat add                         |
| 3    | 3       |                                    |
| 2    | 32      |                                    |
| .    | 32.     |                                    |
| 2    | 32.2    |                                    |
| CS   | -32.2   |                                    |
| M+   | -32.2   |                                    |
| 9    | 9       |                                    |
| +    | 34.     |                                    |
| MR   | -32     | Accumulated value of M is recalled |
| +    | 30.8    |                                    |
| MR   | -32     | Accumulated value of M is recalled |
| MR   | -32     | M is cleared                       |
| MR   | 0.      |                                    |

EXAMPLES (Continued)

10. Accumulate in memory with the "=" + key

| KEYS | DISPLAY | COMMENTS                                   |
|------|---------|--|
| 5    | 5       |  |
| x    | 5.      |  |
| 3    | 3       |  |
| =+   | 15.     | 5 x 3 = 15 is added to M                   |
| 4    | 4       |  |
| .    | 4.      |  |
| 2    | 4.2     |  |
| x    | 4.2     |  |
| 3    | 3       |  |
| =+   | 12.6    | 4.2 x 3 = 12.6 is added to M               |
| 6    | 6       |  |
| ÷    | 6.      |  |
| 7    | 7       |  |
| =+   | .86     | Rounded to 2 decimal places and added to M |
| 9    | 9       |  |
| CS   | -9      | Note method of multiplying negative number |
| x    | -9.     |  |
| 4    | 4       |  |
| =+   | -36.    | -9 x 4 = -36 is added to M                 |
| MR   | -7.54   |  |

|                |           |                                     |
|----------------|-----------|-------------------------------------|
| CS             | -7        |                                     |
| FREQ x         | 3.        | Negative x sets "REMOVE x" function |
| 5              | 5         |                                     |
| Σx             | 4.        |                                     |
| 4              | 4         |                                     |
| FREQ x         | 7.        | Corrected data has been entered     |
| $\bar{X}$ , SD | 4.5714285 |                                     |
| MR             | .53452315 |                                     |

STATISTICAL FUNCTIONAL EXAMPLES

1. Perform mean and standard deviation

a) Data: 4.0, 5.1, 4.5

| KEYS           | DISPLAY   | COMMENTS  |
|----------------|-----------|---|
| CA             | 0.        |   |
| 4              | 4         |   |
| Σx             | 1.        | Display indicates first data point has been entered         |
| 5.1            | 5.1       |   |
| Σx             | 2.        | 2nd data point entered                                      |
| 4.5            | 4.5       |   |
| Σx             | 3.        | 3rd data point entered                                      |
| $\bar{X}$ , SD | 4.5333333 | Mean and standard deviation are computed; mean is displayed |
| MR             | .55075765 | Standard deviation is recalled from M                       |

b) Data: 3, 3, 3, 3, 4.1, 3.6

|                |           |  |
|----------------|-----------|--|
| CA             | 0.        | Always use "CA" after mean and SD calculation                        |
| 3              | 3         |  |
| Σx             | 1.        |  |
| 4              | 4         |  |
| FREQ x         | 4.        | Grouped data points may be entered conveniently using the "FREQ" key |
| 4.1            | 4.1       |  |
| Σx             | 5.        |  |
| 3.9            | 3.9       |  |
| Σx             | 6.        | Wrong data entry   |
| 3.9            | 3.9       |  |
| REM x          | 5.        | Wrong data is removed. Five data points are entered.                 |
| 3.6            | 3.6       |  |
| Σx             | 6.        |  |
| $\bar{X}$ , SD | 3.2833333 | Mean and standard deviation are computed: $\bar{X}$ is displayed     |
| MR             | .46654774 | Standard deviation is recalled from M                                |

c) Correction of group data entered with "FREQ"  
Data: 4, 4, 4, 5, 5, 5

|        |     |                          |
|--------|-----|--------------------------|
| CA     | 0.  |                          |
| 4      | 4   |                          |
| Σx     | 1.  |                          |
| 3      | 3   |                          |
| FREQ x | 3.  |                          |
| 5      | 5   |                          |
| Σx     | 4.  |                          |
| 7      | 7   |                          |
| FREQ x | 10. | 7 is incorrectly entered |
| 5      | 5   |                          |
| REM x  | 9.  |                          |
| 7      | 7   |                          |

d) Compute running mean and standard deviations

Data: 7, 8, 6, 7, 5

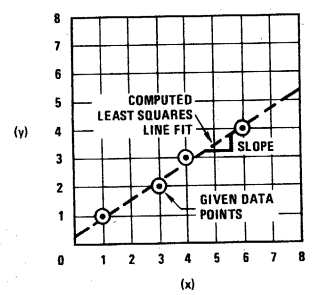
|                |           |  |
|----------------|-----------|--|
| CA             | 0.        |  |
| 7              | 7         |  |
| Σx             | 1.        |  |
| 8              | 8         |  |
| Σx             | 2.        | n = 2  |
| $\bar{X}$ , SD | 7.5       | Mean of first two data entries               |
| MR             | .70710678 | Standard deviation of first two data entries |
| 6              | 6         |  |
| Σx             | 3.        | n = 3  |
| $\bar{X}$ , SD | 7.        | Mean of first three entries                  |
| MR             | 1.        | Standard deviation of first three entries    |
| 7              | 7         |  |
| Σx             | 4.        | n = 4  |
| $\bar{X}$ , SD | 7.        | Mean of first four entries                   |
| MR             | .81649657 | Standard deviation of first four entries     |
| 5              | 5         |  |
| Σx             | 5.        |  |
| $\bar{X}$ , SD | 6.6       | Mean of all five entries                     |
| MR             | 1.1401754 | Standard deviation of all five entries       |

2. To perform least squares line fit on given data  
(See plotted data on page 10)

| KEYS          | DISPLAY   | COMMENTS   |
|---------------|-----------|--|
| a) Data: 1, 1 |           |  |
| 3, 2          |           |  |
| 4, 3          |           |  |
| 6, 4          |           |  |
| CA            | 0.        |  |
| 1             | 1         |  |
| Σx            | 1.        | n = 1  |
| 1             | 1         |  |
| Σy            | 1.        |  |
| 3             | 3         |  |
| Σx            | 2.        | n = 2  |
| 2             | 2         |  |
| Σy            | 2.        |  |
| 4             | 4         |  |
| Σx            | 3.        | n = 3  |
| 3             | 3         |  |
| Σy            | 3.        |  |
| 6             | 6         |  |
| Σx            | 4.        |  |
| 4             | 4         |  |
| Σy            | 4.        |  |
| COR-SLOPE     | .99227788 | Correlation coefficient is displayed (perfect correlation = 1.0) |
| MR            | .61538461 | Slope of least squares line fit is recalled from M               |
| 0             | 0         | x = 0  |
| INT           | .346154   | y-intercept of least squares line at x = 0 is computed           |
| 8             | 8         | x = 8  |
| INT           | 5.2692308 | y-intercept of least squares line at x = 0 is computed           |

STATISTICAL FUNCTION EXAMPLES (Continued)

2. (Continued)



b) Data: 2, 5  
1, 4  
0, 3

| KEYS | DISPLAY | COMMENTS |
|------|---------|----------|
| CA   | 0.      |          |
| 2    | 2       |          |

| KEYS       | DISPLAY | COMMENTS                             |
|------------|---------|--------------------------------------|
| $\Sigma x$ | 1.      | $n_x = 1$                            |
| 5          | 5       |                                      |
| $\Sigma y$ | 1.      | $n_y = 1$                            |
| 8          | 8       | Wrong data point is entered          |
| $\Sigma x$ | 2.      | $n_x = 2$                            |
| 9          | 9       |                                      |
| $\Sigma y$ | 2.      | $n_y = 2$                            |
| 8          | 8.      | Wrong data point is removed          |
| REM x      | 1.      | $n_x = 1$                            |
| 9          | 9       |                                      |
| REM y      | 1.      | $n_y = 1$                            |
| 1          | 1       |                                      |
| $\Sigma x$ | 2.      | $n_x = 2$                            |
| 4          | 4       |                                      |
| $\Sigma y$ | 2.      | $n_y = 2$                            |
| 0          | 0       |                                      |
| $\Sigma x$ | 3.      | $n_x = 3$                            |
| 3          | 3       |                                      |
| $\Sigma y$ | 3.      | $n_y = 3$                            |
| 3          | 3       |                                      |
| COR-SLOPE  | 1.      | Correlation coefficient is displayed |
| MR         | 1.      | Slope is displayed                   |
| 3          | 3       | For $x = 3$ ,                        |
| INT        | 6.      | the y-intercept is 6                 |





## MM5764 conversion calculator

### general description

The single-chip MM5764 Conversion Calculator was developed using a metal-gate, P-channel enhancement and depletion mode MOS/LSI technology with low end-product cost as a primary objective. A complete calculator as shown in *Figure 1* requires only the MM5764, a keyboard, DS8864 digit driver, NSA1298 LED display, 9V battery and appropriate hardware.

Keyboard decoding and key debounce circuitry, all clock and timing generation and 7-segment output display encoding are included on-chip and require no external components. Segments can usually be driven directly from the MM5764, as it typically sources about 8.5 mA of peak current. [Note: The typical duty cycle of each digit is 0.104; average LED segment current is therefore approximately 0.104 (8.5 mA), or 0.9 mA average. Correspondingly the worst-case average segment current is 0.104 (5.0 mA), or 0.52 mA.] The ninth digit (left-most) is used for the negative sign, or the decimal point of a number less than unity.

An internal power-on clear circuit is included that clears all registers, including the memory, when  $V_{DD}$  and  $V_{SS}$  are initially applied to the chip.

Trailing zero suppression allows convenient reading of the left justified display, and conserves power. The DS8864 digit driver is capable of sensing a low battery voltage and providing a signal during Digit 9 time that can be used to turn on one of the segments as an indicator. Typical current drain of a complete calculator displaying five "5's" is 30 mA. Automatic display cutoff is included. If no key closure occurs for approximately 25 seconds, all numbers are blanked and all decimal points displayed.

The Ready output signal is used to indicate calculator status. It is useful in providing synchronization information for testing or applications where the MM5764 is used with other logic or integrated circuits; e.g., with the MM5765 Programmer (*Figure 3*).

Thirty-two keys are arranged in a four-by-nine matrix as shown in Table I. There is an automatic constant feature.

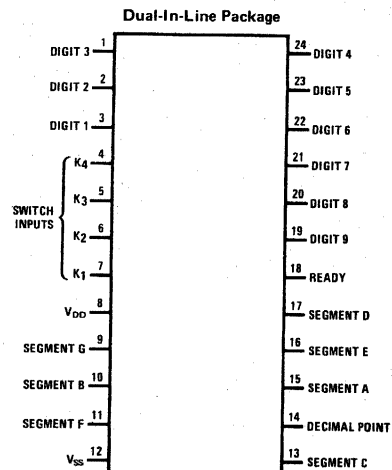
The user has access to five registers designated X, T, A, K and M. The X-register is used for keyboard entry and display. The T and A-registers are used in multiply/divide and add/subtract calculations, respectively. M is an accumulating storage memory. The K-register is used to store a user defined conversion constant.

Data is entered into the calculator in floating point business notation. All entries and results are displayed left justified with insignificant zeros to the right of the decimal point suppressed. All intermediate results of a chain calculation are floating point. Terminating keys "=", "%", and "= + " round the displayed result to two decimal places.

### features

- Full 8-digit entry and display calculator
- Arithmetic functions: +, -, x, ÷, %, 1/x
- Percent mark-up and discount
- Twenty automatic conversions
- A user definable conversion key
- Change sign and "π" keys
- Accumulating memory: MR, M+, =+, MC
- Square root
- Auto constant
- Business notation
  - +, - "adding machine" notation
  - x, ÷, = algebraic notation
- Automatic power-on clear
- Automatic display cutoff
- Direct 9V battery compatibility; low power

### connection diagram



Order Number MM5764N  
See Package 22

**absolute maximum ratings**

Voltage at Any Pin Relative to  $V_{SS}$ . (All other pins connected to  $V_{SS}$ )  $V_{SS} + 0.3V$  to  $V_{SS} - 12.0$   
 Ambient Operating Temperature  $0^{\circ}C$  to  $+70^{\circ}C$   
 Ambient Storage Temperature  $-55^{\circ}C$  to  $+150^{\circ}C$   
 Lead Temperature (Soldering, 10 seconds)  $300^{\circ}C$

**operating voltage range**

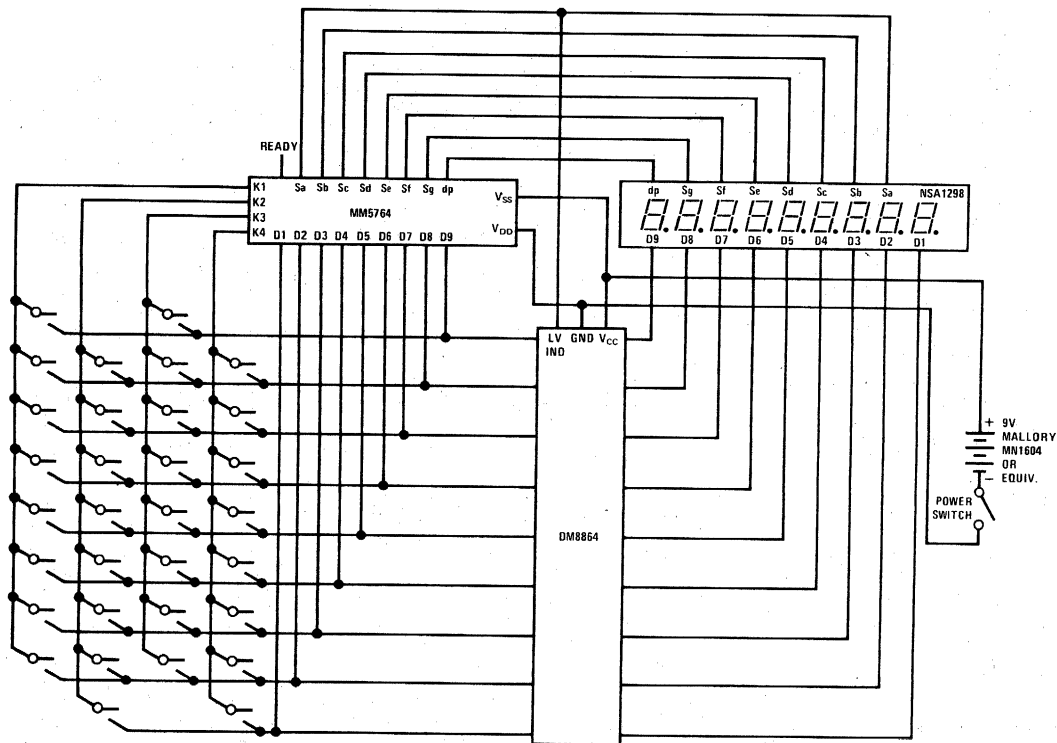
$6.5V \leq V_{SS} - V_{DD} \leq 9.5V$   
 $V_{SS}$  always defined as most positive supply voltage.

**dc electrical characteristics**

| PARAMETER  | CONDITIONS   | MIN            | TYP           | MAX                              | UNITS          |
|--|--|----------------|---------------|----------------------------------|----------------|
| Operating Supply Current ( $I_{DD}$ )                    | $V_{DD} = V_{SS} - 9.5V, T_A = 25^{\circ}C$  |                |               | 16.0                             | mA             |
| Keyboard Scan Input Levels (K1, K2, K3 and K4)           |  |                |               |                                  |                |
| Logical High Level                                       | $V_{SS} - 6.5V \leq V_{DD} \leq V_{SS} - 9.5V$   | $V_{SS} - 2.5$ |               |                                  | V              |
| Logical Low Level  | $V_{DD} = V_{SS} - 6.5V$<br>$V_{DD} = V_{SS} - 9.5V$   |                |               | $V_{SS} - 5.0$<br>$V_{SS} - 6.0$ | V<br>V         |
| Digit Output Levels                                      |  |                |               |                                  |                |
| Logical High Level ( $V_{OH}$ )                          | $R_{LOAD} = 3.2 k\Omega$ to $V_{DD}$<br>$V_{SS} - 6.5V \leq V_{DD} \leq V_{SS} - 9.5V$   | $V_{SS} - 1.5$ |               |                                  | V              |
| Logical Low Level ( $V_{OL}$ )                           | $V_{DD} = V_{SS} - 6.5V$<br>$V_{DD} = V_{SS} - 9.5V$   |                |               | $V_{SS} - 6.0$<br>$V_{SS} - 7.0$ | V<br>V         |
| Segment Output Current (Sa through Sg and Decimal Point) | $T_A = 25^{\circ}C$<br>$V_{OUT} = V_{SS} - 3.6V, V_{DD} = V_{SS} - 6.5V$<br>$V_{OUT} = V_{SS} - 5V, V_{DD} = V_{SS} - 8V$<br>$V_{OUT} = V_{SS} - 6.5V, V_{DD} = V_{SS} - 9.5V$ | -5.0           | -8.5<br>-10.0 | -15.0                            | mA<br>mA<br>mA |
| Ready Output Levels                                      |  |                |               |                                  |                |
| Logical High Level ( $V_{OH}$ )                          | $I_{OUT} = -0.4 mA$  | $V_{SS} - 1.0$ |               |                                  | V              |
| Logical Low Level ( $V_{OL}$ )                           | $I_{OUT} = 10\mu A$  |                |               | $V_{DD} + 1.0$                   | V              |

**ac electrical characteristics**

| PARAMETER  | CONDITIONS                                  | MIN  | TYP  | MAX | UNITS   |
|--|---|------|------|-----|---------|
| Word Time (Figure 2)   |   | 0.32 | 0.8  | 2.0 | ms      |
| Digit Time (Figure 2)  |   | 36   | 89   | 222 | $\mu s$ |
| Segment Blanking Time (Figure 2)   |   | 2    | 5.5  | 14  | $\mu s$ |
| Digit Output Transition Times ( $t_{RISE}$ and $t_{FALL}$ )  | $C_{LOAD} = 100 pF, R_{LOAD} = 9.6 k\Omega$ |      | 2    |     | $\mu s$ |
| Keyboard Inputs High to Low Transition Time After Key Release  | $C_{LOAD} = 100 pF$                         |      | 4    |     | $\mu s$ |
| Ready Output Propagation Time (Figure 3)   |   |      |      |     |         |
| Low to High Level ( $t_{PDH}$ )  | $C_{LOAD} = 100 pF$                         | 10   |      | 50  | $\mu s$ |
| High to Low Level ( $t_{PDL}$ )  | $C_{LOAD} = 100 pF$                         |      |      | 1   | ms      |
| Key Input Time-out   |   |      |      |     |         |
| Key Entry  |   | 2.8  | 7.2  | 18  | ms      |
| Key Release  |   | 5.1  | 12.8 | 32  | ms      |
| Display Cutoff Time (The time after the last valid key closure that all numbers will be blanked and all decimal points displayed.) |   | 10   | 25   | 63  | sec     |



KEYBOARD  
 Note: See Table II for Key Matrix Designations.

FIGURE 1. Complete Calculator Schematic

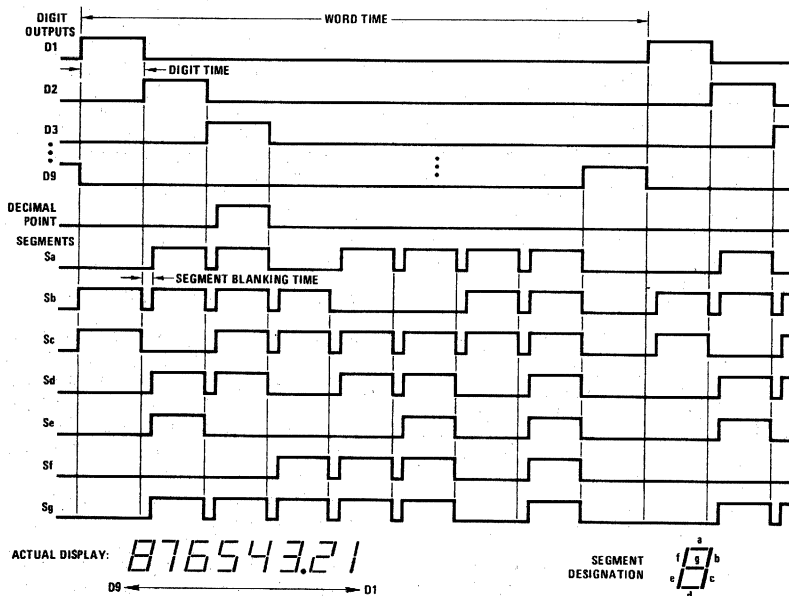


FIGURE 2. Display Timing Diagram

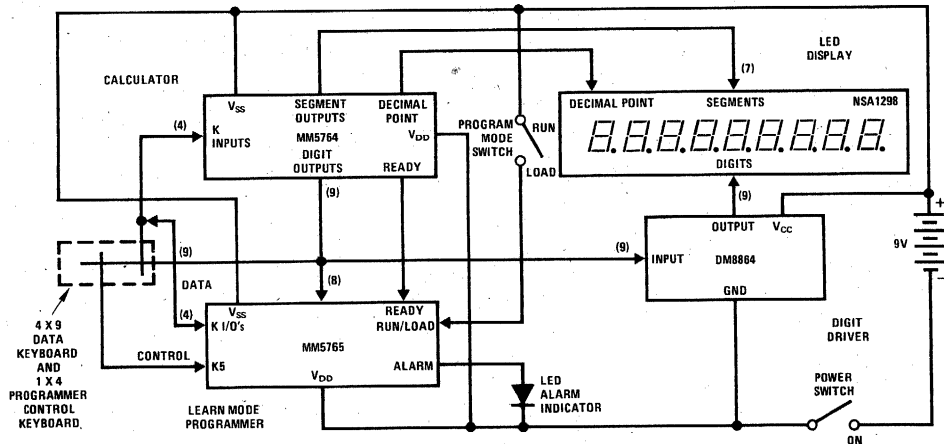


FIGURE 3. Low Cost Handheld Programmable Calculator Using the MM5764 Calculator and MM5765 Programmer.

### KEYBOARD BOUNCE AND NOISE REJECTION

The MM5764 is designed to interface with most low cost keyboards, which are often the least desirable from a false or multiple entry standpoint.

A key closure is sensed by the calculator chip when one of the key inputs, K1, K2, K3 or K4 are forced more positive than the Logical High Level specified in the electrical specifications. An internal counter is started as a result of the closure. The key operation begins after nine word times if the key input is still at a Logical High Level. As long as the key is held down (and the key input remains high) no further entry is allowed. When the key input changes to a Logical Low Level, the internal counter starts a sixteen word time-out for key release. During both entry and release time-outs the key inputs are sampled approximately every other word time for valid levels. If they are found invalid, the counter is reset and the calculator assumes the last valid key input state.

One of the popular types of low-cost keyboards available, the elastomeric conductor type, has a key pressure versus contact resistance characteristic that can generate continuous noise during "teasing" or low pressure key depressions. The MM5764 defines a series contact resistance up to 50 k $\Omega$  as a valid key closure, assuring a reliable interface for that type of keyboard.

### AUTOMATIC DISPLAY CUTOFF

If no key is depressed for approximately twenty-five seconds, an internal automatic display cutoff circuit will blank all segments and display nine decimal points. Any key depression will restore the display; to restore the display without modifying the status of the calculator, use two Change Sign key depressions.

### READY SIGNAL OPERATION

The Ready signal indicates calculator status. When the calculator is in an "idle" state the output is at a Logical High Level (near  $V_{SS}$ ). When a key is closed, the internal key entry timer is started. Ready remains high until the time-out is completed and the key entry is accepted as

valid, then goes low as indicated in *Figures 4 and 5*. It remains at a Logical Low Level until the function initiated by the key is completed and the key is released. The low to high transition indicates the calculator has returned to an idle state and a new key can be entered.

### ERROR INDICATION

In the event of an operating error, the MM5764 will display all zeros and all decimal points. The error indication occurs if division by zero is attempted or either a result or intermediate value exceeds 99999999.

The indication is cleared by depressing any key.

If an error results from a "+" or "-" key, the X-register is cleared and the last entry is saved in the A-register; no other registers are affected. An error condition during "x" or " $\div$ " operations clears X without changing any of the other registers.

Overflow as a result of "M+" saves the value stored in M, clears X and displays the error indication. Calculations are immediately stopped and other registers are not cleared.

Overflow as a result of a conversion clears X and saves all other registers.

### AUTOMATIC CONSTANT

The MM5764 retains as a constant the first factor of a multiplication calculation or the second factor of a division calculation, when that calculation is terminated by "=" key, "%" key or "= +" key. Subsequent calculations using the stored constant are made by entering a number and operating upon it with the appropriate terminator ("=" "%" or "= +" key). The T-register is used to store the constant in the constant mode of operation.

The calculator automatically changes to the chain mode when a "x" or " $\div$ " key occurs in the calculation. In the chain mode, the result of each "x" or " $\div$ " key is stored in both X and T-registers. A new entry replaces X without altering T. At the completion of a chain

TABLE I. Mode Summary

| MODE              | KEYS THAT SET MODE   | DESCRIPTION<br>(See Calculation Examples)   |
|-------------------|--|---|
| CONSTANT MULTIPLY | "CLEAR"<br>"="   | Depression of an "=" "M+" or "M%" key will multiply the X-register by the T-register and replace X with the product. T remains unchanged. |
| CHAIN MULTIPLY    | "X,"<br>following a terminator, or "÷"<br>or "x" operation | Depression of an "=" "M+" or "M%" key will multiply the X-register by the T-register and place the product in X. T remains unchanged.     |
| CONSTANT DIVIDE   | "÷"<br>"÷"<br>"÷"  | Depression of an "÷" "M÷" or "M%" key will divide the X-register by the T-register and replace X with the quotient. T is unchanged.       |
| CHAIN DIVIDE      | "÷"<br>following a terminator or "÷"<br>or "x" operation   | Depression of an "÷" "M÷" or "M%" key will divide the T-register by the X-register, transfer X to T, and place the quotient in X.         |

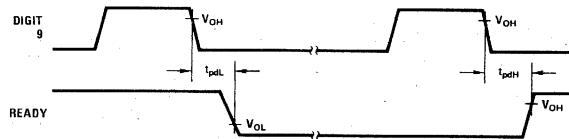


FIGURE 4. Ready Timing

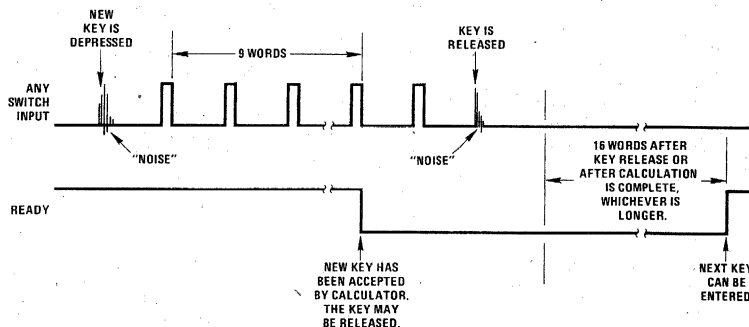


FIGURE 5. Functional Description of Ready Signal and Key Entry.

calculation, the T-register will contain the value used as first factor of the last multiply, or the latest entry if the last operation was a divide.

Table I summarizes the four modes.

## KEY OPERATIONS

(Note: X-register is always displayed.)

### Clear Key, "C"

Following a number key, it clears only the X-register (clear entry); after any other key, it clears registers X, A and T.

### Number Entries

The first entry clears the X-register and enters the number as the LSD of X. Second through eighth entries (excluding a decimal point) are entered one digit to the right of the previous number. The ninth, and subsequent entries, are ignored. First entry after a "M+,"

"M÷" or "M%" following a "M+" or "M-" key transfers the existing number in the X-register to the A-register before clearing and placing the new entry in X.

## Conversion Functions

With the exception of the six single function conversion keys, all conversions are preceded by either the shift key, "M→," or the reverse conversion key, "M←." Depression of the appropriate conversion key replaces the value in the X-register with a converted result, as summarized in Table II. The six single function keys (inches → mm, "inches → cm," "ft → inches," "ft → m," "yds → m" and "miles → km") do not need to be preceded by the shift key, "M→," for forward conversions. Only the X-register is affected by a conversion operation.

## Constant Store Key, "KS"

The value of X is copied into the K-register. Following a forward conversion key, "M→," X is multiplied by K and the product stored in X; following a "M←" key, X is divided by K, and the quotient is stored in X.

**Decimal Point, "."**

As the first depression of a number entry, it clears the X-register and places a point in the leftmost digit. If the previous key was a number, it enters a decimal point to the right of the last number entered. Following a "+", "-", or those keys preceding a "M+" key, the X-register is transferred to A, cleared and a decimal point entered in the leftmost digit. The last decimal point depression in a single number entry is accepted as the valid point.

**Change Sign Key, "CS"**

Changes sign of register X.

**Addition Key, "+"**

If the previous key was not a "+" or "-" key, the number in the A-register is added to the X-register, X is transferred to A, and the sum is stored in X. When the last key was a "+" or "-" key, the number in A is added to the number in X without destroying the value of A. The sum is stored in X.

**Subtraction Key, "-"**

If the previous key was not a "+" or "-" key, the number in the X-register is subtracted from the number in the A-register, X is transferred to A, and the difference is stored in X. When the last key was a "+" or "-" key, the number in A is subtracted from X without destroying the value of A. The result is stored in X.

**Multiplication Key, "x"**

If there has not been an "x" or "÷" key since the last terminator key ("=", "+", or "%"), the value of the X-register is copied into the T-register and the calculator is set to the chain multiply mode. In a chain calculation in which there has been a "x" key since the last terminator or "÷" key, X is multiplied by T and the resulting product is stored in both X and T; if a "÷" key has occurred since the last terminator or "x" key, depression of "x" will divide the T-register by the X-register, with the quotient stored in both X and T.

**Division Key, "÷"**

If there has not been an "x" or "÷" key since the last terminator key ("=", "+", or "%"), the value of the X-register is copied into the T-register and the calculator is set to the chain divide mode. In a chain calculation if a "x" key has occurred since the last terminator or "÷" key, X is multiplied by T and the product is stored in both X and T; if a "÷" key has occurred since the last terminator or "x" key, depression of "÷" will divide the T-register by the X-register, with the quotient stored in both X and T.

**Equal Key, "="**

In the chain multiply mode, the value in the X-register is multiplied by the T-register with the product stored

in X. Register T remains unchanged. In the chain divide mode, depression of "=" will divide T by X, transfer X to T, and place the quotient in X. If the calculator is in constant multiply, "=" will multiply X by T, place the product in X and retain T. For constant divide, the X-register is divided by T, the quotient is stored in X; T is unchanged.

The "=" key always rounds the answer stored in X to two places to the right of the decimal point, and clears register A.

**Per Cent Key, "%"**

This key acts exactly like the "=" key except the value of X is divided by 100 and copied in register A before performing the required operation. The result stored in X is rounded to two decimal positions.

**Memory Plus Key, "M+"**

The number in the X-register is accumulated in the M-register. Registers X and A are not changed, so the repeat addition or subtraction conditions that existed before accumulation to memory remain valid.

**Memory Recall Key, "MR"**

The value of register M is copied into the X-register. If the preceding key was a "+", "-", or "M+" followed by "+" or "-", the value of X is transferred to the A-register before M is copied into it.

**Memory Clear Key, "MC"**

The M-register is cleared, without affecting any other registers.

**Reciprocal Function, "1/x"**

If the number entry key "1" is preceded by either the forward or reverse conversion shift keys, "→" or "←," a non-zero value of X is replaced by its reciprocal. Registers A, T, K and M are not altered.

**Square Root Function, "√x"**

If the number entry key "2" is preceded by either the forward or reverse conversion shift keys, "→" or "←," the absolute value of X is replaced by its square root. Registers A, T, K and M are unaltered.

**Pi-function, "π"**

If the decimal point entry key is preceded by either the forward or reverse conversion shift keys, "→" or "←," the value of X is replaced by the constant 3.1415927.

**Equal Plus Key "=+"**

This key acts exactly like the "=" key followed by a "M+" key. The multiply or divide is executed, the result is rounded to two places then the rounded result is added to the Memory.

TABLE II. Summary of Key Functions

| KEY MATRIX DESIGNATION | PRIMARY KEY FUNCTION                         | IF PRECEDED BY "→" SHIFT KEY         | IF PRECEDED BY "←" SHIFT KEY         |
|------------------------|--|--------------------------------------|--------------------------------------|
| K1-D1                  | N/C  | —                                    | —                                    |
| K1-D2                  | Minus, "-"                                   | "-"                                  | "-"                                  |
| K1-D3                  | Plus, "+"                                    | "+"                                  | "+"                                  |
| K1-D4                  | Divide, "÷"                                  | "÷"                                  | "÷"                                  |
| K1-D5                  | Multiply, "x"                                | "x"                                  | "x"                                  |
| K1-D6                  | Constant Store, "KS"<br>Constant Conversion  | $X_0 \cdot K \rightarrow X$          | $X_0 \div K \rightarrow X$           |
| K1-D7                  | Ft → in                                      | $X_0 \cdot (12) \rightarrow X$       | $X_0 \div (12) \rightarrow X$        |
| K1-D8                  | In → mm                                      | $X_0 \cdot (25.4) \rightarrow X$     | $X_0 \div (25.4) \rightarrow X$      |
| K1-D9                  | In → cm                                      | $X_0 \cdot (2.54) \rightarrow X$     | $X_0 \div (2.54) \rightarrow X$      |
| K2-D1                  | Mile → km                                    | $X_0 \cdot (1.609344) \rightarrow X$ | $X_0 \div (1.609344) \rightarrow X$  |
| K2-D2                  | Ft → m                                       | $X_0 \cdot (0.3048) \rightarrow X$   | $X_0 \div (0.3048) \rightarrow X$    |
| K2-D3                  | Forward Shift, "→"                           | "→"                                  | "→"                                  |
| K2-D4                  | Memory Clear, "MC"                           | "MC"                                 | "MC"                                 |
| K2-D5                  | Yard → m                                     | $X_0 \cdot (0.9144) \rightarrow X$   | $X_0 \div (0.9144) \rightarrow X$    |
| K2-D6                  | Memory Plus, "M+"<br>MPH → knots             | $X_0 \cdot (0.86836) \rightarrow X$  | $X_0 \div (0.86836) \rightarrow X$   |
| K2-D7                  | Memory Recall, "MR"<br>Imp. Gal. → U.S. Gal. | $X_0 \cdot (1.20094) \rightarrow X$  | $X_0 \div (1.20094) \rightarrow X$   |
| K2-D8                  | Clear, "C"                                   | "C"                                  | "C"                                  |
| K2-D9                  | N/C  | —                                    | —                                    |
| K3-D1                  | N/C  | —                                    | —                                    |
| K3-D2                  | Equal, "="<br>Acres → Hectares               | $X_0 \cdot (0.404687) \rightarrow X$ | $X_0 \div (0.404687) \rightarrow X$  |
| K3-D3                  | Equal Plus, "=+"<br>Cubic Ft → gal           | $X_0 \cdot (7.4805) \rightarrow X$   | $X_0 \div (7.4805) \rightarrow X$    |
| K3-D4                  | Change Sign, "CS"<br>Atmospheres → PSI       | $X_0 \cdot (14.696) \rightarrow X$   | $X_0 \div (14.696) \rightarrow X$    |
| K3-D5                  | Decimal Point, "."<br>$\pi$                  | $3.1415927 \rightarrow X$            | $3.1415927 \rightarrow X$            |
| K3-D6                  | "9"<br>Oz → cc                               | $X_0 \cdot (29.5737) \rightarrow X$  | $X_0 \div (29.5737) \rightarrow X$   |
| K3-D7                  | "8"<br>Quarts → liters                       | $X_0 \cdot (0.946333) \rightarrow X$ | $X_0 \div (0.946333) \rightarrow X$  |
| K3-D8                  | "7"<br>Gal → liters                          | $X_0 \cdot (3.785332) \rightarrow X$ | $X_0 \div (3.785332) \rightarrow X$  |
| K3-D9                  | "6"<br>Lb → oz                               | $X_0 \cdot (16) \rightarrow X$       | $X_0 \div (16) \rightarrow X$        |
| K4-D1                  | "5"<br>Oz → grams                            | $X_0 \cdot (28.3495) \rightarrow X$  | $X_0 \div (28.3495) \rightarrow X$   |
| K4-D2                  | "4"<br>Lb → kilogram                         | $X_0 \cdot (0.453592) \rightarrow X$ | $X_0 \div (0.453592) \rightarrow X$  |
| K4-D3                  | "3"<br>Stone → lb                            | $X_0 \cdot (14) \rightarrow X$       | $X_0 \div (14) \rightarrow X$        |
| K4-D4                  | "2"<br>Square Root, " $\sqrt{X}$ "           | $\sqrt{X_0} \rightarrow X$           | $\sqrt{X_0} \rightarrow X$           |
| K4-D5                  | "1"<br>Reciprocal, "1/X"                     | $1/X_0 \rightarrow X$                | $1/X_0 \rightarrow X$                |
| K4-D6                  | "0"<br>°F → °C                               | $X_0 \cdot (9/5) + 32 \rightarrow X$ | $(X_0 - 32) \cdot 5/9 \rightarrow X$ |
| K4-D7                  | Reverse Shift, "←"                           | "←"                                  | "←"                                  |
| K4-D8                  | Percent, "%"<br>Acre → Sq. ft                | $X_0 \cdot (43560) \rightarrow X$    | $X_0 \div (43560) \rightarrow X$     |

**EXAMPLES**

**1. Addition and subtraction of a column of numbers:**

|             |                |                                   |  |
|-------------|----------------|-----------------------------------|--|
|             |                | 2.0<br>3.2<br><u>-12.3</u>        |  |
| <b>KEYS</b> | <b>DISPLAY</b> | <b>COMMENTS</b>                   |  |
| 2           | 2              |                                   |  |
| +           | 2.             | 2 is entered                      |  |
| 3           | 3              |                                   |  |
| .           | 3.             |                                   |  |
| 2           | 3.2            | 2 + 3.2 is displayed              |  |
| +           | 5.2            |                                   |  |
| 1           | 1              |                                   |  |
| 2           | 1 2            |                                   |  |
| .           | 1 2.           |                                   |  |
| 3           | 1 2.3          |                                   |  |
| -           | -7.1           | 12.3 is subtracted from (2 + 3.2) |  |
| C           | 0.             |                                   |  |

**2. Repeat add or subtract**

|             |                |                          |
|-------------|----------------|--------------------------|
| <b>KEYS</b> | <b>DISPLAY</b> | <b>COMMENTS</b>          |
| 3           | 3              |                          |
| .           | 3.             |                          |
| 1           | 3.1            |                          |
| +           | 3.1            | 3.1 is entered           |
| +           | 6.2            | 3.1 + 3.1 computed       |
| +           | 9.3            | 3.1 + 3.1 + 3.1 computed |
| -           | 6.2            | 9.3 - 3.1 computed       |
| C           | 0.             |                          |

**3. Chain multiplication or division**

|                          |                |                       |
|--------------------------|----------------|-----------------------|
| <b>KEYS</b>              | <b>DISPLAY</b> | <b>COMMENTS</b>       |
| <b>a) Multiplication</b> |                |                       |
| 1                        | 1              |                       |
| x                        | 1.             |                       |
| 2                        | 2              |                       |
| x                        | 2.             | 1 x 2 is computed     |
| 3.1                      | 3.1            |                       |
| x                        | 6.2            | 2 x 3.1 is computed   |
| 4.2                      | 4.2            |                       |
| =                        | 26.0 4         | 6.2 x 4.2 is computed |

|                    |      |                     |
|--------------------|------|---------------------|
| <b>b) Division</b> |      |                     |
| 10                 | 10   |                     |
| ÷                  | 10.  |                     |
| 2                  | 2    |                     |
| ÷                  | 5.   | 10 ÷ 2 is computed  |
| 10                 | 10   |                     |
| ÷                  | .5   | 5 ÷ 10 is computed  |
| 2                  | 2    |                     |
| =                  | .2 5 | 0.5 ÷ 2 is computed |

**c) Mixed multiplication and division**

|    |                 |                              |
|----|-----------------|------------------------------|
| 20 | 20              |                              |
| x  | 20.             |                              |
| 4  | 4               |                              |
| ÷  | 80.             |                              |
| 8  | 8               |                              |
| ÷  | 10.             |                              |
| 7  | 7               |                              |
| x  | 1.4 2 8 5 7 1 4 |                              |
| 4  | 4               |                              |
| =  | 5.7 1           | Result rounded to two places |

**4. Constant multiplication or division**

|             |                |                                   |
|-------------|----------------|-----------------------------------|
| <b>KEYS</b> | <b>DISPLAY</b> | <b>COMMENTS</b>                   |
| <b>a)</b>   |                |                                   |
| 3           | 3              |                                   |
| x           | 3.             |                                   |
| 2           | 2              |                                   |
| =           | 6.             |                                   |
| 4           | 4              |                                   |
| =           | 12.            | First factor in constant multiply |
| 5           | 5              |                                   |
| .           | 5.             |                                   |
| 2           | 5.2            |                                   |
| =           | 1 5.6          |                                   |
| =           | 4 6.8          |                                   |
| <b>b)</b>   |                |                                   |
| 5           | 5              |                                   |
| ÷           | 5.             |                                   |
| 2           | 2              |                                   |
| =           | 2.5            |                                   |
| 4           | 4              |                                   |
| =           | 2.             | Second factor in constant divide  |
| 5           | 5              |                                   |
| .           | 5.             |                                   |
| 2           | 5.2            |                                   |
| =           | 2.6            |                                   |
| =           | 1.3            |                                   |

**5. To perform products of sums**

$(5 + 4) \times (3 + 2) / (6 + 7) =$

|             |                |  |
|-------------|----------------|--|
| <b>KEYS</b> | <b>DISPLAY</b> | <b>COMMENTS</b>                                    |
| 5           | 5              |  |
| +           | 5.             |  |
| 4           | 4              |  |
| +           | 9.             |  |
| x           | 9.             |  |
| 3           | 3              |  |
| +           | 3.             |  |
| 2           | 2              |  |
| +           | 5.             |  |
| ÷           | 45.            | (5 + 4) x (3 + 2) is executed                      |
| 6           | 6              |  |
| +           | 6.             |  |
| 7           | 7              |  |
| +           | 13.            |  |
| =           | 3.4 6          | 45 ÷ (6 + 7) is executed and rounded to two places |

**6. Calculate percentage**

|             |                |                                  |
|-------------|----------------|----------------------------------|
| <b>KEYS</b> | <b>DISPLAY</b> | <b>COMMENTS</b>                  |
| 3           | 3              |                                  |
| 0           | 30             |                                  |
| 0           | 300            |                                  |
| .           | 300.           |                                  |
| 2           | 300.2          |                                  |
| 5           | 300.25         |                                  |
| x           | 300.25         |                                  |
| 5           | 5              |                                  |
| %           | 1 5.0 1        | "Live %" key; rounded two places |

**7. Perform add-on and discount**

|                  |                |                        |
|------------------|----------------|------------------------|
| <b>KEYS</b>      | <b>DISPLAY</b> | <b>COMMENTS</b>        |
| <b>a) Add-On</b> |                |                        |
| 1                | 1              |                        |
| 2                | 1 2            |                        |
| 5                | 1 25.          |                        |
| x                | 1 25.          |                        |
| 5                | 5              |                        |
| %                | 6.2 5          | 5% of 125 is displayed |
| +                | 1 3 1 2.5      | 125 + 5% is displayed  |



EXAMPLES (Continued)

7. (Continued)

| KEYS        | DISPLAY | COMMENTS                 |
|-------------|---------|--------------------------|
| b) Discount |         |                          |
| 5           | 5       |                          |
| 3           | 53      |                          |
| 2           | 532     |                          |
| .           | 532.    |                          |
| 1           | 532.1   |                          |
| x           | 532.1   |                          |
| 6           | 6       |                          |
| %           | 319.3   | 6% of 532.1 is displayed |
| -           | 500.17  | 532.1 - 6% is displayed  |

8. Perform change sign

| KEYS | DISPLAY | COMMENTS                              |
|------|---------|---------------------------------------|
| 1    | 1       |                                       |
| .    | 12      |                                       |
| CS   | -12     | Change sign does not terminate entry. |
| 3    | -123    |                                       |
| .    | -123.   |                                       |
| CS   | 123.    |                                       |
| 5    | 123.5   |                                       |
| CS   | -123.5  |                                       |
| 6    | -123.56 |                                       |

9. Accumulate in memory, recall and clear memory

| KEYS | DISPLAY | COMMENTS                           |
|------|---------|------------------------------------|
| a)   |         |                                    |
| 3    | 3       |                                    |
| M+   | 3.      | Accumulate in memory               |
| 4    | 4       |                                    |
| M+   | 4.      | Accumulate in memory               |
| 5    | 5       |                                    |
| MR   | 7.      | Recall memory                      |
| MC   | 7.      | Clear memory                       |
| MR   | 0.      |                                    |
| b)   |         |                                    |
| 5    | 5       |                                    |
| +    | 5.      |                                    |
| 6    | 6       |                                    |
| +    | 11.     | Accumulate in memory               |
| M+   | 11.     |                                    |
| 7    | 7       |                                    |
| +    | 18.     | Accumulate 11 + 18 in memory       |
| M+   | 18.     |                                    |
| +    | 25.     | Repeat add                         |
| 3    | 3       |                                    |
| 2    | 32      |                                    |
| .    | 32.     |                                    |
| 2    | 32.2    |                                    |
| CS   | -32.2   |                                    |
| M+   | -32.2   | (11 + 18) - 32.2 is accumulated    |
| 9    | 9       | in memory                          |
| +    | 34.     |                                    |
| MR   | -3.2    | Accumulated value of M is recalled |
| +    | 30.8    |                                    |
| MR   | -3.2    | Accumulated value of M is recalled |
| MC   | -3.2    |                                    |

10. Accumulate in memory with the " = + " key

| KEYS | DISPLAY | COMMENTS                     |
|------|---------|------------------------------|
| MC   | 0.      |                              |
| C    | 0.      |                              |
| 5    | 5       |                              |
| x    | 5.      |                              |
| 3    | 3       |                              |
| = +  | 15.     | 5 x 3 = 15 is added to M     |
| 4    | 4       |                              |
| .    | 4.      |                              |
| 2    | 4.2     |                              |
| x    | 4.2     |                              |
| 3    | 3.      |                              |
| = +  | 12.6    | 4.2 x 3 = 12.6 is added to M |

10. (Continued)

| KEYS | DISPLAY | COMMENTS                                   |
|------|---------|--|
| 6    | 6       |  |
| ÷    | 6.      |  |
| 7    | 7       |  |
| = +  | .86     | Rounded to 2 decimal places                |
| 9    | 9       |  |
| CS   | -9      | Note method of multiplying negative number |
| x    | -9.     |  |
| 4    | 4       |  |
| = +  | -36.    | -9 x 4 = -36 is added to M                 |
| MR   | -7.54   |  |

11. Square root and reciprocal calculations.  
Find square root of 70064:

| KEYS             | DISPLAY   | COMMENTS   |
|------------------|-----------|--|
| 70064            | 70064     |  |
| →                | 70064.    | Either shift key could be used to set up $\sqrt{X}$ function |
| 2 ( $\sqrt{X}$ ) | 264.69605 |  |
| ←                |           | Square root is computed                                      |
| 1 (1/X)          | .00377791 | Either shift key could be used to set up 1/X function        |
|                  |           | Reciprocal is computed                                       |

12. Use of constant  $\pi$ :  $2\pi r = 2(\pi)$  (6.8)

| KEYS        | DISPLAY   | COMMENTS                                       |
|-------------|-----------|--|
| 2           | 2         |  |
| x           | 2.        |  |
| →           |           | Either shift key could be used to set up $\pi$ |
| · ( $\pi$ ) | 3.1415927 |  |
| x           | 6.2831854 | 2 $\pi$ is computed                            |
| 6.8         | 6.8       |  |
| =           | 42.73     |  |

13. Use of conversion keys:

| KEYS             | DISPLAY   | COMMENTS  |
|------------------|-----------|---|
| 2                | 2         |   |
| in → cm          | 5.08      | Two inches is converted to cm                               |
| in → cm          | 12.9032   | Two square inches is converted to square cm                 |
| in → cm          | 32.774128 | Two cubic inches is converted to cubic cm                   |
| ←                | 32.774128 | Reverse conversion mode is set                              |
| in → cm          | 12.9032   |   |
| C                | 0.        |   |
| 5                | 5         |   |
| →                | 5.        | Data entry is terminated and forward conversion mode is set |
| 7 (gal → liters) | 18.92666  | Five gal. is converted to liters                            |
| →                |           |   |
| ←                |           | Last shift key is valid direction                           |
| 8 (qts → liters) | 20.       | Liters → qts computed                                       |
| 12.5             | 12.5      |   |
| KS               | 12.5      | Entry is stored in K  |
| 2                | 2         |   |
| →                | 2.        | Forward shift sets up K conversion                          |
| KS               | 25.       | Multiply by K   |
| ←                |           |   |
| KS               | 2.        | Divide by K   |
| C                | 0.        |   |
| 77               | 77        | 77°F is entered   |
| →                | 77.       |   |
| 0 (°F → °C)      | 25.       | 77°F is converted to °C                                     |

# keyboard outline

MM5764

|                            |                 |                           |              |
|----------------------------|-----------------|---------------------------|--------------|
| /                          | in/mm           | in/cm                     | in/ft        |
| /                          | ft/m            | yd/m                      | mi/km        |
| CHS<br>psi/atm             | M+<br>mph/kts   | MC                        | sto K<br>fK  |
| =+<br>ft <sup>3</sup> /gal | MR<br>gal/l gal | %<br>ac / ft <sup>2</sup> | =<br>ac/hect |
| 7<br>gal/lit               | 8<br>qt/lit     | 9<br>fl.oz/cc             | ÷            |
| 4<br>lb/kg                 | 5<br>oz/gr      | 6<br>oz/lb                | x            |
| 1<br>1/x                   | 2<br>√          | 3<br>lb/stn               | -            |
| 0<br>F/C                   | .               | CE/C                      | +            |
|                            | π               |                           |              |

8



## MM5765 calculator programmer general description

The MM5765 provides a convenient and inexpensive means of adding "learn mode" programmability to many National Semiconductor calculator chips. It interfaces directly by simply adding a single static switch, four dynamic keys and a mean of displaying an alarm condition. The monolithic MOS integrated circuit combines P-channel enhancement and depletion mode technologies to obtain low voltage and low power characteristics necessary for economical battery-powered products.

The MM5765 is a dynamic key sequence programmer that memorizes any combination of key entries while in the Load Mode, then automatically plays back the programmed sequence as often as desired in the Run Mode. Up to 102 characters can be stored in multiprogram sequence blocks. Each block, or program, can be executed individually or the operator can make the decision to branch to specific programs, run each in series or perform intermediate calculations from the keyboard. When programming in the Load Mode, the Delete key provides a convenient editing feature and the Halt key programs variable data entry points where control is temporarily returned to the operator in the Run Mode. Start and Skip keys control operation in both modes.

Synchronization with the calculator chip is accomplished by monitoring its Digit Output and Ready signals. The digit signals give timing information while the Ready indicates status of the calculator and synchronizes the key entry interface between it and the MM5765.

Up to four switch inputs (K1, K2, K3 and K4) and up to twelve digit lines are connected in parallel with the calculator switch and digit terminals that scan the keyboard. Keys stored in the MM5765 that are entered by selecting K1 through K4 are encoded simply as matrix positions, i.e., a particular switch input at a specific digit time. Therefore it is the key matrix address that is stored and not the key function. (Con't on page 4)

## features

- Many NSC calculator chips can be provided with programming capability with the addition of only one static switch and four dynamic keys.
- Any key sequence, including constants and date entry points, may be stored automatically in the Load Mode and executed in the Run Mode.
- 102 step storage capacity of up to 47 different keys arranged in a 12 x 4 matrix.
- Multiprogram capability
- Provision for editing in Load Mode using the Delete key
- Convenient verification of programs using a Step Mode feature
- Alarm for full storage condition—or if a deletion of the first step in a program is attempted
- Power-on clear
- Direct 9V battery compatibility

## block and connection diagrams

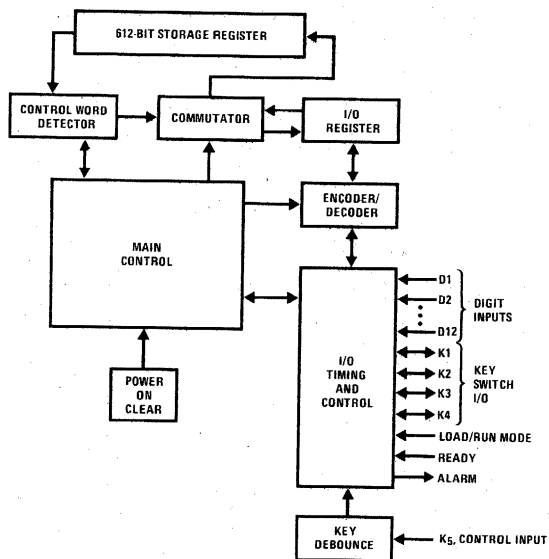
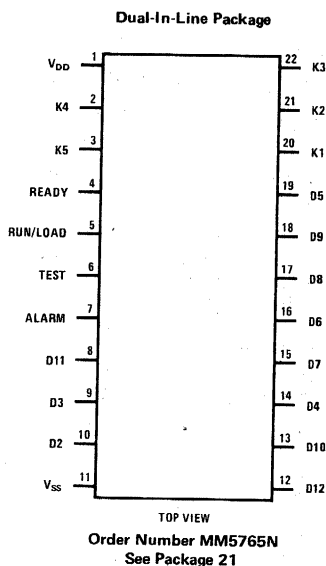


FIGURE 1



**absolute maximum ratings**

Voltage at Any Pin Relative to  $V_{SS}$   $V_{SS} + 0.3V$  to  $V_{SS} - 12V$   
 (All other pins connected to  $V_{SS}$ )  
 Ambient Operating Temperature  $0^{\circ}C$  to  $+70^{\circ}C$   
 Ambient Storage Temperature  $-55^{\circ}C$  to  $+150^{\circ}C$   
 Lead Temperature (Soldering, 10 seconds)  $300^{\circ}C$

**operating voltage range**
 $V_{SS} - 6.5V \leq V_{DD} \leq V_{SS} - 9.5V$ 

( $V_{SS}$  is always the most positive supply)

**dc electrical characteristics**

| PARAMETER  | CONDITIONS   | MIN            | TYP  | MAX                              | UNITS          |
|--|--|----------------|------|----------------------------------|----------------|
| Operating Supply Current ( $I_{DD}$ )              | $V_{DD} = V_{SS} - 9.5V$<br>$T_A = 25^{\circ}C$  |                | 8.0  |                                  | mA             |
| Keyboard Scan Input Levels<br>(K1, K2, K3, K4, K5) |  |                |      |                                  |                |
| Logical High Level ( $V_{IH}$ )                    | $V_{DD} = V_{SS} - 6.5V$   | $V_{SS} - 2.5$ |      | $V_{SS} - 5.0$                   | V              |
| Logical Low Level ( $V_{IL}$ )                     | $V_{DD} = V_{SS} - 9.5V$   |                |      | $V_{SS} - 6.0$                   | V              |
| Digit Input Levels (D2 through D12)                |  |                |      |                                  |                |
| Logical High Level ( $V_{IH}$ )                    | $V_{DD} = V_{SS} - 6.5V$   | $V_{SS} - 2.5$ |      | $V_{SS} - 5.0$                   | V              |
| Logical Low Level ( $V_{IL}$ )                     | $V_{DD} = V_{SS} - 9.5V$   |                |      | $V_{SS} - 6.0$                   | V              |
| Other Inputs (Ready, Run and Test)                 |  |                |      |                                  |                |
| Logical High Level ( $V_{IH}$ )                    | $V_{DD} = V_{SS} - 6.5V$   | $V_{SS} - 2.5$ |      | $V_{SS} - 5.0$                   | V              |
| Logical Low Level ( $V_{IL}$ )                     | $V_{DD} = V_{SS} - 9.5V$   |                |      | $V_{SS} - 6.0$                   | V              |
| Switch Buffer Output Levels<br>(K1, K2, K3, K4)    |  |                |      |                                  |                |
| Logical High Level ( $V_{OH}$ )                    | $V_{DD} = V_{SS} - 6.5V$   | $V_{SS} - 1.5$ |      | $V_{SS}$                         | V              |
| Logical Low Level ( $V_{OL}$ )                     | $V_{DD} = V_{SS} - 9.5V$   |                |      | $V_{SS} - 6.0$<br>$V_{SS} - 7.0$ | V              |
| Alarm Output Current<br>Source Current             | $V_{OUT} = V_{SS} - 4.5V, V_{DD} = V_{SS} - 6.5V$<br>$V_{OUT} = V_{SS} - 5.2V, V_{DD} = V_{SS} - 7.25V$<br>$V_{OUT} = V_{SS} - 7.8V, V_{DD} = V_{SS} - 9.5V$ | -5.0           | -8.0 | -20.0                            | mA<br>mA<br>mA |

**ac electrical characteristics**

| PARAMETER  | CONDITIONS          | MIN  | TYP | MAX  | UNITS   |
|--|---------------------|------|-----|------|---------|
| Digit Input Time (Figure 3)  |                     | 70   |     |      | $\mu s$ |
| Word Time (Figure 3)   |                     | 0.64 |     |      | ms      |
| Switch Input Time (Figure 3)   |                     | 0.70 |     |      | $\mu s$ |
| Switch Output Time (Figure 4)  |                     | 70   |     |      | $\mu s$ |
| Switch Propagation Delay Output<br>(Figure 4)  |                     |      | 15  | 26   | $\mu s$ |
| Switch Output Transition Time<br>(Figure 4)  | $C_{LOAD} = 100 pF$ |      | 2   |      | $\mu s$ |
| Switch Input K5 Key Bounce-out<br>Stability Time<br>(The time a keyboard input must be<br>continuously higher than the mini-<br>mum Logical High Level to be ac-<br>cepted as a key closure, or lower than<br>the maximum Logical Low Level to<br>be accepted as a key release, i.e., 6<br>or 7 cycles of D2.) |                     | 4.5  |     | 17.0 | ms      |
| Key Closure Rate<br>(Time between consecutive key<br>outputs in Run Mode.)   |                     |      | 40  |      | ms      |
| Key Acceptance Rate<br>(Time between consecutive key<br>inputs in Load Mode.)  |                     |      |     | 47   | ms      |

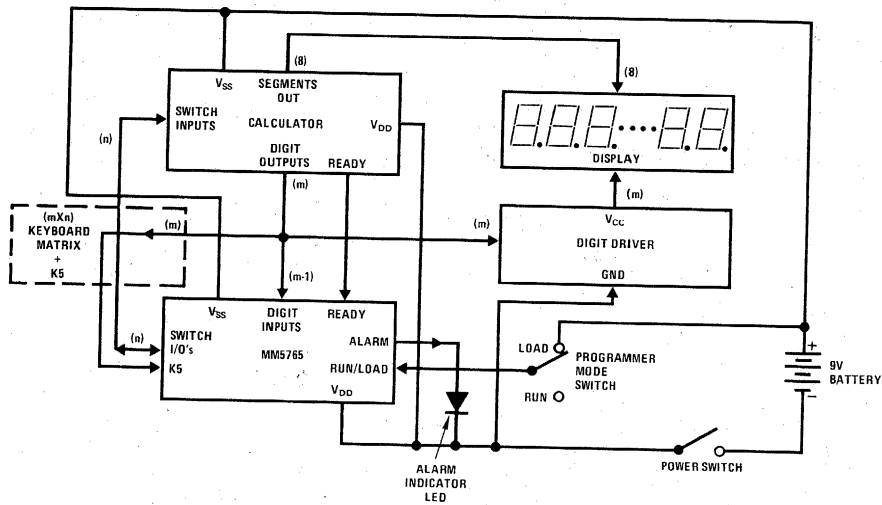


FIGURE 2. MM5765 Programmer Connected in Low-Cost Battery Operated Calculator System

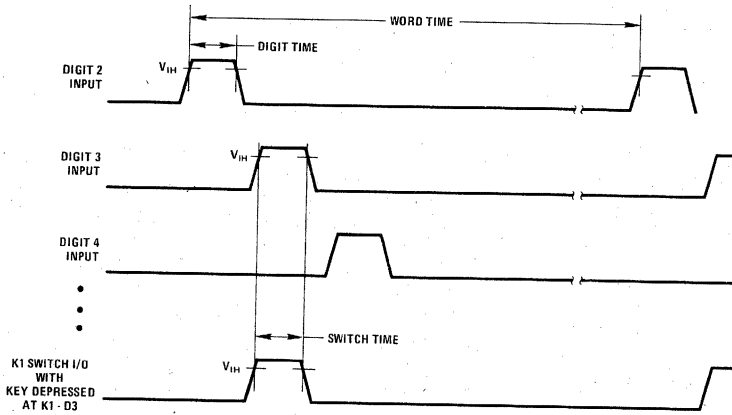


FIGURE 3. Input Timing

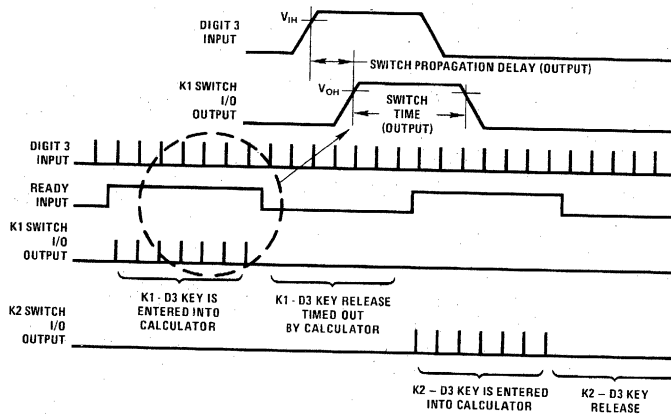


FIGURE 4. Programmer Output Timing

TABLE I. Action of Dynamic Control Keys as a Function of The LOAD/RUN Mode

| KEY    | LOAD  | RUN   |
|--------|---|---|
| START  | Clears and initializes program storage area.                | Starts program when stopped in HALT mode. Starts first program.     |
| SKIP   | Terminates current program and initializes a new one.       | Skip remainder of current program and begins execution of next one. |
| HALT   | Programs an operator data entry or check point in RUN MODE. |   |
| DELETE | Erases the last key entered. (Acts as a backspace key.)     |   |

## general description (con't)

Forty-seven different addresses can be stored using a 12x4 keyboard matrix. (The illegal address is Digit 1 and K4.) Switch Input K5 is used to enter programming control signals only and is not connected to the calculator in any way. The K5 input has key debounce protection identical to the calculator chip, which debounces K1 through K4. The MM5765 does not accept a K1, K2, K3 or K4 input until the Ready signal from the calculator goes from an idle, or high state, to a low state—indicating the key has been debounced by the calculator.

The program chip is dynamic, which means power must not be interrupted if a program is to remain stored. When power is applied an internal circuit automatically clears the MM5765, inhibiting false entries to the calculator and conditioning the system for entry of a new program.

Actual storage of the sequential key information is in a 612-bit shift register (see Figure 7). Each input character is encoded into a six-bit word and placed in the I/O register. If a Ready input confirms the character has been accepted by the calculator as a valid key entry, or the internal key debounce circuit in the case of Switch Input K5, the new key information is transferred by the commutator to the storage register. It is always placed in sequence at the end of the existing program, and an internal pointer is advanced six bits. The control word detector keeps track of the pointer and special codes required for control and alarm situations. In the Run Mode, characters are sequentially transferred into the I/O register, decoded on command of the Ready signal and entered into the calculator via the appropriate Switch Input Line.

When the MM5765 is used with calculators with long execution times, it may be useful to use a buffered Ready signal to drive a "Busy" indicator. This would give the user a visual feedback of status during Run operations.

## PROGRAMMER CONTROL FUNCTIONS

### "Load/Run" Mode Control

This control requires a single-pole, single throw static switch. It prepares the MM5765 for either accepting a key sequence or playing it back. Its position controls the function of the dynamic keys as shown in Table I.

Additional steps or programs can be appended to a stored key sequence even after execution simply by

switching back to the Load Mode and entering the new steps. The storage register pointer always returns to the end of the previously entered key sequence when the mode is changed from Run to Load, and to the beginning of the first program when changed from Load to Run.

"Start" Key (Refer to Table II for keyboard connections)

The function of this dynamic key depends upon the position of the Load/Run Mode Control Switch:

1. With the Mode Switch in the Load position, Start clears the entire program storage register of all programs and initializes the device for accepting a new set of programs by setting the pointer at the first storage location.
2. With the Mode Switch in the Run position, Start begins execution of the first program, or if pausing in the Halt Mode, continues the program. This key is not seen by the calculator and therefore has no affect on the calculations in progress.

The Start key is timed out by the key bounce-out stability timer of the MM5765 on both key entry and release.

TABLE II. Control Signal Input, K5, Keyboard Matrix

| CONTROL KEY FUNCTION | DIGIT TO K5 CONNECTION |
|----------------------|------------------------|
| START                | D5 to K5               |
| SKIP                 | D6 to K5               |
| DELETE               | D7 to K5               |
| HALT                 | D8 to K5               |

### "Skip" Key

This is the other dynamic key whose function depends on the position of the Load/Run Switch:

1. In the Load Mode, this key terminates the current program and marks the beginning of a new program. Repetitious depressions will be ignored. The Delete key will erase this key from the storage register, but the Alarm will be set indicating to the user that a

complete program has been deleted. A new Skip will reinitiate the deleted program; otherwise, subsequent deletions or additions will be to the previous program.

2. In the Run Mode, if the MM5765 is at a Halt, the Skip key will cause the remaining steps of the current program to be skipped. Execution automatically begins again at the start of the next program and continues to the first programmed Halt; in the absence of a Halt, execution will continue to the end of the program.

Depression of this key is not seen by the calculator and does not affect its status. The Skip key is timed out by the key bounce-out stability timer of the MM5765 on both key entry and key release.

#### "Halt" Key

The Halt key is a dynamic key that has a function only in the Load Mode. It is ignored in the Run Mode.

The Halt key is used to program a data entry pause in the playback of a key sequence. When a Halt occurs in the program sequence during operation in the Run Mode, the MM5765 ignores all key entries except Start or Skip. The calculator chip accepts all nonprogrammer keys in the normal manner so that constants or variables can be entered, or intermediate calculations can be performed. The operator may use the Halt as a decision making point where he has the option to continue the program in a number of ways based on an intermediate result; e.g., skip to another program, restart the present program, or even go to a co-routine in a second MM5765 program chip.

If the user switches to the Load Mode during a Halt, execution of the current program will be terminated and the MM5765 will be ready to store additional keys at the end of the last program. If the mode is then returned to Run, Start will begin execution at the beginning of the first program.

The Halt key is debounced by the MM5765.

#### "Delete" Key

The Delete is another dynamic control key that functions only in the Load Mode and is ignored in the Run Mode.

It provides a method of editing by erasing the end step of the program. It is essentially a "backspace" key. Multiple Deletes can be used to remove several steps or even complete programs, but the Alarm will be set

if a Skip code is deleted or an attempt is made to delete the Start code (beginning of first program).

The Delete key is debounced by the MM5765.

#### Switch Input K5 Keyboard Bounce Protection

The MM5765 programmer chip is designed to interface with most low-cost keyboards and has characteristics identical to the standard NSC calculator keyboard bounce protection circuits.

A control key closure is sensed when Switch Input K5 is forced more positive than the Logical High Level specified in the Electrical Specifications. At the instant of closure, an internal "Key Bounce-out and Stability Time" counter is started. Any significant voltage perturbation occurring on the K5 input during timeout will reset the timer. Hence, a key is not accepted as valid until noise or ringing has died out and the stability time counter has timed-out. Noise that persists will inhibit key entry indefinitely. Release is timed in the same manner. The actual control operation is performed by the MM5765 after the release is validated, to differentiate the action from a calculator key.

#### ALARM CONDITIONS

An alarm condition will be indicated by the MM5765 program chip as a Logical High Level output on pin 7. An alarm condition can exist due to three circumstances:

1. All 102 storage locations in the storage register are full. The Alarm is reset by entering a Delete key or if the mode is changed to Run and any key is pressed. When the storage register is full, subsequent data keys are ignored; the existing program is not disturbed.
2. An attempt is made to delete a Start key code in the storage register during editing of a program. The alarm is set and the Delete key is ignored. Any of the calculator keys, the Skip or Halt keys or moving the Mode Switch to Run and pressing any key will reset the Alarm.
3. A Skip key code is deleted from the storage register while editing. The alarm is set and the Skip is deleted. Any calculator or programmer key, or switching to the Run Mode and pressing a key will reset the alarm condition. If a Skip key is not re-entered, new key entries will be appended to the previous program, and the original program being edited will no longer exist.

TABLE III. Ready Signal Description

| CALCULATOR FUNCTION                | READY SIGNAL  |
|------------------------------------|---|
| Idle                               | Ready is quiescently at a Logical High Level ( $\sim V_{SS}$ ).   |
| Key entry and functional operation | When a key is depressed, the calculator bounce-out stability timer is initiated. Ready remains high until the bounce-out time is completed and the key is entered, at which time it changes to a Logical Low Level ( $\sim V_{DD}$ ). |
| Key release and return to idle     | Ready remains low until key release is debounced and the calculator returns to the idle state. The low to high transition signals the return to idle.   |

TABLE IV. Mode and Alarm Truth Table

| PIN            | MODE     | LEVEL |
|----------------|----------|-------|
| Load/Run Input | RUN      | LOW   |
|                | LOAD     | HIGH  |
| Alarm Output   | ACTIVE   | HIGH  |
|                | INACTIVE | LOW   |

## TYPICAL OPERATION

### Loading a New Program

At power-on, the MM5765 automatically clears and initializes the storage register. All that is necessary to start programming is to switch to the Load Mode. If unwanted programs already exist in the storage register from previous operations, switching to the Load Mode and depressing Start will clear the memory and initialize a new program.

Programming is accomplished by simply keying the calculator in the normal manner. The MM5765 memorizes each key in the sequence entered. It is usually convenient to have the calculator displaying as the program is entered to catch entry errors and keep track of progress. However, it is necessary to consciously consider the anticipated results when programming to ensure a meaningful display at each step. For example, wherever variables are to be entered in the program, the Halt key is used rather than any numeric value. Because the calculator chip does not see a Halt, the display will no longer be correct as the remainder of the sequence is loaded. One convenient way around the problem is to depress and hold the Halt key down while a dummy variable is entered into the calculator. The depressed Halt key will lock-out the MM5765 without affecting the calculator. An alternate approach would be to enter the Halt and the dummy variable, followed by the proper number of Delete keys required to erase the dummy variable from the storage register. Either approach results in a valid calculator display and stored program during programming.

Because the primary reason for using a key sequence programmer is to allow convenient recall of often used routines or in optimizing a particular solution by iterating a function many times with a variety of input variables—in other words, many iterations of a common sequence—it is always worth the time to spend a few minutes planning the best way of entering the program. Learning what the calculator should be displaying at each step of the programming can be done conveniently by keying the program while in the Run Mode, using the proper dummy variables, and jotting down intermediate results. In this manner potential calculator overflow conditions are caught, and subsequent Load Mode entry errors can be easily detected. When an entry error is made while programming in the Load Mode, use the Delete key to erase as many steps as necessary, switch back to the Run Mode and depress Start to correct the calculator display and return to the Load

Mode to finish. If the program does not approach the 102 key capacity of the MM5765, you may wish to simply use the calculator functions (such as Clear Entry) to correct the error situation even though they will be included in the stored program.

When the program is correctly loaded move the Mode Switch to Run. The program is now ready to be executed. Additions can be made to the program (even after execution in the Run Mode) by returning to Load. New key entries will be automatically appended to the end of the existing stored sequence. By executing the program before returning to Load, the calculator display will have a valid display and be in the correct state for properly displaying the new key additions. In this manner long programs may be constructed by connecting together a series of short sequences which are debugged as you go (reducing the possibility of error and minimizing confusion).

### Running a Program

Use of a stored program requires only that the calculator be preconditioned, if necessary, and the Start key depressed while in the Run Mode. The program will continue to the end, or until a Halt is encountered in the key sequence.

Halts act as a pause during execution to permit entry of variable data, manual calculation of data, or checking of intermediate values. They are also available as user decision points for jumping to subsequent programs and can provide the capability for multiprogram labeling. When a Halt is encountered during execution, the MM5765 stops making key closures and returns control to the keyboard.

Upon reaching the end of a program, the internal pointer will return to the beginning and wait for another Start key.

As discussed above, programming certain sequences can result in errors in the calculator chip either during loading or during execution. If an error occurs as the program is loaded, the MM5765 will continue to store key depressions as they are made—independent of the calculator. Such a situation exists if a calculation results in overflow during execution of a stored program. The MM5765 continues to step through the sequence completely independent of calculator status as long as the Ready signal responds properly.

### Multiple Programs

Use of the Skip key in the Load Mode codes that location as the beginning of a new program, just as the Start key is used to initialize the first program. All other aspects of loading the program are the same.

When a program stops at a Halt during execution, the user has the option of pressing the Skip key to jump to the next program or the Start key if he wishes to continue the original sequence. When control passes to the next program, execution begins and proceeds to the end of that program or until a Halt is encountered.



This property of automatically executing a program down to the first Halt provides a convenient method of labeling multiprograms. For example, entering a program with the sequence:

|       |  |
|-------|--|
| Start | (Load/Run = Load Mode)                 |
| 1     |  |
| Halt  |  |
| C     | (Calculator Clear Entry)               |
| ⋮     |  |
| ⋮     | Desired key sequence for Program No. 1 |
| Halt  |  |
| Skip  |  |
| 2     |  |
| Halt  |  |
| C     |  |
| ⋮     |  |
| ⋮     | Desired key sequence for Program No. 2 |
| Halt  |  |

has stored two program sequences. In the Run Mode, pressing Start will display a "1", a second Start will execute Program 1 (or to the first internal Halt) eventually stopping at the last Halt and displaying a program result. The operator now has the opportunity to make a decision. He may rerun Program 1 by using the Start key, or continue to Program 2 by depressing the Skip key.

If he chooses Skip, a "2" will be displayed indicating that Program 2 has been addressed (as programmed by the Skip-2-Halt sequence at the beginning of Program 2 in the Load Mode). Start will then execute Program 2 down to its first Halt. The Program 2 result can be displayed by inserting another Halt at the end of that sequence. If a third program has been stored in the MM5765, depressing Skip will move the internal pointer to the beginning of that program and execute it to the first Halt. Assuming a Skip-3-Halt sequence was used at the front of the program, a "3" would be displayed by the calculator. If the operator had wished to rerun Program 1, instead of advancing to Program 3, he would have used Start (internal pointer is initialized), Start (displays shows "1") and Start (program is executed). For a rerun of Program 2 from the last Halt of Program 2, he would push Start (internal pointer is initialized) and Skip (pointer locates the top of Program 2, executes to first Halt and calculator displays "2").

#### Adding a Step Mode Feature

By returning the Ready input of the MM5765 to  $V_{SS}$  when the Mode Switch is in the Run Mode position, and depressing any of the control keys (Start, Skip, Halt or Delete) the program stored in the MM5765 may be executed and advanced one step at a time. This provides a convenient method of debugging programs.

Figure 5 shows the wiring of a 2-pole, 3-position switch used as the Mode Switch of a Programmer/Calculator system with the Step Mode as an added feature. Switching from the Load Mode to the Step Mode conditions

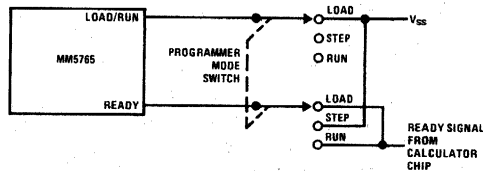


FIGURE 5. Switch Wiring for Adding Step Mode

the programmer to step through the stored program starting from the first entry of the first program. Start must be used to initiate the sequence, then any of the control keys can be used. Each depression of Start, Skip, Halt or Delete will advance the program being executed by the calculator one step. When a Halt is encountered in the program while in the Step Mode, the MM5765 ignores all key entries except Start or Skip just as described in Table 1. If the Mode Switch is moved to Step from a Halt point in the Run Mode, the program may be stepped from that point on by using Start or Skip followed by depressions of any of the control keys. Switching to Run from any intermediate point of a Run operation from that point. From a Halt, a Start or Skip Key must be pressed after switching to the Run Mode.

#### PROGRAMMING EXAMPLES

These examples assume use of the MM5738 calculator, which is an 8-digit, floating point, algebraic notation, single memory chip with constant operation. Please review the MM5738 data sheet for explanation of keyboard notation and function capability.

##### Example 1

A problem often encountered in communications design is the solution of

$$X = Y \left[ \frac{\sin \theta}{\theta} \right]$$

With a programmer and even a simple calculator like the MM5738, this problem can be repetitively solved easily without tables. First, program the sequence for approximating  $\sin \theta$  using

$$\sin \theta \cong \theta - \frac{\theta^3}{3!} + \frac{\theta^5}{5!}, \text{ where } \theta \text{ is expressed in radians.}$$

$$= \frac{120\theta - 20\theta^3 + \theta^5}{120}, \text{ where } 5! = 120$$

$$= \frac{[(\theta^2 - 20)\theta^2 + 120]\theta}{120}$$

## Example 1 (Con't)

| KEY    | DISPLAY   | RUN/LOAD | COMMENTS   |
|--------|-----------|----------|--|
| C      |           | Load     |  |
| C      | 0         | Load     | Clear calculator                                   |
| 2      | 2         | Load     | Dummy variable "2" for $\theta$ is entered.        |
| Start  | 2         | Load     | MM5765 is initialized.                             |
| MS     | 2         | Load     |  |
| X      | 2         | Load     |  |
| =      | 4         | Load     | $\theta^2$ is formed                               |
| -      | 4         | Load     |  |
| 20     | 20        | Load     |  |
| X      | -16       | Load     |  |
| MR     | 2         | Load     |  |
| X      | -32       | Load     |  |
| MR     | 2         | Load     |  |
| +      | -64       | Load     | $(\theta^2 - 20)\theta^2$ is formed.               |
| 122    | 122       | Load     | 122 is an entry error                              |
| C      | -64       | Load     | After entering "C", operator can simply            |
| Delete | -64       | Load     | continue by entering 120, or can correct           |
| Delete | -64       | Load     | program sequence by deleting last four             |
| Delete | -64       | Load     | keys. Result is the same, except the second        |
| Delete | -64       | Load     | alternative would use less program storage.        |
| 120    | 120       | Load     |  |
| X      | 56        | Load     |  |
| MR     | 2         | Load     |  |
| $\div$ | 112       | Load     |  |
| 120    | 120       | Load     |  |
| =      | 0.9333333 | Load     | Sin $\theta$ for $\theta = 2$ radians is displayed |

Check program by executing with  $\theta = \frac{\pi}{4}, \frac{\pi}{3}$

|        |           |     |   |
|--------|-----------|-----|---|
| 3.14   | 3.14      | Run | Enter approximation of $\pi$              |
| $\div$ | 3.14      | Run |   |
| 4      | 4         | Run |   |
| =      | 0.785     | Run | $\theta = \frac{\pi}{4}$ , in radians     |
| Start  | 0.7068613 | Run | $\sim \text{Sin} \frac{\pi}{4}$ displayed |
| 3.14   | 3.14      | Run |   |
| $\div$ | 3.14      | Run |   |
| 3      | 3         | Run |   |
| =      | 1.0466666 | Run | $\theta = \frac{\pi}{3}$ , in radians     |
| Start  | 0.8660287 | Run | $\sim \text{Sin} \frac{\pi}{3}$ displayed |

Now we would like to add to the same program the rest of the expression:

$$Y \frac{\sin \theta}{\theta}$$

| KEY    | DISPLAY   | RUN/LOAD | COMMENTS   |
|--------|-----------|----------|--|
| 1      | 1         | Run      | "1" is dummy variable for sin $\theta$   |
| Halt   | 1         | Load     | "Halt" is tagged onto end of existing program to allow readout of sin $\theta$ during execution              |
| $\div$ | 1         | Load     |  |
| MR     | 1.0466666 | Load     |  |
| X      | 0.955414  | Load     |  |
| Halt   | 0.955414  | Load     | Allows for Y entry   |
| 1      | 1         | Load     | Dummy variable for Y   |
| Delete | 1         | Load     | Dummy variable is removed from program   |
| =      | 0.955414  | Load     | by Delete, or Halt could have been held down while 1 is entered, in which case Delete would not be required. |

**Example 1 (Con't)**

Problems can now be solved using the program.

$$\text{Evaluate: } 0.54 \frac{\sin(0.72)}{0.72}$$

| KEY   | DISPLAY   | RUN/LOAD | COMMENTS                                 |
|-------|-----------|----------|--|
| 0.72  | 0.72      | Run      | Enter $\theta = 0.72$ radians            |
| Start | 0.6594044 | Run      | Sin (0.72) displayed                     |
| Start | 0.9158394 | Run      |  |
| .54   | 0.54      | Run      | Enter variable Y                         |
|       |           | Run      |  |
| Start | 0.4945532 | Run      | $0.54 \frac{\sin(0.72)}{0.72}$ displayed |

A sequence could easily have been included to convert degrees to radians.

**PROGRAMMING**

As an example of a multiprogram application, consider an automobile salesman who needs to calculate price plus sales tax, down payment and monthly payment on new cars many times a day. Again assume use of the MM5738 (although more powerful NSC calculators could obviously make the problem even easier). To simplify the example, assume the finance time is fixed at 36 months and the interest rate at 12% of the unpaid balance.

| KEY   | DISPLAY | RUN/LOAD | COMMENTS   |
|-------|---------|----------|--|
| C     |         | Load     |  |
| Start |         | Load     |  |
| 1     | 1       | Load     | Clear calculator and programmer. Label Program No. 1   |
| Halt  | 1       | Load     |  |
| C     | 0       | Load     | Clear program label.   |
| 5     | 5       | Load     | Sales tax = 5%.  |
| %     | 0.05    | Load     |  |
| X     | 0.05    | Load     |  |
| Halt  | 0.05    | Load     |  |
| 100   | 100     | Run      | Load dummy variable for car price. Switching to Run is another method of entering a dummy variable without having to Delete. |
| MS    | 100     | Load     |  |
| +     | 5.      | Load     |  |
| K=    | 105.    | Load     |  |
| Halt  | 105     | Load     | Program No. 1 displays price + tax amount.   |
| Skip  | 105     | Load     | Initialize Program No. 1   |
| 2     | 2       | Load     |  |
| Halt  | 2       | Load     | Label Program No. 2  |
| C     | 105     | Load     | Clear program label.   |
| Halt  | 105     | Load     | "Halt" for down payment %.   |
| 20    | 20      | Run      | Dummy down payment %.  |
| %     | 0.20    | Load     |  |
| X     | 0.20    | Load     |  |
| MR    | 100     | Load     |  |
| =     | 20      | Load     |  |
| Halt  | 20      | Load     | Program No. 2 displays required down payment.  |
| Skip  | 20      | Load     | Initialize Program No. 3.  |
| 3     | 3       | Load     |  |
| Halt  | 3       | Load     | Label Program No. 3.   |
| C     | 20      | Load     | Clear program label.   |
| -     | 20      | Load     |  |
| MR    | 100     | Load     |  |
| =     | -80     | Load     | Program No. 3 computes monthly payment from equation   |
| MS    | -80     | Load     |  |
| 1.01  | 1.01    | Load     |  |
| X     | 1.01    | Load     | Monthly payment = $[\text{Total loan } (1 + i/q)^{nq} / nq]$   |
| 1.01  | 1.01    | Load     | $i = \text{interest per year, } 12\% \text{ is assumed.}$  |
| =     | 1.0201  | Load     | $nq = \text{total number of months} = 36$  |
|       |         |          | $q = 12 \text{ months per year}$   |
|       |         |          | $(1 + i/q) = 1.01$   |

**PROGRAMMING (CON'T)**

| KEY  | DISPLAY   | RUN/LOAD | COMMENTS   |
|------|-----------|----------|--|
| =    | 1.040604  | Load     | (1.01) <sup>4</sup>                              |
| =    | 1.0828566 | Load     | (1.01) <sup>8</sup>                              |
| =    | 1.1725784 | Load     | (1.01) <sup>16</sup>                             |
| X    | 1.1725784 | Load     |  |
| 1.01 | 1.01      | Load     |  |
| =    | 1.1843041 | Load     | (1.01) <sup>17</sup>                             |
| K=   | 1.1961471 | Load     | (1.01) <sup>18</sup>                             |
| =    | 1.4307678 | Load     | (1.01) <sup>36</sup>                             |
| X    | 1.4307678 | Load     |  |
| MR   | 80        | Load     |  |
| ÷    | 114.46142 | Load     |  |
| 36   | 36        | Load     |  |
| =    | 3.179483  | Load     |  |
| Halt | 3.179483  | Load     | Program No. 3 displays required monthly payment. |

**EXECUTION OF PROGRAM**

Salesman has potential customer for \$4995.95 automobile. Bank requires 20% down. The customer wants to know amount of down payment and monthly payments over 3 years at 12%.

| KEY     | DISPLAY   | RUN/LOAD | COMMENTS                   |
|---------|-----------|----------|----------------------------|
| Start   | 1         | Run      | Program No. 1 label.       |
| Start   | 0.05      | Run      | Sales tax displayed.       |
| 4995.95 | 4995.95   | Run      | Price entered.             |
| Start   | 5245.7475 | Run      | Price + tax displayed.     |
| Skip    | 2         | Run      | Program No. 2 label.       |
| Start   | 5245.7475 | Run      |                            |
| 20      | 20        | Run      | Enter % down.              |
| Start   | 999.19    | Run      | Down payment displayed.    |
| Skip    | 3         | Run      | Program No. 3 label.       |
| Start   | 1588.4543 | Run      | Monthly payment displayed. |



## MM5766 calculator programmer

### general description

The MM5766 provides a convenient and inexpensive means of adding "learn mode" programmability to the National Semiconductor MM5758 scientific calculator chip. The monolithic MOS integrated circuit combines P-channel enhancement and depletion mode technologies to obtain low voltage and low power characteristics necessary for economical battery-powered products.

The MM5766 is a dynamic key sequence programmer that memorizes any combination of key entries while in the Load Mode, then automatically plays back the programmed sequence as often as desired in the Run Mode. Up to 102 characters can be stored in multiprogram sequence blocks. Each block, or program, can be executed individually or the operator can make the decision to branch to specific programs, run each in series or perform intermediate calculations from the keyboard. When programming in the Load Mode, the Delete key provides a convenient editing feature and the Halt key programs variable data entry points where control is temporarily returned to the operator in the Run Mode. Start and Skip keys control operation in both modes.

Synchronization with the calculator chip is accomplished by monitoring its Digit Output and Ready signals. The digit signals give timing information while the Ready indicates status of the calculator and synchronizes the key entry interface between it and the MM5766.

Up to four switch inputs (K1, K2, K3 and K4) and up to twelve digit lines are connected in parallel with the calculator switch and digit terminals that scan the keyboard. Keys stored in the MM5766 that are entered by selecting K1 through K4 are encoded simply as matrix positions, i.e., a particular switch input at a specific digit time. Therefore it is the key matrix address that is stored and not the key function. Please refer to the MM5765 data sheet for a detailed functional description.

### features

- Any key sequence, including constants and data entry points, may be stored automatically in the Load Mode and executed in the Run Mode.
- 102 step storage capacity of up to 47 different keys arranged in a 12 x 4 matrix.
- Multiprogram capability
- Provision for editing in Load Mode using the Delete key
- Convenient verification of programs using a Step Mode feature
- Alarm for full storage condition—or if a deletion of the first step in a program is attempted
- Power-on clear

### block and connection diagrams

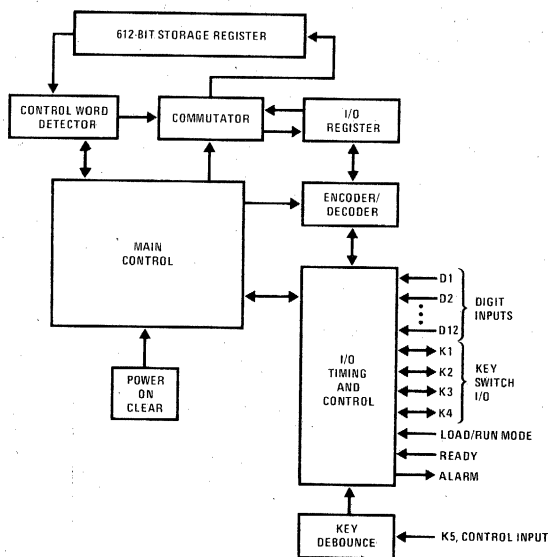
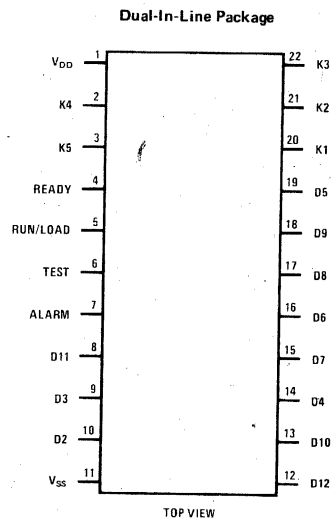


FIGURE 1



Order Number MM5766N  
See Package 21

**absolute maximum ratings**Voltage at Any Pin Relative to  $V_{SS}$   $V_{SS} + 0.3V$  to  $V_{SS} - 12V$ (All other pins connected to  $V_{SS}$ )Ambient Operating Temperature  $0^{\circ}C$  to  $+70^{\circ}C$ Ambient Storage Temperature  $-55^{\circ}C$  to  $+150^{\circ}C$ Lead Temperature (Soldering, 10 seconds)  $300^{\circ}C$ **operating voltage range** $V_{SS} - 6.5V \leq V_{DD} \leq V_{SS} - 9.5V$ ( $V_{SS}$  is always the most positive supply)**dc electrical characteristics**

| PARAMETER                                       | CONDITIONS  | MIN            | TYP  | MAX            | UNITS |
|---|---|----------------|------|----------------|-------|
| $I_{DD}$ Operating Supply Current               | $V_{DD} = V_{SS} - 9.5V$ , $T_A = 25^{\circ}C$        |                | 8.0  | 18.0           | mA    |
| Keyboard Scan Input Levels<br>(K1, K2, K3, K4)  |   |                |      |                |       |
| $V_{IH}$ Logical High Level                     | $V_{DD} = V_{SS} - 7.2V$                              | $V_{SS} - 2.5$ |      |                | V     |
|   | $V_{DD} = V_{SS} - 8.8V$                              | $V_{SS} - 4.0$ |      |                | V     |
| $V_{IL}$ Logical Low Level                      | $V_{DD} = V_{SS} - 6.5V$                              |                |      | $V_{DD} + 1.0$ | V     |
|   | $V_{DD} = V_{SS} - 9.5V$                              |                |      | $V_{DD} + 1.5$ | V     |
| K5 and Digit Input Levels<br>(D2 through D12)   |   |                |      |                |       |
| $V_{IH}$ Logical High Level                     | $V_{DD} = V_{SS} - 7.2V$ ; $I_{IH} \geq -200\mu A$    | $V_{SS} - 2.5$ |      |                | V     |
|   | $V_{DD} = V_{SS} - 8.8V$ ; $I_{IH} \geq -200\mu A$    | $V_{SS} - 4.0$ |      |                | V     |
| $V_{IL}$ Logical Low Level                      | $V_{DD} = V_{SS} - 6.5V$                              |                |      | $V_{DD} + 1.0$ | V     |
|   | $V_{DD} = V_{SS} - 9.5V$                              |                |      | $V_{DD} + 1.5$ | V     |
| Other Inputs (Ready, Run and Test)              |   |                |      |                |       |
| $V_{IH}$ Logical High Level                     |   | $V_{SS} - 2.5$ |      |                | V     |
| $V_{IL}$ Logical Low Level                      | $V_{DD} = V_{SS} - 6.5V$                              |                |      | $V_{SS} - 5.0$ | V     |
|   | $V_{DD} = V_{SS} - 9.5V$                              |                |      | $V_{SS} - 6.0$ | V     |
| Switch Buffer Output Levels<br>(K1, K2, K3, K4) |   |                |      |                |       |
| $V_{OH}$ Logical High Level                     | $V_{DD} = V_{SS} - 7.2V$                              | $V_{SS} - 1.5$ |      | $V_{SS}$       | V     |
|   | $V_{DD} = V_{SS} - 8.8V$                              | $V_{SS} - 3.0$ |      | $V_{SS}$       | V     |
| $V_{OL}$ Logical Low Level                      | $V_{DD} = V_{SS} - 6.5V$                              |                |      | $V_{SS} - 6.0$ | V     |
|   | $V_{DD} = V_{SS} - 9.5V$ , $I_{OL} \leq -1.5 mA$      |                |      | $V_{SS} - 7.0$ | V     |
| Alarm Output Current<br>Source Current          | $V_{OUT} = V_{SS} - 4.5V$ , $V_{DD} = V_{SS} - 6.5V$  | -5.0           |      |                | mA    |
|   | $V_{OUT} = V_{SS} - 5.2V$ , $V_{DD} = V_{SS} - 7.25V$ |                | -8.0 |                | mA    |
|   | $V_{OUT} = V_{SS} - 7.8V$ , $V_{DD} = V_{SS} - 9.5V$  |                |      | -20.0          | mA    |

**ac electrical characteristics**

| PARAMETER   | CONDITIONS                       | MIN  | TYP | MAX  | UNITS   |
|---|----------------------------------|------|-----|------|---------|
| Digit Input Time  | (Figure 3)                       | 70   |     |      | $\mu s$ |
| Word Time   | (Figure 3)                       | 0.64 |     |      | ms      |
| Switch Input Time   | (Figure 3)                       | 70   |     |      | $\mu s$ |
| Switch Output Time  | (Figure 4)                       | 70   |     |      | $\mu s$ |
| Switch Propagation Delay Output   | (Figure 4)                       |      | 15  | 26   | $\mu s$ |
| $t_R$ and $t_F$ Switch Output Transition Time   | $C_{LOAD} = 100 pF$ , (Figure 4) |      | 2   |      | $\mu s$ |
| Switch Input K5 Key Bounce-out<br>Stability Time  |                                  | 4.5  |     | 17.0 | ms      |
| (The time a keyboard input must be<br>continuously higher than the minimum<br>Logical High Level to be accepted as a<br>key closure, or lower than the maximum<br>Logical Low Level to be accepted as a<br>key release, i.e., 6 or 7 cycles of D2.) |                                  |      |     |      |         |
| Ready Timing  | (Figure 3)                       |      |     |      |         |
| $t_R = t_F$   |                                  |      | 3   | 5    | $\mu s$ |
| $t_D$   |                                  | 0.1  |     |      | $\mu s$ |
| $t_{SETUP}$   |                                  | 20   |     |      | $\mu s$ |
| $t_{PW}$  |                                  | 400  |     |      | $\mu s$ |
| Key Closure Rate  |                                  |      | 40  |      | ms      |
| (Time between consecutive key outputs<br>in Run Mode.)  |                                  |      |     |      |         |
| Key Acceptance Rate   |                                  |      |     | 47   | ms      |
| (Time between consecutive key inputs<br>in Load Mode.)  |                                  |      |     |      |         |

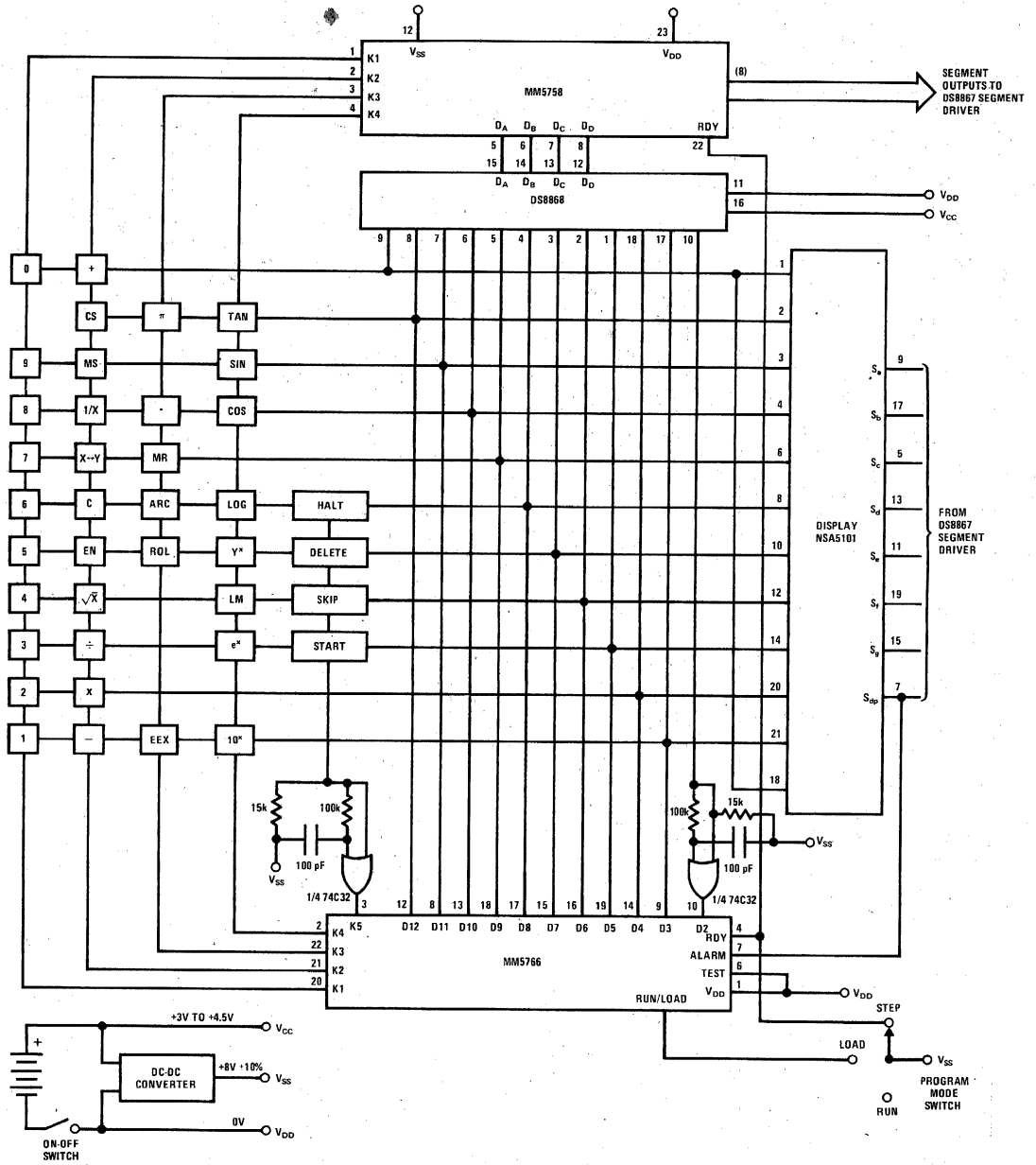


FIGURE 2. Interface of MM5766 Programmer with MM5758 Scientific Calculator

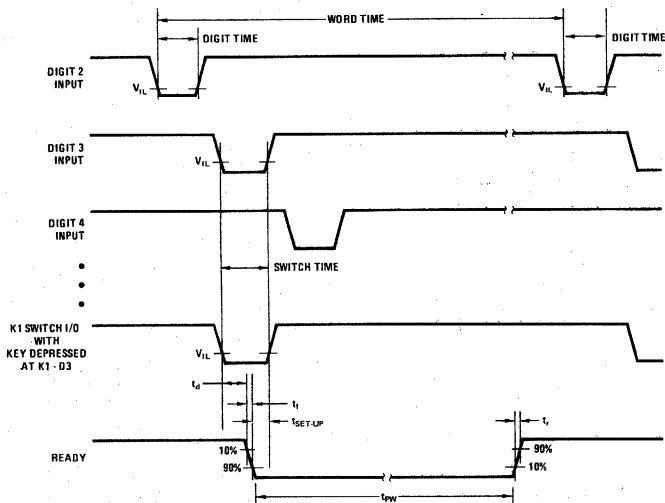


FIGURE 3. Input Timing

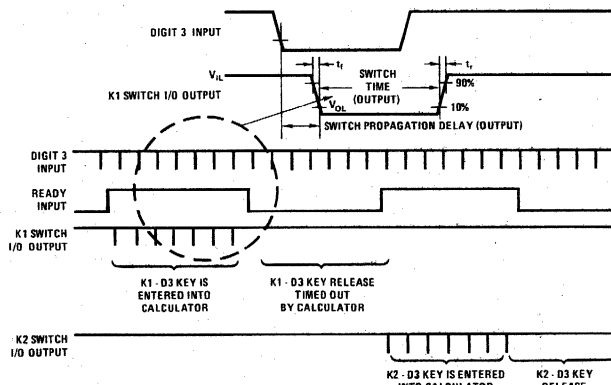


FIGURE 4. Programmer Output Timing





## MM5767 slide rule calculator\*

### general description

The single-chip MM5767 Slide Rule Calculator was developed with the primary objective of low end-product cost. A complete calculator as shown in *Figure 1* requires only the MM5767, a 20 or 22 key keyboard, DM8864 digit driver, NSA298 LED display and a 9V battery with appropriate hardware.

Keyboard decoding and key debounce circuitry, all clock and timing generation and 7-segment output display encoding are included on-chip and require no external components. Segments can usually be driven directly from the MM5767, as it typically sources about 8.5 mA of peak current. (Note: the typical duty cycle of each digit is 0.104; average LED segment current is therefore approximately 0.89 mA.) The left-most digit is used for the negative sign or the decimal point of a number less than unity.

An internal power-on clear circuit clears all registers, including the memory, when  $V_{DD}$  and  $V_{SS}$  are initially applied to the chip.

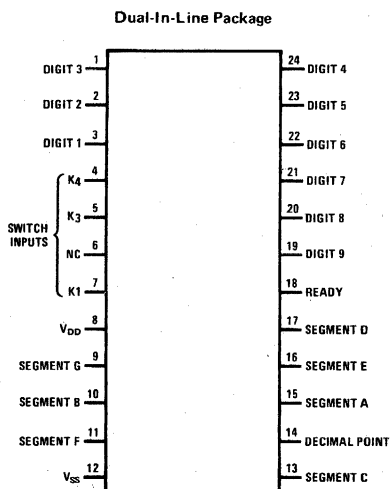
Trailing zero suppression allows convenient reading of the left justified display, and conserves power. The DM8864 digit driver is capable of sensing a low battery voltage and providing a signal during Digit 9 time that can be used to turn on one of the segments as an indicator.

\*Note: For detailed information on electrical specifications and key operations please refer to the MM5760 data sheet.

### features

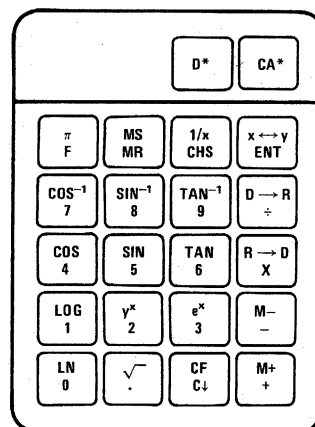
- 20 or 22 key keyboard
- Full 8-digit entry and display capacity
- Complete electronic slide rule capability
  - Arithmetic functions: +, -, x, ÷,  $\sqrt{x}$ ,  $1/x$
  - Logarithmic functions:  $\ln x$ ,  $\log x$ ,  $e^x$
  - Trigonometric functions:  $\sin x$ ,  $\cos x$ ,  $\tan x$ ,  $\arcsin x$ ,  $\arccos x$ ,  $\arctan x$
  - Other functions:  $Y^X$ ,  $\pi$ , change sign, exchange, radians to degrees, degrees to radians
- Three-register operational stack
- Independent accumulating storage register with store, recall, memory plus and memory minus functions
- Floating point input and output
- Direct 9V battery compatibility; low power dissipation
- Power-on clear
- No external components required other than display digit driver, keyboard and LED display for complete calculator
- Error indication for over range, overflow and invalid operations
- Left justified entry and results with trailing zero suppression
- Automatic display cutoff
- Reverse polish notation

### connection diagram



Order Number MM5767N  
See Package 22

### keyboard outline

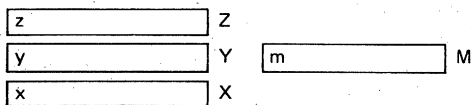


\*Optional

Typical current drain of a complete calculator displaying five "5's" is 30 mA. Automatic display cutoff is included. If no key closure occurs for approximately 35 seconds, all numbers are blanked and all decimal points displayed.

The keys are arranged in a three-by-nine matrix (Figure 2). In addition to seven arithmetic functions plus logarithmic, trigonometric and accumulating memory functions, the calculator is capable of calculating  $Y^X$ , automatically entering  $\pi$  and providing degrees/radian conversions.

The user has access to four registers designated X, Y, Z and M. X is the display and entry register, and is the bottom of a "push-up" stack that also includes registers Y and Z:



**Note:** Lower case letters designate the data in the register identified by a capital letter.

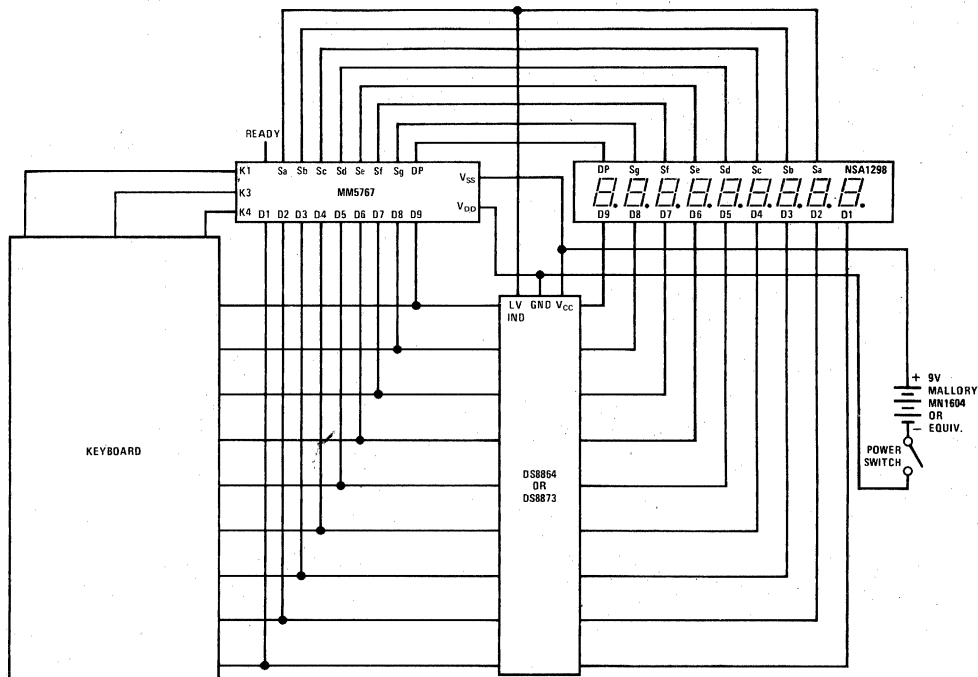


FIGURE 1. Complete Calculator Schematic

|    | K1      | K3                   | K4      |
|----|---------|----------------------|---------|
| D9 |         | TAN/6                |         |
| D8 |         | $\text{COS}^{-1}/7$  | $\pi/F$ |
| D7 | R → D/x | $\text{SIN}^{-1}/8$  | D*      |
| D6 | D → R/÷ | $\text{TAN}^{-1}/9$  | LN/0    |
| D5 | M+/+    | $\sqrt{\quad}/\cdot$ | Log/1   |
| D4 | M-/-    | EXC/EN               | $Y^X/2$ |
| D3 | CLF/CL  | MS/MR                | $e^x/3$ |
| D2 | CA*     | 1/x / CS             | COS/4   |
| D1 |         |                      | SIN/5   |

\*Keys not included in 20 key version.

FIGURE 2. Keyboard Matrix

## KEYBOARD BOUNCE AND NOISE REJECTION

The MM5767 is designed to interface with most low cost keyboards, which are often the least desirable from a false or multiple entry standpoint.

A key closure is sensed by the calculator chip when one of the key inputs, K1, K3 or K4 is forced more positive than the Logical High Level specified in the Electrical Specifications. An internal counter is started as a result of the closure. The key operation begins after nine word times if the key input is still at a Logical High Level. As long as the key is held down (and the key input remains high) no further entry is allowed. When the key input changes to a Logical Low Level, the internal counter starts a sixteen word time-out for key release. During both entry and release time-outs the key inputs are sampled approximately every other word time for valid levels. If they are found invalid, the counter is reset and the calculator assumes the last valid key input state.

One of the popular types of low-cost keyboards available, the elastomeric conductor type, has a key pressure versus contact resistance characteristic that can generate continuous noise during "teasing" or low pressure key depressions. The MM5767 recognizes a series contact resistance up to 50 k $\Omega$  as a valid key closure, assuring a reliable interface for that type of keyboard.

## AUTOMATIC DISPLAY CUTOFF

If no key is depressed for approximately 35 seconds, an internal automatic display cutoff circuit will blank all

segments and display nine decimal points. Any key depression will restore the display; to restore the display without modifying the status of the calculator, use two change sign, "CS," depressions.

## READY SIGNAL OPERATION

The Ready signal indicates calculator status. When the calculator is in an "idle" state the output is at a Logical High Level (near  $V_{SS}$ ). When a key is closed, the internal key entry timer is started. Ready remains high until the time-out is completed and the key entry is accepted as valid, then goes low as indicated in *Figures 3 and 4*. It remains at a Logical Low Level until the function initiated by the key is completed and the key is released. The low to high transition indicates the calculator has returned to an idle state and a new key can be entered.

## ERROR INDICATION

In the event of an operating error, the MM5767 will display all zeros and all decimal points. In addition to normal calculator overflow situations which occur as a result of adding, subtracting, multiplying or dividing and including division by zero, the error indication is displayed for any other calculation where the result is  $|R| > 99999999$  or  $|R| \leq 0.00000001$ .

For error conditions the Z-register is automatically cleared and the Y- and M-registers are saved. An error condition is cleared by depressing any key except "1/X," "z," "LOG X" or "LN X." Operation on the X register with an error displayed will be performed as if X contained a zero.

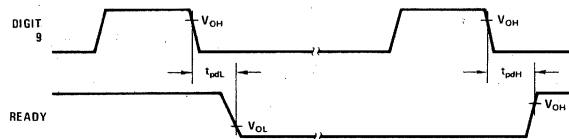


FIGURE 3. Ready Timing

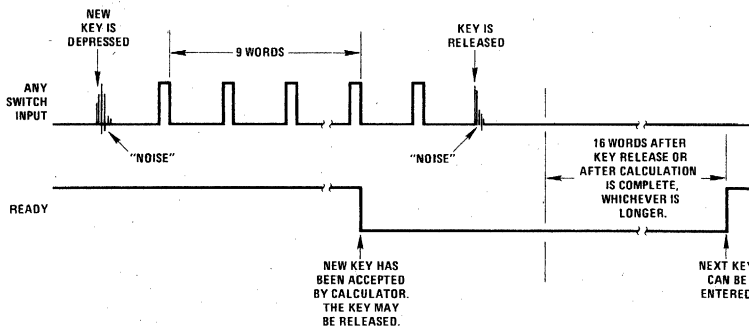


FIGURE 4. Functional Description of Ready Signal and Key Entry

**RANGE AND ACCURACY OF FUNCTIONS**

The smallest magnitude that can be displayed is  $\pm 0.00000001$  and the total range is from  $-99999999$  to  $+99999999$ . The arithmetic functions (+, -, x,  $\div$ , 1/X,

$\sqrt{X}$ ) have eight digit accuracy. All results are truncated. Table I summarizes range and accuracy of the other functions. Arithmetic calculations will be completed in less than 0.5 second; all others except  $Y^X$  in less than 2.5 seconds and  $Y^X$  in less than 5 seconds.

TABLE I. Digit Accuracy for Various Functions

| FUNCTION            | RANGE  | APPROXIMATE ACCURACY (Note 1) |
|---------------------|--|-------------------------------|
| SIN, COS, TAN       | $\sim -90^\circ$ to $\sim 90^\circ$<br>$\sim -360^\circ$ to $\sim 360^\circ$ | 7 Digits<br>6 Digits          |
| ARC SIN and ARC COS | $\sim -1$ to $\sim +1$   | 6 Digits                      |
| ARC TAN             | $-99999999$ to $99999999$  | 6 Digits                      |
| LOG                 | $X \geq 0$   | 6 Digits                      |
| $e^X$               | $-28 \leq X \leq \ell_n 99999999$  | 6 Digits                      |
| LN                  | $X \geq 0$   | 6 Digits                      |
| $\sqrt{X}$          | $X \geq 0$   | 8 Digits                      |
| $Y^X$               | $Y > 0$<br>$X \ell_n Y \leq \ell_n 99999999$                                 | 5 Digits                      |

Note 1: Six digit accuracy, as an example, would be:

1 2 3 4 5 6 X X



n digit accuracy has the n<sup>th</sup> digit from the MSD being displayed accurate within  $\pm 1$ .



## MM5777 calculator 6-digit, 4-function, floating decimal point

### general description

The MM5777 single-chip calculator was developed using a metal gate, P-channel, enhancement and depletion mode MOS process with low end-product cost as the primary objective. A complete calculator, as shown in Figure 1, requires only a keyboard, DS8977 digit driver, 6 1/4 digit LED display, an NSA1161 and a 9V battery with appropriate hardware.

Keyboard decoding and key debounce circuitry, all clock and timing generation and output 7-segment display decoding are all included on-chip and require no external discrete components. LED segments can be driven directly from the MM5777 as it typically sources 8.0 mA of peak current. [Note: The typical duty cycle of each digit is 0.143; average LED segment current is therefore approximately 0.143 (8.0 mA), or 1.14 mA. Correspondingly, the worst-case average segment current is 0.143 (4.5 mA), or 0.64 mA.] The seventh digit is used for the negative sign of a six digit number and as an error indicator. Negative results less than six digits will have the negative sign displayed one digit to the left of the most-significant-digit (MSD). The DS8977 digit driver is capable of indicating a low battery voltage condition by turning on a seventh digit segment—which does not hinder the actual calculator operation.

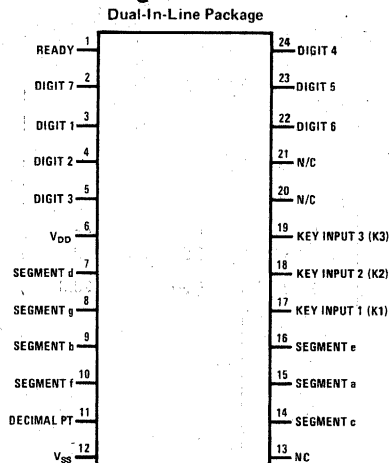
Leading and trailing zero suppression allows convenient reading of the right justified display and conserves power. Battery life is estimated to be 10 to 20 hours, depending on battery quality, operating schedule and the average number of digits displayed.

The Ready output signal is used to indicate when the calculator is performing an operation (Table I). It is useful in testing of the device or when the MM5777 is used as part of a larger system and is required to interface with other logic. (Another feature that is important in such applications is the ability to reduce the key debounce time from seven word times to four word times by forcing the Digit 6 output high during Digit 7 time.)

### features

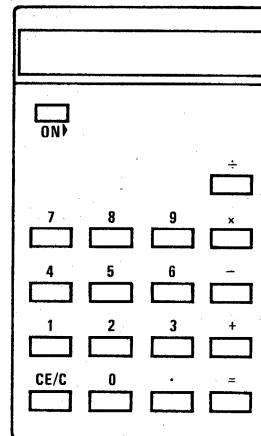
- 6-digit entry and display capacity for positive and negative numbers
- Four functions (+, -, x, ÷)
- Floating negative sign indicator is always displayed one digit to left of MSD
- Convenient algebraic key entry notation
- Floating point input and output
- Chain operations
- Direct 9V battery compatibility; low power
- Direct interface to LED segments
- No external components are required other than display digit driver, keyboard and LED display for complete calculator
- Overflow and divide-by-zero error indication
- Right justified entry and results, with leading and trailing zero suppression

### connection diagram



Order Number MM5777N  
See Package 22

### keyboard outline



**absolute maximum ratings**

Voltage at Any Pin Relative to  $V_{SS}$ . (All other pins connected to  $V_{SS}$ ).  $V_{SS} + 0.3V$  to  $V_{SS} - 12.0$   
 Ambient Operating Temperature  $0^{\circ}C$  to  $+70^{\circ}C$   
 Ambient Storage Temperature  $-55^{\circ}C$  to  $+150^{\circ}C$   
 Lead Temperature (Soldering, 10 seconds)  $300^{\circ}C$

**operating voltage range**

$6.5V \leq V_{SS} - V_{DD} \leq 9.5V$   
 ( $V_{SS}$  always defined as most positive supply voltage.)

**dc electrical characteristics**

| PARAMETER   | CONDITIONS   | MIN            | TYP           | MAX            | UNITS          |
|---|--|----------------|---------------|----------------|----------------|
| Operating Supply Current ( $I_{DD}$ )                       | $V_{DD} = V_{SS} - 9.5V$<br>$T_A = 25^{\circ}C$  |                | 8.0           | 14.0           | mA             |
| Keyboard Scan Input Levels<br>(K1, K2 and K3)               |  |                |               |                |                |
| Logical High Level ( $V_{IH}$ )                             | $V_{SS} - 6.5V \leq V_{DD} \leq V_{SS} - 9.5V$   | $V_{SS} - 2.5$ |               | $V_{SS} - 5.0$ | V              |
| Logical Low Level ( $V_{IL}$ )                              | $V_{DD} = V_{SS} - 6.5V$<br>$V_{DD} = V_{SS} - 9.5V$   |                |               | $V_{SS} - 6.0$ | V              |
| Digit Output Levels (Note 1)                                |  |                |               |                |                |
| Logical High Level ( $V_{OH}$ )                             | $V_{SS} - 6.5V \leq V_{DD} \leq V_{SS} - 9.5V$   | $V_{SS} - 1.5$ |               | $V_{SS} - 6.0$ | V              |
| Logical Low Level ( $V_{OL}$ )                              | $V_{DD} = V_{SS} - 6.5V$<br>$V_{DD} = V_{SS} - 9.5V$   |                |               | $V_{SS} - 7.0$ | V              |
| Segment Output Current<br>(Sa through Sg and Decimal Point) | $T_A = 25^{\circ}C$<br>$V_{OUT} = V_{SS} - 3.8V, V_{DD} = V_{SS} - 6.5V$<br>$V_{OUT} = V_{SS} - 5.0V, V_{DD} = V_{SS} - 8.0V$<br>$V_{OUT} = V_{SS} - 6.5V, V_{DD} = V_{SS} - 9.5V$ | -5.0           | -8.0<br>-10.0 | -15.0          | mA<br>mA<br>mA |
| Ready Output Levels   |  |                |               |                |                |
| Logical High Level ( $V_{OH}$ )                             | $I_{OUT} = -0.4$ mA  | $V_{SS} - 1.0$ |               | $V_{DD} + 1.0$ | V              |
| Logical Low Level ( $V_{OL}$ )                              | $I_{OUT} = 10\mu A$  |                |               |                | V              |

Note 1: With digit connected through key to K-line and to DS8977.

**ac electrical characteristics**

| PARAMETER   | CONDITIONS          | MIN  | TYP   | MAX  | UNITS   |
|---|---------------------|------|-------|------|---------|
| Word Time (Figure 2)  |                     | 0.50 | 1.20  | 4.1  | ms      |
| Digit Time (Figure 2)   |                     | 70   | 170   | 580  | $\mu s$ |
| Interdigit Blanking Time (Figure 2)   |                     |      | 4     |      | $\mu s$ |
| Digit Output Transition Times<br>( $t_{RISE}$ and $t_{FALL}$ )  | $C_{LOAD} = 100$ pF |      | 2     |      | $\mu s$ |
| Keyboard Inputs High to Low<br>Transition Time After<br>Key Release   | $C_{LOAD} = 100$ pF |      | 4     |      | $\mu s$ |
| Ready Output Propagation Time<br>(Figure 3)   |                     |      |       |      |         |
| Low to High Level ( $t_{PDH}$ )   | $C_{LOAD} = 100$ pF | 60   | 140   | 480  | $\mu s$ |
| High to Low Level ( $t_{PDL}$ )   | $C_{LOAD} = 100$ pF | 0.06 | 0.5   | 1.5  | ms      |
| Key Bounce-out Stability Time<br>(The time a keyboard input must be<br>continuously higher than the<br>minimum logical high level to be<br>accepted as a key closure, or con-<br>tinuously lower than the maximum<br>logical low level to be accepted as a<br>key release.) |                     | 3.40 | 8.20  | 29.0 | ms      |
| Calculation Time for<br>$999999 \div 1 = 999999$  |                     | 53.9 | 128.7 | 451  | ms      |

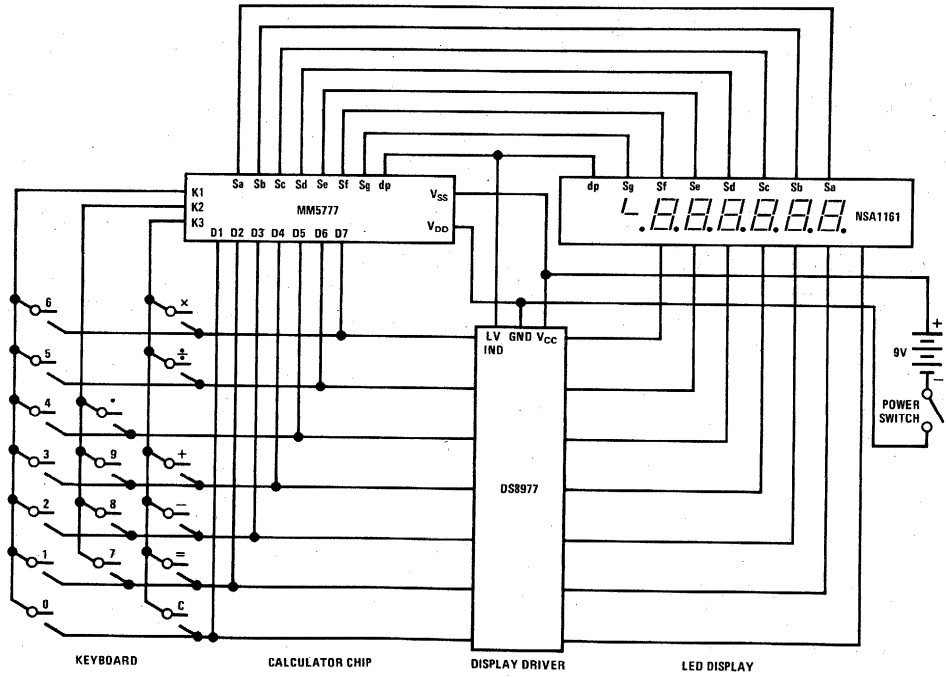


FIGURE 1. Complete Calculator Schematic

TABLE I. Ready Signal Description

| CALCULATOR FUNCTION                | READY SIGNAL  |
|------------------------------------|---|
| Idle                               | <i>READY</i> is quiescently at a Logical High Level ( $\sim V_{SS}$ ).  |
| Key Entry and Functional Operation | When a key is depressed, the bounce-out stability timer is initiated. <i>READY</i> remains high until the bounce-out time is completed and the key is entered, at which time it changes to a Logical Low Level ( $\sim V_{DD}$ ). |
| Key Release and Return to Idle     | <i>READY</i> remains low until key release is debounced and the calculator returns to the idle state. The low to high transition signals the return to idle. (The display may lag the <i>READY</i> by up to eight word times.)    |

**KEY INPUT BOUNCE AND NOISE REJECTION**

The MM5777 calculator chip is designed to interface with low cost keyboards, which are often the least desirable from a noise and false entry standpoint.

A key closure is sensed by the calculator chip when one of the Key Input Lines, K1, K2 or K3 is forced more positive than the Logical High Level specified in the Electrical Specifications. At the instant of closure, an internal "Key Bounce-out Stability Time" counter is started. Any significant voltage perturbation occurring on the switched key input during timeout will reset the timer. Hence, a key is not accepted as a valid entry until noise

or ringing has stopped and the stability time counter has timed out. Noise that persists will inhibit key entry indefinitely. Key release is timed in the same manner.

One of the popular types of low cost keyboards available, the elastomeric conductor type, has a key pressure versus contact resistance characteristic that can generate continuous noise during "teasing" or low pressure key depressions. The MM5777 defines a series contact resistance up to 50 kΩ as a valid key closure, providing an optimum interface to that type of keyboard as well as more conventional types.

## ERROR CONDITIONS

In the event of an overflow, the MM5777 will indicate error in the leftmost digit and at least five of the significant digits of the answer. Division by zero results in an error indication with six trailing zeros. Once in an error condition, all keys except the clear key are ignored. When used with the NSA1161 display, segments f and g will be displayed in the seventh digit in an error condition.

## KEY OPERATIONS

### Clear Key

Operation after a number entry clears the entry and displays a previous result. Second depression clears all registers and displays a zero without decimal point in the LSD. Operation after a function key (+, -, x, ÷ or =) clears all registers and displays a zero without decimal point. Two depressions are always required after power is applied.

### Number Entries

First, entry clears the display register and enters the number into the least significant digit (LSD) of the display register. Second through sixth entry shifts the display register left one digit and enters the number into the LSD. The seventh, and subsequent entries, are ignored and no error condition is generated. Because only five positions are allowed to follow the decimal point, the sixth and subsequent entries after a decimal point entry are ignored.

## Decimal Point

First depression of this key in a number entry will enter a decimal point in the LSD position of the display register. Subsequent depressions of the decimal point key before any function key will be ignored.

## Add, Subtract, Multiply or Divide Keys

First depression after a number entry will terminate the entry, perform the previously recorded operation, if any, and record the function key depressed as the next operation to be performed after another number entry. Subsequent depressions of any function key, without an interceding number or decimal point entry will supersede the previous function as the next to be performed. After an equal key, the displayed result of the equal operation will be re-entered and the function key depressed will become the next operation to be performed after a number entry is followed by another function key (including equal).

## Equal

First depression after a number entry will terminate the entry, perform the previously recorded operation and record the fact that an equal key has been depressed. Depression after the add, subtract or divide keys, without an interceding number or decimal point entry, will be ignored. After a multiply key, the number being displayed will be squared.

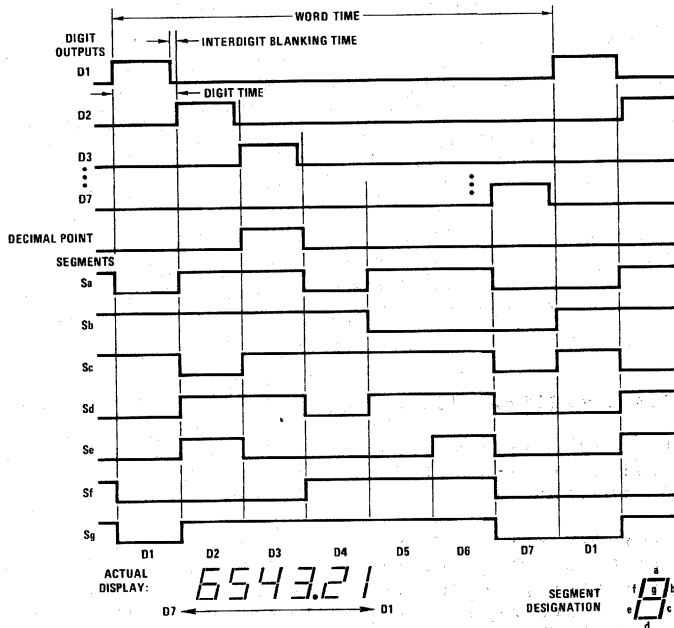


FIGURE 2. Display Timing Diagram



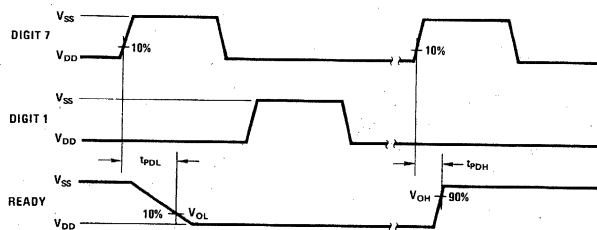


FIGURE 3. Ready Output Timing

## sample problems

### I. Single Calculations

$$5 \times 3.14 = 15.7$$

| Key | Display | Comments                                |
|-----|---------|---|
| C   |         | Two clears are required after power-up. |
| C   | 0       |   |
| 5   | 5       |   |
| x   | 5       |   |
| 3   | 3       |   |
| .   | 3.      |   |
| 1   | 3.1     |   |
| 4   | 3.14    |   |
| =   | 15.7    |   |

### II. Chain Calculations

A.  $23.37 + 243.00 - 489.16 = -222.79$

| Key                  | Display  | Comments  |
|----------------------|----------|---|
| C                    |          |   |
| C                    | 0        |   |
| 23.37                | 2 3.37   |   |
| +                    | 2 3.37   |   |
| 243                  | 2 43     |   |
| x                    | 2 6 6.37 | Function key completes previously recorded "+" operation.                     |
| (Wrong Function Key) |          |   |
| -                    | 2 6 6.37 | Wrong "X" function key is updated to "-."                                     |
| 489.17               | 4 8 9.17 |   |
| C                    | 2 6 6.37 |   |
| 489.16               | 4 8 9.16 |   |
| =                    | 2 2 2.79 | Number entry error is cleared and corrected. Note the floating negative sign. |

- B. Find square root of 169 using a modified Newton approximation method. Let  $N$  represent the squared number and  $X_0$  the initial estimate. The first approximation,  $X_1$ , is

$$X_1 = (N/X_0 + X_0)/2$$

If  $X_0$  is 15,

$$X_1 = (169/15 + 15)/2$$

$$X_2 = (169/X_1 + X_1)/2$$

$$X_3 = (169/X_2 + X_2)/2, \text{ etc.}$$

| Key   | Display     | Comments                                |
|-------|-------------|---|
| C     |             |   |
| C     | 0           |   |
| 169   | 1 69        |   |
| ÷     | 1 69        |   |
| 15    | 15          |   |
| +     | 11.2 6 6 6  |   |
| 15    | 15          |   |
| ÷     | 2 6.2 6 6 6 |   |
| 2     | 2           |   |
| =     | 13.1 3 3 3  | Result is $X_1$                         |
| 169   | 1 69        |   |
| ÷     | 1 69        |   |
| 13.13 | 1 3.1 3     | Four digits are conveniently remembered |

## sample problems (con't)

## II. Chain Calculations (continued)

| Key   | Display | Comments   |
|-------|---------|--|
| +     | 12.8712 |  |
| 13.13 | 13.13   |  |
| ÷     | 26.0012 |  |
| 2     | 2       |  |
| =     | 13.0006 | Result is $X_2$ , which is usually adequate. If more accuracy is required, continue the iteration. |

## III. Auto Squaring

A.  $5.25^2 = 27.5625$

| Key  | Display | Comments                               |
|------|---------|--|
| C    |         |  |
| C    | 0       |  |
| 5.25 | 5.25    |  |
| x    | 5.25    |  |
| =    | 27.5625 | Number in display register is squared. |

B.  $5.25^5 = 3988.37$

| Key  | Display | Comments               |
|------|---------|------------------------|
| C    |         |                        |
| C    | 0       |                        |
| 5.25 | 5.25    |                        |
| x    | 5.25    |                        |
| =    | 27.5625 | Auto square = $5.25^2$ |
| x    | 27.5625 |                        |
| =    | 759.691 | Auto square = $5.25^4$ |
| x    | 759.691 |                        |
| 5.25 | 5.25    |                        |
| =    | 3988.37 | Result is $5.25^5$     |



## MM5780 educational toy calculator general description

The MM5780 single-chip, educational calculator was developed using a metal gate, P-channel, enhancement and depletion mode MOS process. It was designed with low end-product cost as the primary objective and is directed toward the educational toy market. Besides the MM5780, a complete calculator, as shown in *Figure 1*, requires only a keyboard, "Right" and "Wrong" LED display, a 9V battery and an on/off switch. Keyboard encoding and key debounce circuitry, all clock and timing generation and the capability to drive the two LEDs are all included on-chip and require *no* external discrete components.

The MM5780 educational calculator was designed to be a mathematical aid to school age children. Problems are entered into the machine in algebraic form exactly as they are written across a printed page. The student provides the answer or missing factor and when finished, depresses the Test key. "Right" and "Wrong" outputs provide an indication of the results of the test. If wrong, the student tries the problem again. If correct, he can move on to the next problem. Most problems using +, -, x and ÷ can be learned using this machine. The calculator does not have provisions for remainders in division or negative number entries. A negative result can be entered before the Test key is depressed.

The MM5780 is a low power device which operates directly from a 9V battery. Battery life is estimated to be 10 to 30 hours depending on battery quality and operating schedule.

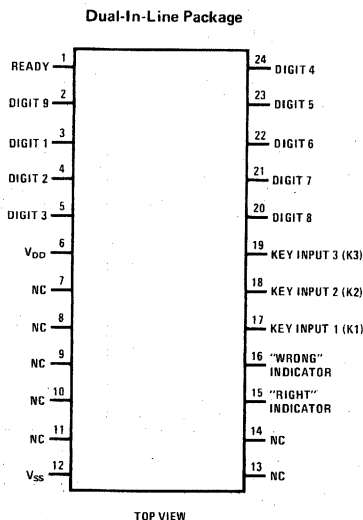
When the battery voltage falls below an operational level, an internal circuit will disable both indicator outputs; i.e., neither indicator will be on after depression of Test.

The Ready output signal is used to indicate when the calculator is performing an operation. It is useful in testing of the device or if interfacing with other logic. Another feature that is important in testing is the capability of reducing the key debounce time from seven word times to four word times by forcing the Digit 7 output high during Digit 9 time.

## features

- Full 8-digit entry capacity
- Four functions (+, -, x, ÷)
- Convenient algebraic key entry notation
- Floating point input and output
- Chain operations
- Direct 9V battery compatibility; low power
- Direct interface to LED indicators
- No external components required other than keyboard and LED display for complete educational calculator
- Overflow and divide-by-zero error indication
- Low battery voltage sensing

## connection diagram



Order Number MM5780N  
See Package 22

**absolute maximum ratings**

|  |                                    |
|--|------------------------------------|
| Voltage at Any Pin Relative to $V_{SS}$ . (All other pins connected to $V_{SS}$ .) | $V_{SS} + 0.3V$ to $V_{SS} - 12.0$ |
| Ambient Operating Temperature  | $0^{\circ}C$ to $+70^{\circ}C$     |
| Ambient Storage Temperature  | $-55^{\circ}C$ to $+150^{\circ}C$  |
| Lead Temperature (Soldering, 10 seconds)   | $300^{\circ}C$                     |

**operating voltage range** (Note 1)

$6.5V \leq V_{SS} - V_{DD} \leq 9.5V$   
( $V_{SS}$  is always defined as the most positive supply voltage.)

**dc electrical characteristics**

| PARAMETER                                  | CONDITIONS  | MIN            | TYP            | MAX                              | UNITS    |
|--|---|----------------|----------------|----------------------------------|----------|
| Operating Supply Current ( $I_{DD}$ )      | $V_{DD} = V_{SS} - 9.5V$ , $T_A = 25^{\circ}C$  |                | 8.0            | 14.0                             | mA       |
| Keyboard Scan Input Levels (K1, K2 and K3) |   |                |                |                                  |          |
| Logical High Level ( $V_{IH}$ )            | $V_{SS} - 6.5V \leq V_{DD} \leq V_{SS} - 9.5V$  | $V_{SS} - 2.5$ |                |                                  | V        |
| Logical Low Level ( $V_{IL}$ )             | $V_{DD} = V_{SS} - 6.5V$<br>$V_{DD} = V_{SS} - 9.5V$  |                |                | $V_{SS} - 5.0$<br>$V_{SS} - 6.0$ | V<br>V   |
| Digit Output Levels (Note 1)               |   |                |                |                                  |          |
| Logical High Level ( $V_{OH}$ )            | $V_{SS} - 6.5V \leq V_{DD} \leq V_{SS} - 9.5V$  | $V_{SS} - 1.5$ |                |                                  | V        |
| Logical Low Level ( $V_{OL}$ )             | $V_{DD} = V_{SS} - 6.5V$<br>$V_{DD} = V_{SS} - 9.5V$  |                |                | $V_{SS} - 6.0$<br>$V_{SS} - 7.0$ | V<br>V   |
| Indicator Output Current Source Current    | $T_A = 25^{\circ}C$<br>$V_{OUT} = V_{SS} - 4.5$ , $V_{DD} = V_{SS} - 6.5V$<br>$V_{OUT} = V_{SS} - 4.8$ , $V_{DD} = V_{SS} - 9.5V$ | -10.0          | -15.0<br>-25.0 | -32.0                            | mA<br>mA |
| Ready Output Levels                        |   |                |                |                                  |          |
| Logical High Level ( $V_{OH}$ )            | $I_{OUT} = -0.4$ mA   | $V_{SS} - 1.0$ |                |                                  | V        |
| Logical Low Level ( $V_{OL}$ )             | $I_{OUT} = 10\mu A$   |                |                | $V_{DD} + 1.0$                   | V        |

**ac electrical characteristics** (Figure 2)

| PARAMETER  | CONDITIONS          | MIN | TYP  | MAX  | UNITS   |
|--|---------------------|-----|------|------|---------|
| Word Time  |                     | 0.6 | 1.5  | 5.2  | ms      |
| Digit Time   |                     | 70  | 170  | 580  | $\mu s$ |
| Keyboard Input (K1, K2, K3) High to Low Transition Time After Key Release  | $C_{LOAD} = 100$ pF |     | 4    |      | $\mu s$ |
| Ready Propagation Time   |                     |     |      |      |         |
| Low to High Level ( $t_{PDH}$ )  | $C_{LOAD} = 100$ pF | 60  | 140  | 480  | $\mu s$ |
| High to Low Level ( $t_{PDL}$ )  |                     |     | 0.5  | 1.5  | ms      |
| Key Bounce-out Stability Time (The time a keyboard input must be continuously higher than the minimum logical high level to be accepted as a key closure, or continuously lower than the maximum logical low level to be accepted as a key release.) |                     | 4.2 | 10.5 | 35.0 | ms      |
| Calculation Time for $9999999 \div 1 = 9999999$  |                     | 90  | 220  | 765  | ms      |

**Note 1:** The internal low battery voltage sensing circuit will disable both indicator outputs when  $V_{SS} - V_{DD}$  falls below a safe operating voltage. That voltage may be less than or greater than 6.5V depending on process variables; the MM5780 will have been tested to operate correctly for any voltage less than 9.5V at which an indicator output is enabled.

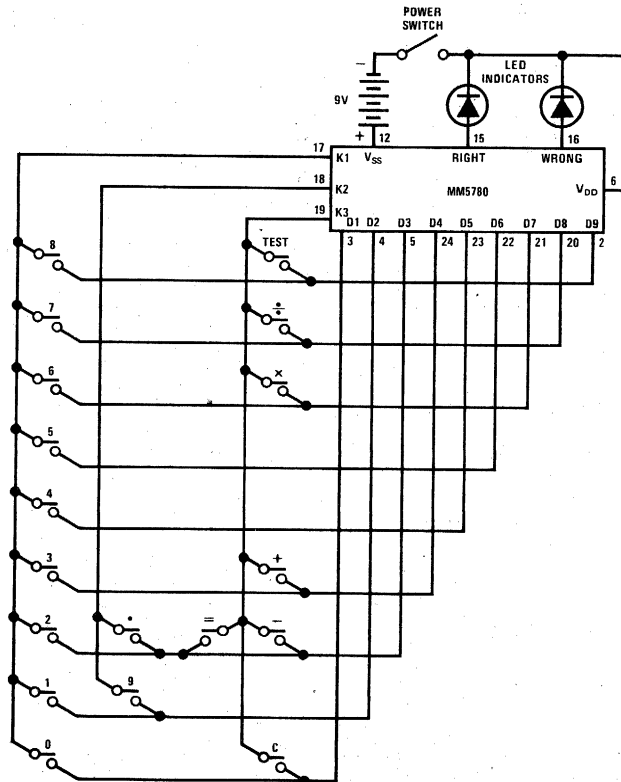


FIGURE 1. Complete Calculator

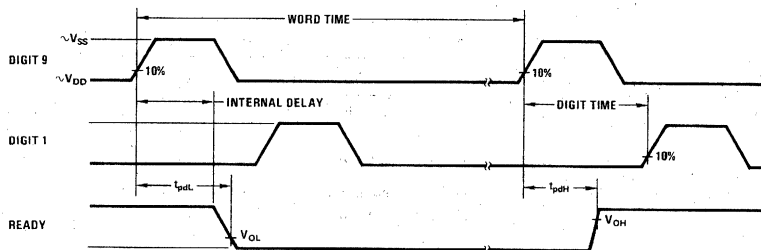


FIGURE 2. Output Timing

### KEY INPUT BOUNCE AND NOISE REJECTION

The MM5780 calculator chip is designed to interface with low cost keyboards, which are often the least desirable from a noise and false entry standpoint.

A key closure is sensed by the calculator chip when one of the Key Input Lines, K1, K2 or K3 are forced more positive than the Logical High Level specified in the Electrical Specifications. At the instant of closure, an internal "Key Bounce-out Stability Time" counter is started. Any significant voltage perturbation occurring on the switched key input during timeout will reset the timer. Hence, a key is not accepted as a valid entry until noise

or ringing has stopped and the stability time counter has timed out. Noise that persists will inhibit key entry indefinitely. Key release is timed in the same manner.

One of the popular types of low cost keyboards available, the elastomeric conductor type, has a key pressure versus contact resistance characteristic that can generate continuous noise during "teasing" or low pressure key depressions. The MM5780 defines a series contact resistance up to 50 k $\Omega$  as a valid key closure, providing an optimum interface to that type of keyboard as well as more conventional types.

## Error Conditions

In the event of an overflow or divide-by-zero the "Wrong" light will come on and remain on until a Clear key is depressed. Normally the indicator lights are activated only after depression of the TEST key.

## KEY OPERATIONS

### Clear Key

The Clear key clears all registers to zero and places the machine in an idle state.

### Number Entries

First entry clears the entry register and enters the number into the least significant digit (LSD) of the entry register and extinguishes the indicator lights. Second through eighth entry shifts the entry register left one digit and enters the number into the LSD. The ninth and subsequent entries, are ignored and no error condition is generated. Because only seven positions are allowed to follow the decimal point, the eighth and subsequent entries after a decimal point entry are ignored.

### Decimal Point

Depression results in a decimal point entry into the entry register.

### Add, Subtract, Multiply or Divide Keys

First depression after a number entry will terminate the entry, perform the previously recorded operation, if any, and record the function key depressed as the next operation to be performed after another number entry.

Subsequent depressions of any function key, without an interceding number or decimal point entry will supersede the previous function as the next to be performed. If a function key is depressed after an equal key, the result of the operation will be re-entered and the function key depressed will become the next operation to be performed after a number entry is followed by another function key (including equal).

### Equal

First depression after a number entry will terminate the entry, perform the previously recorded operation and record the fact that an equal key has been depressed. Depression after the add, subtract or divide keys, without an interceding number or decimal point entry, will be ignored. After a multiply key, the number in the entry register will be squared.

### Resultant Entries

Results are entered as number entries after an equal key and before the Test key. Results are assumed positive and a plus key should *not* be entered prior to the resultant. Negative results must be preceded by a minus key.

### Test

The Test key is used to terminate computations and to initiate a test of the student's answer versus the calculator's answer. If the answers match, the "Right" indicator is enabled, otherwise the "Wrong" indicator is enabled. If the results are incorrect the problem must be worked again from the beginning.

TABLE I. Ready Signal Description

| CALCULATOR FUNCTION                | READY SIGNAL  |
|------------------------------------|---|
| Idle                               | <i>READY</i> is quiescently at a Logical High Level ( $\sim V_{SS}$ ).  |
| Key Entry and Functional Operation | When a key is depressed, the bounce-out stability timer is initiated. <i>READY</i> remains high until the bounce-out time is completed and the key is entered, at which time it changes to a Logical Low Level ( $\sim V_{DD}$ ). |
| Key Release and Return to Idle     | <i>READY</i> remains low until key release is debounced and the calculator returns to the idle state. The low to high transition signals the return to idle.  |

TABLE II. Indicator Truth Table

| CALCULATOR CONDITION   | INDICATOR OUTPUT |        |
|--|------------------|--------|
|  | PIN 15           | PIN 16 |
| Test was last key depressed with correct answer entered.   | HIGH             | LOW    |
| Test was last key depressed with incorrect answer entered or the problem has resulted in an error or overflow condition. | LOW              | HIGH   |
| Any key other than Test was last depressed and calculator is not in an error or overflow condition.                      | LOW              | LOW    |
| Clear was last key depressed.  | LOW              | LOW    |
| The battery supply voltage has fallen below a valid operating voltage for the MM5780. Independent of keys depressed.     | LOW              | LOW    |

## sample problems

I. Simple Addition:  $4 + 5 = ?$ 

| Key  | Display | Comments                    |
|------|---------|-----------------------------|
| C    |         |                             |
| C    | NONE    | Clear necessary on power-up |
| 4    | NONE    |                             |
| +    | NONE    |                             |
| 5    | NONE    |                             |
| =    | NONE    |                             |
| 8    | NONE    | Answer supplied             |
| TEST | WRONG   | Wrong answer                |
| 4    | NONE    | Indicator goes out          |
| +    | NONE    |                             |
| 5    | NONE    |                             |
| =    | NONE    |                             |
| 9    | NONE    |                             |
| TEST | RIGHT   |                             |

II. Missing Factor Addition:  $6 + ? = 11$ 

| Key  | Display | Comments                |
|------|---------|-------------------------|
| 6    | NONE    | Indicator goes out      |
| +    | NONE    |                         |
| 5    | NONE    | Missing factor supplied |
| =    | NONE    |                         |
| 11   | NONE    |                         |
| TEST | RIGHT   |                         |

III. Subtraction:  $4 - 7 = ?$ 

| Key  | Display | Comments                 |
|------|---------|--------------------------|
| 4    | NONE    | Indicator goes out       |
| -    | NONE    |                          |
| 7    | NONE    |                          |
| =    | NONE    |                          |
| -    | NONE    |                          |
| 3    | NONE    | Negative answer supplied |
| TEST | RIGHT   |                          |

IV. Multiplication:  $7 \times 3 = ?$ 

| Key  | Display | Comments           |
|------|---------|--------------------|
| 7    | NONE    | Indicator goes out |
| x    | NONE    |                    |
| 3    | NONE    |                    |
| =    | NONE    |                    |
| 21   | NONE    | Answer supplied    |
| TEST | RIGHT   |                    |

## sample problems (con't)

V. Missing Factor Multiplication:  $6 \times ? = 12$ 

| Key  | Display | Comments                |
|------|---------|-------------------------|
| 6    | NONE    | Indicator goes out      |
| x    | NONE    |                         |
| 3    | NONE    | Missing factor supplied |
| =    | NONE    |                         |
| 12   | NONE    |                         |
| TEST | WRONG   | Incorrect               |
| 6    | NONE    | Indicator goes out      |
| x    | NONE    |                         |
| 2    | NONE    | Missing factor supplied |
| =    | NONE    |                         |
| 12   | NONE    |                         |
| TEST | RIGHT   |                         |

VI. Division:  $15 \div 3 = ?$ 

| Key  | Display | Comments           |
|------|---------|--------------------|
| 15   | NONE    | Indicator goes out |
| ÷    | NONE    |                    |
| 3    | NONE    |                    |
| =    | NONE    |                    |
| 5    | NONE    | Answer supplied    |
| TEST | RIGHT   |                    |

VII. Complex Chain:  $(6 + 2 - 10) \times 3 = ?$ 

| Key  | Display | Comments                 |
|------|---------|--------------------------|
| 6    | NONE    | Indicator goes out       |
| +    | NONE    |                          |
| 2    | NONE    |                          |
| -    | NONE    |                          |
| 10   | NONE    |                          |
| x    | NONE    |                          |
| 3    | NONE    |                          |
| =    | NONE    |                          |
| -    | NONE    |                          |
| 6    | NONE    | Negative answer supplied |
| TEST | RIGHT   |                          |





## MM5791 seven-function, accumulating memory calculator

### general description

The single-chip MM5791 calculator was developed using a metal-gate, P-channel enhancement and depletion mode MOS/LSI technology with a primary objective of low end-product cost. A complete calculator as shown in *Figure 1* requires only the MM5791, a keyboard, DS8874 digit driver, NSA1198 or NSA1298 LED display and a 9V battery.

Keyboard decoding and key debounce circuitry, all clocks and timing generation, power-on clear, display turnoff and 7-segment output display decoding are included on-chip and require no external components. Segments can usually be driven directly from the MM5791, as it typically sources 8.5 mA of peak current. The left-most, or 9th digit is used to indicate memory in use or the negative sign of an eight digit number.

Leading zero supression and a floating negative sign allows convenient reading of the display and conserves power. The DS8874 digit driver is capable of sensing a low battery voltage and providing a signal during the left-most digit time that can be used to turn on one of the segments as an indicator. Typical current drain of a complete calculator displaying five "5's" is 30 mA. Automatic display cutoff after approximately 25 seconds is included.

The Ready output signal is used to indicate calculator status. It is useful in providing synchronization informa-

tion during testing and when the MM5791 is used with other logic devices.

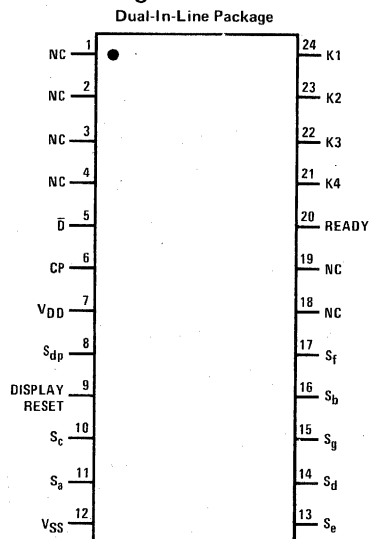
Data ( $\bar{D}$ ) and Shift (CP) outputs are the only two connections required between the MM5791 and the digit driver. This reduces the number of pins on both packages and the amount of interconnect on the printed circuit board. *Figure 3* shows the timing relationships between the MM5791 and DS8874.

### features

- Full 8-digit capacity
- 7-functions (+, -, x, ÷, x<sup>2</sup>, √x, %)
- Convenient algebraic notation
- Fully protected accumulating memory (M+, M-)
- Automatic constant independent of memory
- Floating input/floating output
- Power-on clear\*
- On-chip oscillator\*
- Display turnoff after 25 seconds (typical)\*
- Direct 9.0V battery compatibility\*
- Low system cost
- Direct segment drive of LED display\*

\*Requires no external components.

### connection diagram

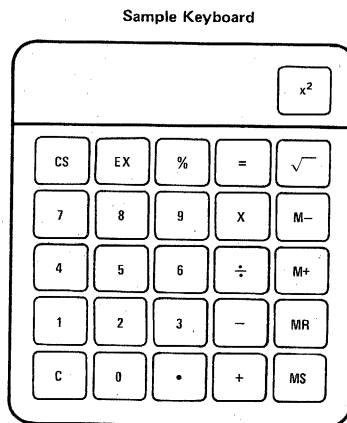


TOP VIEW

Order Number MM5791N

See Package 22

### keyboard outline



## absolute maximum ratings

Voltage at Any Pin Relative to  $V_{SS}$   $V_{SS} + 0.3V$  to  $V_{SS} - 12V$   
 (All Other Pins Connected to  $V_{SS}$ )  
 Ambient Operating Temperature  $0^{\circ}C$  to  $+70^{\circ}C$   
 Ambient Storage Temperature  $-55^{\circ}C$  to  $+150^{\circ}C$   
 Lead Temperature (Soldering, 10 seconds)  $300^{\circ}C$

## operating voltage range

$$6.5V \leq V_{SS} - V_{DD} \leq 9.5V$$

## dc electrical characteristics

| PARAMETER                             | CONDITIONS  | MIN            | TYP | MAX            | UNITS          |
|---------------------------------------|---|----------------|-----|----------------|----------------|
| Operating Supply Current ( $I_{DD}$ ) | $V_{DD} = V_{SS} - 9.5V$ , $T_A = 25^{\circ}C$  |                | 8   | 15             | mA             |
| Keyboard Scan Input Levels<br>(K1-K4) |   |                |     |                |                |
| Logical High Level ( $V_{IH}$ )       | $V_{DD} = V_{SS} - 6.5V$ , $I_{IH} \leq -300 \mu A$   | $V_{SS} - 2.5$ |     | $V_{SS}$       | V              |
|                                       | $V_{DD} = V_{SS} - 9.5V$ , $I_{IH} \leq -300 \mu A$   | $V_{SS} - 4.7$ |     | $V_{SS}$       | V              |
| Logical Low Level ( $V_{IL}$ )        | $V_{DD} = V_{SS} - 6.5V$  | $V_{DD}$       |     | $V_{SS} - 5.5$ | V              |
|                                       | $V_{DD} = V_{SS} - 9.5V$  | $V_{DD}$       |     | $V_{SS} - 8.0$ | V              |
| Display Reset Input Levels            |   |                |     |                |                |
| Logical High Level                    | $V_{DD} = V_{SS} - 6.5V$  | $V_{SS} - 1.5$ |     |                | V              |
| Logical Low Level                     | $V_{DD} = V_{SS} - 9.5V$  |                |     | $V_{DD} + 1.5$ | V              |
| Segment Output Current                | $T_A = 25^{\circ}C$ ,<br>$V_{OUT} = V_{SS} - 3.6V$ , $V_{DD} = V_{SS} - 6.5V$<br>$V_{OUT} = V_{SS} - 5.0V$ , $V_{DD} = V_{SS} - 8.0V$<br>$V_{OUT} = V_{SS} - 6.5V$ , $V_{DD} = V_{SS} - 9.5V$ | -5.0           | -10 | -15            | mA<br>mA<br>mA |
| Ready Output                          | $V_{DD} = V_{SS} - 6.5V$  |                |     |                |                |
| Logical High Level                    | $I_{OUT} = -250 \mu A$  | $V_{SS} - 1.0$ |     |                | V              |
| Logical Low Level                     | $I_{OUT} = 25 \mu A$  |                |     | $V_{SS} - 5.0$ | V              |
| $\bar{D}$ and CP Outputs              |   |                |     |                |                |
| Logical High Level                    | $V_{DD} = V_{SS} - 6.5V$ , $V_{OUT} = V_{SS} - 2.0V$  | -220           |     |                | $\mu A$        |
|                                       | $V_{DD} = V_{SS} - 9.5V$ , $V_{OUT} = V_{SS} - 5.0V$  |                |     | -1100          | $\mu A$        |
| Logical Low Level                     | $V_{DD} = V_{SS} - 9.5V$ , $V_{OUT} = V_{DD} + 0.8V$  | 100            |     |                | $\mu A$        |

## ac electrical characteristics

| PARAMETER   | CONDITIONS               | MIN  | TYP  | MAX  | UNITS      |
|---|--------------------------|------|------|------|------------|
| Word Time   | (Figure 2)               | 0.53 |      | 3.3  | ms         |
| Digit Time  | (Figure 2)               | 58   |      | 367  | $\mu s$    |
| Interdigit Blanking Time<br>(Segment Outputs)   | (Figure 2)               |      | 4.0  |      | $\mu s$    |
| CP and $\bar{D}$ Transition Times   |                          |      |      |      |            |
| High to Low   | $V_{DD} = V_{SS} - 6.5V$ |      | 5    | 12   | $\mu s$    |
| Low to High   | $C_{LOAD} = 50 pF$       |      | 0.75 | 1.5  | $\mu s$    |
| Ready Transition Times  |                          |      |      |      |            |
| High to Low   | $V_{DD} = V_{SS} - 6.5$  |      | 5    | 20   | $\mu s$    |
| Low to High   | $C_{LOAD} = 50 pF$       |      | 2.0  | 4.0  | $\mu s$    |
| Keyboard Scan Inputs  |                          |      |      |      |            |
| High to Low   | $C_{LOAD} = 100 pF$      |      | 4.0  |      | $\mu s$    |
| Low-to-High Transition Time<br>After Key Release  |                          |      |      |      |            |
| Key Bounce-Out Stability Time<br>(The time a keyboard scan input must be continuously lower than the maximum logical low level to be accepted as a key closure, or higher than the minimum logical high level to be accepted as a key release.) |                          | 6.36 |      | 39.6 | ms         |
| Display Cutoff Time<br>(The time after the last valid key closure at which the 7 most-significant bits will be blanked.)  |                          |      | 25   |      | seconds    |
| Worst Case Calculation Time   |                          |      |      | 200  | word times |

**FUNCTIONAL DESCRIPTION**

The MM5791 is a calculator chip which contains four data registers: (1) entry, (2) accumulator, (3) working and (4) memory, each consisting of 8 digits, sign, and decimal point. The entry register is always displayed. It contains digit entries from the keyboard, and results of all functions except M+ and M-. The accumulator is used in all arithmetic functions and stores a copy of the entry register on all results. This allows another number to be entered without losing an intermediate result. Multiply and divide requires three registers to perform the function and save the divisor, or multiplier. The working register is provided to perform these functions in conjunction with the entry and accumulator registers.

The memory register is used only to store a number to be used later. It is fully protected during all operations, and is only modified by depressing a "MS," "M+," or "M-" key. Power on clears all of the registers including the memory register.

The MM5791 performs the "+," "-", "x" and "÷" functions using algebraic notation. This requires the use of a mode register and a terminate flag. The mode register directs the machine to the proper function (add, subtract, multiply or divide) with each new key entry. After the function has been performed, the key entered is used to modify the mode register.

The terminate flag is set on "=" and sometimes on "%" and "C." This signifies the end of the problem. The MM5791 allows for full floating entries and intermediate results.

If the terminate flag is set, a "+," "-", "x" or "÷" key signals the beginning of a new problem. The number being displayed is copied into the accumulator register and the mode register assumes the mode of the key entered. The terminate flag is always reset by the "+," "-", "x" and "÷" keys.

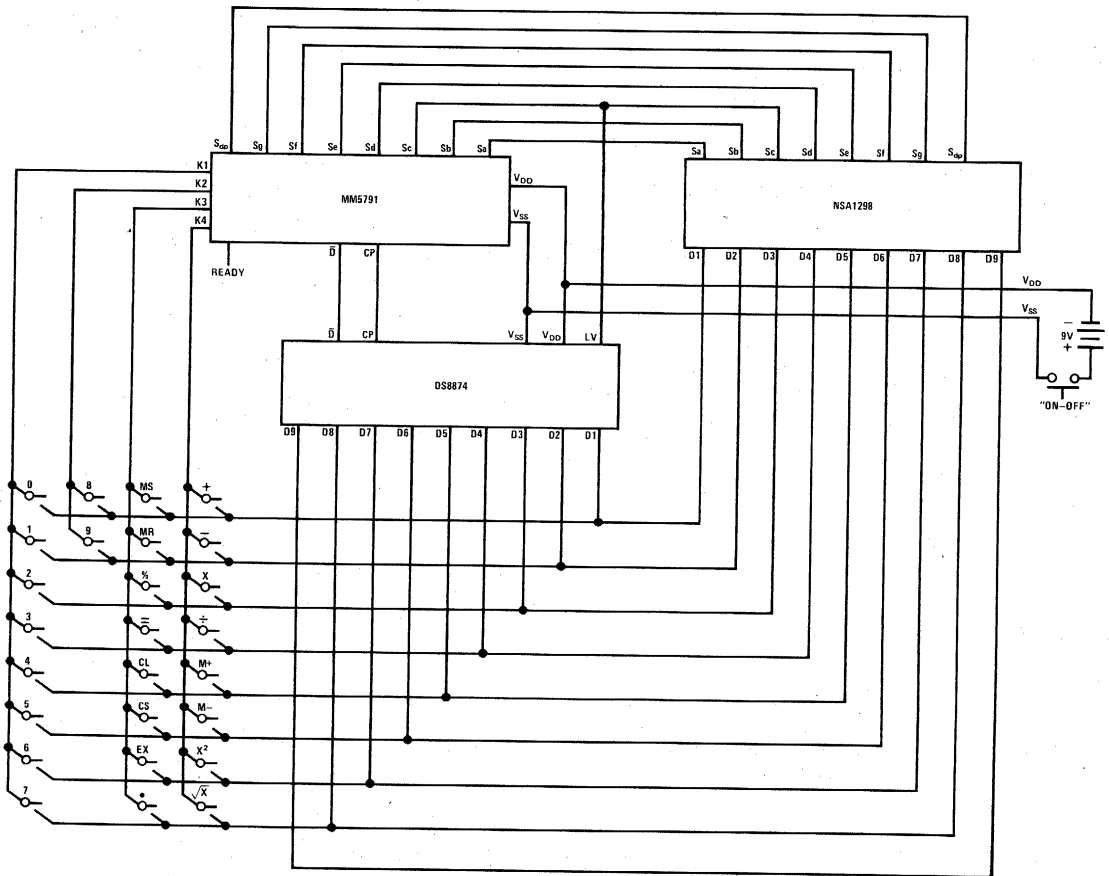


FIGURE 1. Complete Calculator Schematic

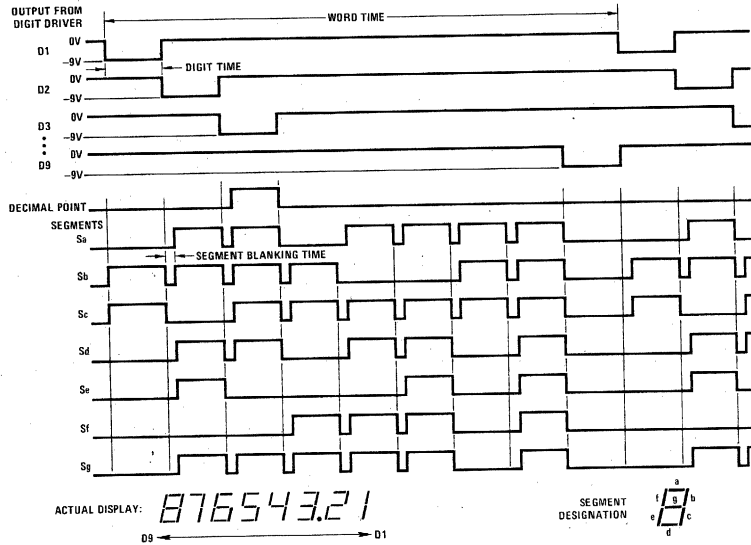


FIGURE 2. Display Timing

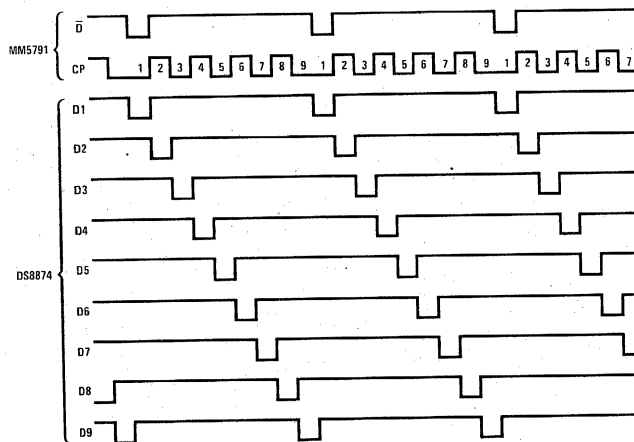


FIGURE 3. Digit Timing

### OPERATION IN THE ADD AND SUBTRACT MODE

If the terminate flag is set, an "=" key will result in a constant add/subtract. The number in the accumulator will be added to (or subtracted from) the number being displayed. The result is right-justified and displayed in the entry register. Accumulator and mode registers are not altered, allowing for constant operations.

If the terminate flag is not set and a number has been entered from the keyboard, or memory register, a "+," "-", "x" or "÷" key will result in an addition or subtraction. The entry register will be added to or subtracted from the accumulator and the new running total will be displayed in the entry register and copied into the accumulator register. The mode will be altered according to which key is entered.

If the terminate flag is not set, and a number has not been entered from the keyboard, or memory, a "+," "-", "x" or "÷" key will only change the mode register to the new key entry.

If the terminate flag is not set, an "=" key will add/subtract the number being displayed to/from the number in the accumulator register. The number being displayed is transferred to the accumulator, and the result of the operation is displayed in the entry register. The terminate flag is set, conditioning the calculator for constant, add/subtract operation. The number being displayed previous to the "=" key is stored in the accumulator as the constant.

Operation of the "%" key in add/subtract mode, with the terminate flag reset, will multiply the accumulator by the last entry, divide the result by 100, and display it in the entry register. The mode register remains as it was in the add or subtract mode. All of the above is required to perform the percent add on or discount problems. Depression of an "=" key after the "%" key will either tax or discount the original number as a function of the mode register and the last entry.

Operation of the "%" key in add/subtract mode, with the terminate flag set, will shift the decimal point of the number being displayed two places to the left and copy it into the accumulator register. The mode is set to multiply and the terminate flag remains set.

#### OPERATION IN THE MULTIPLY MODE

If the terminate flag is set, an "=" key will result in a constant multiply operation. The number being displayed is multiplied by the constant stored in the accumulator register. The result is displayed in the entry register and the accumulator and mode registers are not altered, allowing for constant operation. Repeated depressions of the "=" key can be used to raise a number to an integer power, i.e., "C," "C," "5.2," "x," "=", "=", "=" computes  $5.2^4$ .

The constant in multiplication, as well as in addition, subtraction and division is the last number entered. For the sequence: "C," "C," "3," "÷," "4," "x," "2," "=" the constant multiplier for future problems is 2.

If the terminate flag is not set, an "=" key will signal the end of a problem. The number in the display will be multiplied by the contents of the accumulator, and the results will be displayed in the entry register. The number previously in the entry register is stored in the accumulator register and the terminate flag is set.

If the terminate flag is not set, and a number has been entered from the keyboard or memory register, a "+," "-" "x" or "÷" key will result in a multiplication. The number being displayed will be multiplied by the number residing in the accumulator register. The result will be copied into the accumulator and displayed in the entry register. The mode register is up-dated as a function of the key depressed.

Operation of the "%" key while in multiply mode looks exactly the same as an "=" key except the decimal point of the display is shifted two positions to the left before the multiplication takes place.

#### OPERATION IN THE DIVIDE MODE

If the terminate flag is set, an "=" key will result in constant divide operation. The number being displayed is divided by the constant stored in the accumulator register. The accumulator and mode registers are not altered allowing for constant operations. Repeated depressions of the "=" key will result in repeated divisions by the constant. Thus, it is possible to raise a number to a negative integer power using the sequence: "C," "C," "1," "÷," "No.," "=", "=", "=" etc.

If the terminate flag is not set, an "=" key will signal the end of a problem. The number in the accumulator register will be divided by the number being displayed. The result is transferred to the entry register and dis-

played. The terminate flag is set and the divisor is stored in the accumulator register.

If the terminate flag is not set, a "+," "-" "x" or "÷" key will result in a division. The number in the accumulator register will be divided by the number being displayed. The results are displayed in the entry register, and a copy of the result is stored in the accumulator. The mode register is modified to reflect the latest key entry.

Operation of the "%" key while in divide mode looks exactly the same as the "=" key except the decimal point of the display is shifted two positions to the left before division takes place.

#### ERROR CONDITIONS

If any of the operations mentioned above generates a number larger than 9999 9999, an error will occur. An error is indicated by displaying the eight most significant digits and sign with all nine decimal points. The first depression of the "C" key will clear the error condition, and all registers except the memory register.

It is not possible to generate an error during number entry. The ninth and subsequent digits entered are ignored.

#### DISPLAY TURNOFF AND LEADING ZERO SUPPRESSION

In order to conserve battery power, the MM5791 blanks leading zeros and turns off all but the least significant digit, decimal point and sign after 25 seconds (typical) of no activity. Once the display turns off, any key depression will turn it back on and perform the function indicated. Two depressions of the "CS" key will turn on the display with no change to the machine. If Reset Display is hard-wired to  $V_{DD}$ , the display will never turn off.

#### POWER-ON CONDITION

The MM5791 has an internal power-on clear circuit which clears all registers to zero, places the mode to add and sets the terminate flag. A zero and decimal point are displayed.

#### KEYBOARD BOUNCE AND NOISE REJECTION

The MM5791 is designed to interface with most low cost keyboards, which are often the least desirable from a false or multiple entry standpoint.

A key closure is sensed by the calculator chip when one of the key inputs, K1, K2, K3 or K4 is forced more negative than the Logical Low Level specified in the electrical specifications. An internal counter is started as a result of the closure. The key operation begins after eleven word times if the Key Input is still at a Logical Low Level. As long as the key is held down (and the Key Input remains low) no further entry is allowed. When the Key Input changes to a Logical High Level, the internal counter starts an eleven word timeout for key release. During both, entry and release timeouts, the Key Inputs are sampled every word time for valid levels. If they are found invalid, the counter is reset and the calculator resumes scanning the keyboard.

## READY SIGNAL OPERATIONS

The Ready signal indicates calculator status. When the calculator is in an "idle" state, the output is at a Logical High Level (near  $V_{SS}$ ). When a key is closed, the internal key entry timer is started. Ready remains high until the timeout is completed and the key entry is accepted as valid, then goes low as indicated in *Figures 5 and 6*. It remains at a Logical Low Level until the function initiated by the key is completed and the key is released. The low to high transition indicates the calculator has returned to an idle state and a new key can be entered.

## TEST FEATURES

Several features have been designed into the MM5791 to facilitate testing. One is to allow the key debounce timing to be modified, and the second performs a "segment test" function which turns on all segments for all digit times, with no interdigit blanking. The key bounce time can be reduced from eleven word times to one if a key closure is made between D9 and K2. Similarly the "Segment Test" occurs when a key closure is made between D9 and K3. Closures for test operations are not debounced, and also may occur simultaneously with normal key closures if diodes are used to isolate the D-Lines from each other. The test features are active for every word time the Test switch closure is maintained. These test matrix entries are isolated internally from the normal calculator keys, allowing simultaneous entry of "test" keys and "calculator" keys.

## FUNCTION OF KEYS

Some of the keys operate differently when in the data or number entry condition. The MM5791 switches to entry condition when entering numbers and leaves this condition after most function keys. The following paragraphs discuss each of the keys on a full keyboard and the action taken when they are depressed. The earlier paragraphs which discussed the action of "+", "-", "x", "

"=" and "%" keys and the examples given in later sections will aid in further explaining these actions.

### Clear Key, "CE/C"

While in the number entry condition, one depression will clear the entry register to zero and recall the accumulator for display. The machine then leaves the number entry state.

If the error condition is displayed, one depression will clear the error, and all registers except the memory register. The machine could not be in the number entry condition with the error flag set.

If the error flag is not set and the machine is not in the number entry condition, one depression of "CE/C" key will clear the entry and accumulator registers. It also places the machine in the add mode and sets the terminate flag. The memory register remains unchanged.

### Number Keys 0-9

If *not* in the number entry condition, a number key will clear the display and then enter the value of the key into the LSD. The digits are displayed as they are entered and the machine assumes the number entry condition.

If in the number entry condition, the entry register is shifted left one position and the key depressed is entered into the LSD. If there is a number in the most significant digit position (9th) the entry register is then shifted right one position and the entry is lost.

### Square Root Key, $\sqrt{\quad}$

The square root key extracts the square root of the absolute value of the number being displayed in the entry register.

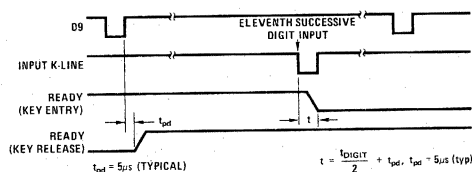


FIGURE 5. Ready Timing

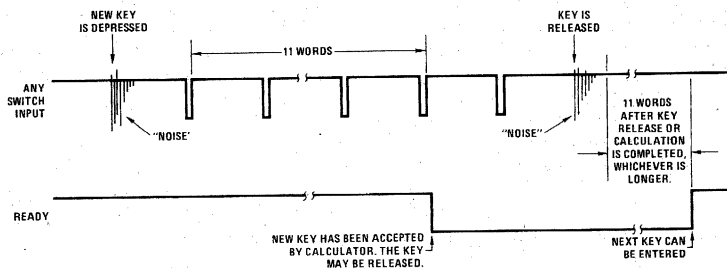


FIGURE 6. Functional Description of Ready Signal and Key Entry

The mode of the calculator remains unchanged. This enables square root operations in the middle of chain calculations. For example:

| KEY            | DISPLAY               | KEY            | DISPLAY     | KEY            | DISPLAY |
|----------------|-----------------------|----------------|-------------|----------------|---------|
| A              | A                     | A              | A           | 11             | 11      |
| $\sqrt{\quad}$ | $\sqrt{A}$            | X              | A           | +              | 11.     |
| +              | $\sqrt{A}$            | B              | B           | 5              | 5       |
| B              | B                     | $\sqrt{\quad}$ | $\sqrt{B}$  | =              | 16.     |
| $\sqrt{\quad}$ | $\sqrt{B}$            | =              | $A\sqrt{B}$ | $\sqrt{\quad}$ | 4.      |
| =              | $\sqrt{A} + \sqrt{B}$ |                |             | 6              | 6.      |
|                |                       |                |             | =              | 11      |
|                |                       |                |             | 9              | 9       |
|                |                       |                |             | $\sqrt{\quad}$ | 3.      |
|                |                       |                |             | =              | 8.      |

#### Square

Depression of the "Square" key copies the number being displayed into the accumulator register, and performs a multiplication. On completion of the square operation, the results are displayed in the entry register, the original number is stored in the accumulator and the mode of the calculator is unchanged. Entering a number to start a new entry will first clear the entry register.

#### Memory Plus Key, "M+"

When the "M+" key is depressed, the number being displayed is added to the contents of the memory and the results, providing there is no overflow, are placed in the memory. The calculator will be out of the data entry mode.

If an overflow occurs, the contents of the memory are *not* altered. The display shows the eight most significant digits and sign of the results with all nine decimal points.

#### Memory Minus Key, "M-"

This key operates like the "M+" key only the displayed number is subtracted from memory.

#### Plus, Minus, Multiply and Divide Keys, "+", "-", "x", "÷"

These keys terminate a number entry, complete the operation designated by the mode register and update the mode register for the next operation. A more detailed explanation of these keys is found in the description of modes.

#### Equal Key, "="

This key terminates a number entry, complete the operation designated by the mode register and sets the terminate flag.

#### Percent Key, "%"

Following a clear-all operation or a number entry preceded by a clear all operation, this key shifts the decimal point of the number being displayed two places to the left, copies it into the accumulating register and establishes the multiply mode.

While in multiply or divide mode, this key shifts the displayed decimal point two places to the left, completes the multiplication or division and sets the terminate flag.

In add or subtract mode, this key shifts the displayed decimal point two places to the left, multiplies the display times the accumulating register, places the product in the entry register and leaves the accumulator register and mode register undisturbed. This permits automatic calculation of net by depression of the "=" key. The terminate flag is not altered.

#### SAMPLE PROBLEMS

##### 1. Simple addition or subtraction

| KEYS  | DISPLAY  | COMMENTS                                       |
|-------|----------|--|
| C     | 0        |  |
| 3     | 3        | Start addition problem                         |
| +     | 3.       | Sets add mode                                  |
| 2     | 2        |  |
| +     | 5.       | Completes addition, sets add mode              |
| -     | 5.       | Sets subtraction mode                          |
| 4.355 | 4.3 5 5  |  |
| =     | 0.6 4 5  | Completes subtraction. Sets mode terminal      |
| +     | 0.6 4 5  | Sets mode terminal. Sets add mode, resets      |
| 3.25  | 3.2 5    | Starts Digit Entry                             |
| CS    | -3.2 5   | Changes Sign                                   |
| 4     | -3.2 5 4 | Continues Digit Entry                          |
| +     | -2.6 0 9 | Completes signed addition, sets add mode       |
| 1     | 1        |  |
| =     | -1.6 0 9 | Completes signed addition, sets terminate mode |

##### 2. Constant addition or subtraction (second factor constant)

| KEYS | DISPLAY | COMMENTS   |
|------|---------|--|
| 3    | 3       |  |
| -    | 3.      | Sets subtract mode   |
| 2    | 2       |  |
| +    | 1.      | Completes subtraction, sets Add mode                           |
| 6    | 6       |  |
| =    | 7.      | Completes addition, saves (6) as constant, sets terminate mode |
| .    |         |  |
| 5    | 5       |  |
| =    | 6.5     | Completes constant addition constant=6                         |
| 7    | 7       |  |
| -    | 7.      | Sets subtraction mode, resets terminate mode                   |

## 2. Constant addition or subtraction (second factor constant) (continued)

| KEYS    | DISPLAY | COMMENTS  |
|---------|---------|---|
| 3<br>=  | 3<br>4. | Completes subtraction, sets terminate mode, saves 3 as a constant |
| 8<br>EX | 8<br>3. | Exchanges entry, and constant                                     |
| =       | -5.     | Completes subtraction constant = .8                               |
| 9<br>=  | 9<br>1. | Completes subtraction constant = 8                                |

## 3. Simple multiplication

| KEYS   | DISPLAY   | COMMENTS                                      |
|--------|-----------|---|
| 3.1    | 3.1       | Start multiplication problem                  |
| X      | 3.1       | Sets multiply mode                            |
| 6<br>= | 6<br>18.6 | Completes multiplication, sets terminate mode |

## 4. Chain multiplication

| KEYS             | DISPLAY                | COMMENTS  |
|------------------|------------------------|---|
| 3<br>+<br>4<br>X | 3<br>3<br>4<br>7.      | Sets add mode   |
| 6<br>-<br>2<br>= | 6<br>4 2.<br>2<br>4 0. | Completes addition, sets multiply mode<br>Completes multiplication, sets subtract mode<br>Completes subtraction, sets terminate mode, saves 2 as constant |

## 5. Constant multiplication

| KEYS             | DISPLAY             | COMMENTS   |
|------------------|---------------------|--|
| 3<br>X<br>4<br>= | 3<br>3<br>4<br>1 2. | Sets multiply mode<br>Completes multiplication, saves '4' as constant, sets termination mode |

## 5. Constant multiplication (continued)

| KEYS         | DISPLAY         | COMMENTS   |
|--------------|-----------------|--|
| 6<br>=       | 6<br>2 4.       | Completes constant multiplication, constant = 4                                  |
| 3<br>-       | 3<br>3.         | Sets subtract mode, resets termination   |
| 4.5<br>X     | 4.5<br>-1.5     | Completes subtraction, sets multiply mode  |
| 8<br>CS<br>= | 8<br>-8<br>1 2. | Changes sign<br>Completes multiplication '-8' as constant, sets termination mode |
| EX           | -8.             | Exchanges entry register, and constant   |
| CS<br>3<br>= | 8.<br>3<br>3 6. | Completes constant multiplication constant = 12                                  |
| =            | 4 3 2.          | Completes constant multiplication constant = 12                                  |
| 3<br>X       | 3<br>3.         | Sets multiply mode, resets termination mode                                      |
| +            | 3.              | Sets add mode.   |
| -            | 3.              | Second function key only modifies mode   |
| X            | 3.              | Sets subtract mode   |
| =            | 9.              | Sets multiply mode<br>Completes multiplication. Sets termination mode            |

## 6. Simple division

| KEYS    | DISPLAY        | COMMENTS |
|---------|----------------|----------|
| 4<br>÷  | 4<br>4.        |          |
| 3<br>CS | 3<br>-3        |          |
| =       | -1.3 3 3 3 3 3 |          |

## 7. Chain division

| KEYS                              | DISPLAY  | COMMENTS |
|-----------------------------------|--|----------|
| 3<br>÷<br>8<br>+<br>2<br>X<br>3.1 | 3<br>3.<br>8<br>0.3 7 5<br>2<br>2.3 7 5<br>3.1 |          |



## 7. Chain division (continued)

| KEYS | DISPLAY   | COMMENTS |
|------|-----------|----------|
| ÷    | 7.3625    |          |
| 6    | 6         |          |
| =    | 1.2270833 |          |

## 8. Constant division

| KEYS  | DISPLAY    | COMMENTS |
|-------|------------|----------|
| 6     | 6          |          |
| ÷     | 6.         |          |
| 2     | 2          |          |
| =     | 3.         |          |
| =     | 1.5        |          |
| 15    | 15         |          |
| -     | 15.        |          |
| 2     | 2          |          |
| X     | 13.        |          |
| 8.3   | 8.3        |          |
| ÷     | 107.9      |          |
| 3     | 3          |          |
| CS    | -3         |          |
| EX    | 107.9      |          |
| =     | -0.2780352 |          |
| EX    | 107.9      |          |
| CS    | -107.9     |          |
| EX    | -0.2780352 |          |
| 608.7 | 608.7      |          |
| =     | -5.6413345 |          |

## 9. Add on and discount problems

| KEYS   | DISPLAY   | COMMENTS |
|--------|-----------|----------|
| 695.99 | 695.99    |          |
| -      | 695.99    |          |
| 20     | 20        |          |
| %      | 139.198   |          |
| =      | 556.792   |          |
| +      | 556.792   |          |
| 6      | 6         |          |
| %      | 33.40752  |          |
| =      | 590.19952 |          |
| 17.95  | 17.95     |          |
| -      | 17.95     |          |
| 15     | 15        |          |
| %      | 2.6925    |          |
| +      | 15.2575   |          |
| 6      | 6         |          |
| %      | 0.91545   |          |
| =      | 16.17295  |          |

## 10. Percent in multiplication and division

| KEYS | DISPLAY | COMMENTS |
|------|---------|----------|
| 308  | 308     |          |
| X    | 308.    |          |
| 5    | 5       |          |
| %    | 15.4    |          |

## 10. Percent in multiplication and division (continued)

| KEYS | DISPLAY | COMMENTS |
|------|---------|----------|
| 500  | 500     |          |
| ÷    | 500.    |          |
| 4    | 4       |          |
| %    | 12500.  |          |

## 11. Memory operations

| KEYS  | DISPLAY | COMMENTS   |
|-------|---------|--|
| 6     | 6       |  |
| M+    | 6.      | Memory indicator is activated                        |
| 3     | 3       |  |
| +     | 3.      |  |
| 2     | 2       |  |
| M-    | 2.      |  |
| =     | 5.      |  |
| MR    | 4.      |  |
| 3.678 | 3.678   |  |
| CS    | -3.678  |  |
| M+    | -3.678  |  |
| X     | -3.678  |  |
| 5     | 5       |  |
| M-    | 5.      |  |
| =     | -18.39  |  |
| MR    | -4.678  |  |
| 5     | 5       |  |
| MS    | 5.      |  |
| 3     | 3       |  |
| X     | 3.      |  |
| 4     | 4       |  |
| X     | 12.     |  |
| MR    | 5.      |  |
| =     | 60.     |  |
| 0     | 0       |  |
| MS    | 0.      | Memory indicator turned off when contents equal zero |

## 12. Square root problems

| KEYS | DISPLAY   | COMMENTS |
|------|-----------|----------|
| 3    | 3         |          |
| √    | 1.7320508 |          |
| +    | 1.7320508 |          |
| 4    | 4         |          |
| √    | 2.        |          |
| =    | 3.7320508 |          |
| 7    | 7         |          |
| +    | 7.        |          |
| 8    | 8         |          |
| =    | 15.       |          |
| √    | 3.8729833 |          |

## 13. Square problems

| KEYS           | DISPLAY | COMMENTS |
|----------------|---------|----------|
| 72             | 72      |          |
| X <sup>2</sup> | 5184.   |          |



## MM5794 seven-function, accumulating memory, vacuum fluorescent display calculator

### general description

The single-chip MM5794 offers a seven-function, accumulating memory MOS/LSI calculator device capable of directly driving 8-digit vacuum-fluorescent displays. A complete calculator as shown in *Figure 1* requires only the MM5794, a keyboard, vacuum fluorescent display and an appropriate power supply.

Keyboard decoding and key debounce circuitry, all clocks and timing generation, power-on clear and 7-segment output display decoding are included on-chip and require no external components. Segments and digits can be driven directly from the MM5794. The left-most, or 9th digit is used to indicate memory in use or the negative sign of an eight digit number.

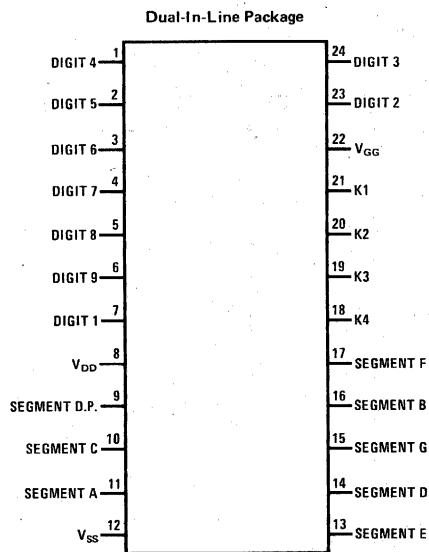
Leading zero suppression and a floating negative sign allow convenient reading of the display and conserves power. Typical current drain of a complete calculator displaying five "5's" is 30 mA.

### features

- Full 8-digit capacity
- 7-functions (+, -, x, ÷, x<sup>2</sup>, √x, %)
- Convenient algebraic notation
- Fully protected accumulating memory (M+, M-)
- Automatic constant independent of memory
- Floating decimal input and output format
- Power-on clear\*
- On-chip oscillator\*
- Low system cost
- Direct segment and digit drive of fluorescent displays
- Memory in-use indicator

\*Requires no external components.

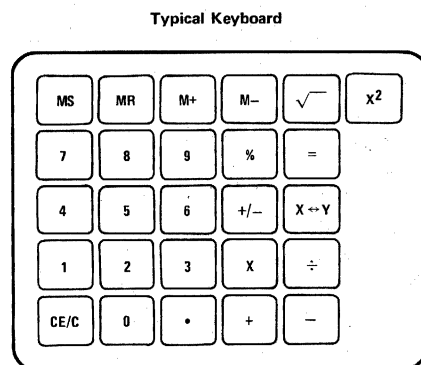
### connection diagram



TOP VIEW

Order Number MM5794N  
See Package 22

### keyboard outline



**absolute maximum ratings**

Voltage at Any Pin Relative to  $V_{SS}$  Except  $V_{GG}$  (All Other Pins Connected to  $V_{SS}$ )  $V_{SS} + 0.3V$  to  $V_{SS} - 12V$

Voltage at  $V_{GG}$  Relative to  $V_{SS}$   $V_{SS} + 0.3V$  to  $V_{SS} - 35V$

Ambient Operating Temperature  $0^{\circ}C$  to  $+70^{\circ}C$

Ambient Storage Temperature  $-55^{\circ}C$  to  $+150^{\circ}C$

Lead Temperature (Soldering, 10 seconds)  $300^{\circ}C$

**operating conditions**

$6.5 \leq V_{SS} - V_{DD} \leq 9.8V$   
 $V_{SS} - V_{GG} \leq 32V$

**dc electrical characteristics**

| PARAMETER                          | CONDITIONS  | MIN            | TYP | MAX           | UNITS   |
|------------------------------------|---|----------------|-----|---------------|---------|
| Operating Supply Current           |   |                |     |               |         |
| $I_{DD}$                           | $V_{DD} = V_{SS} - 9.5V, T_A = 25^{\circ}C$   |                | 8   | 15            | mA      |
| $I_{GG}$                           | $V_{GG} = V_{SS} - 32V$   |                | 500 |               | $\mu A$ |
| Keyboard Scan Input Levels (K1-K4) |   |                |     |               |         |
| Logical High Level ( $V_{IH}$ )    |   | $V_{SS} - 7.0$ |     | $V_{SS}$      | V       |
| Logical Low Level ( $V_{IL}$ )     |   | $V_{GG}$       |     | $V_{SS} - 22$ | V       |
| Source Current, (Segments)         | $T_A = 25^{\circ}C$   |                |     |               |         |
| $I_{OH}$                           | $V_{OUT} = V_{SS} - 4V, V_{DD} = V_{SS} - 6.5V$   |                |     | -0.6          | mA      |
| $I_{OL}$                           | $V_{OUT} = V_{SS} - 35V$  |                |     | 10            | $\mu A$ |
| Digit Outputs                      |   |                |     |               |         |
| Logical High Level                 | $V_{GG} = V_{SS} - 32V, V_{OUT} = V_{SS} - 5.0V$  |                |     | -3.5          | mA      |
| Logical Low Level                  | $V_{GG} = V_{SS} - 25V, V_{OUT} = V_{SS} - 5.0V$<br>$V_{DD} = V_{SS} - 9.5V, V_{OUT} = V_{GG} = V_{SS} - 35V$ |                |     | -2.2          | mA      |
|                                    |   |                |     | 10            | $\mu A$ |

**ac electrical characteristics**

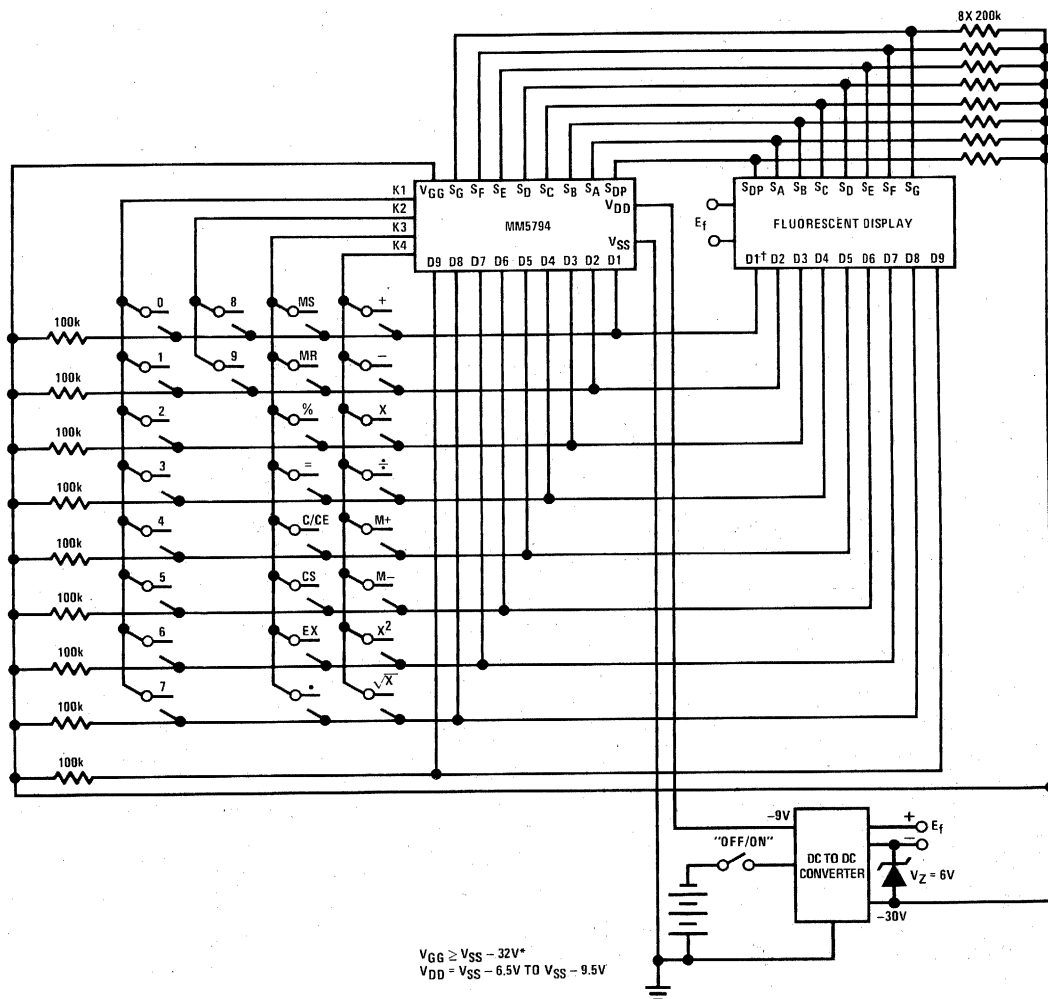
| PARAMETER  | CONDITIONS   | MIN  | TYP | MAX  | UNITS      |
|--|--|------|-----|------|------------|
| Word Time  | (Figure 2)   | 0.53 |     | 3.3  | ms         |
| Digit Time   | (Figure 2)   | 58   |     | 367  | $\mu s$    |
| Interdigit Blanking Time (Segment and Digit Outputs)   | (Figure 2)   | 14.5 | 20  |      | $\mu s$    |
| Digit Transition Times   | $\left\{ \begin{array}{l} 100k \text{ Resistor to } V_{GG} \\ V_{DD} = V_{SS} - 6.5V \\ C_{LOAD} = 100 \text{ pF} \end{array} \right.$ |      | 20  |      | $\mu s$    |
| High to Low  |  |      |     | 4    | $\mu s$    |
| Low to High  |  |      |     |      | $\mu s$    |
| Ready Transition Times   |  |      |     |      |            |
| High to Low  | $V_{DD} = V_{SS} - 6.5$  |      | 5   | 20   | $\mu s$    |
| Low to High  | $C_{LOAD} = 50 \text{ pF}$   |      | 2.0 | 4.0  | $\mu s$    |
| Keyboard Scan Inputs Transition Times  |  |      |     |      |            |
| High to Low (After Key Release)  | $\left\{ \begin{array}{l} V_{GG} = V_{SS} - 35 \\ C_{LOAD} = 50 \text{ pF} \\ C_{LOAD} = 100 \text{ pF} \end{array} \right.$           |      |     | 100  | $\mu s$    |
| Low to High (After Key Release)  |  |      |     | 4    | $\mu s$    |
| Key Bounce-Out Stability Time  |  | 6.36 |     | 39.6 | ms         |
| (The time a keyboard scan input must be continuously lower than the maximum logical low level to be accepted as a key closure, or higher than the minimum logical high level to be accepted as a key release.) |  |      |     |      |            |
| Worst Case Calculation Time  |  |      |     | 200  | word times |

## FUNCTIONAL DESCRIPTION

The MM5794 is a calculator chip which contains four data registers: (1) entry, (2) accumulator, (3) working and (4) memory, each consisting of 8 digits, sign, and decimal point. The entry register is always displayed. It contains digit entries from the keyboard, and results of all functions except M+ and M-. The accumulator is used in all arithmetic functions and stores a copy of the entry register on all results. This allows another number to be entered without losing an intermediate result. Multiply and divide require three registers to perform the function

and save the divisor, or multiplier. The working register is provided to perform these functions in conjunction with the entry and accumulator registers.

The memory register is used only to store a number to be used later. It is fully protected during all operations, and is only modified by depressing a "MS," "M+," or "M-" key. Power on clears all of the registers including the memory register.



\*V<sub>SS</sub> - V<sub>DD</sub> must be as specified in this data sheet (6.5-9.5) but V<sub>SS</sub> - V<sub>GG</sub>, E<sub>f</sub> and V<sub>Z</sub> are determined by the fluorescent display specifications.

†D1 is the right-most display digit, also see Figure 2.

FIGURE 1. Complete Calculator Schematic

The MM5794 performs the "+," "-", "x" and "÷" functions using algebraic notation. This requires the use of a mode register and a terminate flag. The mode register directs the machine to the proper function (add, subtract, multiply or divide) with each new key entry. After the function has been performed, the key entered is used to modify the mode register.

If the terminate flag is set, a "+," "-", "x" or "÷" key signals the beginning of a new problem. The number being displayed is copied into the accumulator register and the mode register assumes the mode of the key entered. The terminate flag is always reset by the "+," "-", "x" and "÷" keys.

The terminate flag is set on "=" and sometimes on "% and "C/CE." This signifies the end of the problem. The MM5794 allows for full floating entries and results.

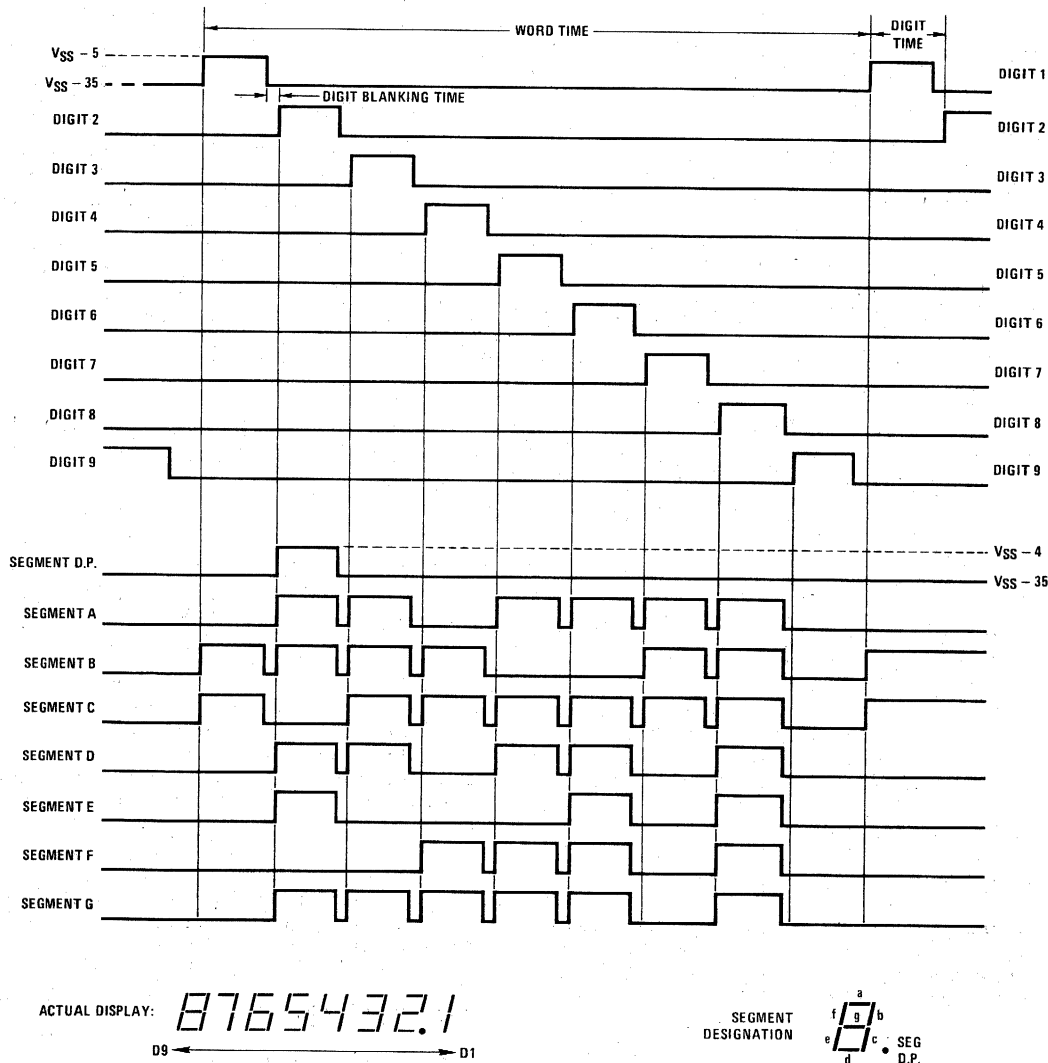


FIGURE 2. Display Timing

## OPERATION IN THE ADD AND SUBTRACT MODE

If the terminate flag is set, an "=" key will result in a constant add/subtract. The number in the accumulator will be added to (or subtracted from) the number being displayed. The result is right-justified and displayed in the entry register. Accumulator and mode registers are not altered, allowing for constant operations.

If the terminate flag is not set and a number has been entered from the keyboard, or memory register, a "+," "-", "x" or "÷" key will result in an addition or subtraction. The entry register will be added to or subtracted from the accumulator and the new running total will be displayed in the entry register and copied into the accumulator register. The mode will be altered according to which key is entered.

If the terminate flag is not set, and a number has not been entered from the keyboard, or memory, a "+," "-", "x" or "÷" key will only change the mode register to the new key entry.

If the terminate flag is not set, an "=" key will add/subtract the number being displayed to/from the number in the accumulator register. The number being displayed is transferred to the accumulator, and the result of the operation is displayed in the entry register. The terminate flag is set, conditioning the calculator for constant, add/subtract operation. The number being displayed previous to the "=" key is stored in the accumulator as the constant.

Operation of the "%" key in add/subtract mode, with the terminate flag reset, will multiply the accumulator by the last entry, divide the result by 100, and display it in the entry register. The mode register remains as it was in the add or subtract mode. All of the above is required to perform the percent add on or discount problems. Depression of an "=" key after the "%" key will either tax or discount the original number as a function of the mode register and the last entry.

Operation of the "%" key in add/subtract mode, with the terminate flag set, will shift the decimal point of the number being displayed two places to the left and copy it into the accumulator register. The mode is set to multiply and the terminate flag remains set.

## OPERATION IN THE MULTIPLY MODE

If the terminate flag is set, an "=" key will result in a constant multiply operation. The number being displayed is multiplied by the constant stored in the accumulator register. The result is displayed in the entry register and the accumulator and mode registers are not altered, allowing for constant operation. Repeated depressions of the "=" key can be used to raise a number to an integer power, i.e., "C/CE," "C/CE," "5.2," "x," "=", "=," "=," computes  $5.2^4$ .

The constant in multiplication, as well as in addition, subtraction and division is the last number entered. For the sequence: "C/CE," "C/CE," "3," "÷," "4," "x," "2," "=" the constant multiplier for future problems is 2.

If the terminate flag is not set, an "=" key will signal the end of a problem. The number in the display will be multiplied by the contents of the accumulator, and the results will be displayed in the entry register. The number previously in the entry register is stored in the accumulator register and the terminate flag is set.

If the terminate flag is not set, and a number has been entered from the keyboard or memory register, a "+," "-", "x" or "÷" key will result in a multiplication. The number being displayed will be multiplied by the number residing in the accumulator register. The result will be copied into the accumulator and displayed in the entry register. The mode register is up-dated as a function of the key depressed.

Operation of the "%" key while in multiply mode looks exactly the same as an "=" key except the decimal point of the display is shifted two positions to the left before the multiplication takes place.

## OPERATION IN THE DIVIDE MODE

If the terminate flag is set, an "=" key will result in constant divide operation. The number being displayed is divided by the constant stored in the accumulator register. The accumulator and mode registers are not altered allowing for constant operations. Repeated depressions of the "=" key will result in repeated divisions by the constant. Thus, it is possible to raise a number to a negative integer power using the sequence: "C/CE," "C/CE," "1," "÷," "No.," "=", "÷," etc.

If the terminate flag is not set, an "=" key will signal the end of a problem. The number in the accumulator register will be divided by the number being displayed. The result is transferred to the entry register and displayed. The terminate flag is set and the divisor is stored in the accumulator register.

If the terminate flag is not set, a "+," "-", "x" or "÷" key will result in a division. The number in the accumulator register will be divided by the number being displayed. The results are displayed in the entry register, and a copy of the result is stored in the accumulator. The mode register is modified to reflect the latest key entry.

Operation of the "%" key while in divide mode looks exactly the same as the "=" key except the decimal point of the display is shifted two positions to the left before division takes place.

## ERROR CONDITIONS

If any of the operations mentioned above generates a number larger than 9999 9999, an error will occur. An error is indicated by displaying the eight most significant digits and sign with all nine decimal points. The first depression of the "C/CE" key will clear the error condition, and all registers except the memory register.

It is not possible to generate an error during number entry. The ninth and subsequent digits entered are ignored.

### POWER-ON CONDITION

The MM5794 has an internal power-on clear circuit which clears all registers to zero, places the mode to add and sets the terminate flag. A zero and decimal point are displayed.

### KEYBOARD BOUNCE AND NOISE REJECTION

The MM5794 is designed to interface with most low cost keyboards, which are often the least desirable from a false or multiple entry standpoint.

A key closure is sensed by the calculator chip when one of the key inputs, K1, K2, K3 or K4 is forced more positive than the Logical High Level specified in the electrical specifications. An internal counter is started as a result of the closure. The key operation begins after eleven word times if the Key Input is still at a Logical High Level. As long as the key is held down (and the Key Input remains high) no further entry is allowed. When the Key Input changes to a Logical Low Level, the internal counter starts an eleven word timeout for key release. During both, entry and release timeouts, the Key Inputs are sampled every word time for valid levels. If they are found invalid, the counter is reset and the calculator resumes scanning the keyboard.

### TEST FEATURES

Several features have been designed into the MM5794 to facilitate testing. One is to allow the key debounce timing to be modified, and the second performs a "segment test" function which turns on all segments for all digit times, with no interdigit blanking. The key bounce time can be reduced from eleven word times to one if a key closure is made between D9 and K2. "Segment Test" occurs when K3 is connected to D9. Closures for test operations are not debounced, and also may occur simultaneously with normal key closures if diodes are used to isolate the D-Lines from each other. The test features are active for every word time the Test switch closure is maintained. These test matrix entries are isolated internally from the normal calculator keys, allowing simultaneous entry of "test" keys and "calculator" keys, except for K3 keys during "Segment Test."

### FUNCTION OF KEYS

Some of the keys operate differently when in the data or number entry condition. The MM5794 switches to entry condition when entering numbers and leaves this condition after most function keys. The following paragraphs discuss each of the keys on a full keyboard and the action taken when they are depressed. The earlier paragraphs which discussed the action of "+", "-", "x", "÷" and "%" keys and the examples given in later sections will aid in further explaining these actions.

#### Clear Key, "CE/C"

While in the number entry condition, one depression will clear the entry register to zero and recall the accumulator for display. The machine then leaves the number entry state.

If the error condition is displayed, one depression will clear the error, and all registers except the memory register. The machine could not be in the number entry condition with the error flag set.

If the error flag is not set and the machine is not in the number entry condition, one depression of "CE/C" key will clear the entry and accumulator registers. It also places the machine in the add mode and sets the terminate flag. The memory register remains unchanged.

#### Number Keys 0-9

If *not* in the number entry condition, a number key will clear the display and then enter the value of the key into the LSD. The digits are displayed as they are entered and the machine assumes the number entry condition.

If in the number entry condition, the entry register is shifted left one position and the key depressed is entered into the LSD. If there is a number in the most significant digit position (9th) the entry register is then shifted right one position and the entry is lost.

#### Square Root Key, " $\sqrt{\quad}$ "

The square root key extracts the square root of the absolute value of the number being displayed in the entry register.

The mode of the calculator remains unchanged. This enables square root operations in the middle of chain calculations. For example:

| KEY            | DISPLAY               | KEY            | DISPLAY     | KEY            | DISPLAY |
|----------------|-----------------------|----------------|-------------|----------------|---------|
| A              | A                     | A              | A           | 11             | 11      |
| $\sqrt{\quad}$ | $\sqrt{A}$            | X              | A           | +              | 11.     |
| +              | $\sqrt{A}$            | B              | B           | 5              | 5       |
| B              | B                     | $\sqrt{\quad}$ | $\sqrt{B}$  | =              | 16.     |
| $\sqrt{\quad}$ | $\sqrt{B}$            | =              | $A\sqrt{B}$ | $\sqrt{\quad}$ | 4.      |
| =              | $\sqrt{A + \sqrt{B}}$ |                |             | 6              | 6.      |
|                |                       |                |             | =              | 11      |
|                |                       |                |             | 9              | 9       |
|                |                       |                |             | $\sqrt{\quad}$ | 3.      |
|                |                       |                |             | =              | 8.      |

#### Square Key, " $x^2$ "

Depression of the "Square" key copies the number being displayed into the accumulator register, and performs a multiplication. On completion of the square operation, the results are displayed in the entry register, the original number is stored in the accumulator and the mode of the calculator is unchanged. Entering a number to start a new entry will first clear the entry register.

#### Memory Save Key, "MS"

The "MS" key transfers the number being displayed to the memory register. The display remains unaltered.

#### Memory Recall Key, "MR"

The "MR" key recalls the number being stored in the memory register and displays it in the entry register. This number can then be used as a new number entry.

**Memory Store Key, "MS"**

The "MS" key transfers the number being displayed in the entry register to the memory register. The arithmetic status of the calculator is not changed.

**Memory Plus Key, "M+"**

When the "M+" key is depressed, the number being displayed is added to the contents of the memory and the results, providing there is no overflow, are placed in the memory. The calculator will be out of the data entry mode.

If an overflow occurs, the contents of the memory are *not* altered. The display shows the eight most significant digits and sign of the results with all nine decimal points.

**Memory Minus Key, "M-"**

This key operates like the "M+" key only the displayed number is subtracted from memory.

**Plus, Minus, Multiply and Divide Keys, "+", "-", "x", "÷"**

These keys terminate a number entry, complete the operation designated by the mode register and update the mode register for the next operation. A more detailed explanation of these keys is found in the description of modes.

**Equal Key, "="**

This key terminates a number entry, complete the operation designated by the mode register and sets the terminate flag.

**Percent Key, "%"**

Following a clear-all operation or a number entry proceeded by a clear all operation, this key shifts the decimal point of the number being displayed two places to the left, copies it into the accumulating register and establishes the multiply mode.

While in multiply or divide mode, this key shifts the displayed decimal point two places to the left, completes the multiplication or division and sets the terminate flag.

In add or subtract mode, this key shifts the displayed decimal point two places to the left, multiplies the display times the accumulating register, places the product in the entry register and leaves the accumulator register and mode register undisturbed. This permits automatic calculation of net by depression of the "=" key. The terminate flag is not altered.

**SAMPLE PROBLEMS**

1. Simple addition or subtraction

| KEYS | DISPLAY | COMMENTS               |
|------|---------|------------------------|
| C/CE | 0       |                        |
| 3    | 3       | Start addition problem |

1. Simple addition or subtraction (continued)

| KEYS  | DISPLAY  | COMMENTS                                       |
|-------|----------|--|
| +     | 3.       | Sets add mode                                  |
| 2     | 2        |  |
| +     | 5.       | Completes addition, resets add mode            |
| -     | 5.       | Sets subtraction mode                          |
| 4.355 | 4.3 5 5  |  |
| =     | 0.6 4 5  | Completes subtraction. Sets terminate mode.    |
| +     | 0.6 4 5  | Sets add mode                                  |
| 3.25  | 3.2 5    | Starts Digit Entry                             |
| CS    | -3.2 5   | Changes Sign                                   |
| 4     | -3.2 5 4 | Continues Digit Entry                          |
| +     | -2.6 0 9 | Completes signed addition, sets add mode       |
| 1     | 1        |  |
| =     | -1.6 0 9 | Completes signed addition, sets terminate mode |

2. Constant addition or subtraction (second factor constant)

| KEYS | DISPLAY | COMMENTS  |
|------|---------|---|
| 3    | 3       |   |
| -    | 3.      | Sets subtract mode  |
| 2    | 2       |   |
| +    | 1.      | Completes subtraction, sets add mode                              |
| 6    | 6       |   |
| =    | 7.      | Completes addition, saves (6) as constant, sets terminate mode    |
| .5   | .5      |   |
| =    | 6.5     | Completes constant addition constant = 6                          |
| 7    | 7       |   |
| -    | 7.      | Sets subtraction mode, resets terminate mode                      |
| 3    | 3       |   |
| =    | 4.      | Completes subtraction, sets terminate mode, saves 3 as a constant |
| 8    | 8       |   |
| EX   | 3.      | Exchanges entry, and constant                                     |
| =    | -5.     | Completes subtraction constant = .8                               |
| 9    | 9       |   |
| =    | 1.      | Completes subtraction constant = 8                                |

3. Simple multiplication

| KEYS | DISPLAY | COMMENTS                     |
|------|---------|------------------------------|
| 3.1  | 3.1     | Start multiplication problem |



## 3. Simple multiplication (continued)

| KEYS | DISPLAY | COMMENTS                                      |
|------|---------|---|
| X    | 3.1     | Sets multiply mode                            |
| 6    | 6       |   |
| =    | 18.6    | Completes multiplication, sets terminate mode |

## 4. Chain multiplication

| KEYS | DISPLAY | COMMENTS  |
|------|---------|---|
| 3    | 3       |   |
| +    | 3       | Sets add mode   |
| 4    | 4       |   |
| X    | 7.      | Completes addition, sets multiply mode                          |
| 6    | 6       |   |
| -    | 4.2.    | Completes multiplication, sets subtract mode                    |
| 2    | 2       |   |
| =    | 40.     | Completes subtraction, sets terminate mode, saves 2 as constant |

## 5. Constant multiplication

| KEYS | DISPLAY | COMMENTS   |
|------|---------|--|
| 3    | 3       |  |
| X    | 3.      | Sets multiply mode   |
| 4    | 4       |  |
| =    | 12.     | Completes multiplication, saves '4' as constant, sets termination mode |
| 6    | 6       |  |
| =    | 24.     | Completes constant multiplication, constant = 4                        |
| 3    | 3       |  |
| -    | 3.      | Sets subtract mode, resets termination                                 |
| 4.5  | 4.5     |  |
| X    | -1.5    | Completes subtraction, sets multiply mode                              |
| 8    | 8       |  |
| CS   | -8      | Changes sign   |
| =    | 12.     | Completes multiplication '-8' as constant, sets termination mode       |
| EX   | -8.     | Exchanges entry register, and constant                                 |
| CS   | 8.      |  |
| 3    | 3       |  |
| =    | 36.     | Completes constant multiplication constant = 12                        |

## 5. Constant multiplication (continued)

| KEYS | DISPLAY | COMMENTS  |
|------|---------|---|
| =    | 432.    | Completes constant multiplication constant = 12       |
| 3    | 3       |   |
| X    | 3.      | Sets multiply mode, resets termination mode           |
| +    | 3.      | Sets add mode. Second function key only modifies mode |
| -    | 3.      | Sets subtract mode                                    |
| X    | 3.      | Sets multiply mode                                    |
| =    | 9.      | Completes multiplication. Sets termination mode       |

## 6. Simple division

| KEYS | DISPLAY    | COMMENTS |
|------|------------|----------|
| 4    | 4          |          |
| ÷    | 4.         |          |
| 3    | 3          |          |
| CS   | -3         |          |
| =    | -1.3333333 |          |

## 7. Chain division

| KEYS | DISPLAY   | COMMENTS |
|------|-----------|----------|
| 3    | 3         |          |
| ÷    | 3.        |          |
| 8    | 8         |          |
| +    | 0.375     |          |
| 2    | 2         |          |
| X    | 2.375     |          |
| 3.1  | 3.1       |          |
| ÷    | 7.3625    |          |
| 6    | 6         |          |
| =    | 1.2270833 |          |

## 8. Constant division

| KEYS | DISPLAY | COMMENTS |
|------|---------|----------|
| 6    | 6       |          |
| ÷    | 6.      |          |
| 2    | 2       |          |
| =    | 3.      |          |
| =    | 1.5     |          |
| 15   | 15      |          |
| -    | 15.     |          |
| 2    | 2       |          |
| X    | 13.     |          |
| 8.3  | 8.3     |          |
| ÷    | 107.9   |          |
| 3    | 3       |          |
| CS   | -3      |          |
| EX   | 107.9   |          |

## 8. Constant division (continued)

| KEYS  | DISPLAY    | COMMENTS |
|-------|------------|----------|
| =     | -0.2780352 |          |
| EX    | 107.9      |          |
| CS    | -107.9     |          |
| EX    | -0.2780352 |          |
| 608.7 | 608.7      |          |
| =     | -5.6413345 |          |

## 9. Add on and discount problems

| KEYS   | DISPLAY   | COMMENTS |
|--------|-----------|----------|
| 695.99 | 695.99    |          |
| -      | 695.99    |          |
| 20     | 20        |          |
| %      | 139.198   |          |
| =      | 556.792   |          |
| +      | 556.792   |          |
| 6      | 6         |          |
| %      | 33.40752  |          |
| =      | 590.19952 |          |
| 17.95  | 17.95     |          |
| -      | 17.95     |          |
| 15     | 15        |          |
| %      | 2.6925    |          |
| +      | 15.2575   |          |
| 6      | 6         |          |
| %      | 0.91545   |          |
| =      | 16.17295  |          |

## 10. Percent in multiplication and division

| KEYS | DISPLAY | COMMENTS |
|------|---------|----------|
| 308  | 308     |          |
| X    | 308     |          |
| 5    | 5       |          |
| %    | 15.4    |          |
| 500  | 500     |          |
| ÷    | 500     |          |
| 4    | 4       |          |
| %    | 12500.  |          |

## 11. Memory operations

| KEYS | DISPLAY | COMMENTS   |
|------|---------|--|
| 6    | 6       |  |
| M+   | 6.      | Memory indicator is activated in left-most digit |

## 11. Memory operations (continued)

| KEYS  | DISPLAY | COMMENTS |
|-------|---------|----------|
| 3     | 3       |          |
| +     | 3.      |          |
| 2     | 2       |          |
| M-    | 2.      |          |
| =     | 5.      |          |
| MR    | 4.      |          |
| 3.678 | 3.678   |          |
| CS    | -3.678  |          |
| M+    | -3.678  |          |
| X     | -3.678  |          |
| 5     | 5       |          |
| M-    | 5.      |          |
| =     | -18.39  |          |
| MR    | -4.678  |          |
| 5     | 5       |          |
| MS    | 5.      |          |
| 3     | 3       |          |
| X     | 3.      |          |
| 4     | 4       |          |
| X     | 12.     |          |
| MR    | 5.      |          |
| =     | 60.     |          |
| 0     | 0       |          |
| MS    | 0.      |          |

Memory indicator turned off when contents equal zero

## 12. Square root problems

| KEYS | DISPLAY   | COMMENTS |
|------|-----------|----------|
| 3    | 3         |          |
| √    | 1.7320508 |          |
| +    | 1.7320508 |          |
| 4    | 4         |          |
| √    | 2.        |          |
| =    | 3.7320508 |          |
| 7    | 7         |          |
| +    | 7.        |          |
| 8    | 8         |          |
| =    | 15.       |          |
| √    | 3.8729833 |          |

## 13. Square problems

| KEYS           | DISPLAY | COMMENTS |
|----------------|---------|----------|
| 72             | 72      |          |
| X <sup>2</sup> | 5184.   |          |



## MM5795 seven-function, accumulating memory, vacuum fluorescent display calculator circuit

### general description

The single-chip MM5795 offers a seven-function, accumulating memory MOS/LSI calculator device capable of directly driving 8-digit vacuum-fluorescent displays. A complete calculator as shown in *Figure 1* requires only the MM5795, a keyboard, vacuum fluorescent display and an appropriate power supply.

Keyboard decoding and key debounce circuitry, all clocks and timing generation, power-on clear and 7-segment output display decoding are included on-chip and require no external components. Segments and digits can be driven directly from the MM5795. The left-most, or 9th digit is used to indicate memory in use or the negative sign of an eight digit number.

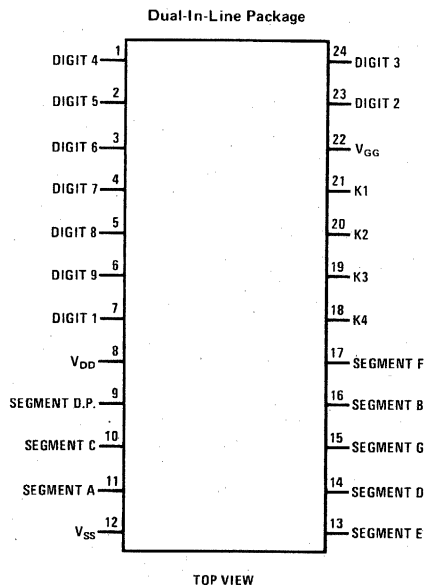
Leading zero suppression and a floating negative sign allow convenient reading of the display and conserves power. Typical current drain of a complete calculator displaying five "5's" is 30 mA.

### features

- Full 8-digit capacity
- 7-functions (+, -, x, ÷, x<sup>2</sup>, √x, %)
- Convenient algebraic notation
- Fully protected accumulating memory (M+, M-)
- Automatic constant independent of memory
- Floating decimal input and output format
- Power-on clear\*
- On-chip oscillator\*
- Low system cost
- Direct segment and digit drive of fluorescent displays
- Memory in-use indicator

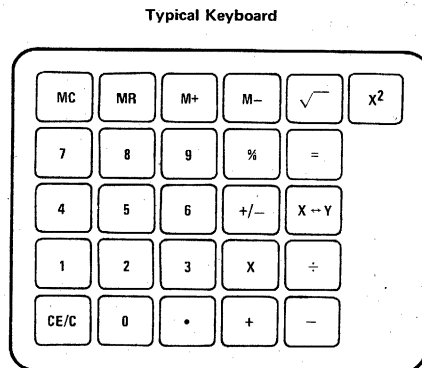
\*Requires no external components.

### connection diagram



Order Number MM5795N  
See Package 22

### keyboard outline



**absolute maximum ratings**

Voltage at Any Pin Relative to

 $V_{SS}$  Except  $V_{GG}$  (All OtherPins Connected to  $V_{SS}$ )  $V_{SS} + 0.3V$  to  $V_{SS} - 12V$ Voltage at  $V_{GG}$  Relativeto  $V_{SS}$   $V_{SS} + 0.3V$  to  $V_{SS} - 35V$ Ambient Operating Temperature  $0^{\circ}C$  to  $+70^{\circ}C$ Ambient Storage Temperature  $-55^{\circ}C$  to  $+150^{\circ}C$ Lead Temperature (Soldering, 10 seconds)  $300^{\circ}C$ **operating conditions** $6.5 \leq V_{SS} - V_{DD} \leq 9.8V$  $V_{SS} - V_{GG} \leq 32V$ **dc electrical characteristics**

| PARAMETER                             | CONDITIONS  | MIN            | TYP | MAX           | UNITS   |
|---------------------------------------|---|----------------|-----|---------------|---------|
| Operating Supply Current              |   |                |     |               |         |
| $I_{DD}$                              | $V_{DD} = V_{SS} - 9.5V, T_A = 25^{\circ}C$               |                | 8   | 15            | mA      |
| $I_{GG}$                              | $V_{GG} = V_{SS} - 32V$                                   |                | 500 |               | $\mu A$ |
| Keyboard Scan Input Levels<br>(K1–K4) |   |                |     |               |         |
| Logical High Level ( $V_{IH}$ )       |   | $V_{SS} - 7.0$ |     | $V_{SS}$      | V       |
| Logical Low Level ( $V_{IL}$ )        |   | $V_{GG}$       |     | $V_{SS} - 22$ | V       |
| Source Current, (Segments)            | $T_A = 25^{\circ}C$                                       |                |     |               |         |
| $I_{OH}$                              | $V_{OUT} = V_{SS} - 4V, V_{DD} = V_{SS} - 6.5V$           |                |     | -0.6          | mA      |
| $I_{OL}$                              | $V_{OUT} = V_{SS} - 35V$                                  |                |     | 10            | $\mu A$ |
| Digit Outputs                         |   |                |     |               |         |
| Logical High Level                    | $V_{GG} = V_{SS} - 32V, V_{OUT} = V_{SS} - 5.0V$          |                |     | -3.5          | mA      |
| Logical Low Level                     | $V_{GG} = V_{SS} - 25V, V_{OUT} = V_{SS} - 5.0V$          |                |     | -2.2          | mA      |
|                                       | $V_{DD} = V_{SS} - 9.5V, V_{OUT} = V_{GG} = V_{SS} - 35V$ |                |     | 10            | $\mu A$ |

**ac electrical characteristics**

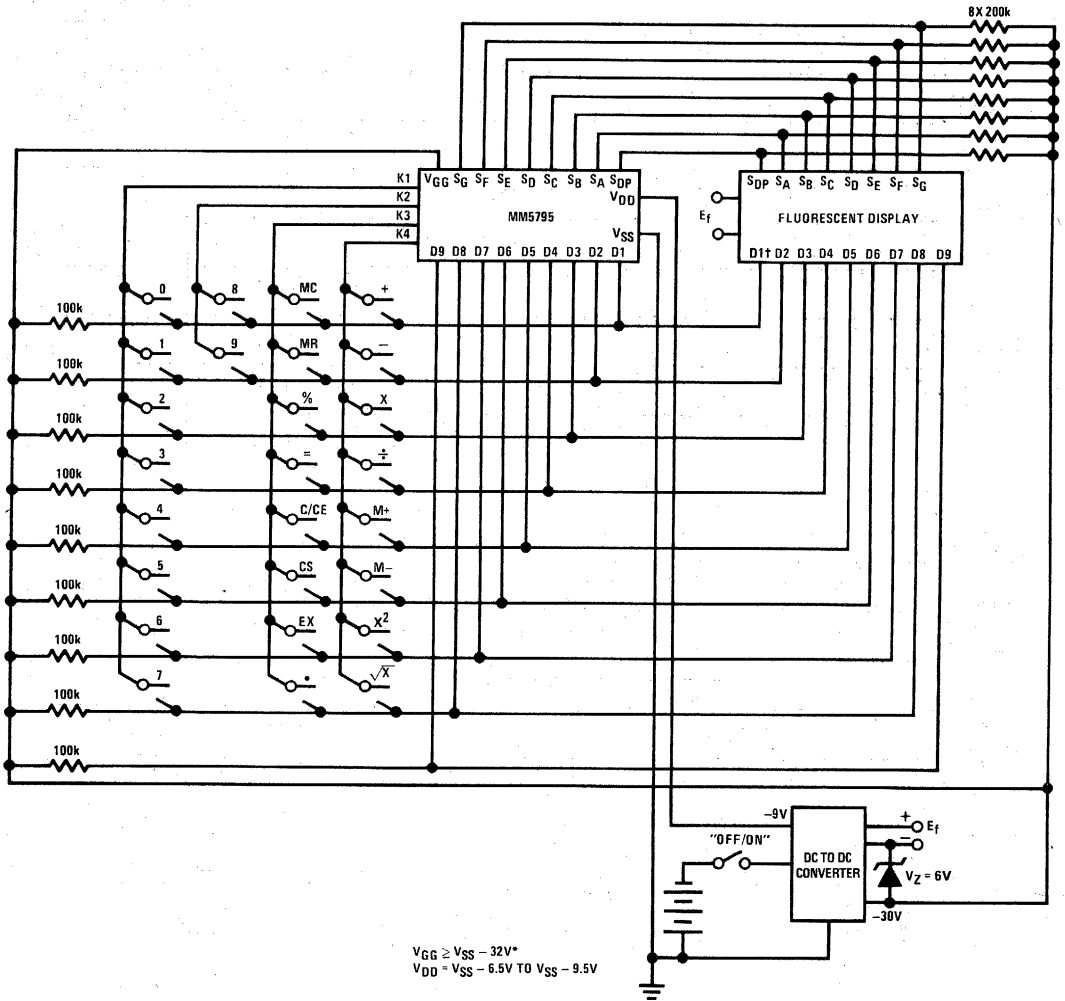
| PARAMETER  | CONDITIONS   | MIN  | TYP | MAX  | UNITS      |
|--|--|------|-----|------|------------|
| Word Time  | (Figure 2)   | 0.53 |     | 3.3  | ms         |
| Digit Time   | (Figure 2)   | 58   |     | 367  | $\mu s$    |
| Interdigit Blanking Time<br>(Segment and Digit Outputs)  | (Figure 2)   | 14.5 | 20  |      | $\mu s$    |
| Digit Transition Times   | $\left\{ \begin{array}{l} 100k \text{ Resistor to } V_{GG} \\ V_{DD} = V_{SS} - 6.5V \\ C_{LOAD} = 100 \text{ pF} \end{array} \right.$ |      | 20  |      | $\mu s$    |
| High to Low  |  |      |     | 4    | $\mu s$    |
| Low to High  |  |      |     |      | $\mu s$    |
| Ready Transition Times   |  |      |     |      |            |
| High to Low  | $V_{DD} = V_{SS} - 6.5$  |      | 5   | 20   | $\mu s$    |
| Low to High  | $C_{LOAD} = 50 \text{ pF}$   |      | 2.0 | 4.0  | $\mu s$    |
| Keyboard Scan Inputs Transition Times  |  |      |     |      |            |
| High to Low (After Key Release)  | $V_{GG} = V_{SS} - 35$   |      |     | 100  | $\mu s$    |
| Low-to-High (After Key Closure)  | $\left\{ \begin{array}{l} C_{LOAD} = 50 \text{ pF} \\ C_{LOAD} = 100 \text{ pF} \end{array} \right.$                                   |      |     | 4    | $\mu s$    |
| Key Bounce-Out Stability Time  |  | 6.36 |     | 39.6 | ms         |
| (The time a keyboard scan input must be continuously lower than the maximum logical low level to be accepted as a key closure, or higher than the minimum logical high level to be accepted as a key release.) |  |      |     |      |            |
| Worst Case Calculation Time  |  |      |     | 200  | word times |

**FUNCTIONAL DESCRIPTION**

The MM5795 is a calculator chip which contains four data registers: (1) entry, (2) accumulator, (3) working and (4) memory, each consisting of 8 digits, sign, and decimal point. The entry register is always displayed. It contains digit entries from the keyboard, and results of all functions except M+ and M-. The accumulator is used in all arithmetic functions and stores a copy of the entry register on all results. This allows another number to be entered without losing an intermediate result. Multiply and divide require three registers to perform the function

and save the divisor, or multiplier. The working register is provided to perform these functions in conjunction with the entry and accumulator registers.

The memory register is used only to store a number to be used later. It is fully protected during all operations, and is only modified by depressing an "MC," "M+," or "M-" key. Power on clears all of the registers including the memory register.



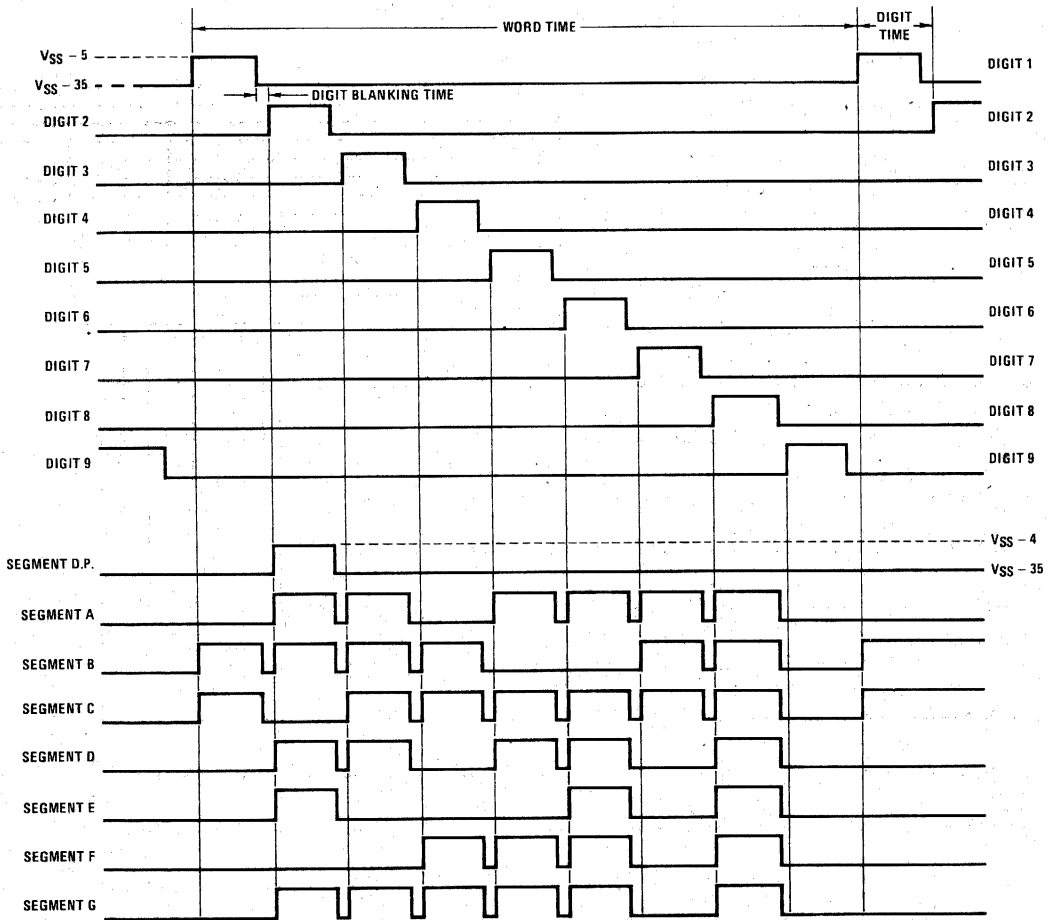
\*V<sub>SS</sub> - V<sub>DD</sub> must be as specified in this data sheet (6.5-9.5) but V<sub>SS</sub> - V<sub>GG</sub>, E<sub>f</sub> and V<sub>Z</sub> are determined by the fluorescent display specifications.  
 † D1 is the right-most display digit, also see Figure 2.

**FIGURE 1. Complete Calculator Schematic**

The MM5795 performs the "+," "-", "x" and "÷" functions using algebraic notation. This requires the use of a mode register and a terminate flag. The mode register directs the machine to the proper function (add, subtract, multiply or divide) with each new key entry. After the function has been performed, the key entered is used to modify the mode register.

If the terminate flag is set, a "+," "-", "x" or "÷" key signals the beginning of a new problem. The number being displayed is copied into the accumulator register and the mode register assumes the mode of the key entered. The terminate flag is always reset by the "+," "-", "x" and "÷" keys.

The terminate flag is set on "=" and sometimes on "% and "C/CE." This signifies the end of the problem. The MM5795 allows for full floating entries and results.



ACTUAL DISPLAY: 8765432.1  
 O9 ← → O1

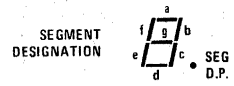


FIGURE 2. Display Timing

## OPERATION IN THE ADD AND SUBTRACT MODE

If the terminate flag is set, an "=" key will result in a constant add/subtract. The number in the accumulator will be added to (or subtracted from) the number being displayed. The result is right-justified and displayed in the entry register. Accumulator and mode registers are not altered, allowing for constant operations.

If the terminate flag is not set and a number has been entered from the keyboard, or memory register, a "+," "-", "x" or "÷" key will result in an addition or subtraction. The entry register will be added to or subtracted from the accumulator and the new running total will be displayed in the entry register and copied into the accumulator register. The mode will be altered according to which key is entered.

If the terminate flag is not set, and a number has not been entered from the keyboard, or memory, a "+," "-", "x" or "÷" key will only change the mode register to the new key entry.

If the terminate flag is not set, an "=" key will add/subtract the number being displayed to/from the number in the accumulator register. The number being displayed is transferred to the accumulator, and the result of the operation is displayed in the entry register. The terminate flag is set, conditioning the calculator for constant, add/subtract operation. The number being displayed previous to the "=" key is stored in the accumulator as the constant.

Operation of the "%" key in add/subtract mode, with the terminate flag reset, will multiply the accumulator by the last entry, divide the result by 100, and display it in the entry register. The mode register remains as it was in the add or subtract mode. All of the above is required to perform the percent add on or discount problems. Depression of an "=" key after the "%" key will either tax or discount the original number as a function of the mode register and the last entry.

Operation of the "%" key in add/subtract mode, with the terminate flag set, will shift the decimal point of the number being displayed two places to the left and copy it into the accumulator register. The mode is set to multiply and the terminate flag remains set.

## OPERATION IN THE MULTIPLY MODE

If the terminate flag is set, an "=" key will result in a constant multiply operation. The number being displayed is multiplied by the constant stored in the accumulator register. The result is displayed in the entry register and the accumulator and mode registers are not altered, allowing for constant operation. Repeated depressions of the "=" key can be used to raise a number to an integer power, i.e., "C/CE," "C/CE," "5.2," "x," "=", "=," "=," computes  $5.2^4$ .

The constant in multiplication, as well as in addition, subtraction and division is the last number entered. For the sequence: "C/CE," "C/CE," "3," "÷," "4," "x," "2," "=" the constant multiplier for future problems is 2.

If the terminate flag is not set, an "=" key will signal the end of a problem. The number in the display will be multiplied by the contents of the accumulator, and the results will be displayed in the entry register. The number previously in the entry register is stored in the accumulator register and the terminate flag is set.

If the terminate flag is not set, and a number has been entered from the keyboard or memory register, a "+," "-", "x" or "÷" key will result in a multiplication. The number being displayed will be multiplied by the number residing in the accumulator register. The result will be copied into the accumulator and displayed in the entry register. The mode register is up-dated as a function of the key depressed.

Operation of the "%" key while in multiply mode looks exactly the same as an "=" key except the decimal point of the display is shifted two positions to the left before the multiplication takes place.

## OPERATION IN THE DIVIDE MODE

If the terminate flag is set, an "=" key will result in constant divide operation. The number being displayed is divided by the constant stored in the accumulator register. The accumulator and mode registers are not altered allowing for constant operations. Repeated depressions of the "=" key will result in repeated divisions by the constant. Thus, it is possible to raise a number to a negative integer power using the sequence: "C/CE," "C/CE," "1," "÷," "No.," "=", "=," etc.

If the terminate flag is not set, an "=" key will signal the end of a problem. The number in the accumulator register will be divided by the number being displayed. The result is transferred to the entry register and displayed. The terminate flag is set and the divisor is stored in the accumulator register.

If the terminate flag is not set, a "+," "-", "x" or "÷" key will result in a division. The number in the accumulator register will be divided by the number being displayed. The results are displayed in the entry register, and a copy of the result is stored in the accumulator. The mode register is modified to reflect the latest key entry.

Operation of the "%" key while in divide mode looks exactly the same as the "=" key except the decimal point of the display is shifted two positions to the left before division takes place.

## ERROR CONDITIONS

If any of the operations mentioned above generates a number larger than 9999 9999, an error will occur. An error is indicated by displaying the eight most significant digits and sign with all nine decimal points. The first depression of the "C/CE" key will clear the error condition, and all registers except the memory register.

It is not possible to generate an error during number entry. The ninth and subsequent digits entered are ignored.

#### POWER-ON CONDITION

The MM5795 has an internal power-on clear circuit which clears all registers to zero, places the mode to add and sets the terminate flag. A zero and decimal point are displayed.

#### KEYBOARD BOUNCE AND NOISE REJECTION

The MM5795 is designed to interface with most low cost keyboards, which are often the least desirable from a false or multiple entry standpoint.

A key closure is sensed by the calculator chip when one of the key inputs, K1, K2, K3 or K4 is forced more positive than the Logical High Level specified in the electrical specifications. An internal counter is started as a result of the closure. The key operation begins after eleven word times if the Key Input is still at a Logical High Level. As long as the key is held down (and the Key Input remains high) no further entry is allowed. When the Key Input changes to a Logical Low Level, the internal counter starts an eleven word timeout for key release. During both, entry and release timeouts, the Key Inputs are sampled every word time for valid levels. If they are found invalid, the counter is reset and the calculator resumes scanning the keyboard.

#### TEST FEATURES

Several features have been designed into the MM5795 to facilitate testing. One is to allow the key debounce timing to be modified, and the second performs a "segment test" function which turns on all segments for all digit times, with no interdigit blanking. The key bounce time can be reduced from eleven word times to one if a key closure is made between D9 and K2. "Segment Test" occurs when K3 is connected to D9. Closures for test operations are not debounced, and also may occur simultaneously with normal key closures if diodes are used to isolate the D-Lines from each other. The test features are active for every word time the Test switch closure is maintained. These test matrix entries are isolated internally from the normal calculator keys, allowing simultaneous entry of "test" keys and "calculator" keys, except for K3 keys during "Segment Test."

#### FUNCTION OF KEYS

Some of the keys operate differently when in the data or number entry condition. The MM5795 switches to entry condition when entering numbers and leaves this condition after most function keys. The following paragraphs discuss each of the keys on a full keyboard and the action taken when they are depressed. The earlier paragraphs which discussed the action of "+", "-", "x", "÷" and "%" keys and the examples given in later sections will aid in further explaining these actions.

##### Clear Key, "CE/C"

While in the number entry condition, one depression will clear the entry register to zero and recall the accumulator for display. The machine then leaves the number entry state.

If the error condition is displayed, one depression will clear the error, and all registers except the memory register. The machine could not be in the number entry condition with the error flag set.

If the error flag is not set and the machine is not in the number entry condition, one depression of "CE/C" key will clear the entry and accumulator registers. It also places the machine in the add mode and sets the terminate flag. The memory register remains unchanged.

##### Number Keys 0-9

If *not* in the number entry condition, a number key will clear the display and then enter the value of the key into the LSD. The digits are displayed as they are entered and the machine assumes the number entry condition.

If in the number entry condition, the entry register is shifted left one position and the key depressed is entered into the LSD. If there is a number in the most significant digit position (9th) the entry register is then shifted right one position and the entry is lost.

##### Square Root Key, " $\sqrt{\quad}$ "

The square root key extracts the square root of the absolute value of the number being displayed in the entry register.

The mode of the calculator remains unchanged. This enables square root operations in the middle of chain calculations. For example:

| KEY            | DISPLAY               | KEY            | DISPLAY     | KEY            | DISPLAY |
|----------------|-----------------------|----------------|-------------|----------------|---------|
| A              | A                     | A              | A           | 11             | 11      |
| $\sqrt{\quad}$ | $\sqrt{A}$            | X              | A           | +              | 11.     |
| +              | $\sqrt{A}$            | B              | B           | 5              | 5       |
| B              | B                     | $\sqrt{\quad}$ | $\sqrt{B}$  | =              | 16.     |
| $\sqrt{\quad}$ | $\sqrt{B}$            | =              | $A\sqrt{B}$ | $\sqrt{\quad}$ | 4.      |
| =              | $\sqrt{A} + \sqrt{B}$ |                |             | 6              | 6.      |
|                |                       |                |             | =              | 11      |
|                |                       |                |             | 9              | 9       |
|                |                       |                |             | $\sqrt{\quad}$ | 3.      |
|                |                       |                |             | =              | 8.      |

##### Square Key, " $x^2$ "

Depression of the "Square" key copies the number being displayed into the accumulator register, and performs a multiplication. On completion of the square operation, the results are displayed in the entry register, the original number is stored in the accumulator and the mode of the calculator is unchanged. Entering a number to start a new entry will first clear the entry register.

##### Memory Recall Key, "MR"

The "MR" key recalls the number being stored in the memory register and displays it in the entry register. This number can then be used as a new number entry.



**Memory Clear Key, "MC"**

The "MC" key clears the memory register. The status of the calculator remains unchanged.

**Memory Plus Key, "M+"**

When the "M+" key is depressed, the number being displayed is added to the contents of the memory and the results, providing there is no overflow, are placed in the memory. The calculator will be out of the data entry mode.

If an overflow occurs, the contents of the memory are *not* altered. The display shows the eight most significant digits and sign of the results with all nine decimal points.

**Memory Minus Key, "M-"**

This key operates like the "M+" key only the displayed number is subtracted from memory.

**Plus, Minus, Multiply and Divide Keys, "+", "-", "x", "÷"**

These keys terminate a number entry, complete the operation designated by the mode register and update the mode register for the next operation. A more detailed explanation of these keys is found in the description of modes.

**Equal Key, "="**

This key terminates a number entry, complete the operation designated by the mode register and sets the terminate flag.

**Percent Key, "%"**

Following a clear-all operation or a number entry proceeded by a clear all operation, this key shifts the decimal point of the number being displayed two places to the left, copies it into the accumulating register and establishes the multiply mode.

While in multiply or divide mode, this key shifts the displayed decimal point two places to the left, completes the multiplication or division and sets the terminate flag.

In add or subtract mode, this key shifts the displayed decimal point two places to the left, multiplies the display times the accumulating register, places the product in the entry register and leaves the accumulator register and mode register undisturbed. This permits automatic calculation of net by depression of the "=" key. The terminate flag is not altered.

**SAMPLE PROBLEMS****1. Simple addition or subtraction**

| KEYS<br>C/CE | DISPLAY | COMMENTS               |
|--------------|---------|------------------------|
| 3            | 0       |                        |
|              | 3       | Start addition problem |

**1. Simple addition or subtraction (continued)**

| KEYS  | DISPLAY  | COMMENTS                                       |
|-------|----------|--|
| +     | 3.       | Sets add mode                                  |
| 2     | 2        |  |
| +     | 5.       | Completes addition, sets add mode              |
| -     | 5.       | Resets addition mode, sets subtraction mode    |
| 4,355 | 4.3 5 5  |  |
| =     | 0.6 4 5  | Completes subtraction. Sets terminate mode.    |
| +     | 0.6 4 5  | Sets add mode                                  |
| 3.25  | 3.2 5    | Starts Digit Entry                             |
| CS    | -3.2 5   | Changes Sign                                   |
| 4     | -3.2 5 4 | Continues Digit Entry                          |
| +     | -2.6 0 9 | Completes signed addition, sets add mode       |
| 1     | 1        |  |
| =     | -1.6 0 9 | Completes signed addition, sets terminate mode |

**2. Constant addition or subtraction (second factor constant)**

| KEYS | DISPLAY | COMMENTS  |
|------|---------|---|
| 3    | 3       |   |
| -    | 3.      | Sets subtract mode  |
| 2    | 2       |   |
| +    | 1.      | Completes subtraction, sets add mode                              |
| 6    | 6       |   |
| =    | 7.      | Completes addition, saves (6) as constant, sets terminate mode    |
| .5   | .5      |   |
| =    | 6.5     | Completes addition constant=6                                     |
| 7    | 7       |   |
| -    | 7.      | Sets subtraction mode, resets terminate mode                      |
| 3    | 3       |   |
| =    | 4.      | Completes subtraction, sets terminate mode, saves 3 as a constant |
| 8    | 8       |   |
| EX   | 3.      | Exchanges entry, and constant                                     |
| =    | -5.     | Completes subtraction constant = 8                                |
| 9    | 9       |   |
| =    | 1.      | Completes subtraction constant = 8                                |

**3. Simple multiplication**

| KEYS | DISPLAY | COMMENTS                     |
|------|---------|------------------------------|
| 3.1  | 3.1     | Start multiplication problem |

## 3. Simple multiplication (continued)

| KEYS | DISPLAY | COMMENTS                                      |
|------|---------|---|
| X    | 3.1     | Sets multiply mode                            |
| 6    | 6       |   |
| =    | 18.6    | Completes multiplication, sets terminate mode |

## 4. Chain multiplication

| KEYS | DISPLAY | COMMENTS  |
|------|---------|---|
| 3    | 3       |   |
| +    | 3       | Sets add mode   |
| 4    | 4       |   |
| X    | 7.      | Completes addition, sets multiply mode                          |
| 6    | 6       |   |
| -    | 4.2     | Completes multiplication, sets subtract mode                    |
| 2    | 2       |   |
| =    | 40.     | Completes subtraction, sets terminate mode, saves 2 as constant |

## 5. Constant multiplication

| KEYS | DISPLAY | COMMENTS   |
|------|---------|--|
| 3    | 3       |  |
| X    | 3.      | Sets multiply mode   |
| 4    | 4       |  |
| =    | 12.     | Completes multiplication, saves '4' as constant, sets termination mode |
| 6    | 6       |  |
| =    | 24.     | Completes constant multiplication, constant = 4                        |
| 3    | 3       |  |
| -    | 3.      | Sets subtract mode, resets termination                                 |
| 4.5  | 4.5     |  |
| X    | -1.5    | Completes subtraction, sets multiply mode                              |
| 8    | 8       |  |
| CS   | -8      | Changes sign   |
| =    | 12.     | Completes multiplication '-8' as constant, sets termination mode       |
| EX   | -8.     | Exchanges entry register, and constant                                 |
| CS   | 8.      |  |
| 3    | 3       |  |
| =    | 36.     | Completes constant multiplication constant = 12                        |

## 5. Constant multiplication (continued)

| KEYS | DISPLAY | COMMENTS  |
|------|---------|---|
| =    | 432.    | Completes constant multiplication constant = 12       |
| 3    | 3       |   |
| X    | 3.      | Sets multiply mode, resets termination mode           |
| +    | 3.      | Sets add mode. Second function key only modifies mode |
| -    | 3.      | Sets subtract mode                                    |
| X    | 3.      | Sets multiply mode                                    |
| =    | 9.      | Completes multiplication. Sets termination mode       |

## 6. Simple division

| KEYS | DISPLAY    | COMMENTS |
|------|------------|----------|
| 4    | 4          |          |
| ÷    | 4.         |          |
| 3    | 3          |          |
| CS   | -3         |          |
| =    | -1.3333333 |          |

## 7. Chain division

| KEYS | DISPLAY   | COMMENTS |
|------|-----------|----------|
| 3    | 3         |          |
| ÷    | 3.        |          |
| 8    | 8         |          |
| +    | 0.375     |          |
| 2    | 2         |          |
| X    | 2.375     |          |
| 3.1  | 3.1       |          |
| ÷    | 7.3625    |          |
| 6    | 6         |          |
| =    | 1.2270833 |          |

## 8. Constant division

| KEYS | DISPLAY | COMMENTS |
|------|---------|----------|
| 6    | 6       |          |
| ÷    | 6.      |          |
| 2    | 2       |          |
| =    | 3.      |          |
| 15   | 15      |          |
| -    | 15.     |          |
| 2    | 2       |          |
| X    | 13.     |          |
| 8.3  | 8.3     |          |
| ÷    | 107.9   |          |
| 3    | 3       |          |
| CS   | -3      |          |
| EX   | 107.9   |          |

## 8. Constant division (continued)

| KEYS  | DISPLAY    | COMMENTS |
|-------|------------|----------|
| =     | -0.2780352 |          |
| EX    | 107.9      |          |
| CS    | -107.9     |          |
| EX    | -0.2780352 |          |
| 608.7 | 608.7      |          |
| =     | -5.6413345 |          |

## 9. Add on and discount problems

| KEYS   | DISPLAY   | COMMENTS |
|--------|-----------|----------|
| 695.99 | 695.99    |          |
| -      | 695.99    |          |
| 20     | 20        |          |
| %      | 139.198   |          |
| =      | 556.792   |          |
| +      | 556.792   |          |
| 6      | 6         |          |
| %      | 33.40752  |          |
| =      | 590.19952 |          |
| 17.95  | 17.95     |          |
| -      | 17.95     |          |
| 15     | 15        |          |
| %      | 2.6925    |          |
| +      | 15.2575   |          |
| 6      | 6         |          |
| %      | 0.91545   |          |
| =      | 16.17295  |          |

## 10. Percent in multiplication and division

| KEYS | DISPLAY | COMMENTS |
|------|---------|----------|
| 308  | 308     |          |
| X    | 308.    |          |
| 5    | 5       |          |
| %    | 15.4    |          |
| 500  | 500     |          |
| ÷    | 500.    |          |
| 4    | 4       |          |
| %    | 12500.  |          |

## 11. Memory operations

| KEYS | DISPLAY | COMMENTS   |
|------|---------|--|
| 6    | 6       |  |
| M+   | 6.      | Memory indicator is activated in left-most digit |

## 11. Memory operations (continued)

| KEYS  | DISPLAY | COMMENTS   |
|-------|---------|--|
| 3     | 3       |  |
| +     | 3.      |  |
| 2     | 2       |  |
| M-    | 2.      |  |
| =     | 5.      |  |
| MR    | 4.      |  |
| 3.678 | 3.678   |  |
| CS    | -3.678  |  |
| M+    | -3.678  |  |
| X     | -3.678  |  |
| 5     | 5       |  |
| M-    | 5.      |  |
| =     | -18.39  |  |
| MR    | -4.678  |  |
| 5     | 5       |  |
| MC    | 5.      | Memory indicator turned off when contents equal zero |
| 3     | 3       |  |
| X     | 3.      |  |
| 4     | 4       |  |
| X     | 12.     |  |
| MR    | 0.      |  |
| =     | 0.      |  |

## 12. Square root problems

| KEYS | DISPLAY   | COMMENTS |
|------|-----------|----------|
| 3    | 3         |          |
| √    | 1.7320508 |          |
| +    | 1.7320508 |          |
| 4    | 4         |          |
| √    | 2.        |          |
| =    | 3.7320508 |          |
| 7    | 7         |          |
| +    | 7.        |          |
| 8    | 8         |          |
| =    | 15.       |          |
| √    | 3.8729833 |          |

## 13. Square problems

| KEYS           | DISPLAY | COMMENTS |
|----------------|---------|----------|
| 72             | 72      |          |
| X <sup>2</sup> | 5184.   |          |



## MM57103 scientific calculator circuit

### general description

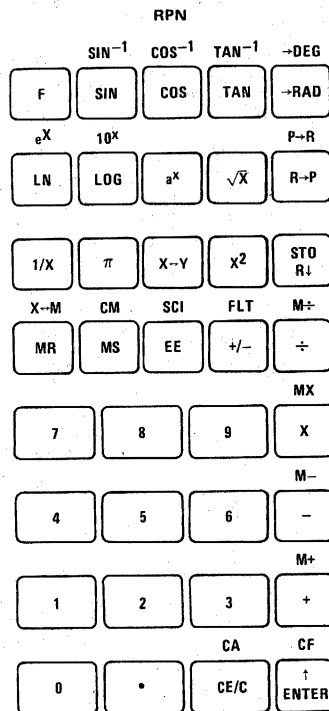
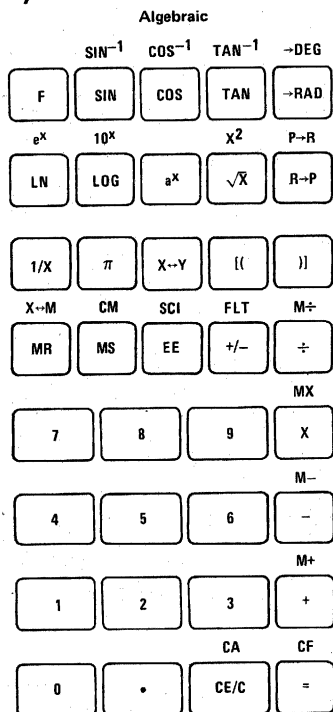
The MM57103 is a powerful one-chip scientific calculator device designed to provide the features and functions most desired by professionals. An 8-digit mantissa plus sign with a 2-digit exponent plus sign is featured. A 36-position keyboard (such as that illustrated below) was designed for convenience. Algebraic logic, combined with a fully accumulating 8-function memory in addition to two levels of parentheses are features most asked for in professional scientific calculators. With a simple pin connection, the MM57103 offers RPN logic with a 4-level stack in addition to the 8-function memory.

### features

- Enters and displays  $\pm 9.999999 \times 10^{99}$  to  $\pm 1. \times 10^{-99}$
- Left justified entry with trailing zero suppression

- Selectable Reverse Polish Notation (RPN) or Algebraic notation with 2 levels of parentheses
- Arithmetic functions: +, -, X,  $\div$ ,  $1/X$ ,  $\sqrt{X}$ ,  $X^2$
- Constant operations in algebraic mode
- Power function:  $Y^X$
- Logarithmic functions: LN X, LOG X,  $e^X$ ,  $10^X$
- Trigonometric functions: SIN, COS, TAN,  $SIN^{-1}$ ,  $COS^{-1}$ ,  $TAN^{-1}$
- Full-function, addressable memory
- 4-register working stack with ROLL capability (RPN) or EQUAL with 2 levels of parentheses (algebraic)
- $\pi$ , change sign, clear, clear-all and exchange
- Auto power-on clear
- Degree/radian conversion
- Rectangular/polar conversion
- Two output modes: floating or scientific

### sample keyboards



**absolute maximum ratings**

|  |   |
|--|---|
| Voltage at Any Pin Relative to V <sub>SS</sub><br>(All Other Pins Connected to V <sub>SS</sub> ) | V <sub>SS</sub> +0.3V to V <sub>SS</sub> -12V |
| Ambient Operating Temperature  | 0°C to +70°C                                  |
| Ambient Storage Temperature  | -55°C to +125°C                               |
| Lead Temperature (Soldering, 10 seconds)   | 300°C   |

**dc electrical characteristics** 0°C ≤ T<sub>A</sub> ≤ +70°C, 7.9V ≤ V<sub>SS</sub> - V<sub>DD</sub> ≤ 9.5V unless otherwise stated

| PARAMETER  | CONDITIONS  | MIN                  | TYP | MAX                  | UNITS |
|--|---|----------------------|-----|----------------------|-------|
| Operating Voltage (V <sub>SS</sub> - V <sub>DD</sub> ) |   | 7.9                  |     | 9.5                  | V     |
| Operating Supply Current (I <sub>DD</sub> )            | V <sub>SS</sub> - V <sub>DD</sub> = 9.5V, T <sub>A</sub> = 25°C,<br>(Excluding Outputs) |                      | 12  | 18                   | mA    |
| Osc. Input Voltage Levels                              |   |                      |     |                      |       |
| Logic High Level (V <sub>IH</sub> )                    | V <sub>SS</sub> - V <sub>DD</sub> = 7.9V  | V <sub>SS</sub> -1.0 |     |                      | V     |
| Logic Low Level (V <sub>IL</sub> )                     | V <sub>SS</sub> - V <sub>DD</sub> = 9.5V  |                      |     | V <sub>DD</sub> +1.5 | V     |
| Osc. Input Resistance To V <sub>SS</sub>               |   |                      | 3   |                      | kΩ    |
| K1-K4  | (For Keyboard)  |                      |     |                      |       |
| Input Voltage Levels                                   |   |                      |     |                      |       |
| Logic High Level (V <sub>IH</sub> )                    | V <sub>SS</sub> - V <sub>DD</sub> = 7.9V  | V <sub>SS</sub> -3.2 |     | V <sub>SS</sub>      | V     |
| Logic Low Level (V <sub>IL</sub> )                     | V <sub>SS</sub> - V <sub>DD</sub> = 9.5V  | V <sub>SS</sub> -4.5 |     | V <sub>SS</sub>      | V     |
| K1-K4 Input Current Levels                             | (Through Keyboard)  |                      |     |                      |       |
| Input High Level (I <sub>IH</sub> )                    | V <sub>IH</sub> = V <sub>SS</sub> - 3.2V  |                      |     | -350                 | μA    |
| D03 Input Voltage Levels                               |   |                      |     |                      |       |
| Logic High Level (V <sub>IH</sub> )                    | 7.9V ≤ V <sub>SS</sub> - V <sub>DD</sub> ≤ 9.5V   | V <sub>SS</sub> -3.5 |     |                      | V     |
| Logic Low Level (V <sub>IL</sub> )                     | V <sub>SS</sub> - V <sub>DD</sub> = 7.9V  |                      |     | V <sub>DD</sub> +2.5 | V     |
|  | V <sub>SS</sub> - V <sub>DD</sub> = 9.5V  |                      |     | V <sub>DD</sub> +3.0 | V     |
| SI and Sync Input Voltage Levels                       |   |                      |     |                      |       |
| Logic High Level (V <sub>IH</sub> )                    | V <sub>SS</sub> - V <sub>DD</sub> = 7.9V  | V <sub>SS</sub> -1.2 |     |                      | V     |
| Logic Low Level (V <sub>IL</sub> )                     | V <sub>SS</sub> - V <sub>DD</sub> = 7.9V  |                      |     | V <sub>SS</sub> -4.0 | V     |
| D01, D02, D04 Output Voltage Levels (Encoded Digit)    |   |                      |     |                      |       |
| Logic High Level (V <sub>OH</sub> )                    | R <sub>L</sub> = 150 kΩ   | V <sub>SS</sub> -1.0 |     | V <sub>SS</sub>      | V     |
| Logic Low Level (V <sub>OL</sub> )                     | I <sub>OL</sub> = 3 μA  | V <sub>DD</sub>      |     | V <sub>DD</sub> +0.5 | V     |
| Logic High Level Current (I <sub>OH</sub> )            | V <sub>SS</sub> - V <sub>DD</sub> = 7.9V  |                      |     | -260                 | μA    |
|  | V <sub>OH</sub> = V <sub>DD</sub> + 1.5V  |                      |     |                      |       |
| D03 Output Voltage Levels                              |   |                      |     |                      |       |
| Logic High Level (V <sub>OH</sub> )                    | R <sub>L</sub> = 150 kΩ   | V <sub>SS</sub> -1.0 |     | V <sub>SS</sub>      | V     |
| Logic Low Level (V <sub>OL</sub> )                     | I <sub>OL</sub> = 3 μA  | V <sub>DD</sub>      |     | V <sub>DD</sub> +0.5 | V     |
| Logic High Level Current (I <sub>OH</sub> )            | Battery Low "OFF", from DS8664  |                      |     |                      |       |
|  | V <sub>OH</sub> = V <sub>DD</sub> + 3V  |                      |     |                      |       |
|  | V <sub>SS</sub> - V <sub>DD</sub> = 9.5V  | -1.3                 |     | -0.3                 | mA    |
|  | V <sub>OH</sub> = V <sub>DD</sub> + 2.5V  |                      |     |                      |       |
|  | V <sub>SS</sub> - V <sub>DD</sub> = 7.9V  | -1.0                 |     | -0.4                 | mA    |
|  | Battery Low "ON", from DS8664   |                      |     |                      |       |
|  | V <sub>OH</sub> = V <sub>SS</sub> - 3V  |                      |     |                      |       |
|  | V <sub>SS</sub> - V <sub>DD</sub> = 7.9V  |                      |     | -0.3                 | mA    |
|  | V <sub>OH</sub> = V <sub>SS</sub> - 3V  |                      |     |                      |       |
|  | V <sub>SS</sub> - V <sub>DD</sub> = 9.5V  |                      |     | -0.4                 | mA    |
| Sa-Sg and Sp Output Current Levels                     |   |                      |     |                      |       |
| Logic High Level Current (I <sub>OH</sub> )            | V <sub>OH</sub> = V <sub>DD</sub> + 3V  | -20                  | -10 | -5                   | mA    |

## dc electrical characteristics (Continued)

| PARAMETER  | CONDITIONS   | MIN                  | TYP | MAX                  | UNITS    |
|--|--|----------------------|-----|----------------------|----------|
| Sync Output Voltage Levels   | (With Load and Driver to V <sub>DD</sub> )<br>V <sub>SS</sub> - V <sub>DD</sub> = 7.9V |                      |     |                      |          |
| Logic High Level (V <sub>OH</sub> )                                | I <sub>OH</sub> = -100 $\mu$ A   | V <sub>SS</sub> -0.5 |     | V <sub>SS</sub>      | V        |
| Logic Low Level (V <sub>OL</sub> )                                 | I <sub>OL</sub> = 15 $\mu$ A   | V <sub>DD</sub>      |     | V <sub>DD</sub> +3.7 | V        |
| F1, F2, F3 Output Voltage Levels                                   |  |                      |     |                      |          |
| Logic High Level (V <sub>OH</sub> )                                | I <sub>OH</sub> = -30 $\mu$ A  | V <sub>SS</sub> -1.5 |     |                      | V        |
| Logic Low Level (V <sub>OL</sub> )                                 | I <sub>OL</sub> = 3 $\mu$ A  |                      |     | V <sub>DD</sub> +1.0 | V        |
| BLK Output Voltage Levels  |  |                      |     |                      |          |
| Logic High Level (V <sub>OH</sub> )                                | I <sub>OH</sub> = -0.5 mA  | V <sub>SS</sub> -1.5 |     |                      | V        |
| Logic Low Level (V <sub>OL</sub> )                                 | I <sub>OL</sub> = 5 $\mu$ A  |                      |     | V <sub>DD</sub> +1.0 | V        |
| Keyboard Key Resistance (R <sub>KEY</sub> )<br>(INB, K1-K4, F1-F3) | LED Display Interface  |                      |     | 200                  | $\Omega$ |

ac electrical characteristics 0°C ≤ T<sub>A</sub> ≤ +70°C, 7.9V ≤ V<sub>SS</sub> - V<sub>DD</sub> ≤ 9.5V unless otherwise stated

| PARAMETER   | CONDITIONS  | MIN  | TYP | MAX  | UNITS   |
|---|---|------|-----|------|---------|
| Osc. Input Frequency  |   | 320  |     | 400  | kHz     |
| Osc. Duty Cycle (Figure 2)  |   | 46   | 56  | 66   | %       |
| Osc. Input  |   |      |     |      |         |
| Rise Time (t <sub>r</sub> )   | C <sub>L</sub> = 25 pF, R <sub>L</sub> = 6 k $\Omega$             |      |     | 350  | ns      |
| Fall Time (t <sub>f</sub> )   | RC = 0.15 $\mu$ s   |      |     | 50   | ns      |
| K1-K4, D03  |   |      |     |      |         |
| Input Timing  |   |      |     |      |         |
| t <sub>SK</sub>   |   | 1.75 |     |      | $\mu$ s |
| t <sub>LK</sub>   |   | 1.0  |     |      | $\mu$ s |
| BLK Output Timing   |   |      |     |      |         |
| t <sub>pdBLK</sub>  | C <sub>LOAD</sub> = 50 pF   |      |     | 4.4  | $\mu$ s |
| t <sub>rb</sub>   | C <sub>LOAD</sub> ≤ 20 pF   | 0.3  |     |      | $\mu$ s |
| F1, F2, F3 Output Timing  | C <sub>LOAD</sub> = 100 pF  |      |     | 4.4  | $\mu$ s |
| t <sub>pdf</sub>  |   |      |     |      |         |
| Sync Output Timing  |   |      |     |      |         |
| Interval (t <sub>B</sub> , Bit Time)  | (For On-Chip Oscillator)  | 8.8  |     | 30   | $\mu$ s |
| t <sub>pdsL</sub>   | C <sub>L</sub> = 250 pF   | 0.1  |     | 1.65 | $\mu$ s |
| t <sub>pdsH</sub>   |   | 0.1  |     | 1.25 | $\mu$ s |
| t <sub>HS</sub>   |   | 0.1  |     | 0.8  | $\mu$ s |
| D01, D02, D03, D04 Output<br>Timing   | C <sub>L</sub> = 100 pF (D01-D04)<br>C <sub>L</sub> = 250 pF (S0) |      |     |      |         |
| t <sub>pd</sub>   |   | 0.5  |     | 4.0  | $\mu$ s |
| S <sub>a</sub> -S <sub>g</sub> , S <sub>p</sub> Output Timing (t <sub>pdSEG</sub> ) |   |      |     | 6.0  | $\mu$ s |
| Interdigit Blanking Time (T1)   |   |      |     | 7.5  | $\mu$ s |

## functional description

### REGISTER CONFIGURATION

The user has access to 5 registers designated X, Y, Z, T, and M. X is the display and entry register and the bottom of an "operational" stack that includes Y, Z and T. M is an independent user-addressable memory register that can be stored, recalled, added, multiplied, subtracted or divided with X. In the algebraic mode, Z and T are used as parenthesis registers.

All registers contain 8 mantissa digits with sign and 2 exponent digits with sign.

### DISPLAY CONFIGURATION

The X-register is always displayed and shown as 8 digits of mantissa with sign and 2 digits of exponent with sign. Numbers are entered left justified with trailing zeros suppressed.

### DISPLAY FORMAT

Floating point display output format is "F", ".". If X is greater than 99999999. or less than .1, the display is in scientific notation.

By pressing "F", "EE" all results are displayed in scientific notation.

### READY SIGNAL OPERATION

Output F1 of the MM57103 can be used as a "ready signal" to indicate calculator status. It can be useful in providing synchronization information during testing and if used with other logic.

When the calculator is in the "idle state" and ready to accept a key, F1 is high (near  $V_{SS}$ ). It remains high until a key is depressed and accepted, then goes low. It goes low until the calculator is complete then goes high again to indicate that a new key may be entered.

### KEYBOUNCE AND NOISE REJECTION

When a key is depressed, a time-out is started. A key is accepted as valid if it remains depressed for approximately 12 ms. The key must be released for at least 12 ms before a new key can be entered.

### ERROR CONDITIONS AND INDICATION

In the event of an illegal operation, the calculator will display "Error" and X will be cleared. Any key depressed after an error will use  $X = 0$  for the next operator. Table I summarizes results and operations that will give an error indication.

### RANGE ACCURACY AND SPEED

All functions work over the full mathematically allowable range as defined by the error conditions.

All functions take less than 1 second and are accurate to 8 digits.

### ALGEBRAIC OR RPN SELECTION

Connect pin 5 (INB) to  $V_{DD}$  to select algebraic mode. Connect to  $V_{SS}$  to select RPN mode.

TABLE I. Results and Operations Resulting in an Error Indication

|  |
|--|
| Results $> 9.9999999 \times 10^{99}$               |
| Results $< 1 \times 10^{-99}$                      |
| Division by 0                                      |
| LOG, LN $< 0$                                      |
| TAN, SIN, COS $> 9000^\circ$                       |
| TAN $90^\circ$ , $270^\circ$ , etc.                |
| SIN $^{-1}$ , COS $^{-1}$ $> 1$ or $\leq 10^{-50}$ |
| $\sqrt{X} < 0$                                     |
| More than two open parentheses without a close     |
| More close parentheses than open                   |

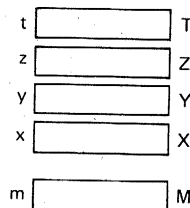


FIGURE 1. User Register Configuration

**functional description** (Continued)**KEY OPERATIONS****Clear Key "C"**

- In RPN mode: Pushes down stack and clears T. Four "C" depressions will clear a completely full stack
- After "F": Clears all registers including the memory
- In algebraic mode after number key: Copy Y to X
- In algebraic mode after function key: Clears all modes and X, Y, Z and T

**Number Keys, "0" ~ "9", "."**

- In RPN mode after any function key except "EN": Clears X and enters number left justified to X
- After any number key: Enters next digit into X. All entries after eighth are ignored
- After "EE": Enters number to exponent. Last 2 entries are used
- After "EN": Clears X and enters number in X
- In algebraic mode, after function key: Clears X and enters number

**Change Sign Key, "CS"**

- After "EE": Change sign of exponent of X
- After any other key: Changes sign of X mantissa

**Coordinate Conversion Key, "R ↔ P"**

- Converts contents of X and Y in rectangular coordinates to polar coordinates:  
 $\sqrt{X^2 + Y^2}$  to Y  
 $\text{TAN}^{-1} Y/X$  to X
- After "F": (P → R): Converts contents of X and Y in polar coordinates to rectangular coordinates:  
 $Y \text{ SIN } X \rightarrow Y$  ( $\Omega \text{ SIN } 0$ )  
 $Y \text{ COS } X \rightarrow X$  ( $\Omega \text{ COS } 0$ )

**Square Root/Square Key, " $\sqrt{X}/X^2$ "**

- Square root of X to X
- After "F": ( $X^2$ ) X-squared to X

**Reciprocal/"1/x"**

Reciprocal of X to X

**Power Key "YX"**

- In RPN mode: Computes  $Y^X$  power, pushes down stack, clears T
- In algebraic mode, not in chain mode: Copy X to Y, set  $Y^X$  chain mode
- In algebraic mode, in chain mode: Perform the specified function of X and Y, putting the result to both X and Y, set  $Y^X$  chain mode

**Enter Key, "EN"**

- Pushes up stack, retains X
- After F: (CF) resets F mode

**Second Function Key, "F"**

Sets F mode

**Memory Store/Clear "MS"/"MC"**

- Copy X to memory
- After F: (CM) clear memory

**Memory Recall/Exchange Memory "MR/X-M"**

- In RPN mode: Pushes up stack, recall memory to X
- In algebraic mode: Recall X to M
- After F: Exchange X and M

**Enter Exponent Key, "EE"**

Sets enter exponent mode, displaying 00 in exponent position.

**Stack Rotate Key "ROLL", RPN Only**

Rolls stack down

**Exchange Key, "X ↔ Y"**

Exchanges X and Y

**Common Log Key, "LOG/10<sup>X</sup>"**

- Common logarithm of X to X (base 10)
- After "F": ( $10^X$ )  $10^X$  to X

**Natural Log Key, "LN/e<sup>X</sup>"**

- Natural logarithm of X to X (base e)
- After "F": ( $e^X$ )  $e^X$  to X

**Trigonometric Keys, "SIN, COS, TAN"**

- Replaces the decimal angle in X with the indicated trigonometric function
- After F: ( $\text{SIN}^{-1}$ ,  $\text{COS}^{-1}$ ,  $\text{TAN}^{-1}$ ) Replaces X with the decimal angle of the indicated inverse trigonometric function

**The Four Function Keys, "+, -, X, ÷", In RPN Mode**

- Add key, "+":  $Y + X \rightarrow X$   
 Subtract key, "-":  $Y - X \rightarrow X$   
 Multiply key, "X":  $Y \times X \rightarrow X$   
 Divide key, "÷":  $Y/X \rightarrow X$   
 Then push down stack and clear T  
 $0 \rightarrow T \rightarrow Z \rightarrow Y$
- After F: +: X + M to M  
 -: M - X to M  
 X: M x X to M  
 ÷: M/X to M



## functional description (Continued)

### The Four Function Keys, "+", "-", "X", "÷", In Algebraic Mode

- If not in chain mode: Copy X to Y, set the specified chain mode
- After "+, -, X, ÷" key: Copy X to Y, set chain mode
- In chain mode: Perform the specified function of X and Y putting the result to X and Y, set the specified chain mode

### $\pi$ Key, " $\pi$ "

- In RPN mode: Pushes up stack enter  $\pi$  to X (3.1415927)
- In algebraic mode: Enter  $\pi$  to X

### Degree to Radian Key, "D $\rightarrow$ R"

- Converts X in degrees to radians  $X = X_0/180 \times \pi$
- Converts X in radians to degrees  $X = X_0/\pi \times 180$

### Equal Key, "="

- In chain mode: Perform the specified function of X and Y putting the result to X and save the last number displayed in Y, set the constant mode

- In constant mode: Perform the specified function of X, Y putting the result in X
- After F: (CF) reset F mode

### Open Parenthesis, "[("

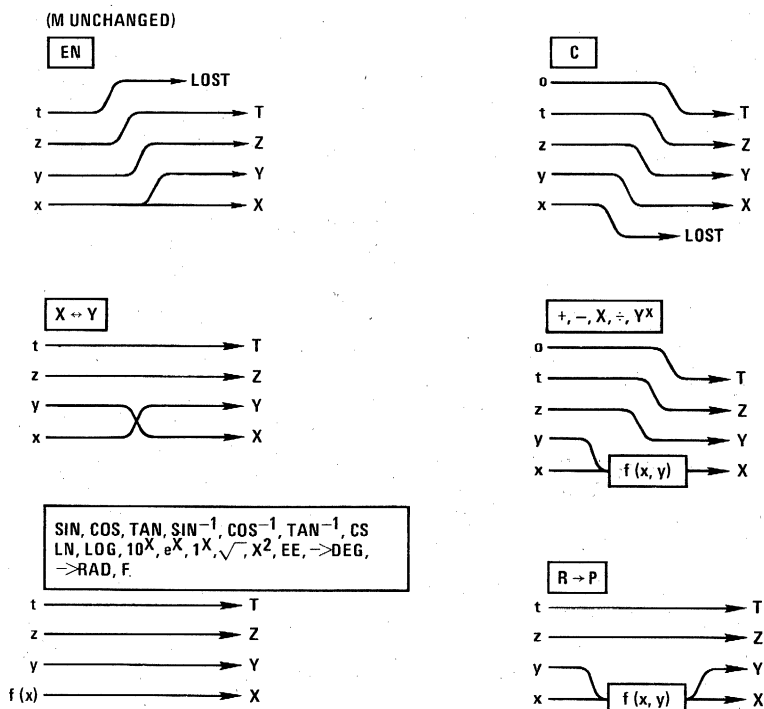
Copy Z to T, copy X to Z; copy P1 mode to P2 mode; copy the calculator mode to P1 mode, reset calculator mode

### Close Parenthesis ")]", Algebraic Mode

- In chain mode: Perform the specified function of X, Y putting the result to X. Copy Z to Y, copy T to Z, clear T2. Copy P2 mode to P1 mode, copy P1 mode to the calculator mode, reset P2 mode
- Not in chain mode: Z to Y, T to Z, clear T, P1 mode to calculator mode, P2 mode to P1 mode, reset P2 mode

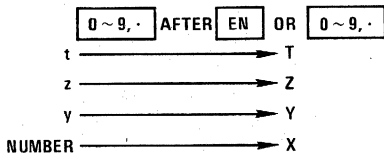
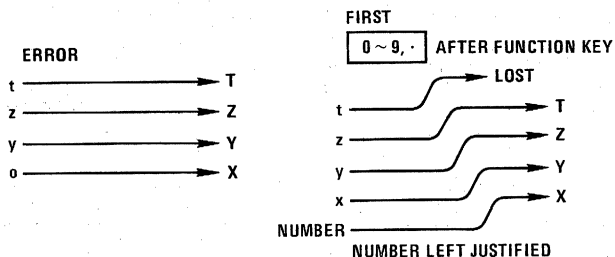
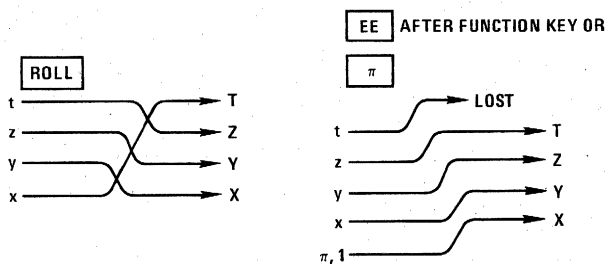
## summary

### Stack Operations in RPN Mode

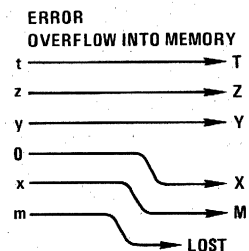
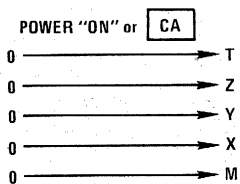
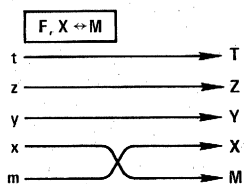
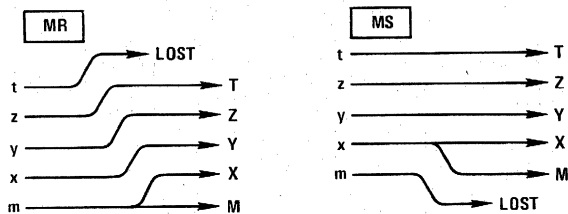


summary (Continued)

Stack Operations in RPN Mode (Continued)



Operations Using Memory(s)

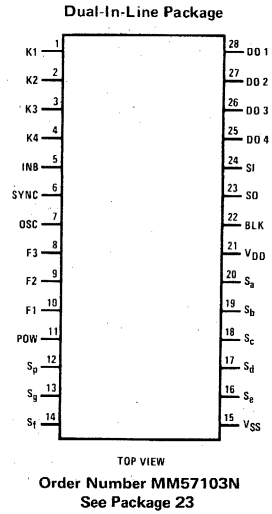


Example Showing Parentheses Registers and Modes in Algebraic Mode

$$6 \times (2^{(8-5)} + 2)$$

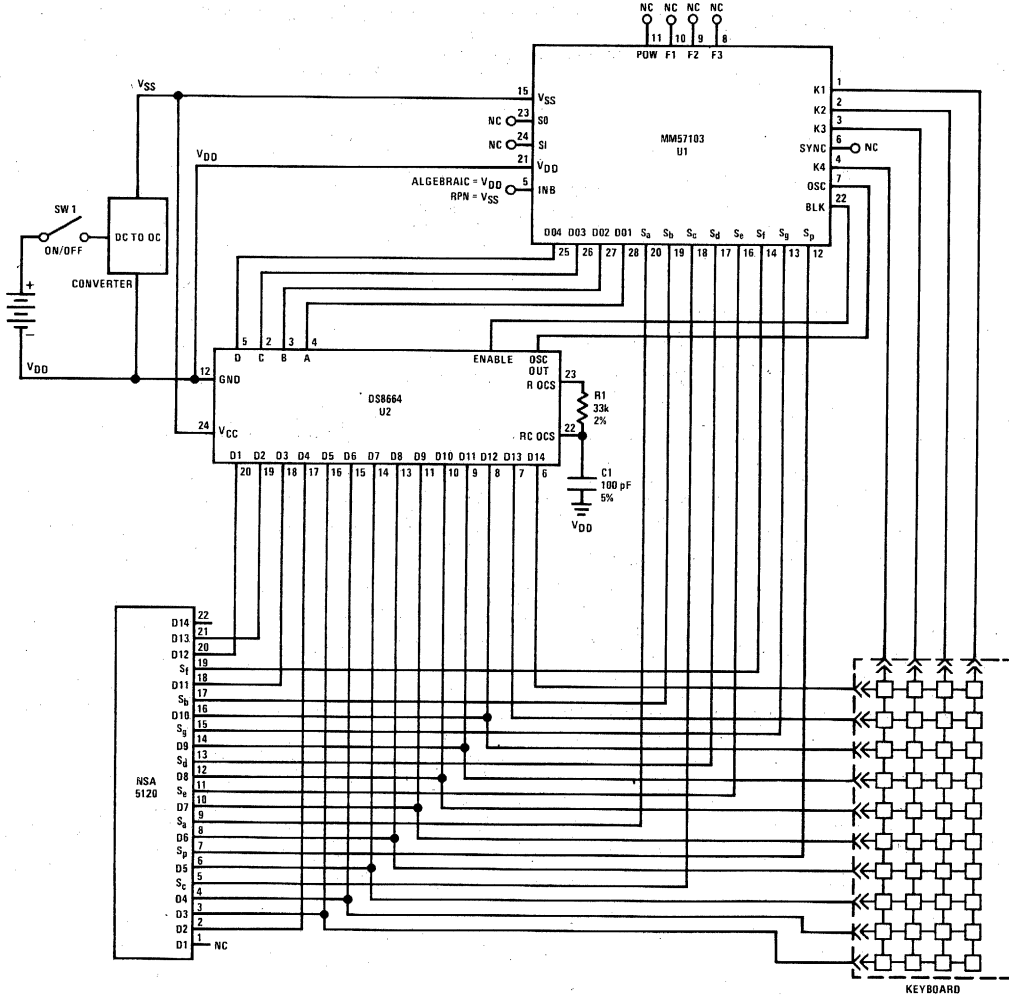
|                 | X  | Y & MODE        | P1<br>Z & MODE  | P2<br>T & MODE |
|-----------------|----|-----------------|-----------------|----------------|
|                 | 6  |                 |                 |                |
| X               | 6  | 6x              |                 |                |
| (               | 6  | 6               | 6x              |                |
| 2               | 2  | 6               | 6x              |                |
| FY <sup>X</sup> | 2  | 2Y <sup>X</sup> | 6x              |                |
| (               | 2  | 2               | 2Y <sup>X</sup> | 6x             |
| 8               | 8  | 2               | 2Y <sup>X</sup> | 6x             |
| -               | 8  | 8+              | 2Y <sup>X</sup> | 6x             |
| 5               | 5  | 8-              | 2Y <sup>X</sup> | 6x             |
| )               | 3  | 2Y <sup>X</sup> | 6x              |                |
| +               | 8  | 8+              | 6x              |                |
| Z               | Z  | 8+              | 6x              |                |
| )               | 10 | 6x              |                 |                |
| =               | 60 | 10x (constant)  |                 |                |

connection diagram



typical application

Typical Scientific Calculator Schematic



switching time waveforms

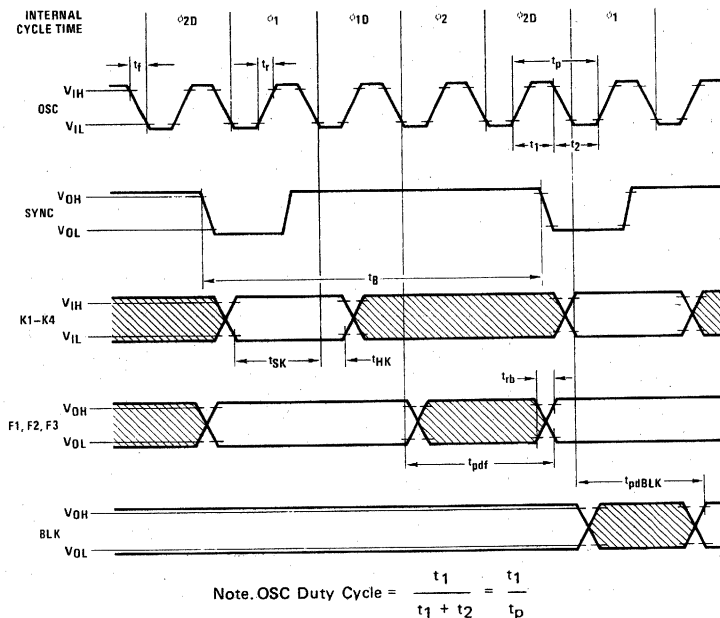


FIGURE 2(a). Input/Output Timing Diagram

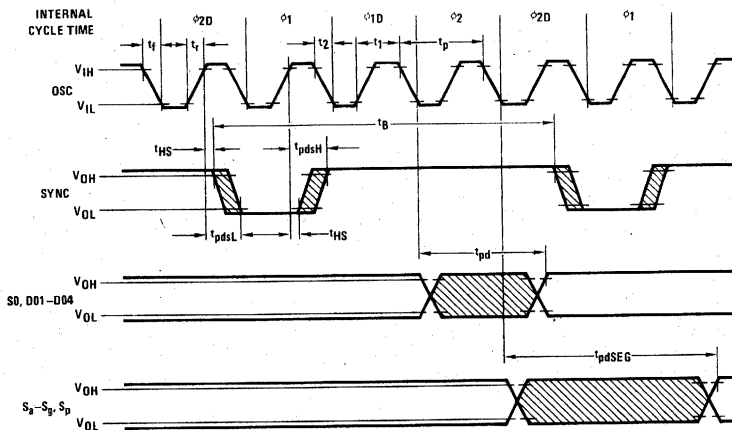


FIGURE 2(b). Input/Output Timing Diagram

keyboard matrix connection table

| SWITCH INPUTS | DIGIT TIMING STATE |      |       |     |     |     |    |     |     |    |
|---------------|--------------------|------|-------|-----|-----|-----|----|-----|-----|----|
|               | D14                | D13  | D12   | D11 | D10 | D9  | D8 | D7  | D6  | D5 |
| K1            |                    | =    | +     | C   | •   | 0   | 3  | 2   | 1   |    |
| K2            |                    | X    | -     | 9   | 8   | 7   | 6  | 5   | 4   |    |
| K3            | M+                 | [(   | ÷     | )]  | %   | Σ+  | CS | EE  | MS  | MR |
| K4            | F                  | D.MS | R → P | TAN | COS | SIN | √  | 1/X | LOG | LN |



## MM57104 scientific calculator circuit

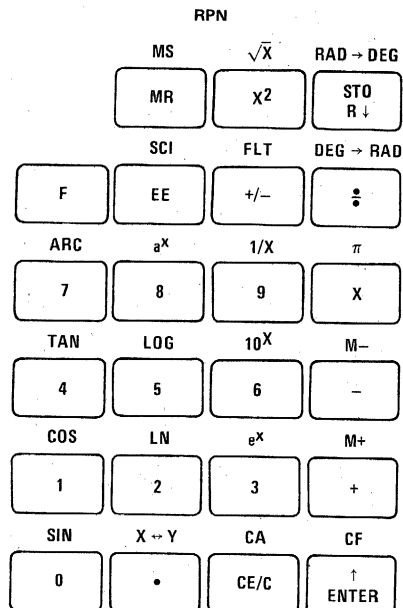
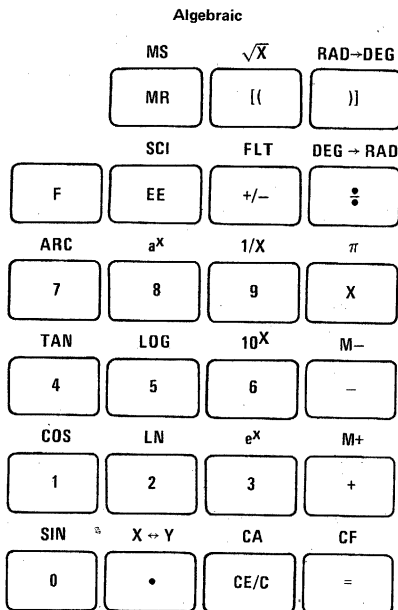
### general description

The MM57104 features the most essential and desirable scientific functions microprogrammed onto a single economical MOS/LSI device. Use of a 9-digit display with a 5-digit mantissa plus sign and a 2-digit exponent plus sign is featured even though internal numbers use a full 8-digit mantissa for accuracy. Low system cost without sacrificing features has been achieved with the MM57104; direct operation from an inexpensive throw-away 9V battery, eliminating the need for a dc/dc converter, minimal cost 23-position keyboard and a standard 9-digit low cost LED display. National's built-in reliability and rugged 24-lead DIP add further to the MM57104's total system efficiency.

### features

- Enters  $\pm 9.9999999 \times 10^{99}$  to  $\pm 1 \times 10^{-99}$
- 9-position display: 5-digit mantissa plus sign and 2-digit exponent with sign
- Left justified entry with trailing zero suppression
- Selectable Reverse Polish Notation (RPN) or Algebraic notation with 2 levels of parentheses
- Arithmetic functions: +, -, X,  $\div$ ,  $1/X$ ,  $\sqrt{X}$ ,  $X^2$
- Constant operations in algebraic mode
- Power function:  $Y^X$
- Logarithmic functions: LN X, LOG X,  $e^X$ ,  $10^X$
- Trigonometric functions: SIN, COS, TAN,  $\text{SIN}^{-1}$ ,  $\text{COS}^{-1}$ ,  $\text{TAN}^{-1}$
- Full-function, addressable memory
- 4-register working stack with ROLL capability (RPN) or EQUAL with 2 levels of parentheses (algebraic)
- $\pi$ , change sign, clear, clear-all and exchange
- Auto power-on clear
- Degree/radian conversion
- Two output modes: floating or scientific

### sample keyboards



**absolute maximum ratings**

|  |                                   |
|--|-----------------------------------|
| Voltage at Any Pin Relative to $V_{SS}$<br>(All Other Pins Connected to $V_{SS}$ ) | $V_{SS} + 0.3V$ to $V_{SS} - 12V$ |
| Ambient Operating Temperature  | $0^{\circ}C$ to $+70^{\circ}C$    |
| Ambient Storage Temperature  | $-55^{\circ}C$ to $+125^{\circ}C$ |
| Lead Temperature (Soldering, 10 seconds)   | $300^{\circ}C$                    |

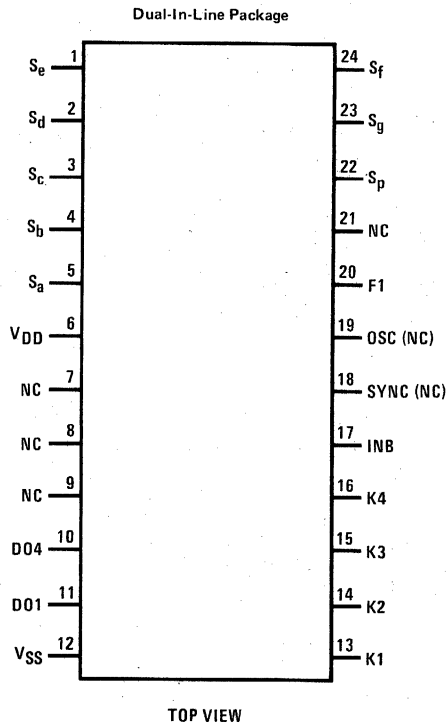
**dc electrical characteristics**  $0^{\circ}C \leq T_A \leq +70^{\circ}C$ ,  $7.9V \leq V_{SS} - V_{DD} \leq 9.5V$  unless otherwise stated

| PARAMETER   | CONDITIONS  | MIN            | TYP | MAX            | UNITS    |
|---|---|----------------|-----|----------------|----------|
| Operating Voltage ( $V_{SS} - V_{DD}$ )                           |   | 7.0            |     | 9.5            | V        |
| Operating Supply Current ( $I_{DD}$ )                             | $V_{SS} - V_{DD} = 9.5V$ , $T_A = 25^{\circ}C$<br>(Excluding Outputs) |                | 12  | 18             | mA       |
| K1–K4<br>Input Voltage Levels                                     |   |                |     |                |          |
| Logic High Level ( $V_{IH}$ )                                     | $V_{SS} - V_{DD} = 7.9V$  | $V_{SS} - 3.2$ |     | $V_{SS}$       | V        |
| Logic Low Level ( $V_{IL}$ )                                      | $V_{SS} - V_{DD} = 9.5V$  | $V_{SS} - 4.5$ |     | $V_{SS}$       | V        |
| Logic Low Level ( $V_{IL}$ )                                      |   |                |     | $V_{DD} + 1.5$ | V        |
| K1–K4 Input Current Levels<br>(Through Keyboard)                  |   |                |     |                |          |
| Input High Level ( $I_{IH}$ )                                     | $V_{IH} = V_{SS} - 3.2V$  |                |     | -350           | $\mu A$  |
| D01, D04 Output Voltage<br>Levels (Encoded Digit)                 |   |                |     |                |          |
| Logic High Level ( $V_{OH}$ )                                     | $R_L = 150 k\Omega$   | $V_{SS} - 1.0$ |     | $V_{SS}$       | V        |
| Logic Low Level ( $V_{OL}$ )                                      | $I_{OL} = 3 \mu A$  | $V_{DD}$       |     | $V_{DD} + 0.5$ | V        |
| Logic High Level Current ( $I_{OH}$ )                             | $V_{SS} - V_{DD} = 7.9V$<br>$V_{OH} = V_{DD} + 1.5V$                  |                |     | -260           | $\mu A$  |
| $S_a$ – $S_g$ and $S_p$ Output Current Levels                     |   |                |     |                |          |
| Logic High Level Current ( $I_{OH}$ )                             | $V_{OH} = V_{DD} + 3V$  |                |     |                |          |
| Open Drain Outputs  |   | -20            | -10 | -5             | mA       |
| Sync Output Voltage Levels<br>(With Load and Driver to $V_{DD}$ ) |   |                |     |                |          |
| Logic High Level ( $V_{OH}$ )                                     | $V_{SS} - V_{DD} = 7.9V$  |                |     |                |          |
| Logic Low Level ( $V_{OL}$ )                                      | $I_{OH} = -100 \mu A$   | $V_{SS} - 0.5$ |     | $V_{SS}$       | V        |
| Logic Low Level ( $V_{OL}$ )                                      | $I_{OL} = 15 \mu A$   | $V_{DD}$       |     | $V_{DD} + 3.7$ | V        |
| F1 Output Voltage Levels  |   |                |     |                |          |
| Logic High Level ( $V_{OH}$ )                                     | $I_{OH} = -30 \mu A$  | $V_{SS} - 1.5$ |     |                | V        |
| Logic Low Level ( $V_{OL}$ )                                      | $I_{OL} = 3 \mu A$  |                |     | $V_{DD} + 1.0$ | V        |
| Osc. Output Current Levels<br>(Output with Load to $V_{DD}$ )     |   |                |     |                |          |
| Logic High Level Current ( $I_{OH}$ )                             | $V_{OH} = V_{DD} + 1.5V$  |                |     | -1.0           | mA       |
| Logic Low Level Current ( $I_{OL}$ )                              | $V_{OL} = V_{DD} + 0.5V$  | 3.0            |     |                | $\mu A$  |
| Keyboard Key Resistance ( $R_{KEY}$ )<br>(K1–K4)                  | LED Display Interface   |                |     | 200            | $\Omega$ |

**ac electrical characteristics**  $0^{\circ}\text{C} \leq T_A \leq +70^{\circ}\text{C}$ ,  $7.9\text{V} \leq V_{SS} - V_{DD} \leq 9.5\text{V}$  unless otherwise stated

| PARAMETER   | CONDITIONS  | MIN  | TYP | MAX  | UNITS |
|---|---|------|-----|------|-------|
| Osc. Output Frequency   |   | 130  |     | 450  | kHz   |
| Osc. Duty Cycle ( <i>Figure 2</i> )   |   | 33   | 56  | 68   | %     |
| K1–K4, INB  |   |      |     |      |       |
| Input Timing  |   |      |     |      |       |
| t <sub>SK</sub>   |   | 1.75 |     |      | μs    |
| t <sub>LK</sub>   |   | 1.0  |     |      | μs    |
| F1 Output Timing  | C <sub>LOAD</sub> = 100 pF  |      |     | 4.4  | μs    |
| t <sub>pdf</sub>  |   |      |     |      |       |
| Sync. Output Timing   |   |      |     |      |       |
| Interval (t <sub>B</sub> , Bit Time)  |   | 8.8  |     | 30   | μs    |
| t <sub>pdsL</sub>   | C <sub>L</sub> = 250 pF   | 0.1  |     | 1.65 | μs    |
| t <sub>pdsH</sub>   |   | 0.1  |     | 1.25 | μs    |
| t <sub>HS</sub>   |   | 0.1  |     | 0.8  | μs    |
| D01, D04 Output Timing  | C <sub>L</sub> = 100 pF (D01–D04)<br>C <sub>L</sub> = 250 pF (S0) |      |     |      |       |
| t <sub>pd</sub>   |   | 0.5  |     | 4.0  | μs    |
| S <sub>a</sub> –S <sub>g</sub> , S <sub>p</sub> Output Timing (t <sub>pdSEG</sub> ) |   |      |     | 6.0  | μs    |
| Interdigit Blanking Time (T1)   |   |      |     | 7.5  | μs    |

**connection diagram**



Order Number MM57104N  
See Package 22

## functional description

### REGISTER CONFIGURATION

The user has access to 5 registers designated X, Y, Z, T, and M. X is the display and entry register and the bottom of an "operational" stack that includes Y, Z and T. M is an independent user-addressable memory register that can be stored, recalled, added, multiplied, subtracted or divided with X. In the algebraic mode, Z and T are used as parenthesis registers.

All registers contain 8 mantissa digits with sign and 2 exponent digits with sign.

### DISPLAY CONFIGURATION

The X-register is always displayed and shown as 8 digits of mantissa with sign or 5 digits of mantissa with sign and 2 digits of exponent with sign. Numbers are entered left justified with trailing zeros suppressed.

### DISPLAY FORMAT

Floating point display output format is "F", "CS". If X is greater than 99999999. or less than 0.001, the display is in scientific notation.

By pressing "F", "EE" all results are displayed in scientific notation.

### READY SIGNAL OPERATION

Output F1 of the MM57104 can be used as a "ready signal" to indicate calculator status. It can be useful in providing synchronization information during testing and if used with other logic.

When the calculator is in the "idle state" and ready to accept a key, F1 is high (near  $V_{SS}$ ). It remains high until a key is depressed and accepted, then goes low. It goes low until the calculator is complete then goes high again to indicate that a new key may be entered.

### KEYBOUNCE AND NOISE REJECTION

When a key is depressed, a time-out is started. A key is accepted as valid if it remains depressed for approximately 12 ms. The key must be released for at least 12 ms before a new key can be entered.

### ERROR CONDITIONS AND INDICATION

In the event of an illegal operation, the calculator will display "Error" and X will be cleared. Any key depressed after an error will use X = 0 for the next operator. Table 1 summarizes results and operations that will give an error indication.

### RANGE ACCURACY AND SPEED

All functions work over the full mathematically allowable range as defined by the error conditions.

All functions take less than 1 second and are accurate to 8 digits.

### ALGEBRAIC OR RPN SELECTION

Leaving pin 17 (INB) open selects algebraic. Connect pin 17 to  $V_{SS}$  to select RPN.

TABLE 1. Results and Operations Resulting in an Error Indication

|  |
|--|
| Results $> 9.9999999 \times 10^{99}$               |
| Results $< 1 \times 10^{-99}$                      |
| Division by 0                                      |
| LOG, LN $< 0$                                      |
| TAN, SIN, COS $> 9000^\circ$                       |
| TAN $90^\circ$ , $270^\circ$ , etc.                |
| SIN $^{-1}$ , COS $^{-1}$ $> 1$ or $\leq 10^{-50}$ |
| $\sqrt{X} < 0$                                     |
| More than two open parentheses without a close     |
| More close parentheses than open                   |

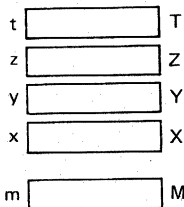


FIGURE 1. User Register Configuration



**functional description** (Continued)**KEY OPERATION****Clear Key, "C"**

- a) In RPN mode: Pushes down stack and clears T. Four "C" depressions will clear a completely full stack
- b) After "F": Clears all registers including the memory
- c) In algebraic mode after number key: Copy Y to X
- d) In algebraic mode after function key: Clears all modes and all registers except M

**Number Keys, "0" ~ "9", ".", "**

- a) In RPN mode after any function key except "EN": Copies X to Y and clears X and enters number left justified to X
- b) After any number key: Enters next digit  $\rightarrow$  X. All entries after eighth are ignored
- c) After "EE": Enters number to exponent. Last 2 entries are used
- d) After "EN": Clears X and enters number in X
- e) In algebraic mode, after function key: Clears X and enters number

**Change Sign Key, "CS"/"FLT"**

- a) After "EE": Change sign of exponent of X
- b) After "F": Set floating point mode
- c) After any other key: Changes sign of X mantissa

**"F" "9" Reciprocal/"1/X"**

Reciprocal of X to X

**"F" "8" Power Key, "YX"**

- a) In RPN mode: Computes  $Y^X$  power, pushes down stack, clears T
- b) In algebraic mode, not in chain mode: Copy X to Y, set  $Y^X$  chain mode
- c) In algebraic mode, in chain mode: Perform the specified function of X and Y, putting the result to both X and Y, set  $Y^X$  chain mode

**Enter Key, "EN", RPN Only**

- a) Pushes up stack, retains X
- b) After F: (CF) resets F mode

**Second Function Key, "F"**

Sets F mode

**Memory Recall/Memory Store, "MR/MS"**

- a) In RPN mode: Pushes up stack, recall memory to X
- b) In algebraic mode: Recall X to M
- c) After F: Copy X to M

**Enter Exponent/Scientific Notation Key, "EE"/"SCI"**

- a) Sets enter exponent mode, displaying 00 in exponent position
- b) After F: Set calculator to scientific notation

**"X<sup>2</sup>"/"√" Key, RPN Only**

- a) X squared to X
- b) After F: Square root of X to X

**Stack Rotate Key "ROLL"/"DEG" Key, RPN Only**

- a) Rolls stack down
- b) After F: Convert radians to degrees

**"F", "." Exchange Key, "X $\leftrightarrow$ Y"**

Exchanges X and Y

**"F", "5" Common Log Key**

Common logarithm of X to X (Base 10)

**"F" "6" 10<sup>X</sup> Key**

$10^X$  to X

**"F" "2" Natural Log Key**

Natural logarithm of X to X (base e)

**"F" "3" e<sup>X</sup> Key**

$e^X$  to X

**Trigonometric Keys, "F" "0", "F" "1", "F" "4" "SIN", COS, TAN"**

- a) Replaces the decimal angle in X with the indicated trigonometric function
- b) After ARC: ( $\text{SIN}^{-1}$ ,  $\text{COS}^{-1}$ ,  $\text{TAN}^{-1}$ ), replaces X with the decimal angle of the indicated inverse trigonometric function

**The Four Function Keys, "+, -, X,  $\div$ ", In RPN Mode**

- a) Add key, "+":  $Y + X \rightarrow X$   
Subtract key, "-":  $Y - X \rightarrow X$   
Multiply key, "X":  $Y \times X \rightarrow X$   
Divide key, " $\div$ ":  $Y/X \rightarrow X$   
Then push down stack and clear T  
 $0 \rightarrow T \rightarrow Z \rightarrow Y$
- b) After F:
  - + :  $X + M$  to M
  - :  $M - X$  to M
  - X :  $\pi$  to X
  - $\div$  : Convert X from degrees to radians

**functional description** (Continued)

**The Four Function Keys, "+", "-", "X", "÷", In Algebraic Mode**

- a) If not in chain mode: Copy X to Y, set the specified chain mode
- b) After "+, -, X, ÷" key: Copy X to Y, set chain mode
- c) In chain mode: Perform the specified function of X and Y putting the result to X and Y, set the specified chain mode

**"F" "7" ARC Key**

Set ARC mode

**Equal Key "=", Algebraic Mode Only**

- a) In chain mode: Perform the specified function of X and Y putting the result to X' and save the last number displayed in Y, set the constant mode
- b) In constant mode: Perform the specified function of X, Y putting the result in X
- c) After F: (CF) reset F mode

**Open Parenthesis, "[(", Algebraic Mode Only**

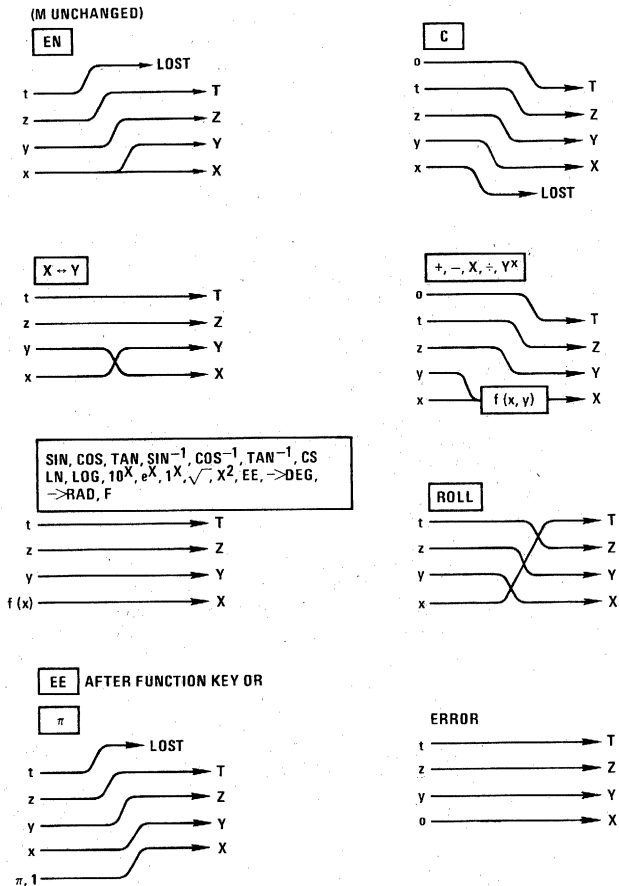
- a) Copy X, T copy X to Z, copy P mode to P2 mode: Copy the calculator mode to P1 mode, reset calculator mode
- b) After F: Square root of X to X

**Close Parenthesis ")]", Algebraic Mode Only**

- a) In chain mode: Perform the specified function of X, Y putting the result to X. Copy Z to Y, copy T to Z, clear T2. Copy P2 mode to P1 mode, copy P1 mode to the calculator mode, reset P2 mode
- b) Not in chain mode: Z to Y, T to Z, clear T. P1 mode to calculator mode, P2 mode to P1 mode, reset P2 mode
- c) After F: Convert radians to degrees

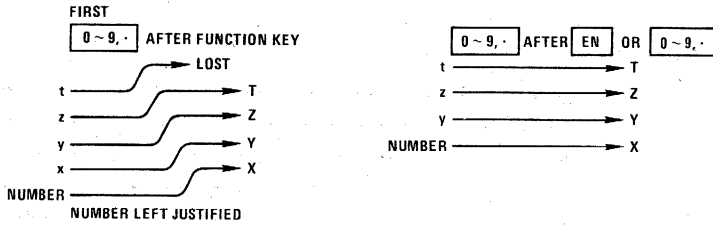
**summary**

**Stack Operations in RPN Mode**

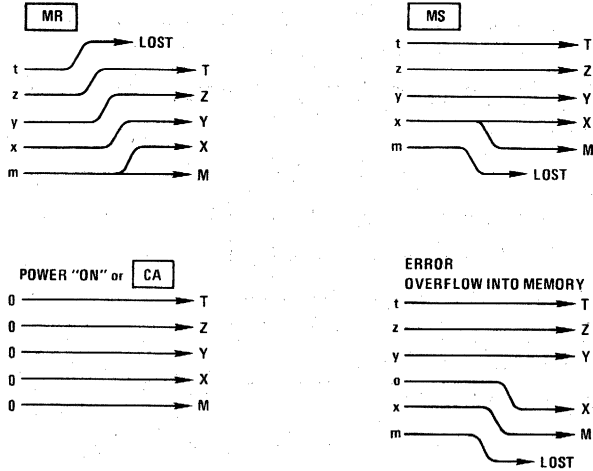


summary (Continued)

Stack Operations in RPN Mode (Continued)



Operations Using Memory (s)



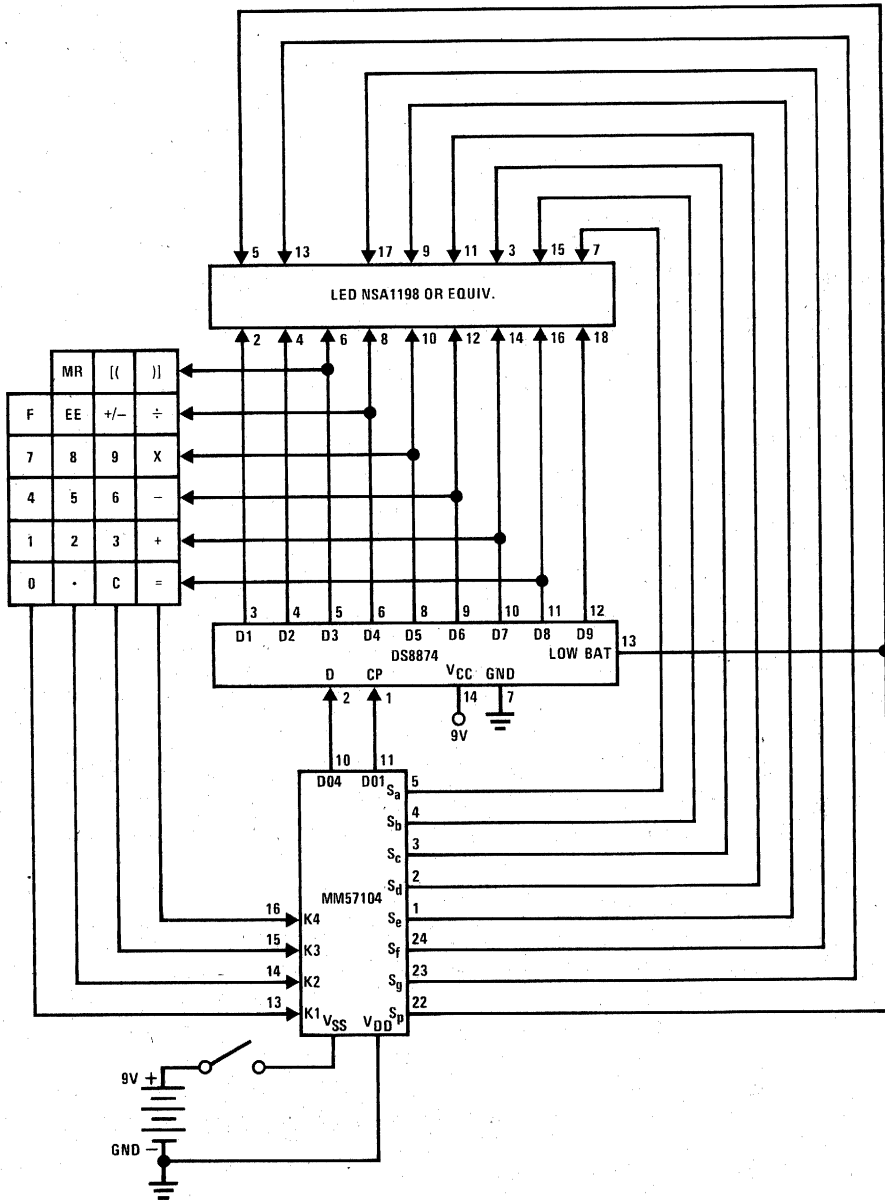
Example Showing Parenthesis Registers and Modes in Algebraic Mode

$$6 \times (2(8-5) + 2)$$

|                 | X  | Y & MODE        | P1<br>Z & MODE  | P2<br>T & MODE |
|-----------------|----|-----------------|-----------------|----------------|
| 6               | 6  |                 |                 |                |
| X               | 6  | 6x              |                 |                |
| (               | 6  | 6               | 6x              |                |
| 2               | 2  | 6               | 6x              |                |
| FY <sup>x</sup> | 2  | 2Y <sup>x</sup> | 6x              |                |
| (               | 2  | 2               | 2Y <sup>x</sup> | 6x             |
| 8               | 8  | 2               | 2Y <sup>x</sup> | 6x             |
| -               | 8  | 8-              | 2Y <sup>x</sup> | 6x             |
| 5               | 5  | 8-              | 2Y <sup>x</sup> | 6x             |
| )               | 3  | 2Y <sup>x</sup> | 6x              |                |
| +               | 8  | 8+              | 6x              |                |
| 2               | 2  | 8+              | 6x              |                |
| )               | 10 | 6x              |                 |                |
| =               | 60 | 10x (constant)  |                 |                |

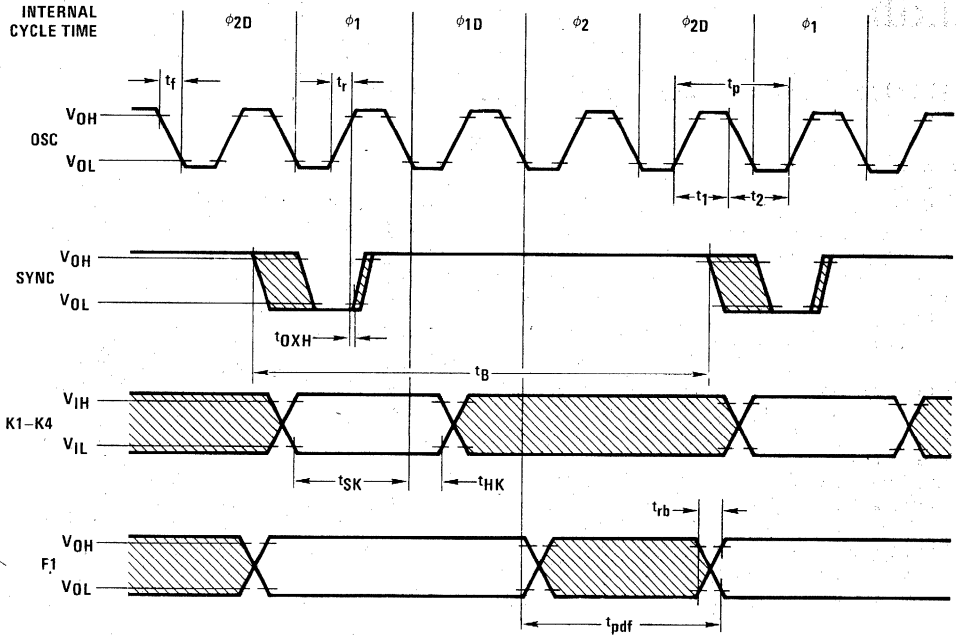
# system interconnection diagram

MM57104



8

switching time waveforms



Note. OSC Duty Cycle =  $\frac{t_1}{t_1 + t_2} = \frac{t_1}{t_p}$

FIGURE 2(a). Input/Output Timing Diagram

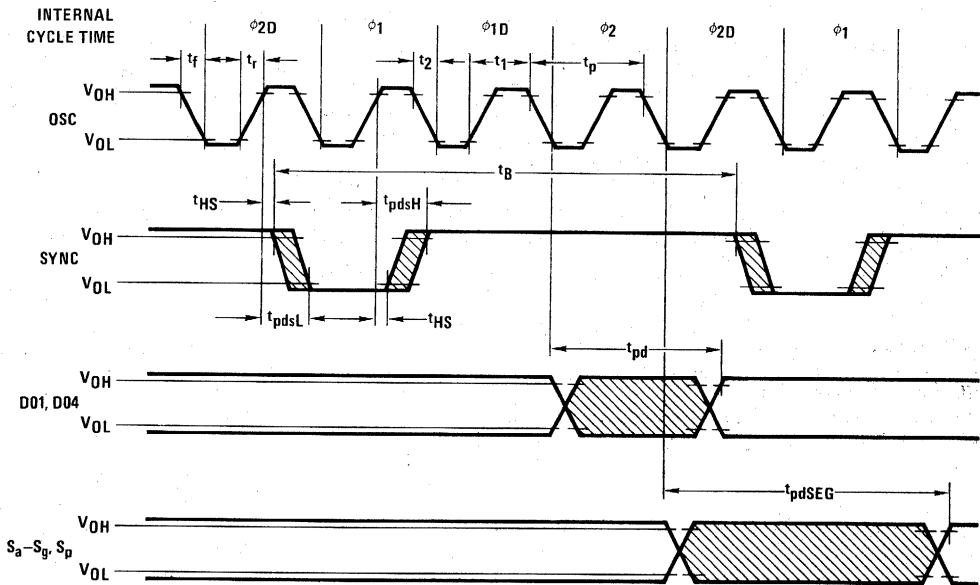


FIGURE 2(b). Input/Output Timing Diagram



## MM57123 business/financial calculator circuit

### general description

The single-chip MM57123 Business and Financial Calculator was developed using a metal-gate, P-channel enhancement and depletion-mode MOS/LSI technology with low end-product cost as a primary objective. A complete calculator as shown in *Figure 1* requires only the MM57123, a keyboard, digit driver, LED display, 9V battery and appropriate hardware.

Keyboard decoding and key debounce circuitry, all clock and timing generation and 7-segment output display encoding are included on-chip and require no external components. Segments can usually be driven directly from the MM57123, as it typically sources about 8.5 mA of peak current.

An internal power-on clear circuit is included that clears all registers, including the memory, when VDD and VSS are initially applied to the chip.

Trailing zero suppression allows convenient reading of the left justified display, and conserves power; typical current drain of a complete calculator displaying five "5's" is 30 mA. Automatic display cutoff is also included: if no key closure occurs for approximately 35 seconds, all numbers are blanked and all decimal points are displayed.

The Ready output signal is used to indicate calculator status. It is useful in providing synchronization information for testing or applications where the MM57123 is used with other logic or integrated circuits; e.g., with the MM5765 Programmer (*Figure 3*).

Twenty-two dual-function keys are arranged in a three-by-nine matrix as shown in *Figure 1*. There are the standard four-function keys (+, -, x, ÷), Change Sign, Exchange X and Y, Percent,  $\sqrt{x}$ , Power, four accumulating memory control keys, plus 12 unique business or financially oriented computation keys; an automatic constant feature is also included.

The MM57123 is physically and electrically compatible with the MM5767 slide-rule calculator IC so that two different models can be produced using the exact same components, even the keyboard; only the keyboard overlay need be changed to show respective keystroke functions.

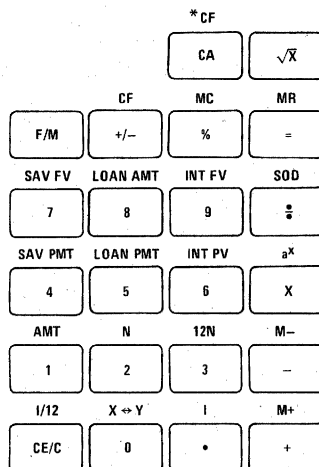
The user has access to six registers designated X, Y, A, I, N and M. The X-register is used for keyboard entry and display. The Y and A-registers are used in multiply/divide and add/subtract calculations, respectively. Interest values are held in the I-register and the N-register stores the number of time periods in financial calculations. M is an accumulating storage memory and is completely independent of the others.

Data is entered into the calculator in floating point business notation. All entries and results are displayed as floating point, left justified with insignificant zeros to the right of the decimal point suppressed.

### features

- Complete business and financial capability
  - Arithmetic functions: +, -, x, ÷
  - Power function:  $Y^X$  (power)
  - Live percent
  - Sum-of-digits capability for computing depreciation or "Rule of 78's" loan costs
  - Financial functions:
    - ▲ "N" keys enter number of periods
    - ▲ "I" keys enter interest rate per period
    - ▲ "AMT" key enters given amount
    - ▲ "INT" keys compute PV or FV (compound interest)
    - ▲ "SAV" keys compute deposit or sinking fund amounts
    - ▲ "LOAN" keys compute payment or loan amounts
- Accumulating memory
- Automatic constant
- Convenient business (adding machine) entry notation
- Eight full digits
- Power-on clear
- Automatic display cutoff

### keyboard outline



\*Optional

**absolute maximum ratings**

|   |   |
|---|---|
| Voltage at Any Pin Relative to V <sub>SS</sub><br>(All other pins connected to V <sub>SS</sub> ). | V <sub>SS</sub> + 0.3V to V <sub>SS</sub> - 12V |
| Ambient Operating Temperature   | 0°C to +70°C                                    |
| Ambient Storage Temperature   | -55°C to +150°C                                 |
| Lead Temperature (Soldering, 10 seconds)  | 300°C   |

**operating voltage range**

$$6.5V \leq V_{SS} - V_{DD} \leq 9.5V$$

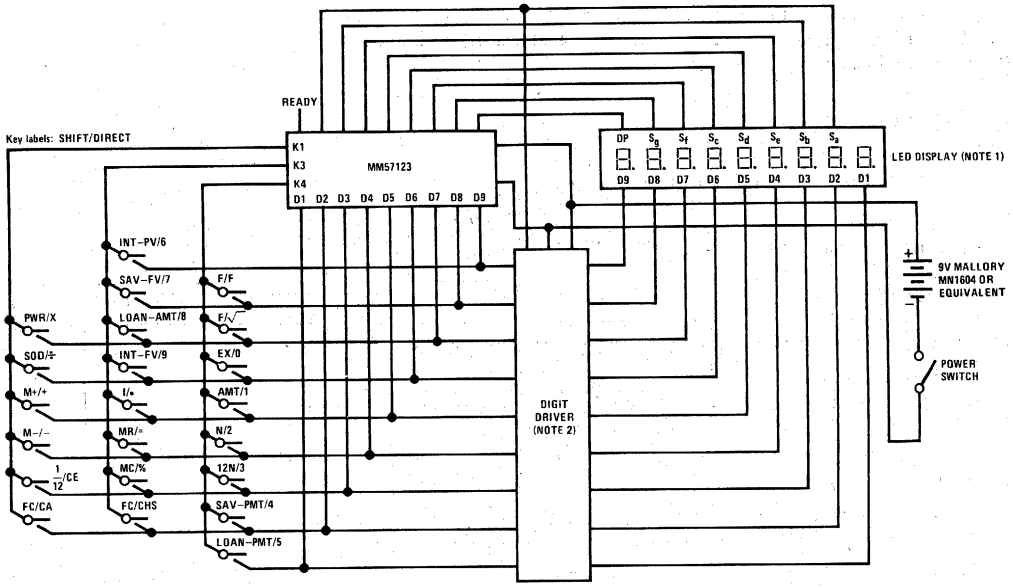
V<sub>SS</sub> is always defined as the most positive supply voltage

**dc electrical characteristics**

| PARAMETER   | CONDITIONS  | MIN                  | TYP           | MAX  | UNITS          |
|---|---|----------------------|---------------|--|----------------|
| Operating Supply Current (I <sub>DD</sub> )   | V <sub>DD</sub> = V <sub>SS</sub> - 9.5V, T <sub>A</sub> = 25°C   |                      | 8.0           |  | mA             |
| Keyboard Scan Input Levels<br>(K1, K2, and K4)                                      | V <sub>SS</sub> - 6.5V ≤ V <sub>DD</sub> ≤ V <sub>SS</sub> - 9.5V   | V <sub>SS</sub> -2.5 |               |  |                |
| Logical High Level  | V <sub>DD</sub> = V <sub>SS</sub> - 6.5V  |                      |               | V <sub>SS</sub> -5.0                         | V              |
| Logical Low Level   | V <sub>DD</sub> = V <sub>SS</sub> - 9.5V  |                      |               | V <sub>SS</sub> -6.0                         | V              |
| Digit Output Levels   |   |                      |               |  |                |
| Logical High Level (V <sub>OH</sub> )   | R <sub>LOAD</sub> = 3.2 kΩ to V <sub>DD</sub><br>V <sub>SS</sub> - 6.5V ≤ V <sub>DD</sub> ≤ V <sub>SS</sub> - 9.5V  | V <sub>SS</sub> -1.5 |               |  |                |
| Logical Low Level (V <sub>OL</sub> )  | V <sub>DD</sub> = V <sub>SS</sub> - 6.5V<br>V <sub>DD</sub> = V <sub>SS</sub> - 9.5V  |                      |               | V <sub>SS</sub> -6.0<br>V <sub>SS</sub> -7.0 | V<br>V         |
| Segment Output Current<br>(S <sub>a</sub> through S <sub>g</sub> and Decimal Point) | T <sub>A</sub> = 25°C<br>V <sub>OUT</sub> = V <sub>SS</sub> - 3.6V, V <sub>DD</sub> = -6.5V<br>V <sub>OUT</sub> = V <sub>SS</sub> - 5V, V <sub>DD</sub> = 8V<br>V <sub>OUT</sub> = V <sub>SS</sub> - 6.5V, V <sub>DD</sub> = 9.5V | -5.0                 | -8.5<br>-10.0 | -15.0  | mA<br>mA<br>mA |
| Ready Output Levels   |   |                      |               |  |                |
| Logical High Level (V <sub>OH</sub> )   | I <sub>OUT</sub> = -0.4 mA  | V <sub>SS</sub> -1.0 |               |  | V              |
| Logical Low Level (V <sub>OL</sub> )  | I <sub>OUT</sub> = 10 μA  |                      |               | V <sub>DD</sub> -1.0                         | V              |

**ac electrical characteristics**

| PARAMETER   | CONDITIONS   | MIN  | TYP  | MAX | UNITS |
|---|--|------|------|-----|-------|
| World Time  | (Figure 2)   | 0.32 | 0.75 | 2.0 | ms    |
| Digit Time  | (Figure 2)   | 36   | 83   | 220 | μs    |
| Segment Blanking Time   | (Figure 2)   | 2    | 4.5  | 14  | μs    |
| Digit Output Transition Time<br>(t <sub>RISE</sub> and t <sub>FALL</sub> )  | C <sub>LOAD</sub> = 100 pF<br>R <sub>LOAD</sub> = 9.6 kΩ |      | 2    |     | μs    |
| Keyboard Inputs High to Low<br>Transition Time after Key Release  | C <sub>LOAD</sub> = 100 pF                               |      | 4    |     | μs    |
| Ready Output Propagation Time   | (Figure 4)   |      |      |     |       |
| Low to High Level (t <sub>PDH</sub> )   | C <sub>LOAD</sub> = 100 pF                               | 10   |      | 50  | μs    |
| High to Low Level (t <sub>PDL</sub> )   | C <sub>LOAD</sub> = 100 pF                               |      |      | 1   | ms    |
| Key Input Time-out  | (Figure 5)   |      |      |     |       |
| Key Entry   |  | 2.8  | 7.0  | 18  | ms    |
| Key Release   |  | 5.1  | 12   | 32  | ms    |
| Display Cutoff Time<br>(The time after the last valid key closure that all numbers will be blanked and all decimal points displayed). |  | 15   | 35   | 92  | sec   |



Note 1: Display: Use NSA1198, NSA1298 or NSA0098.  
 Note 2: Driver: Use DS8864 or DS8873 (with low-battery indicator), or DS8855 or DS8872 (without low-battery indicator).

FIGURE 1. Complete Calculator Schematic

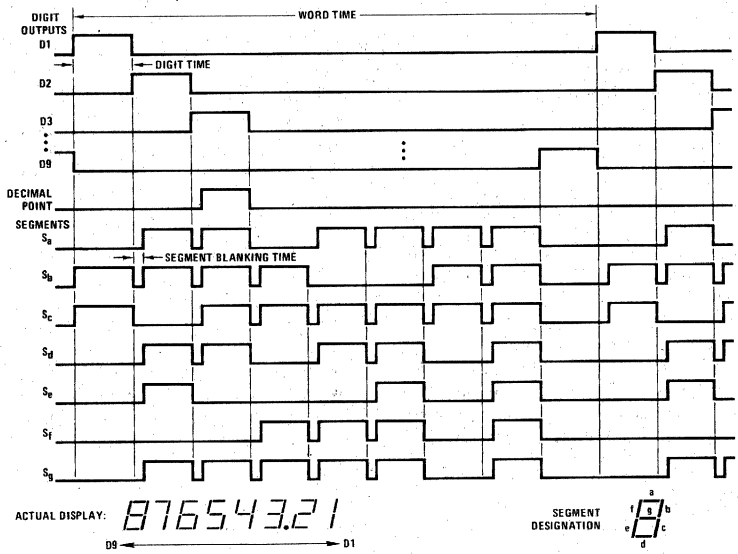


FIGURE 2. Display Timing Diagram



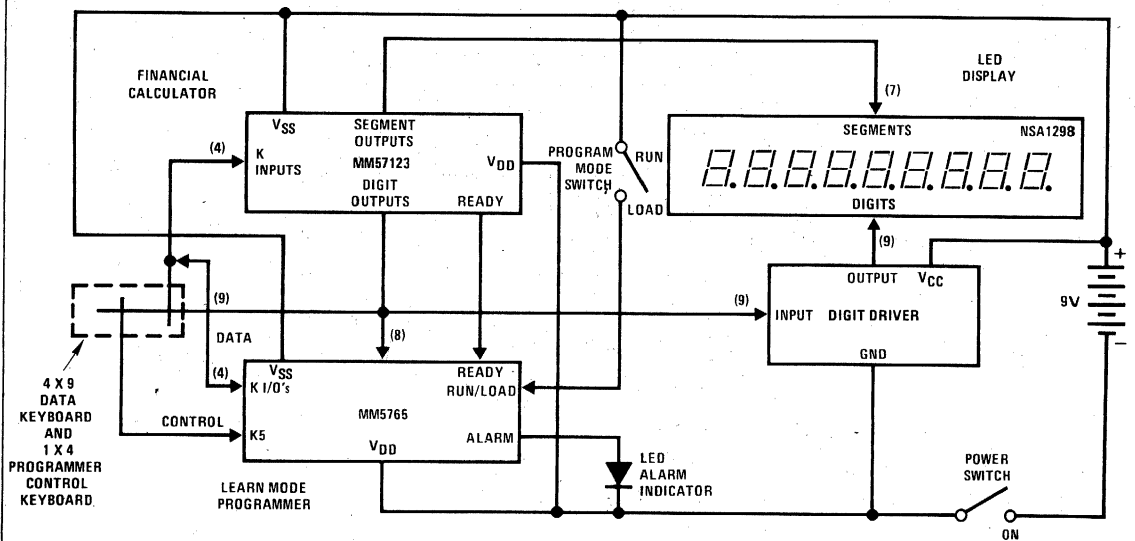


FIGURE 3. Low Cost Hand-Held Programmable Financial Computer Using the MM57123 Calculator and MM5765 Programmer

### KEYBOARD BOUNCE AND NOISE REJECTION

The MM57123 is designed to interface with most low cost keyboards, which are often the least desirable from a false or multiple entry standpoint.

A key closure is sensed by the calculator chip when one of the key inputs, K1, K3 or K4 are forced more positive than the Logical High Level specified in the electrical specifications. An internal counter is started as a result of the closure. The key operation begins after nine word times if the key input is still at a Logical High Level. As long as the key is held down (and the key input remains high) no further entry is allowed. When the key input changes to a Logical Low Level, the internal counter starts a sixteen word time-out for key release. During both entry and release time-outs the key inputs are sampled approximately every other word time for valid levels. If they are found invalid, the counter is reset and the calculator assumes the last valid key input state.

One of the popular types of low-cost keyboards available, the elastomeric conductor type, has a key pressure versus contact resistance characteristic that can generate continuous noise during "teasing" or low pressure key depressions. The MM57123 defines a series contact resistance up to 50 k $\Omega$  as a valid key closure, assuring a reliable interface for that type of keyboard.

### AUTOMATIC DISPLAY CUTOFF

If no key is depressed for approximately thirty-five seconds, an internal automatic display cutoff circuit will blank all segments and display nine decimal points. Any key depression will restore the display; to restore the display without modifying the status of the calculator, use two Change Sign "+/-" key depressions.

### READY SIGNAL OPERATION

The Ready signal indicates calculator status. When the calculator is in an "idle" state, the output is at a Logical High Level (near V<sub>SS</sub>). When a key is closed, the internal key entry timer is started. Ready remains high until the time-out is completed and the key entry is accepted as valid, then goes low as indicated in *Figures 4 and 5*. It remains at a Logical Low Level until the function initiated by the key is completed and the key is released. The low to high transition indicates the calculator has returned to an idle state and a new key can be entered.

### ERROR INDICATION

In the event of an operating error, the MM57123 will display all zeros and all decimal points. The error indication occurs if division by zero is attempted or either a result or intermediate value exceeds 99999999.

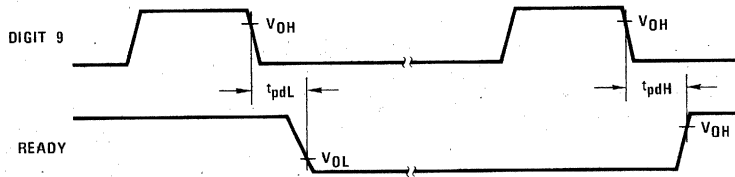


FIGURE 4. Ready Timing

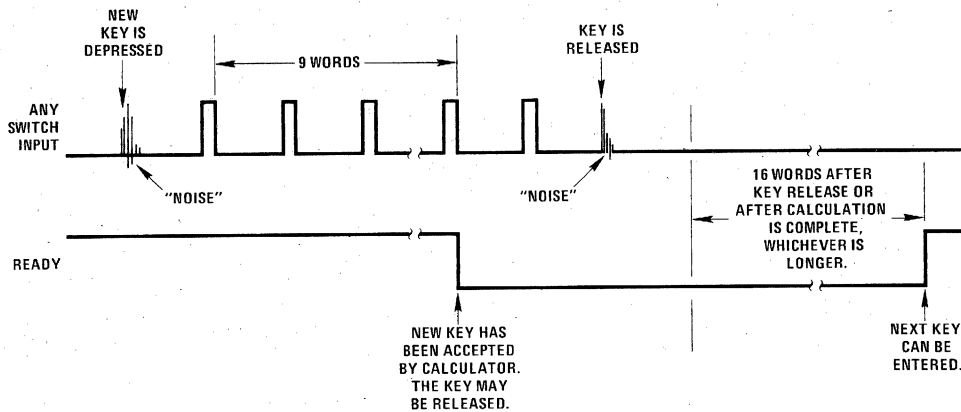


FIGURE 5. Functional Description of Ready Signal and Key Entry

The indication is cleared by depressing any key.

If an error results from a "+" or "-" key, the X-register is cleared and the last entry is saved in the A-register; all other registers are not effected. An error condition during "x" or "÷" operations clears X without changing any of the other registers.

Overflow as a result of the "POWER," "INT," "SAV" or "LOAN" keys clears the X-register and destroys the values in N, I and A. Y is not changed.

An attempt to raise a negative number to a power will cause the error indication to appear, the X-register will be cleared and the exponent will be stored in Y. The other registers are not changed.

Overflow as a result of "M+" destroys the value stored in M, clears X and displays the error indication. Calculations are immediately stopped and other registers are not cleared.

#### AUTOMATIC CONSTANT

The MM57123 retains as a constant the first factor of a multiplication calculation or the second factor of a division calculation, when that calculation is terminated by an "=" key or "%" key. Subsequent calculations using the stored constant are made by entering a number and operating upon it with the appropriate

terminator ("=", or "%" key). The Y-register is used to store the constant in the constant mode of operation.

The calculator automatically changes to the chain mode when an "x" or "÷" key occurs in the calculation. In the chain mode, the result of each "x" or "÷" key is stored in both X and Y-registers. A new entry replaces X without altering Y. At the completion of a chain calculation, the Y-register will contain the value used as first factor of the last multiply, or the latest entry if the last operation was a divide.

Table I summarizes the four modes.

#### KEY OPERATIONS

(Note: Register X is always displayed.)

##### Clear Entry Key, "CE"

Following a number entry or an "MR" key, it clears the X-register only (clear entry). Following any other key it clears registers X, Y and A.

##### Clear All Key, "CA"

Pressing "CA" once clears all registers including M (memory).

### Number Entries

The first entry clears the X-register and enters the number into the LSD of X. Second through eighth entries (excluding a decimal point) are entered one digit to the right of the last number. The ninth, and subsequent entries are ignored. First entry after a "+", "-", "M+", or "M-" following a "+" or "-" key causes the number in the X-register to be transferred to the A-register before clearing and placing the new entry in X.

### Decimal Point, "."

At the first depression of a number entry, it clears the X-register and places a point in the leftmost digit. If the previous key was a number, it enters a decimal point to the right of the last number entered. Following a "+", "-", or those keys preceding a "M+" or "M-" key, the X-register is transferred to A, cleared and a decimal point entered in the leftmost digit. The last decimal point depression in a single number entry is accepted as the valid point.

### Change Sign Key, "+/-"

Changes sign of register X.

### Addition Key, "+"

If the previous key was not a "+" or "-" key, the number in the A-register is added to the X-register, X is transferred to A, and the sum is stored in X. When the last key was a "+" or "-" key, the number in A is added to the number in X without destroying the value of A. The sum is stored in X.

### Subtraction Key, "-"

If the previous key was not a "+" or "-" key, the number in the X-register is subtracted from the number in the A-register, X is transferred to A, and the difference is stored in X. When the last key was a "+" or "-" key, the number in A is subtracted from X without destroying the value of A. The result is stored in X.

### Multiplication Key, "x"

If there has not been a "x" or "÷" key since the last terminator key ("=" or "%"), the value of the X-register is copied into the Y-register and the calculator is set to the chain multiply mode. In a chain calculation in which there has been an "x" key since the last terminator ("÷" key, X is multiplied by Y and the resulting product is stored in both X and Y; if a "÷" key has occurred since the last terminator or "x" key, depression of "x" will divide the Y-register by the X-register, with the quotient stored in both X and Y.

### Division Key, "÷"

If there has not been an "x" or "÷" key since the last terminator key ("=" or "%"), the value of the X-register is copied into the Y-register and the calculator is set to the chain divide mode. In a chain calculation, if an "x" key has occurred since the last terminator or "÷" key, X is multiplied by Y and the product is stored in both X and Y; if a "÷" key has occurred since the last terminator or "x" key, depression of "÷" will divide the Y-register by the X-register, with the quotient stored in both X and Y.

TABLE I. Mode Summary

| MODE                 | KEYS THAT SET MODE  | DESCRIPTION<br>(See Calculation Examples)   |
|----------------------|---|---|
| CONSTANT<br>MULTIPLY | CE<br>= } With calculator previously<br>% } in chain multiply<br>PWR<br>SOD<br>INT<br>SAV<br>LOAN | Depression of an "=" or "%" key will multiply the X-register by the Y-register and replace X with the product. Y remains unchanged. |
| CHAIN<br>MULTIPLY    | X<br>Following a terminator or<br>"÷" or "x" operation  | Depression of an "=" or "%" key will multiply the X-register by the Y-register and place the product in X. Y remains unchanged.     |
| CONSTANT<br>DIVIDE   | = } With calculator previously<br>% } in chain multiply   | Depression of an "=" or "%" key will divide the X-register by the Y-register and replace X with the quotient. Y is unchanged.       |
| CHAIN<br>DIVIDE      | ÷<br>Following a terminator or<br>"÷" or "x" operation  | Depression of an "=" or "%" key will divide the Y-register by the X-register, transfer X to Y, and place the quotient in X.         |

**Equal Key, "="**

In the chain multiply mode, the value in the X-register is multiplied by the Y-register with the product stored in X. Register Y remains unchanged. In the chain divide mode, depression of "=" will divide Y by X, transfer X to Y, and place the quotient in X. If the calculator is in constant multiply, "=" will multiply X by Y, place the product in X and retain Y. For constant divide, the X-register is divided by Y, the quotient is stored in X; Y is unchanged.

**Percent Key, "%"**

This key acts exactly like the "=" key except the value of X is copied into A, then divided by 100 before performing the required operation.

**Square-root Key, " $\sqrt{\quad}$ "**

Depression of this key will compute the square-root of the number contained within the X-register; no other registers are affected. The same results can be achieved by using the power "PWR" key (requires extra key-strokes) as shown in example 12; this allows producing a 20-key calculator (leaving off "CA" and " $\sqrt{\quad}$ ") with no sacrifice in performance.

**Function Key, "F"**

Depression of this key shifts the entry scheme from a direct or "primary" function mode to the secondary function or "shift key" mode.

**Memory Plus Key, "M+" (shift mode)**

The number in the X-register is accumulated into the M-register. Registers X and A are not changed, so the repeat addition or subtraction conditions that existed before accumulation to memory are still valid.

**Memory Recall Key, "MR" (shift mode)**

Following "MR", the value of the M-register is copied into the X-register.

**Power Key, "PWR" (shift mode)**

When the calculator is in either the chain or constant multiply modes, depression of "PWR" raises the number in the Y-register to the power of the X-register and replaces X with the result. Thus, to raise two to the fifth power use the sequence: "2, X, 5, F, PWR." If the calculator is in the constant or chain divide modes, the value of Y is raised to the inverse of X power; i.e., the key sequence "5,  $\div$ , 2, F, PWR" results in the calculation of 5 raised to the 1/2 power. The original value of X is retained in Y and register A is cleared. The calculator is set to the constant multiply mode. Results computed with the "PWR" key are rounded to five places.

**Exchange Key, "EX" (shift mode)**

The X and Y-registers are exchanged. No other registers are effected.

**Interest Entry Keys "I" and "I/12" (shift mode)**

"I" divides the number by 100 and stores the quotient in X and the I-register. "I/12" divides by 1200 and stores the quotient in both X and I; i.e., the interest will be compounded monthly.

**Number of Periods Entry Keys, "N" and "12N" (shift mode)**

The "N" key copies X directly into register N. The "12N" key multiplies X by 12; the product is stored in register N and displayed in X.

**Amount Entry Key, "AMT" (shift mode)**

The value of the X-register is copied into the Y-register. No other registers are effected.

**"INT" (compound interest) Keys, "FV" and "PV" (shift mode)**

The "INT-FV" key will compute future value: the sum of money available at the end of n periods from the present date (N-register) that is equivalent to the present amount (Y-register) with interest i (I-register). The "INT-PV" key will compute present value: the sum of money necessary today to accumulate the future amount contained in Y over n periods stored in N at the interest rate per interest period that is stored in I. Thus, to compute future value, simply enter i, n, and amount in any order and press "INT-FV". For present value, press "INT-PV". Registers Y, N and I are not altered; X is replaced by the computed value and register A is cleared. The calculator is set to the constant multiply mode.

**Savings Deposit Keys, "SAV-PMT" and "SAV-FV" (shift mode)**

The "SAV-PMT" key will compute the amount to be deposited at the end of each period in a *sinking fund* for the number of periods, n, contained in register N, at an interest rate, i, contained in register I, compounded each time period, to accumulate the desired amount, contained in register Y. The "SAV-FV" key will compute the amount in a *sinking fund*. The number in Y is deposited at the end of n time periods (N-register) at an interest rate per time period i (I-register), compounded each time period. Thus, to compute the required *sinking fund deposit* to accumulate a desired amount over a given period of time, enter i, n and the amount in any order using the "I," "N" and "AMT" keys, then "SAV-PMT". To find the amount in the *sinking fund*, simply enter i, n and the periodic amount of deposit and press "SAV-FV". Registers N, I or Y are not altered by the calculation, register A is cleared and register X contains the computed value. The calculator is set to the constant multiply mode.

### Loan Installment Keys, "LOAN-PMT" and "LOAN-AMT" (shift mode)

The "LOAN-PMT" key will compute the end-of-period payment or receipt required over the number of time periods contained in the N-register at an interest rate per time period equal to the value in the I-register to support a loan equal to the amount stored in the Y-register. "LOAN-AMT" computes the amount that can be loaned for a given end-of-period payment stored in Y over the number of time periods contained in N at the interest rate per time period of I, compounded each time period. Thus, to compute the required installment on a given loan, enter the amount of the loan using the "AMT" key, the interest rate using "I" and the number of periods with "N", then press "LOAN-PMT". To compute how much can be borrowed given a fixed payment, enter the payment amount, number of periods and interest rate, then "LOAN-AMT". "AMT", "I", or "N" can always be entered in any order. Registers N, I or Y are not altered by the calculation; register A is cleared and register X will contain the computed value. The calculator is set to the constant multiply mode.

NOTE: in the above explanations, only "I" and "N" have been referenced for simplicity; these relate to interest per period ("I") and number of periods ("N"). In business sense, a period can be either one-month (i.e., interest compounded monthly) or one year (interest rate is compounded yearly; use the "I" key, if monthly, use the 1/12 key. Correspondingly, the "N" key (for number of periods) should be used whenever "I" is used and 12N whenever 1/12 is used. The only exception would be if the interest were given as monthly for a period of less than one year; in this case, use "I" and "N".

### Sum-of-Digits Key, "SOD" (shift mode)

Following a "+" or "-" key, it transfers the number in register X to register A and computes a *first sum-of-digits* depreciation on that number by multiplying it by the ratio of the number in the N-register to the sum-of-digits of N. The result is stored in X; the difference between the initial and final values of X, the *depreciable value*, is stored in registers Y and A. N is decremented by one. (Therefore, to find depreciable value, simply use the "EX" key.) Subsequent depressions of the "SOD" key will compute successive depreciation and depreciable value amounts using the original value of N and present values stored in N and A. N is decremented by one after each computation. The number to be depreciated (or the loan amount in a "Rule of 78's" interest calculation) is always entered with a "+" or "-" key and the number of periods with the "N" key, without regard to key order. If the key preceding "SOD" is not "+" or "-", the sum-of-digits computation is performed on the number in the A-register without the number in X first being transferred to A. Calculator mode is set to constant multiply.

### examples

1. Addition or Subtraction

|       |
|-------|
| 2.0   |
| 3.2   |
| -12.3 |

| KEYS | DISPLAY | COMMENTS |
|------|---------|----------|
| 2    | 2       |          |
| +    | 2.      |          |
| 3    | 3       |          |
| .    | 3.      |          |
| 2    | 3.2     |          |
| +    | 5.2     |          |
| 1    | 1       |          |
| 2    | 12      |          |
| .    | 12.     |          |
| 3    | 12.3    |          |
| -    | -7.1    |          |

Note adding machine notation

### 2. Repeat Add or Subtract

| KEYS | DISPLAY | COMMENTS |
|------|---------|----------|
| 3    | 3       |          |
| .    | 3.      |          |
| 1    | 3.1     |          |
| +    | 3.1     |          |
| +    | 6.2     |          |
| +    | 9.3     |          |
| -    | 6.2     |          |

### 3. Chain Multiplication or Division

| KEYS | DISPLAY | COMMENTS |
|------|---------|----------|
| a) 1 | 1       |          |
| x    | 1.      |          |
| 2    | 2       |          |
| x    | 2.      |          |
| 3    | 3       |          |
| .    | 3.      |          |
| 1    | 3.1     |          |
| x    | 6.2     |          |
| 4    | 4       |          |
| .    | 4.      |          |
| 2    | 4.2     |          |
| =    | 26.04   |          |
| b) 1 | 1       |          |
| 0    | 10      |          |
| ÷    | 10.     |          |
| 2    | 2       |          |
| ÷    | 5.      |          |
| 1    | 1       |          |
| 0    | 10      |          |
| ÷    | .5      |          |
| 2    | 2       |          |
| =    | .25     |          |
| c) 2 | 2       |          |
| 0    | 20      |          |
| x    | 20.     |          |
| 4    | 4       |          |
| ÷    | 80.     |          |

**examples** (Continued)

|   |           |
|---|-----------|
| 8 | 8         |
| ÷ | 10.       |
| 7 | 7         |
| x | 1.4285714 |
| 4 | 4         |
| = | 5.7142856 |

**4. Constant Multiplication or Division**

| KEYS | DISPLAY | COMMENTS                                      |
|------|---------|---|
| a) 3 | 3       |   |
| x    | 3.      |   |
| 2    | 2       |   |
| =    | 6       |   |
| 4    | 4       |   |
| =    | 12.     | First factor in constant multiply             |
| 5    | 5       |   |
| .    | 5.      |   |
| 2    | 5.2     |   |
| =    | 15.6    |   |
| =    | 46.8    | 15.6 is re-entered and multiplied by constant |
| b) 5 | 5       |   |
| ÷    | 5.      |   |
| 2    | 2       |   |
| =    | 2.5     |   |
| 4    | 4       |   |
| =    | 2.      | Second factor in constant divide              |
| 5    | 5       |   |
| .    | 5.      |   |
| 2    | 5.2     |   |
| =    | 2.6     |   |
| =    | 1.3     | 2.6 is re-entered and divided by constant     |

**5. To Perform Products of Sums**  
(5+4) x (3+2)/(6+7) = ?

| KEYS | DISPLAY   | COMMENTS                   |
|------|-----------|----------------------------|
| 5    | 5         |                            |
| +    | 5.        |                            |
| 4    | 4         |                            |
| +    | 9.        |                            |
| x    | 9.        | Chain multiply mode is set |
| 3    | 3         |                            |
| +    | 3.        |                            |
| 2    | 2.        |                            |
| +    | 5.        |                            |
| ÷    | 45.       | (5+4)x(3+2) is executed    |
| 6    | 6         |                            |
| +    | 6.        |                            |
| 7    | 7         |                            |
| +    | 13.       |                            |
| =    | 3.4615384 | 45 ÷ (6+7) is executed     |

**6. Calculate Percentage**

| KEYS | DISPLAY | COMMENTS     |
|------|---------|--------------|
| 3    | 3       |              |
| 0    | 30      |              |
| 0    | 300     |              |
| .    | 300.    |              |
| 2    | 300.2   |              |
| 5    | 300.25  |              |
| x    | 300.25  |              |
| 5    | 5       |              |
| %    | 15.0125 | "Live %" key |

**7. Perform Add On and Discount**

| KEYS                        | DISPLAY | COMMENTS                 |
|-----------------------------|---------|--------------------------|
| a) Add-On: \$125 plus 5%    |         |                          |
| 1                           | 1       |                          |
| 2                           | 12.     |                          |
| 5                           | 125.    |                          |
| x                           | 125.    |                          |
| 5                           | 5       |                          |
| %                           | 6.25    | 5% of 125 is displayed   |
| +                           | 131.25  | 125+5% is displayed      |
| b) Discount: \$532.10 by 6% |         |                          |
| 5                           | 5       |                          |
| 3                           | 53      |                          |
| 2                           | 532     |                          |
| .                           | 532.    |                          |
| 1                           | 532.1   |                          |
| x                           | 532.1   |                          |
| 6                           | 6       |                          |
| %                           | 31.96   | 6% of 532.1 is displayed |
| -                           | 500.174 | 532.1 - 6% is displayed  |

**8. Perform Change Sign**

| KEYS | DISPLAY | COMMENTS                              |
|------|---------|---------------------------------------|
| 1    | 1       |                                       |
| 2    | 12      |                                       |
| +/-  | -12     | Change sign does not terminate entry. |
| 3    | -123    |                                       |
| .    | -123.   |                                       |
| +/-  | 123.    |                                       |
| 5    | 123.5   |                                       |
| +/-  | -123.5  |                                       |
| 6    | -123.56 |                                       |

**9. Perform Exchange Registers (X↔Y)**

| KEYS  | DISPLAY | COMMENTS                           |
|-------|---------|------------------------------------|
| a) 5  | 5       |                                    |
| x     | 5.      |                                    |
| 3     | 3       |                                    |
| =     | 15.     | 5 is initially constant multiplier |
| 4     | 4       |                                    |
| F, EX | 5.      | 4 is now constant multiplier       |
| =     | 20      |                                    |



**examples** (Continued)

|       |    |  |
|-------|----|--|
| b) 6  | 6  |  |
| ÷     | 6. |  |
| 3     | 3  |  |
| F, EX | 6. | Numerator and denominator are exchanged. |
| =     | .5 |  |

|                       |        |                        |
|-----------------------|--------|------------------------|
| c) $3^{-5} = 0.00412$ |        |                        |
| 3                     | 3      |                        |
| x                     | 3      |                        |
| 5                     | 5      |                        |
| +/-                   | -5     | Change sign            |
| F, PWR                | .00412 | Rounded to five digits |

**10. Accumulate in Memory, Recall and Clear Memory**

| KEYS  | DISPLAY | COMMENTS                           |
|-------|---------|------------------------------------|
| a) 3  | 3       |                                    |
| F, M+ | 3       | Accumulate in memory               |
| 4     | 4       |                                    |
| F, M+ | 4       | Accumulate in memory               |
| F, MR | 7       | Recall memory                      |
| F, MC | 7       | Clear memory                       |
| F, MR | 0       | Recall memory                      |
| b) 5  | 5       |                                    |
| +     | 5       |                                    |
| 6     | 6       |                                    |
| +     | 11      |                                    |
| F, M+ | 11      | Accumulate in memory               |
| 7     | 7       |                                    |
| +     | 18      |                                    |
| F, M+ | 18      | 11+18 is accumulated in M          |
| +     | 25      | Repeat add                         |
| 3     | 3       |                                    |
| 2     | 32      |                                    |
| .     | 32.     |                                    |
| 2     | 32.2    |                                    |
| +/-   | -32.2   |                                    |
| F, M+ | -32.2   | 29-32.2 is accumulated in M        |
| 9     | 9       |                                    |
| +     | 34      |                                    |
| F, MR | -3.2    | Accumulated value of M is recalled |
| +     | 30.8    |                                    |
| F, MC | 30.8    | M is cleared                       |
| F, MR | 0       | M = 0                              |

**11. Raising a Number to a Power**

| KEYS                 | DISPLAY | COMMENTS   |
|----------------------|---------|--|
| a) $2^5 = 32$        |         |  |
| 2                    | 2       |  |
| x                    | 2       |  |
| 5                    | 5       |  |
| F, PWR               | 32      |  |
| b) $5^{1.5} = 11.18$ |         |  |
| 5                    | 5       |  |
| x                    | 5       |  |
| 1                    | 1       |  |
| .                    | 1.      |  |
| 5                    | 1.5     |  |
| F, PWR               | 11.18.  | Rounded to 5 digits; trailing zero is suppressed |

**12. Calculating Roots**

| KEYS                    | DISPLAY | COMMENTS               |
|-------------------------|---------|------------------------|
| a) $2\sqrt{5} = 2.2361$ |         |                        |
| 5                       | 5       |                        |
| ÷                       | 5       |                        |
| 2                       | 2       |                        |
| F, PWR                  | 2.2361  | Rounded to five digits |
| b) $3\sqrt{6} = 1.8171$ |         |                        |
| 6                       | 6       |                        |
| ÷                       | 6       |                        |
| 3                       | 3       |                        |
| F, PWR                  | 1.8171  | Rounded to five digits |

**financial examples****1. Future Value Compound Interest Computations**

To find the accumulated amount in a savings account at the end of 9 years when a) \$2,500 is deposited at 5.25% interest compounded monthly, b) \$3,000, c) \$3,000 at 5% interest, d) \$3,000 at 5% interest for 10 years.

| KEYS      | DISPLAY   | COMMENTS                        |
|-----------|-----------|---------------------------------|
| a) 9      | 9         | Number of years                 |
| F, 12N    | 108       | Compounded monthly, stored in N |
| 5.25      | 5.25      |                                 |
| F, I/12   | .004375   | Compounded monthly, stored in I |
| 2500      | 2500      | Original deposit                |
| F, AMT    | 2500      | Stored in Y                     |
| F, INT-FV | 4005.8665 | Future value                    |
| b) 3000   | 3000      | New deposit amount              |
| F, AMT    | 3000      | New deposit stored in Y         |
| F, INT-FV | 4807.0398 | Future value                    |
| c) 5      | 5         | New interest rate               |
| F, I/12   | .00416666 | New interest rate stored in I   |
| F, INT-FV | 4700.5347 | Future value                    |
| d) 10     | 10        | New number of years             |
| F, 12N    | 120       | Compounded monthly, stored in N |
| F, INT-FV | 4941.0234 | Future value                    |

**2. Present Value Compound Interest Computations**

To find the amount to be deposited to accumulate a) \$5,000 in 7 years at 4.5% interest compounded monthly b) \$10,000, c) \$10,000 in 7.5 years.

**financial examples** (Continued)

| KEYS      | DISPLAY   | COMMENTS                        |
|-----------|-----------|---------------------------------|
| a) 7      | 7         | Number of years                 |
| F, 12N    | 84        | Compounded monthly, stored in N |
| 4.5       | 4.5       | Interest                        |
| F, I/12N  | .00375    | Compounded monthly, stored in I |
| 5000      | 5000      | Future value                    |
| F, AMT    | 5000      | Future value stored in Y        |
| F, INT-PV | 3651.0957 | Present value required          |
| b) 10000  | 10000     | New future value                |
| F, AMT    | 10000     | Future value stored in Y        |
| F, INT-PV | 7302.1914 | Present value required          |
| c) 7.5    | 7.5       | New number of years             |
| F, 12N    | 90        | Compounded monthly, stored in N |
| F, INT-PV | 7140.0271 | Present value required          |

**3. Savings Computations – Period Payments**

To find the amount that a) must be deposited monthly in a savings account at an interest rate of 5.5% compounded monthly for 5 years to accumulate \$15,000, b) compounded, and deposited quarterly.

| KEYS       | DISPLAY   | COMMENTS                        |
|------------|-----------|---------------------------------|
| a) 5.5     | 5.5       | Interest                        |
| F, I/12    | .00458333 | Compounded monthly, stored in I |
| 5          | 5         | Number of years                 |
| F, 12N     | 60        | Compounded monthly, stored in N |
| 15000      | 15000     | Future value                    |
| F, AMT     | 15000     | Future value stored in Y        |
| F, SAV-PMT | 217.7676  | Monthly deposit required        |
| b) 5.5     | 5.5       | Interest                        |
| ÷          | 5.5       |                                 |
| 4          | 4         | Compound quarterly              |
| =          | 1.375     |                                 |
| F, I       | .01375    | Quarterly interest stored in I  |
| 5          | 5         | Number of years                 |
| x          | 5         |                                 |
| 4          | 4         | Compound quarterly              |
| =          | 20        |                                 |
| F, N       | 20        | Quarter periods, stored in N    |
| 15000      | 15000     | Re-enter future value           |
| F, AMT     | 15000     | Future value stored in Y        |
| F, SAV-PMT | 656.7085  | Quarterly deposit required      |

**4. Savings Computations – Accumulated Value**

To find the amount accumulated a) if \$100 is deposited at the end of each month for 6 years in a savings account

at an interest rate of 4.75%, compounded monthly, b) 7.5%, c) at 4.75% for 9 years.

| KEYS      | DISPLAY   | COMMENTS                        |
|-----------|-----------|---------------------------------|
| a) 4.75   | 4.75      | Interest                        |
| F, I/12   | .00395833 | Compounded monthly, stored in I |
| 6         | 6         | Number of years                 |
| F, 12N    | 72        | Compounded monthly, stored in N |
| 100       | 100       | Monthly payment                 |
| F, AMT    | 100       | Monthly payment stored in Y     |
| F, SAV-FV | 8311.9301 | Accumulated sinking fund        |
| b) 7.5    | 7.5       | New interest rate               |
| F, I/12   | .00625    | Compounded monthly, stored in I |
| F, SAV-FV | 9057.8807 | Accumulated sinking fund        |
| c) 4.75   | 4.75      | New interest rate               |
| F, I/12   | .00395833 | Compounded monthly, stored in I |
| 9         | 9         | New number of years             |
| F, 12N    | 108       | Compounded monthly, stored in N |
| F, SAV-FV | 13443.173 | Accumulated sinking fund        |

**5. Loan Computations – Monthly Payment**

To find the monthly payments of a loan of \$5,000 paid over 5 years at an annual percentage rate of a) 18%, b) 12%, c) 7.5% for 10 years.

| KEYS        | DISPLAY   | COMMENTS                        |
|-------------|-----------|---------------------------------|
| a) 18       | 18        | Interest rate                   |
| F, I/12     | .015      | Compounded monthly, stored in I |
| 5           | 5         | Number of years                 |
| F, 12N      | 60        | Compounded monthly, stored in N |
| 5000        | 5000      | Loan amount                     |
| F, AMT      | 5000      | Loan amount stored in Y         |
| F, LOAN-PMT | 126.9671  | Monthly installment             |
| b) 12       | 12        | New interest rate               |
| F, I/12     | .01       | Compounded monthly, stored in I |
| F, LOAN-PMT | 111.22225 | New monthly installment         |
| c) 7.5      | 7.5       | New interest rate               |
| F, I/12     | .00625    | Compounded monthly, stored in I |
| 10          | 10        | New number of years             |
| F, 12N      | 120       | Compounded monthly, stored in N |
| F, LOAN-PMT | 59.35085  | New monthly installment         |



## financial examples (Continued)

### 6. Loan Computations — Loan Amount

To find the amount of a loan with monthly payments of \$125, and an interest rate of 9% for 3 years, b) 4 years, c) \$120 for 4 years.

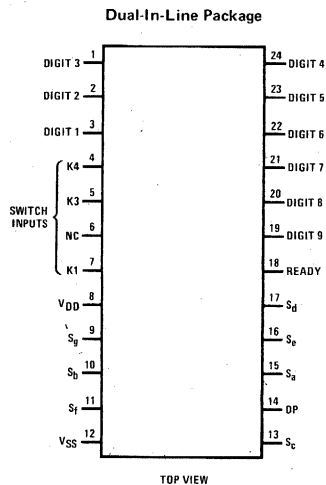
| KEYS        | DISPLAY   | COMMENTS                        |
|-------------|-----------|---------------------------------|
| a) 9        | 9         | Interest rate                   |
| F, I/12     | .0075     | Compounded monthly, stored in I |
| 3           | 3         | Number of years                 |
| F, 12N      | 36        | Compounded monthly, stored in N |
| 125         | 125       | Payment amount                  |
| F, AMT      | 125       | Payment amount stored in Y      |
| F, LOAN-AMT | 3930.8485 | Computed loan amount            |
| b) 4        | 4         | New number of years             |
| F, 12N      | 48        | Compounded monthly, stored in N |
| F, LOAN-AMT | 5023.0982 | Computed loan amount            |
| c) 120      | 120       | New payment amount              |
| F, AMT      | 120       | New payment stored in Y         |
| F, LOAN-AMT | 4822.1742 | Computed loan amount            |

### 7. Performing a Sum-of-Digits Depreciation

Find the depreciation and depreciable value for each year, on an item with an initial cost of \$3,500.00 and a salvage value at the end of 8 years of \$675.00.

| KEYS   | DISPLAY   | COMMENTS              |
|--------|-----------|-----------------------|
| 3500   | 3500      |                       |
| +      | 3500      | Enter initial value   |
| 675    | 675       | Enter salvage value   |
| -      | 2825.     | Calculate change      |
| 8      | 8         |                       |
| F, N   | 8.        | Enter period in N     |
| F, SOD | 627.77777 | 1st year depreciation |
| F, EX  | 2197.2223 | Depreciable value     |
| F, SOD | 549.30557 | 2nd year depreciation |
| F, EX  | 1647.9168 | Depreciable value     |
| F, SOD | 470.83396 | 3rd year depreciation |
| F, EX  | 1177.0835 | Depreciable value     |
| F, SOD | 392.36116 | 4th year depreciation |
| F, EX  | 784.7224  | Depreciable value     |
| F, SOD | 313.88896 | 5th year depreciation |
| F, EX  | 470.83344 | Depreciable value     |
| F, SOD | 235.41672 | 6th year depreciation |
| F, EX  | 235.41672 | Depreciable value     |
| F, SOD | 156.94447 | 7th year depreciation |
| F, EX  | 78.47225  | Depreciable value     |
| F, SOD | 78.47225  | 8th year depreciation |
| F, EX  | 0.        | Depreciable value     |

### connection diagram



Order Number MM57123N  
See Package 22



## MM57135 scientific calculator ROM

### general description

The MM57135 Control ROM is programmed to perform the functions described when used with the MM5782 Processor and RAM chip. Complete electrical specifications and application data may be found in the MM5781 and MM5782 data sheet.

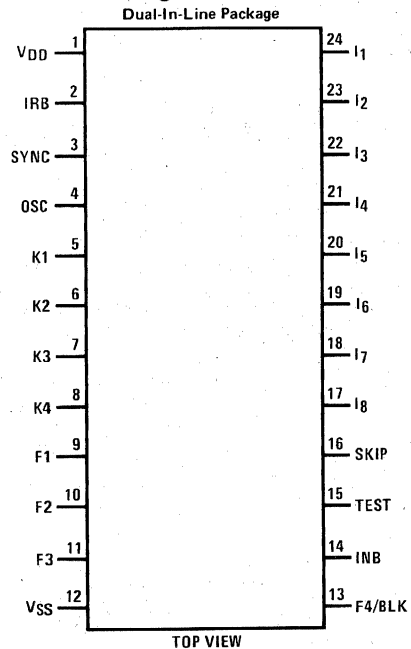
### features

- Enters and displays  $\pm 9.99999999 \times 10^{99}$  to  $\pm 1 \times 10^{-99}$
- Calculates internally using 12 mantissa digits to insure all ten displayed digits are correct
- Left justified entry with trailing zero suppression
- Algebraic Notation with 2 levels of parentheses
- Arithmetic functions: +, -, X,  $\div$ , 1/X,  $\sqrt{X}$ ,  $X^2$
- Constant operations (second factor)
- Power function:  $Y^X$
- Logarithmic functions: LN X, LOG X,  $e^X$ ,  $10^X$
- Trigonometric functions: SIN, COS, TAN,  $\text{SIN}^{-1}$ ,  $\text{COS}^{-1}$ ,  $\text{TAN}^{-1}$
- Compute in degrees, radians or gradian mode
- Rectangular/Polar conversions
- Degrees, minutes, seconds conversions
- 3 full-function, addressable memories
- Statistical functions: standard deviation and mean
- 2 display output modes: floating or scientific
- Factorial: n!
- Conversions:  $^{\circ}\text{F}/^{\circ}\text{C}$ , LB/KG, IN/CM and GAL/LITERS
- $\pi$ , change sign, clear-all and exchange
- Auto power-on clear

### keyboard

|                      |                          |                          |                                  |                    |
|----------------------|--------------------------|--------------------------|----------------------------------|--------------------|
| F                    | SIN<br>SIN <sup>-1</sup> | COS<br>COS <sup>-1</sup> | TAN<br>TAN <sup>-1</sup>         | → D.MS<br>→ D      |
| LN<br>e <sup>x</sup> | LOG<br>10 <sup>x</sup>   | Y <sup>X</sup><br>1/X    | $\sqrt{\quad}$<br>X <sup>2</sup> | - P<br>- R         |
| M+<br>X!             | $\Sigma+$<br>$\Sigma-$   | X → Y<br>X → M           | [(<br>2 $\pi$                    | )]<br>$\pi$        |
| MR<br>SD             | MS<br>X                  | EE<br>SCI                | CS<br>FLT                        | $\div$<br>M $\div$ |
| 7<br>→ KG            | 8<br>→ CM                | 9<br>LIT                 | X<br>MX                          |                    |
| 4<br>→ LB            | 5<br>→ IN                | 6<br>GAL                 | -<br>M-                          |                    |
| 1<br>DEG             | 2<br>GRAD                | 3<br>RAD                 | +<br>M+                          |                    |
| 0<br>→ °F            | •<br>→ °C                | C<br>CA                  | =<br>CF                          |                    |

### connection diagram



Order Number MM57135N  
See Package 22

Keyboard Matrix, Primary Functions

| SWITCH INPUTS | DIGIT TIMING STATES |     |                |                |           |       |     |        |        |     |
|---------------|---------------------|-----|----------------|----------------|-----------|-------|-----|--------|--------|-----|
|               | D5                  | D6  | D7             | D8             | D9        | D10   | D11 | D12    | D13    | D14 |
| K1            |                     | 1   | 2              | 3              | 0         | •     | C   | +      | =      |     |
| K2            |                     | 4   | 5              | 6              | 7         | 8     | 9   | -      | X      |     |
| K3            | MR                  | MS  | EE             | CS             | $\Sigma+$ | X → Y | [(  | $\div$ | )]     | M+  |
| K4            | LN                  | LOG | Y <sup>X</sup> | $\sqrt{\quad}$ | SIN       | COS   | TAN | R → P  | → D.MS | F   |

## functional description

### REGISTER CONFIGURATION

The user has access to 7 registers designated X, Y, P1, P2, M1, M2 and M3. X is the display and entry register. Y is the constant register. M1, M2 and M3 are independent user-addressable memory registers that can be stored, recalled, added, multiplied, subtracted or divided with X. P1 and P2 are parentheses registers.

All registers contain 12 mantissa digits with sign and 2 exponent digits with sign.

### DISPLAY CONFIGURATION

The X-register is always displayed and shown as 10 digits of mantissa with sign and 2 digits of exponent with sign. All internal calculations are done with 12 digits and displayed rounded to ten; therefore, all displayed digits are accurate for all functions. Numbers are entered left justified with trailing zeros suppressed.

### DISPLAY FORMAT

Floating point display output format is selected at power-on or by pressing "F", "FLT". If X is greater than 9999999999, or less than 0.000000001, the display is automatically in scientific notation.

By pressing "F", "EE" all results are displayed in scientific notation.

All results maintain 12 digits internally at all times.

### BATTERY LOW INDICATION

The DS8664 digit driver can sense a low battery voltage condition and send a signal to input IRB of the MM5781 which causes the display to show an "L" in the left-most sign position.

### READY SIGNAL OPERATION

Output FIP of the MM5781 can be used as a "ready signal" to indicate calculator status. It can be useful in

providing synchronization information during testing and if used with other logic.

When the calculator is in the "idle state" and ready to accept a key, FIP is high (near  $V_{SS}$ ). It remains high until a key is depressed and accepted, then goes low. It stays low until the calculation is complete then returns to a high state which signifies a new key may be entered.

### KEYBOUNCE AND NOISE REJECTION

When a key is depressed, a time-out is started. A key is accepted as valid if it remains depressed for approximately 12 ms. The key must be released for at least 12 ms before a new key can be entered.

### ERROR CONDITIONS AND INDICATION

In the event of an illegal operation, the calculator will display "Error" and X will be cleared. All other registers and memories are protected. Any key depressed after an error will use  $X = 0$  for the next operator. Table I summarizes results and operations that will give an error indication.

### RANGE, ACCURACY AND SPEED

All functions work over the mathematically allowable range defined by Table I.

Transcendental functions give 10 digits of accuracy except near normal limits and all other functions are internally accurate to 12 digits.

The calculation time of all transcendental functions takes less than a second; all other functions, with the exception of factorial computations, are executed in less than 1/3 second. Factorial of 69, the longest calculation possible, takes less than 3 seconds.

TABLE I. Results and Operations that Result in an Error Indication

|   |
|---|
| Results $> 9.99999999 \times 10^{99}$                     |
| Results $< 1 \times 10^{-99}$                             |
| Division by 0   |
| LOG, LN $\leq 0$  |
| $Y^X$ for $Y \leq 0$                                      |
| TAN, SIN, COS $\geq 25$ revolutions ( $9000^\circ$ )      |
| TAN of $90^\circ, 270^\circ$ , etc.                       |
| $\text{SIN}^{-1}, \text{COS}^{-1} > 1$ or $\leq 10^{-50}$ |
| $\sqrt{X} < 0$  |
| DMS Conversion $\geq 10^{10}$                             |
| $X! < 0$ , or not an integer                              |
| More than two open parentheses                            |
| More closed parentheses than open parentheses             |

## functional description (con't)

### KEY OPERATIONS

#### Clear Key, "C"

- After number keys: copies Y to X
- After function key: clears all modes and X, Y, P1 and P2
- After "F": clears all modes and all registers

#### Number Keys, "0" ~ "9," "."

- After any function key: clears X and enters number left justified to X
- After any number key: enters next number. All entries after tenth are ignored
- After "EE": enters number to exponent. Last two entries are used
- After "F":

( $\rightarrow$ °C) "." Converts X in °F to °C  
 (°C = (°F - 32)/1.8)

( $\rightarrow$ °F) "0" Converts X in °C to °F  
 (°F = 1.8°C + 32)

(DEG) "1" Set calc to degrees mode

(GRAD) "2" Set calc to gradians mode

(RAD) "3" Set calc to radians mode

( $\rightarrow$  LB) "4" Replace X with X  $\div$  0.4535924

( $\rightarrow$  IN) "5" Replace X with X  $\div$  2.54

( $\rightarrow$  GAL) "6" Replace X with X  $\div$  3.785412

( $\rightarrow$  KG) "7" Replace X with X  $\cdot$  0.4535924

( $\rightarrow$  CM) "8" Replace X with X  $\cdot$  2.54

( $\rightarrow$  LIT) "9" Replace X with X  $\cdot$  3.785412

- 1, 2, 3 after:

"MR" Recall selected memory to X

"MS" X to selected memory

"M+ mode" M + X to selected memory

"M- mode" M - X to selected memory

"MX mode" M  $\cdot$  X to selected memory

"M $\div$  mode" M  $\div$  X to selected memory

"MEXC mode" X is exchanged with selected memory

#### Change Sign Key, "CS"

- After "EE": change sign of exponent of X
- After "F": (FLT) set calc to Floating Point mode
- After any other key: changes sign of X mantissa

#### Positive/Negative Summing Key, " $\Sigma+$ / $\Sigma-$ "

- Used to enter data points for computation of mean and standard deviation:  
 Sums X to M1 ( $\Sigma X$ )  
 Sums X<sup>2</sup> to M2 ( $\Sigma X^2$ )  
 Adds 1 to M3 (N)
- After "F": ( $\Sigma-$ ) used to delete data points:  
 Subtracts X from M1  
 Subtracts X<sup>2</sup> from M2  
 Subtracts 1 from M3

#### Accumulative/Factorial Key, "M+X!"

- Sums X to M1
- After "F": (X!) replaces X with X-factorial

#### Coordinate Conversion Key, "R $\leftrightarrow$ P"

- Converts contents of X and Y in rectangular coordinates to polar coordinates: reset calculator mode

$$\sqrt{X^2 + Y^2} \text{ to } Y$$

$$\text{TAN}^{-1} Y/X \text{ to } X$$

- After "F": (P  $\rightarrow$  R) converts contents of X and Y in polar coordinates to rectangular coordinates: resets calculator mode:

$$Y \text{ SIN } X \rightarrow Y$$

$$Y \text{ COS } X \rightarrow X$$

Note: R  $\leftrightarrow$  P works in all four quadrants

#### Square Root/Square Key, " $\sqrt{X}/X^2$ "

- Square root of positive value of X to X
- After "F": (X<sup>2</sup>) X-squared to X

#### Second Function Key, "F"

Sets F mode

#### Memory Store/Mean Key, "MS/ $\bar{X}$ "

- Sets memory store mode
- After "F": ( $\bar{X}$ ) X divides M1 by M3 and puts result in X; this gives mean of data summed using  $\Sigma+$  key

#### Memory Recall/Standard Deviation Key, "MR/SD"

- Sets Memory Recall mode
- After F: (S.D.) computes standard deviation of data entered with the  $\Sigma+$  key, using the relationship:

$$SD = \frac{\sqrt{\frac{\Sigma X^2 - \frac{(\Sigma X)^2}{N}}{N-1}}}{\sqrt{\frac{M2 - \frac{(M1)^2}{M3}}{M3-1}}} \rightarrow X$$

$\Sigma X$ ,  $\Sigma X^2$  and N may be recovered from M1, M2 and M3

#### Enter Exponent Key, "EE/SCI"

- Sets enter exponent mode, displaying 00 in exponent position
- After F: (SCI) sets the calculator to display using scientific notation

#### Common Log Key, "LOG/10<sup>X</sup>"

- Common logarithm of X to X (base 10)
- After "F": (10<sup>X</sup>) 10<sup>X</sup> to X

#### Natural Log Key, "Ln/e<sup>X</sup>"

- Natural logarithm of X to X (base e)
- After "F": (e<sup>X</sup>) e<sup>X</sup> to X

## functional description (con't)

### Decimal to Degrees Conversion Key, "D.MS"

- Replaces the decimal angle in X with its degrees (or hours), minutes and seconds conversion
- After "F": (DMS) degrees (or hours) minutes and seconds in X is converted to decimal angle

### Trigonometric Keys, "SIN, COS, TAN"

- Replaces the decimal angle in X with the indicated trigonometric function
- After "F": replaces X with the decimal angle of the indicated inverse trigonometric function

### Power/Reciprocal Key, "Y<sup>X</sup>/1/X"

- If not in chain mode: copy X to Y set Y<sup>X</sup> chain mode
- After "+, -, X, ÷, Y<sup>X</sup> key: copy X to Y, set Y<sup>X</sup> chain mode
- In chain mode: perform the specified function of X and Y putting the result to X and Y, set Y<sup>X</sup> chain mode
- After "F": reciprocal of non-zero value of X to X

### The Four Function Keys, "+, -, X, ÷"

- If not in chain mode: copy X to Y, set the specified chain mode
- After "+, -, X, ÷, Y<sup>X</sup> " key: copy X to Y, set chain mode
- In chain mode: perform the specified function of X and Y putting the result to X and Y, set the specified chain mode
- After "F," "MS" or "MR": set the appropriate memory mode (M+, M-, MX, M÷)

### Equal Key, "="

- In chain mode: perform the specified function of X and Y, putting the result to X and save the last number displayed in Y, set the constant mode
- In constant mode: perform the specified function of X, Y putting the result in X
- After "F": (CF) reset F mode

### Exchange Key, "X ↔ Y/X ↔ M"

- Exchange X and Y
- After "MS," "MR" or "F": (X ↔ M) sets calculator to MEXC mode

### Open Parentheses, "[(/2π"

- Copy P1 to P2, copy Y to P1. Copy P1 mode to P2 mode, copy the calculator mode to P1 mode, reset calculator mode
- After "F": (2π) enter 2 Pi to X (6.283185307)

### Close Parentheses/Pi Key, ")/π"

- In chain mode: perform the specified function of X, Y putting the result to X. Copy P1 to Y, copy P2 to P1, clear P2. Copy P2 mode to P1 mode, copy P1 mode to the calculator mode, reset P2 mode
- Not in chain mode: P1 to Y, P2 to P1, clear P2, P1 mode to calculator mode, P2 mode to P1 mode, reset P2 mode
- After "F": (π) enter Pi to X (3.14159765359)

TABLE II. Example Showing Parentheses Registers and Modes

$$6 \times (2^{(8-5)} + 2)$$

|                | X  | Y MODE           | P1 MODE          | P2 MODE |
|----------------|----|------------------|------------------|---------|
| 6              | 6  |                  |                  |         |
| X              | 6  | 6 X              |                  |         |
| (              | 6  | 6                | 6 X              |         |
| 2              | 2  | 6                | 6 X              |         |
| Y <sup>X</sup> | 2  | 2 Y <sup>X</sup> | 6 X              |         |
| (              | 2  | 2                | 2 Y <sup>X</sup> | 6 X     |
| 8              | 8  | 2                | 2 Y <sup>X</sup> | 6 X     |
| -              | 8  | 8 -              | 2 Y <sup>X</sup> | 6 X     |
| 5              | 5  | 8 -              | 2 Y <sup>X</sup> | 6 X     |
| )              | 3  | 2 Y <sup>X</sup> | 6 X              |         |
| +              | 8  | 8 +              | 6 X              |         |
| 2              | 2  | 8 +              | 6 X              |         |
| )              | 10 | 6 X              |                  |         |
| =              | 60 | 10 X (const)     |                  |         |

10 is constant multiplier



## MM57136 RPN scientific calculator control ROM

### general description

The MM57136 Control ROM is programmed to perform the functions described when used with the MM5782 Processor and RAM chip. Complete electrical specifications and application data may be found in the MM5781 and MM5782 data sheet.

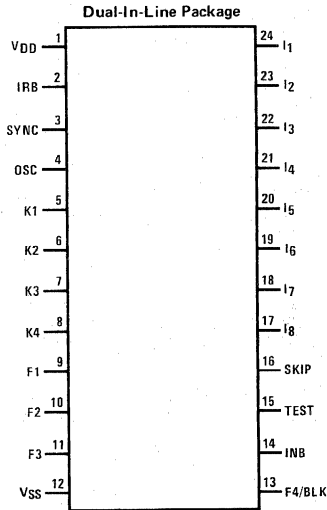
### features

- Enters and displays  $\pm 9.999999999 \times 10^{99}$  to  $\pm 1 \times 10^{-99}$
- Calculates internally using 12 mantissa digits to insure all ten displayed digits are correct
- Left justified entry with trailing zero suppression
- Reverse Polish Notation (RPN)
- Arithmetic functions: +, -, X,  $\div$ , 1/X,  $\sqrt{x}$ ,  $x^2$
- Power function:  $Y^X$
- Logarithmic functions: LN X, LOG X,  $e^X$ ,  $10^X$
- Trigonometric functions: SIN, COS, TAN,  $\text{SIN}^{-1}$ ,  $\text{COS}^{-1}$ ,  $\text{TAN}^{-1}$
- Compute in degrees, radians or gradian mode
- Rectangular/Polar conversions
- Degrees, minutes, seconds conversions
- 3 full-function, addressable memories
- 4-register working stack with ROLL, CLEAR and EXCHANGE capability
- Statistical functions: standard deviation and mean
- 4 display output modes: floating, scientific, fixed or engineering
- Factorial: n!
- Conversions:  $^{\circ}\text{F}/^{\circ}\text{C}$ , LB/KG, IN/CM and GAL/LITERS
- $\pi$ , change sign and clear-all
- Percent and percent difference functions: %,  $\Delta\%$
- Auto power-on clear
- Auto display cut-off for extended battery life

### keyboard

|                       |                               |                          |                                |               |
|-----------------------|-------------------------------|--------------------------|--------------------------------|---------------|
| F                     | SIN<br>SIN <sup>-1</sup>      | COS<br>COS <sup>-1</sup> | TAN<br>TAN <sup>-1</sup>       | → D.MS<br>→ D |
| LN<br>e <sup>x</sup>  | LOG<br>10 <sup>x</sup>        | 1/X<br>Y <sup>x</sup>    | $\sqrt{x}$<br>X <sup>2</sup>   | --P<br>--R    |
| M+<br>X!              | $\Sigma+$<br>$\Sigma-$        | %<br>$\Delta\%$          | X - Y<br>X $\leftrightarrow$ M | ROLL<br>$\pi$ |
| MR<br>SD              | MS<br>$\bar{X}$               | EE<br>ENG                | CS<br>DSP                      | ENT<br>CF     |
| 7<br>-KG              | 8<br>-CM                      | 9<br>-LIT                | $\frac{1}{x}$<br>M-            |               |
| 4<br>-LB              | 5<br>-IN                      | 6<br>-GAL                | X<br>MX                        |               |
| 1<br>DEG              | 2<br>GRAD                     | 3<br>RAD                 | -<br>M-                        |               |
| 0<br>- <sup>o</sup> F | $\bullet$<br>- <sup>o</sup> C | C<br>CA                  | +<br>M+                        |               |

### connection diagram



TOP VIEW  
Order Number MM57136N  
See Package 22

Keyboard Matrix, Primary Functions

| SWITCH<br>INPUTS | DIGIT TIMING STATES |     |     |            |           |           |     |                   |                    |     |
|------------------|---------------------|-----|-----|------------|-----------|-----------|-----|-------------------|--------------------|-----|
|                  | D5                  | D6  | D7  | D8         | D9        | D10       | D11 | D12               | D13                | D14 |
| K1               |                     | 1   | 2   | 3          | 0         | $\bullet$ | C   | -                 | +                  |     |
| K2               |                     | 4   | 5   | 6          | 7         | 8         | 9   | X                 | $\div$             |     |
| K3               | MR                  | MS  | EE  | CS         | $\Sigma+$ | %         | EXC | EN                | ROLL               | M+  |
| K4               | LN                  | LOG | 1/X | $\sqrt{x}$ | SIN       | COS       | TAN | R $\rightarrow$ P | $\rightarrow$ D.MS | F   |

## functional description

### REGISTER CONFIGURATION

The user has access to 7 registers designated X, Y, Z, T, M1, M2 and M3. X is the display and entry register and the bottom of an "operational" stack that includes Y, Z and T. M1, M2 and M3 are independent user-addressable memory registers that can be stored, recalled, added, multiplied, subtracted, divided or exchanged with X.

All registers contain 12 mantissa digits with sign and 2 exponent digits with sign.

### DISPLAY CONFIGURATION

The X-register is always displayed and shown as 10 digits of mantissa with sign and 2 digits of exponent with sign. All internal calculations are done with 12 digits and rounded to ten; therefore, all displayed digits are accurate for all functions. Numbers are entered left justified with trailing zeros suppressed.

### DISPLAY FORMAT

Floating point display output format is selected at power-on or by pressing "F", "DS", "...". If X is greater than 9999999999, or less than 0.1, the display is automatically in scientific notation.

The number of decimal places displayed can be selected by pressing "F", "DSP" and a number key (0-9). The display is rounded to the selected decimal position. A result too large or small to show with the selected position is displayed in scientific notation.

By pressing "F", "ENG" all results are displayed in modified scientific notation with exponents of 10 that are multiples of 3.

All results maintain 12 digits internally at all times. Only the display is affected when "DS" is used to reduce the number of decimal positions. The unrounded result may be viewed by returning to the floating point mode.

### DISPLAY CUT-OFF

If no key is depressed for approximately 32 seconds, an internal display cut-off circuit will turn off the entire display except for segments C, D, E and G of the left-most digit. Depression of any key will restore the display. Input INB of the MM5781 must be wired to V<sub>DD</sub> to enable the display cut-off feature. If INB is left floating, no display cut-off will occur.

### BATTERY LOW INDICATION

The DS8664 digit driver can sense a low battery voltage condition and send a signal to input IRB of the MM5781, which causes the display to flash an "L" in the left-most sign position.

### READY SIGNAL OPERATION

Output FIP of the MM5781 can be used as a "ready signal" to indicate calculator status. It can be useful in providing synchronization information during testing and if used with other logic.

When the calculator is in the "idle state" and ready to accept a key, FIP is high (near V<sub>SS</sub>). It remains high until a key is depressed and accepted, then goes low. It stays low until the calculation is complete, then returns to a high state which signifies a new key may be entered.

### KEYBOUNCE AND NOISE REJECTION

When a key is depressed, a time-out is started. A key is accepted as valid if it remains depressed for approximately 12 ms. The key must be released for at least 12 ms before a new key can be entered.

### ERROR CONDITIONS AND INDICATION

In the event of an illegal operation, the calculator will display "Error" and X will be cleared. The other registers in the stack and all memories are protected. Any key depressed after an error will use X = 0 for the next operator. Table 2 summarizes results and operations that will give an error indication.

TABLE II. Results and Operations that Result in an Error Indication

|  |
|--|
| Results $> 9.999999999 \times 10^{99}$                         |
| Results $< 1 \times 10^{-99}$                                  |
| Division by 0  |
| LOG, LN $\leq 0$   |
| $Y^X$ for $Y \leq 0$   |
| TAN, SIN, COS $> 25$ revolutions (9000°)                       |
| TAN of angles at or near $\pm\infty$ asymptotes                |
| SIN <sup>-1</sup> , COS <sup>-1</sup> $> 1$ or $\leq 10^{-50}$ |
| $\sqrt{X} < 0$   |
| DMS Conversion $\geq 10^{10}$                                  |
| $X! < 0$ , not an integer, or $> 69$                           |

### RANGE, ACCURACY AND SPEED

All functions work over the mathematically allowable range defined by Table II.

Transcendental functions give 10 digits of accuracy except near normal limits and all other functions are internally accurate to 12 digits.

The calculation time of all transcendental functions takes less than a second; all other functions, with the exception of factorial computations, are executed in less than 1/3 second. Factorial of 69, the longest calculation possible, takes less than 3 seconds.

## functional description (con't)

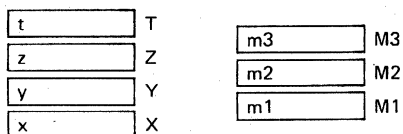


FIGURE 1. User Register Configuration

## KEY OPERATIONS

## Clear Key, "C"

- Pushes down stack and clears T. Four "C" depressions will clear a completely full stack
- After "F": Clears all registers including the memories

## Number Keys, "0" ~ "9," "."

- After any function key except "EN": pushes up stack, clears X and enters number left justified to X
- After any number key: enters next number. All entries after tenth are ignored
- After "EE": enters number to exponent. Last two entries are used
- After "EN": clears X and enters number in X
- After "DS": load decimal select position for fixed decimal output mode
- After "F":
  - ( $\rightarrow^{\circ}\text{C}$ ) " $\sim$ " Converts X in  $^{\circ}\text{F}$  to  $^{\circ}\text{C}$   
( $^{\circ}\text{C} = (^{\circ}\text{F} - 32)/1.8$ )
  - ( $\rightarrow^{\circ}\text{F}$ ) "0" Converts X in  $^{\circ}\text{C}$  to  $^{\circ}\text{F}$   
( $^{\circ}\text{F} = 1.8^{\circ}\text{C} + 32$ )
  - (DEG) "1" Set calc to degrees mode
  - (GRAD) "2" Set calc to gradians mode
  - (RAD) "3" Set calc to radians mode
  - ( $\rightarrow\text{LB}$ ) "4" Replace X with  $X \div 0.4535924$
  - ( $\rightarrow\text{IN}$ ) "5" Replace X with  $X \div 2.54$
  - ( $\rightarrow\text{GAL}$ ) "6" Replace X with  $X \div 3.785412$
  - ( $\rightarrow\text{KG}$ ) "7" Replace X with  $X \cdot 0.4535924$
  - ( $\rightarrow\text{CM}$ ) "8" Replace X with  $X \cdot 2.54$
  - ( $\rightarrow\text{LIT}$ ) "9" Replace X with  $X \cdot 3.785412$

g) 1, 2, 3 after:

- "MR" Push up stack, recall selected memory to X
- "MS" X to selected memory
- "M+ mode" M + X to selected memory
- "M- mode" M - X to selected memory
- "MX mode" M  $\cdot$  X to selected memory
- "M $\div$  mode" M  $\div$  X to selected memory
- "MEXC mode" X is exchanged with selected memory

## Change Sign Key, "CS/DS"

- After "EE": change sign of exponent of X
- After "F": (DS) set calc to Decimal Select mode
- After any other key: changes sign of X mantissa

Positive/Negative Summing Key, " $\Sigma$ +/ $\Sigma$ -"

- Used to enter data points for computation of mean and standard deviation:
  - Sums X to M1 ( $\Sigma X$ )
  - Sums  $X^2$  to M2 ( $\Sigma X^2$ )
  - Adds 1 to M3 (N)
- After "F": ( $\Sigma$ -) used to delete data points:
  - Subtracts X from M1
  - Subtracts  $X^2$  from M2
  - Subtracts 1 from M3

## Accumulative/Factorial Key, "M+/X!"

- Sums X to M1
- After "F": (X!) replaces X with X-factorial

Coordinate Conversion Key, "R  $\leftrightarrow$  P"

- Converts contents of X and Y in rectangular coordinates to polar coordinates:

$$\sqrt{X^2 + Y^2} \text{ to } Y$$

$$\text{TAN}^{-1} Y/X \text{ to } X$$

- After "F": (P  $\rightarrow$  R) converts contents of X and Y in polar coordinates to rectangular coordinates:

$$Y \text{ SIN } X \rightarrow Y$$

$$Y \text{ COS } X \rightarrow X$$

Note: R  $\leftrightarrow$  P works in all four quadrantsSquare Root/Square Key, " $\sqrt{X}$ / $X^2$ "

- Square root of positive value of X to X
- After "F": ( $X^2$ ) X-squared to X



## functional description (con't)

### Reciprocal/Power Key, "1/X/Y<sup>x</sup>"

- Reciprocal of non-zero value of X to X
- After "F": (Y<sup>X</sup>) computes power, pushes down stack, clears T

### Enter Key, "ENT/CF"

- Pushes up stack, retains X
- After F: (CF) resets F mode

### Second Function Key, "F"

Sets F mode

### Memory Store/Mean Key, "MS/ $\bar{X}$ "

- Sets memory store mode
- After "F": ( $\bar{X}$ ) divides M1 by M3 and puts result in X, this gives mean of data summed using  $\Sigma+$  key

### Memory Recall/Standard Deviation Key, "MR/SD"

- Sets Memory Recall mode
- After F: (S.D.) computes standard deviation of data entered with the  $\Sigma+$  key using the relationship:

$$SD = \sqrt{\frac{\Sigma X^2 - \frac{(\Sigma X)^2}{N}}{N-1}} \equiv \sqrt{\frac{M2 - \frac{(M1)^2}{M3}}{M3-1}} \rightarrow X$$

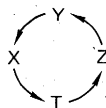
$\Sigma X$ ,  $\Sigma X^2$  and N may be recovered from M1, M2 and M3

### Enter Exponent Key, "EE/ENG"

- Sets enter exponent mode, displaying 00 in exponent position
- After F: (ENG) sets the calculator to the engineering mode, which displays all numbers with an exponent in multiples of 3.

### Stack Rotate/Pi Key, "ROLL/ $\pi$ "

- Rolls stack down



- After F: ( $\pi$ ) pushes up stack and enters  $\pi$ , 3.14159265359 to X

### Exchange Key "X $\leftrightarrow$ Y/X $\leftrightarrow$ M"

- Exchanges X and Y
- After MS, MR or F: (X  $\leftrightarrow$  M) sets calculator to MEXC mode

### Percent/Delta Percent Key, "%/ $\Delta\%$ "

- Calculates percent by:

$$\frac{X \cdot Y}{100} \rightarrow X$$

- After F: ( $\Delta\%$ ) percent change between X and Y to X, and difference to Y:

$$\frac{Y - X}{X} \cdot 100 \rightarrow X, \text{ and } Y - X \rightarrow Y$$

### Common Log Key, "LOG/10<sup>x</sup>"

- Common logarithm of X to X (base 10)
- After "F": (10<sup>X</sup>) 10<sup>X</sup> to X

### Natural Log Key, "Ln/e<sup>x</sup>"

- Natural logarithm of X to X (base e)
- After "F": (e<sup>X</sup>) e<sup>X</sup> to X

### Decimal to Degrees Conversion Key, "D.MS"

- Replaces the decimal angle in X with its degrees (or hours), minutes and seconds conversion and sets the decimal select to four.
- After "F": (DMS) degrees (or hours), minutes and seconds in X is converted to decimal angle

### Trigonometric Keys, "SIN, COS, TAN"

- Replaces the decimal angle in X with the indicated trigonometric function
- After F: replaces X with the decimal angle of the indicated inverse trigonometric function

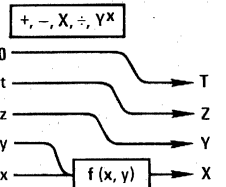
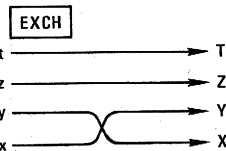
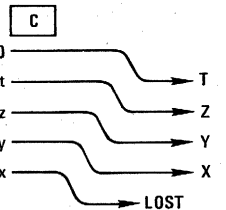
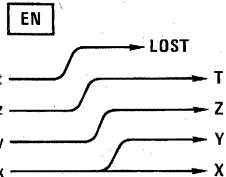
### The Four Function Keys, "+, -, x, $\div$ "

- |  |   |  |
|--|---|--|
| <ol style="list-style-type: none"> <li>Add key: Y + X <math>\rightarrow</math> X</li> <li>Subtract key: Y - X <math>\rightarrow</math> X</li> <li>Multiply key: Y <math>\cdot</math> X <math>\rightarrow</math> X</li> <li>Divide key: Y <math>\div</math> X <math>\rightarrow</math> X</li> </ol> | } | Then push down stack and clear T:<br>0 $\rightarrow$ T $\rightarrow$ Z $\rightarrow$ Y |
| <ol style="list-style-type: none"> <li>After MS, MR or F:           <ul style="list-style-type: none"> <li>"+" Sets M+ mode</li> <li>"-" Sets M- mode</li> <li>"X" Sets Mx mode</li> <li>"<math>\div</math>" Sets M<math>\div</math> mode</li> </ul> </li> </ol>                                   |   |  |

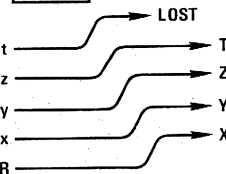
summary

Summary of Stack Operations

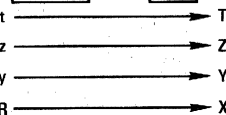
(M1, M2, M3 UNCHANGED)



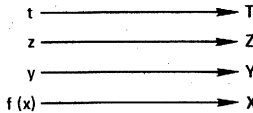
**FIRST**  
**0 ~ 9, .** AFTER FUNCTION KEY



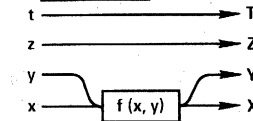
**0 ~ 9, .** AFTER **EN** OR **0 ~ 9, .**



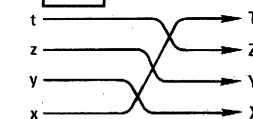
**SIN, COS, TAN, SIN<sup>-1</sup>, COS<sup>-1</sup>, TAN<sup>-1</sup>, CS  
LN, LOG, 10<sup>x</sup>, e<sup>x</sup>, 1/X, √X, X<sup>2</sup>, X!, SD., X̄, KG,  
CM, LT, LB, IN, GAL, °F, °C, DMS→, →DMS, %**



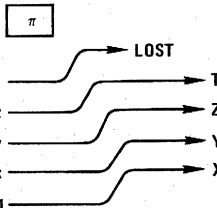
**R → P, Δ%**



**ROLL**

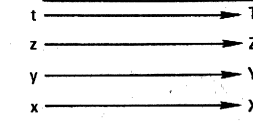


**EE** AFTER FUNCTION KEY OR

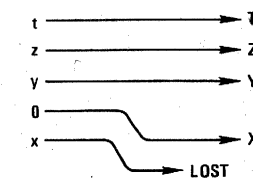


**EE** AFTER NUMBER KEY OR

**DS, DEG, RAD, GRAD, ENG, CF, F**

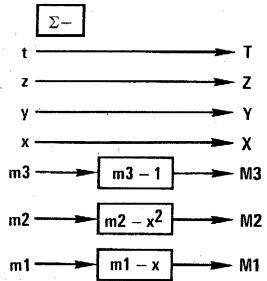
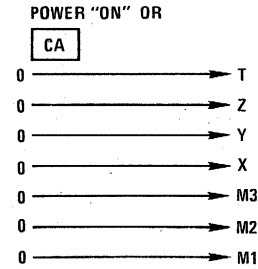
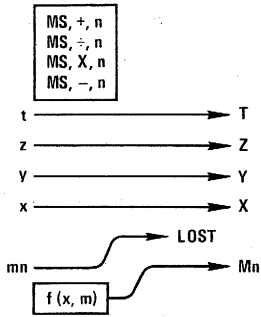
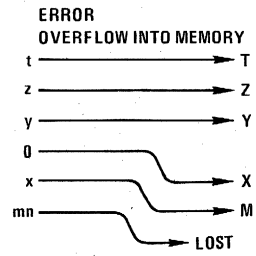
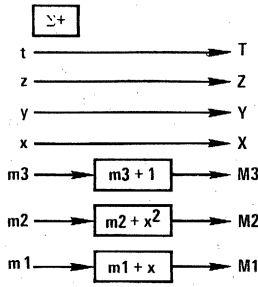
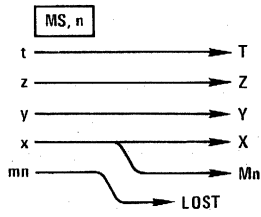
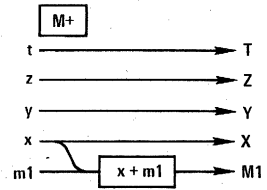
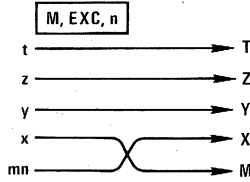
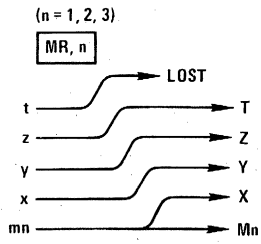


**ERROR**



summary (con't)

Summary of Operations Using Memory(s)





## CALCULATOR CHIP MAKES A COUNTER

### INTRODUCTION

In applications that require counting at fairly low rates and display of the accumulated total, the MM5736 calculator chip can be used to yield a very low parts count solution. Such applications include: timers, stop-watches, bin counters, digital panel meters, coordinate counters and nearly all applications that currently use mechanical counters. A 6 digit counter that will drive a LED display and count at a maximum rate of about 60 Hz can be constructed with only 2 integrated circuits. Higher counting rates, simplified control, and more versatile display driving capability can be obtained with the addition of a few more components. Counting is accomplished by loading a "1" into the calculator and causing an "add" each time the counter is incremented. But before describing any actual counters, a brief explanation of the calculator's operation is in order.

### GENERAL DESCRIPTION

The MM5736 is a 6 digit, no decimal point, five function calculator. These five functions are: ADD, SUBTRACT, MULTIPLY, DIVIDE, and CLEAR. The calculator has 3 inputs ( $K_1$ ,  $K_2$ ,  $K_3$ ) that are designed to be driven by a keyboard matrix and two sets of outputs: 6 "digit" outputs and 7 "segment" outputs. The segment outputs provide a positive true, 7 segment code that represents the information in the calculator's display register. These outputs are multiplexed such that the 7 segment code for digit 1 appears on the segment outputs during digit time 1. The code for digit 2 appears during digit time 2 and so on as illustrated in *Figure 1*. These outputs are designed to drive a LED readout in a "digit" multiplexed manner by strobing the LED characters with the digit outputs. The digit outputs can not drive the LED display directly and must be buffered

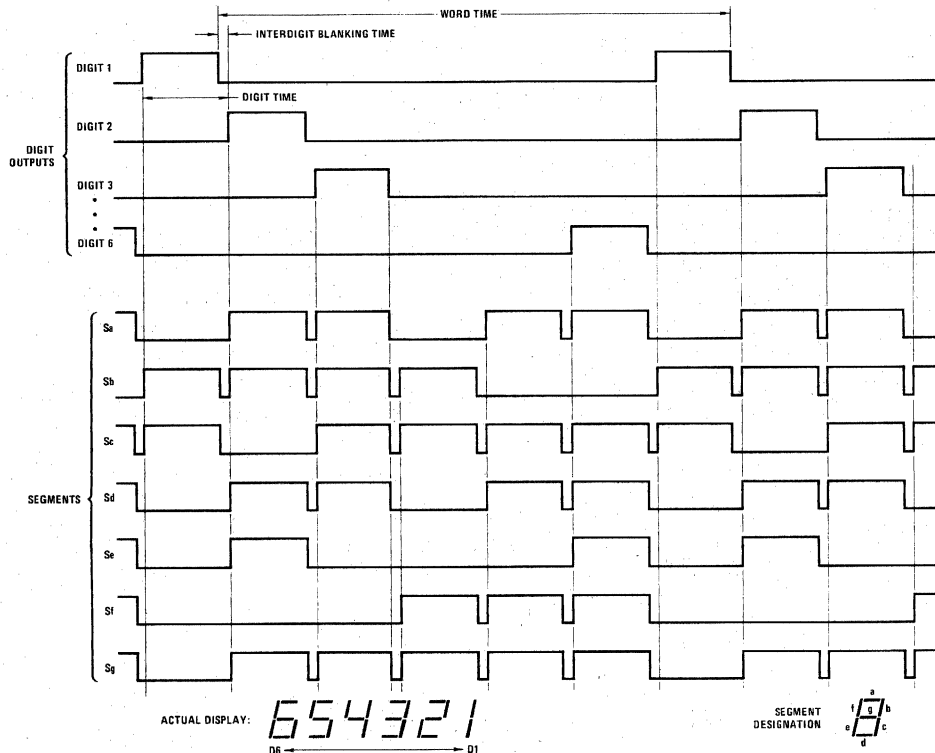


FIGURE 1. Display Timing Diagram

with a DM75492 digit driver. The segment outputs will drive some LED displays directly but the designer must choose the display carefully if he does not wish to use segment drivers. National's line of low current LED displays, such as the NSN66A and NSN98A, can be driven directly by the calculator chip.

### ENTRY INTO THE CALCULATOR

Numbers are entered into the calculator by connecting the appropriate digit output to either the  $K_1$  or  $K_2$  input. Arithmetic operations (and the clear operation) are initiated by connecting the appropriate digit output to the  $K_3$  input. Table I shows the combinations of digit outputs and K inputs.

TABLE I.

| Digit # | $K_1$ | $K_2$ | $K_3$ |
|---------|-------|-------|-------|
| 1       | 0     |       | CLR   |
| 2       | 1     | 6     |       |
| 3       | 2     | 7     | -     |
| 4       | 3     | 8     | +     |
| 5       | 4     | 9     | X     |
| 6       | 5     |       | ÷     |

Note: Blanks are illegal connections.

Switch debounce is done in the calculator chip and is accomplished by requiring that the digit output of interest be connected to the proper input for at least 8 consecutive word times (see *Figure 1*). Before another entry can be made, at least 8 word times must elapse during which none of the digits outputs are applied to the K inputs. This requirement limits the speed of the calculator but is necessary to provide an adequate debounce timeout. A method of speeding up this timeout is discussed later.

### POWER REQUIREMENTS

The MM5736 will operate from a single supply voltage anywhere between 6.5V and 9.5V. The calculator chip

itself will draw about 6 mA. If a LED display is driven directly, without segment drivers, the current that drives the display must come through the calculator so the total power supply current could be as high as 110 mA but will typically be about 50 mA. This is dependent to some extent on the supply voltage and the nature of the particular digit drivers that are used.

### NO POWER SUPPLY RAMP ALLOWED

The power supply voltage must come up to an operational level fairly quickly since a slow ramp will not always initialize the calculator properly. The chip was designed for battery operation where the dc source is switched. If the chip is used in a system with a heavily filtered power supply, some provision should be made to allow the  $V_{SS}$  terminal of the calculator to rise abruptly. After power up, the calculator should be cleared twice to ensure that all registers are reset to zero. The first CLEAR operation affects only the display register, the second CLEAR affects all other registers.

### CMOS COMPATIBILITY

The MM5736 is directly compatible with Nationals' 74C line of CMOS. The number of CMOS loads the calculator can drive is limited only by degradation in waveshape due to capacitive loading. Loads of 200 pF or less should present no problem to the digit outputs but the segment outputs should not be loaded with more than about 50 pF. This means fanout should be limited to about 10 on the digit outputs and 4 on the segment outputs. The CMOS can be run from the same supply as the calculator and still drive the calculator inputs directly. This compatibility makes interfacing with the calculator a breeze.

### SIMPLEST COUNTER

*Figure 2* shows a 6 decade counter that drives a display and requires a minimum of parts. This circuit's maximum counting rate will typically be about 60 Hz. Some chips may run as slow as about 40 Hz while some may run as fast as 150 Hz due to inherent variations of the on-chip oscillator from calculator to calculator. This counter is useful in applications where speed is not

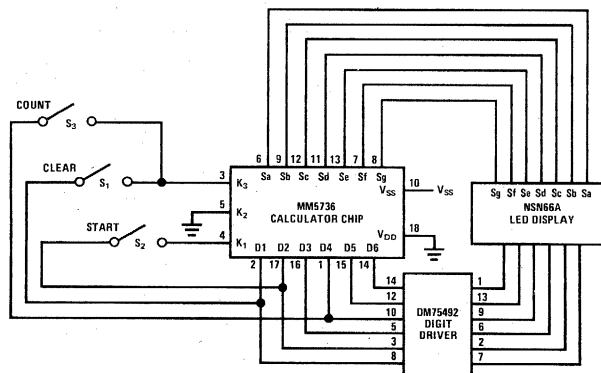


FIGURE 2. Simplest Counter

an important factor and where the counter is reset manually. The resetting of this circuit consists of two operations, clearing the calculator and entering a 1 into it again (only one CLEAR operation is needed following an arithmetic operation). The circuit in *Figure 2* leaves these two operations to the operator; he must first clear the counter by depressing  $S_1$  to the CLEAR position and then he must enter a 1 into the machine by depressing  $S_2$  to the START position. This allows the operator to control when the counting starts without gating the "count" input.

In case the impact of this escaped you, let's repeat it: the circuit in *Figure 2* demonstrates a 6 decade counter and everything that is needed to drive a 6 digit LED display, yet this circuit requires only two integrated circuits!

*Figure 3* indicates how to build this same counter using segment drivers. The DM8895 segment driver can be mask programmed to source several values of current. Since the values of current that are readily available will change from time to time, National should be consulted about the DM8895 before a design using it is undertaken. The general range of currents available is from 5.0 mA up to about 17 mA per segment. This means that fairly large displays can be used. Noteworthy is the fact that the current that drives the display in this configuration is not supplied by the calculator chip. Instead, this current comes from the  $V_{CC}$  supply terminal of the DM8895. The DM8895 will continue to

operate as long as the voltage between the  $V_{CC}$  terminal and each output is at least 1.6V. This means  $V_{CC}$  can be operated at a lower level than  $V_{SS}$ , resulting in a power saving. The voltage on an output of the DM8895 when the segment is ON is determined by the saturation voltage of the digit driver (typically 1.0V for the DM75492) and the voltage across the LED (typically about 1.8V). Consequentially the typical minimum value of  $V_{CC}$  is about 4.4V. Worst case conditions will result in a minimum  $V_{CC}$  of about 5.3V.

*Figure 4* again indicates how to build this same counter but this time using different segment drivers. In this circuit, the current drive to the LED's is determined by the external current limiting resistors. Here again the current to the display is supplied by  $V_{CC}$  which can be less than  $V_{SS}$ , again resulting in a power saving and the ability to drive large LED displays.

### SELF STARTING COUNTER

With the addition of only one package of CMOS gates, a counter can be built that does not require a separate "start" operation to enter an initial 1 into the calculator chip. This circuit is shown in *Figure 5*. When the RESET switch is returned to its normal position after clearing the calculator, the additional parts generate a delayed pulse that gates digit output 2 into the calculator and thus enters a 1. This allows the counter to be reset in a single operation.

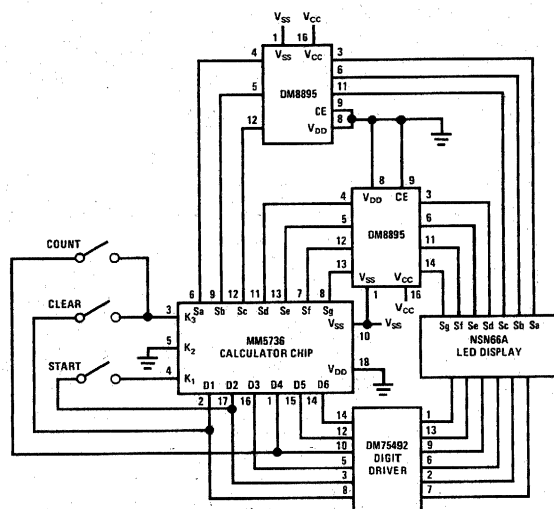


FIGURE 3. Counter with Segment Drivers

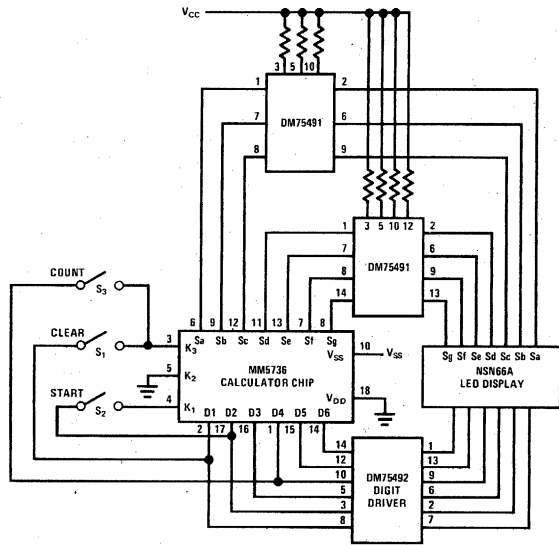


FIGURE 4. Counter with Segment Drivers and External Current Limiting Resistors

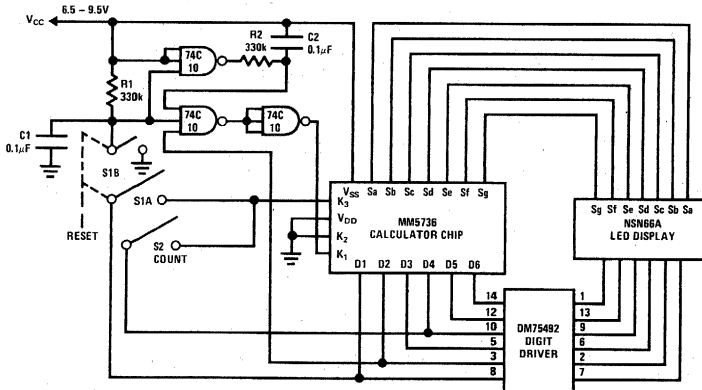


FIGURE 5. Counter with a Single Clear Switch

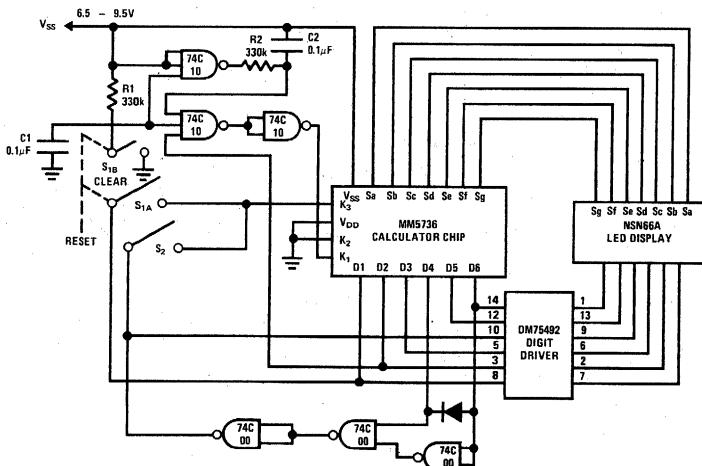


FIGURE 6. Counter with Increased Speed

**FASTER COUNTING RATES**

Figure 6 illustrates how to speed up the circuit shown in Figure 5 so that it will count at a higher rate. The actual maximum counting rate attainable with this circuit will depend on the particular MM5736 used but will run from about 80 Hz up to about 300 Hz. A reasonably typical speed is about 120 Hz. This circuit could also be used with segment drivers as previously described. The increase in counting rate is obtained by feeding digit output 6 back to the digit 4 output thereby fooling some internal logic. However this results in a double pulse on the digit 4 output which must be gated back to a single pulse at the normal digit 4 time. This requires one diode and one additional package of CMOS gates. In reality, very few relays or switches will operate at these speeds. Consequently, applications requiring these higher counting rates may have a normal logic signal to count rather than relay closures. Figure 8 illustrates this. In this configuration the input must be high at least 4 word times and the duty cycle cannot exceed 50%. A word time will vary from 420µs to 1.6 ms with 1.0 ms being typical.

**MORE VERSATILITY**

These counters can be made to count by numbers other than 1 by causing the desired number to be entered into the calculator during the START operation. Table I indicates which connections must be made. The counters can also be made to count down by doing successive subtractions rather than successive additions. Both could be used to build an up/down counter, the only restriction being that trying to count up and down at the same time is no fair. Figure 7 shows a circuit that counts up and down by 4's. Such a counter might be used to keep track of inventory in a bin. In this case, the parts to be inventoried are packaged in groups of 4. When a package is put into the bin, switch S<sub>2</sub> is activated and the counter adds 4 to the accumulated total. When a pack-

age is taken out of the bin, switch S<sub>3</sub> is activated and the counter subtracts 4 from the accumulated total.

**RETAINING FULL USE OF THE CALCULATOR**

Counters can be built such that full use of the calculator is retained. This requires that the usual keyboard arrangement of the calculator be undisturbed by the counting logic. Figure 8 illustrates a circuit that uses MOS transistors to accomplish this. In this circuit, normal calculator operation is retained when S<sub>2</sub> is in the "calculate" position since all four MOS transistors (Q1-Q4) are "off" (gates are at V<sub>CC</sub>) and the circuit is essentially the same as the "recommended calculator" circuit in the MM5736 data sheet. If the "RESET" switch is activated D1 is connected to K<sub>3</sub> and the calculator is cleared. Capacitors C1 and C2 are discharged while S<sub>1</sub> is activated but as soon as S<sub>1</sub> is released C1 and C2 will charge up generating a delayed pulse (negative going) on the gate of Q2 which gates D2 into K<sub>1</sub> and causes a 1 to be entered into the calculator. The delay caused by C1 is necessary to allow the CLEAR function to be debounced by the calculator chip as mentioned earlier. When S<sub>2</sub> is in the "COUNT" mode Q4 is turned on and D6 is tied to D4. This doubles the maximum counting rate by reducing the internal debounce timeout. The count input is now enabled and an input pulse will turn Q1 on. This gates D4 into the K<sub>3</sub> input and causes the calculator to perform an addition. Each subsequent input pulse causes 1 to be added to the sum. When S<sub>2</sub> is returned to the "calculate" position the count input is disabled and Q4 is turned off returning the keyboard logic to its normal state. This same circuit can be implemented with MM74C02 NOR gates instead of MM74C00 NAND gates. The MOS transistors can then be replaced with an MM5616 CMOS switch.

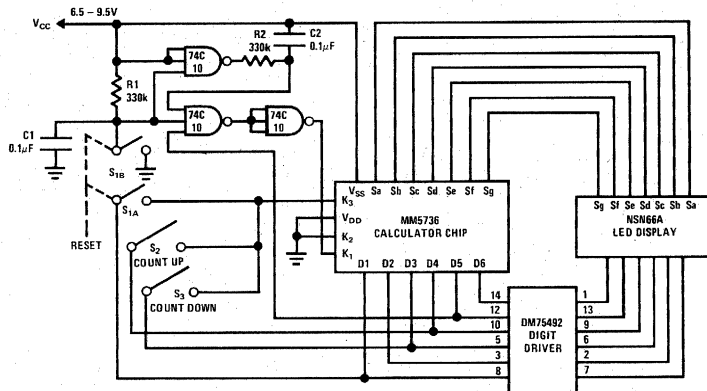


FIGURE 7. Up-Down Counter



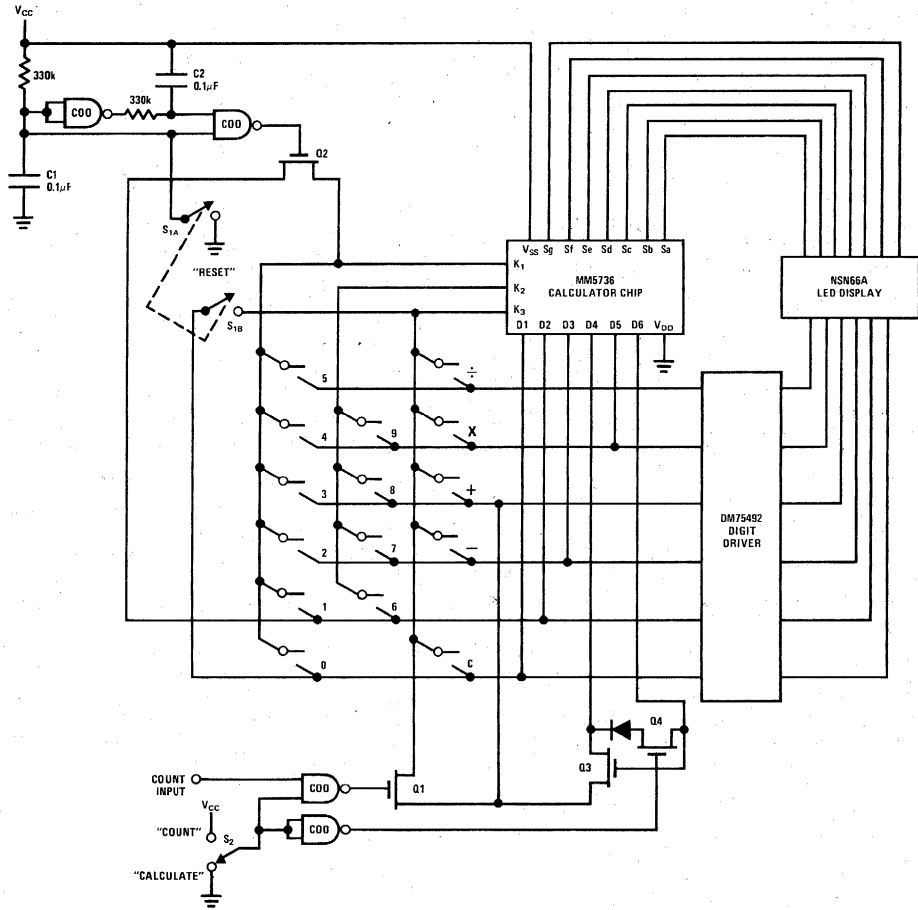


FIGURE 8. Calculator/Counter

**SUMMARY**

Many versatile counters can be built using the MM5736 or its 9-digit equivalent, the MM5739, calculator chips. These counters should yield very cost effective solutions to a variety of counting applications. The major disadvantage of these counters is that they are relatively slow. The major advantages these counters offer are:

1. The ability to directly drive a LED display.
2. The ability to debounce switch or relay inputs.
3. 6 decades of counting in one DIP.
4. Low cost.
5. Low parts count.



## CALCULATOR LEARNS TO KEEP TIME

### INTRODUCTION

A number of interesting stopwatch and elapsed time functions can be implemented using the MM5736 calculator chip and a few packages of CMOS gates. This note describes six different circuits that are intended to stimulate thinking along these lines. The circuits to be described are listed below.

1. Stopwatch with 1/10 second resolution
2. Stopwatch with 1/100 second resolution
3. Stopwatch/calculator (1/10 second resolution)
4. Stopwatch/calculator (1/100 second resolution)
5. Stopwatch with 1/10 secs, secs, mins display
6. Interval timer with keyboard and alarm

With the exception of circuits 5 and 6 all of these circuits work in decimal fractions of seconds. They do not display in seconds and minutes. Circuit 6 displays minutes and tenths of minutes but not seconds. Circuit 5 displays tenths of seconds, seconds and minutes. It is anticipated that a number of applications can be satisfied by counting in only one unit, either seconds or minutes.

In all these circuits, the MM5736 calculator chip is used in the autosumming mode as a counting and display element. Application note AN-112 illustrates how to accomplish this counting. A thorough understanding of the calculator's operation as a counter can be gained from AN-112 and the MM5736 data sheet. Consequently, the emphasis in this note is on controlling the counter in such a way that useful timing functions are performed.

Two types of timebases are also described. The first, a CMOS RC oscillator, is depicted in all the circuits described but may not be stable enough for some applications. Consequently, a simple crystal controlled timebase is also described.

### STOPWATCH WITH 0.1 SECOND RESOLUTION

The circuit in *Figure 1* provides the classic stopwatch functions of:

- A) START
- B) STOP
- C) RESET

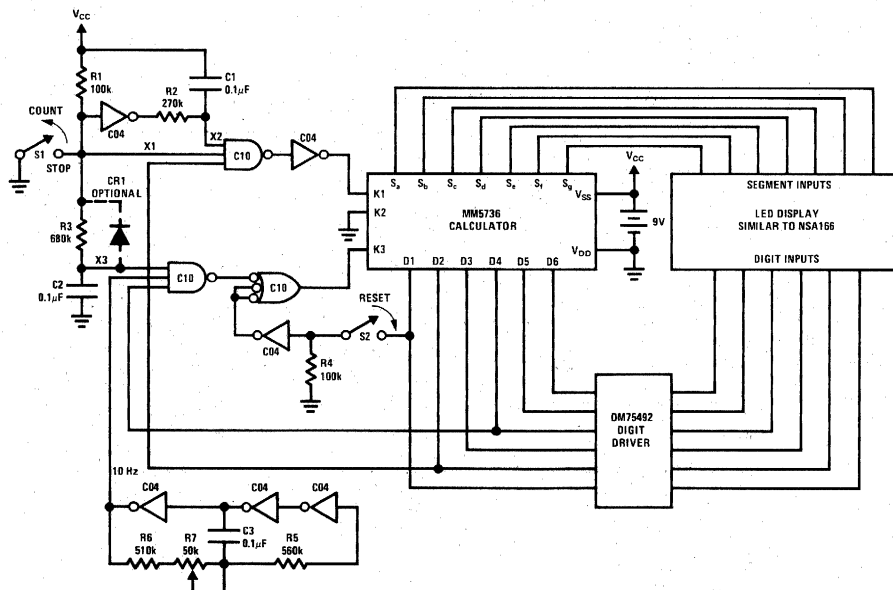


FIGURE 1. 1/10 Second Stopwatch

This implies that timing may continue after it has been stopped without resetting to zero. The display will be in tenths of seconds and seconds. Thus, 3 minutes 11 1/2 seconds would be displayed as 191.5 seconds.

### Circuit Description

The RESET switch simply gates D1 into the K3 input of the calculator and clears it. Upon initial power up it will be necessary to activate RESET twice. From then on, only one RESET activation is necessary.

When the COUNT switch is activated, R1 pulls up signal X1. This makes all the inputs to the 3 input gate high and gates D2 into input K1. This will cause a 1 to be entered into the calculator. Signal X2 is delayed by R2 and C1 and will go low about 25 ms after X1 and shut off the D2 pulses being gated into input K1. About 40 ms after this, signal X3 (which is delayed through R3) goes high and D4 is gated into the K3 input at a 10 Hz rate. This causes repeated additions and results in the calculator counting at this rate. When the COUNT switch (S1) is returned to the STOP position the additions will be stopped about 60 ms later (after X3 is delayed through R3). This delay hardly seems objectionable since it is less than the resolution of the counter. However, purists may feel the addition of CR1 is necessary. This will cause the counting to stop immediately after S1 is returned to the STOP position since C2 will be discharged immediately.

The LED display shown differs from the NSA166 only in the placement of the decimal point.

### STOPWATCH WITH 0.01 SECOND RESOLUTION

Figure 2 depicts a circuit that is identical to the one shown in Figure 1 except that it has a resolution of 0.01 sec. This means the counter must run at a 100 Hz rate which is normally beyond the capability of the MM5736. However, as described in AN-112, a trick can be played with D6 and D4 that will double the effective counting rate of the calculator. This trick is accomplished by forcing D4 high during D6 time. SWD is a bilateral switch that connects D6 to D4. CR2 keeps D4 off D6. SWC is turned off during D6 time so the extra pulse on the D4 line will not get to either the LED display or the data entry logic.

The remainder of the circuit operates exactly like the one in Figure 1 with the exception that some of the gating is implemented with the MM5616 switches.

### STOPWATCH/CALCULATOR WITH 0.1 SECOND RESOLUTION

Figure 3 depicts a combination stopwatch and calculator. Stopwatch operation is the same as described earlier with the following exceptions: Transistors Q1 and Q2 (which are small GP switches) are used to switch either D2 or D4 to the calculator inputs. This allows the keyboard and the stopwatch logic to operate in parallel in what amounts to a "wire OR'ed" arrangement. Also there is no RESET switch in this circuit since the calculator's CLEAR key can be used to reset the time to zero.

Normal "four function" calculator operation is available when S1 is in the "CALCULATE" position.

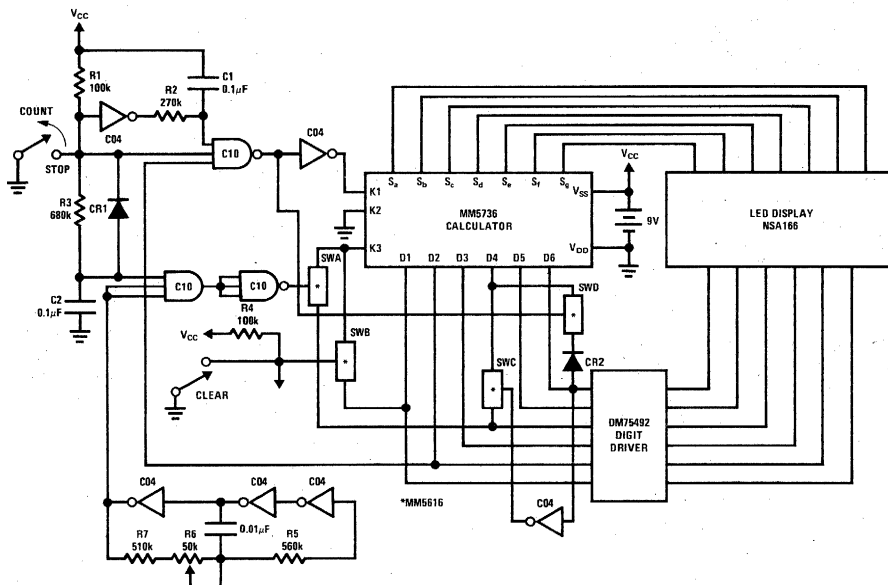


FIGURE 2. 1/100 Second Stopwatch

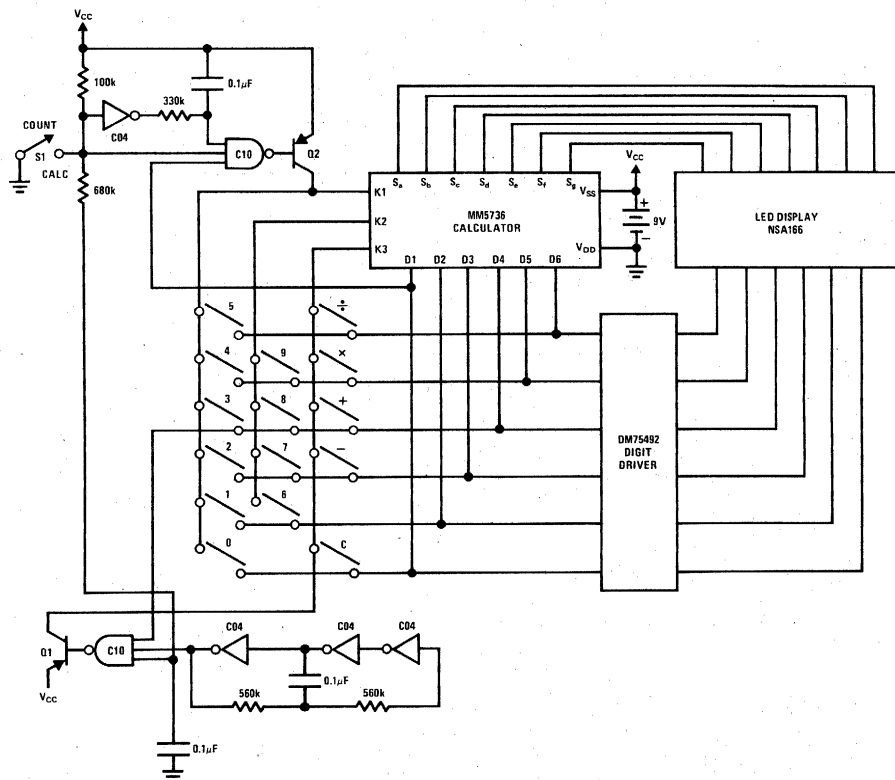


FIGURE 3. 1/10 Second Stopwatch/Calculator

### STOPWATCH/CALCULATOR WITH 0.01 SECOND RESOLUTION

Figure 4 is just a souped up version of Figure 3. It will count at a 100 Hz rate giving a 0.01 second resolution to the stopwatch. Switch S2 now needs to be DPDT type. One pole of the switch provides the start-stop function and one pole is used to switch in the "speed-up" circuit involving D4 and D6. The additional gating keeps the extra pulse from reaching the display and keyboard.

### STOPWATCH/CALCULATOR DISPLAYS MINUTES AND SECONDS

The conventional time keeping format of minutes and seconds can be obtained with the additional logic shown in Figure 5. This circuit provides a display of time up to 999 minutes, 59.9 seconds. But this requires a base sixty counting capability that is not inherent in the calculator chip. This conversion is accomplished by recognizing when the count has gone to 60.0 seconds and then quickly adding 40.0 to the count, thus giving an apparent base 60 carry. The sequence of operations required to do this is:

1. Recognize 6 in 3rd digit
2. Enter 3 into calculator
3. Enter 9 into calculator
4. Enter 9 into calculator
5. Enter + into calculator

6. Enter 1 into calculator
7. Enter + into calculator
8. Resume normal operation

This sequence leaves the calculator properly initialized with a "1" in it ready for more counting. This would not be the case if 400 was entered directly rather than as 399 + 1.

### Circuit Description -

The base 60 conversion is accomplished with a little controller that switches the Digit outputs to the proper calculator inputs through some FET switches. The sequencing it provided by an 8-bit counter and a decoder. If desired, the circuit could be re-implemented to use MM5616 quad switches rather than the MM552's shown. But, since the simplest device that will do this job is a MOS transistor, it was chosen in this particular case. It also lends itself to the negative going outputs of the MM74C42 decoder.

When the stopwatch is counting normally (rather than doing a base 60 conversion) the MSB ( $Q_D$ ) of the sequence counter will be low which inhibits counting. It also turns on transistor Q1 which will allow the counter to be preset by the output of the gate that decodes a "6" according to the expression  $S_6 \cdot S_5$ , which is a simplified version of the seven segment code for "6."

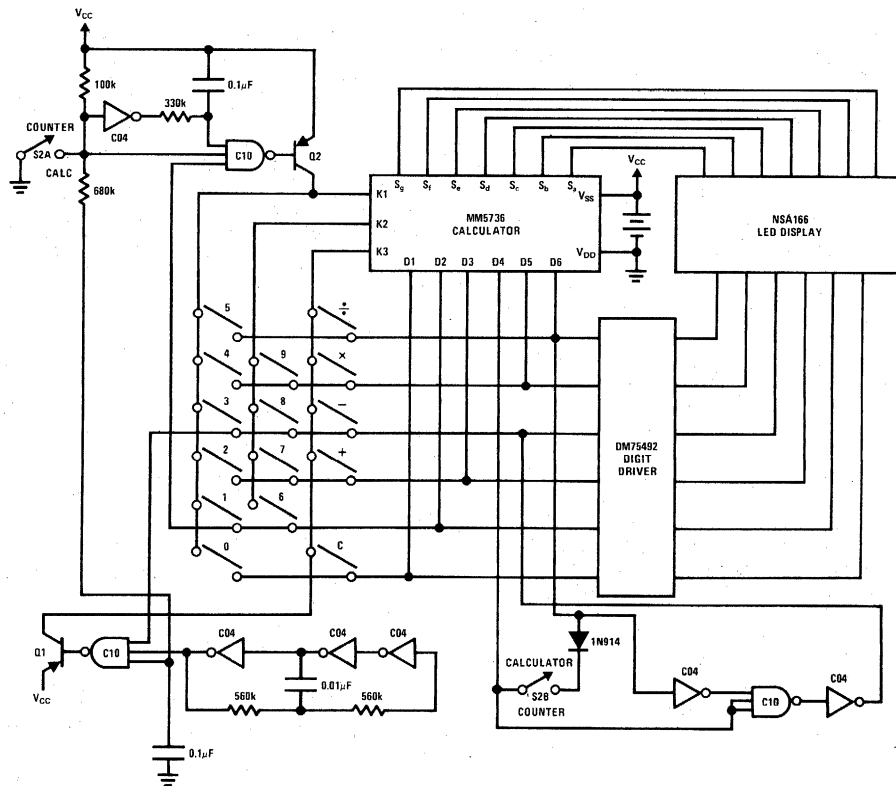


FIGURE 4. 1/100 Second Stopwatch/Calculator

Since the counter is clocked by D3, only a 6 in the 3rd digit will cause the counter to be present. This corresponds to a time of 60.0 seconds and signals the beginning of a base 60 conversion. The counter is preset to the state 1001 0000. Since the MSB is a 1, the counter's count enable term is enabled and its load term is disabled. It will now count word times on every D3.

Reference to AN-112 will reveal that with the calculator "speeded up" it is necessary to allow a digit output to be connected to the inputs for a minimum of 4 word times and then there must be at least 4 word times during which nothing is applied to the calculator inputs before the next entry is allowed. This timing is accomplished by  $Q_D$  of the low order counter. It toggles with a half period of 8 word times. This  $Q_D$  is connected to the D input of the decoder which is used as an enable input. When this signal is high, all outputs of the decoder are high and all the MOS transistors are off. When this signal is low the proper decoder output is low. So the first 4 bits of the counter provide timing and the next 3 bits provide the necessary sequence of entries. The last bit turns the sequence on or off. The sequence of entries is as described earlier and is implemented by transistors Q2-Q7.

### Initialization

When S1 is first switched to the stopwatch mode, a burst of D2 pulses is gated into the K1 input by the one shot comprised of R2, C1 and the gate that drives Q8. This enters a "1" to get the calculator ready to count. A little later, Q9 will be turned on by the timebase oscillator at a 10 Hz rate and counting will begin.

### Segment Drivers

Two DM8895 segment drivers are used in Figure 5. This is not absolutely necessary. The calculator can drive some displays directly. However, it is necessary to buffer both segment e and segment b to preserve proper logic levels for the CMOS decoding gates. This could be done by non-inverting CMOS buffers like the MM80C96 or 2 inverters in series. But if only  $S_a$  and  $S_b$  are buffered, there is no guarantee of segment intensity uniformity. Therefore, it is more desirable to buffer all segments. The DM8895 is a segment driver with internal current limiting resistors that are mask programmable. The DM75491 could also be used if external resistors are not objectionable.

**"Speed Up" Circuit**

Transistors Q11 and Q10 implement the "speed up" function in the same way as that described in *Figure 2* except that naked MOS transistors are used in place of the MM5616 CMOS switch.

**AN INTERVAL TIMER WITH A KEYBOARD**

An interval timer that can be programmed to time out long intervals can also be made using the calculator chip. The desired time interval is entered from a keyboard. When the interval is complete, a tone is emitted by a small speaker until the operator activates a RESET switch. The timer (as described) will handle intervals as long as 99999.9 minutes, which is about 69 1/2 days. This is probably too long an interval for an RC oscillator to be acceptable as a timebase. *Figure 6* shows an RC oscillator but it could be replaced by the crystal oscillator described later in this note. Counting speeds other than 0.1 minutes could be used as long as the counting speed of the calculator is not exceeded.

**Circuit Description**

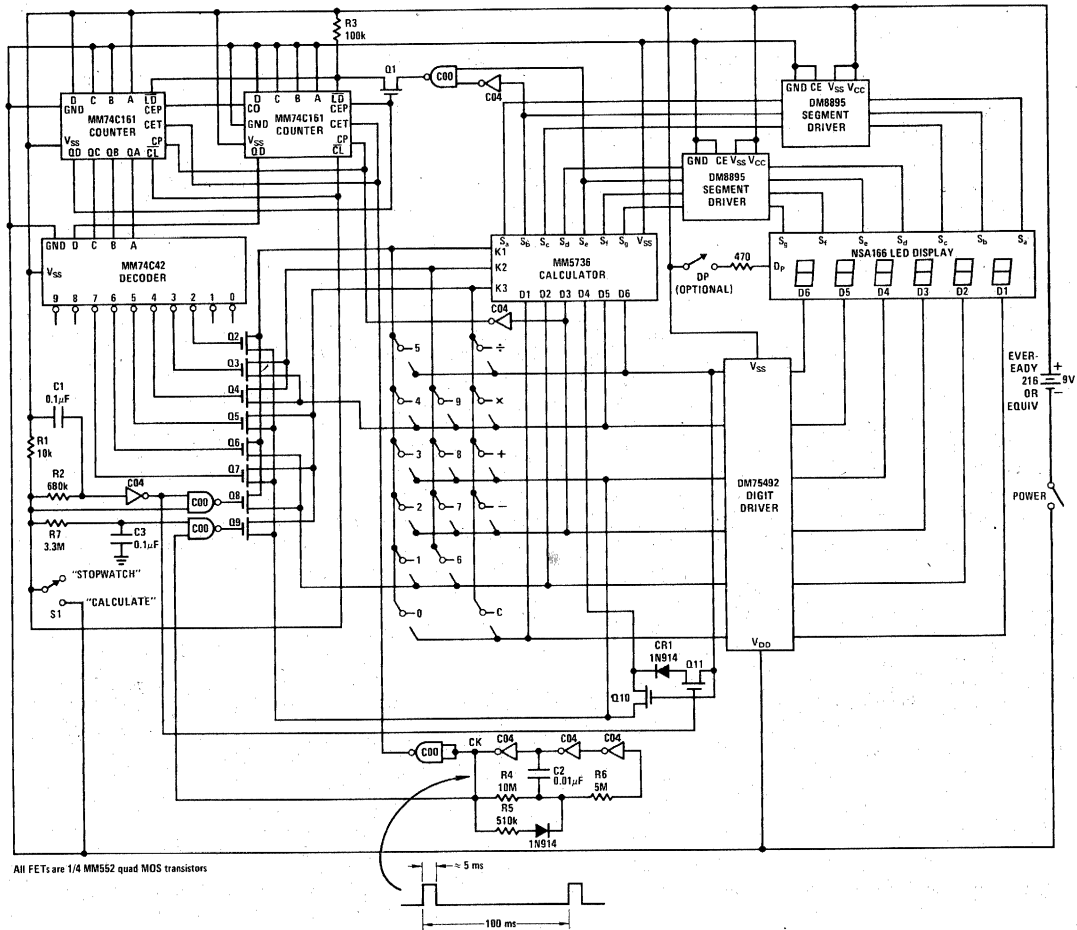
As was the case for the stopwatch described in *Figure 5*, a small controller made from a counter and a decoder is used to switch Digit outputs to the proper K input to create the sequence of entries required. The counter is clocked by a 30 Hz oscillator whose output is also gated with all the Digit lines to create the proper "key down" and "key up" times.

There are two sequences of entries required: one for RESET and one for START, the beginning of the timing interval.

**Reset Sequence**

When the RESET switch is activated, it is debounced by a latch and differentiated by C1 to generate a positive going pulse that clears the MM74C193 controller counter and the sequence proceeds as follows:

1. **Reset Latches:** The "0" output of the decoder resets the zero decode latch and the buzzer latch.



All FETs are 1/4 MM552 quad MOS transistors

**FIGURE 5. 1/10 Second, Seconds, Minutes Stopwatch/Calculator**

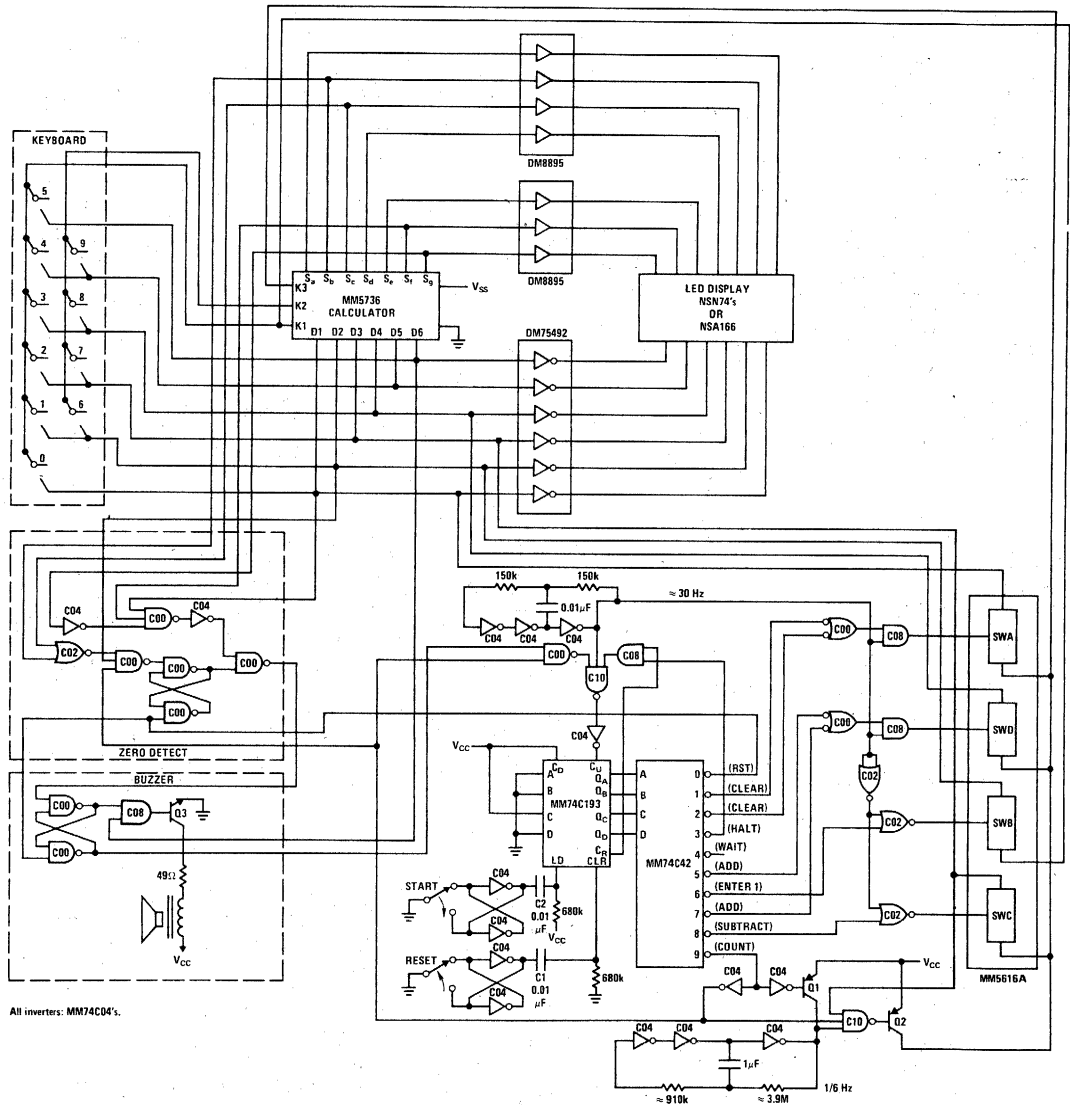


FIGURE 6. Interval Timer

**2. Clear Calculator**

**3. Clear Calculator:** Both outputs 1 and 2 of the decoder are "or'ed" and then gated to switch D1 into the K3 input of the Calculator to cause a clear. Two clears are necessary to insure that all registers are reset to zero.

**4. Halt:** Decoder output 3 forces count enable low and hangs up the counter.

**Start Sequence**

When the START switch is activated, C2 differentiates the latch output and generates a negative going pulse that loads the counter to state 4. Since this can happen at

any time with respect to the 30 Hz clock, it is necessary to wait until the counter goes to the next count before trying to enter anything into the calculator. This is done to insure that a full cycle of the 30 Hz clock elapses during the time an entry is being made. The sequence then proceeds:

**1. Synchronize:** Decoder output 4 does nothing but insure that the first application of signals to the calculator will last for a complete interval.

**2. Add:** Decoder output 5 causes D4 to be gated into input K3 causing an add. This will enter (in normal Polish notation) the number already entered from the keyboard.

3. **Enter 1:** Decoder output 6 gates D2 into K1 to enter a 1. This is the number that will be repeatedly subtracted to make the total count down.
4. **Add:** This simply causes the 1 just entered to be added to the number that was entered from the keyboard. The total will now be one count higher than desired. Since this would shake up most users, the next step corrects this.
5. **Subtract:** Decoder output 8 causes a subtraction which decrements the display by 1 and brings it back to the correct reading.
6. **Count:** Decoder output 9 makes the controller halt and also turns transistor Q1 off. Q1 was initializing the timebase oscillator so the timer won't begin to count down prematurely. D3 is also gated into the base of Q2 which causes repeated subtractions at the timebase rate.

At this point the timer simply chugs away decrementing until it reaches zero. Time remaining to zero is continuously displayed. When zero has been detected, the controller's count enable term will go high and it will advance to state 15 at which time the "carry out" term will go high and inhibit any further counting. It will stay this way until the RESET button is activated.

#### Zero Decode Logic

A zero is detected by recognizing that a blank exists in digit 2 and a 0 exists in digit 1. A blank is decoded with the expression  $S_b + S_c$  since one of these two segments is always on when any number is being displayed. When  $BLANK \cdot D2$  exists, a latch is set. Then when a zero is detected in digit 1 according to the expression  $S_f \cdot \bar{S}_g$  the buzz latch is set. This gates D6 into the base of Q3 which turns the speaker on at about a 1 kHz rate with a 1/6 duty cycle and generates a buzz. The buzz latch will be reset during the RESET sequence.

#### OSCILLATORS

Two CMOS oscillators have been mentioned: one RC and one crystal controlled. These oscillators are analyzed elsewhere in National's applications literature (AN-118) so only a summary is given here.

#### RC Oscillator

An odd number of inverting gates (NAND, NOR, INVERTERS) will always oscillate if tied around on themselves as in *Figure 7*. Most beginning logic designers have discovered this fact of life by accident at one time or another.

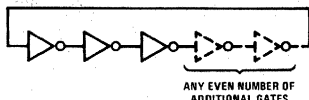


FIGURE 7. Odd Number of Gates Always Oscillates

#### Odd Number of Gates Always Oscillates

The oscillator will generate a square wave whose frequency will be determined by the propagation delay through the gates. All that remains to make this a useful

oscillator is to control the frequency of oscillation. *Figure 8* depicts a simple and foolproof way to do this.

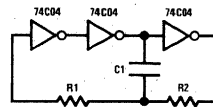


FIGURE 8. RC-CMOS Oscillator

The frequency of oscillation will be about  $f = 0.55/R2 C$  if  $R1 = R2$ .  $R2$  has the most effect on frequency and in most applications it would be a pot. Stability of the oscillator as a function of time is dominated by the passive elements, especially at frequencies as low as 100 Hz or less. Variations in output drive capability of the CMOS will be swamped if  $R2$  is 100k or more. Stability with respect to supply voltage in the range of voltages that can be used with the calculator chip (6.5–9.5V) is a function of frequency but the following is representative:

| FREQUENCY | VARIATION (6.5–9.5V) |
|-----------|----------------------|
| 100 Hz    | ≈ 3%                 |
| 10 Hz     | ≈ 0.5%               |

Empirically determined temperature drift of this oscillator due only to the CMOS is:

| FREQUENCY | DRIFT                  |
|-----------|------------------------|
| 100 Hz    | 0.03%/°C (–15 → +50°C) |
| 10 Hz     | 0.01%/°C               |

#### Crystal Oscillator

*Figure 9* illustrates how to build a crystal oscillator using CMOS. This oscillator is also described in AN-118.

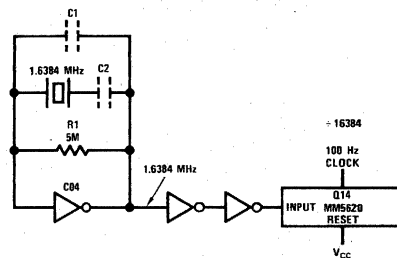


FIGURE 9. CMOS Crystal Oscillator and Divider for 100 Hz

The CMOS inverter is biased into its linear region by resistor R1. This dc path around the inverter ensures that the oscillator will start. C1 can be used to pull the crystal down and C2 to pull it up. The output of the oscillator is cleaned up by the next two inverters. This signal then is divided by 2<sup>14</sup> or 16384 to yield the 100 Hz clock needed for the 0.01 second resolution timers.

The 0.1 second resolution timers could be obtained by using the dividing logic as suggested in *Figures 10 and 11*. The interval timer could use the 0.1 minute time base shown in *Figure 12*.



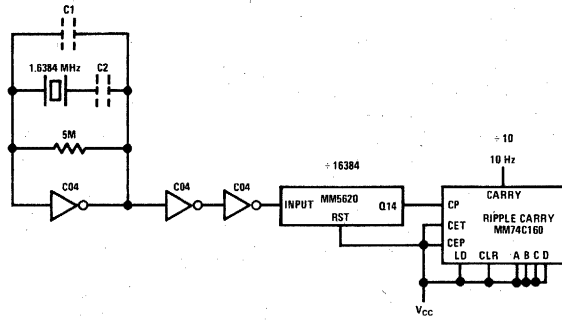


FIGURE 10. Divider for 10 Hz

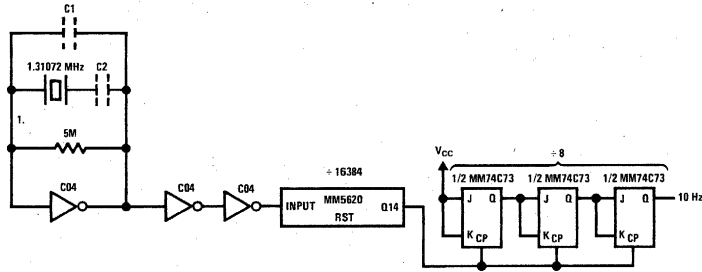


FIGURE 11. Alternate Divider for 10 Hz

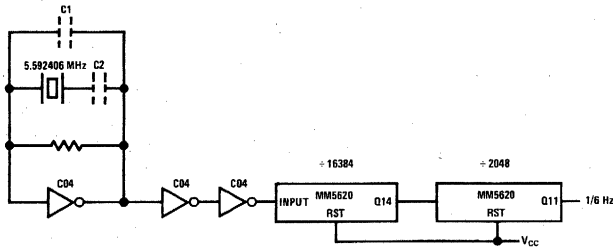


FIGURE 12. Divider for 1/6 Hz

**SUMMARY**

A rich variety of timing functions can be done digitally and many of these can be implemented with the MM5736 calculator chip. The MM5736 offers six decades of counting and display in one package and will yield low

parts count solutions to many of these problems. It can be used in a variety of ways, it interfaces ideally with the 74C line of CMOS and consumes little power.



## HANDHELD CALCULATOR BATTERY SYSTEMS

### INTRODUCTION

Batteries suitable for handheld calculator applications can be categorized into two groups: primary cells and secondary cells. Primary cells cannot be recharged efficiently or safely and are used in "throw away" systems, i.e., the end user must replace the calculator batteries at end of life. Secondary cells can be recharged after being discharged under specified conditions.

### PRIMARY CELLS

Carbon-zinc and alkaline are the best known non-rechargeable cells available for calculators. Carbon-zinc cells are low cost, but have relatively high internal resistance characteristics that reduce efficiency under high current drain conditions. They are widely available around the world in a variety of voltages, capacity and form factor options. Alkaline cells offer 300 to 400 per cent more capacity than carbon-zinc batteries of the same size and have excellent characteristics under the high drain conditions typical of LED display calculators. Both types have voltage discharge curves that fall gradually over life. Shelf life for alkaline is good, carbon-zinc poor; an important parameter if batteries are to be shipped with the finished calculator and may sit on warehouse or display shelves for unknown periods of time. Not surprisingly, alkaline cells are also three to four times more expensive than carbon-zinc. Silver oxide batteries have been used in throw-away calculator applications to achieve a more desirable form factor. Although replacements are available (the cells are often used in hearing aids and cameras) the high current drain inefficiency of the cell results in poor utilization of available capacity, and battery life is short.

### SECONDARY CELLS

Nickel-cadmium batteries have become the standard for rechargeable systems. They exhibit relatively constant discharge voltages and can be recharged many times. Internal resistance is low so they are capable of supplying high peak currents.

Figure 1 indicates the discharge characteristics of carbon-zinc, alkaline and nickel-cadmium cells.

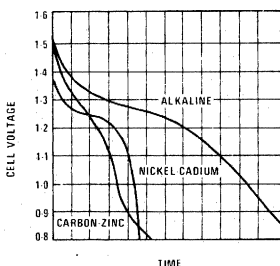


Figure 1. Comparison of Discharge Characteristics

### THE SIMPLEST SYSTEM — A 9 V BATTERY

Most National Semiconductor calculator circuits use a P-channel, metal gate MOS process with enhancement and depletion mode transistors. They are designed to operate directly from a nine volt alkaline or carbon-zinc battery. Operating voltage range is 6.5 V to 9.5 V. A nine volt battery is simply six series cells with characteristics similar to those shown in Figure 1, allowing an end-point voltage for each cell of just under 1.1 V for a worst-case calculator.

A complete calculator using a nine volt battery is shown in Figure 2. This is undoubtedly the simplest battery system available for a low cost calculator, as well as being the most efficient. The current required to drive the display and MOS circuit comes directly from the battery without any conversion of voltage.

Battery life estimates are straightforward. Assuming a nine digit calculator using the National MM5760 slide rule chip, and five "8s" as a typical display condition, it is easy to calculate total battery current drain and battery life:

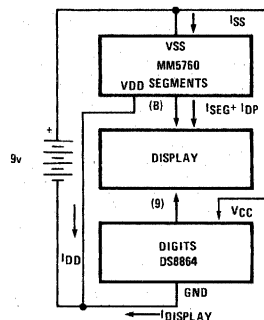


Figure 2. Power Supply Current for 9 V Calculator

Referring to Figure 2 and using typical values from the 5760 data sheet,

$$I_{\text{DISPLAY}} = I_{\text{SEG}}(\text{Ave}) + I_{\text{DP}}(\text{Ave})$$

$$= (I_{\text{SEG}}) \left( \frac{\text{no. of segments}}{\text{on per digit}} \right) \left( \frac{\text{no. of digits}}{\text{on per word}} \right) \left( \frac{\text{Digit Duty}}{\text{Cycle}} \right) + I_{\text{DP}}$$

where  $I_{\text{SEG}}$  = Peak Segment Current

$$\text{Digit Duty Cycle} = \frac{(\text{Digit Time}) - (\text{Segment Blanking Time})}{(\text{Word Time})}$$

$$= \frac{70 \mu\text{s} - 4.5 \mu\text{s}}{650 \mu\text{s}} \sim 0.100$$

Therefore, for a display of five "8s":

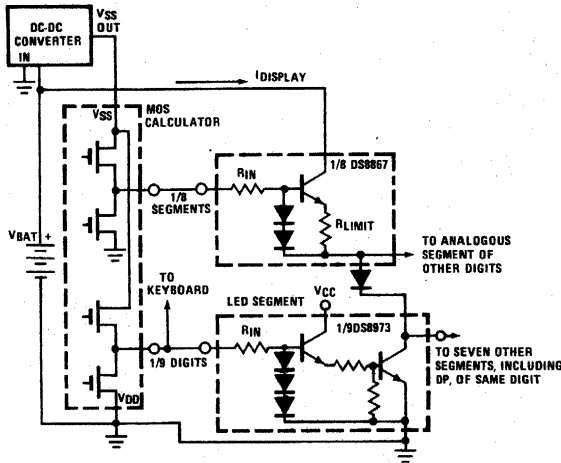
$$I_{\text{DISPLAY}} = \left( \frac{8.5 \text{ mA}}{\text{Seg}} \right) \left( \frac{7 \text{ Seg}}{\text{Digit}} \right) (5 \text{ digits}) (0.100)$$

$$= 29.75 \text{ mA}$$

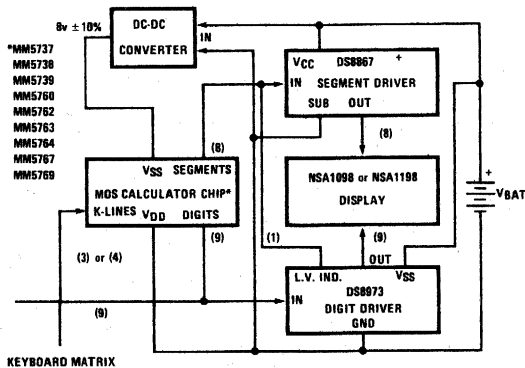
$$I_{\text{BATTERY DRAIN}} = I_{\text{SS}} + I_{\text{DD}} + I_{\text{DISPLAY}}$$

$$= 8.0 \text{ mA} + 29.8 \text{ mA} = 37.8 \text{ mA}$$





(a)



(b)

Figure 4 (a) Schematic Diagram, and (b) Block Diagram

With the exception of the MM5758 which is designed specifically to operate with a three cell battery system, all other National Semiconductor single chip calculators have low impedance segment output buffers suitable for driving LEDs directly. In a three cell system they will be capable of over-driving the DS8867. Typical input current to the DS8867 is about 1.5 mA per segment, which unfortunately must be converted up to the V<sub>SS</sub> supply and therefore does impact battery life to some degree.

Typical battery drain for a display of five "8s" in a three cell system is:

$$I_{BAT} \cong \left[ I_{DDMOS} + (I_{SEGDRIVEMOS}) \left( \frac{\text{Digit Duty}}{\text{Cycle}} \right) \left( \frac{\text{no. of segments on}}{\text{Digit}} \right) \right] \cdot \frac{V_{CONVERTER}}{V_{BAT} \cdot \text{EFF}_{CONVERTER}} + I_{SEGBAT} \left( \frac{\text{Digit Duty}}{\text{Cycle}} \right) \cdot \left( \frac{\text{no. of segments on}}{\text{Digit}} \right)$$

$$I_{BAT} \cong \left\{ 8 \text{ mA} + (1.5 \text{ mA}) \left( \frac{5}{9} \right) (7) \right\} \frac{8.0}{(3.6) (0.75)} + (17 \text{ mA}) (0.1) (5 \text{ digits}) \left( \frac{7 \text{ seg}}{\text{Digit}} \right)$$

= 100.49 mA

Using three AA alkaline cells would give a battery life of (1500 mA-hr/100.5 mA), or almost 15 hours; a 56% improvement over the two cell system for the additional cost of the DS8867 and an additional battery. 500 mA/hr ni-cad cells would provide 5.0 hours of continuous life. Note that this extended battery life is with higher display current than the two cell system, which will result in a brighter display as an added bonus.

#### FOUR CELL SYSTEM

A four cell battery system offers even higher power efficiency than the three cell system and the additional battery cost is offset somewhat by the removal of the DS8867. If the DC-DC converter output voltage is regulated between V<sub>SS</sub> - 7.5 V and V<sub>SS</sub> - 9.5 V, segments can be driven directly (Figure 5). Figure 6 shows the system diagram.

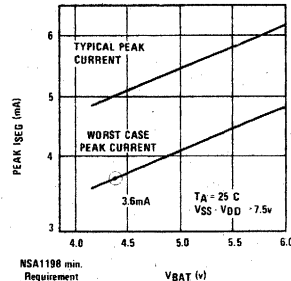


Figure 5. Guaranteed Peak Display Current vs. Battery Voltage in a Four Cell Battery System.

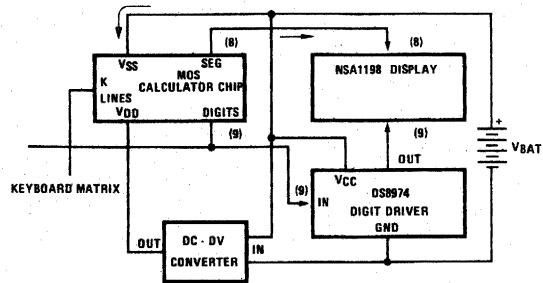


Figure 6. Four Cell Battery System

Like the three cell system, only the calculator supply needs to be converted up from the battery voltage. The display current flows in a loop from the positive terminal of the batteries, through V<sub>SS</sub> and the segment buffers of the calculator chip to the LED, then the digit driver and back to the negative side of the batteries.

Battery drain current with five "8s" displayed is: Using four AA cells would give a battery life of at least (1500 mA-hr/54.0 mA), or almost 28 hours of continuous use. Four smaller capacity cells could be used to improve the form factor of the finished calculator and still maintain a reasonable battery life. For example, four alkaline N cells would give almost 10 hours of operation.

$$I_{BAT} = I_{DDMOS} \left( \frac{V_{CONVERTER}}{V_{BAT} \cdot E_{FFCONVERTER}} \right) + I_{DISPLAY}$$

$$\cong (10 \text{ mA}) \left[ \frac{8.75}{(4.8) (0.75)} \right] + \left( \frac{8.5 \text{ mA}}{\text{seg}} \right) \left( \frac{7 \text{ seg}}{\text{Digit}} \right) (5 \text{ Digits}) (0.1)$$

$$= 54.0 \text{ mA}$$

Table 1.

| No. of Battery Cells | Calculator Type | Segment Driver | Digit Driver           | DC-DC Converter   | Typical Battery Life with AA Alkaline Cells |
|----------------------|-----------------|----------------|------------------------|---|---|
| 2                    | Group A         | None           | DS8872                 | $2.0 \text{ V} \leq V_{IN} \leq 3.0 \text{ V}$<br>$6.5 \text{ V} \leq V_{OUT} \leq 9.5 \text{ V}$<br>$I_{OUT} \leq -125 \text{ mA}$ | 9.6 hours                                   |
| 2                    | Group B         | None           | DS8874                 | $2.0 \text{ V} \leq V_{IN} \leq 3.0 \text{ V}$<br>$6.5 \text{ V} \leq V_{OUT} \leq 9.5 \text{ V}$<br>$I_{OUT} \leq -125 \text{ mA}$ | 7.7 hours                                   |
| 3                    | Group A         | DS8867         | DS8872<br>or<br>DS8973 | $3.0 \text{ V} \leq V_{IN} \leq 4.5 \text{ V}$<br>$7.2 \text{ V} \leq V_{OUT} \leq 8.8 \text{ V}$<br>$I_{OUT} \leq 20 \text{ mA}$   | 15.0 hours                                  |
| 3                    | Group B         | DS8867         | DS8879                 | $3.0 \text{ V} \leq V_{IN} \leq 4.5 \text{ V}$<br>$7.2 \text{ V} \leq V_{OUT} \leq 8.8 \text{ V}$<br>$I_{OUT} \leq -20 \text{ mA}$  | 15.0 hours                                  |
| 3                    | MM5758          | DS8867         | DS8868                 | $3.0 \text{ V} \leq V_{IN} \leq 4.5 \text{ V}$<br>$7.2 \text{ V} \leq V_{OUT} \leq 8.8 \text{ V}$<br>$I_{OUT} \leq -25 \text{ mA}$  | 14.5 hours                                  |
| 4                    | Group A         | None           | DS8872<br>or<br>DS8974 | $4.4 \text{ V} \leq V_{IN} \leq 6.0 \text{ V}$<br>$-7.5 \text{ V} \leq V_{OUT} \leq -9.5 \text{ V}$<br>$I_{OUT} \leq 20 \text{ mA}$ | 28.0 hours                                  |
| 4                    | Group B         | None           | DS8876                 | $4.4 \text{ V} \leq V_{IN} \leq 6.0 \text{ V}$<br>$-7.5 \text{ V} \leq V_{OUT} \leq -9.5 \text{ V}$<br>$I_{OUT} \leq 20 \text{ mA}$ | 23.5 hours                                  |
| 9 V                  | Group A         | None           | DS8873<br>or<br>DS8864 | None  | 14.0 hours                                  |
| 9 V                  | Group B         | None           | DS8874                 | None  | 11.3 hours                                  |

## Group A Calculators

MM5737 MM5762  
MM5738 MM5763  
MM5739 MM5764  
MM5760 MM5767  
MM5769

## Group B Calculators

MM5784  
MM5791



## USING STANDARD NATIONAL CALCULATORS IN INDUSTRIAL AND MICROPROCESSOR APPLICATIONS

It is frequently desirable to utilize a calculator component in non-calculator applications. Because of their low cost, these devices represent a cost effective method of sophisticated number processing. A few hints that are worthwhile to keep in mind when applying calculators are listed below.

### KEYBOUNCE AND NOISE REJECTION

The National line of calculators are designed to interface with low-cost keyboards, which are often the least desirable from a false or multiple entry standpoint.

When a key closure is sensed by the calculator, an internal time-out is started. Any voltage perturbations of significant magnitude which occur on the Key Input Lines during the time-out will reset the timer to zero. A key is accepted as valid only after a noise-free time-out period: noise that persists indefinitely will inhibit key entry. Key releases are checked in the same manner.

### READY SIGNAL OPERATION

The Ready signal indicates calculator status. When the calculator is in an "idle" state, the output is at a logical high level (near  $V_{SS}$ ). When a key is closed, the internal key entry timer is started. Ready remains high until the time-out is complete and the key entry is accepted as valid. As the calculator begins to process the key, Ready goes low (near  $V_{DD}$ ).

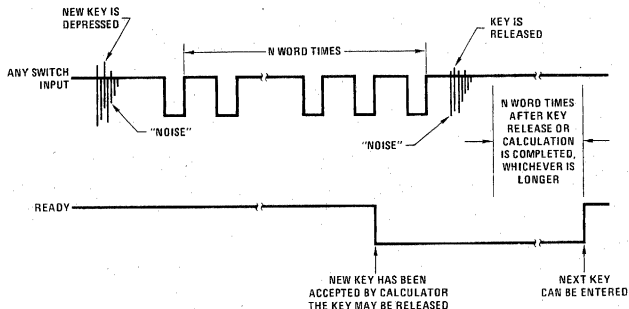


FIGURE 1. Functional Description of Ready Signal and Key Entry

Ready remains at a low level until the function initiated by the key is complete and the key is released and timed out. The low-to-high transition indicates the calculator has returned to the "idle" state and a new key can be entered. Figure 1 shows the relationship between keyboard entries and Ready.

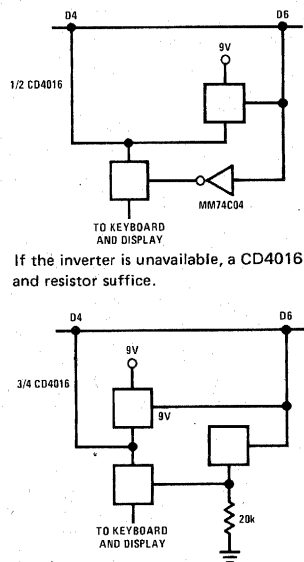
Ready can be very helpful in a non-calculator application. It can be used in the following manner:

- 1) Whenever Ready is at a logic high, enter keys.
- 2) Whenever Ready is at a logic low, inhibit all keys and wait.
- 3) The transition from low to high indicates that an external machine can change states. Also, after a period of time, the display is valid and can be sampled.

### ZERO SUPPRESSION

All calculators have some form of zero suppression. For left-justified displays, it is trailing zero suppression which is relatively easy to implement and fast. Right-justified displays require leading zero suppression. While this doesn't require much more logic, it is much slower. This can play an important role in using a calculator which must transfer results to other logic elements. After Ready goes high, it can take up to 7 word times before the segment information is correct. Consult Table I for specifics.

Figure 2 illustrates circuits for accomplishing the speed-ups given in Table I.



If the inverter is unavailable, a CD4016 and resistor suffice.

FIGURE 2. Calculator Speed Up Circuits

In many cases, a calculator circuit can be applied in a microprocessor system to eliminate the necessity of writing extensive floating point software routines. Figure 3 shows such a system developed for a SC/MP microprocessor. Due to variations in power supply voltages and logic levels between SC/MP and the MM5760 Mathematician calculator, a combination of CMOS and low power Schottky components has been used. The MM5760 was chosen for this particular application because 3 other pin compatible calculators, the MM5762, MM5763 and MM5764 (Statistical, Financial and Metric

Conversion) calculators will fit into the same socket and provide different algorithms.

Table II describes these functions and the codes that the SC/MP must present to the input register. SC/MP may operate either in an interrupt driven mode or through the use of the sense input. When programming the SC/MP calculator systems, it is advisable to perform the functions in the same manner as one would when operating the corresponding Novus or National Semiconductor calculator.

TABLE I

| CALCULATOR                        | NORMAL KEY BOUNCE TIME       | DEFEATED KEY BOUNCE TIME | HOW TO DEFEAT KEYBOUNCE | READY | DISPLAY CORRECT FOLLOWING READY PLUS | POWER ON CLEAR | LONG CAL | WHEN CAN SEGMENTS BE SAMPLED |
|-----------------------------------|------------------------------|--------------------------|-------------------------|-------|--------------------------------------|----------------|----------|------------------------------|
| MM5736, MM5749<br>MM5757          | 7-8 words                    | 3-4 words                | D4 high during D6       | No    |                                      | No             | 220 ms   | Middle of digits             |
| MM5737                            | 7-8 words                    | 3-4 words                | D7 high during D9       | Yes   | 7 words                              | No             | 350 ms   | Trailing edge of digits      |
| MM5738                            | 7-8 words                    | 3-4 words                | D7 high during D9       | Yes   | 7 words                              | No             | 350 ms   | Trailing edge of digits      |
| MM5739                            | 7-8 words                    | 3-4 words                | D4 high during D9       | No    |                                      | No             | 300 ms   | Middle of digits             |
| MM5758                            | 7 words                      | 4 words                  | TC high during D3       | Yes   | 0 words                              | Yes            | 3.1 sec  | Middle of digits             |
| MM5760, MM5762,<br>MM5763, MM5764 | 9 words down,<br>16 words up | same                     | none                    | Yes   | 0 words                              | Yes            | 3 sec    | Middle of digits             |
| MM5765                            | Uses ready                   |                          |                         |       |                                      | Yes            | 40 ms    |                              |
| MM5766                            | Uses ready                   |                          |                         |       |                                      | Yes            | 40 ms    |                              |
| MM5780                            | 7-8 words                    | 3-4 words                | D7 high during D9       | Yes   | 0 words                              | No             | 350 ms   |                              |
| MM5784                            | 7-8 words                    | 3-4 words                | Connect K2 to D9        | Yes   | 7 words                              | Yes            | 580 ms   | Middle of digits             |
| MM5791                            | 11 words                     | 2 words                  | Connect K2 to D9        | Yes   | 7 words                              | Yes            | 580 ms   | Middle of digits             |
| MM5777                            | 7-8 words                    | 3-4 words                | D6 high during D7       | Yes   | 5 words                              | No             | 300 ms   | Trailing edge of digits      |

TABLE II

| CONTROL BYTE<br>(HEXIDECIMAL)<br>00-08 | FUNCTION<br>OUTPUT SELECT FOR DIGITS 1-9 |        |        |         |
|--|--|--------|--------|---------|
|  | MM5760                                   | MM5762 | MM5763 | MM5764  |
| 11                                     | -*                                       | -      | -      | -       |
| 12                                     | +*                                       | +      | +      | +       |
| 13                                     | ÷*                                       |        |        |         |
| 14                                     | X*                                       | X      | X      | X       |
| 15                                     | -  |        | Freq*  | KS*     |
| 16                                     | TAN                                      | JAL*   | X̄     | Ft-in   |
| 17                                     | SIN                                      | LOAN*  | COR    | In-mm   |
| 18                                     | COS                                      | SAV*   | INT    | IN-cm   |
| 20                                     | 1/X                                      | SOD    | Ex     | mile-km |
| 21                                     | e <sup>x</sup>                           | i*     | REMy   | Ft-m    |
| 22                                     | y <sup>x</sup>                           | AMT    | y      | -       |
| 23                                     | LOG                                      | -      | X      | MC      |
| 24                                     | Ln                                       | YX̄    | REMy   | yd-m    |
| 25                                     | Vx*                                      | M+     | M+     | M+*     |
| 26                                     | STO*                                     | MR*    | MR*    | MR*     |
| 27                                     | C  | C      | C      | C       |
| 41                                     | EN                                       | =      | =      | =*      |
| 42                                     | RCL                                      | =+     | =+     | =+      |
| 43                                     | k  | CS     | CS     | CS*     |
| 44                                     | •  | •      | •      | •*      |
| 45                                     | 9  | 9      | 9      | 9*      |
| 46                                     | 8  | 8      | 8      | 8*      |
| 47                                     | 7  | 7      | 7      | 7*      |
| 48                                     | 6  | 6      | 6      | 6*      |
| 80                                     | 5  | 5      | 5      | 5*      |
| 81                                     | 4  | 4      | 4      | 4*      |
| 82                                     | 3  | 3      | 3      | 3*      |
| 83                                     | 2  | 2      | 2      | 2*      |
| 84                                     | 1  | 1      | 1      | 1*      |
| 85                                     | 0  | 0      | 0      | 0*      |
| 86                                     | ARC*                                     | n*     | CA*    | -       |
| 87                                     | CS                                       | %      | %      | %*      |

\*Multiple function key—refer to individual data sheets

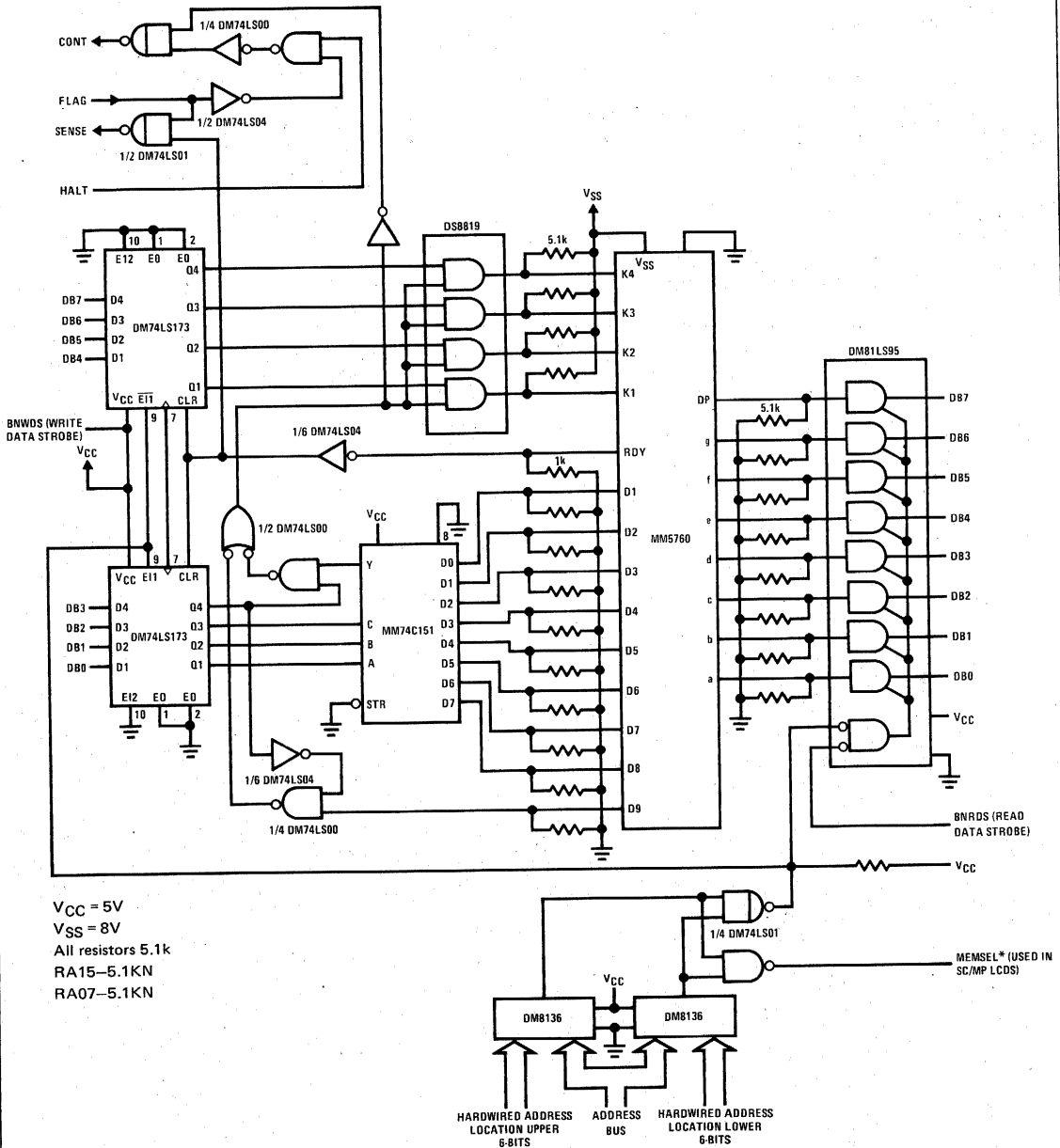


FIGURE 3. MM5760 SC/MP Interface

Operation of the circuit is straight forward; when the 8-bit control word is applied to the input register, a 9-bit multiplexer is addressed by the lower 4 bits, selecting a digit line. The upper 4 bits then gate the digit output through to the key inputs; the Ready line clears the input register and indicates acceptance to the processor. When the Ready line returns to its original state, another command may be entered. To

receive the output of the calculator, the processor should load the lower 4 digits of the input register with the code corresponding to the digits required and the upper 4 digits with zeroes—the multiplexer output signal then indicates availability of data.

In an SC/MP system, synchronization with data is accomplished by first loading the digit code as described and



immediately entering the HALT state. The multiplexer output then drives the CONTINUE input. On start-up, the processor immediately loads the data.

In the application shown, 7-segment data plus decimal point is output to the data bus. Alternatively, one can use a 7-segment to BCD converter, DM86L25 or MM74C915, to connect the calculator output to BCD data.

A sample flow chart for the microcomputer program is depicted in Figure 4.

In summary, a reasonably low cost, low speed, arithmetic capability may be added to most systems using existing calculator components and standard logic.

TABLE III. Hexadecimal Conversion for 7-Segment Output

| DIGIT | WITHOUT DECIMAL POINT | WITH DECIMAL POINT |
|-------|-----------------------|--------------------|
| 0     | 3F                    | BF                 |
| 1     | 06                    | 86                 |
| 2     | 5B                    | DB                 |
| 3     | 4F                    | CF                 |
| 4     | 66                    | E6                 |
| 5     | 6D                    | ED                 |
| 6     | 7D                    | FD                 |
| 7     | 07                    | 87                 |
| 8     | 7F                    | FF                 |
| 9     | 6F                    | EF                 |
| .     |                       | 80                 |
| BLANK | 00                    | 80                 |

Note: 0.0.0.0.0.0.0. indicates an illegal entry. All decimal points indicate the battery save mode.

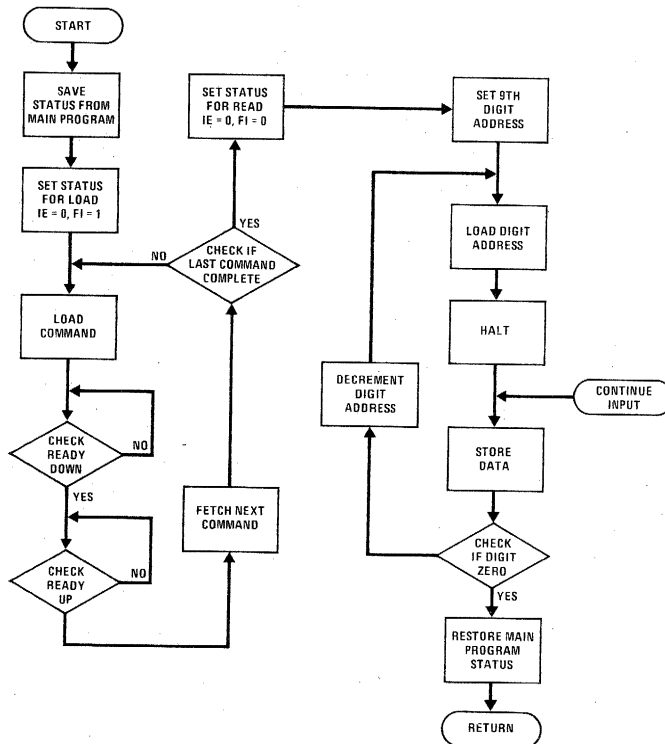
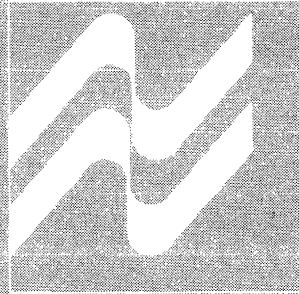


FIGURE 4



**SECTION 9**  
**CONTROLLER ORIENTED**  
**PROCESSOR SYSTEMS**  
**(COPS)**



## National's Controller Oriented Processor Systems

### introduction

National's Controller Oriented Processor Systems provide a low cost solution to low end computing and control problems. Manufactured by NSC's volume proven P-channel MOS/LSI controller process, the COPS offers an attractive, low risk alternative to custom LSI when available development time is short and cost is critical. Single mask programming of the on-chip control ROM allows delivery of prototype devices directly from the calculator production lines.

Architectural features of the COPS permit rapid efficient design and implementation of systems using key or switch inputs and display or printer outputs. Interface circuits in the COPS are designed to allow expansion of system memory and I/O capability without sacrificing the "lowest component count" features of the set.

Elements in the COPS family provide four levels of processing capability from the dedicated MM57140 single chip system with direct display and keyboard interface to the highly flexible MM5782 based multi-chip systems.

### features

- National's COPS feature P-channel metal gate process for lowest cost
- Single power supply operation
- CMOS compatibility
- Serial I/O ports for easy communication between processor and peripheral circuits
- Expandable RAM and ROM
- BCD in/out option for applications flexibility
- Direct interfacing to keyboard and display
- 10  $\mu$ s instruction cycle
- 4-bit data/8-bit instruction word
- Single mask programmable
- Learn mode programmability

### COPS elements

- Automobile displays
- Oven controllers
- Vending machines
- Specialty calculators
- Simple electronic cash registers
- Computing instruments
- Electronic scales
- Printer/display controller
- Appliance controller
- Data terminal controller
- Automated gasoline pumps
- Alpha/numeric programmable calculators

### applications

- |                   |  |
|-------------------|--|
| <b>MM5781</b>     | — 16k control and ROM element              |
| <b>MM57129</b>    | — 32k control and ROM element              |
| <b>MM5782</b>     | — Memory and processor element             |
| <b>MM5785</b>     | — Memory interface to 1024 x 1 RAM devices |
| <b>MM5788</b>     | — Printer interface to Seiko printers      |
| <b>MM5799</b>     | — Single chip microcomputer                |
| <b>MM57140</b>    | — Single chip microcomputer                |
| <b>DS8664/5/6</b> | — Decoder, digit driver and oscillator     |
| <b>DS8692</b>     | — Hex power driver (single)                |
| <b>DS8693</b>     | — 8-bit latch and driver (source)          |
| <b>MM57126</b>    | — Programmer shift register                |



## MM5781, MM5782 Controller Oriented Processor Systems

### general description

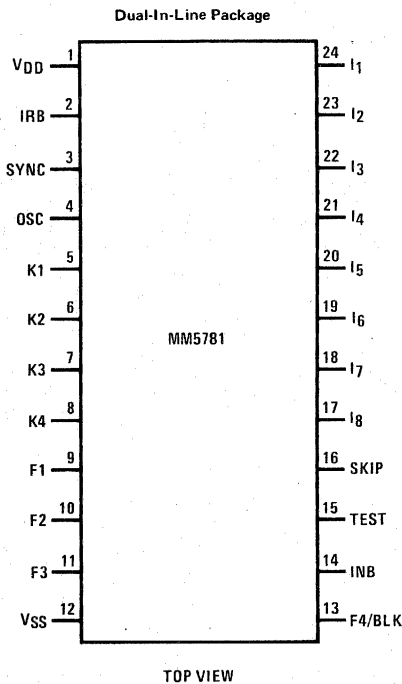
The National MM5781, MM5782 is a set of MOS/LSI circuits designed for application in low cost, versatile, dedicated or custom programmed calculator and control systems.

A full capability scientific or business calculator system can be built using only four circuits, plus the keyboard, case, battery and LED display. Application as a printing calculator or in electronic cash registers is possible using National's MM5788 printer interface circuit. Both the basic ROM instruction store and read/write store are expandable.

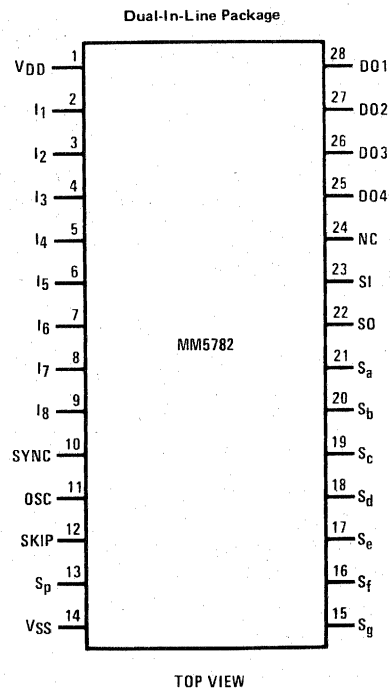
### features

- 2048 x 8-bit ROM, expandable to 8192 x 8
- 640 bits (160 digits) RAM, expandable using MM5785
- 8 parallel outputs, coded as 7-segment + d.p. or BCD
- Serial data I/O for easy interface to peripheral circuits
- 3 general purpose I/O latches
- Blanking output
- 4 strobed key inputs
- 10 $\mu$ s micro-instruction cycle time
- Single power supply operation
- 4-bit data/8-bit instruction words

### connection diagrams



Order Number MM5781N  
See Package 22



Order Number MM5782N  
See Package 23

**absolute maximum ratings**

|  |   |
|--|---|
| Voltage at Any Pin Relative to V <sub>SS</sub><br>(All Other Pins Connected to V <sub>SS</sub> ) | V <sub>SS</sub> +0.3V to V <sub>SS</sub> -12V |
| Ambient Operating Temperature  | 0°C to +70°C                                  |
| Ambient Storage Temperature  | -55°C to +125°C                               |
| Lead Temperature (Soldering, 10 seconds)   | 300°C   |

**dc electrical characteristics**

(0°C to +70°C unless otherwise noted)

| PARAMETER  | CONDITIONS  | MIN                  | TYP | MAX                  | UNITS |
|--|---|----------------------|-----|----------------------|-------|
| Operating Voltage (V <sub>SS</sub> - V <sub>DD</sub> )                           |   | 7.9                  |     | 9.5                  | V     |
| Operating Supply Current (I <sub>DD</sub> )                                      | V <sub>SS</sub> - V <sub>DD</sub> = 9.5V, T <sub>A</sub> = 25°C                       |                      |     |                      |       |
| MM5781   |   |                      | -7  | -12                  | mA    |
| MM5782   |   |                      | -15 | -25                  | mA    |
| OSC Input Voltage Levels   |   |                      |     |                      |       |
| Logical High Level (V <sub>IH</sub> )  | V <sub>SS</sub> - V <sub>DD</sub> = 7.9V  | V <sub>SS</sub> -1.0 |     |                      | V     |
| Logical Low Level (V <sub>IL</sub> )   | V <sub>SS</sub> - V <sub>DD</sub> = 9.5V  |                      |     | V <sub>DD</sub> +1.5 | V     |
| OSC Input Resistance to V <sub>SS</sub><br>MM5781 Only (R <sub>IN</sub> )        | (Note 3), (Figure 2)  |                      | 3   | 6                    | kΩ    |
| INB, K1-K4, F1-F3 Input<br>Voltage Levels  |   |                      |     |                      |       |
| Logical High Level (V <sub>IH</sub> )  | V <sub>SS</sub> - V <sub>DD</sub> = 7.9V  | V <sub>SS</sub> -3.2 |     |                      | V     |
|  | V <sub>SS</sub> - V <sub>DD</sub> = 9.5V  | V <sub>SS</sub> -4.5 |     |                      | V     |
| Logical Low Level (V <sub>IL</sub> )   | 7.9V ≤ V <sub>SS</sub> - V <sub>DD</sub> ≤ 9.5V                                       |                      |     | V <sub>DD</sub> +1.5 | V     |
| INB, K1-K4 Input Current Levels  |   |                      |     |                      |       |
| Logical High Level Current (I <sub>IH</sub> )                                    | V <sub>IH</sub> = V <sub>SS</sub> - 3.2V<br>(LED Display Interface)                   |                      |     | -350                 | μA    |
| Logical Low Level Current (I <sub>IL</sub> )                                     | V <sub>IL</sub> = V <sub>SS</sub> - 32V<br>(Fluorescent Display Interface)            | -20                  |     | 1                    | μA    |
| IRB Input Voltage Levels   |   |                      |     |                      |       |
| Logical High Level (V <sub>IH</sub> )  | 7.9V ≤ V <sub>SS</sub> - V <sub>DD</sub> ≤ 9.5V                                       | V <sub>SS</sub> -3.5 |     |                      | V     |
| Logical Low Level (V <sub>IL</sub> )   | V <sub>SS</sub> - V <sub>DD</sub> = 7.9V  |                      |     | V <sub>DD</sub> +2.5 | V     |
|  | V <sub>SS</sub> - V <sub>DD</sub> = 9.5V  |                      |     | V <sub>DD</sub> +3.0 | V     |
| I <sub>1</sub> -I <sub>8</sub> , SI, SKIP, SYNC and TEST<br>Input Voltage Levels | V <sub>SS</sub> - V <sub>DD</sub> = 7.9V  |                      |     |                      |       |
| Logical High Level (V <sub>IH</sub> )  |   | V <sub>SS</sub> -1.2 |     |                      | V     |
| Logical Low Level (V <sub>IL</sub> )   |   |                      |     | V <sub>SS</sub> -4.0 | V     |
| DO 1, DO 2 and DO 4 Output<br>Voltage Levels                                     |   |                      |     |                      |       |
| Logical High Level (V <sub>OH</sub> )  | R <sub>L</sub> = 150k, to V <sub>DD</sub>   | V <sub>SS</sub> -1.0 |     | V <sub>SS</sub>      | V     |
| Logical Low Level (V <sub>OL</sub> )   | I <sub>OL</sub> = 3μA   | V <sub>DD</sub>      |     | V <sub>DD</sub> +0.5 | V     |
| Logical High Level Current (I <sub>OH</sub> )                                    | V <sub>OH</sub> = V <sub>DD</sub> + 1.5V,<br>V <sub>SS</sub> - V <sub>DD</sub> = 7.9V |                      |     | -260                 | μA    |

## dc electrical characteristics (con't)

(0°C to +70°C unless otherwise noted)

| PARAMETER  | CONDITIONS                                      | MIN     | TYP | MAX     | UNITS |
|--|---|---------|-----|---------|-------|
| DO 3 Output Voltage Levels   |   |         |     |         |       |
| Logical High Level (VOH)   | RL = 150k, to VDD                               | VSS-1.0 |     | VSS     | V     |
| Logical Low Level (VOL)  | IOL = 3μA                                       | VDD     |     | VDD+0.5 | V     |
| Logical High Level Current (IOH)   | Battery Low "OFF"                               |         |     |         |       |
|  | VOH = VDD + 3V, VSS - VDD = 9.5V                | -1.3    |     | -0.3    | mA    |
|  | VOH = VDD + 2.5V, VSS - VDD = 7.9V              | -1.0    |     | -0.4    | mA    |
|  | Battery Low "ON"                                |         |     |         |       |
|  | VOH = VSS - 3V, VSS - VDD = 7.9V                |         |     | -0.3    | mA    |
|  | VOH = VSS - 3V, VSS - VDD = 9.5V                |         |     | -0.4    | mA    |
| SA through SG and SP Output Current Levels   | LED Display Interface to DS8867                 |         |     |         |       |
| Logical High Level Current (IOH)   | VOH = VDD + 5.4V                                |         |     | -500    | μA    |
| Logical Low Level Current (IOL)  | VOL = VDD + 0.5V                                | -1      |     | 1       | μA    |
|  | Fluorescent Display Interface                   |         |     |         |       |
| Logical High Level Current (IOH)   | VSS - VDD = 7.9V, VOH = VSS - 6V                |         |     | -300    | μA    |
| Logical Low Level Current (IOL)  | VOL = VSS - 32V, REXT = 150k to VGG = VSS - 35V | -20     |     |         | μA    |
| I1 - I8, S0, SYNC and SKIP Output Voltage Levels                                     | VSS - VDD = 7.9V                                |         |     |         |       |
| Logical High Level (VOH)   | IOH = -100μA                                    | VSS-0.5 |     | VSS     | V     |
| Logical Low Level (VOL)  | IOL = 15μA                                      | VDD     |     | VDD+3.7 | V     |
| F1 - F3 Output Voltage Levels  | 7.9V ≤ VSS - VDD ≤ 9.5V                         |         |     |         |       |
| Logical High Level (VOH)   | IOH = -30μA                                     | VSS-1.5 |     |         | V     |
| Logical Low Level (VOL)  | IOL = 3μA                                       |         |     | VDD+1.0 | V     |
| F4 (BLK) Output Voltage Levels   | 7.9V ≤ VSS - VDD ≤ 9.5V                         |         |     |         |       |
| Logical High Level (VOH)   | IOH = -0.5 mA                                   | VSS-1.5 |     |         | V     |
| Logical Low Level (VOL)  | IOL = 5μA                                       |         |     | VDD+1.0 | V     |
| Voltage Levels for All Outputs into CMOS Level                                       |   |         |     |         |       |
| Logical High Level (VOH)   | IOH = -10μA                                     | VSS-0.5 |     | VSS     | V     |
| Logical Low Level (VOL)  | RL = 200k (to VDD)                              | VDD     |     | VDD+0.5 | V     |
| Maximum Allowable Keyboard Closed Key Resistance Using INB, F1-F3 or K1-K4 as Inputs |   |         |     |         |       |
| RKEY   | LED Display Interface                           |         |     | 200     | Ω     |
| RKEY   | Fluorescent Display Interface                   |         |     | 50      | kΩ    |

ac electrical characteristics MM5781 - 0°C to +70°C, unless otherwise noted (Figure 1)

| PARAMETER                                      | CONDITIONS  | MIN  | TYP | MAX  | UNITS         |
|--|---|------|-----|------|---------------|
| OSC Input Frequency ( $1/t_p$ )                |   | 320  |     | 400  | kHz           |
| OSC Input Duty Cycle                           |   | 46   | 56  | 66   | %             |
| OSC Input Transition Times                     | (Note 3), (Figure 2)  |      |     |      |               |
| Fall Time ( $t_f$ )                            | $C_L = 25 \text{ pF}$ , $R_L = 6 \text{ k}\Omega$ , to $V_{SS}$ |      |     | 50   | ns            |
| Rise Time ( $t_r$ )                            | $RC = 0.15 \mu\text{s}$   |      |     | 350  | ns            |
| SYNC Input Timing (Bit Time)                   |   |      |     |      |               |
| Interval Time ( $t_b$ )                        |   | 10   |     | 12.5 | $\mu\text{s}$ |
| Hold Time ( $t_{osch}$ )                       |   | 100  |     |      | ns            |
| High-to-Low Set-Up Time ( $t_{stl}$ )          |   | 680  |     |      | ns            |
| Low-to-High Set-Up Time ( $t_{sth}$ )          |   | 100  |     |      | ns            |
| K1 - K4, INB, F1 - F3 Input Timing             |   |      |     |      |               |
| Set-Up Time ( $t_{sk}$ )                       |   | 6.5  |     |      | $\mu\text{s}$ |
| Hold Time ( $t_{hk}$ )                         |   | 1.0  |     |      | $\mu\text{s}$ |
| SKIP Input Timing                              |   |      |     |      |               |
| Set-Up Time ( $t_{sx}$ )                       |   | 280  |     |      | ns            |
| Hold Time ( $t_{hx}$ )                         |   | 1.0  |     |      | $\mu\text{s}$ |
| IRB, I1 - I8 Input Timing                      |   |      |     |      |               |
| Set-Up Time ( $t_{si}$ )                       |   | 1.75 |     |      | $\mu\text{s}$ |
| Hold Time ( $t_{hi}$ )                         |   | 1.0  |     |      | $\mu\text{s}$ |
| SKIP Output Propagation Delay ( $t_{pdx}$ )    | $C_{LOAD} = 250 \text{ pF}$                                     |      |     | 4.4  | $\mu\text{s}$ |
| I1 - I8 Output Propagation Delays              | $C_{LOAD} = 250 \text{ pF}$                                     |      |     |      |               |
| Low-to-High ( $t_{pdhi}$ )                     |   |      |     | 3.6  | $\mu\text{s}$ |
| High-to-Low ( $t_{pdli}$ )                     |   |      |     | 3.0  | $\mu\text{s}$ |
| F1 - F3 Output Propagation Delay ( $t_{pdf}$ ) | $C_{LOAD} = 100 \text{ pF}$                                     |      |     | 4.4  | $\mu\text{s}$ |
| F4 Output Propagation Delay ( $t_{pdf}$ )      | $C_{LOAD} = 50 \text{ pF}$                                      |      |     | 4.4  | $\mu\text{s}$ |
| F4 Output Transition Time                      |   |      |     |      |               |
| Rise Time ( $t_r$ )                            | $C_{LOAD} \geq 20 \text{ pF}$                                   | 0.3  |     |      | $\mu\text{s}$ |

timing diagram (See notes in Figure 2.)

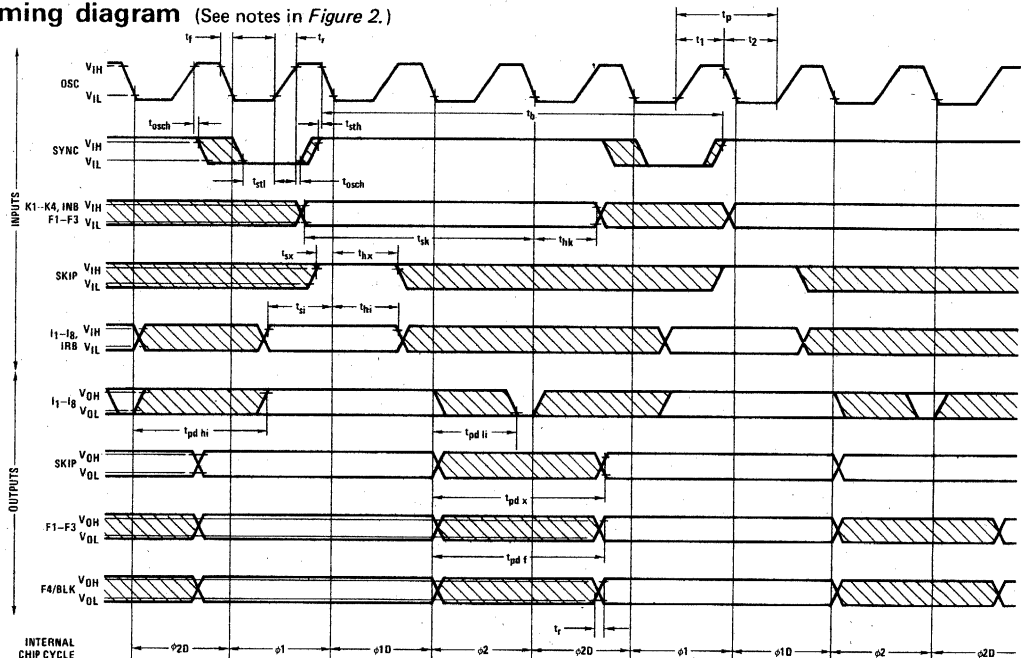


FIGURE 1. MM5781 Input/Output Waveform Timing





## functional description

## MM5781 CONTROL ROM ELEMENT (CRE)

Sixteen kilobits of ROM are organized as 32 pages of 64 8-bit instruction words each. Eight instruction lines and a SKIP signal interconnect the ROM with the MM5782 MPE circuit. Addressing is by an 11-bit P.C. register with two 11-bit push-down address save registers. Four dynamic switch inputs K1–K4 and a static switch input (INB) allow scanning of up to 56 keys and 14 static switches directly. A sixth input (IRB) drives an internal latch that can be used as a program controlled interrupt function.

There are also three program definable I/O ports (F1 – F3) and an additional blanking output F4. The F1–F4 outputs are latched. Four MM5781's may be used with a single MM5782 without additional interface circuits. Figure 3 shows the MM5781 logic diagram.

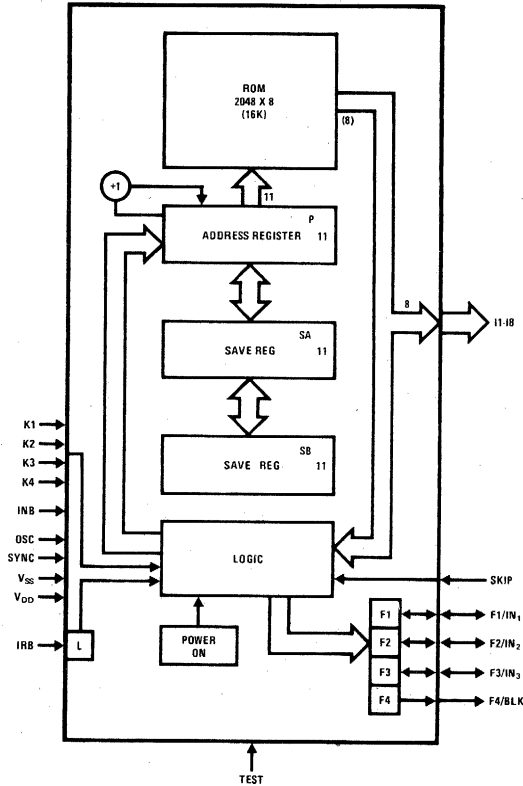


FIGURE 3. MM5781 Control and ROM Element

## MM5782 MEMORY AND PROCESSOR ELEMENT (MPE)

The MPE contains 640 bits of RAM organized as 10 16-digit registers. Other register lengths are possible under control of the program. The RAM is addressed by the 8-bit B register. The upper 4 bits ( $B_r$ ) select a particular register and the lower 4 bits ( $B_d$ ) address the 4-bit words with the register.

Arithmetic and logic functions are performed by the 4-bit binary adder with results stored in the accumulator. The C flip-flop is used for carry bit storage, display decimal point location, and may be utilized to control the skip instruction.

Digit timing information for external keyboard scanning and for driving displays is encoded into a 4-bit code and presented on the DO1–DO4 lines. Eight outputs are decoded by the segment PLA and brought out as 7 segments, BCD, or individually set outputs under program control. Display output timing is shown in Figure 5.

Serial data may be transferred from and into the accumulator A on the Serial Input (SI) and Serial Output (SO) lines. Decimal point position for serial data is given on  $S_p$ .

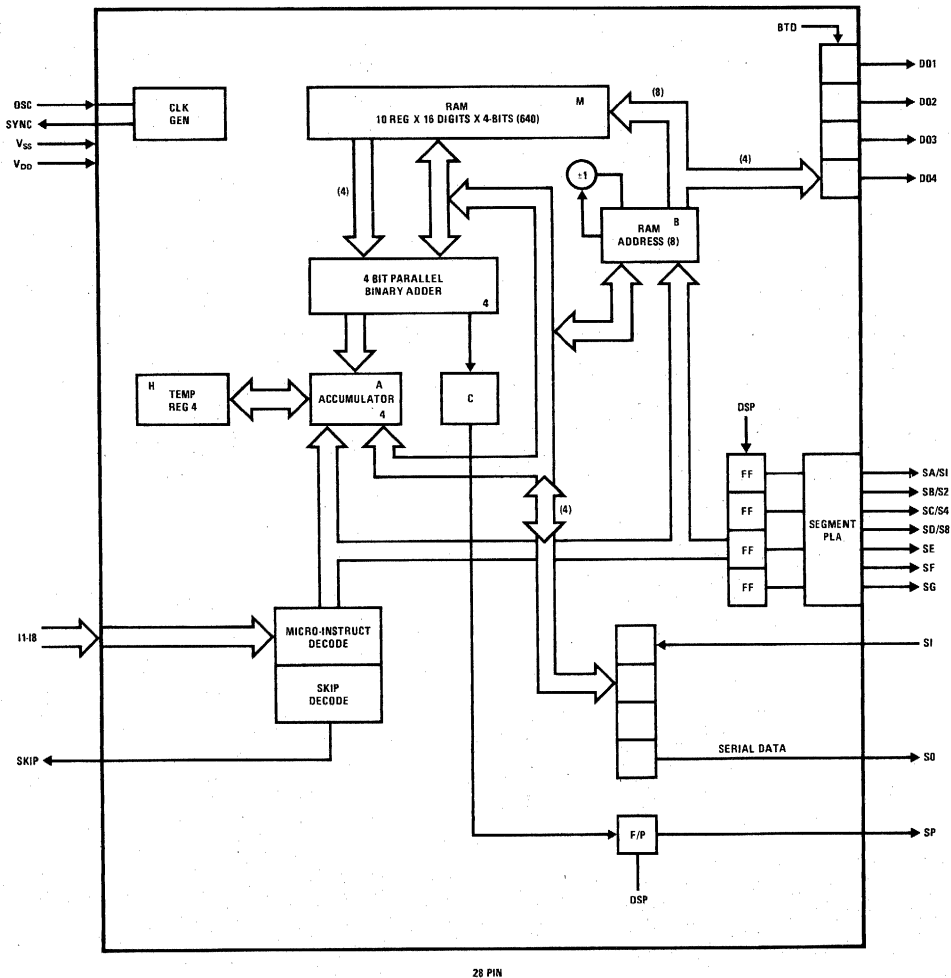
The MM5782 logic diagram is shown in Figure 4. Tables I and II list the instruction set and corresponding ROM Codes for the MM5781, MM5782 System.

## TYPICAL CALCULATION TIMES

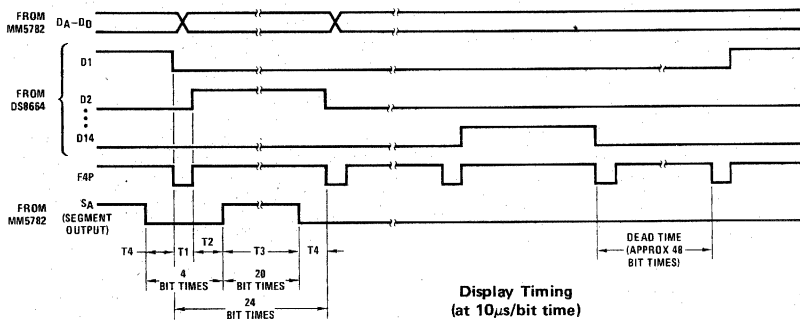
System calculation times will vary with the programmed algorithms. The formulas listed reflect one method.

- Time to add or subtract two numbers:  
 $T = ((2N + 20)M + 5N + 10) t_b$   
 where  
 $N$  = number of digits per register  
 $t_b$  = bit time =  $10\mu s$  nominal  
 $M$  = number of shifts required to align decimal point
- Time to multiply two N-Digit numbers:  
 $T = ((5N + 15)P + (4N + 20)N + 10) t_b$   
 where  
 $P$  = sum of multiplier digits, i.e., if multiplier = 3211,  
 $P = 3 + 2 + 1 + 1 = 7$
- Time to divide two N-digit numbers:  
 $T = ((5N + 15)S + (14N + 40)N + 10) t_b$   
 where  
 $S$  = sum of digits in answer, i.e., if answer = 1234,  
 $S = 1 + 2 + 3 + 4 = 10$
- Time to enter a BCD number:  
 $T = 13N t_b$

functional description (con't)



28 PIN  
FIGURE 4. MM5782 Memory and Processor Element



Note 1: Duty cycle =  $\frac{200}{240 \times 16} = \frac{1}{19.2} = 5.2\%$

Display Timing  
(at 10µs/bit time)

- T1 = 7.5µs = Digit Blanking
- T2 = 17.5µs
- T3 = 200.0µs
- T4 = 15.0µs

Digit time = 240.0µs with 7.5µs digit blanking and 40µs segment blanking

FIGURE 5. Display Output Timing



typical applications (con't)

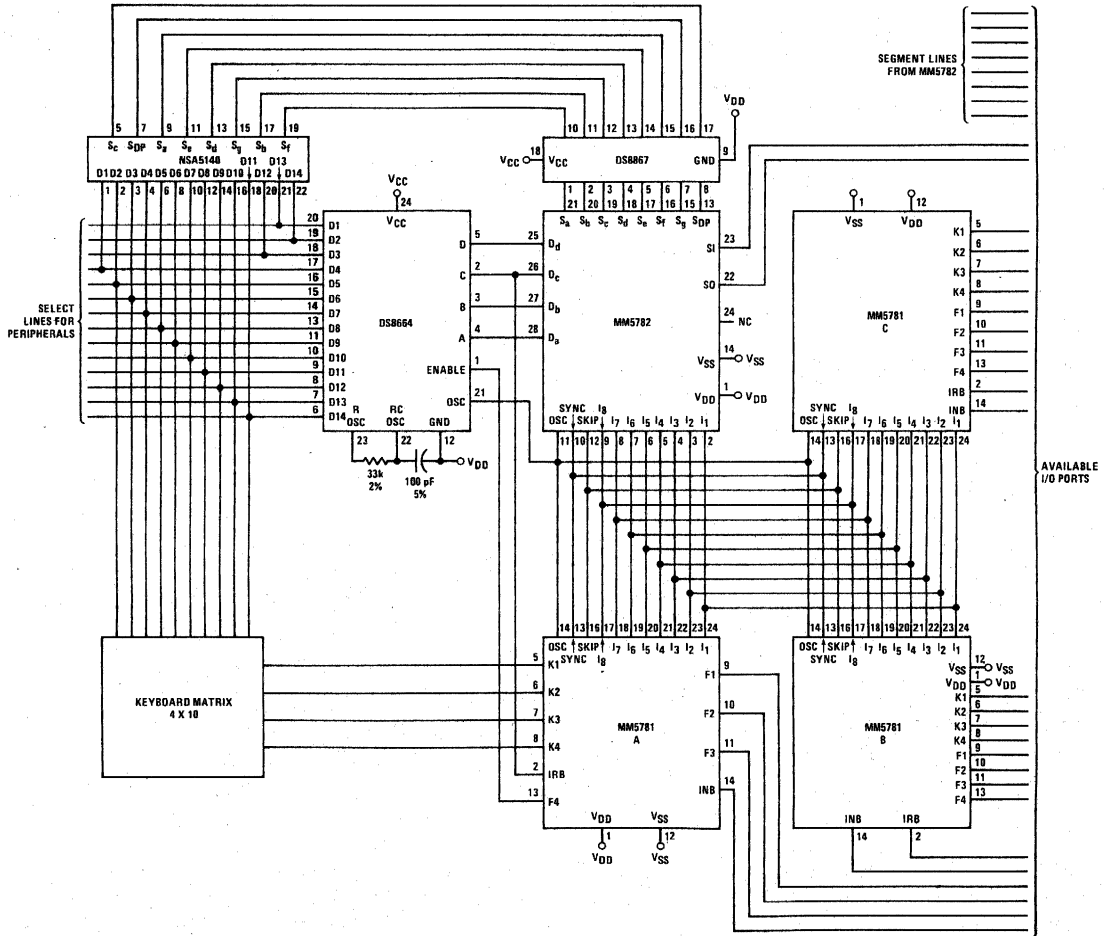


FIGURE 7. Multi-ROM System (Controller, Etc.)

Versatility of the COP set is illustrated in *Figure 7*, showing a multiple ROM system configured for an industrial controller application.

In this application, Control ROM A is programmed to debounce the keyboard inputs as described above.

Control ROMs B and C utilize the K1–K4 lines as general purpose wired inputs. If additional RAM is required, the MM5785 RAM Interface chip allows up to four 1024 x 1 RAMs to be accessed through the SI and SO parts of the MM5782.

## register and I/O port definitions

TABLE I

| DESCRIPTIONS   | DESIGNATIONS |  |  |  |  |  |  |  |  |  |   |  |   |
|--|--------------|--|--|--|--|--|--|--|--|--|---|--|---|
| <b>MPE – MEMORY AND PROCESSOR ELEMENT</b><br>640-Bit RAM<br>10 Registers x 16 Digits x 4 Bits (r x d x z)<br>8-Bit RAM Address Register<br><div style="text-align: center;"> <table border="1" style="display: inline-table; border-collapse: collapse;"> <tr> <td style="width: 15px; height: 15px;"></td> <td style="width: 15px; height: 15px;"></td> <td style="width: 15px; height: 15px;"></td> <td style="width: 15px; height: 15px;"></td> <td style="width: 15px; height: 15px;"></td> <td style="width: 15px; height: 15px;"></td> <td style="width: 15px; height: 15px;"></td> <td style="width: 15px; height: 15px;"></td> <td style="width: 15px; height: 15px;"></td> <td style="width: 15px; height: 15px;"></td> </tr> </table> </div> B <sub>r</sub> (Register) B <sub>d</sub> (Digit)<br>4-Bit Accumulator<br>4-Bit Holding Register<br>1-Bit Carry Register<br>1 Latched Output (Decimal Point)<br>4 Latched Digit Outputs<br>4 Latched Segment Outputs:<br>Direct or Decoded to 7-Segment Outputs<br>Serial Input and Output |              |  |  |  |  |  |  |  |  |  | M<br><br>B<br><br>A<br>H<br>C<br>S <sub>p</sub><br>DO4–DO1<br>S <sub>a</sub> –S <sub>g</sub><br><br>SI–SO |  |   |
|  |              |  |  |  |  |  |  |  |  |  |   |  |   |
| <b>CRE – CONTROL AND ROM ELEMENT</b><br>16,384-Bit ROM<br>11-Bit Program Address Register<br><div style="text-align: center;"> <table border="1" style="display: inline-table; border-collapse: collapse;"> <tr> <td style="width: 15px; height: 15px;"></td> <td style="width: 15px; height: 15px;"></td> <td style="width: 15px; height: 15px;"></td> <td style="width: 15px; height: 15px;"></td> <td style="width: 15px; height: 15px;"></td> <td style="width: 15px; height: 15px;"></td> <td style="width: 15px; height: 15px;"></td> <td style="width: 15px; height: 15px;"></td> <td style="width: 15px; height: 15px;"></td> <td style="width: 15px; height: 15px;"></td> <td style="width: 15px; height: 15px;"></td> <td style="width: 15px; height: 15px;"></td> </tr> </table> </div> Page P <sub>p</sub> (P11 – P7)<br>Word P <sub>w</sub> (P6 – P1)<br><br>2 x 11-Bit Program Address Save Registers<br><br>4 General Purpose Flags (Latched)<br>4 Keyboard Inputs<br>Static Switch Input<br>Interrupt Input                      |              |  |  |  |  |  |  |  |  |  |   |  | I <sub>g</sub> –I <sub>1</sub><br>P<br><br>SA1–SA11<br>SB1–SB11<br>F1–F4<br>K1–K4<br>INB<br>IRB |
|  |              |  |  |  |  |  |  |  |  |  |   |  |   |

## standard instructions

|                           | MNEMONIC  | DATA FLOW  | STATUS – SKIP IF                             | DESCRIPTION   |
|---------------------------|-----------|--|--|---|
| Memory Digit Operations   | EXC (r)   | A ↔ M (B)<br>B <sub>r</sub> ⊕ r → B <sub>r</sub>                                       |  | Exchange data word at M (B) with A<br>EXCLUSIVE-OR B <sub>r</sub> with r. r = 0, 1, 2, 3  |
|                           | EXC –(r)  | A ↔ M (B)<br>B <sub>r</sub> ⊕ r → B <sub>r</sub> , B <sub>d</sub> – 1 → B <sub>d</sub> | B <sub>d</sub> → 15                          | Exchange and decrement B <sub>d</sub><br>EXCLUSIVE-OR B <sub>r</sub> with r               |
|                           | EXC +(r)  | A ↔ M (B)<br>B <sub>r</sub> ⊕ r → B <sub>r</sub> , B <sub>d</sub> + 1 → B <sub>d</sub> | B <sub>d</sub> → 0 or<br>B <sub>d</sub> → 13 | Exchange and increment B <sub>d</sub><br>EXCLUSIVE-OR B <sub>r</sub> with r               |
|                           | MTA (r)   | M (B) → A<br>B <sub>r</sub> ⊕ r → B <sub>r</sub>                                       |  | Load accumulator with data word at M (B)<br>EXCLUSIVE-OR B <sub>r</sub> with r            |
|                           | LM (Y)    | Y → M (B)<br>B <sub>d</sub> + 1 → B <sub>d</sub>                                       |  | Load memory with Y, Y = 0, 1, 2, ... 15<br>Increment B <sub>d</sub>                       |
| Memory Bit Operations     | SM (Z)    | 1 → M (B, Z)   |  | Set bit Z of M (B), Z = 1, 2, 4, 8  |
|                           | RSM (Z)   | 0 → M (B, Z)   |  | Reset bit Z of M (B)  |
|                           | TM (Z)    |  | M (B, Z) = 0                                 | Test bit Z of M (B), skip if zero   |
| Memory Address Operations | LB (r, d) | r → B <sub>r</sub> , d → B <sub>d</sub>  |  | r = 0, 1, 2, 3. d = 0, 11, 12, 13, 14, 15<br>Load B register. Successive LB's are ignored |
|                           | LBL (I)   | I <sub>g</sub> –5 → B <sub>r</sub> , I <sub>4</sub> –1 → B <sub>d</sub>                |  | 2 microcycle instruction. Load next ROM word into B register                              |
|                           | ATB       | A → B <sub>d</sub>   |  | Transfer contents of accumulator to B <sub>d</sub> register                               |
|                           | BTA       | B <sub>d</sub> → A   |  | Transfer contents of B <sub>d</sub> register to accumulator                               |
|                           | HXBR      | H ↔ B <sub>r</sub>   |  | Exchange contents of H and B <sub>r</sub> registers                                       |

## standard instructions (con't)

|                       | MNEMONIC      | DATA FLOW   | STATUS - SKIP IF   | DESCRIPTION   |
|-----------------------|---------------|---|--|---|
| Control Functions     | GO TO<br>(GO) | $I_6 - I_1 \rightarrow P_W$<br>If $P_p = 1111X:11110 \rightarrow P_p$   | SKIP   | Load next ROM instruction address. If on page 36g or 37g reset page address to 36g  |
|                       | CALL          | $I_6 - I_1 \rightarrow P_W, IIIII \rightarrow P_p$<br>If $P_p \neq IIIIX: S_A \rightarrow S_B$ ,<br>$P + 1 \rightarrow S_A$   |  | Call subroutine. If not page 36g or 37g, set page address to 37g. Push down address save registers  |
|                       | RET           | $S_A \rightarrow P$<br>$S_B \rightarrow S_A, S_B \rightarrow S_B$   |  | Pop up ROM address save registers   |
|                       | RETS          | $S_A \rightarrow P$<br>$S_B \rightarrow S_A, S_B \rightarrow S_B$   |  | RET, then skip next instruction upon return   |
|                       | LG/GO         | Load P  |  | 2 microcycle operation, long GO TO, load $P_p$ and $P_W$  |
|                       | LG/CALL       | $S_A \rightarrow S_B, P + 1 \rightarrow S_A$<br>Load P  |  | 2 microcycle operation. Long call. Load $P_p$ and $P_W$ . Push down address save registers  |
|                       | CALX (N)      | In active CRE -<br>$P + 1 \rightarrow S_A$<br>$S_A \rightarrow S_B$<br>$0 \rightarrow P$<br>In selected CRE -<br>$I_6 \rightarrow I_1 \rightarrow P_W$<br>$0 \rightarrow P_p$ |  | 2 microcycle operation, N = 1, 2, 3. Call additional CRE (N). Push down address save registers of active CRE. Load P of selected CRE (N) from next instruction word |
|                       | RTX (O)       | In active CRE -<br>$P + 1 \rightarrow S_A, S_A \rightarrow S_B$<br>$0 \rightarrow P$<br>In CRE (O) -<br>$S_A \rightarrow P$<br>$S_B \rightarrow S_A$                          |  | 2 microcycle operation. Return to CRE (O). Pop up ROM address save registers in CRE (O). Push down ROM address save registers of active CRE                         |
|                       | NOP           |   |  | No operation  |
| Arithmetic Operations | AD            | $M + A \rightarrow A$   | A < 10<br><br>Overflow<br><br>No overflow, Y ≠ 6<br><br>A = M (B)<br><br>C = 0 | Add M (B) to A, store sum in A  |
|                       | ADD           | $C + M + A \rightarrow A$<br>$0 \rightarrow C$ if $A < 10$<br>$1 \rightarrow C$ if $A \geq 10$  |  | Add carry bit to M (B), add sum to A, store sum in A<br>Set C if $A \geq 10$ , reset C if $A < 10$  |
|                       | SUB           | $M + \bar{A} + C \rightarrow A$<br>Overflow $\rightarrow C$   |  | Subtract A from M<br>Overflow to C  |
|                       | COMP          | $\bar{A} \rightarrow A$   |  | One's complement of A to A  |
|                       | OTA           | $0 \rightarrow A$   |  | Clear accumulator   |
|                       | ADX (Y)       | $A + Y \rightarrow A$   |  | Add constant (Y) to A, store sum in A<br>$Y = 1, 2, \dots, 15$  |
|                       | HXA           | $H \leftrightarrow A$   |  | Exchange contents of H register with A  |
|                       | TAM           |   |  | Compare contents of A to M (B), skip if $A = M (B)$   |
|                       | SC            | $1 \rightarrow C$   |  | Set C register  |
|                       | RSC           | $0 \rightarrow C$   |  | Reset C register  |
| TC                    |               | Skip if $C = 0$   |  |   |
| Input/Output          | BTD           | $B_d \rightarrow DO_4 - DO_1$   |  | Transfer contents of $B_d$ to digit output latches  |
|                       | DSPA          | $A \rightarrow S_a - S_d$<br>$0 \rightarrow S_e - S_g$<br>$C \rightarrow S_p$   |  | $A_4 - A_1$ to output latches, directly to outputs $S_a - S_d$<br>0 to outputs $S_e - S_g$<br>C to $S_p$ latch  |
|                       | DSPS          | $A \rightarrow S_a - S_g$<br>$C \rightarrow S_p$  |  | A to output latches, 7-segment decoded to $S_a - S_g$<br>C to $S_p$ latch   |
|                       | AXO           | $SI \rightarrow A$<br>$A \rightarrow SO$  |  | Exchange accumulator with serial input/output   |
|                       | LDF           | $I \rightarrow F (N)$   |  | N = 1, 2, 3, 4. Load F (N) from next instruction word<br>2 microcycle instruction   |
| Input Test            | TIN           |   | INB = 1  | Test INB. Active state of input is programmable   |
|                       | TK (N)        | if $F_4 = 0$<br>if $F_4 = 1$  | K (N) = 1<br>F (N) = 1   | N = 1, 2, 3, 4. Active state of input is programmable<br>N = 1, 2, 3  |
|                       | TKB           |   | K (N) = 1  | N = 1, 2, 3, 4. Skip if any K input active  |
|                       | TIR           |   | $\Delta IRB$   | Test IRB. Skip if IRB has changed since last test of IRB  |

## operation codes

TABLE II.

| OP CODE                       |                               |                               |                               | MNEMONIC         |             |             |             |
|-------------------------------|-------------------------------|-------------------------------|-------------------------------|------------------|-------------|-------------|-------------|
| I <sub>8</sub> I <sub>7</sub> | I <sub>6</sub> I <sub>5</sub> | I <sub>4</sub> I <sub>3</sub> | I <sub>2</sub> I <sub>1</sub> | 00               | 01          | 10          | 11          |
| 00                            | XX                            | 00                            | 00                            | NOP              | DSPA        | COMP        | OTA         |
| 00                            | XX                            | 00                            | 01                            | HXB <sub>r</sub> | DSPS        | AXO         | HXA         |
| 00                            | XX                            | 00                            | 10                            | ADD              | AD          | SUB         | TAM         |
| 00                            | XX                            | 00                            | 11                            | SC               | LBL         | RSC         | LDF         |
| 00                            | XX                            | 01                            | 00                            | TK1              | TK2         | TK3         | TK4         |
| 00                            | XX                            | 01                            | 01                            | TIR              | TKB         | BTD         | TIN         |
| 00                            | XX                            | 01                            | 10                            | MTA (r)          |             |             |             |
| 00                            | XX                            | 01                            | 11                            | EXC (r)          |             |             |             |
| 00                            | XX                            | 10                            | 00                            | EXC- (r)         |             |             |             |
| 00                            | XX                            | 10                            | 01                            | EXC+ (r)         |             |             |             |
| 00                            | XX                            | 10                            | 10                            | LB (r, 0)        |             |             |             |
| 00                            | XX                            | 10                            | 11                            | LB (r, 11)       |             |             |             |
| 00                            | XX                            | 11                            | 00                            | LB (r, 12)       |             |             |             |
| 00                            | XX                            | 11                            | 01                            | LB (r, 13)       |             |             |             |
| 00                            | XX                            | 11                            | 10                            | LB (r, 14)       |             |             |             |
| 00                            | XX                            | 11                            | 11                            | LB (r, 15)       |             |             |             |
| 01                            | 00                            | 00                            | XX                            | RET              | RETS        | RSM (8)     | BTA         |
| 01                            | 00                            | 01                            | XX                            | TM (1)           | TM (2)      | TM (4)      | TM (8)      |
| 01                            | 00                            | 10                            | XX                            | RSM (1)          | SM (1)      | SM (8)      | RSM (4)     |
| 01                            | 00                            | 11                            | XX                            | RSM (2)          | TC          | SM (2)      | SM (4)      |
| 01                            | 01                            | 00                            | XX                            | ATB              | ADX (1)     | ADX (2)     | ADX (3)     |
| 01                            | 01                            | 01                            | XX                            | ADX (4)          | ADX (5)     | ADX (6)     | ADX (7)     |
| 01                            | 01                            | 10                            | XX                            | ADX (8)          | ADX (9)     | ADX (10)    | ADX (11)    |
| 01                            | 01                            | 11                            | XX                            | ADX (12)         | ADX (13)    | ADX (14)    | ADX (15)    |
| 01                            | 10                            | 00                            | XX                            | CALX             | LG (35, 34) | LG (33, 32) | LG (31, 30) |
| 01                            | 10                            | 01                            | XX                            | LG (27, 26)      | LG (25, 24) | LG (23, 22) | LG (21, 20) |
| 01                            | 10                            | 10                            | XX                            | LG (17, 16)      | LG (15, 14) | LG (13, 12) | LG (11, 10) |
| 01                            | 10                            | 11                            | XX                            | LG (7, 6)        | LG (5, 4)   | LG (3, 2)   | LG (1, 0)   |
| 01                            | 11                            | 00                            | XX                            | LM (0)           | LM (1)      | LM (2)      | LM (3)      |
| 01                            | 11                            | 01                            | XX                            | LM (4)           | LM (5)      | LM (6)      | LM (7)      |
| 01                            | 11                            | 10                            | XX                            | LM (8)           | LM (9)      | LM (10)     | LM (11)     |
| 01                            | 11                            | 11                            | XX                            | LM (12)          | LM (13)     | LM (14)     | LM (15)     |
| 10                            | XX                            | XX                            | XX                            | CALL             |             |             |             |
| 11                            | XX                            | XX                            | XX                            | GO               |             |             |             |



## MM5785 RAM interface chip

### general description

The MM5785 provides the required level conversion between the MM5782 or MM5799 Controller Oriented Processors and external RAM memory. It is intended for use with the MM74C930 and MM2102 1k RAMs as a means of expanding system data storage capability.

The MM5785 RAM Interface Element allows direct connection of four 1024 x 1 organized read/write memories to the processor. *Figure 1* is a block diagram of the element. Additional interface elements may be added using decoded digit lines from the decoder/driver as chip selects.

The chip contains a 9-stage address and control bit holding register, a 6-bit incrementing register, control logic and data buffers. A power-on sequence resets all registers when power is applied. (*Figure 5.*)

In operation, the chip select is energized and a synchronizing bit followed by the R/W mode select bit, four chip select bits (CSA—CSD), and the register select address bits (A9—A6) are shifted into the holding register (R) through the DIN input port. The 6-bit address register then sequentially addresses each of the 64 bits

within the selected register. In the Write mode, data to be stored is transferred from the processor on the DIN line and outputted to the memory on the DOR line. When reading, data flow is from the memory chip to the DIR pin. The data is buffered and shifted out to the processor on the DO line. All registers are cleared when the address sequence is complete.

Four to sixteen line decoding of the CSA—CSD lines allows addressing of as many as sixteen 1024-bit RAMs using a single MM5785. When interfacing memory circuits such as the MM74C930 or MM2102 to the MM5785, one transistor is required for the CSR (BAM control) line as shown in *Figure 2*.

### features

- Directly interfaces the MM5782 and MM5799 Controller Oriented Processors to external RAM
- Compatible with low power CMOS MM74C130 or low cost MM2102 RAM
- Internal power-on clear

### block and connection diagrams

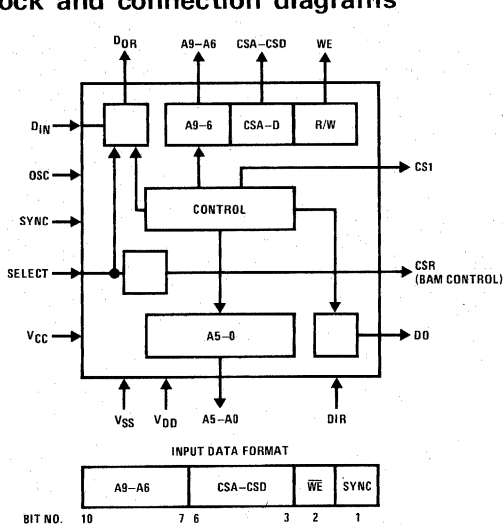
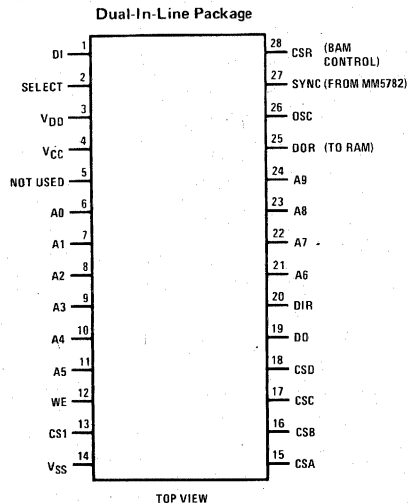


FIGURE 1. MM5785 RAM Interface Element



Order Number MM5785N  
See Package 23



## absolute maximum ratings

Voltage at Any Pin Relative to  $V_{SS}$   $V_{SS} + 0.3V$  to  $V_{SS} - 12V$   
 (All Other Pins Connected to  $V_{SS}$ )  
 Ambient Operating Temperature  $0^{\circ}C$  to  $+70^{\circ}C$   
 Ambient Storage Temperature  $-55^{\circ}C$  to  $+150^{\circ}C$   
 Lead Temperature (Soldering, 10 seconds)  $300^{\circ}C$

## operating voltage range

$7.9V \leq V_{SS} - V_{DD} \leq 9.5V$ ,  $4.5V \leq V_{CC} - V_{DD} \leq 5.5V$   
 ( $V_{SS}$  is always the most positive supply voltage)

dc electrical characteristics ( $T_A = 25^{\circ}C$ )

| PARAMETER   | CONDITIONS  | MIN            | TYP  | MAX             | UNITS   |
|---|---|----------------|------|-----------------|---------|
| $I_{DD}$ Operating Supply Current                 | $V_{DD} = V_{SS} - 9.5V$  |                | 8    | 15              | mA      |
| $I_{CC}$ Operating Supply Current                 | Capacitive Loading Only   |                |      | 100             | $\mu A$ |
| $I_{CC}$ Peak Current                             | $C_L = \text{Max}$ , $R_L = \text{Open Circuit}$ ,<br>Duration = 400 ns |                |      | 33              | mA      |
| OSC Input Levels                                  |   |                |      |                 |         |
| $V_{IH}$ Logical High Level                       | $V_{DD} = V_{SS} - 7.9V$  | $V_{SS} - 1.0$ |      |                 | V       |
| $V_{IL}$ Logical Low Level                        | $V_{DD} = V_{SS} - 9.5V$  |                |      | $V_{DD} + 1.5$  | V       |
| D <sub>IN</sub> , SYNC Input Levels               |   |                |      |                 |         |
| $V_{IH}$ Logical High Level                       | $V_{DD} = V_{SS} - 7.9V$  | $V_{SS} - 1.2$ |      |                 | V       |
| $V_{IL}$ Logical Low Level                        | $V_{DD} = V_{SS} - 9.5V$  |                |      | $V_{SS} - 4.0$  | V       |
| DIR Input Levels                                  |   |                |      |                 |         |
| $V_{IH}$ Logical High Level                       |   | $V_{DD} + 2.0$ |      |                 | V       |
| $V_{IL}$ Logical Low Level                        |   |                |      | $V_{DD} + 0.4$  | V       |
| Select Input Levels                               |   |                |      |                 |         |
| $V_{IH}$ Logical High Level                       | $V_{DD} = V_{SS} - 7.9V$  | $V_{SS} - 3.2$ |      |                 | V       |
| $V_{IL}$ Logical Low Level                        | $V_{DD} = V_{SS} - 9.5V$  | $V_{SS} - 4.5$ |      | $V_{DD} + 1.5$  | V       |
|   |   |                |      | $V_{DD} + 1.5$  | V       |
| $I_{IH}$ Input Current Level                      | $V_{IH} = V_{SS} - 3.2V$<br>$V_{DD} = V_{SS} - 7.9V$                    |                | -350 |                 | $\mu A$ |
| CSR Output Levels                                 |   |                |      |                 |         |
| $V_{OH}$ Logical High Level                       | $I_{OH} \leq -100 \mu A$  | $V_{DD} + 0.8$ |      |                 | V       |
| $V_{OL}$ Logical Low Level                        | $I_{OL} \leq 10 \mu A$  |                |      | $V_{DD} + 0.25$ | V       |
| DOR, WE, CS 1, A0-A9<br>and CSA-CSD Output Levels |   |                |      |                 |         |
| $V_{OH}$ Logical High Level                       | $I_{OH} \leq -250 \mu A$  | $V_{CC} - 1.0$ |      |                 | V       |
| $V_{OL}$ Logical Low Level                        | $I_{OL} \geq 10 \mu A$  |                |      | $V_{DD} + 0.5$  | V       |
| DO Output Levels                                  |   |                |      |                 |         |
| $V_{OH}$ Logical High Level                       | $V_{DD} = V_{SS} - 7.9V$<br>$I_{OH} \leq -100 \mu A$                    | $V_{SS} - 0.5$ |      |                 | V       |
| $V_{OL}$ Logical Low Level                        | $V_{DD} = V_{SS} - 7.9V$<br>$I_{OL} \geq 25 \mu A$                      |                |      | $V_{DD} + 3.7$  | V       |

## ac electrical characteristics

| PARAMETER  |   | CONDITIONS                                     | MIN  | TYP | MAX  | UNITS   |
|------------|---|--|------|-----|------|---------|
|            | OSC Input Frequency ( $1/t_p$ )   |  | 320  |     | 400  | kHz     |
|            | OSC Duty Cycle  | (Figure 3)                                     | 46   | 56  | 66   | %       |
|            | OSC Input Transition Times  |  |      |     |      |         |
| $t_r$      | Rise Time   | $RC = 0.15 \mu s$                              |      |     | 350  | ns      |
| $t_f$      | Fall Time   | $C_L = 25 \text{ pF}, R_L = 6 \text{ k}\Omega$ |      |     | 50   | ns      |
|            | SYNC Input Timing   | (Figure 3)                                     |      |     |      |         |
| $t_B$      | Interval/Bit Time   |  | 10.0 |     | 12.5 | $\mu s$ |
| $t_{osch}$ | Hold Time   |  | 100  |     |      | ns      |
| $t_{stL}$  | High-to-Low Set-Up Time   |  | 680  |     |      | ns      |
| $t_{stH}$  | Low-to-High Set-Up Time   |  | 100  |     |      | ns      |
|            | DIN Input Timing  |  |      |     |      |         |
| $t_{stn}$  | Set-Up Time   |  | 2.5  |     |      | $\mu s$ |
| $t_{hn}$   | Hold Time   |  | 1.0  |     |      | $\mu s$ |
|            | DIR Input Timing  | $C_L \leq 50 \text{ pF}$                       |      |     |      |         |
| $t_{str}$  | Set-Up Time   |  | 2.5  |     |      | $\mu s$ |
| $t_{hr}$   | Hold Time   |  | 1.0  |     |      | $\mu s$ |
|            | SELECT Input Timing   | $C_{LOAD} \leq 100 \text{ pF}$ ,<br>(Figure 4) |      |     |      |         |
|            | The SELECT Input is normally<br>75 bits wide and envelopes<br>the DIN input. The DOR out-<br>put is the logical-OR of<br>$\overline{\text{SELECT}}$ and DIN |  |      |     |      |         |
|            | DOR, A0–A9 Output Propaga-<br>tion Delays   | $C_{LOAD} = 250 \text{ pF}$                    |      |     |      |         |
| $t_{pdL}$  |   |  |      |     | 5.0  | $\mu s$ |
| $t_{pdH}$  |   |  |      |     |      |         |
|            | CSA–CSD Output Propaga-<br>tion Delays  | $C_{LOAD} = 100 \text{ pF}$                    |      |     |      |         |
| $t_{pdL}$  |   |  |      |     | 5.0  | $\mu s$ |
| $t_{pdH}$  |   |  |      |     | 10.0 | $\mu s$ |
|            | WE and CS 1 Output Propaga-<br>tion Delays  | $C_{LOAD} = 250 \text{ pF}$                    |      |     |      |         |
| $t_{pdL}$  |   |  |      |     | 2.5  | $\mu s$ |
| $t_{pdH}$  |   |  |      |     |      |         |
|            | DO Output Propagation Delays  | $C_{LOAD} = 100 \text{ pF}$                    |      |     |      |         |
| $t_{pdL}$  |   |  |      |     | 2.5  | $\mu s$ |
| $t_{pdH}$  |   |  |      |     |      |         |
|            | $V_{SS}$ Power "ON" Time  | (Figure 5)                                     |      |     |      |         |
| $t_{po}$   |   |  |      |     | 1.0  | ms      |

## functional description

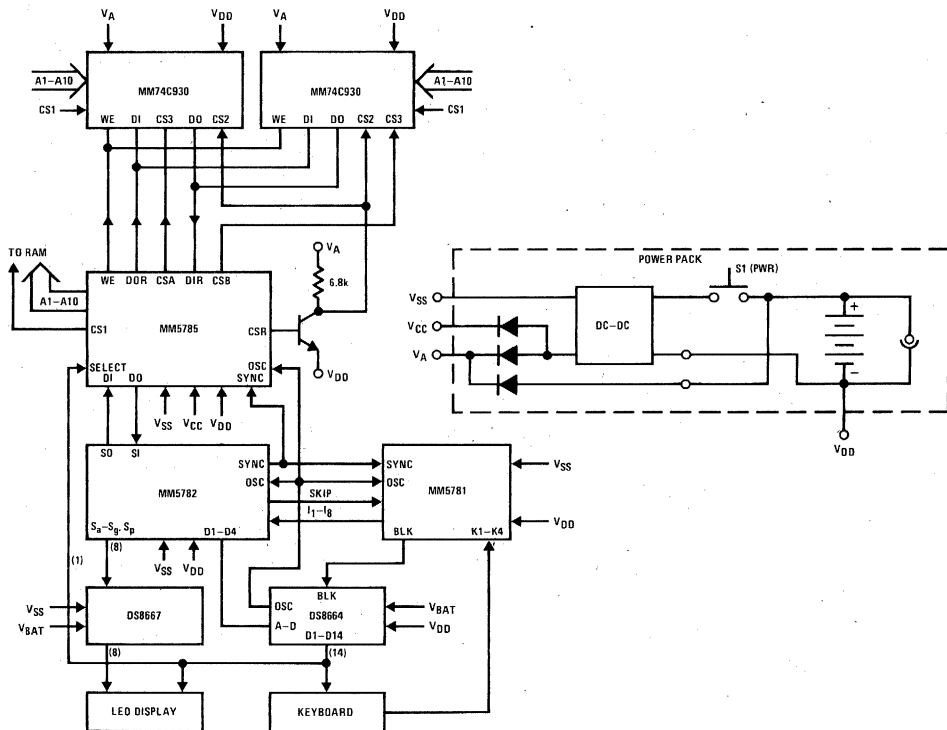


FIGURE 2. Hand-Held Calculator with Battery Augmented Memory (BAM)

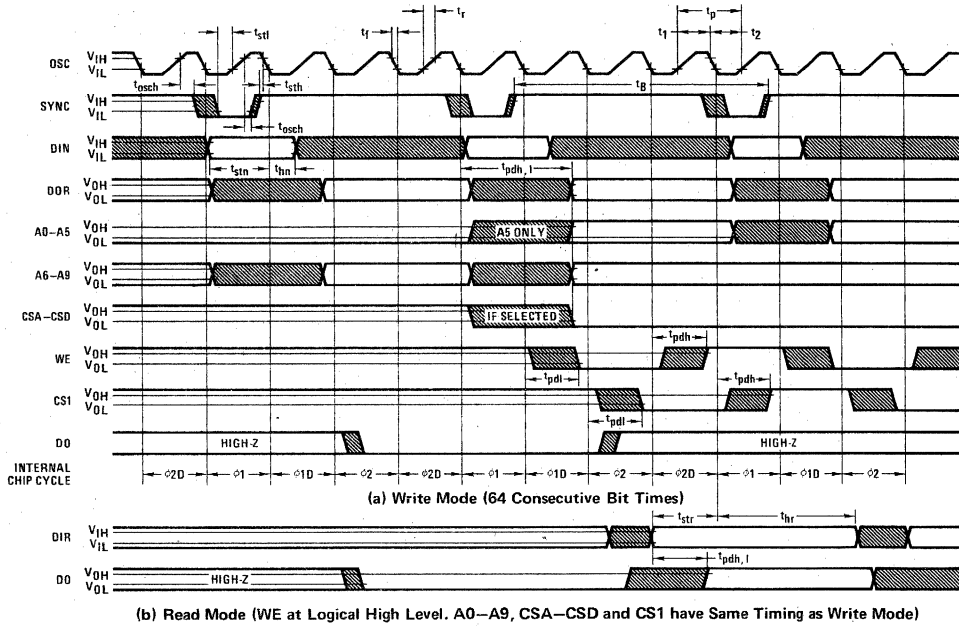
A power-on sequence is necessary to clear all registers and condition the MM5785 for data entry. Timing is described in *Figure 5*. Select must be toggled once before starting.

An interface circuit is required in a non-volatile battery back-up system using the MM74C930. An example is shown in *Figure 6*. Before the MM5785 is selected,  $P_{ON}$  is at a logical high level, Q1 is "OFF," and the

RAMs are disabled. If system power is removed,  $V_{SS}$  collapses to Gnd, Q1 remains "OFF" so that false data cannot be entered during power up.

During normal operation,  $P_{ON}$  is in a logical low state and when the MM5785 is selected, Q1 turns "ON" to enable the RAMs.  $R_L$  is chosen from the CSR  $I_{OH}$  spec to insure saturation of Q1. CSR timing is shown in *Figure 5*.

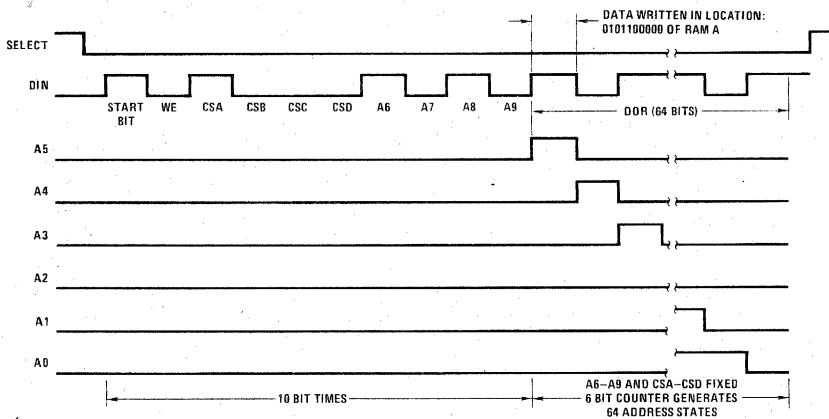
functional description (Continued)



Note 1. Osc input duty cycle =  $\frac{t_1}{t_1 + t_2} = \frac{t_1}{t_p}$

Note 2. SYNC provides a 1 of 4 timing relationship with osc input, to establish osc edges as references for I/O timing.

FIGURE 3. Input/Output Waveform Timing



Start bit is always positive logic "1," logical high level  
 The above pattern indicates a write condition with CSA selected.

FIGURE 4. Typical Bit Pattern

functional description (Continued)

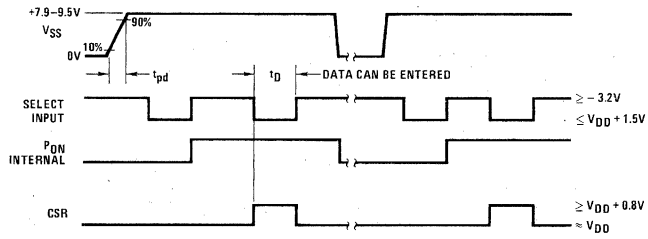


FIGURE 5. Power-Up Timing

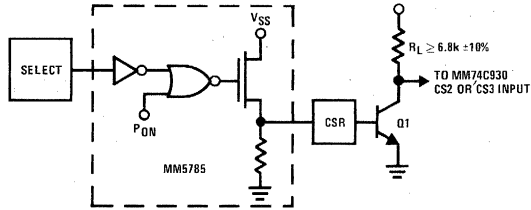


FIGURE 6



### MM5788 printer interface chip

#### general description

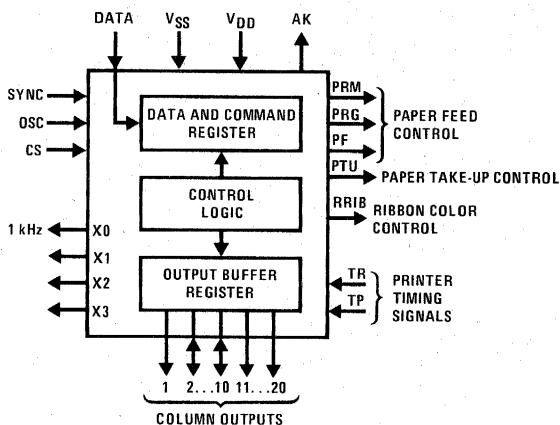
The MM5788 is an MOS/LSI device designed to interface the National Controller Oriented Processor sets with various rotating drum and start-stop printers, as shown in *Figure 1*. It will drive up to 20 parallel print columns, with controls for ribbon color, paper feed, and paper take-up. An additional 4-bit output port provides a 1 kHz tone signal and there are three general purpose outputs under control of the processor.

The MM5788 can also be used as a general purpose I/O chip. In this mode, ten column drivers are outputs and nine function as input/output ports, all under program control.

#### features

- Capable of driving Seiko Models 102, 104, 210, 220, 101T, 310 and 320 (20 columns)
- Paper feed inhibit for overprinting
- Multiple paper feeds (up to 15)
- Tone output for audio bleep under program control
- Internal power "ON" clear
- Single power supply operation
- TRI-STATE® handshake acknowledge to allow multiple MM5788's and other peripherals to be intermixed for system expansion
- General purpose I/O mode
- On-chip comparators to detect printer timing signals

#### block diagram



## absolute maximum ratings

Voltage at Any Pin Relative to  $V_{SS}$   $V_{SS} + 0.3V$  to  $V_{SS} - 12.0V$   
 (All other pins connected to  $V_{SS}$ )  
 Ambient Operating Temperature  $0^{\circ}C$  to  $+70^{\circ}C$   
 Ambient Storage Temperature  $-55^{\circ}C$  to  $+150^{\circ}C$   
 Lead Temperature  $300^{\circ}C$

## operating voltage range

$6.5 \leq V_{SS} - V_{DD} \leq 9.5V$   
 ( $V_{SS}$  is always the most positive supply voltage)

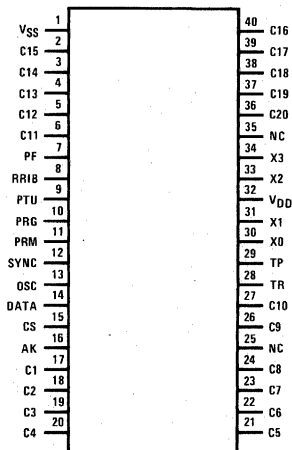
## dc electrical characteristics (Ambient Operating Temperature)

| PARAMETER                                   | CONDITIONS   | MIN  | TYP | MAX            | UNITS   |
|---|--|--|-----|----------------|---------|
| $I_{DD}$ Operating Supply Current           | $T_A = 25^{\circ}C$<br>$V_{DD} = V_{SS} - 9.5V$  |  | 10  |                | mA      |
| OSC Input Levels                            |  |  |     |                |         |
| $V_{IH}$ Logical High Level                 | $V_{DD} = V_{SS} - 6.5V$<br>$V_{DD} = V_{SS} - 7.9V$   | $V_{SS} - 0.8$<br>$V_{SS} - 1.0$                   |     |                | V       |
| $V_{IL}$ Logical Low Level                  | $V_{DD} = V_{SS} - 9.5V$   |  |     | $V_{DD} + 1.5$ | V       |
| SYNC, DATA, and C2 through C10 Input Levels |  |  |     |                |         |
| $V_{IH}$ Logical High Level                 | $V_{DD} = V_{SS} - 6.5V$<br>$V_{DD} = V_{SS} - 7.9V$   | $V_{SS} - 1.0$<br>$V_{SS} - 1.2$                   |     |                | V       |
| $V_{IL}$ Logical Low Level                  | $V_{DD} = V_{SS} - 9.5V$   |  |     | $V_{SS} - 4.0$ | V       |
| CS (Chip Select) Input Levels               |  |  |     |                |         |
| $V_{IH}$ Logical High Level                 | $V_{DD} = V_{SS} - 6.5V$<br>$V_{DD} = V_{SS} - 7.9V$<br>$V_{DD} = V_{SS} - 9.5V$                             | $V_{SS} - 2.0$<br>$V_{SS} - 3.2$<br>$V_{SS} - 4.2$ |     |                | V       |
| $V_{IL}$ Logical Low Level                  | $V_{SS} - 9.5V \leq V_{DD} \leq V_{SS} - 6.5V$   |  |     | $V_{DD} + 1.0$ | V       |
| $I_{IH}$ Input Current                      | $V_{DD} = V_{SS} - 7.9V$<br>$V_{IH} = V_{SS} - 3.2V$   | -350   |     |                | $\mu A$ |
| PF, RRIB, PRG, PTU and PRM Output Levels    |  |  |     |                |         |
| $I_{OH}$ Logical High Level                 | $V_{OH} = V_{SS} - 0.9V$<br>$V_{DD} = V_{SS} - 7.9V$<br>$V_{OH} = V_{SS} - 0.9V$<br>$V_{DD} = V_{SS} - 9.5V$ | -0.7   |     | -3.0           | mA      |
| C1 through C20 Output Levels                |  |  |     |                |         |
| $I_{OH}$ Logical High Level                 | $V_{OH} = V_{SS} - 0.9V$<br>$V_{DD} = V_{SS} - 7.9V$<br>$V_{OH} = V_{SS} - 0.9V$<br>$V_{DD} = V_{SS} - 9.5V$ | -0.7   |     | -3.0           | mA      |
| $T_p$ , $T_r$ Input Levels                  |  |  |     |                |         |
| $V_{IH}$ Logical High Level                 |  | $V_{DD} + 0.3$                                     |     |                | V       |
| $V_{IL}$ Logical Low Level                  |  |  |     | $V_{DD} + 0.1$ | V       |
| AK Output Levels                            |  |  |     |                |         |
| $V_{OH}$ Logical High Level                 | $V_{DD} = V_{SS} - 6.5V$<br>$I_{OH} < 100\mu A$  | $V_{SS} - 0.9$                                     |     |                | V       |
| $V_{OL}$ Logical Low Level                  | $V_{SS} - 9.5V \leq V_{DD} \leq V_{SS} - 6.5V$<br>$I_{OL} < 25\mu A$   |  |     | $V_{SS} + 3.7$ | V       |
| X0, X1, X2 and X3 Output Level              |  |  |     |                |         |
| $I_{OH}$ Logical High Level                 | $V_{OH} = V_{SS} - 0.9V$<br>$V_{DD} = V_{SS} - 7.9V$<br>$V_{OH} = V_{SS} - 0.9V$<br>$V_{DD} = V_{SS} - 9.5V$ | -0.7   |     | -3.0           | mA      |
| AK TRI-STATE Outputs                        |  |  |     |                |         |
| $I_{OH}$ Unselected Level                   | $V_O = V_{SS} - 0.5V$ , $CS = V_{IH}$  | -10  |     | +10            | $\mu A$ |
| $I_{OL}$                                    | $V_O = V_{DD} + 0.5V$ , $CS = V_{IH}$<br>$V_{SS} - 9.5V \leq V_{DD} \leq V_{SS} - 6.5V$                      | -10  |     | +10            | $\mu A$ |

## ac electrical characteristics

| PARAMETER  | CONDITIONS   | MIN | TYP | MAX  | UNITS   |
|--|--|-----|-----|------|---------|
| $t_b$ Bit Time                                     | (Figure 5)   | 10  |     | 12.5 | $\mu$ s |
| OSC Duty Cycle                                     | (Figure 4)   | 46  | 56  | 66   | %       |
| $1/t_p$ OSC Input Frequency                        | (Figure 4)   | 320 |     | 400  | kHz     |
| OSC Input Transition Times                         | $V_{DD} = V_{SS} - 9.5V$ , $R_C = 0.15\mu s$ ,<br>(Figure 4)               |     |     |      |         |
| $t_r$ Rise Time                                    |  |     |     | 350  | ns      |
| $t_f$ Fall Time                                    |  |     |     | 50   | ns      |
| SYNC Input Timing                                  | $V_{DD} = V_{SS} - 7.9V$ , (Figure 4)                                      |     |     |      |         |
| $t_{osch}$ Hold Time                               |  | 100 |     |      | ns      |
| $t_{stl}$ High-to-Low Set-Up Time                  |  | 680 |     |      | ns      |
| $t_{sth}$ Low-to-High Set-Up Time                  |  | 100 |     |      | ns      |
| CS Input Transition Times                          | $V_{DD} = V_{SS} - 7.9V$ , (Figure 4)                                      |     |     |      |         |
| $t_r$ Rise Time                                    |  |     |     | 2.0  | $\mu$ s |
| $t_f$ Fall Time                                    |  |     |     | 10.0 | $\mu$ s |
| $t_{pdL}$ High-to-Low Propagation Time             |  |     |     | 0.5  | $\mu$ s |
| $t_{pdH}$ Low-to-High Propagation Time             |  |     |     | 2.5  | $\mu$ s |
| AK Output Transition Times                         | $V_{DD} = V_{SS} - 6.5V$ , $C_L \leq 100$ pF,<br>(Figure 5)                |     |     |      |         |
| $t_r$ Rise Time                                    |  |     |     | 1.4  | $\mu$ s |
| $t_f$ Fall Time                                    |  |     |     | 2.3  | $\mu$ s |
| $t_{pdL}$ High-to-Low Propagation Time             |  |     |     | 3    | $\mu$ s |
| $t_{pdH}$ Low-to-High Propagation Time             |  |     |     | 2.4  | $\mu$ s |
| PF, RRIB, PRG, PTU, PRM, TONE,<br>C1-C20 and X1-X3 | $V_{DD} = V_{SS} - 6.5V$ , $C_L = 100$ pF,<br>$R_{EXT} = 10k$ , (Figure 5) |     |     |      |         |
| $t_r$ Rise Time                                    |  |     |     | 3    | $\mu$ s |
| $t_f$ Fall Time                                    |  |     |     | 4.5  | $\mu$ s |
| $t_{pdL}$ High-to-Low Propagation Time             |  |     |     | 4.5  | $\mu$ s |
| $t_{pdH}$ Low-to-High Propagation Time             |  |     |     | 4    | $\mu$ s |

## connection diagram (Dual-In-Line Package, Top View)



## Pin Descriptions

- Inputs**
- OSC — 400 kHz input from system oscillator
  - SYNC — SYNC signal input from MM5782
  - CS — A logical low level enables the chip
  - Data — Input for control and data to be printed
  - TP, TR — Inputs for synchronizing pulses from the controlled printer
- Outputs**
- AK — Handshake output—functions as "READY" flag. Responds to CS with logical high level if ready to accept data in Printer Control Mode. Operates as serial data output in general purpose I/O mode. TRI-STATE
  - PF — Paper feed control
  - PTU — Paper take up control
  - PRG — Individual paper feed controls for dual tape printers such as the Seiko 101T
  - RRIB — Ribbon color control
  - X0 — 1 kHz Tone Output under program control
  - X1-X3 — General purpose latched outputs under program control
  - C1-C20 — Column drive outputs (BCD digits 1-20 in command data field)

The PF, PTU, PRG, PRM, RRIB and X0-X3 outputs are controlled by command and operand signals from the MPE of the TCS processor set. Figure 3 shows a timing example. Table I lists the various instruction codes.

Order Number MM5788N  
See Package 24



## functional description

The MM5788 timing is derived from an external 400 kHz oscillator (OSC) which also drives the MM5781, MM5782 processor. Bit synchronization is attained by using the processor SYNC output together with OSC to generate the 100 kHz internal clocks. All interface signals between the MM5788 and the processor are designed to move on the rising edge of OSC and be sampled on the falling edge of OSC.

### PROCESSOR HANDSHAKE

The MM5788 receives commands and data serially from the processor. The handshake sequence is as follows: with timing diagram shown in *Figure 2*.

- The processor drives the Chip Select (CS) line to a logic low level state, enabling the TRI-STATE buffer on the MM5788 acknowledge output (AK).
- The AK output responds with a logic high state if ready to accept data or a logic low state if busy.
- If AK is a logic high state, the processor waits for a start window (logic low state) on the AK line. The window is 4-bits wide and is used to synchronize the internal recirculating registers with the incoming data stream. The wait time is from 1 to 36 bit times.
- Upon detection of the start window, the processor sends a serial data stream on the DATA line. This data stream consists of a start bit (logic high state) followed by a 4-bit command, a 4-bit operand, and up to 80 bits (20 digits) of BCD data. The BCD digits 1–20 correspond to column outputs C1–C20, respectively.
- The MM5788, responding to the start bit, shifts in the next 88 bits from the DATA line, drives AK to a low state, decodes and carries out the action specified by the command. The processor need send only the 4-bit command, the Operand and Data fields are optional.

TABLE I. Instruction Codes for MM5788

| INSTRUCTION   |                    | CODE     |         | DESCRIPTION   |
|---------------|--------------------|----------|---------|---|
|               |                    | OPERAND  | COMMAND |   |
| Print         | MOD 310            | 1000     | OXYZ    | X = 0 Print Black<br>X = 1 Print Red<br>YZ = 00 Feed M, G<br>YZ = 01 Feed G<br>YZ = 10 Feed M<br>YZ = 11 No M,G Paperfeed |
|               | Others             | 0000     | OXYZ    |   |
| Paper Feed    |                    | ABCD     | 10YZ    |   |
| Lines Fed     |                    |          |         |   |
|               | 1                  | 0000     |         | YZ = 00 Feed M,G  |
|               | 15                 | 1000     |         | YZ = 01 Feed G  |
|               | 14                 | 1100     |         | YZ = 10 Feed M  |
|               | 13                 | 1010     |         | YZ = 11 No M,G Feed   |
|               | 12                 | 0111     |         |   |
|               | 11                 | 0100     |         |   |
|               | 10                 | 0110     |         |   |
|               | 9                  | 1101     |         |   |
|               | 8                  | 0011     |         |   |
|               | 7                  | 0010     |         |   |
|               | 6                  | 1011     |         |   |
|               | 5                  | 1110     |         |   |
|               | 4                  | 0001     |         |   |
|               | 3                  | 1001     |         |   |
|               | 2                  | 0101     |         |   |
|               | 1                  | 1111     |         |   |
| Read External |                    |          |         | Load C2–C10 serially on to AK   |
|               | XXXX               | dddd     | 1110    |   |
| Reset         |                    |          |         |   |
|               | Model 310, 320     | 10dd     | 1111    |   |
|               | 102, 104, 210, 220 | 01dd     | 1111    |   |
|               | 101T               | 11dd     | 1111    |   |
| Load          |                    | X3X2X1X0 | 1100    | Load Operand X3X2X1X0 into output latch   |
|               |                    | dddd     | 1101    | Load data field into output buffer register   |

functional description (con'd)

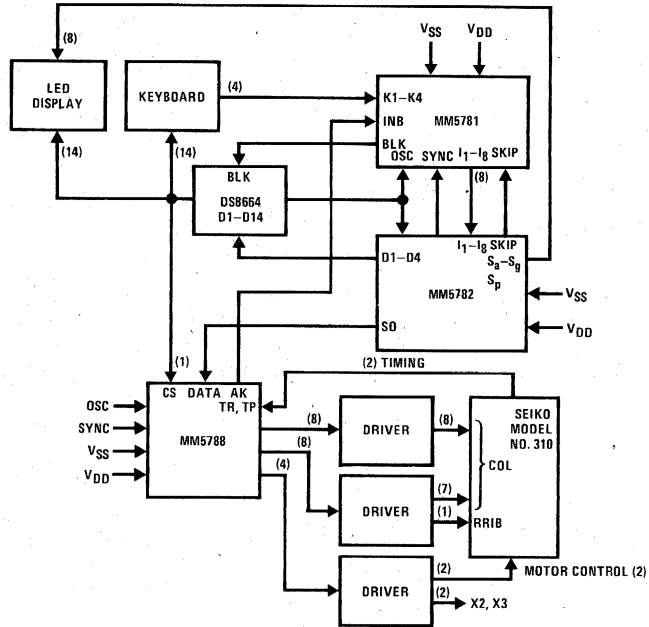


FIGURE 1. Typical Printing Calculator Application

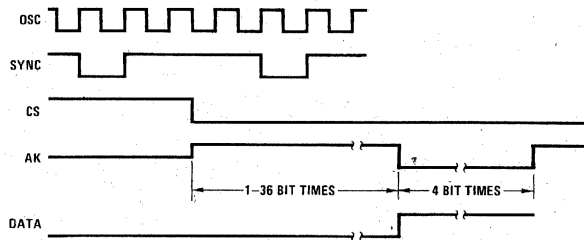


FIGURE 2. Handshake Timing

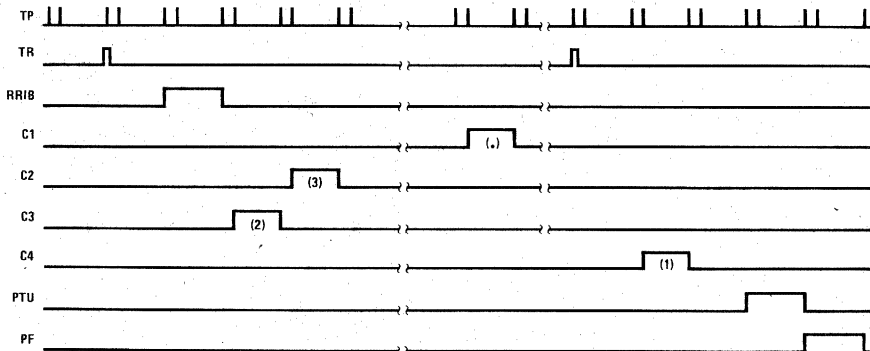


FIGURE 3. Timing Example for Printing 123. in Red on Seiko 102 Printer

functional description (con'd)

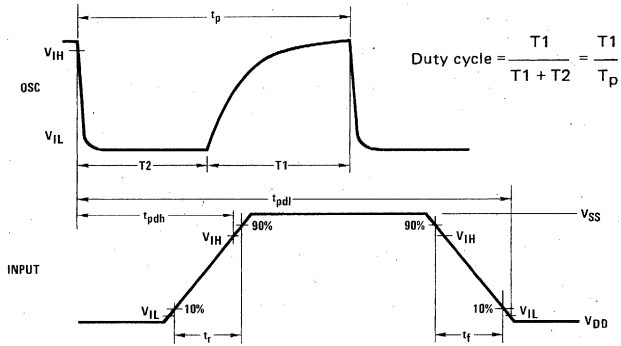


FIGURE 4. Input Waveform Timing

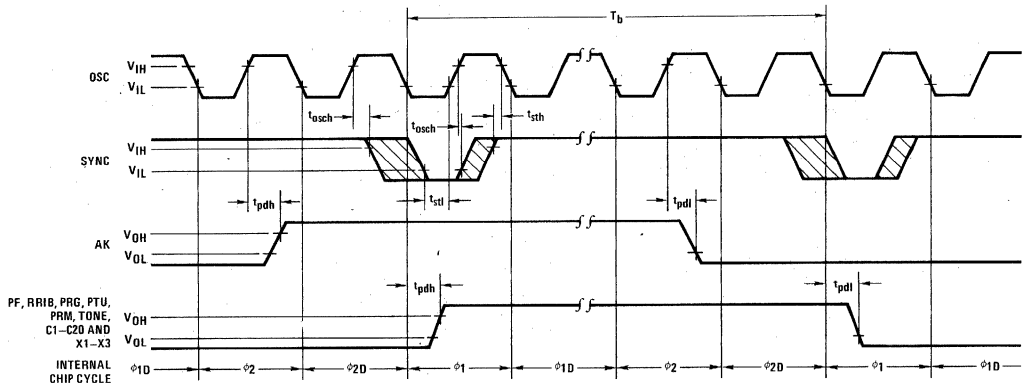


FIGURE 5. Output Waveform Timing



# MM5799 Controller Oriented Processor

## general description

The MM5799 is an MOS/LSI device containing all system timing, logic, RAM and control ROM functions required for implementation of a Controller Oriented Processor. It is capable of scanning up to 56 keyboard switches or data may be entered as BCD data words. Eight outputs present information in either BCD or 7-segment plus decimal point format and 4 additional latched outputs provide encoded digit timing information. Serial I/O ports allow expansion of the basic 384-bit RAM store and interface to peripheral equipment such as printers. The circuit is capable of being programmed to perform a wide range of customer specified computation and control functions.

## features

- 10μs microinstruction cycle time
- 1536 microinstruction ROM (8-bit instruction set)
- 384-bit RAM (96-digit)
- 5 data or control inputs that provide keyboard scanning or BCD inputs
- Internal power on clear with programmable external override
- Serial input and serial output for data storage expansion or interface with a variety of peripheral interface chips
- 3 general purpose input/output lines plus "blanking" output
- 8 fully programmable outputs (7-segment, BCD, etc.)
- Internal or external oscillator
- Single power supply operation
- Direct segment drive of LED's
- Fully compatible with TCS peripheral interface elements and can be programmed to function as a secondary processor element in TCS system

## block diagram

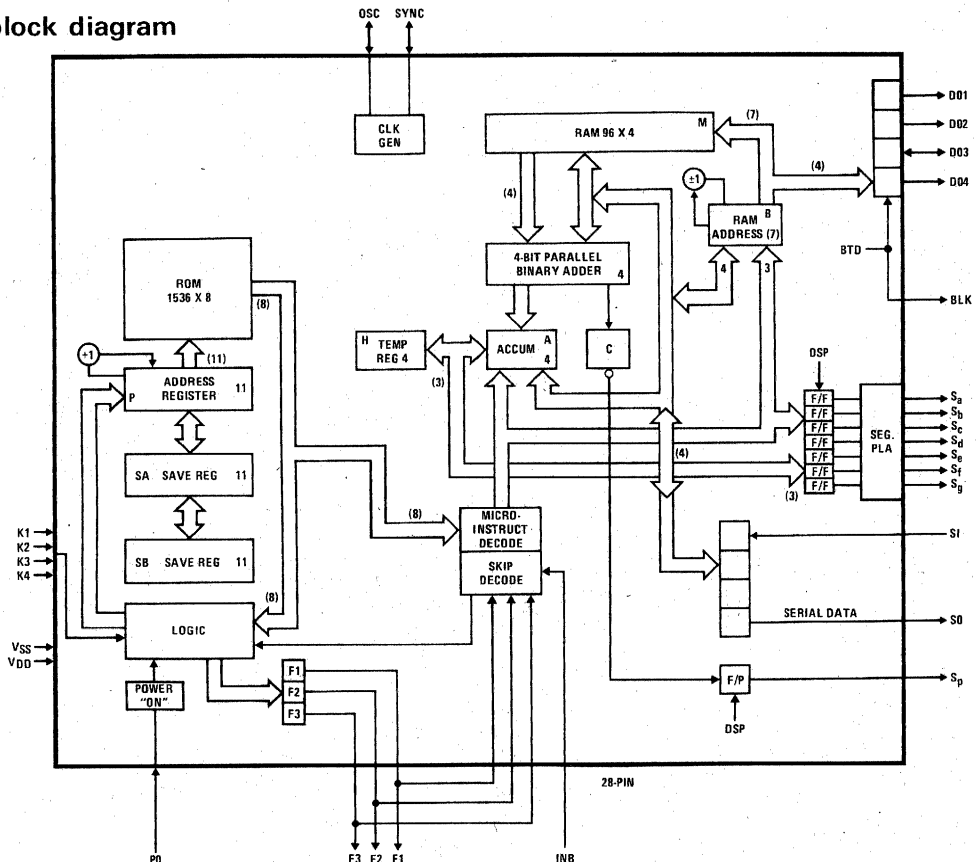


FIGURE 1.

**absolute maximum ratings**

|   |                       |
|---|-----------------------|
| Voltage at Any Pin Relative to VSS<br>(All Other Pins Connected to VSS) | VSS +0.3V to VSS -12V |
| Ambient Operating Temperature   | 0°C to +70°C          |
| Ambient Storage Temperature   | -55°C to +125°C       |
| Lead Temperature (Soldering, 10 seconds)                                | 300°C                 |

**dc electrical characteristics** 0°C ≤ TA ≤ +70°C, 7.9V ≤ VSS - VDD ≤ 9.5V unless otherwise stated

| PARAMETER   | CONDITIONS   | MIN                | TYP       | MAX                | UNITS    |
|---|--|--------------------|-----------|--------------------|----------|
| Operating Voltage (VSS - VDD)                       |  | 7.9                |           | 9.5                | V        |
| Operating Supply Current (IDD)                      | VSS - VDD = 9.5V, TA = 25°C<br>(Excluding Outputs)   |                    | 12        | 18                 | mA       |
| Osc Input Voltage Levels                            |  |                    |           |                    |          |
| Logic High Level (VIH)                              | VSS - VDD = 7.9V   | VSS-1.0            |           |                    | V        |
| Logic Low Level (VIL)                               | VSS - VDD = 9.5V   |                    |           | VDD+1.5            | V        |
| Osc Input Resistance To VSS                         | Two Options  |                    | 3<br>6    |                    | kΩ<br>kΩ |
| INB, K1-K4, F1-F3                                   | (For Keyboard)   |                    |           |                    |          |
| Input Voltage Levels                                |  |                    |           |                    |          |
| Logic High Level (VIH)                              | VSS - VDD = 7.9V<br>VSS - VDD = 9.5V   | VSS-3.2<br>VSS-4.5 |           | VSS<br>VSS         | V<br>V   |
| Logic Low Level (VIL)                               |  |                    |           | VDD+1.5            | V        |
| INB, K1-K4 Input Voltage Levels                     | (As Logic Input)   |                    |           |                    |          |
| Input High Level (VIH)                              |  | VSS-1.0            |           |                    | V        |
| Input Low Level (VIL)                               |  |                    |           | VSS-4              | V        |
| INB, K1-K4 Input Current Levels                     | (Through Keyboard)   |                    |           |                    |          |
| Input High Level (IIH)                              | VIH = VSS - 3.2V   |                    |           | -350               | μA       |
| Input Low Level (IIL)                               | VIL = VSS - 32V, Fluorescent Display<br>(See Option 10)  | -20                |           |                    | μA       |
| D03 Input Voltage Levels                            |  |                    |           |                    |          |
| Logic High Level (VIH)                              | 7.9V ≤ VSS - VDD ≤ 9.5V  | VSS-3.5            |           |                    | V        |
| Logic Low Level (VIL)                               | VSS - VDD = 7.9V<br>VSS - VDD = 9.5V   |                    |           | VDD+2.5<br>VDD+3.0 | V<br>V   |
| SI and Sync Input Voltage Levels                    |  |                    |           |                    |          |
| Logic High Level (VIH)                              | VSS - VDD = 7.9V   | VSS-1.2            |           |                    | V        |
| Logic Low Level (VIL)                               | VSS - VDD = 7.9V   |                    |           | VSS-4.0            | V        |
| D01, D02, D04 Output Voltage Levels (Encoded Digit) |  |                    |           |                    |          |
| Logic High Level (VOH)                              | RL = 150 kΩ  | VSS-1.0            |           | VSS                | V        |
| Logic Low Level (VOL)                               | IOL = 3μA (If Load Present)  | VDD                |           | VDD+0.5            | V        |
| Logic High Level Current (IOH)                      | VSS - VDD = 7.9V<br>VOH = VDD + 1.5V   |                    |           | -260               | μA       |
| D03 Output Voltage Levels                           |  |                    |           |                    |          |
| Logic High Level (VOH)                              | RL = 150 kΩ  | VSS-1.0            |           | VSS                | V        |
| Logic Low Level (VOL)                               | IOL = 3μA (Load Present)   | VDD                |           | VDD+0.5            | V        |
| Logic High Level Current (IOH)                      | Battery Low "OFF," from DS8664<br>VOH = VDD + 3V<br>VSS - VDD = 9.5V<br>VOH = VDD + 2.5V<br>VSS - VDD = 7.9V | -1.3               |           | -0.3               | mA       |
|   | Battery Low "ON," from DS8664<br>VOH = VSS - 3V<br>VSS - VDD = 7.9V<br>VOH = VSS - 3V<br>VSS - VDD = 9.5V    | -1.0               |           | -0.4               | mA       |
| Logic High Level Current (IOH)                      | (see option 7)<br>VOH = VDD + 3V<br>5 mA Min<br>3 mA Min   | -20<br>-12         | -10<br>-6 | -5<br>-3           | mA<br>mA |
| Logic Low Level Current (IOL)                       | VOL = VDD + 0.5V, (See Option 8)<br>Open Drain<br>Load Device to VDD   | -1<br>3            |           | 1<br>15            | μA<br>μA |

## dc electrical characteristics (con't)

| PARAMETER  | CONDITIONS   | MIN                  | TYP | MAX                  | UNITS |
|--|--|----------------------|-----|----------------------|-------|
| S0 and Sync Output Voltage Levels                                  | (With Load and Driver to V <sub>DD</sub> )<br>V <sub>SS</sub> - V <sub>DD</sub> = 7.9V |                      |     |                      |       |
| Logic High Level (V <sub>OH</sub> )                                | I <sub>OH</sub> = -100μA   | V <sub>SS</sub> -0.5 |     | V <sub>SS</sub>      | V     |
| Logic Low Level (V <sub>OL</sub> )                                 | I <sub>OL</sub> = 15μA   | V <sub>DD</sub>      |     | V <sub>DD</sub> +3.7 | V     |
| F1, F2, F3 Output Voltage Levels                                   |  |                      |     |                      |       |
| Logic High Level (V <sub>OH</sub> )                                | I <sub>OH</sub> = -30μA  | V <sub>SS</sub> -1.5 |     |                      | V     |
| Logic Low Level (V <sub>OL</sub> )                                 | I <sub>OL</sub> = 3μA  |                      |     | V <sub>DD</sub> +1.0 | V     |
| Blk Output Voltage Levels  |  |                      |     |                      |       |
| Logic High Level (V <sub>OH</sub> )                                | I <sub>OH</sub> = -0.5 mA  | V <sub>SS</sub> -1.5 |     |                      | V     |
| Logic Low Level (V <sub>OL</sub> )                                 | I <sub>OL</sub> = 5μA  |                      |     | V <sub>DD</sub> +1.0 | V     |
| Osc Output Current Levels  | (Output with Load to V <sub>DD</sub> )   |                      |     |                      |       |
| Logic High Level Current (I <sub>OH</sub> )                        | V <sub>OH</sub> = V <sub>DD</sub> + 1.5V   |                      |     | -1.0                 | mA    |
| Logic Low Level Current (I <sub>OL</sub> )                         | V <sub>OL</sub> = V <sub>DD</sub> + 0.5V   | 3.0                  |     |                      | μA    |
| Keyboard Key Resistance (R <sub>KEY</sub> )<br>(INB, K1-K4, F1-F3) | LED Display Interface  |                      |     | 200                  | Ω     |
|  | Fluorescent Display Interface  |                      |     | 50                   | kΩ    |

## INTERFACING WITH MOS

|  |                            |                    |  |                    |   |
|--|----------------------------|--------------------|--|--------------------|---|
| All Outputs                            |                            |                    |  |                    |   |
| Output High Voltage (V <sub>OH</sub> ) |                            | V <sub>SS</sub> -1 |  | V <sub>SS</sub>    | V |
| Output Low Voltage (V <sub>OL</sub> )  | (On-Chip Loads at Outputs) | V <sub>DD</sub>    |  | V <sub>DD</sub> +1 | V |
| INB, K1-K4 Input Voltages              | (No Input Loads)           |                    |  |                    |   |
| Input High Voltage (V <sub>IH</sub> )  |                            | V <sub>SS</sub> -1 |  | V <sub>SS</sub>    | V |
| Input Low Voltage (V <sub>IL</sub> )   |                            | V <sub>DD</sub>    |  | V <sub>SS</sub> -4 | V |

ac electrical characteristics (0°C ≤ T<sub>A</sub> ≤ +70°C, 7.9V ≤ V<sub>SS</sub> - V<sub>DD</sub> ≤ 9.5V unless otherwise stated)

| PARAMETER   | CONDITIONS  | MIN  | TYP | MAX  | UNITS |
|---|---|------|-----|------|-------|
| Osc Input Frequency   |   | 320  |     | 400  | kHz   |
| Osc Duty Cycle (Figure 2)   |   | 46   | 56  | 66   | %     |
| Osc Input   |   |      |     |      |       |
| Rise Time (t <sub>r</sub> )   | C <sub>L</sub> = 25 pF, R <sub>L</sub> = 6 kΩ                     |      |     | 350  | ns    |
| Fall Time (t <sub>f</sub> )   | RC = 0.15μs   |      |     | 50   | ns    |
| Sync Input Timing   |   |      |     |      |       |
| Interval (t <sub>B</sub> , Bit Time)  |   | 10   |     | 12.5 | μs    |
| Low Hold Time (t <sub>OXH</sub> )   |   | 100  |     |      | ns    |
| High Hold Time (t <sub>OSCH</sub> )   |   | 100  |     |      | ns    |
| Low Set-Up Time (t <sub>STL</sub> )   |   | 680  |     |      | ns    |
| High Set-Up Time (t <sub>STH</sub> )  |   | 100  |     |      | ns    |
| K1-K4, INB, F1-F3, D03  |   |      |     |      |       |
| Input Timing  |   |      |     |      |       |
| t <sub>SK</sub>   |   | 1.75 |     |      | μs    |
| t <sub>LK</sub>   |   | 1.0  |     |      | μs    |
| SI Input Timing   |   |      |     |      |       |
| t <sub>SX</sub>   |   | 1.5  |     |      | μs    |
| t <sub>HLDX</sub>   |   | 0.5  |     |      | μs    |
| BLK Output Timing   |   |      |     |      |       |
| t <sub>pdBLK</sub>  | C <sub>LOAD</sub> = 50 pF   |      |     | 4.4  | μs    |
| t <sub>rb</sub>   | C <sub>LOAD</sub> ≤ 20 pF   | 0.3  |     |      | μs    |
| F1, F2, F3 Output Timing  | C <sub>LOAD</sub> = 100 pF  |      |     | 4.4  | μs    |
| t <sub>pdf</sub>  |   |      |     |      |       |
| Osc Output Frequency  |   | 130  |     | 450  | kHz   |
| Osc Output Duty Cycle   |   | 33   | 56  | 68   | %     |
| Sync Output Timing  |   |      |     |      |       |
| Interval (t <sub>B</sub> , Bit Time)  | (For On-Chip Oscillator)  | 8.8  |     | 30   | μs    |
| t <sub>pdsL</sub>   | C <sub>L</sub> = 250 pF   | 0.1  |     | 1.65 | μs    |
| t <sub>pdsH</sub>   |   | 0.1  |     | 1.25 | μs    |
| t <sub>HS</sub>   |   | 0.1  |     | 0.8  | μs    |
| D01, D02, D03, D04, S0 Output Timing  | C <sub>L</sub> = 100 pF (D01-D04)<br>C <sub>L</sub> = 250 pF (S0) |      |     |      |       |
| t <sub>pd</sub>   |   | 0.5  |     | 4.0  | μs    |
| S <sub>a</sub> -S <sub>g</sub> , S <sub>p</sub> Output Timing (t <sub>pdSEG</sub> ) |   |      |     | 6.0  | μs    |
| Interdigit Blanking Time (T1)   |   |      |     | 7.5  | μs    |

## options

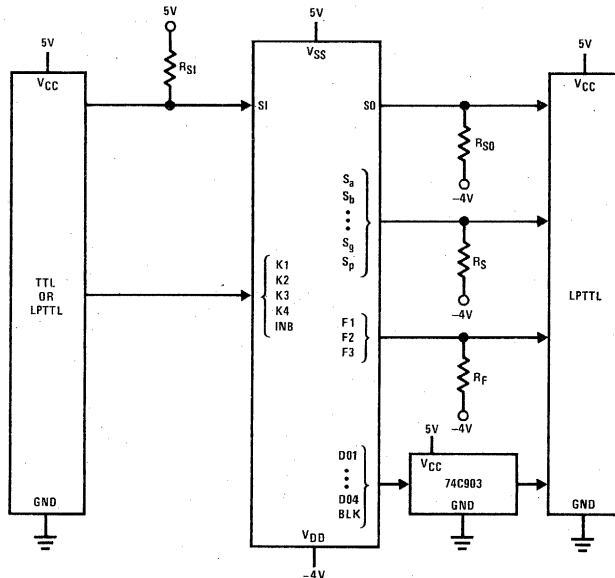
In addition to internal programming, for various applications, the following input/output options increase flexibility of the MM5799 for both calculator and other computational operations.

- 1) On-chip oscillator with oscillator output or external oscillator with on-chip load resistor (6 k $\Omega$  or 3 k $\Omega$  to VSS)
- 2) SYNC pin an output or input. The SYNC pin defines the beginning of an internal cycle time,  $\phi_1$ , during coincidence of low levels on OSC and SYNC, as shown in *Figures 2(a) and 2(b)*.
- 3) DO3 can be an output, an input or both.
- 4) RAM can be organized as 8 registers of 12 digits or 6 registers of 16 digits.
- 5) The shift register can be organized in either of the following two modes:
  - i) Data is shifted continuously from SI through a 4-bit register to S0. An AX0 instruction exchanges contents of register A with contents of shift register. The lowest order bit is shifted out on S0.
  - ii) The input of the shift register is tied to one. AX0 inputs SI to the most significant bit of A and A is shifted out of S0. Therefore, SI can be an input which does not affect S0.
- 6) The EXC+ instruction can be modified not to skip on B going to 13.
- 7) Segment outputs can be programmed for a minimum source current of 3 mA or 5 mA.
- 8) All outputs may be open drain or have a load device to VDD. In addition S0 may also have an active driver to VDD.
- 9) Power-on-reset may be brought in as an external reset pin.
- 10) The K inputs and INB may be active high or active low. The switching levels can be set for a keyboard or for a logic input. Input loads can go to VSS, VDD or be absent. And the inputs can be made to withstand -35V for interfacing with fluorescent displays.
- 11) The decodes of the BCD to segment PLA are mask-programmable for any characters (except 8).

## TTL interface

The MM5799 can interface with LPTTL with the external components shown below. The MM5799 outputs source current to provide a "1" level to LPTTL and external resistors must be provided to sink current for a "0" level. When driving the MM5799 from LPTTL

an on-chip load to VSS on the K inputs and INB insure a proper high level. An external resistor to VSS must be supplied on the SI input to overcome a load device to VDD on that pin.



8.4 k $\Omega$  is the maximum resistor that will still sink one LPTTL load and the lower resistor value still allows a 2.7V "1" level for R<sub>S0</sub>, R<sub>S1</sub> and R<sub>F</sub>. R<sub>F</sub> of 2.8k will overcome the device on SI and 680 $\Omega$  is the minimum resistor that LPTTL can sink.

$$\begin{aligned}
 670\Omega &\leq R_{S1} \leq 2.81\text{ k}\Omega \\
 3.5\text{ k}\Omega &\leq R_{S0} \leq 8.4\text{ k}\Omega \\
 1.9\text{ k}\Omega &\leq R_S \leq 8.4\text{ k}\Omega \\
 4.6\text{ k}\Omega &\leq R_F \leq 8.4\text{ k}\Omega
 \end{aligned}$$

switching time waveforms

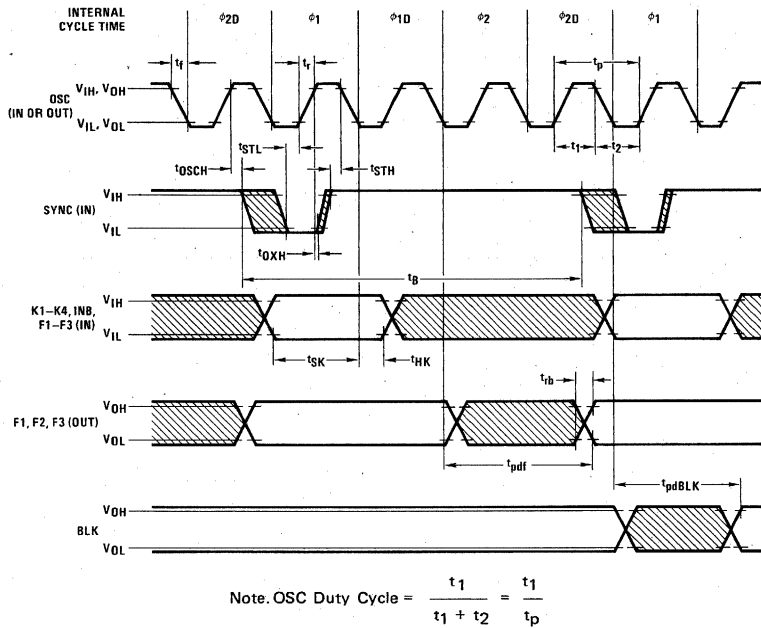


FIGURE 2(a). Input/Output Timing Diagram (External SYNC)

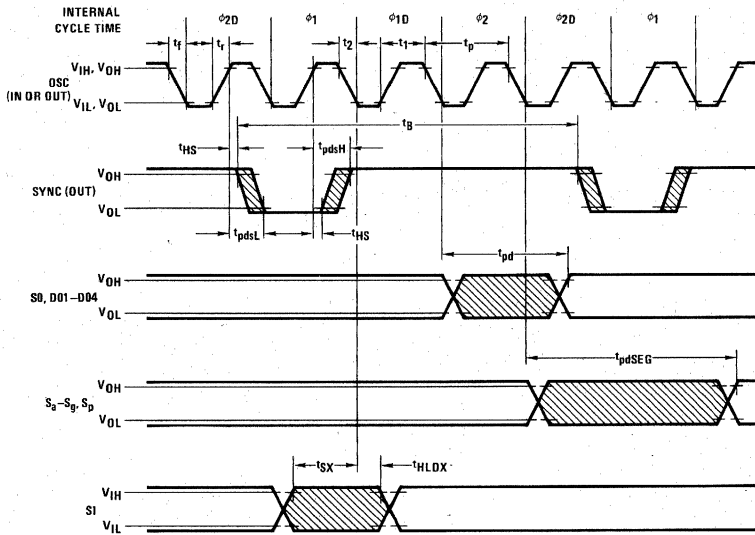
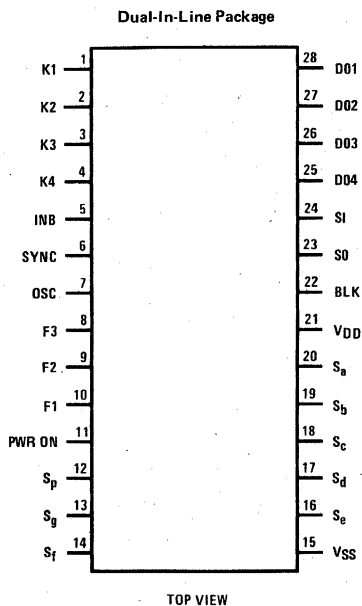


FIGURE 2(b). Input/Output Timing Diagram (Internal SYNC)



## connection diagram



Order Number MM5799N  
See Package 23

## functional description

A block diagram of the MM5799 is shown in *Figure 1*. The control ROM is organized as 1,536 8-bit instruction words. ROM addressing is by an 11-bit Program Counter Register P and 2 push-down address save registers, SA and SB. Internal data flow, storage, and input/output lines are controlled by 8-bit ROM instruction words.

Arithmetic and logic functions are performed in the 4-bit adder with results stored in accumulator A.

The RAM contains 384 bits, addressed as 96 4-bit words. Register lengths are under program control; e.g., the memory can be formatted as 6 registers x 16 digits, 8 registers x 12 digits.

Seven outputs are decoded by the segment PLA and brought out as either BCD or 7-segment information depending on the software program. Decimal position is brought out on the  $S_p$  line. The segment and decimal point output buffers are capable of driving LED displays directly. Digit timing information for driving displays and external keyboard scanning is encoded into a 4-bit code and brought out on the digit output lines D01–D04 and used by the DS8664, DS8665, DS8666,

DS8881 or DS8882 Decoder/Drivers to generate up to 14 digit outputs. A 2-bit code is used in systems employing the DS8874 Decoder/Driver (*Figures 4 and 5*).

Serial input and output ports (SI and SO) are provided for accessing external RAM and interfacing with peripheral equipment such as printers.

4 K-inputs may be used for direct data inputs or as key inputs scanned by 14 externally decoded digit output lines (D01–D04) for up to 56-key keyboards. There are 3 additional general purpose latched input/output ports, F1–F3. The BLK output is used as a blanking signal for the digit decoder/driver. One general purpose input INB can be tested under program control.

The MM5799 has an internal power-on clear which is initiated when the  $V_{DD}$  supply has reached a nominal value of  $V_{SS}-6V$ . The power-on clear is then extended for an additional 1 ms. External power-on clear can be provided which will override the internal clear when power supply turn-on time is not within the design specification of the MM5799, see Options, no. 9.

register and I/O port definitions

| DESCRIPTIONS  | DESIGNATIONS                                    |                           |       |                          |  |
|---|---|---------------------------|-------|--------------------------|--|
| 12,288-bit Control ROM  | I <sub>8</sub> -I <sub>1</sub>                  |                           |       |                          |  |
| 1,536 words x 8 bits (24 pages of 64 words)   |   |                           |       |                          |  |
| 11-bit Program Register   | P   |                           |       |                          |  |
| <table border="1" style="margin-left: 20px;"> <tr> <td>Page</td> <td>P<sub>p</sub> (P11 - P7)</td> </tr> <tr> <td>Word</td> <td>P<sub>w</sub> (P6 - P1)</td> </tr> </table>     | Page  | P <sub>p</sub> (P11 - P7) | Word  | P <sub>w</sub> (P6 - P1) |  |
| Page  | P <sub>p</sub> (P11 - P7)                       |                           |       |                          |  |
| Word  | P <sub>w</sub> (P6 - P1)                        |                           |       |                          |  |
| 2 x 11-bit Program Address Save Registers   | SA, SB  |                           |       |                          |  |
| 384-bit RAM organized as 8 registers x 12 digits x 4 bits<br>(r x d x z) or 6 x 16 x 4  | M   |                           |       |                          |  |
| 7-bit RAM Address Register  | B   |                           |       |                          |  |
| <table border="1" style="margin-left: 20px;"> <tr> <td>Register</td> <td>B<sub>r</sub> (B7 - B5)</td> </tr> <tr> <td>Digit</td> <td>B<sub>d</sub> (B4 - B1)</td> </tr> </table> | Register  | B <sub>r</sub> (B7 - B5)  | Digit | B <sub>d</sub> (B4 - B1) |  |
| Register  | B <sub>r</sub> (B7 - B5)                        |                           |       |                          |  |
| Digit   | B <sub>d</sub> (B4 - B1)                        |                           |       |                          |  |
| 4-Bit Accumulator   | A   |                           |       |                          |  |
| 4-bit Holding Register  | H   |                           |       |                          |  |
| 1-bit Carry Register  | C   |                           |       |                          |  |
| 4 Data or Control Inputs  | K1-K4   |                           |       |                          |  |
| 3 General Purpose Programmable Input/Output Lines   | F1-F3   |                           |       |                          |  |
| 8 Latched Programmable Outputs<br>(S <sub>a</sub> -S <sub>d</sub> available as BCD under program control)   | S <sub>a</sub> -S <sub>g</sub> , S <sub>p</sub> |                           |       |                          |  |
| General Purpose Input   | INB   |                           |       |                          |  |
| 4 Latched Digit Outputs   | DO4-DO1   |                           |       |                          |  |
| Serial Input and Output Ports   | SI and SO                                       |                           |       |                          |  |
| Blanking Signal Output  | BLK   |                           |       |                          |  |

standard instructions

|                       | MNEMONIC   | DATA FLOW   | SKIP IF               | DESCRIPTION  |
|-----------------------|------------|---|-----------------------|--|
| Arithmetic Operations | AD         | M + A → A   |                       | Add M (B) to A, store sum in A   |
|                       | ADD        | C + M + A → A<br>1 → C if A ≥ 10<br>0 → C if A < 10 | A < 10                | Add carry bit to M (B). Add sum to A, store sum in A<br>Set C if A ≥ 10, reset C if A < 10 |
|                       | SUB        | M + $\bar{A}$ + C → A<br>Overflow → C               | Overflow              | Subtract A from M<br>Overflow to C   |
|                       | COMP       | $\bar{A}$ → A                                       |                       | One's complement of A to A   |
|                       | OTA        | 0 → A   |                       | Clear Accumulator  |
|                       | ADX (Y)    | A + Y → A   | No overflow and Y ≠ 6 | Add constant (Y) to A. Store sum in A.<br>Y = 1, 2, ..., 15                                |
|                       | HXA        | H ↔ A   |                       | Exchange contents of H register with A   |
|                       | TAM        |   | A = M (B)             | Compare contents of A to M (B), skip if A = M (B)  |
|                       | SC         | 1 → C   |                       | Set C register   |
|                       | RSC        | 0 → C   |                       | Reset C register   |
|                       | TC         |   | C = 0                 | Skip if C = 0  |
|                       | Input Test | TIN   |                       | INB = 1  |
| TF (N)                |            |   | F (N) = 0             | Test F (N) pin. N = 1, 2, 3  |
| TKB                   |            |   | K = 1                 | Skip if any K input active. Active state of input is programmable                          |
| TIR                   |            |   | DO3 = 0               | Test DO3 pin as input  |

## standard instructions (con't)

|                           | MNEMONIC          | DATA FLOW   | SKIP IF   | DESCRIPTION   |
|---------------------------|-------------------|---|---|---|
| Input/Output              | BTD               | $\overline{B_d} \rightarrow DO4 - DO1$  |   | Transfer contents of $B_d$ to digit output latches, turns BLK output low for one cycle time   |
|                           | DSPA              | $A \rightarrow S_a - S_d$<br>$H \rightarrow S_e - S_g$<br>$\overline{C} \rightarrow S_p$  |   | $A4 - A1$ to output latches, directly to outputs $S_a - S_d$ .<br>$H3 - H1$ to output latches, direct to $S_e - S_g$ .<br>$\overline{C}$ to $S_p$ latch |
|                           | DSPS              | $A \rightarrow S_a - S_g$<br>$\overline{C} \rightarrow S_p$   |   | $A$ to output latches, 7-segment decoded to $S_a - S_g$ .<br>Segment decode is programmable. $\overline{C}$ to $S_p$ latch                              |
|                           | AXO               | $SI \rightarrow A$<br>$A \rightarrow SO$  |   | Exchange accumulator with serial input/output   |
|                           | LDF               | If $\overline{I_6^*} : \overline{I_5^*} \rightarrow F3$<br>If $\overline{I_4^*} : \overline{I_3^*} \rightarrow F2$<br>If $\overline{I_2^*} : \overline{I_1^*} \rightarrow F1$ |   | $N = 1, 2, 3$ . Load $F(N)$ from next instruction word.<br>2 microcycle instruction   |
|                           | READ              | $K4 - K1 \rightarrow A$   |   | Read $K$ inputs to $A$ . Active state of input is programmable  |
|                           | Control Functions | GO TO (GO)  | $I_6 - I_1 \rightarrow P_W$<br>If $P_p = 1111 X$ :<br>11110 $\rightarrow P_p$ |   |
| CALL                      |                   | $I_6 - I_1 \rightarrow P_W$ .<br>11111 $\rightarrow P_p$<br>If $P_p \neq 1111 X$ :<br>$SA \rightarrow SB$ ,<br>$P + 1 \rightarrow SA$   |   | Call subroutine. If not on page 36g or 37g, push down address save registers. Set page address to 37g   |
| RET                       |                   | $SA \rightarrow P$<br>$SB \rightarrow SA, SB \rightarrow SB$  |   | Pop up ROM address save registers   |
| RETS                      |                   | $SA \rightarrow P$<br>$SB \rightarrow SA, SB \rightarrow SB$  | SKIP  | RET, then skip next instruction upon return   |
| LG/GO                     |                   | Load $P$<br>$\overline{I_4} - \overline{I_1}, I_8^* \rightarrow P_p$<br>$I_6^* - I_1^* \rightarrow P_W$   |   | 2 microcycle operation. Long GO TO, Load $P_p$ and $P_W$ (Note 1)   |
| LG/CALL                   |                   | $SA \rightarrow SB, P + 1 \rightarrow SA$<br>Load $P$   |   | 2 microcycle operation. Long call.*Load $P_p$ and $P_W$ . Push down address save register (Note 1)  |
| NOP                       |                   |   |   | No operation  |
| Memory Digit Operations   | EXC (r)           | $A \leftrightarrow M(B)$<br>$B_r \oplus r \rightarrow B_r$  | $B_d \rightarrow 15$  | Exchange data word at $M(B)$ with $A$ . EXCLUSIVE-OR $B_r$ with $r$ . $r = 0, 1, 2, 3$  |
|                           | EXC -(r)          | $A \leftrightarrow M(B)$<br>$B_r \oplus r \rightarrow B_r$ ,<br>$B_d - 1 \rightarrow B_d$   |   | Exchange and decrement $B_d$<br>EXCLUSIVE-OR $B_r$ with $r$ . $r = 0, 1, 2, 3$  |
|                           | EXC +(r)          | $A \leftrightarrow M(B)$<br>$B_r \oplus r \rightarrow B_r$ ,<br>$B_d + 1 \rightarrow B_d$   | $B_d \rightarrow 0$ or<br>$B_d \rightarrow 13$                                | Exchange and increment $B_d$<br>EXCLUSIVE-OR $B_r$ with $r$ . $r = 0, 1, 2, 3$  |
|                           | MTA (r)           | $M(B) \rightarrow A$<br>$B_r \oplus r \rightarrow B_r$  |   | Load accumulator with data word $M(B)$<br>EXCLUSIVE-OR $B_r$ with $r$ . $r = 0, 1, 2, 3$  |
|                           | LM (Y)            | $Y \rightarrow M(B)$<br>$B_d + 1 \rightarrow B_d$   |   | Load memory with $Y$ . $Y = 0, 1, 2, \dots, 15$<br>Increment $B_d$  |
| Memory Bit Operations     | SM (Z)            | $1 \rightarrow M(B, Z)$   |   | Set Bit $Z$ of $M(B)$ , $Z = 1, 2, 4, 8$  |
|                           | RSM (Z)           | $0 \rightarrow M(B, Z)$   |   | Reset Bit $Z$ of $M(B)$   |
|                           | TM (Z)            |   | $M(B, Z) = 0$   | Test Bit $Z$ of $M(B)$ , skip if 0  |
| Memory Address Operations | LB (r, d)         | $r \rightarrow B_r, d \rightarrow B_d$  |   | $r = 0, 1, 2, 3$ . $d = 0, 11, 12, 13, 14, 15$ .<br>Load $B$ register. Successive LB's are ignored (Note 2)   |
|                           | LBL               | $I_7^* - I_5^* \rightarrow B_r$ ,<br>$I_4^* - I_1^* \rightarrow B_d$  |   | 2 microcycle instruction. Load next ROM word into $B$ register  |
|                           | ATB               | $A \rightarrow B_d$   |   | Transfer contents of accumulator to $B_d$ register  |
|                           | BTA               | $B_d \rightarrow A$   |   | Transfer contents of $B_d$ register to accumulator  |
|                           | HXBR              | $H \leftrightarrow B_r$   |   | Exchange contents of $H$ and $B_r$ registers  |

Note 1: ROM pages 10g through 17g cannot be used.

\*Second microcycle word

Note 2:  $d = 4, 11, 12, 13, 14, 15$  when RAM is configured  $8 \times 12 \times 4$ .

## operation codes

| OP CODE                       |                               |                               |                               | MNEMONIC    |             |             |             |
|-------------------------------|-------------------------------|-------------------------------|-------------------------------|-------------|-------------|-------------|-------------|
| I <sub>8</sub> I <sub>7</sub> | I <sub>6</sub> I <sub>5</sub> | I <sub>4</sub> I <sub>3</sub> | I <sub>2</sub> I <sub>1</sub> | 00          | 01          | 10          | 11          |
| 00                            | XX                            | 00                            | 00                            | NOP         | DSPA        | COMP        | OTA         |
| 00                            | XX                            | 00                            | 01                            | HXBR        | DSPS        | AXO         | HXA         |
| 00                            | XX                            | 00                            | 10                            | ADD         | AD          | SUB         | TAM         |
| 00                            | XX                            | 00                            | 11                            | SC          | LBL         | RSC         | LDF         |
| 00                            | XX                            | 01                            | 00                            | TF1         | TF2         | TF3         | READ        |
| 00                            | XX                            | 01                            | 01                            | TIR         | TKB         | BTD         | TIN         |
| 00                            | XX                            | 01                            | 10                            | MTA (r)     |             |             |             |
| 00                            | XX                            | 01                            | 11                            | EXC (r)     |             |             |             |
| 00                            | XX                            | 10                            | 00                            | EXC- (r)    |             |             |             |
| 00                            | XX                            | 10                            | 01                            | EXC+ (r)    |             |             |             |
| 00                            | XX                            | 10                            | 10                            | LB (r, 0)*  |             |             |             |
| 00                            | XX                            | 10                            | 11                            | LB (r, 11)  |             |             |             |
| 00                            | XX                            | 11                            | 00                            | LB (r, 12)  |             |             |             |
| 00                            | XX                            | 11                            | 01                            | LB (r, 13)  |             |             |             |
| 00                            | XX                            | 11                            | 10                            | LB (r, 14)  |             |             |             |
| 00                            | XX                            | 11                            | 11                            | LB (r, 15)  |             |             |             |
| 01                            | 00                            | 00                            | XX                            | RET         | RETS        | RSM (8)     | BTA         |
| 01                            | 00                            | 01                            | XX                            | TM (1)      | TM (2)      | TM (4)      | TM (8)      |
| 01                            | 00                            | 10                            | XX                            | RSM (1)     | SM (1)      | SM (8)      | RSM (4)     |
| 01                            | 00                            | 11                            | XX                            | RSM (2)     | TC          | SM (2)      | SM (4)      |
| 01                            | 01                            | 00                            | XX                            | ATB         | ADX (1)     | ADX (2)     | ADX (3)     |
| 01                            | 01                            | 01                            | XX                            | ADX (4)     | ADX (5)     | ADX (6)     | ADX (7)     |
| 01                            | 01                            | 10                            | XX                            | ADX (8)     | ADX (9)     | ADX (10)    | ADX (11)    |
| 01                            | 01                            | 11                            | XX                            | ADX (12)    | ADX (13)    | ADX (14)    | ADX (15)    |
| 01                            | 10                            | 00                            | XX                            | LG (36, 37) | LG (35, 34) | LG (33, 32) | LG (31, 30) |
| 01                            | 10                            | 01                            | XX                            | LG (27, 26) | LG (25, 24) | LG (23, 22) | LG (21, 20) |
| 01                            | 10                            | 10                            | XX                            | LG (17, 16) | LG (15, 14) | LG (13, 12) | LG (11, 10) |
| 01                            | 10                            | 11                            | XX                            | LG (7, 6)   | LG (5, 4)   | LG (3, 2)   | LG (1, 0)   |
| 01                            | 11                            | 00                            | XX                            | LM (0)      | LM (1)      | LM (2)      | LM (3)      |
| 01                            | 11                            | 01                            | XX                            | LM (4)      | LM (5)      | LM (6)      | LM (7)      |
| 01                            | 11                            | 10                            | XX                            | LM (8)      | LM (9)      | LM (10)     | LM (11)     |
| 01                            | 11                            | 11                            | XX                            | LM (12)     | LM (13)     | LM (14)     | LM (15)     |
| 10                            | XX                            | XX                            | XX                            | CALL        |             |             |             |
| 11                            | XX                            | XX                            | XX                            | GO          |             |             |             |

\*Programmable 0 - 10.

## applications information

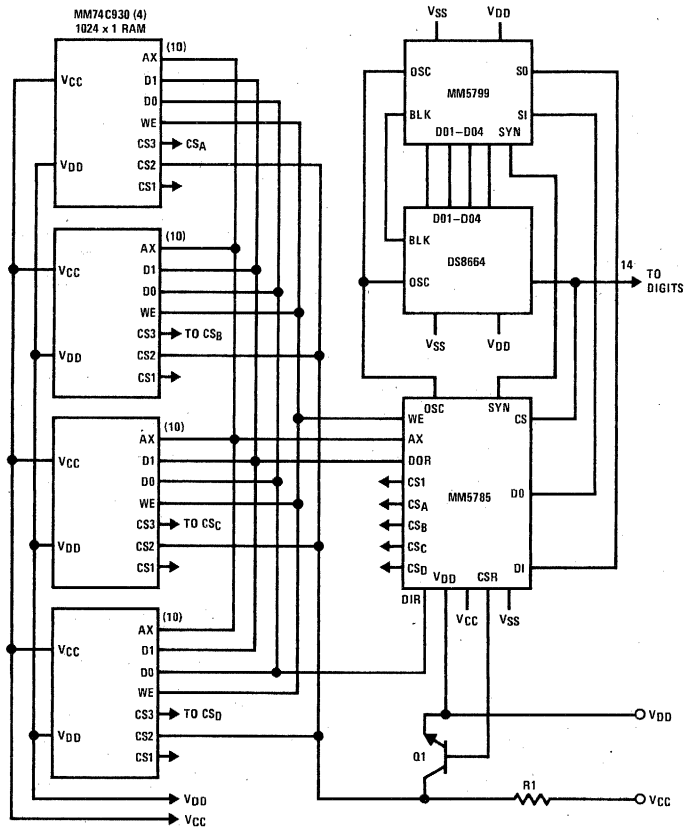
Versatility of the MM5799 is enhanced by the availability of circuits to interface the chip with a variety of drum printers, displays, and additional read/write store.

The MM5785 RAM Interface Element allows expansion of the on-chip 384-bit store using 1024 x 1-bit random access memory chips. *Figure 3* illustrates the technique used to interface the MM5799 to additional RAM such as might be required in a low-cost electronic cash register system. Low power CMOS memory is used with battery standby power available for retention of totals during

periods of power interruption. MM2102 RAMs may be used for low-cost storage when power is not critical.

The MM5788 Printer Interface Element provides the logic and control functions necessary to operate a Seiko Model 101, 102, 104, 210, 310 or 320 type printer from the MM5799. DS8863A transistor buffers are used as current amplifiers between the MM5788 and printer. A typical application of the MM5799 in a printing calculator is illustrated in *Figure 4*. The MM5788 is also useful as a data interface element providing 9 I/O pins and 12 output ports.

applications information (con't)



Note. Q1 and R1 are required only if the RAMs are operated on battery during system power "OFF."

FIGURE 3. MM5799 with Expanded RAM

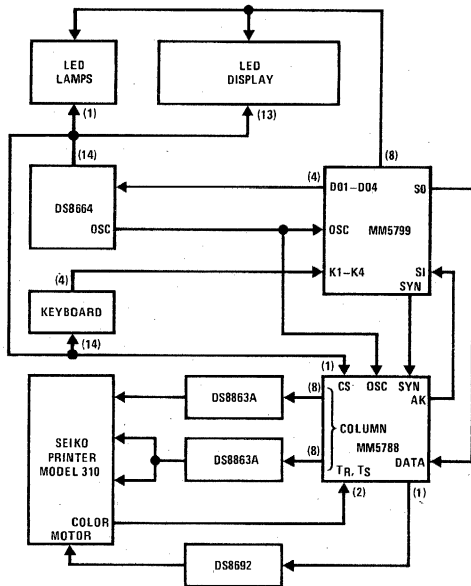


FIGURE 4. Printing and Display Calculator

## applications information (con't)

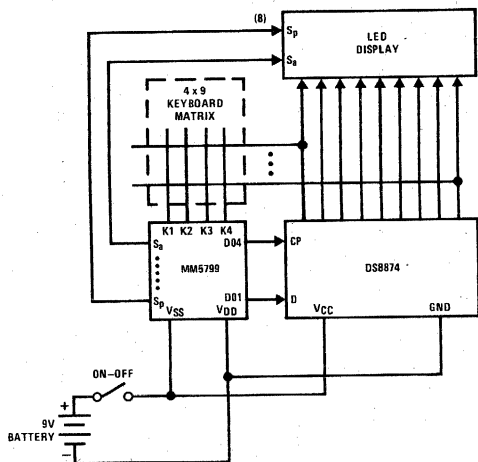


FIGURE 5. Low Cost 9-Digit Calculator Using MM5799

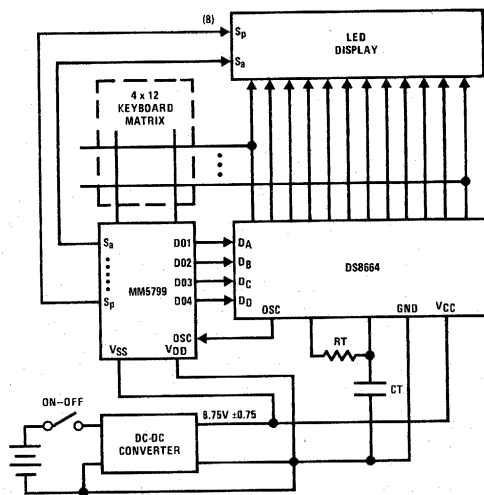


FIGURE 6. Low Cost Scientific Calculator Using MM5799

There are 6-digit decoder/drivers that can be used with the MM5799 in LED systems. There are actually the same basic bipolar chip with different metal mask options. The DS8664 is the decoder for low power, battery operated applications. It supplies 1 of 14 outputs decoded from the 4 bits of encoded timing information generated by the MM5799. The active output state sinks at least 80 mA of driving current at each of its 14 digit outputs. The DS8665 is similar, but has inverted outputs that source 8 mA of current and is used in conjunction with DS8692 transistor arrays for large LED displays with high current requirements. The DS8666 is used in special applications which require only 8 digits or less of high current display, but need all 14 digits out to scan keyboards or address extra data storage. It has 8 current sourcing digit outputs and 6 sinking type outputs. An output enable signal can be used to blank the outputs of the drivers during input transition periods to

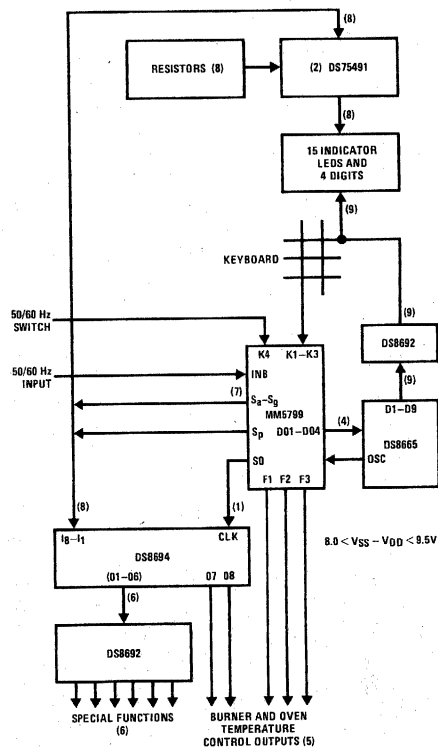


FIGURE 7. Oven Timing and Control System

eliminate any timing "glitches" at the outputs or reduce power dissipation of the system during shut-down mode. The DS8664 has an on-chip 3-cell battery voltage sensing circuit which signals a low battery condition back to the MM5799 through the D03 input. The fourth decoder/driver that can be used is the DS8874. It is useful for very low-cost handheld calculators as shown in Figure 6. The DS8881, DS8882 are similar to the DS8664, but have active high outputs to drive vacuum fluorescent grids (digits).

An on-chip oscillator is available for applications in which frequency variations are not critical. An oscillator also exists on the DS8664, DS8665, DS8666, DS8881, and DS8882 Decoder/Driver and can be used for more critical applications. An external timing resistor and capacitor provides more accurate setting of oscillator frequency.

## applications information (con't)

Application of the MM5799 as an oven timing and control system is illustrated in *Figure 7*. The controller derives timing signals from a 50 or 60 Hz line and displays time of day in the "idle" mode. The chip stores turn-on time, turn-off time and temperature for each of 4 burners and the oven. Six special function outputs are provided for control of lights, fans, etc. This application illustrates the use of the MM5799 in the general area of

control processors. The DS8694 has clocked input latches which allow the segment outputs of the MM5799 to be used as both control and display ports on a time multiplexed basis.

*Figures 8 and 9* show some example methods of expanding I/O and control for general controller applications.

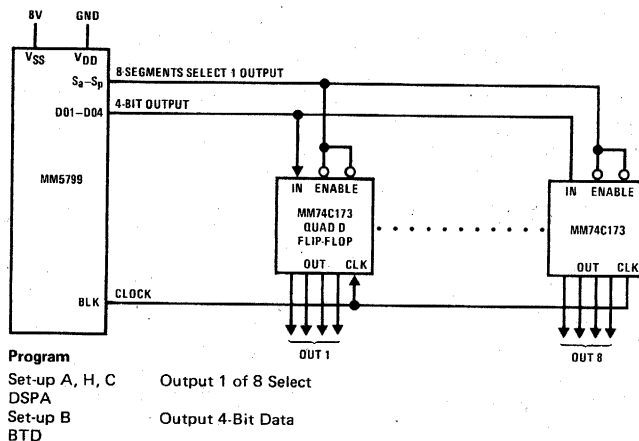


FIGURE 8. 8 Output Groups of 4 Each

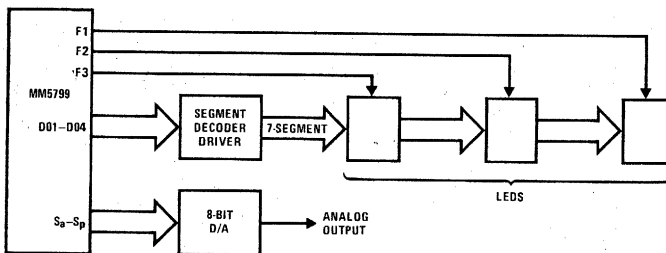


FIGURE 9. Multiplexed Display and 8-Bit D/A



## MM57109 number processing unit

### general description

The MM57109 is an MOS/LSI digit-oriented microprocessor intended for use in number processing applications. Scientific calculator functions, test and branch capability, internal data storage, and general purpose input/output ports have been combined in this single chip device. Programming is done in calculator keyboard level language with software development simplified and generated code more reliable because algorithms are preprogrammed in an on-chip ROM. Data or instructions can be synchronous or asynchronous; digit count, calculation mode, error control are user programmable; a sense input and flag outputs are available for single bit control.

The MM57109 can be used as a stand alone processor with external ROM/PROM and program counter (PC). Alternatively, it can be configured as a peripheral device on the bus of a microprocessor or minicomputer.

### features

Scientific calculator instructions (RPN)

- Floating point or scientific notation
- Up to 8-digit mantissa, 2-digit exponent

- 4-register stack, 1 memory register
- Trigonometric functions, logarithmic functions,  $Y^X$ ,  $e^X$ ,  $\pi$ , etc.
- Error flag generation and recovery

Flexible input/output

- HOLD input allows asynchronous instructions, single step, DMA stall
- Asynchronous digit input instruction (AIN) with AIN ready (ADR) input
- Multi-digit I/O instructions (IN, OUT)
- Programmable mantissa digit count
- Sense input and flag outputs

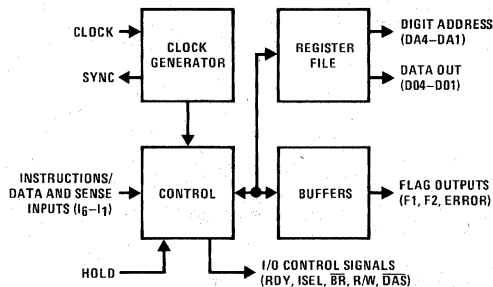
Branch control

- Conditional and unconditional program branching
- Increment/decrement skip on zero for program loops

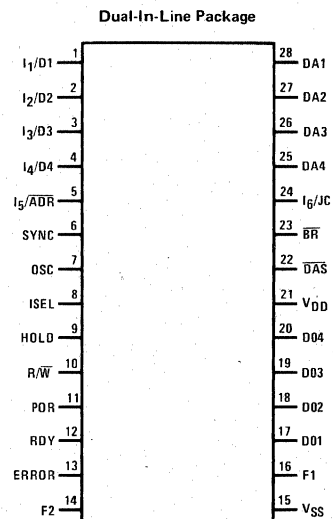
Interface simplicity

- Single  $\phi$  clock
- Low power operation
- Generation of I/O control signals
- Separate digit input, output, and address bus

### block diagram



### connection diagram



TOP VIEW

Order Number MM57109N  
See Package 23







## MM57126 COPS memory

### general description

The MM57126 is a 1024-bit shift register designed to directly interface with National's MM5782 and MM5799 Controller Oriented Processors. The device is configured as sixteen 64-bit registers with address decoding and control logic to perform the handshake sequence and to synchronize the MM57126 timing with the controlling processor. A chip select input allows up to fourteen

MM57126 registers to be used with a single processor when the decoded digit lines are used as chip select drive.

### features

- Direct interface to MM5782 and MM5799 for RAM expansion
- Chip select input for multiple MM57126 system usage

### block diagram

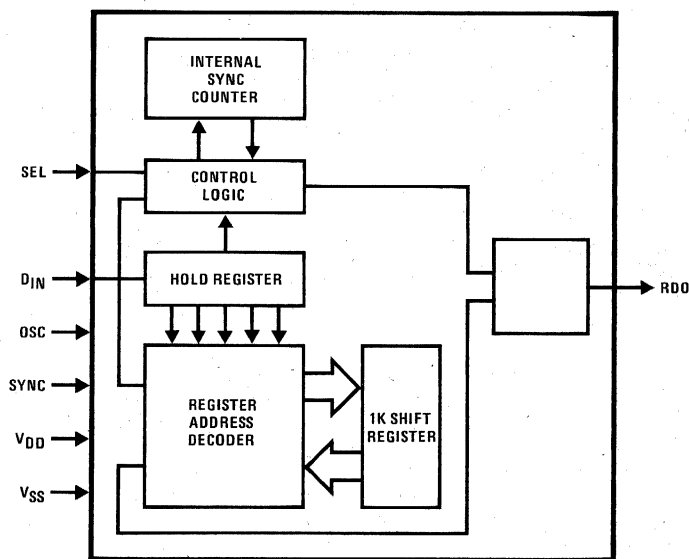


FIGURE 1. MM57126 1K Shift Register Element

### connection diagram

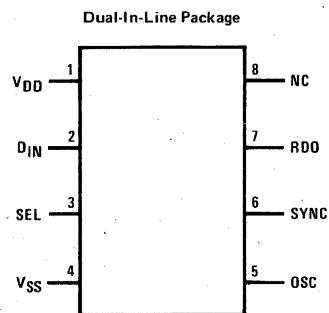


FIGURE 1a.

Order Number MM57126N  
See Package 17

#### Pin Description

- OSC — Oscillator input
- SYNC — SYNC input from Controller Oriented Processor
- SEL — Chip select line input. Active at logical low level ( $V_{DD}$ )
- DIN — Data input from Controller Oriented Processor (SO).
- RDO — Output to Controller Oriented Processor (SI). RDO is active logical low level ( $V_{DD}$ ) when chip is ready. During read command data stream flows out of MM57126.
- VSS — Positive power supply terminal.  $6.5V \leq V_{SS} - V_{DD} \leq 9.5V$
- VDD — Negative power supply terminal.  $6.5V \leq V_{SS} - V_{DD} \leq 9.5V$ .

## absolute maximum ratings

Voltage at Any Pin Relative to  $V_{SS}$   $V_{SS} + 0.3V$  to  $V_{SS} - 12V$   
 (All Other Pins Connected to  $V_{SS}$ )  
 Ambient Operating Temperature  $0^{\circ}C$  to  $+70^{\circ}C$   
 Ambient Storage Temperature  $-55^{\circ}C$  to  $+150^{\circ}C$   
 Lead Temperature (Soldering, 10 seconds)  $300^{\circ}C$

## operating voltage range

 $-6.5V \geq V_{SS} - V_{DD} \geq -9.5V$ 

( $V_{SS}$  is always the most positive supply voltage)

dc electrical characteristics ( $0^{\circ}C$  to  $+70^{\circ}C$  except where noted otherwise)

| PARAMETER                             | CONDITIONS   | MIN            | TYP | MAX                              | UNITS   |
|---------------------------------------|--|----------------|-----|----------------------------------|---------|
| Operating Supply Current ( $I_{DD}$ ) | $V_{DD} = V_{SS} - 9.5V$ , $T_A = 25^{\circ}C$   |                | 12  | 20                               | mA      |
| OSC Input Levels                      |  |                |     |                                  |         |
| Logic High Level ( $V_{IH}$ )         | $V_{DD} = V_{SS} - 6.5V$   | $V_{SS} - 1.0$ |     |                                  | V       |
| Logic High Level ( $V_{IH}$ )         | $V_{DD} = V_{SS} - 7.9V$   | $V_{SS} - 1.0$ |     |                                  | V       |
| Logic Low Level ( $V_{IL}$ )          | $V_{DD} = V_{SS} - 9.5V$   |                |     | $V_{DD} + 1.5$                   | V       |
| SYNC and $D_{IN}$ Input Levels        |  |                |     |                                  |         |
| Logic High Level ( $V_{IH}$ )         | $V_{DD} = V_{SS} - 6.5V$   | $V_{SS} - 1.2$ |     |                                  | V       |
| Logic High Level ( $V_{IH}$ )         | $V_{DD} = V_{SS} - 7.9V$   | $V_{SS} - 1.2$ |     |                                  | V       |
| Logic Low Level ( $V_{IL}$ )          | $V_{DD} = V_{SS} - 7.9V$   |                |     | $V_{SS} - 4.0$                   | V       |
| SEL Input Levels                      |  |                |     |                                  |         |
| Logic High Level ( $V_{IH}$ )         | $V_{DD} = V_{SS} - 6.5V$   | $V_{SS} - 2.5$ |     |                                  | V       |
|                                       | $V_{DD} = V_{SS} - 7.9V$   | $V_{SS} - 3.2$ |     |                                  | V       |
|                                       | $V_{DD} = V_{SS} - 9.5V$   | $V_{SS} - 4.5$ |     |                                  | V       |
| Logic Low Level ( $V_{IL}$ )          | $V_{SS} - 9.5 \leq V_{DD} \leq V_{SS} - 7.9V$  |                |     | $V_{DD} + 1.5$                   | V       |
|                                       | $V_{DD} = V_{SS} - 6.5V$   |                |     | $V_{DD} + 0.4$                   | V       |
| High Level Current ( $I_{IH}$ )       | $V_{IH} = V_{SS} - 3.2V$   |                |     | -350                             | $\mu A$ |
|                                       | $V_{DD} = V_{SS} - 7.9V$   |                |     |                                  |         |
| High Level Current ( $I_{IH}$ )       | $V_{IH} = V_{SS} - 2.5$  |                |     | -350                             | $\mu A$ |
|                                       | $V_{DD} = V_{SS} - 6.5V$   |                |     |                                  |         |
| RDO Output Levels                     |  |                |     |                                  |         |
| Logic High Level ( $V_{OH}$ )         | $I_{OH} \leq -100 \mu A$<br>$6.5 \leq V_{SS} - V_{DD} \leq 9.5$                                    | $V_{SS} - 0.5$ |     |                                  | V       |
| Logic Low Level ( $V_{OL}$ )          | $I_{OL} \geq 25 \mu A$<br>$V_{DD} = V_{SS} - 6.5V$<br>$V_{SS} - 9.5 \leq V_{DD} \leq V_{SS} - 7.9$ |                |     | $V_{DD} + 2.5$<br>$V_{DD} + 3.7$ | V<br>V  |

## ac electrical characteristics (0°C to +70°C except where noted otherwise)

| PARAMETER                       | CONDITIONS                            | MIN  | TYP | MAX | UNITS   |
|---------------------------------|---------------------------------------|------|-----|-----|---------|
| Bit Time ( $t_B$ )              |                                       | 10   |     | 50  | $\mu s$ |
| OSC Input Frequency             |                                       | 80   |     | 400 | kHz     |
| OSC Duty Cycle                  | (Figure 5)                            | 46   | 56  | 66  | %       |
| T1                              |                                       | 1.1  |     |     | $\mu s$ |
| T2                              | OSC Frequency = 400kHz                | 0.85 |     |     | $\mu s$ |
| SYNC Input Transition Times     |                                       |      |     |     |         |
| Rise Time ( $t_r$ )             |                                       |      |     | 0.5 | $\mu s$ |
| Fall Time ( $t_f$ )             |                                       |      |     | 1.0 | $\mu s$ |
| OSC Input Transition Time       |                                       |      |     |     |         |
| Rise Time ( $t_r$ )             | OSC Frequency = 400kHz                |      |     | 330 | ns      |
| Fall Time ( $t_f$ )             |                                       |      |     | 50  | ns      |
| SYNC Input Set-Up Times         |                                       |      |     |     |         |
| $t_{SET-UP}$ to $V_{IL}$        | (Figure 5)                            |      |     | 2.0 | $\mu s$ |
| $t_{SET-UP}$ to $V_{IH}$        |                                       |      |     | 0.0 | $\mu s$ |
| $D_{IN}$ Input Transition Times |                                       |      |     |     |         |
| Rise Time ( $t_r$ )             |                                       |      |     | 1.2 | $\mu s$ |
| Fall Time ( $t_f$ )             |                                       |      |     | 2.2 | $\mu s$ |
| $D_{IN}$ Input Set-Up Times     |                                       |      |     |     |         |
| $t_{SET-UP}$                    |                                       |      |     | 2.5 | $\mu s$ |
| $t_{HOLD}$                      | (Figure 4)                            | 3.5  |     |     | $\mu s$ |
| SEL Input Transition Times      |                                       |      |     |     |         |
| $t_r$                           |                                       |      |     | 2.0 | $\mu s$ |
| $t_f$                           |                                       |      |     | 0.1 | $\mu s$ |
| SEL Input Set-Up Times          |                                       |      |     |     |         |
| $t_{SET-UP}$                    |                                       |      |     | 2.5 | $\mu s$ |
| $t_{HOLD}$                      | (Figure 4)                            | 3.5  |     |     | $\mu s$ |
| RDO Output                      |                                       |      |     |     |         |
| $t_r$                           | $C_L \leq 100$ pF                     |      |     | 2.0 | $\mu s$ |
| $t_f$                           | $V_{DD} = V_{SS} - 6.5V$              |      |     | 2.0 | $\mu s$ |
| $t_{pdH}$                       | $V_{DD} = V_{SS} - 7.9V$ , (Figure 4) |      |     | 3.5 | $\mu s$ |
| $t_{pdH}$                       | $V_{DD} = V_{SS} - 6.5V$ , (Figure 4) |      |     | 5.5 | $\mu s$ |
| $t_{pdL}$                       | $V_{DD} = V_{SS} - 6.5V$ , (Figure 4) |      |     | 3.5 | $\mu s$ |
| $t_{pdL1}$                      | $V_{DD} = V_{SS} - 7.9V$ , (Figure 4) |      |     | 4.0 | $\mu s$ |

## functional description

The chip is configured as sixteen 64-bit shift registers, with appropriate address decoding and control logic to perform the handshaking sequence and synchronize the MM57126 timing with the controlling processor.

The processor must generate a start bit first, then 16 write commands to clear the MM57126 on power "ON". Figure 2 shows a typical system configuration using multiple MM57126's for RAM expansion.

**functional description** (Continued)

The MM57126 communicates serially with the processor. The handshake sequence is (Figure 3):

- The processor drives the chip select (SEL) line to a logical low level state.
- The ready output (RDO) responds with a logical low level when MM57126 is ready to communicate.
- For a valid handshake, the DIN input should be at logical low level during ready transition, and the MM57126 should receive the start bit within 3 to 12-bit times from the ready transition; else the ready output is reset and the processor has to wait (if SEL is still at low level) for the next ready.
- During a valid handshake, the data stream consists of: a start bit, a read/write bit, a 4-bit Delay, 4 register address bits and 64-bits of data as shown in Figure 3a. Data flows serially in or out of the MM57126, depending on the read/write command.
- Handshaking terminates when the ready signal goes back to a logic high level.

The Controller Oriented Processor can be programmed to generate the following assembly language routine for expanding data storage using one or more MM57126's.

**MAIN PROGRAM**

- (i) **Write:** Write register 0 of processor to register N on the selected chip Y.

| Instruction | Comments  |
|-------------|---|
| LB 2, 15    |   |
| LM N        |   |
|             | Load register address N into M (2, 15). (N = 0, 1, 2, ... 15.)                |
| LBL 0, Y    |   |
|             | Load B register of processor with MM57126 chip address Y. (Y = 1, 2, ... 14). |
| CALL WRITE  | Call subroutine WRITE   |

- (ii) **Read:** Read register (N) on the selected chip (Y) to register 0 of the processor.

| Instruction      | Comments                              |
|------------------|---------------------------------------|
| LB 2, 15         |                                       |
| LM N             |                                       |
| LB 0, 15         |                                       |
| CLEAR OTA        | Register 0 should be cleared          |
| EXC—<br>GO CLEAR |                                       |
| LBL              | Y is the selected MM57126 chip number |
| 0, Y             |                                       |
| CALL READ        | Call subroutine READ                  |

**SUBROUTINE**

| Instruction | Comments  |
|-------------|---|
| WRITE RSC   | Reset C register of processor to 0 for WRITE                                  |
| GO NEXT     |   |
| READ SC     | Set C register to 1 for READ  |
| NEXT OTA    |   |
| ADX 5       | READ/WRITE code to MM57126 will be a 0 if 5 is placed in A, and a 1 if A is 7 |
| NOP         | A = 7 in case of READ   |
| TC          |   |
| ADX 2       |   |
| NOP         |   |
| HXA         | A ↔ H   |
| OTA         |   |
| AXO         | Clear the serial input/output port  |

| Instruction    | SO              | Comments   |
|----------------|-----------------|--|
| BTD            | 0               | Select MM57126 chip  |
| NOP            | 0               |  |
| NREADY OTA     | 0               | Check ready signal transition  |
| AXO            | 0               | from high-to-low level (MM57126 is ready to communicate)   |
| ADX 1          | 0               |  |
| GO READYH      | 0               |  |
| OTA            | 0               |  |
| AXO            | 0               |  |
| NOP            | 0               |  |
| GO NREADY      | 0               |  |
| READYH OTA     | 0               |  |
| AXO            | 0               |  |
| ADX 1          | 0               |  |
| GO READYH      | 0               |  |
| HXA            | 0               | Transfer READ or WRITE instruction pattern to I/O port to be shifted serially to MM57126         |
| AXO            | 0               |  |
| NOP            | 1               |  |
| OTA            | R/W             |  |
| LB 2, 15       | 1               | Shift the register address (N) serially to MM57126, and point to M (0, 15)                       |
| AXO            | 0               |  |
| MTA 2          | 0               |  |
| AXO            | 0               |  |
| CHECK TC       | RA <sub>1</sub> | If it is the read instruction, go to the delay loop to allow I/O port be filled with first digit |
| GO DELAY       | RA <sub>2</sub> |  |
| REP MTA        | RA <sub>3</sub> |  |
| AXO            | RA <sub>4</sub> | Shift 64 bits of data  |
| EXC—<br>GO REP |                 |  |
| BTD            |                 |  |
| RET            |                 |  |
| DELAY NOP      |                 | Delay loop   |
| RSC            |                 |  |
| GO CHECK       |                 |  |

functional description (Continued)

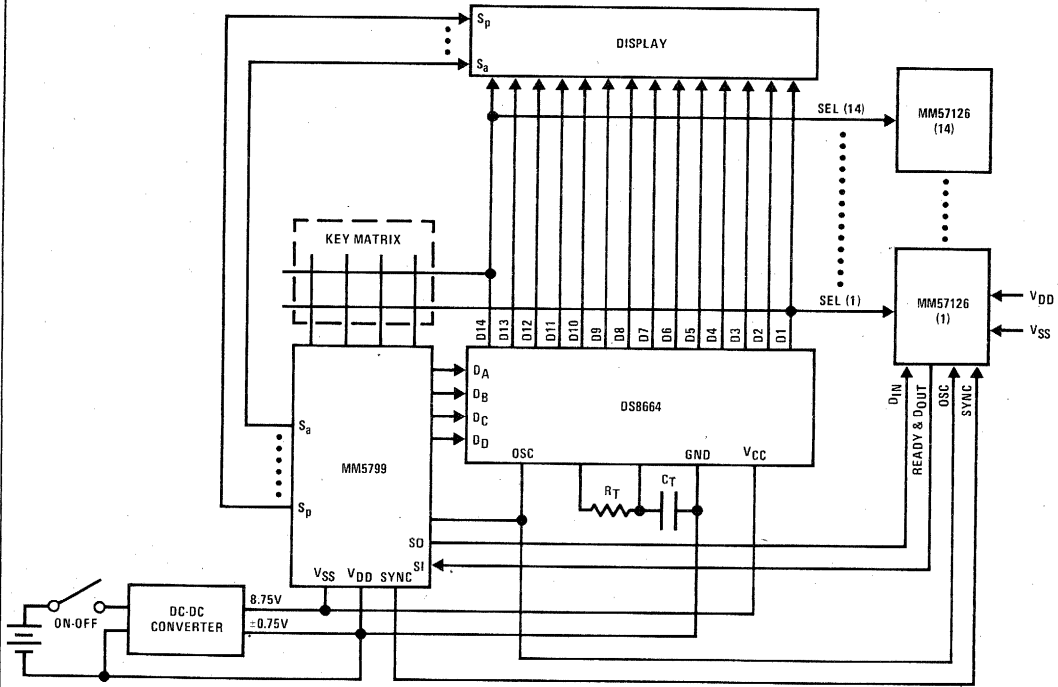


FIGURE 2. System Diagram

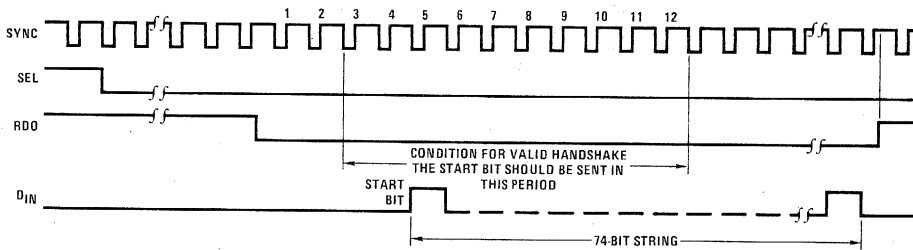


FIGURE 3. Timing Diagram for Handshaking Sequence

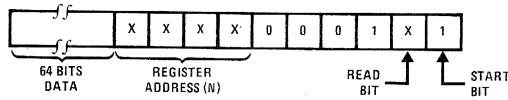


FIGURE 3a

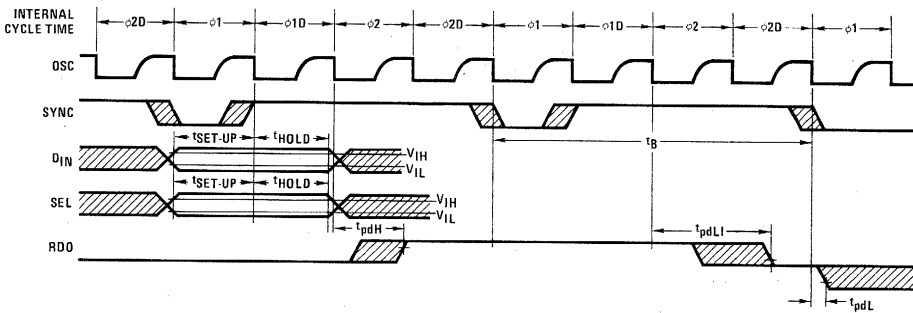
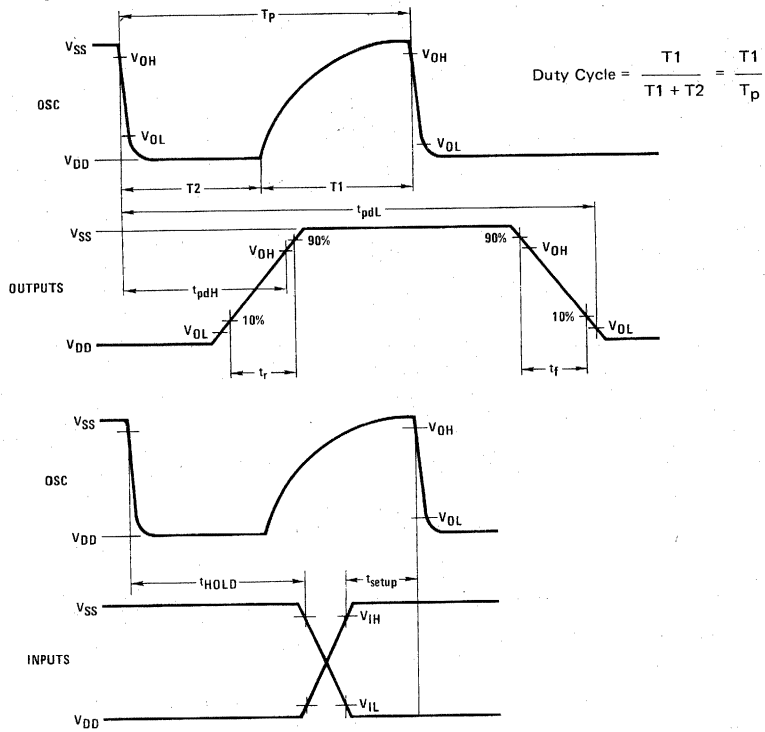


FIGURE 4

## functional description (Continued)



Note.  $t_{SETUP}$  is defined as time from osc. makes  $V_{OH}$  or  $V_{OL}$  transition to input  $V_{IH}$  or  $V_{IL}$  transition (ref. Figure 4, corresponding osc. time).

$t_{HOLD}$  is defined as time from osc. makes  $V_{OH}$  or  $V_{OL}$  transition to input  $V_{IH}$  or  $V_{IL}$  transition (ref. Figure 4, corresponding osc. time).

FIGURE 5



## MM57140 Controller Oriented Processor (COP)

### general description

The MM57140 is an MOS/LSI device containing all system timing, arithmetic and logic, RAM, and control ROM functions required for implementation of a Controller Oriented Processor. It is capable of scanning up to 36 keyboard switches, or data may be entered as BCD data words through four input lines (K1-K4). Two general purpose inputs are available, and a third general purpose input shares an I/O pad with segment G. Nine output digits can be programmed as 1 of 9 (D1-D9), or as binary output on D1-D4, with a separate decoding of 1 of 5 on D5-D9. The segment outputs are mask programmable for either 7-segment output, or 4-bit binary output. All outputs on the MM57140 are latched, permitting the ROM to perform other functions while holding output data constant. Many options, and flexibility in programming permit the MM57140 to perform a large variety of customer-specified computations and control functions.

### features

- 25  $\mu$ s micro-instruction cycle time (typ)
- 630 micro-instruction ROM (8-bit instruction set)
- 220-bit RAM (55 digits)
- Four data or control inputs can provide keyboard scanning, or 4-bit binary inputs
- Three inputs directly accessible by the ROM (IN1, IN2, S<sub>g</sub>/IN3) are available
- Internal power-on clear with mask programmable external override (IN1)
- ROM programmable latched digit outputs 1 of 9 multiplexing (D1-D9), or Binary (D1-D4), and 1 of 5 multiplexing (D5-D9)
- Mask programmable latched segment outputs, 7-segment or 4-bit binary
- Decimal point latched segment output
- General purpose latch output independent of segments
- Internal, or external oscillator
- Single power supply operation
- Direct segment drive of LED's
- Direct digit drive of LED's and TTL

### block and connection diagrams

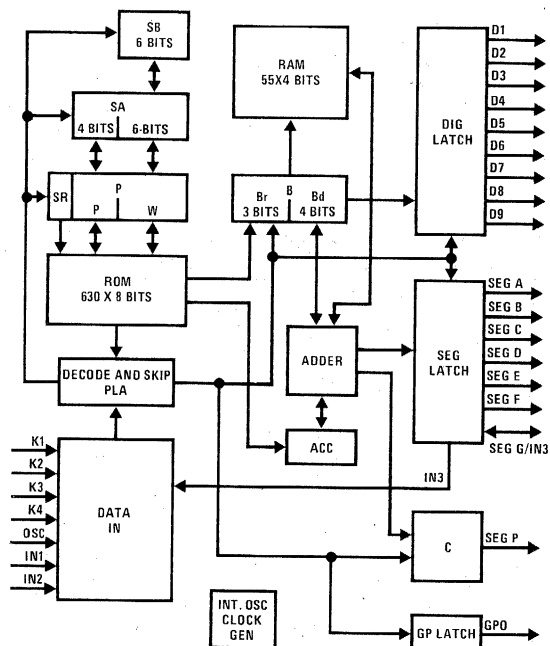
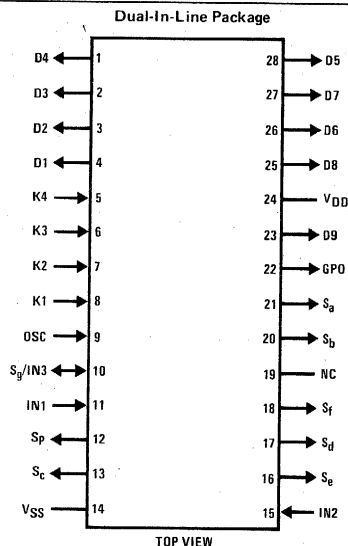


FIGURE 1. MM57140 Block Diagram



Order Number MM57140N  
See Package 23

#### Pin Descriptions

|                                |                                     |
|--------------------------------|-------------------------------------|
| K1-K4                          | Keyboard Inputs                     |
| IN1, IN2, IN3                  | General Purpose Inputs              |
| OSC                            | Programmable as External Oscillator |
| D1-D9                          | Digit Outputs                       |
| S <sub>a</sub> -S <sub>g</sub> | Segment Outputs                     |
| Sp                             | Decimal Point Segment Output        |
| GPO                            | General Purpose Output              |
| V <sub>DD</sub>                | -9 Volts                            |
| V <sub>SS</sub>                | 0 Volts                             |

## absolute maximum ratings

Volume at Any Pin Relative to  $V_{SS}$   $V_{SS} + 0.3V$  to  $V_{SS} - 12V$   
 (All Other Pins Connected to  $V_{SS}$ )  
 Ambient Operating Time  $0^{\circ}C$  to  $+70^{\circ}C$   
 Ambient Storage Time  $-65^{\circ}C$  to  $+150^{\circ}C$   
 Lead Temperature (Soldering, 10 seconds)  $300^{\circ}C$

## operating voltage range

 $6.5V \leq V_{SS} - V_{DD} \leq 9.5V$ 

## dc electrical characteristics

| PARAMETER                                  | CONDITIONS  | MIN                              | TYP | MAX                              | UNITS          |
|--|---|----------------------------------|-----|----------------------------------|----------------|
| $I_{DD}$ Operating Supply Current          | $V_{DD} = V_{SS} - 9.5V, T_A = 25^{\circ}C$   |                                  | 8   | 15                               | mA             |
| Keyboard Scan-Input Levels (K1-K4)         |   |                                  |     |                                  |                |
| $V_{IH}$ Logical High Level                | $V_{DD} = V_{SS} - 6.5V$<br>$V_{DD} = V_{SS} - 9.5V$  | $V_{SS} - 4.0$<br>$V_{SS} - 4.0$ |     | $V_{SS}$<br>$V_{SS}$             | V              |
| $V_{IL}$ Logical Low Level                 | $V_{DD} = V_{SS} - 6.5V, I_{IL} \leq -80 \mu A$<br>$V_{DD} = V_{SS} - 9.5V, I_{IL} \leq -80 \mu A$  | $V_{DD}$<br>$V_{DD}$             |     | $V_{SS} - 6.0$<br>$V_{SS} - 6.3$ | V              |
| Segment Output Current for Code = 40, 90   | $V_{OUT} = V_{SS} - 1.0V, V_{DD} = V_{SS} - 6.5V$<br>$V_{OUT} = V_{SS} - 5.0V, V_{DD} = V_{SS} - 8.0V$<br>$V_{OUT} = V_{SS} - 6.5V, V_{DD} = V_{SS} - 9.5V$ | $-2.5I$                          | -8  |                                  | mA<br>mA<br>mA |
| Segment Output Current for all Other Cases | See Performance Characteristics   |                                  |     |                                  |                |
| IN1, IN2, IN3 Input Current                | See Performance Characteristics   |                                  |     |                                  |                |
| Digit Output Current                       |   |                                  |     |                                  |                |
| $I_{OH}$ Logical High Level                | $V_{OUT} = V_{SS} - 2.0V, V_{DD} = V_{SS} - 6.5V$   | -300                             |     |                                  | $\mu A$        |
| $I_{OL}$ Logical Low Level                 | $V_{OUT} = V_{SS} - 3.0V$   | 20                               |     |                                  | mA             |
| GPO Output                                 |   |                                  |     |                                  |                |
| $V_{OH}$ Logical High Level                | $V_{DD} = V_{SS} - 6.5V$<br>$I_{OUT} = -550 \mu A$  | $V_{SS} - 1.0$                   |     |                                  | V              |
| $V_{OL}$ Logical Low Level                 | $I_{OUT} = 5 \mu A$   |                                  |     | $V_{DD} + 0.6$                   | V              |
| $R_{KB}$ Keyboard Resistance (K1-K4)       |   |                                  |     | 5                                | k $\Omega$     |

## ac electrical characteristics

| PARAMETER                                     | CONDITIONS                             | MIN | TYP | MAX | UNITS   |
|---|--|-----|-----|-----|---------|
| Ext. Osc. Frequency                           |  | 70  | 160 | 280 | kHz     |
| Ext. Osc. Duty Cycle                          | (Figure 2)                             | 40  | 50  | 60  | %       |
| Ext. Osc. Rise Time ( $T_r$ )                 |  |     |     | 1   | $\mu s$ |
| Ext. Osc. Fall Time ( $T_f$ )                 | (Figure 2)                             |     |     | 150 | ns      |
| GPO Transition Times                          | $V_{DD} = V_{SS} - 6.5V, C_L = 50 pF$  |     |     |     |         |
| High-to-Low                                   |  |     |     | 20  | $\mu s$ |
| Low-to-High                                   |  |     |     | 1   | $\mu s$ |
| Digit Output Transition Times                 | $V_{DD} = V_{SS} - 8.0V, C_L = 100 pF$ |     |     |     |         |
| High-to-Low                                   |  |     | 8   |     | $\mu s$ |
| Low-to-High                                   |  |     | 3   |     | $\mu s$ |
| Segment Output Transition Times               | $V_{DD} = V_{SS} - 8.0V, C_L = 50 pF$  |     |     |     |         |
| High-to-Low                                   |  |     |     |     |         |
| Elec. Option Code = 10, 60                    |  |     | 7.7 |     | $\mu s$ |
| 11, 61  |  |     | 4.2 |     | $\mu s$ |
| 20, 70  |  |     | 7.9 |     | $\mu s$ |
| 21, 71  |  |     | 4.4 |     | $\mu s$ |
| 22, 72  |  |     | 2.2 |     | $\mu s$ |
| 30, 80  |  |     | 8.7 |     | $\mu s$ |
| 31, 81  |  |     | 4.8 |     | $\mu s$ |
| 32, 82  |  |     | 2.4 |     | $\mu s$ |
| Low-to-High                                   |  |     |     |     |         |
| Elec. Option Code = 10, 60                    |  |     | 2.0 |     | $\mu s$ |
| 11, 61  |  |     | 2.1 |     | $\mu s$ |
| 20, 70  |  |     | 2.9 |     | $\mu s$ |
| 21, 71  |  |     | 3.1 |     | $\mu s$ |
| 22, 72  |  |     | 3.4 |     | $\mu s$ |
| 30, 80  |  |     | 5.6 |     | $\mu s$ |
| 31, 81  |  |     | 5.9 |     | $\mu s$ |
| 32, 82  |  |     | 6.3 |     | $\mu s$ |
| Keyboard Inputs                               | $C_L = 25 pF$                          |     |     |     |         |
| Low-to-High Transition Time After Key Release |  |     | 6   |     | $\mu s$ |



## functional description

A block diagram of the MM57140 is shown in *Figure 1*. The control ROM is organized as 630 8-bit instruction words. ROM addressing is by a 10-bit Program Counter included in register P, a subroutine flag (SR), a 10-bit save register (SA), and a 6-bit save register (SB). This structure permits a one micro-cycle subroutine instruction to call a subroutine which is restricted to one specific page by setting SR, and a general two micro-cycle subroutine to call a subroutine on any page. Two levels of subroutine can be achieved by calling a restricted subroutine from a general subroutine.

The RAM contains 220 bits, addressed as 55 4-bit words. Data is formatted as 5 registers containing 11 digits each. (See *Figure 7*.)

Segment outputs are decoded by the segment PLA and brought out as either 7 segments, or 4-bit binary. The decimal position is brought out on the SEG P line. The segment, decimal point, and digit output buffers are capable of driving LED displays directly. Digit timing information for driving displays and external keyboard scanning is encoded into a 4-bit code (D1–D4) with 1 of 5 digits (D5–D9), or as 1 of 9 digits (D1–D9).

Four K inputs may be used for direct data inputs, or as key inputs scanned by internally decoded digit output lines (D1–D9) for up to 36 key keyboards. There are two additional inputs (IN1, IN2) which are available to the ROM. A third input (IN3) sharing a common I/O pad with Segment G is also available to the ROM.

The MM57140 has an internal power-on clear which is initiated when the VDD supply has reached a nominal value of VSS–6V. The power-on clear is then extended for an additional 1.0 ms. An external power-on clear can be provided with a mask option, through the use of IN1, which overrides the internal clear when power supply turn-on time exceeds the 1.0 ms specification of the MM57140.

The digit outputs utilize non-refreshing bootstrap to achieve the high current sink capability (see dc electrical characteristics). Therefore, a software refresh must be used to toggle the digit outputs at least every 10 ms at room temperature and 1 ms at 50°C to continuously sink 20 mA. Otherwise, the depletion type load device will provide 10 µA sink current capability at VDD + 1.0V without toggling digit outputs.

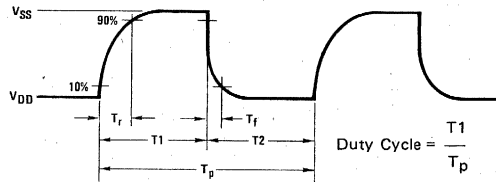


FIGURE 2. External Oscillator

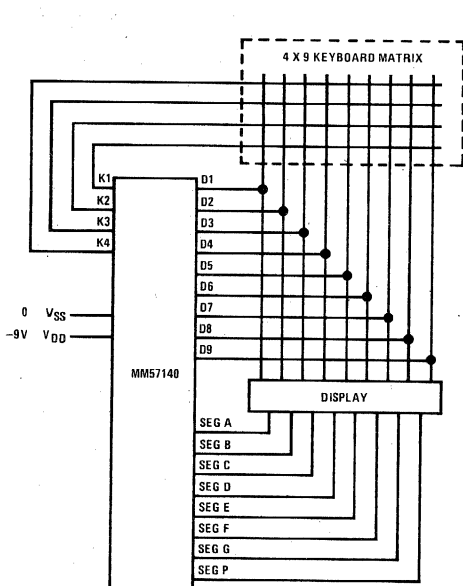


FIGURE 3. Low-Cost 9-Digit Calculator Using MM57140

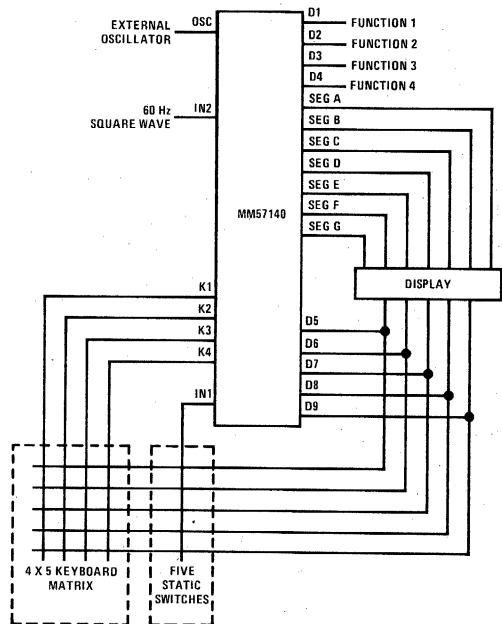


FIGURE 4. Clock and 4-Function Timer

functional description (Continued)

APPLICATIONS

The ROM, RAM, architecture of the MM57140 enables it to be used in a wide variety of control applications. Flexibility is achieved on the input and output line through the use of various mask options. Figure 5 and Figure 6 illustrate the digit and segment options on the MM57140.

A low-cost calculator scheme, (Figure 3), takes advantage of a 1 of 9 decode of the digit lines to scan a keyboard and provide timing signals for a 9-digit display. The segments are decoded as 7-segment outputs. Both segment and digit outputs drive calculator type LED displays directly.

Figure 4 suggests a circuit which permits the MM57140 to function as a clock with four presettable and resettable function outputs by using an alternate digit option. This clock provides time keyboard setting of digit on and off times for each of the four functions. Other applications requiring input, output as described in Figures 5 and 6 may be provided by the MM57140 when ROM and RAM capacity coincide.

See Mask Programmable Options for the details of the options.

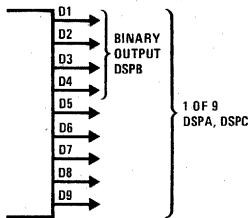


FIGURE 5. Digit Options

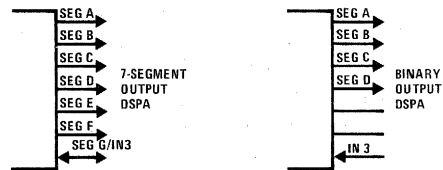


FIGURE 6. Segment Options

|       |      | B765  |       |       |       |     |  |    |
|-------|------|-------|-------|-------|-------|-----|--|----|
|       |      | r0    | r1    | r2    | r3    | r4  |  |    |
| B4321 |      | 000   | 001   | 010   | 011   | 1XX |  |    |
| d15   | 1111 | 0, 15 | 1, 15 | 2, 15 | 3, 15 |     |  |    |
| d14   | 1110 | 0, 14 | 1, 14 | 2, 14 | 3, 14 |     |  |    |
| d13   | 1101 | 0, 13 | 1, 13 | 2, 13 | 3, 13 |     |  | D9 |
| d12   | 1100 | 0, 12 | 1, 12 | 2, 12 | 3, 12 |     |  | D8 |
| d11   | 1011 |       |       |       |       |     |  | D7 |
| d10   | 1010 |       |       |       |       |     |  | D6 |
| d9    | 1001 |       |       |       |       |     |  | D5 |
| d8    | 1000 |       |       |       |       |     |  | D4 |
| d7    | 0111 | 0, 7  | 1, 7  | 2, 7  | 3, 7  |     |  | D3 |
| d6    | 0110 | 0, 6  | 1, 6  | 2, 6  | 3, 6  |     |  | D2 |
| d5    | 0101 | 0, 5  | 1, 5  | 2, 5  | 3, 5  |     |  | D1 |

FIGURE 7. RAM Map

The indicated RAM cells are those that can be directly addressed by a single ROM instruction [LB(r, d)]. The output decoded lines are shown on the right-hand side vs the B(d) value before as DSPC command.

mask programmable options

1) Oscillator Options

| DESCRIPTIONS  | CODE |
|---------------|------|
| Internal Osc. | 0    |
| External Osc. | 1    |

2) IN1 Options

| DESCRIPTIONS  |                                       | CODE | CURRENTS (NOTE 4) |
|---|---------------------------------------|------|-------------------|
| Ext. Power "ON" (Pull-Up to V <sub>SS</sub> ) (Notes 1 and 2) |                                       | 00   | Source            |
| Testable Input  | Floating Input (Note 2)               | 10   |                   |
|   | Pull-Up to V <sub>SS</sub> (Note 2)   | 11   | Source            |
|   | Pull-Down to V <sub>DD</sub> (Note 2) | 12   | Sink              |

## mask programmable options (Continued)

## 3) IN2 Options

| DESCRIPTIONS                   | CODE | CURRENTS (NOTE 4) |
|--------------------------------|------|-------------------|
| Floating Input (Note 2)        | 0    |                   |
| Pull-Up to $V_{SS}$ (Note 2)   | 1    | Source            |
| Pull-Down to $V_{DD}$ (Note 2) | 2    | Sink              |

## 4) IN3 Options

## (a) 7-Segment Outputs

| DESCRIPTIONS                   | *CONDITIONS   | CODE | CURRENTS (NOTE 4) |
|--------------------------------|---|------|-------------------|
| Floating Input (Note 3)        | If Seg. Output Elec. Option is 00, 40, 50 or 90                         | 00   |                   |
| Pull-Up to $V_{SS}$ (Note 3)   | Seg. Output Elec. Option must be 00, 40, 50 or 90                       | 01   | Source            |
| Pull-Down to $V_{DD}$ (Note 3) | If Seg. Output Elec. Option is X0, X1 or X2, where X = 1, 2, 3, 6, 7, 8 | 02   | Sink              |

\*See segment output elec. options

## (b) Segment as Binary Outputs

| DESCRIPTIONS                   | CODE | CURRENTS (NOTE 4) |
|--------------------------------|------|-------------------|
| Floating Input (Note 2)        | 10   |                   |
| Pull-Up to $V_{SS}$ (Note 2)   | 11   | Source            |
| Pull-Down to $V_{DD}$ (Note 2) | 12   | Sink              |

## 5) Digit Output Options

| DESCRIPTIONS   | CODE |
|--|------|
| *D1–D9 Multiplexed (1 of 9) by DSPC Only                                     | 00   |
| *D1–D9 Multiplexed (1 of 9) by DSPA or DSPC                                  | 01   |
| D1–D4 Binary Output by DSPB Only, D5–D9 Multiplexed (1 of 5) by DSPC Only    | 10   |
| D1–D4 Binary Output by DSPB Only, D5–D9 Multiplexed (1 of 5) by DSPA or DSPC | 11   |

\*D1–D4 may be turned "ON" by DSPB

**Note 1:** Internal power "ON" is still active but it will be overridden by external power "ON."

**Note 2:** State of the pin when the input is open.

**Note 3:** State of the pin when segment g output is turned "OFF."

**Note 4:** See Performance Characteristics for detail.

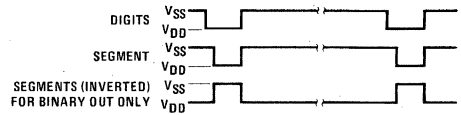
**Note 5:** Seg. output elec. option code 40, 90 are recommended for direct LED display. See dc electrical characteristics for current capability.

These nine options must be specified to program proper functions, inputs and outputs of the chip. Example. For on-chip osc. direct display calculator, the following options should be chosen:

- |  |   |
|--|---|
| 1) Osc option — 0                            | 6) Segment output func. option — 0        |
| 2) IN1 option — 00                           | 7) Segment output elec. option — 40       |
| 3) IN2 option — 2 (not used for calculator)  | 8) Decimal point output elec. option — 40 |
| 4) IN3 option — 00 (not used for calculator) | 9) Skip PLA option — 12                   |
| 5) Digit output option — 01                  |   |

## 6) Segment Output Func. Options

| DESCRIPTIONS                             | CODE |
|--|------|
| 7-Segment Outputs                        | 0    |
| Binary Output ( $S_A$ – $S_D$ )          | 1    |
| Binary Output ( $S_A$ – $S_D$ ) Inverted | 2    |



## 7) Segment Output Elec. Options

| *DESCRIPTIONS (NOTE 4) |                 | CODE              |                |
|------------------------|-----------------|-------------------|----------------|
| DRIVER SIZE (MIL)      | LOAD SIZE (MIL) | 7-SEGMENT OUTPUTS | BINARY OUTPUTS |
| 45/0.3                 |                 | 00                | 50             |
|                        | 0.3/0.4         | 10                | 60             |
| 10/0.3                 | 0.55/0.4        | 11                | 61             |
|                        |                 |                   |                |
| 20/0.3                 | 0.3/0.4         | 20                | 70             |
|                        | 0.55/0.4        | 21                | 71             |
|                        | 1.1/0.4         | 22                | 72             |
| 45/0.3                 | 0.3/0.4         | 30                | 80             |
|                        | 0.55/0.4        | 31                | 81             |
|                        | 1.1/0.4         | 32                | 82             |
| 45/0.3                 |                 | 40                | 90             |
|                        |                 | (Note 5)          | (Note 5)       |

\*Segment source and sink currents are dependent upon the size of driver and load devices, respectively. Code 00, 40, 50 and 90 don't have current sinking capability.

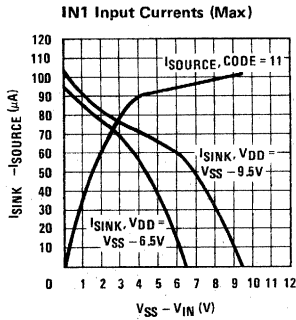
## 8) Decimal Point Output Elec. Options

Same as 7-segment output elec. options.

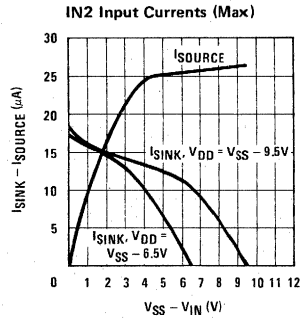
## 9) Skip PLA Options

| DESCRIPTIONS                        | CODE |
|-------------------------------------|------|
| EXC— Skips When $B_d = 0, 4, 8, 12$ | 3    |
| EXC— Skips When $B_d = 0, 8$        | 7    |
| EXC— Skips When $B_d = 0, 4$        | 11   |
| EXC— Skips When $B_d = 0, 1, 2, 3$  | 12   |
| EXC— Skips When $B_d = 13, 15$      | 16   |

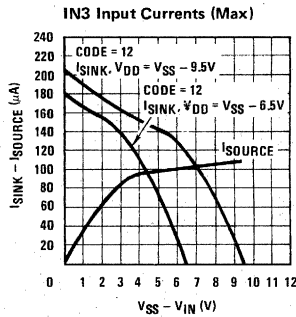
typical performance characteristics



For IN1 code = 00, see IN2 characteristics.

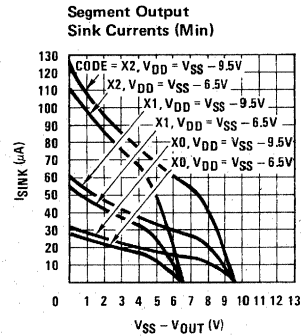


IN1 (code = 00) source currents are same as IN2 source currents.

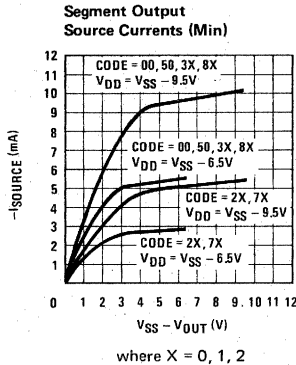


IN3 code = 02 is chosen and if segment output elec. option is

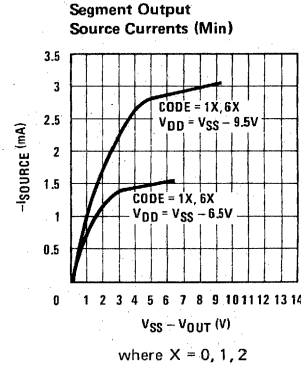
- Code = X0, IN3 sink current is 1 times of code = 12
- Code = X1, IN3 sink current is 1.84 times of code = 12
- Code = X2, IN3 sink current is 3.67 times of code = 12
- where X = 1, 2, 3, 6, 7, 8



where X = 1, 2, 3, 6, 7, 8



where X = 0, 1, 2

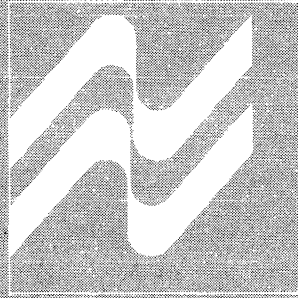


where X = 0, 1, 2

standard instructions "0" = low = V<sub>DD</sub>; "1" = high = V<sub>SS</sub>

|                           | MNEMONIC                  | DATA FLOW  | STATUS – SKIP IF             | DESCRIPTION  |
|---------------------------|---------------------------|--|------------------------------|--|
| Arithmetic Operations     | AD<br>ADD                 | $M + A \rightarrow A$<br>$C + M + A \rightarrow A$   |                              | Add M(B) to A, Store sum in A.<br>Add carry bit to M(B). Add sum to A, store sum in A.   |
|                           | SUB                       | $1 \rightarrow C$ Overflow<br>$M + \bar{A} + C \rightarrow A$<br>Overflow $\rightarrow C$  | Overflow                     | Subtract A from M<br>Overflow to C   |
|                           | COMP                      | $\bar{A} \rightarrow A$  | Overflow                     | One's complement of A to A   |
|                           | LAX (Y)                   | $Y \rightarrow A$  |                              | $Y \rightarrow A$ $Y = 0, \dots, 15$   |
|                           | ADX (Y)                   | $A + Y \rightarrow A$  | No overflow                  | Add constant (Y) to A. Store sum in A.<br>$Y = 1, 2, \dots, 15$ .  |
|                           | TAM                       |  | $A = M(B)$                   | Compare contents of A to M(B), skip if $A = M(B)$  |
|                           | SC                        | $1 \rightarrow C$  |                              | Set C register   |
|                           | RSC                       | $0 \rightarrow C$  |                              | Reset C register   |
|                           | TC                        |  | $C = 0$                      | Skip if $C = 0$  |
| Input/Output              | DSPA*                     | $A \rightarrow S_a - S_g, C \rightarrow S_p$   |                              | A to output latches, 7-segment decoded to $S_a - S_g$ . Segment decode is programmable. (7-segment or 4-bit binary). C to $S_p$ latch. |
|                           | DSPB                      | $B_4 - B_1 \rightarrow D_4 - D_1$  |                              | $B_4 - B_1$ to digit output latches $D_4 - D_1$  |
|                           | DSPC*                     | $B_4 - B_1 \rightarrow D_9 - D_1$  | Always Skips                 | $B_4 - B_1$ decoded to digit output latches, (1 of 9); $B_d = S \rightarrow 13$  |
|                           | RGPO                      | Reset Output   |                              | GPO is latched to V <sub>SS</sub>  |
|                           | SGPO                      | Set Output   |                              | GPO is latched to V <sub>DD</sub>  |
| READ                      | $K_4 - K_1 \rightarrow A$ |  | Read K inputs to A           |  |
| Input Test                | TIN1                      |  | IN1 = 1                      | Test IN1   |
|                           | TIN2                      |  | IN2 = 0                      | Test IN2   |
|                           | TKB                       |  | K = 0                        | Skip if any K input active.  |
|                           | TIN3                      |  | IN3 = 0                      | Test IN3 (SEG g)   |
| Control Functions         | GO                        | $I_6 - I_1 \rightarrow P$  |                              | Load next ROM instruction address.   |
|                           | CALL                      | If ( $\bar{L}G$ ) SET – SR<br>$I_6 - I_1 \rightarrow P$ ,<br>$SA_W \rightarrow SB_W, P+1 \rightarrow SA$<br>$SA_W \rightarrow P_W$ |                              | Call subroutine. If previous instruction was not LG, set SR.   |
|                           | RET                       | If ( $\bar{S}R$ ) $SA_P \rightarrow P_P$<br>$SA_W \leftrightarrow SB_W$  |                              | Pop up ROM address save registers.<br>0 SR   |
|                           | LG/GO                     | $I_4 - I_1 \rightarrow P_P$<br>$I_6 - I_1$ (Second Word) $\rightarrow P_W$   |                              | Two micro-cycle operation. Long GO TO, Load $P_P$ and $P_W$ .  |
|                           | LG/CALL                   | $SA \rightarrow SB, P+1 \rightarrow SA$<br>$I_6 - I_1$ (Second Word) $\rightarrow P_W$   |                              | Two micro-cycle operation. Long call. Load $P_P$ and $P_W$ . Push down address save registers.   |
| NOP                       |                           |  | No operation.                |  |
| Memory Digit Operations   | EXC (r)                   | $A \leftrightarrow M(B)$<br>$B_r \oplus r \rightarrow B_r$   |                              | Exchange data word at M(B) with A<br>EXCLUSIVE-OR $B_r$ with r. r = 0, 1, 2, 3   |
|                           | EXC –(r)                  | $A \leftrightarrow M(B)$<br>$B_r \oplus r \rightarrow B_r, B_d - 1 \rightarrow B_d$  | $B_d \rightarrow 3, 2, 1, 0$ | Exchange and decrement B<br>EXCLUSIVE-OR $B_r$ with r. r = 0, 1, 2, 3  |
|                           | EXC +(r)                  | $A \leftrightarrow M(B)$<br>$B_r \oplus r \rightarrow B_r, B_d + 1 \rightarrow B_d$  | $B_d \rightarrow 13$         | Exchange and increment $B_d$<br>EXCLUSIVE-OR $B_r$ with r. r = 0, 1, 2, 3  |
|                           | MTA (r)                   | $M(B) \rightarrow A$<br>$B_r \oplus r \rightarrow B_r$   |                              | Load accumulator with data word M(B)<br>EXCLUSIVE-OR $B_r$ with r. r = 0, 1, 2, 3  |
| Memory Bit Operations     | TM (Z)                    |  | $M(B, Z) = 0$                | Test bit Z of M(B), skip if zero<br>$Z = 1, 2, 4, 8$   |
| Memory Address Operations | LB (r,d)                  | $r \rightarrow B_r, d \rightarrow B_d$   |                              | $r = 0, 1, 2, 3, d = 5, 6, 7, \text{ or } 12, 13, 14, 15$  |
|                           | ATB                       | $A \rightarrow B_d$  |                              | Transfer contents of accumulator to $B_d$ register   |
|                           | BTA                       | $B_d \rightarrow A$  |                              | Transfer contents of $B_d$ register to accumulator   |
|                           | SB7                       | Set B7   |                              | Sets B7. 5th register is addressed independent of B5 and B6.   |
| RB7                       | Reset B7                  |  | B5 and B6 are unchanged      |  |

\*DSPA can be programmed to turn on DSPC.



**SECTION 10**  
**KEYBOARD ENCODER CIRCUITS**



# Keyboard Encoder Circuits

For additional application information, see AN-128 and AN-139 at the end of this section.

## MM5740 90-key keyboard encoder

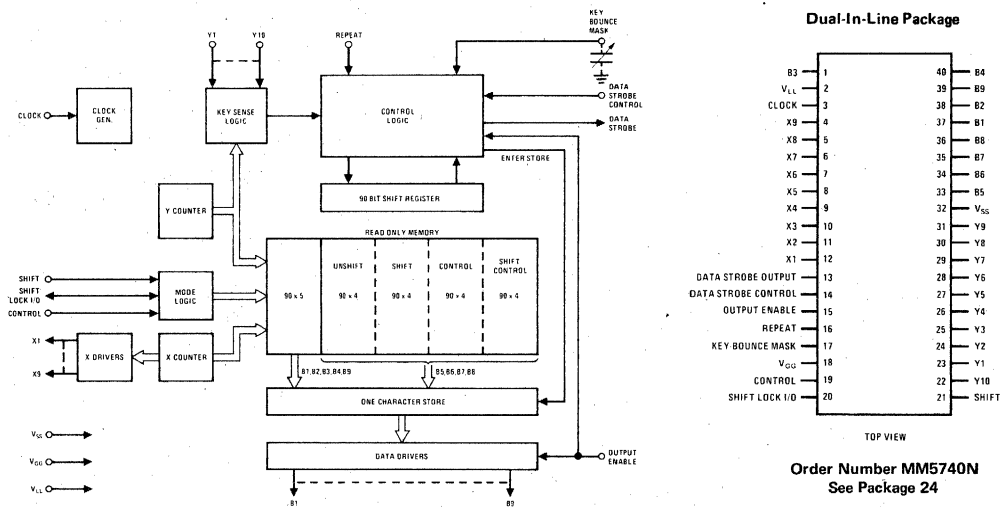
### general description

The MM5740 MOS/LSI keyboard encoder is a complete keyboard interface system capable of encoding 90 single pole single throw switch closures into a usable 9-bit code. It is organized as a bit paired system and is capable of N key or two key rollover. The MM5740 is fabricated with silicon gate technology and provides for direct TTL/DTL compatibility on Data and Strobe outputs without the use of any special interface components.

### features

- TRI-STATE® data outputs directly compatible with TTL/DTL or MOS logic
- Function inputs directly compatible with TTL/DTL logic
- Only one TTL level clock required
- N key/two key rollover (mask programmable)
- 90 key-quad mode capability
- One character data storage
- Repeat function (selectable)
- Shift lock with indicator capability
- Key bounce masking by single external capacitor
- Level or pulse data strobe output
- Data strobe pulse width control

### block and connection diagrams



## absolute maximum ratings

|  |                                     |
|--|-------------------------------------|
| Data and Clock Input Voltages and Supply Voltages with Respect to $V_{SS}$ | +0.3V to -20V                       |
| Power Dissipation  | 600 mW at $T_A = +25^\circ\text{C}$ |
| Operating Temperature  | -25°C to +70°C ambient              |
| Storage Temperature  | -65°C to +160°C                     |
| Lead Temperature (Soldering, 10 seconds)                                   | 300°C                               |

## electrical characteristics (Note 1,5)

| PARAMETER  | CONDITIONS   | MIN          | TYP            | MAX                    | UNITS                          |
|--|--|--------------|----------------|------------------------|--------------------------------|
| Clock Repetition Rate  |  | 10           |                | 200                    | kHz                            |
| Clock Pulse Width  | Rep. Rate = 200 kHz<br>Rep. Rate = 10 kHz  | 2.4<br>20    |                | 2.6<br>80              | $\mu\text{s}$<br>$\mu\text{s}$ |
| Clock Amplitude<br>Logic Level "0"<br>Logic Level "1"  |  | +0.4         |                | 3.25                   | V<br>V                         |
| Clock Transition Times<br>Risettime<br>Falltime  | Rep. Rate = 200 kHz<br>Rep. Rate = 200 kHz   |              |                | 100<br>100             | ns<br>ns                       |
| Clock Input Capacitance  |  |              | 5.0            |                        | pF                             |
| Data Input Levels, Y1 thru Y10<br>Logic Level "0"<br>Logic Level "1"<br>Logic Level "0"<br>Logic Level "1" |  | -4.5<br>+0.4 |                | $V_{SS} - 1.5$<br>3.25 | V<br>V<br>V<br>V               |
| Data Strobe Control<br>Logic Level "0"<br>Logic Level "1"  |  | +0.4         |                | +3.5                   | V<br>V                         |
| Data Output Levels, X1 thru X9<br>Logic Level "0"<br>Logic Level "1"                                       | When Connected to Y1 thru Y10<br>via Switch Matrix, ( $C_L = 75 \text{ pF}$ )                  | -4.5         |                | $V_{SS} - 0.75$        | V<br>V                         |
| B1 thru B9 and Data Strobe<br>Logic Level "0"<br>Logic Level "1"   | $I = 100\mu\text{A}$ (Note 2)<br>$I = 1.6 \text{ mA}$ (Note 2)                                 | +0.4         |                | $V_{SS} - 1.0$         | V<br>V                         |
| Shift Lock Voltage Open  | Before Closure   |              | $V_{GG} - 2.0$ |                        | V                              |
| Shift Lock Voltage Closed  | Switch Closed  |              | $V_{SS}$       |                        | V                              |
| Shift Lock Voltage Locked  | After Release, ( $I = 1.0 \text{ mA}$ )<br>(Figure 2)  |              | $V_{SS} - 5.0$ | $V_{SS} - 8.0$         | V                              |
| Transition Times<br>Data Strobe ( $T_{DS1}$ )<br>Data Strobe ( $T_{DS0}$ )                                 | $C_L = 100 \text{ pF}$ , $I = 1.6 \text{ mA}$<br>$C_L = 100 \text{ pF}$ , $I = 100\mu\text{A}$ |              |                | 2.5<br>1.0             | $\mu\text{s}$<br>$\mu\text{s}$ |
| Data Output Levels<br>( $T_{DO1}$ )<br>( $T_{DO0}$ )   | $C_L = 100 \text{ pF}$ , $I = 1.6 \text{ mA}$<br>$C_L = 100 \text{ pF}$ , $I = 100\mu\text{A}$ |              |                | 2.5<br>1.0             | $\mu\text{s}$<br>$\mu\text{s}$ |
| Output Enable Setup Time ( $T_{OES}$ )   |  | 2.5          |                |                        | $\mu\text{s}$                  |
| Output Enable Release Time ( $T_{OER}$ )   |  | 2.5          |                |                        | $\mu\text{s}$                  |
| Repeat Input Pulse Width ( $T_{RPW}$ )   | (Note 3)<br>$f_{\text{CLOCK}} = 10 \text{ kHz}$<br>$f_{\text{CLOCK}} = 200 \text{ kHz}$        | 10<br>0.5    |                |                        | ms<br>ms                       |
| Power Supply Current   | $I_{GG}, I_{SS}$   |              | 20             | 35                     | mA                             |

**Note 1:** These specifications apply for  $V_{SS} = +5.0 \text{ VDC} \pm 5\%$ ,  $V_{GG} = -12.0 \text{ VDC} \pm 5\%$ ,  $V_{LL} = \text{GND}$  and  $T_A = 0^\circ\text{C}$  to  $+70^\circ\text{C}$ .

**Note 2:** When outputs B1 thru B9 and Data Strobe are driving TTL/DTL  $V_{SS} - V_{LL} \leq 5.25\text{V}$ . When driving MOS,  $V_{SS} - V_{LL} \leq 10.0\text{V}$ .

**Note 3:**  $\text{Trpw min.} = 100 \times \frac{1}{f_{\text{clock}}}$

**Note 4:** If shift and control inputs are derived from a single pole, single throw switch closure to  $V_{SS}$ , a 100 OHM resistor returned to  $V_{LL}$  (GND) is required on these inputs.

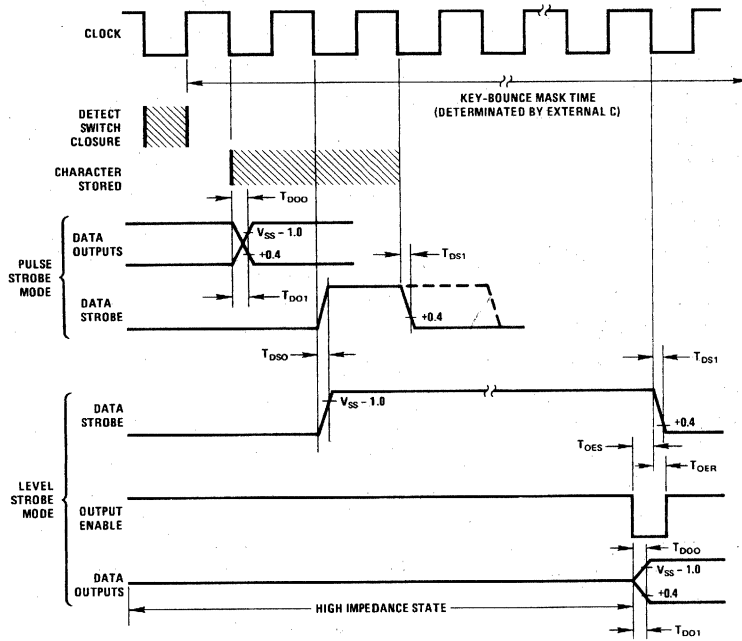
**Note 5:** The following inputs have internal pull-up resistors to  $V_{SS}$ : clock, output enable, repeat, shift, control.



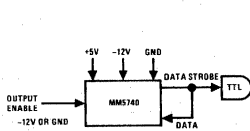
## description of pin functions

| NAME                | PIN NO.  | FUNCTION  |
|---------------------|----------|---|
| X1-X9               | 4-12     | These pins are chip outputs which are used to drive the key switch matrix. When activated (at the appropriate scan time) they are driven high.  |
| Y1-Y10              | 22-31    | Pins 22-31 are the Y sense inputs which are connected to the X drive lines via the key switch matrix. They are internally precharged to a low state and are pulled high upon switch closure.  |
| B1-B9               | 1, 33-40 | These are the data outputs which represent the code for each keyswitch. They are TRI-STATE outputs with direct TTL compatibility. When the output enable input (Pin 15) is high, these outputs are in the third state.  |
| Data Strobe Output  | 13       | The function of this pin is to indicate that valid data has been entered by the keyboard and is ready for acceptance. An active data strobe is indicated by a high level. The data strobe may be operated in the pulse or level mode as indicated by the timing diagram.  |
| Data Strobe Control | 14       | The basic purpose of this input is to provide data strobe output pulse width control. When connected to the data strobe output (Pin 13), the data strobe will exhibit a one bit wide pulse width. The pulse width may be varied by interposing an RC network between the data strobe output and the strobe control input. For level mode of operation the data strobe control input may be tied to $V_{SS}$ or to the data strobe output. |
| Output Enable       | 15       | This input serves to TRI-STATE the data output (B1-B9) lines. In addition, it controls the return of the data strobe to the idle condition (low state) which is needed in the level strobe mode of operation.   |
| Repeat              | 16       | The repeat input is designed to accept a repeat signal via the repeat key. One data strobe will be issued for each positive interval of the repeat signal. Thus, if a 10 Hz signal is applied to the repeat input via the repeat switch, a 10 character per second data strobe will be issued when a data key and the repeat key are held depressed.  |
| Key-Bounce Mask     | 17       | This pin is intended as a timing node to mask switch key-bounce. The mask time interval is generated by connecting a capacitor to this pin.   |
| Shift               | 21       | When this input is brought to a logic "0" ( $V_{SS}$ ) level, the encoder will assume the shifted character mode.   |
| Control             | 19       | A logic "0" places the encoder in the control character mode.   |
| Shift Lock I/O      | 20       | This pin is intended to serve as an input when the shift lock key is depressed. It places the encoder in the shift mode. Upon release of the key, the shift mode will be maintained and this pin will serve as an output to drive an indicator. This function is reset by depressing the shift key.   |
| Clock               | 3        | A TTL compatible clock signal is applied to this pin. A bit time is defined as the time from one negative going transition to the succeeding negative going transition of the clock.  |
| $V_{SS}$            | 32       | +5.0V supply  |
| $V_{LL}$            | 2        | Ground  |
| $V_{GG}$            | 18       | -12V supply   |

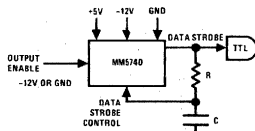
timing diagram



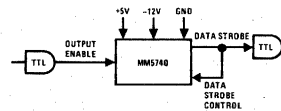
applications information



A) DATA STROBE PULSE WIDTH = ONE CLOCK PERIOD



B) WIDER DATA STROBE PULSE WIDTH CONTROLLED BY RC



Level Data Strobe Mode

Pulse Data Strobe Mode

key bounce capacitor values

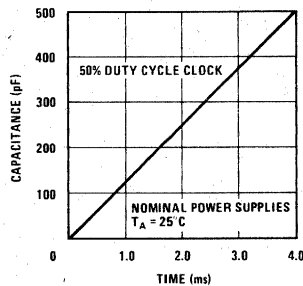


FIGURE 1. Key-Bounce Mask Time

## application

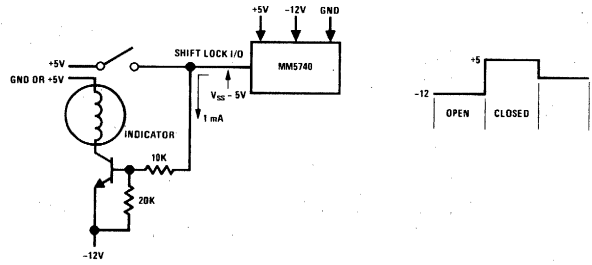
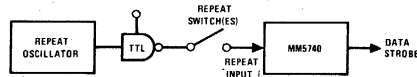
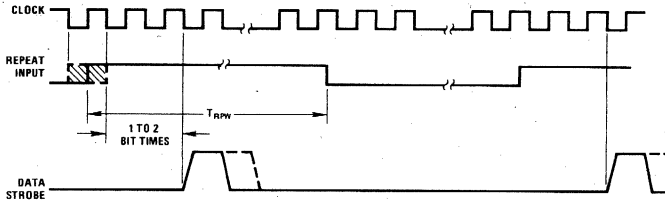


FIGURE 2. Shift Logic I/O Interface

## repeat switch function



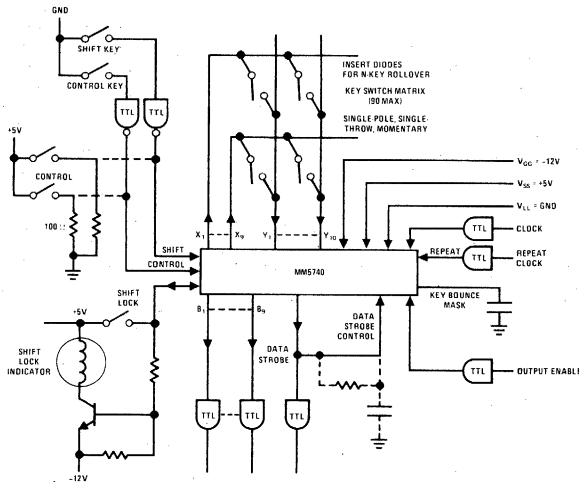
Repeat Switch Connections



**Note:** Both Repeat Switch and a Data Key must be depressed to enable repeat function. For N-Key Rollover, the data outputs will represent the current valid data key (N Key Roll during Repeat).

## Repeat Function

## typical applications



### CODE ASSIGNMENT CHART

Customer: \_\_\_\_\_

Date: \_\_\_\_\_

| MATRIX ADDRESS |    | COMMON         |                |                |                |                | UNSHIFT        |                |                |                | SHIFT          |                |                |                | CONTROL        |                |                |                | SHIFT CONTROL  |                |                |                | CHARACTER |   |   |    |
|----------------|----|----------------|----------------|----------------|----------------|----------------|----------------|----------------|----------------|----------------|----------------|----------------|----------------|----------------|----------------|----------------|----------------|----------------|----------------|----------------|----------------|----------------|-----------|---|---|----|
| X              | Y  | B <sub>1</sub> | B <sub>2</sub> | B <sub>3</sub> | B <sub>4</sub> | B <sub>9</sub> | B <sub>5</sub> | B <sub>6</sub> | B <sub>7</sub> | B <sub>8</sub> | B <sub>5</sub> | B <sub>6</sub> | B <sub>7</sub> | B <sub>8</sub> | B <sub>5</sub> | B <sub>6</sub> | B <sub>7</sub> | B <sub>8</sub> | B <sub>5</sub> | B <sub>6</sub> | B <sub>7</sub> | B <sub>8</sub> | US        | S | C | SC |
| (Note 3)       | 1  |                |                |                |                |                |                |                |                |                |                |                |                |                |                |                |                |                |                |                |                |                |           |   |   |    |
|                | 2  |                |                |                |                |                |                |                |                |                |                |                |                |                |                |                |                |                |                |                |                |                |           |   |   |    |
|                | 3  |                |                |                |                |                |                |                |                |                |                |                |                |                |                |                |                |                |                |                |                |                |           |   |   |    |
|                | 4  |                |                |                |                |                |                |                |                |                |                |                |                |                |                |                |                |                |                |                |                |                |           |   |   |    |
|                | 5  |                |                |                |                |                |                |                |                |                |                |                |                |                |                |                |                |                |                |                |                |                |           |   |   |    |
|                | 6  |                |                |                |                |                |                |                |                |                |                |                |                |                |                |                |                |                |                |                |                |                |           |   |   |    |
|                | 7  |                |                |                |                |                |                |                |                |                |                |                |                |                |                |                |                |                |                |                |                |                |           |   |   |    |
|                | 8  |                |                |                |                |                |                |                |                |                |                |                |                |                |                |                |                |                |                |                |                |                |           |   |   |    |
|                | 9  |                |                |                |                |                |                |                |                |                |                |                |                |                |                |                |                |                |                |                |                |                |           |   |   |    |
|                | 10 |                |                |                |                |                |                |                |                |                |                |                |                |                |                |                |                |                |                |                |                |                |           |   |   |    |
|                | 1  |                |                |                |                |                |                |                |                |                |                |                |                |                |                |                |                |                |                |                |                |                |           |   |   |    |
|                | 2  |                |                |                |                |                |                |                |                |                |                |                |                |                |                |                |                |                |                |                |                |                |           |   |   |    |
|                | 3  |                |                |                |                |                |                |                |                |                |                |                |                |                |                |                |                |                |                |                |                |                |           |   |   |    |
|                | 4  |                |                |                |                |                |                |                |                |                |                |                |                |                |                |                |                |                |                |                |                |                |           |   |   |    |
|                | 5  |                |                |                |                |                |                |                |                |                |                |                |                |                |                |                |                |                |                |                |                |                |           |   |   |    |
|                | 6  |                |                |                |                |                |                |                |                |                |                |                |                |                |                |                |                |                |                |                |                |                |           |   |   |    |
|                | 7  |                |                |                |                |                |                |                |                |                |                |                |                |                |                |                |                |                |                |                |                |                |           |   |   |    |
|                | 8  |                |                |                |                |                |                |                |                |                |                |                |                |                |                |                |                |                |                |                |                |                |           |   |   |    |
|                | 9  |                |                |                |                |                |                |                |                |                |                |                |                |                |                |                |                |                |                |                |                |                |           |   |   |    |
|                | 10 |                |                |                |                |                |                |                |                |                |                |                |                |                |                |                |                |                |                |                |                |                |           |   |   |    |

- N-Key Rollover
  - 2 Key Rollover
- Page:  of 3 (Note 1)
- Note: Use B8 if parity bit is desired

**Note 1:** 3 code assignment charts are required for each keyboard encoder pattern. Fill in a "1" or "0" in each output box (B<sub>1</sub> thru B<sub>9</sub>). Indicate page number.

**Note 2:** The matrix is 9 "X" locations by 10 "Y" locations.

**Note 3:** Write in 10 one's, 10 two's, etc. in successive X address locations up to 9. This will fill 3 charts. The first page will have address matrix location 1,1; 1,2; 1,3... 1,10; 2,1; 2,2... 2,10; 3,1, etc. up to 3,10. Page 2 has 4,1 to 6,10. Page 3 has 7,1 to 9,10.

**Note 4:** A contact closure at the address matrix location will cause the appropriate bit pattern to appear at the output in negative true logic. V<sub>OH</sub> = "0"; V<sub>OL</sub> = "1."

**Note 5:** See application note AN-80 for coding example.

MM5740AAE, MM5740AAF CODE ASSIGNMENT CHARTS

| MATRIX ADDRESS |    | COMMON         |                |                |                | UNSHIFT        |                |                |                | SHIFT          |                |                |                | CONTROL        |                |                |                | SHIFT CONTROL  |                |                |                | CHARACTER |     |     |     |     |
|----------------|----|----------------|----------------|----------------|----------------|----------------|----------------|----------------|----------------|----------------|----------------|----------------|----------------|----------------|----------------|----------------|----------------|----------------|----------------|----------------|----------------|-----------|-----|-----|-----|-----|
| X              | Y  | B <sub>1</sub> | B <sub>2</sub> | B <sub>3</sub> | B <sub>4</sub> | B <sub>5</sub> | B <sub>6</sub> | B <sub>7</sub> | B <sub>8</sub> | B <sub>5</sub> | B <sub>6</sub> | B <sub>7</sub> | B <sub>8</sub> | B <sub>5</sub> | B <sub>6</sub> | B <sub>7</sub> | B <sub>8</sub> | B <sub>5</sub> | B <sub>6</sub> | B <sub>7</sub> | B <sub>8</sub> | US        | S   | C   | SC  |     |
| 1              | 1  | 0              | 0              | 0              | 1              | 0              | 1              | 1              | 0              | 1              | 1              | 1              | 0              | 1              | 1              | 1              | 0              | 1              | 1              | 1              | 0              | 1         | B   | 8   | 8   | 8   |
| 1              | 2  | 0              | 0              | 1              | 0              | 0              | 1              | 1              | 0              | 1              | 1              | 1              | 0              | 1              | 1              | 1              | 0              | 1              | 1              | 1              | 0              | 1         | 4   | 4   | 4   | 4   |
| 1              | 3  | 1              | 0              | 1              | 0              | 0              | 1              | 1              | 0              | 0              | 1              | 1              | 0              | 0              | 1              | 1              | 0              | 0              | 1              | 1              | 0              | 0         | 5   | 5   | 5   | 5   |
| 1              | 4  | 1              | 0              | 0              | 0              | 0              | 1              | 1              | 0              | 1              | 1              | 1              | 0              | 1              | 1              | 1              | 0              | 1              | 1              | 1              | 0              | 1         | 1   | 1   | 1   | 1   |
| 1              | 5  | 0              | 1              | 0              | 0              | 0              | 1              | 1              | 0              | 1              | 1              | 1              | 0              | 1              | 1              | 1              | 0              | 1              | 1              | 1              | 0              | 1         | 2   | 2   | 2   | 2   |
| 1              | 6  | 1              | 1              | 0              | 0              | 0              | 1              | 1              | 0              | 0              | 1              | 1              | 0              | 0              | 1              | 1              | 0              | 0              | 1              | 1              | 0              | 0         | 3   | 3   | 3   | 3   |
| 1              | 7  | 0              | 0              | 0              | 0              | 1              | 1              | 1              | 0              | 0              | 1              | 1              | 0              | 0              | 1              | 1              | 0              | 0              | 1              | 1              | 0              | 0         | 0   | 0   | 0   | 0   |
| 1              | 8  | 0              | 1              | 1              | 0              | 0              | 1              | 1              | 0              | 0              | 1              | 1              | 0              | 0              | 1              | 1              | 0              | 0              | 1              | 1              | 0              | 0         | 6   | 6   | 6   | 6   |
| 1              | 9  | 1              | 0              | 0              | 1              | 0              | 1              | 1              | 0              | 1              | 1              | 0              | 0              | 1              | 1              | 0              | 0              | 1              | 1              | 0              | 0              | 9         | 9   | 9   | 9   |     |
| 1              | 10 | 1              | 1              | 1              | 0              | 0              | 1              | 1              | 0              | 1              | 1              | 1              | 0              | 1              | 1              | 1              | 0              | 1              | 1              | 1              | 0              | 1         | 7   | 7   | 7   | 7   |
| 2              | 1  | 0              | 0              | 1              | 1              | 0              | 0              | 0              | 0              | 0              | 0              | 0              | 0              | 0              | 0              | 0              | 0              | 0              | 0              | 0              | 0              | 0         | FF  | FF  | FF  | FF  |
| 2              | 2  | 1              | 0              | 1              | 1              | 1              | 0              | 0              | 0              | 1              | 0              | 0              | 0              | 1              | 0              | 0              | 0              | 1              | 0              | 0              | 0              | 1         | CR  | CR  | CR  | CR  |
| 2              | 3  | 0              | 0              | 1              | 1              | 0              | 1              | 0              | 0              | 1              | 1              | 0              | 0              | 1              | 1              | 0              | 0              | 1              | 1              | 0              | 0              | 1         | FS  | FS  | FS  | FS  |
| 2              | 4  | 1              | 0              | 1              | 1              | 0              | 1              | 0              | 0              | 0              | 1              | 0              | 0              | 0              | 1              | 0              | 0              | 0              | 1              | 0              | 0              | 0         | GS  | GS  | GS  | GS  |
| 2              | 5  | 1              | 1              | 0              | 1              | 0              | 0              | 0              | 1              | 0              | 0              | 0              | 1              | 0              | 0              | 0              | 1              | 0              | 0              | 0              | 0              | 1         | VT  | VT  | VT  | VT  |
| 2              | 6  | 0              | 1              | 1              | 1              | 0              | 0              | 0              | 0              | 1              | 0              | 0              | 0              | 1              | 0              | 0              | 0              | 1              | 0              | 0              | 0              | 1         | SO  | SO  | SO  | SO  |
| 2              | 7  | 0              | 0              | 0              | 0              | 1              | 0              | 0              | 1              | 0              | 1              | 0              | 1              | 0              | 1              | 0              | 1              | 0              | 1              | 0              | 1              | 1         | SP  | SP  | SP  | SP  |
| 2              | 8  | 1              | 0              | 0              | 1              | 0              | 0              | 0              | 0              | 0              | 0              | 0              | 0              | 0              | 0              | 0              | 0              | 0              | 0              | 0              | 0              | 0         | HT  | HT  | HT  | HT  |
| 2              | 9  | 0              | 0              | 0              | 1              | 1              | 0              | 0              | 0              | 1              | 0              | 0              | 0              | 1              | 0              | 0              | 0              | 1              | 0              | 0              | 0              | 1         | BS  | BS  | BS  | BS  |
| 2              | 10 | 1              | 0              | 1              | 1              | 1              | 0              | 1              | 0              | 0              | 1              | 1              | 0              | 1              | 0              | 1              | 0              | 0              | 1              | 1              | 0              | 1         |     |     |     |     |
| 3              | 1  | 0              | 0              | 0              | 0              | 1              | 1              | 0              | 0              | 1              | 1              | 0              | 0              | 1              | 1              | 0              | 0              | 1              | 1              | 0              | 0              | 0         | 0   | 0   | 0   | 0   |
| 3              | 2  | 0              | 1              | 0              | 1              | 1              | 1              | 0              | 0              | 0              | 0              | 0              | 0              | 0              | 0              | 0              | 0              | 0              | 0              | 0              | 0              | 0         | LF  | LF  | LF  | LF  |
| 3              | 3  | 0              | 0              | 0              | 0              | 0              | 1              | 0              | 1              | 0              | 0              | 0              | 0              | 1              | 1              | 0              | 0              | 1              | 0              | 0              | 0              | 0         | P   | DEL | DLE | NUL |
| 3              | 4  | 1              | 1              | 1              | 1              | 1              | 1              | 1              | 1              | 1              | 1              | 1              | 1              | 1              | 1              | 1              | 1              | 1              | 1              | 1              | 1              | 1         | DEL | DEL | DEL | DEL |
| 3              | 5  | 1              | 1              | 0              | 1              | 0              | 1              | 0              | 1              | 0              | 1              | 0              | 1              | 0              | 1              | 0              | 1              | 0              | 1              | 0              | 1              | 0         |     |     |     |     |
| 3              | 6  | 0              | 1              | 1              | 1              | 1              | 0              | 1              | 0              | 0              | 0              | 1              | 0              | 0              | 0              | 1              | 0              | 0              | 0              | 1              | 0              | 0         |     |     |     |     |
| 3              | 7  | 1              | 1              | 1              | 1              | 0              | 0              | 1              | 0              | 1              | 1              | 1              | 0              | 0              | 0              | 1              | 0              | 1              | 1              | 1              | 0              | 0         |     |     |     |     |
| 3              | 8  | 0              | 0              | 0              | 0              | 0              | 1              | 0              | 1              | 0              | 1              | 0              | 1              | 0              | 1              | 0              | 0              | 1              | 1              | 0              | 0              | 1         | P   | P   | DLE | DLE |
| 3              | 9  | 1              | 1              | 1              | 1              | 0              | 0              | 0              | 1              | 1              | 0              | 0              | 1              | 1              | 0              | 0              | 0              | 0              | 0              | 0              | 0              | 0         | 0   | 0   | SI  | SI  |
| 3              | 10 | 0              | 1              | 0              | 1              | 1              | 1              | 1              | 0              | 0              | 0              | 1              | 0              | 1              | 1              | 1              | 0              | 0              | 0              | 1              | 0              | 1         |     |     |     |     |

| MATRIX ADDRESS |    | COMMON         |                |                |                | UNSHIFT        |                |                |                | SHIFT          |                |                |                | CONTROL        |                |                |                | SHIFT CONTROL  |                |                |                | CHARACTER |     |     |     |     |
|----------------|----|----------------|----------------|----------------|----------------|----------------|----------------|----------------|----------------|----------------|----------------|----------------|----------------|----------------|----------------|----------------|----------------|----------------|----------------|----------------|----------------|-----------|-----|-----|-----|-----|
| X              | Y  | B <sub>1</sub> | B <sub>2</sub> | B <sub>3</sub> | B <sub>4</sub> | B <sub>5</sub> | B <sub>6</sub> | B <sub>7</sub> | B <sub>8</sub> | B <sub>5</sub> | B <sub>6</sub> | B <sub>7</sub> | B <sub>8</sub> | B <sub>5</sub> | B <sub>6</sub> | B <sub>7</sub> | B <sub>8</sub> | B <sub>5</sub> | B <sub>6</sub> | B <sub>7</sub> | B <sub>8</sub> | US        | S   | C   | SC  |     |
| 4              | 1  | 1              | 0              | 0              | 1              | 0              | 1              | 1              | 0              | 0              | 1              | 0              | 1              | 1              | 1              | 0              | 0              | 0              | 1              | 0              | 1              | 9         | 9   | 9   | 9   |     |
| 4              | 2  | 1              | 0              | 0              | 1              | 0              | 0              | 1              | 1              | 0              | 0              | 1              | 1              | 0              | 0              | 0              | 0              | 0              | 0              | 0              | 0              | 0         | 1   | HT  | HT  | HT  |
| 4              | 3  | 1              | 1              | 1              | 1              | 1              | 0              | 0              | 1              | 1              | 1              | 0              | 1              | 0              | 0              | 0              | 0              | 0              | 1              | 0              | 0              | 1         | 0   |     | SI  | US  |
| 4              | 4  | 1              | 1              | 0              | 1              | 0              | 0              | 1              | 0              | 1              | 0              | 1              | 1              | 0              | 0              | 0              | 1              | 1              | 0              | 0              | 0              | 0         | K   | VT  | ESC | ESC |
| 4              | 5  | 0              | 0              | 1              | 1              | 0              | 0              | 0              | 1              | 1              | 0              | 1              | 0              | 0              | 0              | 0              | 0              | 1              | 0              | 0              | 0              | 1         | L   | FF  | FS  | FS  |
| 4              | 6  | 0              | 0              | 1              | 1              | 0              | 0              | 1              | 0              | 1              | 1              | 1              | 0              | 0              | 1              | 1              | 1              | 0              | 0              | 1              | 1              | 0         | 0   |     |     |     |
| 4              | 7  | 0              | 1              | 1              | 1              | 1              | 0              | 1              | 0              | 0              | 1              | 1              | 0              | 1              | 0              | 1              | 0              | 0              | 1              | 1              | 0              | 1         |     |     |     |     |
| 4              | 8  | 0              | 0              | 1              | 1              | 0              | 0              | 1              | 1              | 0              | 0              | 1              | 1              | 0              | 0              | 0              | 0              | 0              | 0              | 0              | 0              | 0         | L   | L   | FF  | FF  |
| 4              | 9  | 1              | 1              | 0              | 1              | 0              | 0              | 1              | 0              | 0              | 1              | 0              | 0              | 0              | 1              | 0              | 0              | 0              | 1              | 0              | 0              | 1         | K   | K   | VT  | VT  |
| 4              | 10 | 0              | 0              | 0              | 1              | 0              | 1              | 1              | 0              | 0              | 1              | 0              | 0              | 1              | 1              | 0              | 1              | 0              | 1              | 0              | 0              | 0         | 8   | 8   | 8   | 8   |
| 5              | 1  | 0              | 1              | 1              | 0              | 0              | 1              | 1              | 0              | 0              | 0              | 1              | 0              | 1              | 1              | 1              | 0              | 0              | 0              | 1              | 0              | 1         | G   | &   | &   | &   |
| 5              | 2  | 1              | 0              | 1              | 0              | 0              | 1              | 0              | 1              | 0              | 1              | 0              | 1              | 0              | 1              | 0              | 0              | 1              | 1              | 0              | 0              | 1         | U   | U   | NAK | NAK |
| 5              | 3  | 1              | 0              | 0              | 1              | 0              | 1              | 0              | 1              | 0              | 1              | 0              | 1              | 0              | 1              | 0              | 0              | 1              | 1              | 0              | 0              | 1         | Y   | Y   | EM  | EM  |
| 5              | 4  | 0              | 1              | 0              | 1              | 0              | 0              | 1              | 1              | 0              | 0              | 1              | 1              | 0              | 0              | 0              | 0              | 0              | 0              | 0              | 0              | 0         | J   | J   | LF  | LF  |
| 5              | 5  | 0              | 0              | 0              | 1              | 0              | 0              | 0              | 1              | 0              | 0              | 1              | 0              | 0              | 0              | 0              | 0              | 1              | 0              | 0              | 0              | 1         | H   | H   | BS  | BS  |
| 5              | 6  | 1              | 0              | 1              | 1              | 0              | 0              | 1              | 0              | 1              | 0              | 1              | 1              | 0              | 0              | 0              | 1              | 1              | 0              | 0              | 0              | M         | J   | CR  | GS  |     |
| 5              | 7  | 0              | 1              | 1              | 1              | 0              | 0              | 1              | 0              | 1              | 0              | 1              | 1              | 0              | 0              | 0              | 1              | 1              | 0              | 0              | 0              | N         | SO  | RS  | RS  |     |
| 5              | 8  | 1              | 0              | 1              | 1              | 0              | 0              | 0              | 1              | 0              | 0              | 1              | 0              | 0              | 0              | 1              | 0              | 0              | 0              | 1              | 0              | 0         | M   | M   | CR  | CR  |
| 5              | 9  | 0              | 1              | 1              | 1              | 0              | 0              | 0              | 1              | 0              | 0              | 1              | 0              | 0              | 0              | 0              | 1              | 0              | 0              | 0              | 1              | N         | N   | SO  | SO  |     |
| 5              | 10 | 1              | 1              | 1              | 0              | 0              | 1              | 1              | 0              | 0              | 1              | 0              | 1              | 0              | 1              | 0              | 1              | 0              | 1              | 0              | 0              | 7         | 7   |     |     |     |
| 6              | 1  | 1              | 0              | 1              | 0              | 0              | 1              | 1              | 0              | 0              | 1              | 0              | 1              | 1              | 1              | 0              | 0              | 0              | 1              | 0              | 1              | 5         | %   | 5   | 5   |     |
| 6              | 2  | 0              | 1              | 0              | 0              | 0              | 1              | 0              | 1              | 1              | 1              | 0              | 1              | 1              | 0              | 0              | 0              | 1              | 0              | 0              | 0              | R         | R   | DC2 | DC2 |     |
| 6              | 3  | 0              | 0              | 1              | 0              | 0              | 1              | 0              | 1              | 1              | 0              | 1              | 1              | 0              | 0              | 0              | 0              | 1              | 0              | 0              | 0              | T         | T   | DC4 | DC4 |     |
| 6              | 4  | 0              | 1              | 1              | 0              | 0              | 0              | 1              | 1              | 0              | 0              | 1              | 1              | 0              | 0              | 0              | 0              | 0              | 0              | 0              | 0              | F         | F   | ACK | ACK |     |
| 6              | 5  | 1              | 1              | 0              | 0              | 0              | 1              | 0              | 0              | 1              | 0              | 0              | 1              | 0              | 0              | 0              | 1              | 0              | 0              | 0              | 1              | G         | G   | BEL | BEL |     |
| 6              | 6  | 0              | 1              | 1              | 0              | 0              | 1              | 0              | 1              | 0              | 1              | 0              | 1              | 0              | 0              | 0              | 1              | 0              | 0              | 0              | 1              | V         | V   | SYN | SYN |     |
| 6              | 7  | 0              | 1              | 0              | 0              | 0              | 0              | 1              | 0              | 0              | 1              | 0              | 0              | 0              | 0              | 0              | 1              | 0              | 0              | 0              | 1              | B         | B   | STX | STX |     |
| 6              | 8  | 0              | 0              | 0              | 1              | 0              | 1              | 0              | 0              | 1              | 0              | 0              | 0              | 1              | 0              | 0              | 0              | 1              | 0              | 0              | 0              | CAN       | CAN | CAN | CAN |     |
| 6              | 9  | 1              | 0              | 0              | 1              | 0              | 0              | 1              | 1              | 0              | 0              | 1              | 1              | 0              | 0              | 1              | 1              | 0              | 0              | 1              | 1              | 0         | EM  | EM  | EM  | EM  |
| 6              | 10 | 0              | 0              | 1              | 0              | 0              | 1              | 1              | 0              | 1              | 0              | 1              | 0              | 1              | 0              | 1              | 0              | 1              | 0              | 0              | 0              | 4         | S   | 4   | S   |     |

Negative True Logic

B<sub>1</sub> - B<sub>7</sub> = ASCII Code

B<sub>8</sub> = Even parity (on B<sub>1</sub>, B<sub>2</sub>, B<sub>3</sub>, B<sub>4</sub>, B<sub>5</sub>, B<sub>6</sub>, B<sub>7</sub>, B<sub>8</sub>)

B<sub>9</sub> = Selective Repeat Bit

Note: Use B<sub>9</sub> if parity bit is desired.

MM5740AAE, MM5740AAF CODE ASSIGNMENT CHARTS (CONTINUED)

| MATRIX ADDRESS |    | COMMON         |                |                |                |                | UNSHIFT        |                |                |                | SHIFT          |                |                |                | CONTROL        |                |                |                | SHIFT CONTROL  |                |                |                | CHARACTER      |                |                |                |    |   |   |    |
|----------------|----|----------------|----------------|----------------|----------------|----------------|----------------|----------------|----------------|----------------|----------------|----------------|----------------|----------------|----------------|----------------|----------------|----------------|----------------|----------------|----------------|----------------|----------------|----------------|----------------|----------------|----|---|---|----|
| X              | Y  | B <sub>1</sub> | B <sub>2</sub> | B <sub>3</sub> | B <sub>4</sub> | B <sub>5</sub> | B <sub>6</sub> | B <sub>7</sub> | B <sub>8</sub> | B <sub>9</sub> | B <sub>5</sub> | B <sub>6</sub> | B <sub>7</sub> | B <sub>8</sub> | B <sub>5</sub> | B <sub>6</sub> | B <sub>7</sub> | B <sub>8</sub> | B <sub>5</sub> | B <sub>6</sub> | B <sub>7</sub> | B <sub>8</sub> | B <sub>5</sub> | B <sub>6</sub> | B <sub>7</sub> | B <sub>8</sub> | US | S | C | SC |
| 7              | 1  | 0              | 1              | 0              | 0              | 0              | 1              | 0              | 0              | 0              | 1              | 0              | 0              | 0              | 1              | 0              | 0              | 0              | 1              | 0              | 0              | 0              | DC2            | DC2            | DC2            | DC2            |    |   |   |    |
| 7              | 2  | 1              | 0              | 1              | 0              | 0              | 0              | 0              | 0              | 1              | 1              | 0              | 0              | 1              | 1              | 0              | 0              | 0              | 0              | 0              | 0              | 0              | E              | E              | ENG            | ENG            |    |   |   |    |
| 7              | 3  | 1              | 1              | 0              | 0              | 0              | 1              | 0              | 0              | 1              | 1              | 0              | 0              | 1              | 1              | 0              | 0              | 1              | 1              | 0              | 0              | 1              | DC3            | DC3            | DC3            | DC3            |    |   |   |    |
| 7              | 4  | 0              | 0              | 1              | 0              | 0              | 0              | 1              | 0              | 0              | 0              | 1              | 0              | 0              | 0              | 1              | 0              | 0              | 1              | 0              | 0              | 1              | D              | D              | EOT            | EOT            |    |   |   |    |
| 7              | 5  | 0              | 0              | 1              | 0              | 0              | 1              | 0              | 0              | 0              | 1              | 0              | 0              | 1              | 0              | 0              | 0              | 1              | 0              | 0              | 0              | DC4            | DC4            | DC4            | DC4            |                |    |   |   |    |
| 7              | 6  | 1              | 1              | 0              | 0              | 0              | 0              | 0              | 1              | 1              | 0              | 0              | 1              | 1              | 0              | 0              | 0              | 0              | 0              | 0              | 0              | C              | C              | ETX            | ETX            |                |    |   |   |    |
| 7              | 7  | 1              | 0              | 1              | 0              | 0              | 1              | 0              | 0              | 1              | 1              | 0              | 0              | 1              | 1              | 0              | 0              | 1              | 1              | 0              | 0              | NAK            | NAK            | NAK            | NAK            |                |    |   |   |    |
| 7              | 8  | 0              | 1              | 1              | 0              | 0              | 1              | 0              | 0              | 1              | 1              | 0              | 0              | 1              | 1              | 0              | 0              | 1              | 1              | 0              | 0              | 1              | SYN            | SYN            | SYN            | SYN            |    |   |   |    |
| 7              | 9  | 1              | 1              | 1              | 0              | 0              | 1              | 0              | 0              | 1              | 0              | 0              | 1              | 0              | 0              | 1              | 0              | 0              | 1              | 0              | 0              | ETB            | ETB            | ETB            | ETB            |                |    |   |   |    |
| 7              | 10 | 1              | 1              | 0              | 0              | 0              | 1              | 1              | 0              | 0              | 0              | 1              | 0              | 1              | 1              | 1              | 0              | 0              | 0              | 1              | 3              | 1              | 3              | #              | 3              | #              |    |   |   |    |
| 8              | 1  | 1              | 0              | 1              | 0              | 0              | 0              | 0              | 0              | 0              | 0              | 0              | 0              | 0              | 0              | 0              | 0              | 0              | 0              | 0              | 0              | 0              | ENO            | ENO            | ENO            | ENO            |    |   |   |    |
| 8              | 2  | 1              | 1              | 1              | 0              | 0              | 1              | 0              | 1              | 1              | 1              | 0              | 1              | 1              | 1              | 0              | 0              | 1              | 0              | 0              | 0              | W              | W              | ETB            | ETB            |                |    |   |   |    |
| 8              | 3  | 0              | 1              | 1              | 0              | 0              | 0              | 0              | 0              | 0              | 0              | 0              | 0              | 0              | 0              | 0              | 0              | 0              | 0              | 0              | 0              | ACK            | ACK            | ACK            | ACK            |                |    |   |   |    |
| 8              | 4  | 1              | 1              | 0              | 0              | 0              | 1              | 0              | 1              | 0              | 1              | 0              | 1              | 0              | 1              | 0              | 1              | 1              | 0              | 0              | 1              | S              | S              | DC3            | DC3            |                |    |   |   |    |
| 8              | 5  | 1              | 1              | 1              | 0              | 0              | 0              | 0              | 1              | 0              | 0              | 0              | 1              | 0              | 0              | 1              | 0              | 0              | 1              | 0              | 0              | BEL            | BEL            | BEL            | BEL            |                |    |   |   |    |
| 8              | 6  | 0              | 0              | 0              | 1              | 0              | 1              | 0              | 1              | 1              | 0              | 1              | 1              | 1              | 0              | 0              | 0              | 1              | 0              | 0              | 0              | X              | X              | CAN            | CAN            |                |    |   |   |    |
| 8              | 7  | 1              | 1              | 1              | 1              | 0              | 0              | 0              | 0              | 0              | 0              | 0              | 0              | 0              | 0              | 0              | 0              | 0              | 0              | 0              | 0              | SI             | SI             | SI             | SI             |                |    |   |   |    |
| 8              | 8  | 0              | 0              | 0              | 0              | 0              | 1              | 0              | 0              | 1              | 1              | 0              | 0              | 1              | 1              | 0              | 0              | 1              | 1              | 0              | 0              | 1              | DLE            | DLE            | DLE            | DLE            |    |   |   |    |
| 8              | 9  | 1              | 0              | 0              | 0              | 0              | 1              | 0              | 0              | 0              | 1              | 0              | 0              | 0              | 1              | 0              | 0              | 1              | 0              | 0              | 0              | DC1            | DC1            | DC1            | DC1            |                |    |   |   |    |
| 8              | 10 | 0              | 1              | 0              | 0              | 0              | 1              | 1              | 0              | 1              | 0              | 1              | 0              | 0              | 1              | 1              | 0              | 1              | 0              | 1              | 0              | 2              | "              | 2              | "              |                |    |   |   |    |
| 9              | 1  | 0              | 0              | 0              | 0              | 0              | 0              | 0              | 0              | 0              | 0              | 0              | 0              | 0              | 0              | 0              | 0              | 0              | 0              | 0              | 0              | NUL            | NUL            | NUL            | NUL            |                |    |   |   |    |
| 9              | 2  | 1              | 0              | 0              | 0              | 0              | 1              | 0              | 1              | 1              | 1              | 0              | 1              | 1              | 1              | 0              | 0              | 0              | 1              | 0              | 0              | 0              | O              | O              | DC1            | DC1            |    |   |   |    |
| 9              | 3  | 1              | 1              | 0              | 1              | 0              | 1              | 0              | 0              | 0              | 1              | 0              | 0              | 0              | 1              | 0              | 0              | 1              | 0              | 0              | 0              | ESC            | ESC            | ESC            | ESC            |                |    |   |   |    |
| 9              | 4  | 1              | 0              | 0              | 0              | 0              | 0              | 1              | 0              | 0              | 0              | 1              | 0              | 0              | 0              | 1              | 0              | 0              | 0              | 1              | 0              | A              | A              | SOH            | SOH            |                |    |   |   |    |
| 9              | 5  | 1              | 0              | 0              | 0              | 0              | 0              | 0              | 0              | 1              | 0              | 0              | 0              | 1              | 0              | 0              | 0              | 1              | 0              | 0              | 1              | SOH            | SOH            | SOH            | SOH            |                |    |   |   |    |
| 9              | 6  | 0              | 1              | 0              | 1              | 0              | 1              | 0              | 1              | 0              | 1              | 0              | 1              | 0              | 1              | 0              | 1              | 0              | 0              | 1              | 1              | Z              | Z              | SUB            | SUB            |                |    |   |   |    |
| 9              | 7  | 0              | 1              | 0              | 0              | 0              | 0              | 0              | 0              | 1              | 0              | 0              | 0              | 1              | 0              | 0              | 0              | 1              | 0              | 0              | 0              | 1              | STX            | STX            | STX            | STX            |    |   |   |    |
| 9              | 8  | 1              | 1              | 0              | 0              | 0              | 0              | 0              | 0              | 0              | 0              | 0              | 0              | 0              | 0              | 0              | 0              | 0              | 0              | 0              | 0              | ETX            | ETX            | ETX            | ETX            |                |    |   |   |    |
| 9              | 9  | 0              | 0              | 1              | 0              | 0              | 0              | 0              | 1              | 0              | 0              | 0              | 1              | 0              | 0              | 0              | 1              | 0              | 0              | 0              | 1              | EOT            | EOT            | EOT            | EOT            |                |    |   |   |    |
| 9              | 10 | 1              | 0              | 0              | 0              | 0              | 1              | 1              | 0              | 1              | 0              | 1              | 0              | 0              | 1              | 1              | 0              | 1              | 0              | 1              | 0              | 1              |                |                |                |                |    |   |   |    |

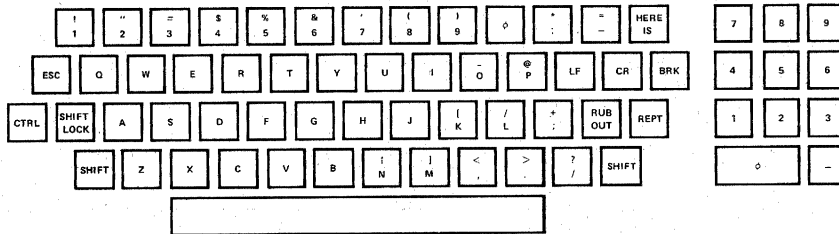
Negative True Logic

B<sub>1</sub> - B<sub>7</sub> = ASCII Code

B<sub>8</sub> = Even parity (on B<sub>1</sub>, B<sub>2</sub>, B<sub>3</sub>, B<sub>4</sub>, B<sub>5</sub>, B<sub>6</sub>, B<sub>7</sub>, B<sub>9</sub>)

B<sub>9</sub> = Selective Repeat Bit

Note: Use B<sub>9</sub> if parity bit is desired.



ASR

ASR 33

MM5740AAE (N-KEY ROLLOVER)

MM5740AAF (2-KEY ROLLOVER)

Typical Keyboard Arrangement



# Keyboard Encoder Circuits

## MM5745, MM5746 78-key keyboard encoder

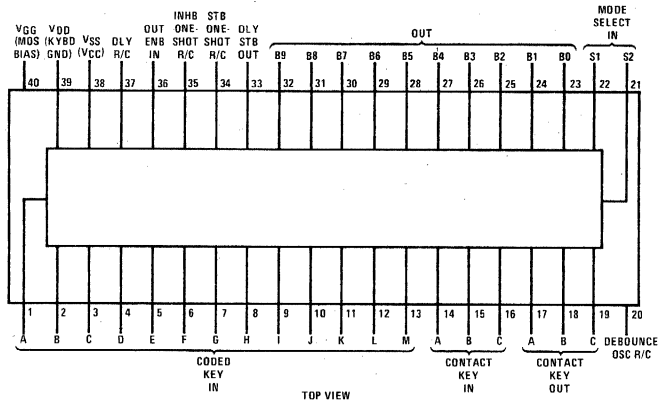
### general description

The MM5745, MM5746 MOS/LSI keyboard encoder is a complete keyboard interface system capable of encoding 78 double-pole single-throw switches (half-effect, capacitive, or contact) into a 10-bit code. Full quad-mode operation allows 4 independent 10-bit codes per switch. Debounce circuits for contact keys are provided for 3 function switches. The MM5745, MM5746 is fabricated with low threshold metal gate P-channel enhancement devices and ion-implanted resistors and provides for direct TTL/DTL compatibility on Data and Strobe outputs without the use of any special interface components.

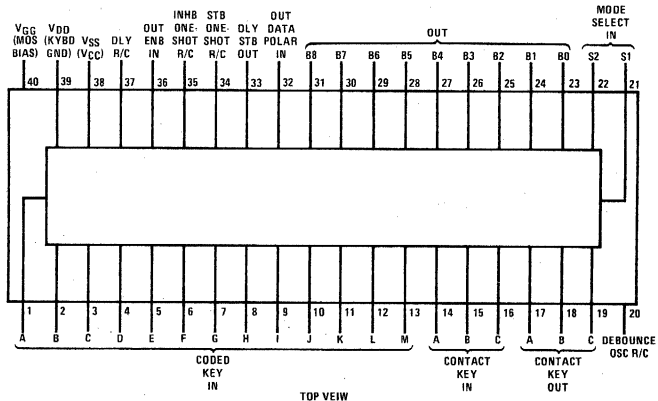
### features

- 78-key quad-mode capability
- N-key/2-key rollover
- 1 character data storage
- Level or pulse data strobe output
- Data strobe pulse width control
- Key bounce delay control
- Function key debounce circuits
- Data and Strobe outputs directly compatible with TTL/DTL or MOS logic

### connection diagrams (Dual-In-Line Packages)



Order Number MM5745N  
See Package 24



Order Number MM5746N  
See Package 24

**absolute maximum ratings**

|  |  |
|--|--|
| Voltage at Any Pin Except Outputs        | $V_{SS} + 0.3V$ to $V_{SS} - 25V$      |
| Voltage at Any Output Pin                | $V_{SS} + 0.3V$ to $V_{SS} - 20V$      |
| Power Dissipation                        | 700 mW at $T_A = 25^\circ C$           |
| Operating Temperature                    | $-25^\circ C$ to $+70^\circ C$ ambient |
| Storage Temperature                      | $-65^\circ C$ to $+160^\circ C$        |
| Lead Temperature (Soldering, 10 seconds) | $300^\circ C$                          |

**electrical characteristics** (Note 1)

| PARAMETER                                | CONDITIONS  | MIN   | TYP | MAX   | UNITS     |
|--|---|-------|-----|-------|-----------|
| $V_{IH}$ High Level Input Voltage        | With Respect to $V_{SS}$  |       |     | -1.5  | V         |
| $V_{IL}$ Low Level Input Voltage         | With Respect to $V_{DD}$  |       |     | 0.8   | V         |
| $V_{OH}$ High Level Output Voltage       | With Respect to $V_{SS}$  |       |     | -1.8  | V         |
| $V_{OL}$ Low Level Output Voltage        | With Respect to $V_{DD}$ , $I_{OL} = 1.6$ mA                            |       |     | 0.4   | V         |
| $I_{IL}$ Low Level Input Current (Logic) | $V_{SS} = 5.25V$ , $V_{IN} = 0.4V$ (Not Including MOS Inputs), (Note 2) |       |     | -1.6  | mA        |
| $t_r$ 10–90% Output Rise Time            | $C_L = 50$ pF   |       |     | 1     | $\mu s$   |
| $t_f$ 90–10% Output Fall Time            | $C_L = 50$ pF   |       |     | 1     | $\mu s$   |
| $t_d$ Delay Time Input to Output         | Delay Capacitor = 0, $R_L = 200\Omega$                                  |       |     | 20    | $\mu s$   |
| $t_s$ Delay from Strobe to Data Output   |   | 0.5   |     |       | $\mu s$   |
| $D_{td}$ Delay R/C Time Delay            | $\pm 25\%$ Variation Max per Given Set of R and C                       | 40    |     | 80    | $\mu s$   |
|  | R—Useful Range  | 200   |     | 680   | $k\Omega$ |
|  | C—Useful Range at Min R   | 0.001 |     | 0.002 | $\mu Fd$  |
| $I_{td}$ Inhibit One-Shot Time Delay     | $\pm 25\%$ Variation Max per Given Set of R and C                       | 1     |     | 30    | ms        |
|  | R—Useful Range  | 200   |     | 680   | $k\Omega$ |
|  | C—Useful Range at Min R   | 0.025 |     | 0.75  | $\mu Fd$  |
| $S_{td}$ Strobe One-Shot Time Delay      | $\pm 25\%$ Variation Max per Given Set of R and C Typ                   | 40    |     | 80    | $\mu s$   |
|  | R—Useful Range  | 200   |     | 680   | $k\Omega$ |
|  | C—Useful Range at Min R   | 0.001 |     | 0.002 | $\mu Fd$  |
| $B_{td}$ Debounce Oscillator             | $\pm 25\%$ Variation Max per Given Set of R and C                       | 1     |     | 7     | ms        |
|  | R—Useful Range  | 200   |     | 680   | $k\Omega$ |
|  | C—Useful Range at Min R   | 0.025 |     | 0.175 | $\mu Fd$  |
| $I_{SS}$ Supply Current                  | $V_{SS} = 5.25V$  |       |     | 100   | mA        |
| $I_{GG}$ Bias Current                    | $V_{GG} = -18V$   |       |     | 5     | mA        |

Note 1:  $V_{SS} = 5V \pm 5\%$ ,  $V_{DD} = Gnd$ ,  $V_{SS} = -12V$  to  $-18V$  and  $T_A = 0^\circ C$  to  $+70^\circ C$ .

Note 2: The following inputs have internal pull-up resistors to  $V_{SS}$ : Output Enable, Output Data Polarity.

**functional description**

A block diagram of the MM5745 and MM5746 keyboard encoders is shown in *Figure 1*. Connection diagrams for these devices are shown on the previous page. The following discussions are based on *Figure 1*.

**Coded Key Inputs**

Thirteen MOS type coded key inputs, designated A–M can be coded in an M of N format. These codes must be

specified with each reprogramming of the coding mask. A maximum of 78 input codes may be specified. Typically, coding takes the form of 2 out of 13 inputs.

**Contact Key Inputs**

Three MOS type contact key inputs designated A, B and C can be used to debounce contact type switches.



## functional description (Continued)

### Mode Select Inputs

Two mode inputs, designated S1 and S2, are used to select any 1 of the 4 output coding modes. The binary number selections to represent a given output code mode must be specified with each reprogramming of the coding mask.

### Output Data Polarity Input (MM5746 Only)

The Output Data Polarity Input, when switched from one state to the other, causes a reversal of the output data polarity. When open, the input is held high, logical "1", by an internal pull-up resistor, and the data comes through non-inverted from the output ROM.

### Output Enable Input

The Output Enable Input enables the output storage latches to accept new output data and allows an output strobe to be generated. When the input is open, an internal pull-up resistor holds the input high, logical "1", and enables the output. When held low, logical "0", the output and strobe are disabled.

### Debounce Oscillator R/C Input

The Debounce Oscillator R/C Input is a timing input that can eliminate closing or opening contact bounce durations of between 1 to 2 clock periods. Depending upon the length of bounce and R/C values chosen, the output will be delayed from the inputs from 1 to 14 ms. The resistor connects to V<sub>GG</sub> and the Capacitor connects to V<sub>SS</sub>.

### Strobe One-Shot R/C Input

The Strobe One-Shot R/C Input is a timing input used to adjust the width of the delayed output strobe. The strobe width has a  $\pm 25\%$  variation for a given set of R

and C. The pulse width range can be varied between 1  $\mu$ s and 10 ms. The resistor and capacitor timing elements are connected as stated for the Debounce Oscillator R/C input.

### Inhibit One-Shot R/C Input

The Inhibit One-Shot R/C Input is a timing input used to disable the Encoder Chip outputs for a period of time after new data has appeared at the outputs and a strobe issued. The inhibit time is necessary to allow the Coded Key inputs to settle out after a keyswitch is depressed. The time slot is adjustable from 1–10 ms  $\pm 25\%$ . The recovery time is less than 100  $\mu$ s. The resistor and capacitor timing elements are connected as stated for the Debounce Oscillator R/C Input.

### Delay R/C Input

The Delay R/C Input is a timing input used to determine that valid data is present at the Coded Key Inputs. Valid data must be present continuously for some period of time adjustable between 40 and 80  $\mu$ s  $\pm 25\%$  before the data is accepted as valid data. The resistor and capacitor timing elements are connected as stated for the Debounce Oscillator R/C Input.

### Contact Key Outputs

Three contact key outputs designated A–C provide bounce-free non-inverted outputs corresponding to their respective inputs.

### Data Outputs

Ten Data Output lines designated B0–B9 are provided. The specific output code related to a given input code and mode must be specified with each reprogramming of the coding mask.

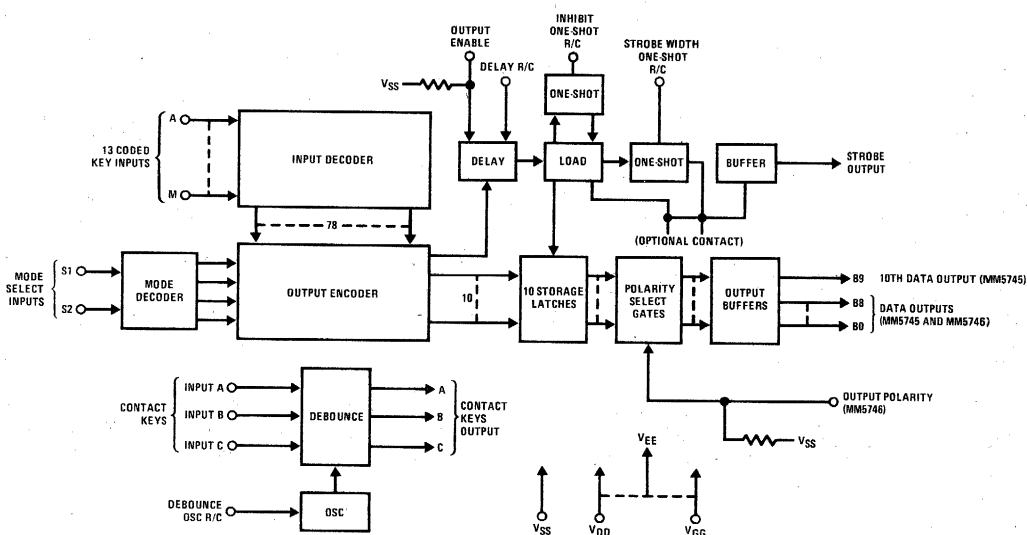


FIGURE 1

## functional description (Continued)

### Strobe Output

The Strobe Output is used to indicate that new data has just been placed on the Data Output lines.

### Data Transfer

Input data, typically in a 2 out of 13 format, is introduced by depressing a keyswitch. The data passes through the input buffers, input inverters, and is decoded into single line codes if the data is valid. There are a maximum of 78 single line codes and these are coded into 41-bit output words. The 41st bit is used to enable the delay R/C timer. Valid input data must be present continuously for typically 60  $\mu$ s before it is accepted as valid input data and the proper output codes and strobe are generated.

The status of the mode select inputs determines which of the 4 10-bit output codes are selected (first 40 bits). The mode select lines are programmable in binary format and therefore are decoded into single line codes. The output encode in reality has 82 input lines (78 input codes and 4 modes). When a valid input code is present and the mode is selected, the proper 10-bit word is steered through the Mode "OR" Gates and to the inputs of the storage latches. When the proper delay interval has elapsed, the load logic loads the new data into the storage latches.

Both polarities of the 10 data bits are fed to the Polarity Select Gates where the output Data Polarity Input selects the desired polarity output. The selected 10 data bits output the chip through the Output Buffers.

### Logic Sequence

The Logic Sequence is not initiated until the successful completion of the delay timing cycle. At the completion of the delay cycle, 3 things happen almost simultaneously. First, a load signal of approximately 2  $\mu$ s is fed to the storage latches to accept new data. Second, the Strobe Pulse, typically 60  $\mu$ s wide, is generated. This pulse will not go true until at least 1/2  $\mu$ s after the data is present at the outputs. Third, the inhibit timing cycle is initiated within 2  $\mu$ s after the load and strobe inputs are generated and locks out the load and strobe inputs for the duration of the inhibit timing cycle. This insures that only one strobe is generated and no data is changed during the inhibit cycle.

If the input data disappears less than 1/2  $\mu$ s after the completion of the delay cycle, it is possible that erroneous logic sequencing can take place. The symptoms

are new data, but no strobe or no new data, but a strobe is generated.

If the output enable input is held false, no logic sequencing can take place and the chip remains locked up with the existing data statically available at the outputs and no strobes can be generated.

A programming option is available wherein a level strobe can be specified instead of the delayed strobe as described above. In this option, the level strobe goes true at the end of the delay cycle as does the delayed strobe, but it remains true as long as a valid data input signal is present. It is not affected by the inhibit timing cycle. The level strobe responds to the data input lines and is inhibited only by the Output Enable going false.

### Debounce Circuits

The debounce circuits utilize a pulse train clock oscillator and shift registers. The input must remain in one state for 2 consecutive clock pulses before it will change the output to that state. The outputs follow the input, in that they are non-inverting.

### OPTIONS

The following options are customer specified. (For format information, see Programming Format section).

#### Input Code

The input code M out of N (typically 2 out of 13) must be specified for each reprogramming of the coding mask.

#### Mode Select

The Mode Select lines bit pattern must be specified for each mode for each reprogramming of the coding mask. Each mode must be specified whether used or not.

#### Output Code

The Output Code must be specified for each input code and mode as above.

#### Strobe

The Delayed Strobe is automatically selected unless the option for the level strobe is selected.

#### Input Resistors

Each of the 13 inputs and the 2 mode select inputs may have internal resistors (4.5 k $\Omega$   $\pm$ 30%) connected to V<sub>SS</sub>, V<sub>DD</sub> or left open.

## functional description (Continued)

## Programming Format

The MM5745 and MM5746 keyboard encoders are programmed using 4 types of punched data cards whose function and format are explained as follows:

## I. Shift Input (Mode Select) Cards

Mode select data is contained in a set of 4 cards which specify the ROM mode to be selected for each of the possible shift input combinations.

**SHIFT INPUT CARD FORMAT**  
(Columns not listed will contain no punches)

| Column | Possible Characters | Meaning   |
|--------|---------------------|---|
| 1-6    | "OPTION"            | Shift input—ROM mode assignment to be specified                   |
| 8      | Digits 1-4          | Particular shift input  |
| 10     | = or Blank (Note 5) | Equals, nothing punched   |
| 12     | Digits 0-3          | ROM mode:<br>0 = Mode 1<br>1 = Mode 2<br>2 = Mode 3<br>3 = Mode 4 |

## II. Device Option Cards

Device option data is contained in a set of 16 cards which specify level or delayed strobe output and establish positive, negative or floating input resistor connections.

**DEVICE OPTION CARD FORMAT**

| Column | Possible Characters | Meaning  |
|--------|---------------------|--|
| 1-6    | "OPTION"            | Device options to be specified   |
| 7, 8   | Digits 5-20         | Involved device inputs and outputs are respectively, A-M, S1, S2 and Delay/Level strobe output   |
| 10     | = or Blank (Note 5) | Equals, nothing punched  |
| 12     | Digits 0, 1 or 2    | For options 5-19:<br>0 = No connection<br>1 = Input resistor tied to V <sub>DD</sub><br>2 = Input resistor tied to V <sub>SS</sub><br>For option 20:<br>0 = Level strobe<br>1 = Delay strobe |

## III. Coding Data Cards

ROM coding data is contained in a set of 78 cards with 1 card for each ROM word.

**CODING DATA CARD FORMAT**

| Column | Possible Characters          | Meaning  |
|--------|------------------------------|--|
| 1      | Character A                  | Address character                                      |
| 2, 3   | Digits 00-77                 | ROM word identification (Note 1)                       |
| 5      | Digits 0, 1, 2 or 3 (Note 2) | Input A input code                                     |
| 17     |                              | Input M input code                                     |
| 20     | Digits 0 or 1                | IS1 enable gate code (Note 3)                          |
| 24     | Digits 0 or 1                | Output 9, mode 1 (Note 4)                              |
| 33     |                              | Output 0   |
| 36     | Digits 0 or 1                | Output 9, mode 2 (Note 4)                              |
| 45     |                              | Output 0   |
| 48     | Digits 0 or 1                | Output 9, mode 3 (Note 4)                              |
| 57     |                              | Output 0   |
| 60     | Digits 0 or 1                | Output 9, mode 4 (Note 4)                              |
| 69     |                              | Output 0   |
| 71, 72 | Digits 00-54                 | Decimal row sum (total of all 1's in a particular row) |

## IV. TB Cards

The total of all 1's in the individual columns of data established by the previous Coding Data Cards is stored on 54 TB cards. This allows a cross check of the data.

**TB CARD FORMAT**

| Columns | Possible Characters         | Meaning                            |
|---------|-----------------------------|------------------------------------|
| 1,2     | TB                          | TB card identification             |
| 3,4     | Digits 00-54                | Particular column of data totalled |
| 6       | = or Blank                  | Equals, nothing punched            |
| 9, 10   | Any value between 00 and 78 | Total of all 1's in that column    |

**Note 1:** Words 01 through 09 require leading zeros.

**Note 2:** A pattern of 0's and 1's describes the input codes. A "2" indicates that neither the original nor the inverted array lines have transistors associated with them, while a "3" means both lines have transistors associated with them.

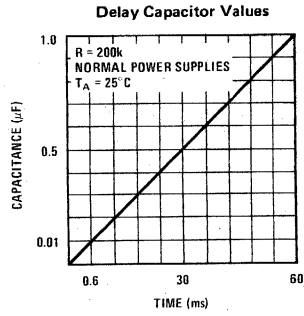
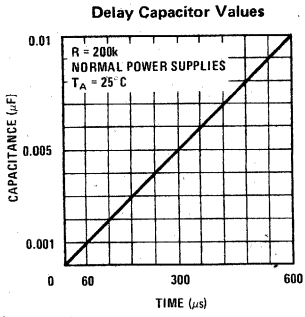
For example, if only 11 inputs are used, use a "2" in the remaining 2. This means only 11 of the 13 gates need to be checked, thereby increasing yield. If less than 78 inputs are used, a "3" in one of the 13 inputs prevents the input from being used.

**Note 3:** A "1" indicates that the IS1 signal will be generated by the word line. A "0" means that IS1 is not generated. Used to block any unused decoded input out of the 78 total.

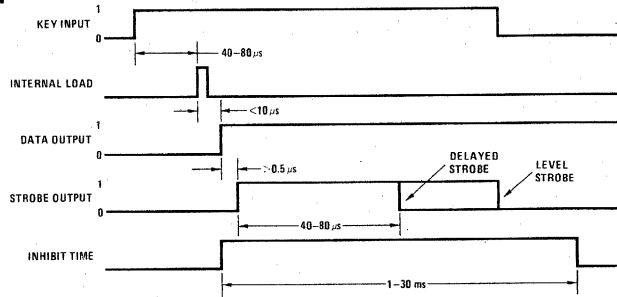
**Note 4:** "0" and "1" symbols for the output codes correspond to the logic levels defined for the device outputs.

**Note 5:** If cards were punched on a keypunch machine with character sets other than IBM  $\phi$ 29 type, a "BLANK" should be used rather than an "=".

typical performance characteristics



timing diagram





# Keyboard Encoder Circuits

## MM54C922/MM74C922 16 key encoder MM54C923/MM74C923 20 key encoder

### general description

These CMOS key encoders provide all the necessary logic to fully encode an array of SPST switches. The keyboard scan can be implemented by either an external clock or external capacitor. These encoders also have on-chip pull-up devices which permit switches with up to 50 k $\Omega$  on resistance to be used. No diodes in the switch array are needed to eliminate ghost switches. The internal debounce circuit needs only a single external capacitor and can be defeated by omitting the capacitor. A Data Available output goes to a high level when a valid keyboard entry has been made. The Data Available output returns to a low level when the entered key is released, even if another key is depressed. The Data Available will return high to indicate acceptance of the new key after a normal debounce period; this two key roll over is provided between any two switches.

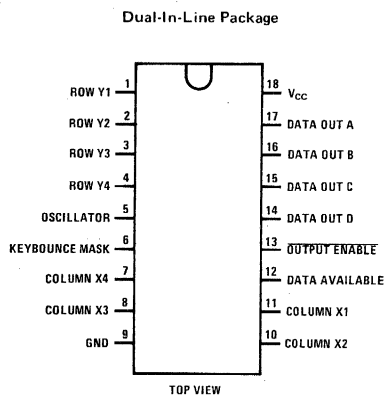
An internal register remembers the last key pressed even after the key is released. The TRI-STATE<sup>®</sup> outputs

provide for easy expansion and bus operation and are LPTTL compatible.

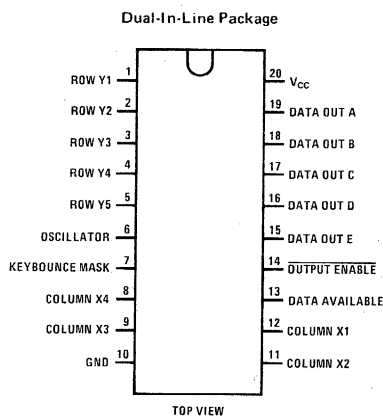
### features

- 50 k $\Omega$  maximum switch on resistance
- On or off chip clock
- On chip row pull-up devices
- 2 key roll-over
- Keybounce elimination with single capacitor
- Last key register at outputs
- TRI-STATE outputs LPTTL compatible
- Wide supply range 3V to 15V
- Low power consumption

### connection diagrams



Order Number MM54C922N  
or MM74C922N  
See Package 20



Order Number MM54C923N  
or MM74C923N  
See Package 20A

**absolute maximum ratings**

|                             |                                    |  |           |
|-----------------------------|------------------------------------|--|-----------|
| Voltage at Any Pin          | $V_{CC} - 0.3V$ to $V_{CC} + 0.3V$ | Package Dissipation                      | 500 mW    |
| Operating Temperature Range |                                    | Operating $V_{CC}$ Range                 | 3V to 15V |
| MM54C922, MM54C923          | -55°C to +125°C                    | $V_{CC}$                                 | 18V       |
| MM74C922, MM74C923          | -40°C to +85°C                     | Lead Temperature (Soldering, 10 seconds) | 300°C     |
| Storage Temperature Range   | -65°C to +150°C                    |  |           |

**dc electrical characteristics** Min/max limits apply across temperature range unless otherwise noted

| PARAMETER                   |  | CONDITIONS                                  | MIN          | TYP    | MAX  | UNITS    |
|-----------------------------|--|---|--------------|--------|------|----------|
| <b>CMOS TO CMOS</b>         |  |   |              |        |      |          |
| $V_{T+}$                    | Positive-Going Threshold Voltage at Osc and KBM Inputs | $V_{CC} = 5V, I_{IN} \geq 0.7 mA$           | 3            | 3.6    | 4.3  | V        |
|                             |  | $V_{CC} = 10V, I_{IN} \geq 1.4 mA$          | 6            | 6.8    | 8.6  | V        |
|                             |  | $V_{CC} = 15V, I_{IN} \geq 2.1 mA$          | 9            | 10     | 12.9 | V        |
| $V_{T-}$                    | Negative-Going Threshold Voltage at Osc and KBM Inputs | $V_{CC} = 5V, I_{IN} \geq 0.7 mA$           | 0.7          | 1.4    | 2    | V        |
|                             |  | $V_{CC} = 10V, I_{IN} \geq 1.4 mA$          | 1.4          | 3.2    | 4    | V        |
|                             |  | $V_{CC} = 15V, I_{IN} \geq 2.1 mA$          | 2.1          | 5      | 6    | V        |
| $V_{IN(1)}$                 | Logical "1" Input Voltage, Except Osc and KBM Inputs   | $V_{CC} = 5V,$                              | 3.5          | 4.5    |      | V        |
|                             |  | $V_{CC} = 10V,$                             | 8            | 9      |      | V        |
|                             |  | $V_{CC} = 15V,$                             | 12.5         | 13.5   |      | V        |
| $V_{IN(0)}$                 | Logical "0" Input Voltage, Except Osc and KBM Inputs   | $V_{CC} = 5V,$                              |              | 0.5    | 1.5  | V        |
|                             |  | $V_{CC} = 10V,$                             |              | 1      | 2    | V        |
|                             |  | $V_{CC} = 15V,$                             |              | 1.5    | 2.5  | V        |
| $I_{rp}$                    | Row Pull-Up Current at Y1, Y2, Y3, Y4 and Y5 Inputs    | $V_{CC} = 5V, V_{IN} = 0.1 V_{CC}$          |              | -2     | -5   | $\mu A$  |
|                             |  | $V_{CC} = 10V$                              |              | -10    | -20  | $\mu A$  |
|                             |  | $V_{CC} = 15V$                              |              | -22    | -45  | $\mu A$  |
| $V_{OUT(1)}$                | Logical "1" Output Voltage                             | $V_{CC} = 5V, I_O = -10\mu A$               | 4.5          |        |      | V        |
|                             |  | $V_{CC} = 10V, I_O = -10\mu A$              | 9            |        |      | V        |
|                             |  | $V_{CC} = 15V, I_O = -10\mu A$              | 13.5         |        |      | V        |
| $V_{OUT(0)}$                | Logical "0" Output Voltage                             | $V_{CC} = 5V, I_O = 10\mu A$                |              |        | 0.5  | V        |
|                             |  | $V_{CC} = 10V, I_O = 10\mu A$               |              |        | 1    | V        |
|                             |  | $V_{CC} = 15V, I_O = 10\mu A$               |              |        | 1.5  | V        |
| $R_{on}$                    | Column "ON" Resistance at X1, X2, X3 and X4 Outputs    | $V_{CC} = 5V, V_O = 0.5V$                   |              | 500    | 1400 | $\Omega$ |
|                             |  | $V_{CC} = 10V, V_O = 1V$                    |              | 300    | 700  | $\Omega$ |
|                             |  | $V_{CC} = 15V, V_O = 1.5V$                  |              | 200    | 500  | $\Omega$ |
| $I_{CC}$                    | Supply Current   | $V_{CC} = 5V, \text{Osc at } 0V$            |              | 0.55   | 1.1  | mA       |
|                             |  | $V_{CC} = 10V$                              |              | 1.1    | 1.9  | mA       |
|                             |  | $V_{CC} = 15V$                              |              | 1.7    | 2.6  | mA       |
| $I_{IN(1)}$                 | Logical "1" Input Current at Output Enable             | $V_{CC} = 15V, V_{IN} = 15V$                |              | 0.005  | 1.0  | $\mu A$  |
| $I_{IN(0)}$                 | Logical "0" Input Current at Output Enable             | $V_{CC} = 15V, V_{IN} = 0V$                 | -1.0         | -0.005 |      | $\mu A$  |
| <b>CMOS/LPTTL INTERFACE</b> |  |   |              |        |      |          |
| $V_{IN(1)}$                 | Logical "1" Input Voltage, Except Osc and KBM Inputs   | 54C, $V_{CC} = 4.5V$                        | $V_{CC}-1.5$ |        |      | V        |
|                             |  | 74C, $V_{CC} = 4.75V$                       | $V_{CC}-1.5$ |        |      | V        |
| $V_{IN(0)}$                 | Logical "0" Input Voltage, Except Osc and KBM Inputs   | 54C, $V_{CC} = 4.5V$                        |              |        | 0.8  | V        |
|                             |  | 74C, $V_{CC} = 4.75V$                       |              |        | 0.8  | V        |
| $V_{OUT(1)}$                | Logical "1" Output Voltage                             | 54C, $V_{CC} = 4.5V,$<br>$I_O = -360\mu A$  | 2.4          |        |      | V        |
|                             |  | 74C, $V_{CC} = 4.75V,$<br>$I_O = -360\mu A$ | 2.4          |        |      | V        |
| $V_{OUT(0)}$                | Logical "0" Output Voltage                             | 54C, $V_{CC} = 4.5V,$<br>$I_O = -360\mu A$  |              |        | 0.4  | V        |
|                             |  | 74C, $V_{CC} = 4.75V,$<br>$I_O = -360\mu A$ |              |        | 0.4  | V        |

## dc electrical characteristics (con't)

| PARAMETER   | CONDITIONS  | MIN   | TYP  | MAX | UNITS |
|---|---|-------|------|-----|-------|
| <b>OUTPUT DRIVE (See 54C/74C Family Characteristics Data Sheet)</b> |   |       |      |     |       |
| ISOURCE Output Source Current (P-Channel)                           | $V_{CC} = 5V, V_{OUT} = 0V,$<br>$T_A = 25^\circ C$      | -1.75 | -3.3 |     | mA    |
| ISOURCE Output Source Current (P-Channel)                           | $V_{CC} = 10V, V_{OUT} = 0V,$<br>$T_A = 25^\circ C$     | -8    | -15  |     | mA    |
| ISINK Output Sink Current (N-Channel)                               | $V_{CC} = 5V, V_{OUT} = V_{CC},$<br>$T_A = 25^\circ C$  | 1.75  | 3.6  |     | mA    |
| ISINK Output Sink Current (N-Channel)                               | $V_{CC} = 10V, V_{OUT} = V_{CC},$<br>$T_A = 25^\circ C$ | 8     | 16   |     | mA    |

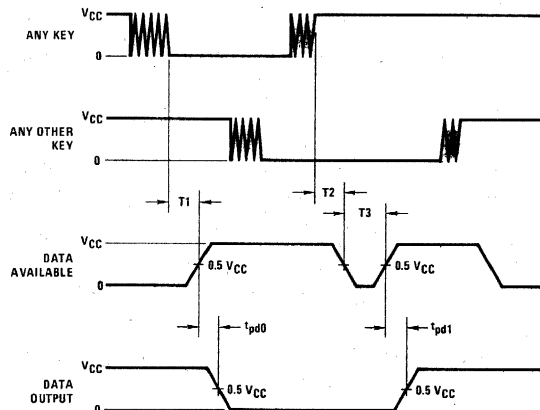
ac electrical characteristics  $T_A = 25^\circ C$ 

| PARAMETER   | CONDITIONS  | MIN | TYP             | MAX               | UNITS          |
|---|---|-----|-----------------|-------------------|----------------|
| $t_{pd0}, t_{pd1}$ Propagation Delay Time to Logical "0" or Logical "1" from D.A.                 | $C_L = 50 \text{ pF},$ (Figure 1)<br>$V_{CC} = 5V$<br>$V_{CC} = 10V$<br>$V_{CC} = 15V$  |     | 60<br>35<br>25  | 150<br>80<br>60   | ns<br>ns<br>ns |
| $t_{0H}, t_{1H}$ Propagation Delay Time from Logical "0" or Logical "1" into High Impedance State | $R_L = 10k, C_L = 5 \text{ pF},$ (Figure 2)<br>$V_{CC} = 5V, R_L = 10k$<br>$V_{CC} = 10V, C_L = 10 \text{ pF}$<br>$V_{CC} = 15V$  |     | 80<br>65<br>50  | 200<br>150<br>110 | ns<br>ns<br>ns |
| $t_{H0}, t_{H1}$ Propagation Delay Time from High Impedance State to a Logical "0" or Logical "1" | $R_L = 10k, C_L = 50 \text{ pF},$ (Figure 2)<br>$V_{CC} = 5V, R_L = 10k$<br>$V_{CC} = 10V, C_L = 50 \text{ pF}$<br>$V_{CC} = 15V$ |     | 100<br>55<br>40 | 250<br>125<br>90  | ns<br>ns<br>ns |
| $C_{IN}$ Input Capacitance  | Any Input, (Note 2)   |     | 5               | 7.5               | pF             |
| $C_{OUT}$ TRI-STATE Output Capacitance  | Any Output, (Note 2)  |     | 10              |                   | pF             |

Note 1: "Absolute Maximum Ratings" are those values beyond which the safety of the device cannot be guaranteed. Except for "Operating Temperature Range" they are not meant to imply that the devices should be operated at these limits. The table of "Electrical Characteristics" provides conditions for actual device operation.

Note 2: Capacitance is guaranteed by periodic testing.

## switching time waveforms



$T1 \approx T2 \approx RC, T3 \approx 0.7 RC$  where  $R \approx 10k$  and  $C$  is external capacitor at KBM input.

FIGURE 1

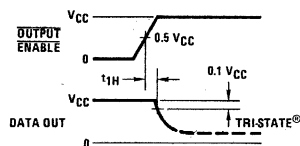
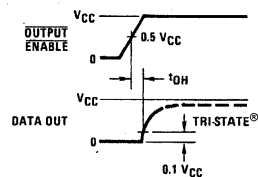
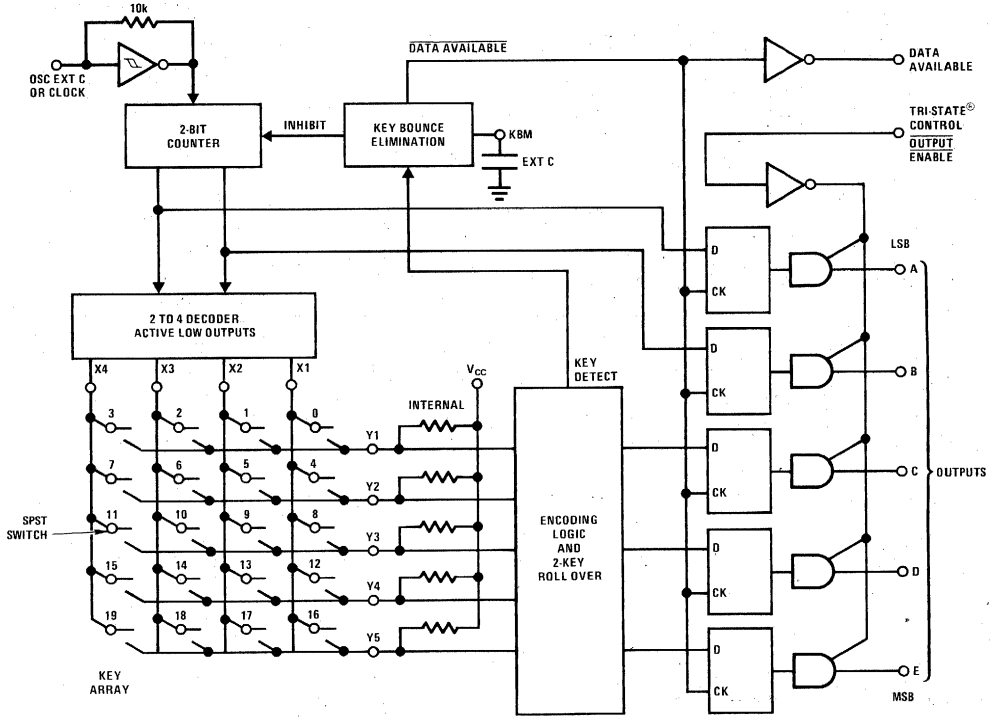


FIGURE 2

block diagram

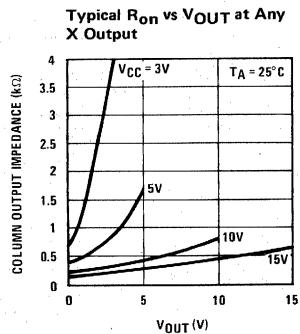
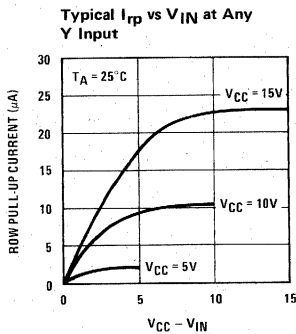


truth table

| SWITCH POSITION | 0     | 1     | 2     | 3     | 4     | 5     | 6     | 7     | 8     | 9     | 10    | 11    | 12    | 13    | 14    | 15    | 16    | 17    | 18    | 19    |
|-----------------|-------|-------|-------|-------|-------|-------|-------|-------|-------|-------|-------|-------|-------|-------|-------|-------|-------|-------|-------|-------|
|                 | Y1,X1 | Y1,X2 | Y1,X3 | Y1,X4 | Y2,X1 | Y2,X2 | Y2,X3 | Y2,X4 | Y3,X1 | Y3,X2 | Y3,X3 | Y3,X4 | Y4,X1 | Y4,X2 | Y4,X3 | Y4,X4 | Y5*X1 | Y5*X2 | Y5*X3 | Y5*X4 |
| D               | 0     | 1     | 0     | 1     | 0     | 1     | 0     | 1     | 0     | 1     | 0     | 1     | 0     | 1     | 0     | 1     | 0     | 1     | 0     | 1     |
| A               | 0     | 0     | 1     | 1     | 0     | 0     | 1     | 1     | 0     | 0     | 1     | 1     | 0     | 0     | 1     | 1     | 0     | 0     | 1     | 1     |
| B               | 0     | 0     | 0     | 1     | 1     | 1     | 1     | 0     | 0     | 0     | 0     | 1     | 1     | 1     | 1     | 0     | 0     | 0     | 0     | 0     |
| C               | 0     | 0     | 0     | 0     | 1     | 1     | 1     | 1     | 0     | 0     | 0     | 0     | 1     | 1     | 1     | 1     | 0     | 0     | 0     | 0     |
| D               | 0     | 0     | 0     | 0     | 0     | 0     | 0     | 0     | 1     | 1     | 1     | 1     | 1     | 1     | 1     | 1     | 1     | 0     | 0     | 0     |
| U               | 0     | 0     | 0     | 0     | 0     | 0     | 0     | 0     | 0     | 0     | 0     | 0     | 0     | 0     | 0     | 0     | 0     | 1     | 1     | 1     |
| E*              | 0     | 0     | 0     | 0     | 0     | 0     | 0     | 0     | 0     | 0     | 0     | 0     | 0     | 0     | 0     | 0     | 1     | 1     | 1     | 1     |

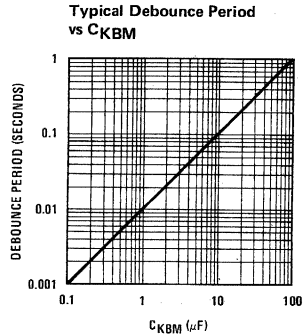
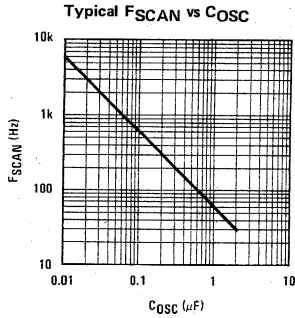
\*Omit for MM54C922/MM74C922

typical performance characteristics



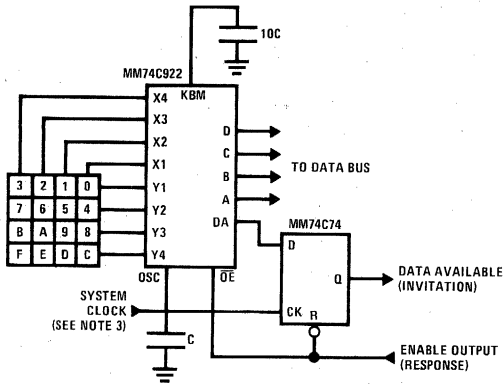


typical performance characteristics (con't)

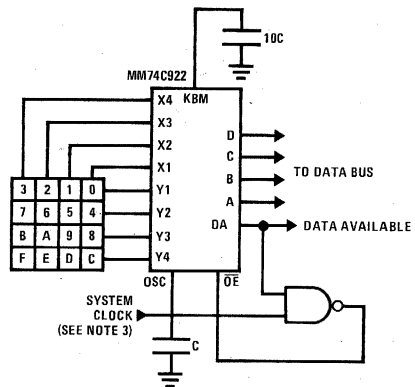


typical applications

Synchronous Handshake (MM74C922)

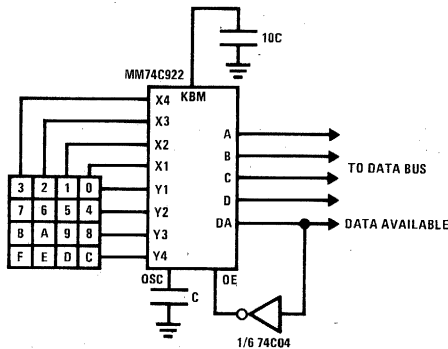


Synchronous Data Entry Onto Bus (MM74C922)



Outputs are enabled when valid entry is made and go into TRI-STATE when key is released.

Asynchronous Data Entry Onto Bus (MM74C922)



Outputs are in TRI-STATE until key is pressed, then data is placed on bus. When key is released, outputs return to TRI-STATE.

**Note 3:** The keyboard may be synchronously scanned by omitting the capacitor at osc. and driving osc. directly if the system clock rate is lower than 10 kHz.



## MICROPROCESSOR MATES WITH MOS/LSI KEYBOARD ENCODER

### ABSTRACT

This application note is intended to show how to interface a keyboard to the IMP-16 microprocessor for the purpose of text editing. An example which includes suggested hardware and software is presented to illustrate data inputting from the keyboard to the microprocessor. This example can be used either with the IMP-16 chip set or with the IMP-16C/200 or IMP-16C/300 card.

### INTRODUCTION

The MM5740 keyboard encoder interfaced to an IMP-16C card microprocessor provides a very cost-effective means of data entry that takes full advantage of the benefits of MOS/LSI technology. The MM5740 is a complete keyboard interface system capable of providing quad mode\* 90 key keyboard encoding in a single integrated circuit. This chip detects a key switch closure and translates it into a coded output while providing all of the necessary functions for modern keyboard system design. Data and control outputs are directly compatible with the TTL logic inputs on the IMP-16C. Characters are read from the keyboard into the read/write memory on the IMP-16C card by means of a program contained in PROM's on the card or in external memory. The characters may be reformatted, edited, converted to binary and processed, transferred to a floppy disk or cassette for more permanent recording, or transmitted to a central computer facility. Typical applications include text editing typewriters, alphanumeric CRT display controllers, remote terminal controllers, data entry and recording systems, operators console in man-machine interactive systems, supervisory or process control systems. Further application information is contained in *AN-80 MOS Keyboard Encoding* and *AN-124 IMP-16 Peripheral Interfacing Simplified*. Figure 1 is a functional diagram of a keyboard/IMP-16C interface using the LSI keyboard encoder.

### INTERFACE CONSIDERATIONS

#### The Keyboard

Connecting a physical keyboard to the MM5740 will be covered briefly in the following discussion. A more comprehensive treatment is detailed in AN-80, pgs 3 - 4. For this discussion, reference should be made to Figure 2 which details the pin connections.

The matrix drive ( $X_1$ - $X_9$ ) and sense ( $Y_1$ - $Y_{10}$ ) lines are normally connected to each other via the switch matrix. These lines detect contact closure and sense the key that was depressed. The corresponding character is obtained from a read only memory in the MM5740 which has been mask programmed for the desired code. Nine bits are available for each character. Bits 0 to 7 are generally information bits while bits 8 and 9 may be used for parity or special character control. When a valid key is entered the corresponding 9-bit character is stored internally in latches within the MM5740. After a delay of one bit time (one clock period) the data strobe (pin 13) signal will go high, indicating that data is ready and stored in the output latches. This signal alerts the IMP-16C that the character may now be taken. The function of the data strobe control input (pin 14) is to control the resetting of the data strobe once it has been activated. The output enable (pin 15) serves as the TRI-STATE® control for the code data output lines ( $B_1$  to  $B_9$ ) and is used to control the resetting of the data strobe output.

To minimize response time, the MM5740 is operated in the pulse data strobe mode. The output enable is tied to ground so that the outputs are always enabled. The data strobe is tied directly to the data strobe control. With this connection, a pulse which is one bit time wide will appear on the data strobe line to indicate available data is present. With a 200 kHz clock, one bit time translates into a 5  $\mu$ s data strobe pulse.

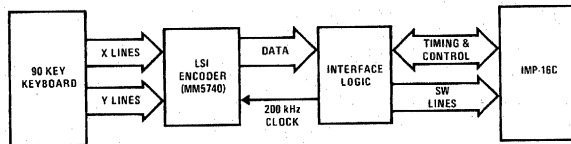


FIGURE 1. Functional Diagram

\*Quad mode means the four basic keyboard modes which are; UNSHIFT, SHIFT, CONTROL, SHIFT CONTROL.

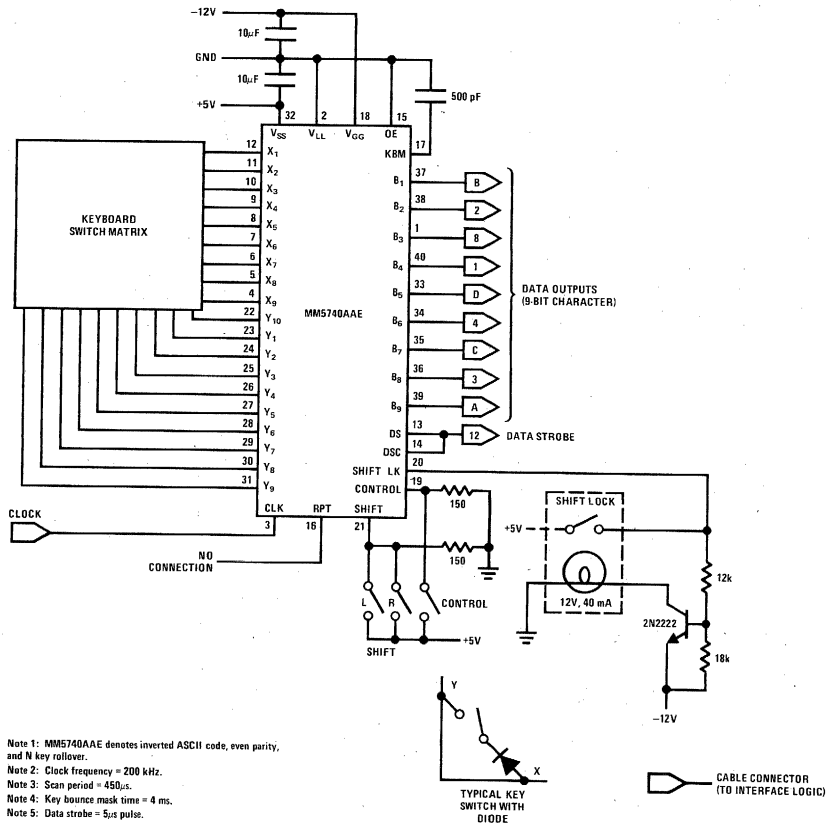


FIGURE 2. MM5740 Pin Connections

In the following sample interface design the MM5740 chip and several discrete components are mounted on a communications keyboard. A cable from the 40 pin connector on the keyboard to an 8 1/2" x 11" interface board provides the physical communications link to the processor. The interface board has space available for components to implement a cassette and CRT interface for text editing applications. Pages of text could be stored as cassette records, called up by the keyboard and displayed on the CRT. Appropriate keyboard commands could be programmed to edit the page. Lines could be inserted, deleted, copied or moved as required. The finished page could be restored on the cassette. Figure 3 is a schematic diagram of the keyboard interface logic board.

#### MM5740-IMP-16C INTERFACE

Three instructions are necessary for the IMP-16C to detect that a character is ready for input and to obtain that character. These instructions are given below:

```

LI   3, X '80   ;DEVICE ADDRESS IN AC3
BOC  13, .+0   ;WAIT FOR CHARACTER READY
RIN  0         ;INPUT CHARACTER INTO AC0
  
```

The first instruction sets the peripheral device address of the keyboard (X'80) into accumulator 3 (AC3). This is necessary for proper execution of the RIN instruction (AC3 is added to the sign extended displacement field of the RIN instruction and sent to the peripheral over the ADX lines). The address was chosen so as not to be in conflict with any of the IMP-16P peripherals.

The BOC instruction is essentially a test for keyboard character ready. The data strobe output (DSO) from the keyboard (cable connector pin 12) is stored in a set-reset latch built from cross coupled NAND gates (see Figure 3). This is because the DSO pulse width is one clock period or 5.0μs and the processor might not detect DSO in the required time. Refer to Figure 4 for IMP-16C/MM5740 timing. The complement output of the latch (Q) is connected to jump condition 13 (JC13). The BOC instruction tests for JC13 and branches to the PC relative address specified in the displacement field if the condition is true. Normally JC13 is true; when a key is pressed DSO goes high which forces Q low. The jump condition will then be false and the next instruction executed. This next instruction is a RIN 0 which takes the character from the keyboard encoder (B<sub>1</sub> to B<sub>8</sub>) into AC0. Thus, this program is in a one-word BOC loop until a key is pressed.

Execution of the RIN instruction causes:

1. The peripheral device address and order code to be placed on the ADX lines at T4 of microcycle 6 (see Figure 1-3, IMP-16C Application Manual Supplement 1, pg. 1 - 3. There are eight timing pulses, T1 to T8, each microcycle. The RIN instruction requires 7 of these microcycles).

2. The RDP (Read Peripheral) flag to be pulsed at T2 of microcycle 7. This is used as a peripheral input gating signal.

The peripheral address and order codes on the ADX lines are set into TTL latches on the IMP-16C during RIN microcycle 6. The ADX lines are sent to all peripherals, but only the one whose address is specified

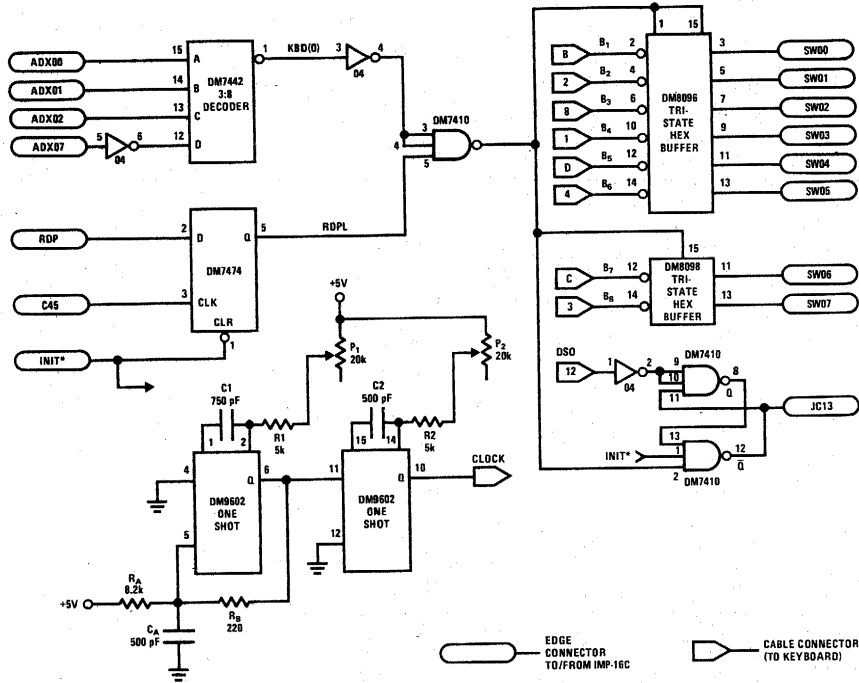


FIGURE 3. Text Editing Keyboard (TEK) Interface Logic for IMP-16C

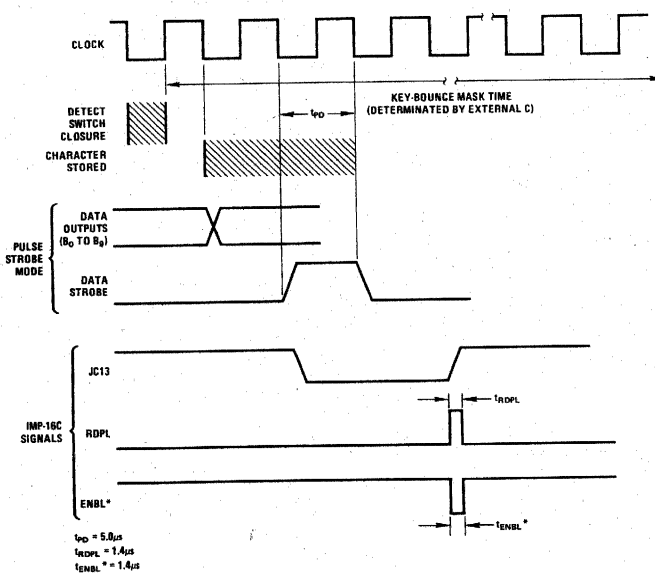


FIGURE 4. MM5740/IMP-C Timing Diagram

will respond. A BCD to binary decoder (DM7442) is used to select one of eight possible order codes. This provides modular expansion capability if new peripherals (keyboards, CRT's, cassettes, printers) are added to the keyboard microprocessor system. The RDP signal is latched (RDPL) on the interface to guarantee that it will be valid at T7 of RIN microcycle 7, when data is taken by the processor. At this time the address and order code is valid and the ENBL signal goes low. This signal enables the TRI-STATE buffers (DM8096, DM8098) which complement the inverted ASCII keyboard data ( $B_1$  to  $B_8$ ) and place it on the SW bus to the processor. The data is taken by the processor at T7 and transferred into ACO bits 0 to 7. At this point, one character has been obtained by the processor. The ENBL signal is also used to reset the data strobe latch which makes  $\bar{Q}$  high and JC13 true. This reconditions the IMP-16C to be ready for the next character.

The MM5740's clock input (CLK) is provided by a dual one shot (DM9602) connected as an oscillator. A 200 kHz square wave is generated using the logic shown in Figure 3.

### THE PROGRAM

In addition to the three instructions given, a control program is necessary to pack, store and count characters

and insert line delimiters—carriage return (CR) and line feed (LF). A flow chart and coding for the program are given in Figures 5 and 6.

A line of text is terminated by a CR or when 72 characters have been entered. The CR-LF is inserted and an address pointer is incremented to designate the start of the next line. At this point, the user may request that the last line or entire message be typed on the teletype using the MESH routine in the TTY 16P PROM. Editing functions such as insert, delete, replace, copy, or move lines could be provided if the information was to be output to a CRT, cassette or floppy disc. Although the keyboard encoder (MM5740) used was mask programmed for inverted ASCII code with even parity, any code could be used.

### CONCLUSION

The example below demonstrates a keyboard/microprocessor interface taking full advantage of the benefits of LSI technology—small size, increased reliability, fewer interconnections and much more functional capability per unit cost. These advantages may be exploited in a wide range of man-machine or operator interaction systems.

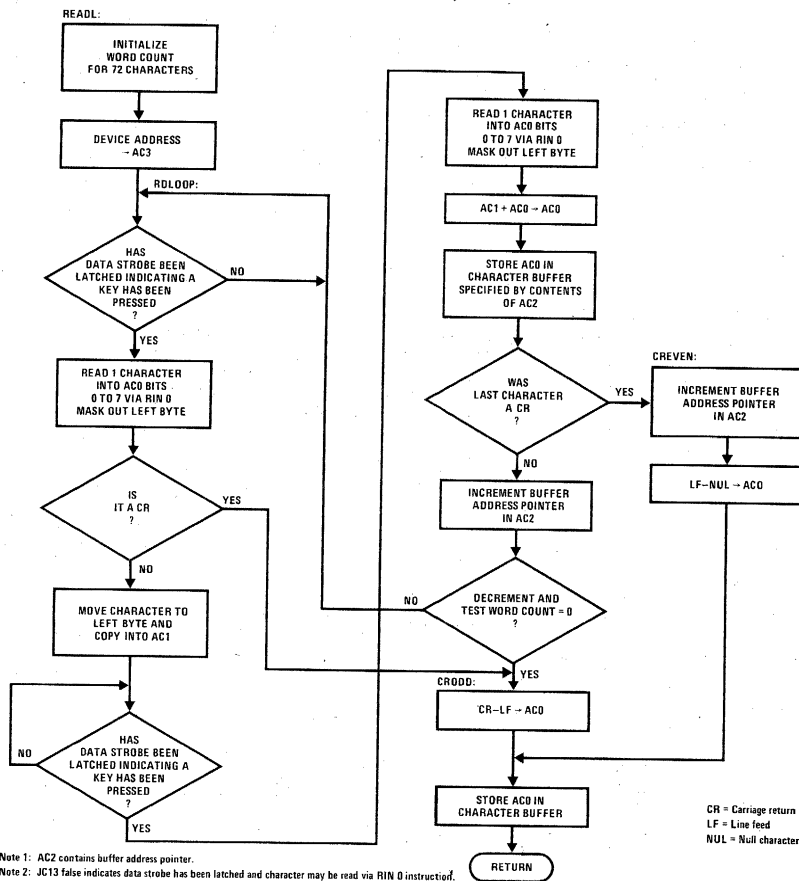


FIGURE 5. Flowchart of Subroutine (READL) that Reads One Line from the Keyboard

```

1          . TITLE TEK
2          0000 . ASECT
3          0700 . =X'700
4          ; MAIN PROGRAM
5 0700 0914 A TEK: LD 2,STADDR ; INITIALIZE MESH ADDR
6 0701 A90C A GO: ST 2,MADRES ;
7 0702 2914 A JSR READL ; READ 1 LINE & STORE
8          ; PUT 1 IN AC0 FOR TTY LINE 0 TO CONTINUE READING,
9          ; 2 TO OUTPUT ALL LINES ON TTY
10 0703 0000 A HALT ; ENTER 0/1/2 IN AC0
11 0704 1305 A BOC 3,OUTL ; BIT0 AC0=1 OUT LINE
12 0705 1402 A BOC 4,OUTM ; BIT1 AC0=1 OUT MESH
13          ; CONTINUE ENTERING NEXT LINE BY DEFAULT
14 0706 4A01 A AISZ 2,1 ; INCR ADDRESS PTR
15 0707 21F9 A JMP GO ; CONTINUE
16          ; OUTPUT ENTIRE MESSAGE ON TTY
17 0708 850C A OUTM: LD 1,STADDR ; SETUP MESH STARTING
18 0709 A504 A ST 1,MADRES ; ADDRESS
19          ; ENTER 0 AS LAST WORD FOR MESH ROUTINE IN TTY16P
20          ; OUTPUT LINE OR MESSAGE
21 070A 4A01 A OUTL: AISZ 2,1 ; INCR ADDRESS
22 070B 4C00 A LI 0,0
23 070C A200 A ST 0,(2)
24          ; OUTPUT ON TTY USING MESH SR IN TTY16P FROM
25 070D 2008 A JSR @MESH ; OUTPUT ON TTY
26          070F MADRES: = +1 ; MESSAGE ADDRESS
27 070F 21F1 A JMP GO ; READ NEXT LINE
28          ;
29          ; DATA AREA
30          0711 WDCNT: = +1 ; WORD COUNT FOR KBD
31 0711 00FF A H00FF: .WORD X'00FF ; MASK RT WD
32 0712 008D A CR: .WORD X'008D ; CR W PARITY BIT
33 0713 0D0A A CRLF: .WORD X'0D0A ; 'CR-LF'
34 0714 0A00 A LFNUL: .WORD X'0A00 ; 'LF-NUL'
35 0715 1000 A STADDR: .WORD X'1000 ; ST ADDRESS OF MESH
36 0716 7EC3 A MESH: .WORD X'7EC3 ; MESH SR ADDR TTY16P
37          ; READ 1 LINE FROM KEYBOARD & STORE IN 36 WD BUFFER
38          ; STARTING BUFFER ADDRESS IN AC2
39          ; CHARS ARE READ, PACKED & STORED
40          ; CR IS TERMINATING CHAR. CR LF AT END OF LINE
41          ; JC13 FOR DATA STROBE OUTPUT WHEN KEY IS PRESSED
42 0717 4C24 A READL: LI 0,36 ; WORD COUNT
43 0718 A1F7 A ST 0,WDCNT
44 0719 4F80 A LI 13,X'80 ; DEVICE ADDRESS
45 071A 1DFF A RDLOOP: BOC 13,+0 ; WAIT FOR DATA STROBE
46 071B 0400 A RIN 0 ; READ 1 CHAR INTO AC0
47 071C 61F4 A AND 0,H00FF ; MASK OUT LEFT BYTE
48 071D F1F4 A SKNE 0,CR ; IS IT A 'CR'
49 071E 210D A JMP CRODD
50 071F 5C08 A SHL 0,8 ; MOVE TO LEFT BYTE
51 0720 3181 A RCPY 0,1
52 0721 1DFF A BOC 13,+0 ; WAIT FOR DATA STROBE
53 0722 0400 A RIN 0 ; READ 1 CHAR INTO AC0
54 0723 61ED A AND 0,H00FF ; MASK OUT LEFT BYTE
55 0724 3400 A RADD 1,0 ; 2 PACKED CHARS
56 0725 A200 A ST 0,(2) ; STORE IN BUFFER
57 0726 61EA A AND 0,H00FF ; WAS LAST CHAR A CR
58 0727 F1EA A SKNE 0,CR
59 0728 2106 A JMP CREVEN
60 0729 4A01 A AISZ 2,1 ; INCR ADDR POINTER
61 072A 7DE5 A DSZ WDCNT ; DECR & TEST WD COUNT
62 072B 21EE A RDLOOP
63          ;
64          ; ENTER CR-LF AS LAST WORD

```

FIGURE 6. Coding for Text Editing Keyboard (TEK)

```

65 072C 01E6 A CRODD: LD 0,CRLF ;CR/LINE FEED CHARS
66 072D A200 A ST 0,(2) ;STORE IN BUFFER
67 072E 0200 A RTS 0
68 ; ENTER LF-NUL AS LAST WORD
69 072F 4A01 A CREVEN: AISZ 2,1 ; INCR ADDRESS PTR
70 0730 01E3 A LD 0,LFNULL ;LINE FEED/NULL CHARS
71 0731 21FB A JMP CRODD+1
72 ;
73 ; MESSAGE BUFFER
74 ; EACH LINE CONTAINS A MAXIMUM OF 72 PACKED CHARS
75 ; AND A CR-LF
76 1000 =X'1000
77 0700 .END TEK

```

```

CR 0712 A
CREVEN 072F A
CRLF 0713 A
CRODD 072C A
GO 0701 A
H00FF 0711 A
LFNULL 0714 A
MADRES 070E A
MSG 0716 A
OUTL 070A A
OUTM 0708 A
RDLOOP 071A A
READL 0717 A
STADDR 0715 A
TEK 0700 A
WDCNT 0710 A
NO ERROR LINES
SOURCE CK. = AE1A

```

FIGURE 6. Coding for Text Editing Keyboard (TEK) (Continued)



## MOS ENCODER PLUS PROM YIELD QUICK TURNAROUND KEYBOARD SYSTEMS\*

### INTRODUCTION

Most modern keyboard designs employ MOS/LSI keyboard encoder IC's to implement all the necessary electronic functions. The key codes specified by the customer are programmed into a read only memory which is an inherent part of the encoder. Although some common encoder formats are available off the shelf, such as ASR33 teletype (MM5740AAE or MM5740AAF), there are many instances where variations of common formats are needed. Since these formats are mask programmed into the keyboard encoder, there is a certain amount of lead time (approximately 12 weeks) before a customer receives his final circuit.

By using a binary coded keyboard encoder in conjunction with a programmable read only memory, customers can build prototype keyboard systems or fill small volume orders in minimum time. This approach keeps all the encoding electronics and timing the same as in the final system, so that a minimum of redesign is necessary to configure the actual final version. This is done when the keyboard encoder with the final mask

programmed key codes is received. In addition, the usefulness of being able to reassign key codes quickly in the PROM makes system debugging and alteration an easy task.

The basic configuration for this implementation is shown in the simplified block diagram of *Figure 1*. The key switches and all timing signals are configured in the normal manner. The keyboard encoder chip will emit binary codes for each valid keyswitch closure. These binary outputs are used as addresses for the PROM which is programmed with the desired actual code for each keyswitch. Each key closure is transformed first to an address by the encoder and then to the final code by the PROM. In this manner, a general design is possible, with the only variable being the contents of the PROM which is easily and quickly programmed. When changes are necessary, the PROM may be erased and reprogrammed quickly making it an easy task to finalize design alterations.

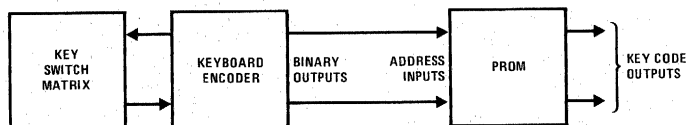


FIGURE 1. Simplified Block Diagram

\*REFERENCE: AN-80 MOS Keyboard Encoding by Dom Richiuso



KEYBOARD IMPLEMENTATION

A typical implementation of this approach is shown in Figure 2. The encoder employs a dynamic scanning technique to identify key closures. Each keyswitch is

defined by a particular X drive line and Y sense line of the encoder. In addition to the basic operation of translating a switch closure to a coded output, the MM5740

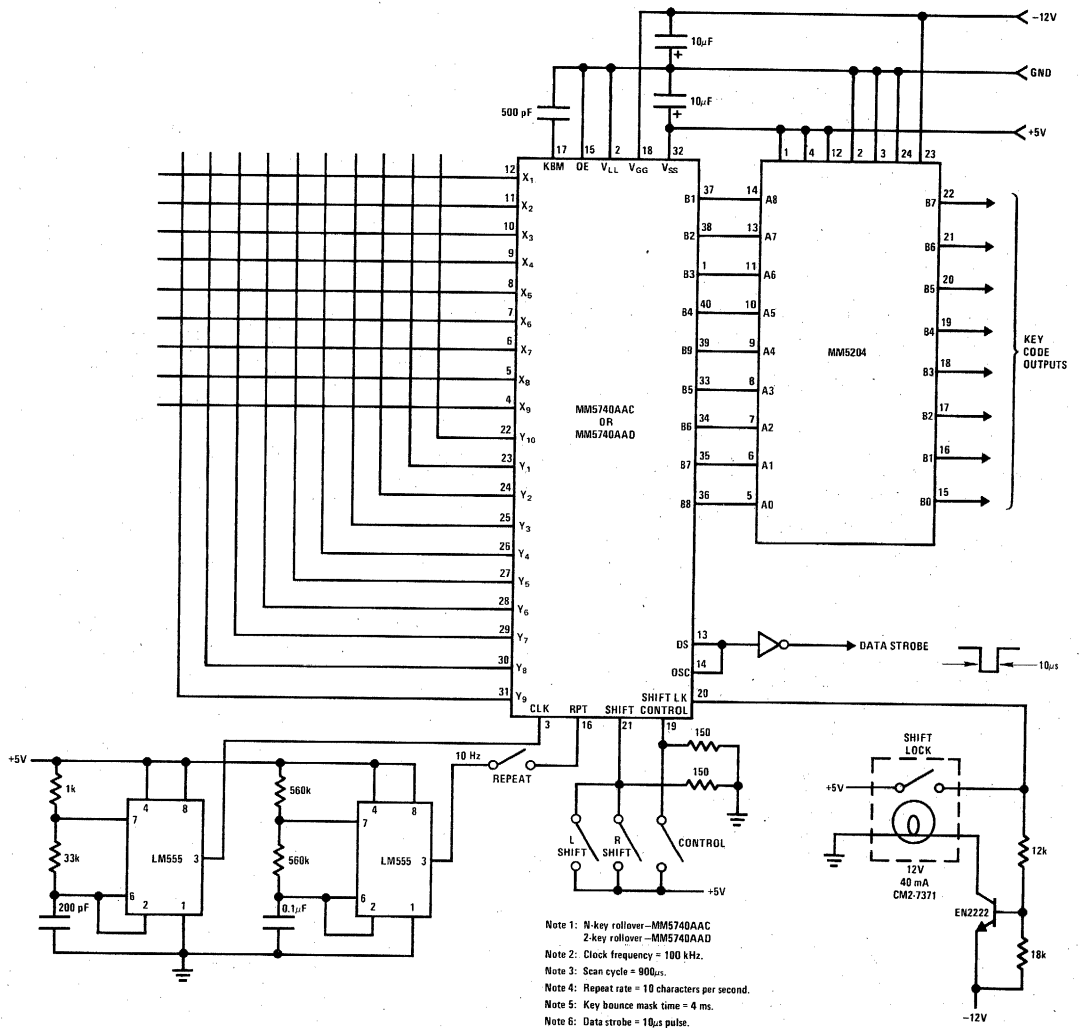


FIGURE 2. Typical Keyboard System

provides all the functions necessary for modern keyboard system design. This includes all the logic necessary for key validation, 2-key or N-key rollover, bounce masking, mode selection and strobe generation. Table I illustrates the relationship between keyswitch matrix position, key mode and the binary coded outputs of the MM5740 AAC or AAD encoder. The AAC version provides for N-key rollover while the AAD is a 2-key rollover encoder. Since there are nine X lines, ten Y lines and four modes, 360 nine-bit codes are possible.

the PROM, it should be noted that the MM5740 uses a bit paired coding system. Any particular key will have 5 common bits (B1, B2, B3, B4, B9) and 4 variable bits (B5, B6, B7, B8) which may change when going from one mode to another. In addition, encoder coding is specified in terms of negative logic so that it may be necessary to complement positive logic PROM contents when ordering encoder masks.

In the general application using 90 four mode keys, a 4k PROM (MM5204) should be used. If less than 64 four-mode keys are all that is required, a 2k PROM (MM5203) may be substituted. In this case, the most significant bit (B1) from the encoder is dropped and Table I addresses would go from 0-255. When programming

By careful PC board layout, the encoder/PROM prototyping system can utilize the same PC board as the final system with the PROM removed. This can be accomplished by arranging the traces so that it is possible to provide jumpers from the encoder outputs to the PROM outputs. Utilizing this approach allows for a minimum of tooling, parts counts and quick turnaround time for new designs.

TABLE I. Encoder/PROM Mapping

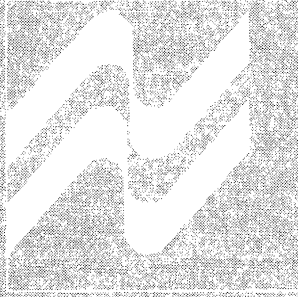
| KEY POSITION |   | MODE | ADDRESSES<br>(ENCODER OUTPUT) |    |    |    |    |    |    |    | KEY CODE OUTPUTS<br>(PROM CONTENTS) |    |    |    |    |    |    |    |
|--------------|---|------|-------------------------------|----|----|----|----|----|----|----|-------------------------------------|----|----|----|----|----|----|----|
| X            | Y |      | B1                            | B2 | B3 | B4 | B9 | B5 | B6 | B7 | B8                                  | B7 | B6 | B5 | B4 | B3 | B2 | B1 |
| KEY 1        | 1 | 1    | Unshift                       | 0  | 0  | 0  | 0  | 0  | 0  | 0  | 0                                   | 0  | 0  | 0  | 0  | 0  | 0  | 0  |
|              | 1 | 1    | Shift                         | 0  | 0  | 0  | 0  | 0  | 0  | 0  | 0                                   | 0  | 0  | 0  | 0  | 0  | 0  | 1  |
|              | 1 | 1    | Control                       | 0  | 0  | 0  | 0  | 0  | 0  | 0  | 0                                   | 0  | 1  | 0  | 0  | 0  | 0  | 0  |
|              | 1 | 1    | Shift Control                 | 0  | 0  | 0  | 0  | 0  | 0  | 0  | 0                                   | 0  | 1  | 1  | 0  | 0  | 0  | 0  |
|              | 1 | 2    | Unshift                       | 0  | 0  | 0  | 0  | 0  | 0  | 0  | 1                                   | 0  | 0  | 0  | 0  | 0  | 0  | 0  |
|              | 1 | 2    | Shift                         | 0  | 0  | 0  | 0  | 0  | 0  | 0  | 1                                   | 0  | 1  | 0  | 0  | 0  | 0  | 0  |
|              | 1 | 2    | Control                       | 0  | 0  | 0  | 0  | 0  | 0  | 0  | 1                                   | 1  | 0  | 0  | 0  | 0  | 0  | 0  |
|              | 1 | 2    | Shift Control                 | 0  | 0  | 0  | 0  | 0  | 0  | 0  | 1                                   | 1  | 1  | 0  | 0  | 0  | 0  | 0  |
| KEY 90       | 9 | 10   | Unshift                       | 1  | 0  | 1  | 1  | 0  | 0  | 1  | 0                                   | 0  | 0  | 0  | 0  | 0  | 0  | 0  |
|              | 9 | 10   | Shift                         | 1  | 0  | 1  | 1  | 0  | 0  | 1  | 0                                   | 1  | 0  | 0  | 0  | 0  | 0  | 0  |
|              | 9 | 10   | Control                       | 1  | 0  | 1  | 1  | 0  | 0  | 1  | 1                                   | 0  | 0  | 0  | 0  | 0  | 0  | 0  |
|              | 9 | 10   | Shift Control                 | 1  | 0  | 1  | 1  | 0  | 0  | 1  | 1                                   | 1  | 0  | 0  | 0  | 0  | 0  | 0  |

USER  
DEFINED  
KEY  
CODES

\* Encoder outputs are listed in positive true logic notation.

TABLE II. Truth Table  
MM5740/AAC or MM5740/AAD

| MATRIX ADDRESS | COMMON |    |    |    |    | UNSHIFT |    |    |    | SHIFT |    |    |    | CONTROL |    |    |    | SHIFT CONTROL |    |    |    |
|----------------|--------|----|----|----|----|---------|----|----|----|-------|----|----|----|---------|----|----|----|---------------|----|----|----|
|                | B1     | B2 | B3 | B4 | B9 | B5      | B6 | B7 | B8 | B5    | B6 | B7 | B8 | B5      | B6 | B7 | B8 | B5            | B6 | B7 | B8 |
| 1 1            | 1      | 1  | 1  | 1  | 1  | 1       | 1  | 1  | 1  | 1     | 1  | 1  | 0  | 1       | 1  | 0  | 1  | 1             | 1  | 0  | 0  |
| 1 2            | 1      | 1  | 1  | 1  | 1  | 1       | 0  | 1  | 1  | 1     | 0  | 1  | 0  | 1       | 1  | 0  | 1  | 1             | 0  | 1  | 0  |
| 1 3            | 1      | 1  | 1  | 1  | 1  | 0       | 0  | 1  | 1  | 1     | 0  | 1  | 1  | 0       | 1  | 0  | 0  | 1             | 1  | 0  | 0  |
| 1 4            | 1      | 1  | 1  | 1  | 1  | 0       | 0  | 1  | 1  | 1     | 0  | 0  | 1  | 0       | 0  | 1  | 0  | 0             | 1  | 1  | 0  |
| 1 5            | 1      | 1  | 1  | 1  | 0  | 1       | 1  | 1  | 1  | 1     | 1  | 1  | 1  | 0       | 1  | 1  | 0  | 1             | 1  | 1  | 0  |
| 1 6            | 1      | 1  | 1  | 1  | 0  | 1       | 0  | 1  | 1  | 1     | 1  | 0  | 1  | 0       | 1  | 0  | 1  | 1             | 1  | 0  | 0  |
| 1 7            | 1      | 1  | 1  | 1  | 0  | 0       | 1  | 1  | 1  | 1     | 0  | 1  | 1  | 0       | 1  | 0  | 1  | 0             | 1  | 0  | 0  |
| 1 8            | 1      | 1  | 1  | 1  | 0  | 0       | 0  | 1  | 1  | 1     | 0  | 0  | 1  | 0       | 0  | 1  | 0  | 1             | 0  | 0  | 0  |
| 1 9            | 1      | 1  | 1  | 0  | 1  | 1       | 1  | 1  | 1  | 1     | 1  | 1  | 0  | 1       | 1  | 0  | 1  | 1             | 1  | 0  | 0  |
| 1 10           | 1      | 1  | 1  | 0  | 1  | 1       | 0  | 1  | 1  | 1     | 0  | 1  | 1  | 0       | 1  | 0  | 1  | 1             | 1  | 0  | 0  |
| 2 1            | 1      | 1  | 1  | 0  | 1  | 1       | 0  | 1  | 1  | 1     | 0  | 1  | 1  | 0       | 1  | 0  | 1  | 1             | 0  | 0  | 0  |
| 2 2            | 1      | 1  | 1  | 0  | 1  | 0       | 0  | 1  | 1  | 1     | 0  | 0  | 1  | 0       | 0  | 0  | 1  | 1             | 0  | 0  | 0  |
| 2 3            | 1      | 1  | 1  | 0  | 0  | 1       | 1  | 1  | 1  | 1     | 1  | 1  | 0  | 1       | 1  | 0  | 1  | 1             | 1  | 0  | 0  |
| 2 4            | 1      | 1  | 1  | 0  | 0  | 1       | 0  | 1  | 1  | 1     | 1  | 0  | 1  | 0       | 1  | 0  | 1  | 1             | 0  | 0  | 0  |
| 2 5            | 1      | 1  | 1  | 0  | 0  | 1       | 0  | 1  | 1  | 1     | 0  | 1  | 1  | 0       | 1  | 0  | 1  | 1             | 0  | 0  | 0  |
| 2 6            | 1      | 1  | 1  | 0  | 0  | 1       | 0  | 1  | 1  | 1     | 0  | 0  | 1  | 0       | 0  | 1  | 0  | 1             | 0  | 0  | 0  |
| 2 7            | 1      | 1  | 1  | 0  | 1  | 1       | 1  | 1  | 1  | 1     | 1  | 1  | 0  | 1       | 1  | 0  | 1  | 1             | 1  | 0  | 0  |
| 2 8            | 1      | 1  | 1  | 0  | 1  | 1       | 1  | 1  | 1  | 1     | 1  | 1  | 0  | 1       | 1  | 0  | 1  | 1             | 1  | 0  | 0  |
| 2 9            | 1      | 1  | 1  | 0  | 1  | 1       | 0  | 1  | 1  | 1     | 0  | 1  | 1  | 0       | 1  | 0  | 1  | 1             | 0  | 0  | 0  |
| 2 10           | 1      | 1  | 1  | 0  | 1  | 0       | 0  | 1  | 1  | 1     | 0  | 0  | 1  | 0       | 1  | 1  | 0  | 1             | 0  | 0  | 0  |
| 3 1            | 1      | 1  | 1  | 0  | 1  | 0       | 1  | 1  | 1  | 1     | 1  | 1  | 1  | 0       | 1  | 1  | 0  | 1             | 1  | 0  | 0  |
| 3 2            | 1      | 1  | 1  | 0  | 1  | 0       | 1  | 1  | 1  | 1     | 0  | 1  | 1  | 0       | 1  | 0  | 1  | 1             | 0  | 0  | 0  |
| 3 3            | 1      | 1  | 1  | 0  | 1  | 0       | 0  | 1  | 1  | 1     | 0  | 1  | 1  | 0       | 1  | 1  | 0  | 1             | 0  | 0  | 0  |
| 3 4            | 1      | 1  | 1  | 0  | 1  | 0       | 0  | 1  | 1  | 1     | 0  | 0  | 1  | 0       | 0  | 1  | 0  | 1             | 0  | 0  | 0  |
| 3 5            | 1      | 1  | 1  | 0  | 0  | 1       | 1  | 1  | 1  | 1     | 1  | 1  | 1  | 0       | 1  | 1  | 0  | 1             | 1  | 0  | 0  |
| 3 6            | 1      | 1  | 1  | 0  | 0  | 1       | 0  | 1  | 1  | 1     | 1  | 0  | 1  | 0       | 1  | 0  | 1  | 1             | 0  | 0  | 0  |
| 3 7            | 1      | 1  | 1  | 0  | 0  | 1       | 0  | 1  | 1  | 1     | 0  | 1  | 1  | 0       | 1  | 1  | 0  | 1             | 1  | 0  | 0  |
| 3 8            | 1      | 1  | 1  | 0  | 0  | 1       | 0  | 1  | 1  | 1     | 0  | 0  | 1  | 0       | 1  | 0  | 1  | 0             | 1  | 0  | 0  |
| 3 9            | 1      | 1  | 1  | 0  | 0  | 0       | 1  | 1  | 1  | 1     | 0  | 1  | 1  | 0       | 0  | 0  | 1  | 0             | 0  | 0  | 0  |
| 3 10           | 1      | 1  | 1  | 0  | 0  | 0       | 1  | 0  | 1  | 1     | 1  | 0  | 1  | 0       | 1  | 0  | 1  | 1             | 1  | 0  | 0  |
| 4 1            | 1      | 1  | 1  | 0  | 0  | 0       | 0  | 1  | 1  | 1     | 0  | 1  | 1  | 0       | 1  | 0  | 1  | 0             | 1  | 0  | 0  |
| 4 2            | 1      | 1  | 1  | 0  | 0  | 0       | 0  | 0  | 1  | 1     | 0  | 0  | 1  | 0       | 0  | 0  | 1  | 0             | 0  | 0  | 0  |
| 4 3            | 1      | 1  | 1  | 0  | 1  | 1       | 1  | 1  | 1  | 1     | 1  | 1  | 1  | 0       | 1  | 1  | 0  | 1             | 1  | 0  | 0  |
| 4 4            | 1      | 0  | 1  | 1  | 1  | 1       | 1  | 0  | 1  | 1     | 1  | 0  | 1  | 0       | 1  | 0  | 0  | 1             | 1  | 0  | 0  |
| 4 5            | 1      | 0  | 1  | 1  | 1  | 1       | 0  | 1  | 1  | 1     | 0  | 1  | 1  | 0       | 0  | 1  | 0  | 1             | 0  | 0  | 0  |
| 4 6            | 1      | 0  | 1  | 1  | 1  | 0       | 0  | 1  | 1  | 1     | 0  | 0  | 1  | 0       | 0  | 0  | 1  | 0             | 0  | 0  | 0  |
| 4 7            | 1      | 0  | 1  | 1  | 0  | 1       | 1  | 1  | 1  | 1     | 1  | 1  | 1  | 0       | 1  | 1  | 0  | 1             | 1  | 0  | 0  |
| 4 8            | 1      | 0  | 1  | 1  | 0  | 1       | 1  | 1  | 1  | 1     | 0  | 1  | 1  | 0       | 1  | 1  | 0  | 1             | 1  | 0  | 0  |
| 4 9            | 1      | 0  | 1  | 1  | 0  | 0       | 1  | 1  | 1  | 1     | 0  | 1  | 1  | 0       | 1  | 1  | 0  | 1             | 1  | 0  | 0  |
| 4 10           | 1      | 0  | 1  | 1  | 0  | 0       | 0  | 1  | 1  | 1     | 0  | 0  | 1  | 0       | 0  | 0  | 1  | 0             | 0  | 0  | 0  |
| 5 1            | 1      | 0  | 1  | 0  | 1  | 1       | 1  | 1  | 1  | 1     | 1  | 1  | 1  | 0       | 1  | 1  | 0  | 1             | 1  | 0  | 0  |
| 5 2            | 1      | 0  | 1  | 0  | 1  | 1       | 0  | 1  | 1  | 1     | 1  | 0  | 1  | 0       | 1  | 0  | 1  | 1             | 0  | 0  | 0  |
| 5 3            | 1      | 0  | 1  | 0  | 1  | 0       | 1  | 1  | 1  | 1     | 0  | 1  | 1  | 0       | 1  | 0  | 1  | 0             | 1  | 0  | 0  |
| 5 4            | 1      | 0  | 1  | 0  | 1  | 0       | 0  | 1  | 1  | 1     | 0  | 0  | 1  | 0       | 0  | 0  | 1  | 0             | 0  | 0  | 0  |
| 5 5            | 1      | 0  | 1  | 0  | 0  | 1       | 1  | 1  | 1  | 1     | 1  | 1  | 1  | 0       | 1  | 1  | 0  | 1             | 1  | 0  | 0  |
| 5 6            | 1      | 0  | 1  | 0  | 0  | 1       | 0  | 1  | 1  | 1     | 0  | 1  | 1  | 0       | 1  | 1  | 0  | 1             | 1  | 0  | 0  |
| 5 7            | 1      | 0  | 1  | 0  | 0  | 0       | 0  | 1  | 1  | 1     | 0  | 1  | 1  | 0       | 1  | 1  | 0  | 1             | 1  | 0  | 0  |
| 5 8            | 1      | 0  | 1  | 0  | 0  | 0       | 0  | 1  | 1  | 1     | 0  | 0  | 1  | 0       | 0  | 1  | 0  | 1             | 0  | 0  | 0  |
| 5 9            | 1      | 0  | 0  | 1  | 1  | 1       | 1  | 1  | 1  | 1     | 1  | 1  | 1  | 0       | 1  | 1  | 0  | 1             | 1  | 0  | 0  |
| 5 10           | 1      | 0  | 0  | 1  | 1  | 1       | 0  | 1  | 1  | 1     | 1  | 0  | 1  | 0       | 1  | 0  | 1  | 1             | 0  | 0  | 0  |
| 6 1            | 1      | 0  | 0  | 0  | 1  | 1       | 1  | 1  | 1  | 1     | 0  | 1  | 1  | 0       | 1  | 0  | 1  | 1             | 0  | 0  | 0  |
| 6 2            | 1      | 0  | 0  | 0  | 1  | 1       | 0  | 0  | 1  | 1     | 0  | 0  | 1  | 0       | 0  | 0  | 1  | 0             | 0  | 0  | 0  |
| 6 3            | 1      | 0  | 0  | 0  | 1  | 0       | 1  | 1  | 1  | 1     | 1  | 1  | 1  | 0       | 1  | 1  | 0  | 1             | 1  | 0  | 0  |
| 6 4            | 1      | 0  | 0  | 0  | 1  | 0       | 1  | 1  | 1  | 1     | 0  | 1  | 1  | 0       | 1  | 0  | 1  | 1             | 0  | 0  | 0  |
| 6 5            | 1      | 0  | 0  | 0  | 1  | 0       | 0  | 1  | 1  | 1     | 0  | 0  | 1  | 0       | 0  | 1  | 1  | 1             | 0  | 0  | 0  |
| 6 6            | 1      | 0  | 0  | 0  | 1  | 0       | 0  | 1  | 1  | 1     | 0  | 0  | 1  | 0       | 1  | 1  | 0  | 1             | 0  | 0  | 0  |
| 6 7            | 1      | 0  | 0  | 0  | 1  | 1       | 1  | 1  | 1  | 1     | 1  | 1  | 1  | 0       | 1  | 1  | 0  | 1             | 1  | 0  | 0  |
| 6 8            | 1      | 0  | 0  | 0  | 1  | 1       | 0  | 1  | 1  | 1     | 1  | 0  | 1  | 0       | 1  | 0  | 0  | 1             | 0  | 0  | 0  |
| 6 9            | 1      | 0  | 0  | 0  | 1  | 0       | 1  | 1  | 1  | 1     | 0  | 1  | 1  | 0       | 1  | 0  | 1  | 0             | 1  | 0  | 0  |
| 6 10           | 1      | 0  | 0  | 0  | 1  | 0       | 0  | 1  | 1  | 1     | 0  | 0  | 1  | 0       | 0  | 0  | 1  | 0             | 0  | 0  | 0  |
| 7 1            | 1      | 0  | 0  | 0  | 0  | 1       | 1  | 1  | 1  | 1     | 1  | 1  | 1  | 0       | 1  | 1  | 0  | 1             | 1  | 0  | 0  |
| 7 2            | 1      | 0  | 0  | 0  | 0  | 0       | 1  | 0  | 1  | 1     | 0  | 1  | 1  | 0       | 1  | 0  | 0  | 1             | 1  | 0  | 0  |
| 7 3            | 1      | 0  | 0  | 0  | 0  | 0       | 0  | 1  | 1  | 1     | 0  | 1  | 1  | 0       | 0  | 1  | 0  | 1             | 0  | 0  | 0  |
| 7 4            | 0      | 1  | 1  | 1  | 1  | 1       | 1  | 1  | 1  | 1     | 1  | 1  | 1  | 0       | 1  | 1  | 0  | 1             | 1  | 0  | 0  |
| 7 5            | 0      | 1  | 1  | 1  | 1  | 1       | 1  | 1  | 1  | 1     | 1  | 1  | 1  | 0       | 1  | 1  | 0  | 1             | 1  | 0  | 0  |
| 7 6            | 0      | 1  | 1  | 1  | 1  | 1       | 0  | 1  | 1  | 1     | 1  | 1  | 1  | 0       | 1  | 0  | 1  | 1             | 0  | 0  | 0  |
| 7 7            | 0      | 1  | 1  | 1  | 1  | 0       | 0  | 1  | 1  | 1     | 0  | 1  | 1  | 0       | 1  | 0  | 1  | 1             | 0  | 0  | 0  |
| 7 8            | 0      | 1  | 1  | 1  | 1  | 0       | 0  | 1  | 1  | 1     | 0  | 0  | 1  | 0       | 0  | 0  | 1  | 0             | 0  | 0  | 0  |
| 7 9            | 0      | 1  | 1  | 1  | 0  | 1       | 1  | 1  | 1  | 1     | 1  | 1  | 1  | 0       | 1  | 1  | 0  | 1             | 1  | 0  | 0  |
| 7 10           | 0      | 1  | 1  | 1  | 0  | 1       | 0  | 1  | 1  | 1     | 1  | 0  | 1  | 0       | 1  | 0  | 1  | 1             | 0  | 0  | 0  |
| 8 1            | 0      | 1  | 1  | 1  | 0  | 0       | 1  | 1  | 1  | 1     | 0  | 1  | 1  | 0       | 0  | 1  | 0  | 1             | 0  | 0  | 0  |
| 8 2            | 0      | 1  | 1  | 1  | 0  | 0       | 0  | 1  | 1  | 1     | 0  | 0  | 1  | 0       | 0  | 0  | 1  | 0             | 0  | 0  | 0  |
| 8 3            | 0      | 1  | 1  | 0  | 1  | 1       | 1  | 1  | 1  | 1     | 1  | 1  | 1  | 0       | 1  | 1  | 0  | 1             | 0  | 0  | 0  |
| 8 4            | 0      | 1  | 1  | 0  | 1  | 1       | 0  | 1  | 1  | 1     | 0  | 1  | 1  | 0       | 1  | 0  | 1  | 1             | 0  | 0  | 0  |
| 8 5            | 0      | 1  | 1  | 0  | 1  | 0       | 1  | 1  | 1  | 1     | 0  | 0  | 1  | 0       | 0  | 0  | 1  | 0             | 0  | 0  | 0  |
| 8 6            | 0      | 1  | 1  | 0  | 1  | 0       | 0  | 1  | 1  | 1     | 0  | 0  | 1  | 0       | 0  | 0  | 1  | 0             | 0  | 0  | 0  |
| 8 7            | 0      | 1  | 1  | 0  | 0  | 1       | 1  | 1  | 1  | 1     | 1  | 1  | 1  | 0       | 1  | 1  | 0  | 1             | 1  | 0  | 0  |
| 8 8            | 0      | 1  | 1  | 0  | 0  | 1       | 0  | 1  | 1  | 1     | 1  | 0  | 1  | 0       | 1  | 0  | 0  | 1             | 0  | 0  | 0  |
| 8 9            | 0      | 1  | 1  | 0  | 0  | 0       | 1  | 1  | 1  | 1     | 0  | 1  | 1  | 0       | 1  | 0  | 1  | 0             | 1  | 0  | 0  |
| 8 10           | 0      | 1  | 1  | 0  | 0  | 0       | 0  | 1  | 1  | 1     | 0  | 0  | 1  | 0       | 0  | 0  | 1  | 0             | 0  | 0  | 0  |
| 9 1            | 0      | 1  | 0  | 1  | 1  | 1       | 1  | 1  | 1  | 1     | 1  | 1  | 1  | 0       | 1  | 1  | 0  | 1             | 1  | 0  | 0  |
| 9 2            | 0      | 1  | 0  | 1  | 1  | 1       | 0  | 1  | 1  | 1     | 1  | 0  | 1  | 0       | 1  | 0  | 1  | 1             | 0  | 0  | 0  |
| 9 3            | 0      | 1  | 0  | 1  | 1  | 0       | 1  | 1  | 1  | 1     | 0  | 1  | 1  | 0       | 1  | 0  | 1  | 1             | 0  | 0  | 0  |
| 9 4            | 0      | 1  | 0  | 1  | 1  | 0       | 0  | 1  | 1  | 1     | 0  | 0  | 1  | 0       | 0  | 0  | 1  | 1             | 0  | 0  | 0  |
| 9 5            | 0      | 1  | 0  | 1  | 0  | 1       | 1  | 1  | 1  | 1     | 1  | 1  | 1  | 0       | 1  | 1  | 0  | 1             | 1  | 0  | 0  |
| 9 6            | 0      | 1  | 0  | 1  | 0  | 1       | 0  | 1  | 1  | 1     | 1  | 0  | 1  | 0       | 1  | 0  | 1  | 1             | 0  | 0  | 0  |
| 9 7            | 0      | 1  | 0  | 1  | 0  | 0       | 1  | 1  |    |       |    |    |    |         |    |    |    |               |    |    |    |



**SECTION 11**  
**INTERFACE DRIVERS**

# Display Driver Selection Guide

## LED DRIVERS

| NO. OF DRIVERS             | DEVICE TYPE | INPUT COMPATIBILITY | VOUT MAX (V) | IOUT (mA) |        | NO. OF PINS | INPUT CODE | INVERTING | RECOMMENDED APPLICATION                    | COMMENTS  |
|----------------------------|-------------|---------------------|--------------|-----------|--------|-------------|------------|-----------|--|---|
|                            |             |                     |              | SINK      | SOURCE |             |            |           |  |   |
| <b>LED SEGMENT DRIVERS</b> |             |                     |              |           |        |             |            |           |  |   |
| 4                          | DS8895      | MOS                 | 10           | 17        | 16     |             |            | No        |  | IOUT Internally Set<br>*Inverting with Emitter Grounded                                     |
|                            | DS75491     | MOS                 | 10           | 50        | 14     |             |            | *         |  |   |
|                            | DS75493     | MOS                 | 10           | 30        | 16     |             |            | No        |  | 4-Digit Counter/Driver with Multiplexed 7-Segment Output Drivers and 4-Digit Enable Drivers |
|                            | MM74C925    | CMOS                | 6.5          | 40        | 16     |             | Clock      |           |  | 4-Digit Counter/Driver with Multiplexed 7-Segment Output Drivers and 4-Digit Enable Drivers |
|                            | MM74C926    | CMOS                | 6.5          | 40        | 18     |             | Clock      |           |  | 4-Digit Counter/Driver with Multiplexed 7-Segment Output Drivers and 4-Digit Enable Drivers |
|                            | MM74C927    | CMOS                | 6.5          | 40        | 18     |             | Clock      |           |  | 4-Digit Counter/Driver with Multiplexed 7-Segment Output Drivers and 4-Digit Enable Drivers |
|                            | MM74C928    | CMOS                | 6.5          | 40        | 18     |             | Clock      |           |  | 4-Digit Counter/Driver with Multiplexed 7-Segment Output Drivers and 4-Digit Enable Drivers |
| 5                          | DS8861      | MOS                 | 10           | 50        | 18     |             |            | *         |  | *Inverting with Emitter Grounded  |
| 7                          | MM74C48     | CMOS                | 18           | 20        | 16     |             | BCD        |           |  | 4-Bit Storage   |
|                            | CD4511      | CMOS                | 18           | 20        | 16     |             | BCD        |           |  |   |
|                            | DM7446A     | TTL                 | 30           | 40        | 16     |             | BCD        |           |  |   |
|                            | DM7447A     | TTL                 | 15           | 40        | 16     |             | BCD        |           |  |   |
|                            | DM7448      | TTL                 | 5.5          | 6         | 16     |             | BCD        |           |  |   |
|                            | DM74LS47    | TTL                 | 15           | 24        | 16     |             | BCD        |           |  |   |
|                            | DM74LS48    | TTL                 | 5.5          | 6         | 16     |             | BCD        |           |  |   |
|                            | DM74LS49    | TTL                 | 5.5          | 8         | 14     |             | BCD        |           |  |   |
|                            | DM74LS247   | TTL                 | 15           | 24        | 16     |             | BCD        |           |  |   |
|                            | DM74LS248   | TTL                 | 5.5          | 6         | 16     |             | BCD        |           |  |   |
|                            | DM74LS249   | TTL                 | 5.5          | 8         | 16     |             | BCD        |           |  |   |
|                            | DS8659      | CMOS                | 5            | 10        | Dice   |             |            |           | Yes  | CMOS Watches  |
|                            | DS8856      | TTL                 | 5.5          | 6         | 16     |             | BCD        |           |  |   |
|                            | DS8857      | TTL                 | 5.5          | 50        | 16     |             | BCD        |           |  | Requires External Transistor  |
| DS8858                     | TTL         | 5.5                 | 50           | 16        |        | BCD         |            |           | IOUT Internally Set<br>IOUT Externally Set |   |
| 8                          | DS8857      | MOS                 | 10           | 14        | 18     |             |            | No        |  |   |
| 9                          | DS8647      | CMOS                | 5            | 10        | Dice   |             |            | Yes       |  | CMOS Watches  |
|                            | DS8648      | CMOS                | 5            | 10        | Dice   |             |            | No        |  | CMOS Watches  |
| <b>LED DIGIT DRIVERS</b>   |             |                     |              |           |        |             |            |           |  |   |
| 4                          | DS8638      | MOS                 | 5            | 100       | Dice   |             |            | Yes       |  | CMOS Watches  |
| 6                          | DS8646      | MOS                 | 5            | 100       | Dice   |             |            | Yes       |  | CMOS Watches  |
|                            | DS8870      | MOS                 | 10           | 350       | 14     |             |            | Yes       |  | DS75492 Pin-Out   |
|                            | DS8877      | MOS                 | 10           | 50        | 14     |             |            | Yes       |  | DS75492 Pin-Out   |
|                            | DS8892      | MOS                 | 8.8          | 200       | 16     |             |            | Yes       |  | DS75494 Pin-Out, Programmable Output Current  |

| NO. OF DRIVERS                | DEVICE TYPE | INPUT COMPATIBILITY | VOUT MAX (V) | IOUT (mA) |        | NO. OF PINS | INPUT CODE   | INVERTING | RECOMMENDED APPLICATION | COMMENTS                                    |
|-------------------------------|-------------|---------------------|--------------|-----------|--------|-------------|--------------|-----------|-------------------------|---|
|                               |             |                     |              | SINK      | SOURCE |             |              |           |                         |   |
| LED DIGIT DRIVERS (continued) |             |                     |              |           |        |             |              |           |                         |   |
| 6                             | DS75492     | MOS                 | 10           | 250       |        | 14          |              | Yes       |                         | Enable Control                              |
|                               | DS75494     | MOS                 | 10           | 150       |        | 16          |              | Yes       |                         | 9V Low Battery Indicator                    |
| 7                             | DS8977      | MOS                 | 8            | 40        |        | 18          |              | Yes       |                         | DS8963 Pin-Out                              |
|                               | DS8863      | MOS                 | 10           | 500       |        | 18          |              | Yes       |                         |   |
| 8                             | DS8871      | MOS                 | 8            | 40        |        | 18          |              | Yes       |                         | Calc. Display Driver                        |
|                               | DS8963      | MOS                 | 18           | 500       |        | 18          |              | Yes       |                         | Calc. Display Driver                        |
| 9                             | DS8872      | MOS                 | 8            | 40        |        | 22          |              | Yes       |                         | Calc. Display Driver                        |
|                               | DS8873      | MOS                 | 8            | 40        |        | 22          |              | Yes       |                         | 9V Low Battery Indicator                    |
| 10                            | DS8874      | MOS                 | 10           | 50        |        | 14          |              | Yes       |                         | Serial Data Input                           |
|                               | DS8973      | MOS                 | 10           | 100       |        | 22          |              | Yes       |                         | 3-Cell Operation—Low Battery Indicator      |
| 11                            | DS8974      | MOS                 | 10           | 100       |        | 22          |              | Yes       |                         | 4-Cell Operation—Low Battery Indicator      |
|                               | DS8975      | MOS                 | 10           | 100       |        | 22          |              | Yes       |                         | 6-Cell Operation—Low Battery Indicator      |
| 12                            | DS8976      | MOS                 | 10           | 100       |        | 22          |              | Yes       |                         | 3-Cell Operation—Low Battery Indicator      |
|                               | DS8868      | MOS                 | 9            | 110       |        | 18          | 4-Line Coded |           |                         | 3-Cell Operation—Low Battery Indicator      |
| 14                            | DS8664      | MOS                 | 10           | 80        |        | 24          | BCD          |           |                         | Low Battery Indicator—On Circuit Oscillator |
|                               | DS8665      | MOS                 | 10           |           | 13     |             | BCD          |           |                         | On Circuit Oscillator                       |
| 15                            | DS8666      | MOS                 | 10           | 80        | 13     |             | BCD          |           |                         | 6 Sink Drivers, 8 Source Drivers            |
|                               | DS8881      |                     |              |           |        |             |              |           |                         | Point of Sale                               |

GAS DISCHARGE AND VACUUM FLUORESCENT DISPLAY DRIVERS

| DEVICE   | DESCRIPTION  | APPLICATION  |
|----------|--|--|
| DS8880   | High Voltage 7-Segment Decoder/Driver                                | Beckman and Panaplex II Gas Discharge Displays                 |
| DS8884A  | High Voltage 7-Segment Decoder/Driver (with Comma and Decimal Point) | Beckman and Panaplex II Gas Discharge Displays                 |
| DS8885   | MOS to High Voltage Cathode Buffer                                   | MOS to 7-Segment Gas Filled Displays                           |
| DS8887   | 8-Digit High Voltage Anode Driver (Active High Inputs)               | 7-Segment Gas Discharge Panels (Multiplexed)                   |
| DS8889   | 8-Segment High Voltage Cathode Driver                                | High Voltage Gas Filled Display Tube (Constant Output Current) |
| DS8897   | 8-Digit High Voltage Anode Driver (Active Low Inputs)                | 7-Segment Gas Discharge Panels (Multiplexed)                   |
| DS8891   | 6-Digit High Voltage Anode Driver                                    | 7-Segment Gas Discharge Panels (Multiplexed)                   |
| DM17441A | BCD to Decimal Decoder-Nixie Driver                                  | Gas Filled Nixie Displays                                      |
| DS8881   | 16-Digit Vacuum Fluorescent Display Driver                           | Vacuum Fluorescent Display Systems                             |



CD4511BM/CD4511BC BCD-to-7 segment latch/decoder/driver

general description

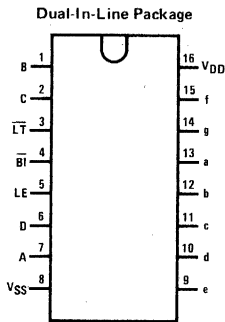
The CD4511BM/CD4511BC BCD-to-7-segment latch/decoder/driver is constructed with complementary MOS (CMOS) enhancement mode devices and NPN bipolar output drivers in a single monolithic structure. The circuit provides the functions of a 4-bit storage latch, an 8421 BCD-to-7-segment decoder, and an output drive capability. Lamp test (LT), blanking (BI), and latch enable (LE) inputs are used to test the display, to turn "OFF" or pulse modulate the brightness of the display, and to store a BCD code, respectively. It can be used with 7-segment light emitting diodes (LED), incandescent, fluorescent, gas discharge, or liquid crystal readouts either directly or indirectly.

Applications include instrument (e.g., counter, DVM, etc.) display driver, computer/calculator display driver, cockpit display driver, and various clock, watch, and timer uses.

features

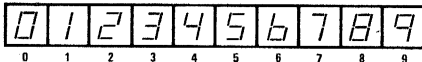
- Wide supply voltage range 3.0V to 15V
- High noise immunity 0.45 V<sub>DD</sub> typ
- Low power TTL compatibility fan out of 2 driving 74L or 1 driving 74LS
- Low logic circuit power dissipation
- High current sourcing outputs (up to 25 mA)
- Latch storage of code
- Blanking input
- Lamp test provision
- Readout blanking on all illegal input combinations
- Lamp intensity modulation capability
- Time share (multiplexing) facility
- Equivalent to Motorola MC14511

connection diagram



TOP VIEW  
Order Number CD4511BMN or CD4511BCN  
See Package 19

Display



Segment Identification



truth table

| INPUTS |    |    |   |   | OUTPUTS |   |   |   |   |   |   |   |   |         |
|--------|----|----|---|---|---------|---|---|---|---|---|---|---|---|---------|
| LE     | BI | LT | D | C | B       | A | a | b | c | d | e | f | g | DISPLAY |
| X      | X  | 0  | X | X | X       | X | 1 | 1 | 1 | 1 | 1 | 1 | 1 | 8       |
| X      | 0  | 1  | X | X | X       | X | 0 | 0 | 0 | 0 | 0 | 0 | 0 |         |
| 0      | 1  | 1  | 0 | 0 | 0       | 0 | 1 | 1 | 1 | 1 | 1 | 1 | 0 | 0       |
| 0      | 1  | 1  | 0 | 0 | 0       | 1 | 0 | 1 | 1 | 0 | 0 | 0 | 0 | 1       |
| 0      | 1  | 1  | 0 | 0 | 1       | 0 | 1 | 1 | 0 | 1 | 1 | 0 | 1 | 2       |
| 0      | 1  | 1  | 0 | 0 | 1       | 1 | 1 | 1 | 1 | 0 | 0 | 1 | 1 | 3       |
| 0      | 1  | 1  | 0 | 1 | 0       | 0 | 0 | 1 | 1 | 0 | 0 | 1 | 1 | 4       |
| 0      | 1  | 1  | 0 | 1 | 0       | 1 | 1 | 0 | 1 | 1 | 0 | 1 | 1 | 5       |
| 0      | 1  | 1  | 0 | 1 | 1       | 0 | 0 | 0 | 1 | 1 | 1 | 1 | 1 | 6       |
| 0      | 1  | 1  | 0 | 1 | 1       | 1 | 1 | 1 | 0 | 0 | 0 | 0 | 0 | 7       |
| 0      | 1  | 1  | 1 | 0 | 0       | 0 | 1 | 1 | 1 | 1 | 1 | 1 | 1 | 8       |
| 0      | 1  | 1  | 1 | 0 | 0       | 1 | 1 | 1 | 1 | 0 | 0 | 1 | 1 | 9       |
| 0      | 1  | 1  | 1 | 0 | 1       | 0 | 0 | 0 | 0 | 0 | 0 | 0 | 0 |         |
| 0      | 1  | 1  | 1 | 1 | 0       | 0 | 0 | 0 | 0 | 0 | 0 | 0 | 0 |         |
| 0      | 1  | 1  | 1 | 1 | 1       | 0 | 0 | 0 | 0 | 0 | 0 | 0 | 0 |         |
| 0      | 1  | 1  | 1 | 1 | 1       | 1 | 0 | 0 | 0 | 0 | 0 | 0 | 0 |         |
| 0      | 1  | 1  | 1 | 1 | 1       | 1 | 0 | 0 | 0 | 0 | 0 | 0 | 0 |         |
| 1      | 1  | 1  | X | X | X       | X |   |   |   | * |   |   |   | *       |

\*Depends upon the BCD code applied during the 0 to 1 transition of L.E.  
X = Don't care

**absolute maximum ratings**

(Notes 1 and 2)

|   |   |
|---|---|
| V <sub>DD</sub> dc Supply Voltage                       | -0.5 to +18 V <sub>DC</sub>                   |
| V <sub>IN</sub> Input Voltage                           | -0.5 to V <sub>DD</sub> + 0.5 V <sub>DC</sub> |
| T <sub>S</sub> Storage Temperature Range                | -65°C to +150°C                               |
| P <sub>D</sub> Package Dissipation                      | 500 mW  |
| T <sub>L</sub> Lead Temperature (Soldering, 10 seconds) | 300°C   |

**recommended operating conditions**

(Note 2)

|  |                                      |
|--|--------------------------------------|
| V <sub>DD</sub> dc Supply Voltage          | 3 to 15 V <sub>DC</sub>              |
| V <sub>IN</sub> Input Voltage              | 0 to V <sub>DD</sub> V <sub>DC</sub> |
| T <sub>A</sub> Operating Temperature Range | -55°C to +125°C                      |
| CD4511BM                                   | -40°C to +85°C                       |
| CD4511BC                                   |                                      |

**dc electrical characteristics** CD4511BM (Note 2)

| PARAMETER                                      | CONDITIONS  | -55°C |       | 25°C  |                   |       | 125°C |      | UNITS |
|--|---|-------|-------|-------|-------------------|-------|-------|------|-------|
|  |   | MIN   | MAX   | MIN   | TYP               | MAX   | MIN   | MAX  |       |
| I <sub>DD</sub> Quiescent Device Current       | V <sub>DD</sub> = 5V                                  |       | 5     |       |                   | 5     |       | 150  | μA    |
|  | V <sub>DD</sub> = 10V                                 |       | 10    |       |                   | 10    |       | 300  | μA    |
|  | V <sub>DD</sub> = 15V                                 |       | 20    |       |                   | 20    |       | 600  | μA    |
| V <sub>OL</sub> Low Level Output Voltage       | V <sub>DD</sub> = 5V                                  |       | 0.05  |       | 0                 | 0.05  |       | 0.05 | V     |
|  | V <sub>DD</sub> = 10V                                 |       | 0.05  |       | 0                 | 0.05  |       | 0.05 | V     |
|  | V <sub>DD</sub> = 15V                                 |       | 0.05  |       | 0                 | 0.05  |       | 0.05 | V     |
| V <sub>OH</sub> High Level Output Voltage      | V <sub>DD</sub> = 5V, I <sub>OH</sub> = 0 mA          | 4.1   |       | 4.1   | 4.57              |       | 4.1   |      | V     |
|  | V <sub>DD</sub> = 5V, I <sub>OH</sub> = 5 mA          |       |       |       | 4.24              |       |       |      | V     |
|  | V <sub>DD</sub> = 5V, I <sub>OH</sub> = 10 mA         | 3.9   |       | 3.9   | 4.12              |       | 3.5   |      | V     |
|  | V <sub>DD</sub> = 5V, I <sub>OH</sub> = 15 mA         |       |       |       | 3.94              |       |       |      | V     |
|  | V <sub>DD</sub> = 5V, I <sub>OH</sub> = 20 mA         | 3.4   |       | 3.4   | 3.75              |       | 3.0   |      | V     |
|  | V <sub>DD</sub> = 5V, I <sub>OH</sub> = 25 mA         |       |       |       | 3.54              |       |       |      | V     |
|  | V <sub>DD</sub> = 10V, I <sub>OH</sub> = 0 mA         | 9.1   |       | 9.1   | 9.58              |       | 9.1   |      | V     |
|  | V <sub>DD</sub> = 10V, I <sub>OH</sub> = 5 mA         |       |       |       | 9.26              |       |       |      | V     |
|  | V <sub>DD</sub> = 10V, I <sub>OH</sub> = 10 mA        | 9.0   |       | 9.0   | 9.17              |       | 8.6   |      | V     |
|  | V <sub>DD</sub> = 10V, I <sub>OH</sub> = 15 mA        |       |       |       | 9.04              |       |       |      | V     |
|  | V <sub>DD</sub> = 10V, I <sub>OH</sub> = 20 mA        | 8.6   |       | 8.6   | 8.9               |       | 8.2   |      | V     |
|  | V <sub>DD</sub> = 10V, I <sub>OH</sub> = 25 mA        |       |       |       | 8.75              |       |       |      | V     |
|  | V <sub>DD</sub> = 15V, I <sub>OH</sub> = 0 mA         | 14.1  |       | 14.1  | 14.59             |       | 14.1  |      | V     |
|  | V <sub>DD</sub> = 15V, I <sub>OH</sub> = 5 mA         |       |       |       | 14.27             |       |       |      | V     |
|  | V <sub>DD</sub> = 15V, I <sub>OH</sub> = 10 mA        | 14.0  |       | 14.0  | 14.18             |       | 13.6  |      | V     |
| V <sub>DD</sub> = 15V, I <sub>OH</sub> = 15 mA |   |       |       | 14.07 |                   |       |       | V    |       |
| V <sub>DD</sub> = 15V, I <sub>OH</sub> = 20 mA | 13.6  |       | 13.6  | 13.95 |                   | 13.2  |       | V    |       |
| V <sub>DD</sub> = 15V, I <sub>OH</sub> = 25 mA |   |       |       | 13.8  |                   |       |       | V    |       |
| V <sub>IL</sub> Low Level Input Voltage        | V <sub>DD</sub> = 5V, V <sub>O</sub> = 0.5V or 3.8V   |       | 1.5   |       | 2.25              | 1.5   |       | 1.5  | V     |
|  | V <sub>DD</sub> = 10V, V <sub>O</sub> = 1V or 8.8V    |       | 3.0   |       | 4.5               | 3.0   |       | 3.0  | V     |
|  | V <sub>DD</sub> = 15V, V <sub>O</sub> = 1.5V or 13.8V |       | 4.0   |       | 6.75              | 4.0   |       | 4.0  | V     |
| V <sub>IH</sub> High Level Input Voltage       | V <sub>DD</sub> = 5V, V <sub>O</sub> = 0.5V or 3.8V   | 3.5   |       | 3.5   | 2.75              |       | 3.5   |      | V     |
|  | V <sub>DD</sub> = 10V, V <sub>O</sub> = 1V or 8.8V    | 7.0   |       | 7.0   | 5.5               |       | 7.0   |      | V     |
|  | V <sub>DD</sub> = 15V, V <sub>O</sub> = 1.5V or 13.8V | 11.0  |       | 11.0  | 8.25              |       | 11.0  |      | V     |
| I <sub>OL</sub> Low Level Output Current       | V <sub>DD</sub> = 5V, V <sub>O</sub> = 0.4V           | 0.64  |       | 0.51  | 0.88              |       | 0.36  |      | mA    |
|  | V <sub>DD</sub> = 10V, V <sub>O</sub> = 0.5V          | 1.6   |       | 1.3   | 2.25              |       | 0.9   |      | mA    |
|  | V <sub>DD</sub> = 15V, V <sub>O</sub> = 1.5V          | 4.2   |       | 3.4   | 8.8               |       | 2.4   |      | mA    |
| I <sub>IN</sub> Input Current                  | V <sub>DD</sub> = 15V, V <sub>IN</sub> = 0V           |       | -0.10 |       | -10 <sup>-5</sup> | -0.10 |       | -1.0 | μA    |
|  | V <sub>DD</sub> = 15V, V <sub>IN</sub> = 15V          |       | 0.10  |       | 10 <sup>-5</sup>  | 0.10  |       | 1.0  | μA    |

**Note 1:** "Absolute Maximum Ratings" are those values beyond which the safety of the device cannot be guaranteed, they are not meant to imply that the devices should be operated at these limits. The table of "Recommended Operating Conditions" and "Electrical Characteristics" provides conditions for actual device operation.

**Note 2:** V<sub>SS</sub> = 0V unless otherwise specified.



dc electrical characteristics CD4511BC (Note 2)

| PARAMETER                                      | CONDITIONS  | -40°C |       | 25°C  |                   |      | 85°C  |      | UNITS |
|--|---|-------|-------|-------|-------------------|------|-------|------|-------|
|  |   | MIN   | MAX   | MIN   | TYP               | MAX  | MIN   | MAX  |       |
| I <sub>DD</sub> Quiescent Device Current       | V <sub>DD</sub> = 5V                                  |       | 20    |       |                   | 20   |       | 150  | μA    |
|  | V <sub>DD</sub> = 10V                                 |       | 40    |       |                   | 40   |       | 300  | μA    |
|  | V <sub>DD</sub> = 15V                                 |       | 80    |       |                   | 80   |       | 600  | μA    |
| V <sub>OL</sub> Low Level Output Voltage       | V <sub>DD</sub> = 5V                                  |       | 0.05  |       | 0                 | 0.05 |       | 0.05 | V     |
|  | V <sub>DD</sub> = 10V                                 |       | 0.05  |       | 0                 | 0.05 |       | 0.05 | V     |
|  | V <sub>DD</sub> = 15V                                 |       | 0.05  |       | 0                 | 0.05 |       | 0.05 | V     |
| V <sub>OH</sub> High Level Output Voltage      | V <sub>DD</sub> = 5V, I <sub>OH</sub> = 0 mA          | 4.1   |       | 4.1   | 4.57              |      | 4.1   |      | V     |
|  | V <sub>DD</sub> = 5V, I <sub>OH</sub> = 5 mA          |       |       |       | 4.24              |      |       |      | V     |
|  | V <sub>DD</sub> = 5V, I <sub>OH</sub> = 10 mA         | 3.6   |       | 3.6   | 4.12              |      | 3.3   |      | V     |
|  | V <sub>DD</sub> = 5V, I <sub>OH</sub> = 15 mA         |       |       |       | 3.94              |      |       |      | V     |
|  | V <sub>DD</sub> = 5V, I <sub>OH</sub> = 20 mA         | 2.8   |       | 2.8   | 3.75              |      | 2.5   |      | V     |
|  | V <sub>DD</sub> = 5V, I <sub>OH</sub> = 25 mA         |       |       |       | 3.54              |      |       |      | V     |
|  | V <sub>DD</sub> = 10V, I <sub>OH</sub> = 0 mA         | 9.1   |       | 9.1   | 9.58              |      | 9.1   |      | V     |
|  | V <sub>DD</sub> = 10V, I <sub>OH</sub> = 5 mA         |       |       |       | 9.26              |      |       |      | V     |
|  | V <sub>DD</sub> = 10V, I <sub>OH</sub> = 10 mA        | 8.75  |       | 8.75  | 9.17              |      | 8.45  |      | V     |
|  | V <sub>DD</sub> = 10V, I <sub>OH</sub> = 15 mA        |       |       |       | 9.04              |      |       |      | V     |
|  | V <sub>DD</sub> = 10V, I <sub>OH</sub> = 20 mA        | 8.1   |       | 8.1   | 8.9               |      | 7.8   |      | V     |
|  | V <sub>DD</sub> = 10V, I <sub>OH</sub> = 25 mA        |       |       |       | 8.75              |      |       |      | V     |
|  | V <sub>DD</sub> = 15V, I <sub>OH</sub> = 0 mA         | 14.1  |       | 14.1  | 14.59             |      | 14.1  |      | V     |
|  | V <sub>DD</sub> = 15V, I <sub>OH</sub> = 5 mA         |       |       |       | 14.27             |      |       |      | V     |
|  | V <sub>DD</sub> = 15V, I <sub>OH</sub> = 10 mA        | 13.75 |       | 13.75 | 14.18             |      | 13.45 |      | V     |
|  | V <sub>DD</sub> = 15V, I <sub>OH</sub> = 15 mA        |       |       |       | 14.07             |      |       |      | V     |
| V <sub>DD</sub> = 15V, I <sub>OH</sub> = 20 mA | 13.1  |       | 13.1  | 13.95 |                   | 12.8 |       | V    |       |
| V <sub>DD</sub> = 15V, I <sub>OH</sub> = 25 mA |   |       |       | 13.8  |                   |      |       | V    |       |
| V <sub>IL</sub> Low Level Input Voltage        | V <sub>DD</sub> = 5V, V <sub>O</sub> = 0.5V or 4.5V   |       | 1.5   |       | 2.25              | 1.5  |       | 1.5  | V     |
|  | V <sub>DD</sub> = 10V, V <sub>O</sub> = 1V or 9V      |       | 3.0   |       | 4.5               | 3.0  |       | 3.0  | V     |
|  | V <sub>DD</sub> = 15V, V <sub>O</sub> = 1.5V or 13.5V |       | 4.0   |       | 6.75              | 4.0  |       | 4.0  | V     |
| V <sub>IH</sub> High Level Input Voltage       | V <sub>DD</sub> = 5V, V <sub>O</sub> = 0.5V or 4.5V   | 3.5   |       | 3.5   | 2.75              |      | 3.5   |      | V     |
|  | V <sub>DD</sub> = 10V, V <sub>O</sub> = 1V or 9V      | 7.0   |       | 7.0   | 5.5               |      | 7.0   |      | V     |
|  | V <sub>DD</sub> = 15V, V <sub>O</sub> = 1.5V or 13.5V | 11.0  |       | 11.0  | 8.25              |      | 11.0  |      | V     |
| I <sub>OL</sub> Low Level Output Current       | V <sub>DD</sub> = 5V, V <sub>O</sub> = 0.4V           | 0.52  |       | 0.44  | 0.88              |      | 0.36  |      | mA    |
|  | V <sub>DD</sub> = 10V, V <sub>O</sub> = 0.5V          | 1.3   |       | 1.1   | 2.75              |      | 0.9   |      | mA    |
|  | V <sub>DD</sub> = 15V, V <sub>O</sub> = 1.5V          | 3.6   |       | 3.0   | 8.8               |      | 2.4   |      | mA    |
| I <sub>IN</sub> Input Current                  | V <sub>DD</sub> = 15V, V <sub>IN</sub> = 0V           |       | -0.30 |       | -10 <sup>-5</sup> | -0.3 |       | -1.0 | μA    |
|  | V <sub>DD</sub> = 15V, V <sub>IN</sub> = 15V          |       | 0.30  |       | 10 <sup>-5</sup>  | 0.3  |       | 1.0  | μA    |

**ac electrical characteristics**  $T_A = 25^\circ\text{C}$ ,  $C_L = 50\text{ pF}$ , unless otherwise specified

| PARAMETER                            | CONDITIONS  | MIN                   | TYP | MAX  | UNITS |
|--------------------------------------|---|-----------------------|-----|------|-------|
| t <sub>PHL</sub> or t <sub>PLH</sub> | Propagation Delay to a "1" or "0" on Segment Outputs From Data Inputs<br>(Figure 1a)                | V <sub>DD</sub> = 5V  | 550 | 1200 | ns    |
|                                      |   | V <sub>DD</sub> = 10V | 200 | 500  | ns    |
|                                      |   | V <sub>DD</sub> = 15V | 160 | 350  | ns    |
| t <sub>PHL</sub> or t <sub>PLH</sub> | Propagation Delay to a "0" on Segment Outputs From Blank ( $\overline{\text{BI}}$ )<br>(Figure 1a)  | V <sub>DD</sub> = 5V  | 350 | 700  | ns    |
|                                      |   | V <sub>DD</sub> = 10V | 140 | 280  | ns    |
|                                      |   | V <sub>DD</sub> = 15V | 110 | 220  | ns    |
| t <sub>PHL</sub> or t <sub>PLH</sub> | Propagation Delay to a "1" on Segment Outputs From Lamp Test ( $\overline{\text{LT}}$ ) (Figure 1a) | V <sub>DD</sub> = 5V  | 450 | 900  | ns    |
|                                      |   | V <sub>DD</sub> = 10V | 160 | 320  | ns    |
|                                      |   | V <sub>DD</sub> = 15V | 130 | 260  | ns    |
| t <sub>SET-UP</sub>                  | Set-Up Time<br>(Figure 1b)  | V <sub>DD</sub> = 5V  | 90  | 180  | ns    |
|                                      |   | V <sub>DD</sub> = 10V | 38  | 76   | ns    |
|                                      |   | V <sub>DD</sub> = 15V | 25  | 40   | ns    |
| t <sub>HOLD</sub>                    | Hold Time<br>(Figure 1b)  | V <sub>DD</sub> = 5V  | -90 | 0    | ns    |
|                                      |   | V <sub>DD</sub> = 10V | -38 | 0    | ns    |
|                                      |   | V <sub>DD</sub> = 15V | -20 | 0    | ns    |
| PW <sub>LE</sub>                     | Minimum Latch Enable Pulse Width<br>(Figure 1c)   | V <sub>DD</sub> = 5V  | 260 | 520  | ns    |
|                                      |   | V <sub>DD</sub> = 10V | 110 | 220  | ns    |
|                                      |   | V <sub>DD</sub> = 15V | 65  | 130  | ns    |
| t <sub>THL</sub>                     | Output Transition Time<br>(Figure 1a)   | V <sub>DD</sub> = 5V  | 125 | 250  | ns    |
|                                      |   | V <sub>DD</sub> = 10V | 75  | 150  | ns    |
|                                      |   | V <sub>DD</sub> = 15V | 65  | 130  | ns    |
| t <sub>TLH</sub>                     | Output Transition Time<br>(Figure 1a)   | V <sub>DD</sub> = 5V  | 35  | 80   | ns    |
|                                      |   | V <sub>DD</sub> = 10V | 25  | 60   | ns    |
|                                      |   | V <sub>DD</sub> = 15V | 20  | 50   | ns    |
| C <sub>IN</sub>                      | Average Input Capacitance   | Any Input             | 5   | 7.5  | pF    |

**switching time waveforms**

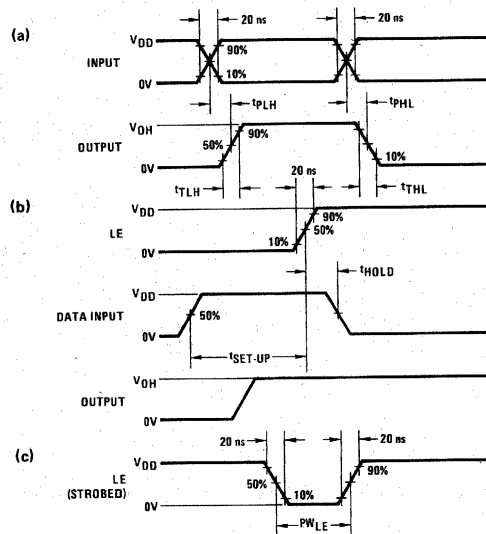
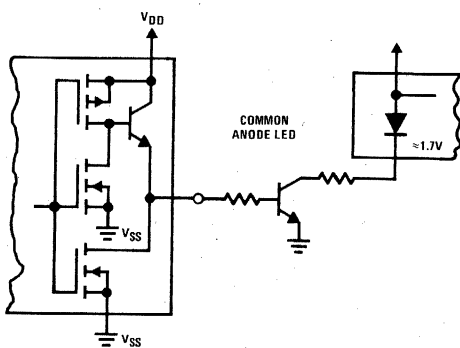
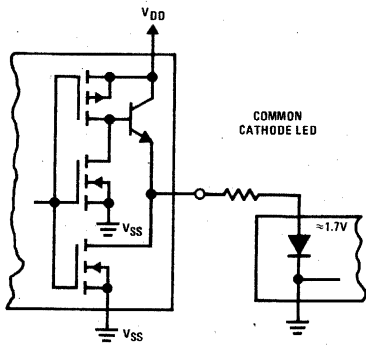


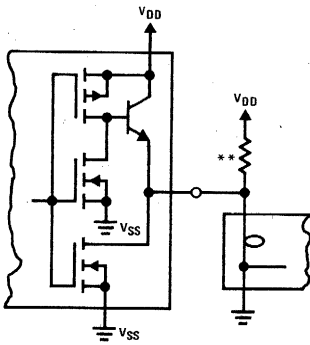
FIGURE 1

typical applications

Light Emitting Diode (LED) Readout

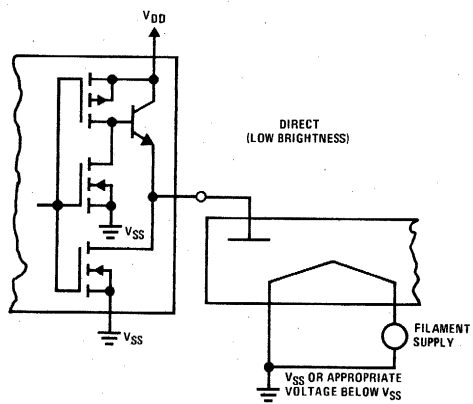


Incandescent Readout

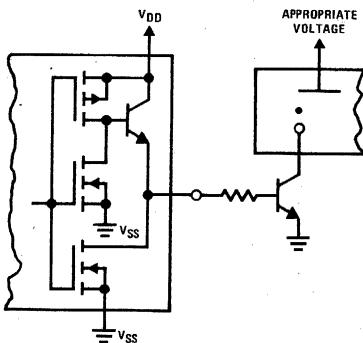


\*\*A filament pre-warm resistor is recommended to reduce filament thermal shock and increase the effective cold resistance of the filament.

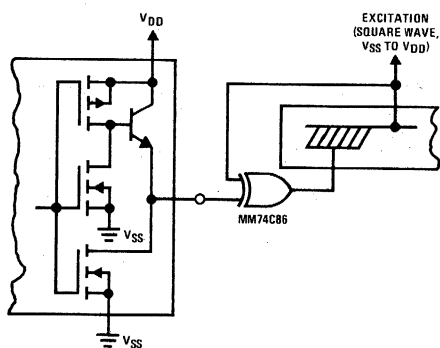
Flourescent Readout



Gas Discharge Readout



Liquid Crystal (LC) Readout



Direct dc drive of LC's not recommended for life of LC readouts.



## DS7664/DS8664 14-digit decoder/driver with low battery indicator

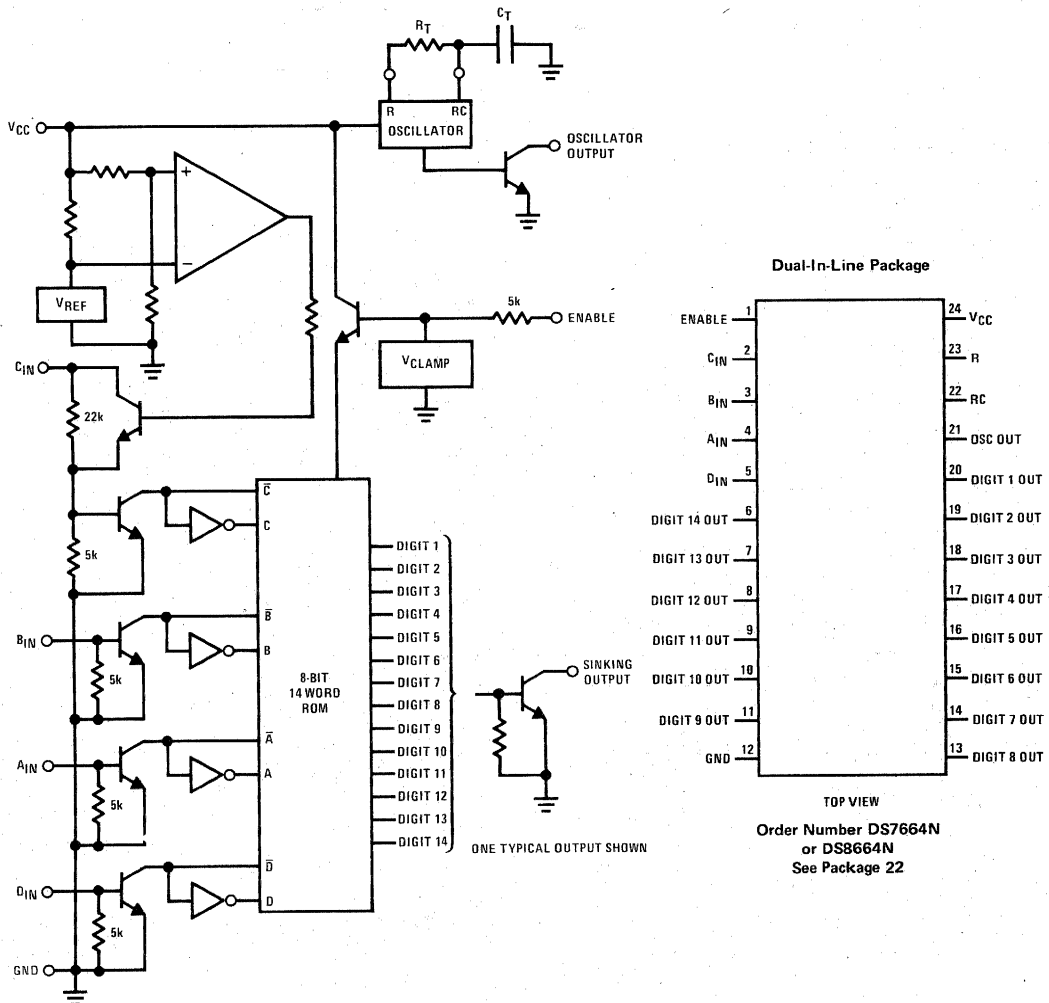
### general description

The DS7664/DS8664 circuit is a 14-digit decoder/driver with an 80 mA sink capability. The circuit has current threshold inputs, and is designed to be driven by P-channel MOS. The enable input permits interdigit blanking of the decoded outputs. An open-collector output oscillator is provided for system timing (two passive external components are required). A low-battery indicator is provided at the "C" input with a nominal trip point of 3.25V at 25°C.

### features

- Oscillator frequency accuracy allows maximum system speed
- Inter-digit blanking with the enable input provides ghost-free display operation
- Low-battery indicator accuracy provides consistent low-battery indication

### logic and connection diagrams



**absolute maximum ratings** (Note 1)

|  |                 |
|--|-----------------|
| Supply Voltage                           | 10V             |
| Input Voltage                            | ±10V            |
| Input Current                            | ±1.5 mA         |
| Output Voltage                           | 10V             |
| Storage Temperature Range                | -65°C to +150°C |
| Lead Temperature (Soldering, 10 seconds) | 300°C           |

**operating conditions**

|                                   | MIN | MAX  | UNITS |
|-----------------------------------|-----|------|-------|
| Supply Voltage (V <sub>CC</sub> ) |     |      |       |
| DS8664                            | 2.9 | 9.5  | V     |
| DS7664                            | 3.5 | 9.5  | V     |
| Temperature (T <sub>A</sub> )     |     |      |       |
| DS8664                            | 0   | +70  | °C    |
| DS7664                            | -55 | +125 | °C    |

**electrical characteristics** (Notes 2 and 3)

| PARAMETER   | CONDITIONS   | MIN   | TYP   | MAX   | UNITS |     |
|---|--|---|-------|-------|-------|-----|
|   |  |   |       |       |       |     |
| V <sub>IH</sub> Logical "1" Input Voltage<br>Decoder Inputs | V <sub>CC</sub> = Max, V <sub>ENABLE</sub> = 4.9V  | I <sub>IN</sub> = 260µA                             | 0.50  |       |       | V   |
|   |  | I <sub>IN</sub> = 1400µA                            |       |       | 1.50  | V   |
| V <sub>IH</sub> Enable Input                                | V <sub>CC</sub> = Max, I <sub>ENABLE</sub> = 260µA, T <sub>A</sub> = 25°C                            | 3.0   | 4.2   | 5.1   |       | V   |
| I <sub>IH</sub> Logical "1" Input Current<br>Decoder Inputs | V <sub>CC</sub> = Max, V <sub>ENABLE</sub> = 4.9V  | 260   |       |       |       | µA  |
| I <sub>IH</sub> Enable Input                                | V <sub>CC</sub> = Max  | 260   |       |       |       | µA  |
| V <sub>IL</sub> Logical "0" Input Voltage                   | V <sub>CC</sub> = Max, V <sub>ENABLE</sub> = 4.9V,<br>I <sub>IL</sub> = 25µA                         | A <sub>IN</sub> , B <sub>IN</sub> , D <sub>IN</sub> |       |       | 0.30  | V   |
|   |  | C <sub>IN</sub>                                     |       |       | 0.50  | V   |
| I <sub>IL</sub> Logical "0" Input Current                   | V <sub>CC</sub> = Max, V <sub>ENABLE</sub> = 4.9V  |   |       | 25    |       | µA  |
| V <sub>OH</sub> C Input (Low-Battery Output)                | V <sub>CC</sub> = 3.1V, T <sub>A</sub> = 25°C  | I <sub>IN</sub> = 300µA                             | 4.9   | 7.3   |       | V   |
|   |  | I <sub>IN</sub> = 400µA                             | 6.5   | 10.0  |       | V   |
| V <sub>OL</sub> C Input (Low-Battery Output)                | V <sub>CC</sub> = 3.4V, I <sub>IN</sub> = 1300µA, T <sub>A</sub> = 25°C                              |   | 1.0   | 3.0   |       | V   |
| I <sub>OH</sub> Logical "1" Output Current<br>Except Pin R  | V <sub>CC</sub> = Max, V <sub>OH</sub> = 10.0V, V <sub>ENABLE</sub> = 4.9V<br>V <sub>RC</sub> = 0.6V |   |       | 50    |       | µA  |
| I <sub>OS</sub> Output Short Circuit Current<br>Pin R Only  | V <sub>CC</sub> = Max, V <sub>RC</sub> = 0.6V  | -0.15   | -0.28 | -0.45 |       | mA  |
| V <sub>OL</sub> Logical "0" Output Voltage<br>Digit Outputs | V <sub>CC</sub> = Min, I <sub>OL</sub> = 80 mA, V <sub>ENABLE</sub> = 4.9V                           |   | 0.35  | 0.50  |       | V   |
| V <sub>OL(OSC)</sub> Oscillator Output                      | V <sub>CC</sub> = Min, I <sub>OL</sub> = 6 mA, V <sub>RC</sub> = 1.5V                                |   | 0.20  | 0.50  |       | V   |
| V <sub>OL</sub> Pin R                                       | V <sub>CC</sub> = Min, I <sub>OL</sub> = 60µA, V <sub>RC</sub> = 1.5V                                |   | 0.10  | 0.20  |       | V   |
| I <sub>CC</sub> Supply Current—Enabled                      | V <sub>CC</sub> = Max, V <sub>ENABLE</sub> = 4.9V  |   | 15.0  | 22.0  |       | mA  |
| I <sub>CC</sub> Supply Current—Disabled                     | V <sub>CC</sub> = Max, V <sub>ENABLE</sub> = 1.0V  |   | 6.0   | 10.0  |       | mA  |
| f <sub>OSC</sub> Oscillator Frequency                       | R <sub>T</sub> = 35k ±2%, C <sub>T</sub> = 100 pF ±5%, V <sub>CC</sub> = Min to 4.5V                 | 300   | 350   | 400   |       | kHz |
|   | R <sub>T</sub> = 33k ±2%, C <sub>T</sub> = 100 pF ±5%, V <sub>CC</sub> = 7.9V to Max                 | 320   | 360   | 400   |       | kHz |
| D.C. Duty Cycle (t <sub>PH</sub> /t <sub>r</sub> )          | R <sub>T</sub> = 35k ±2%, C <sub>T</sub> = 100 pF ±5%, V <sub>CC</sub> = Min to 4.5V                 | 0.46  | 0.56  | 0.66  |       |     |
|   | R <sub>T</sub> = 33k ±2%, C <sub>T</sub> = 100 pF ±5%, V <sub>CC</sub> = 7.9V to Max                 | 0.46  | 0.56  | 0.66  |       |     |

**switching characteristics** V<sub>CC</sub> = 4.0V, T<sub>A</sub> = 25°C unless otherwise specified.

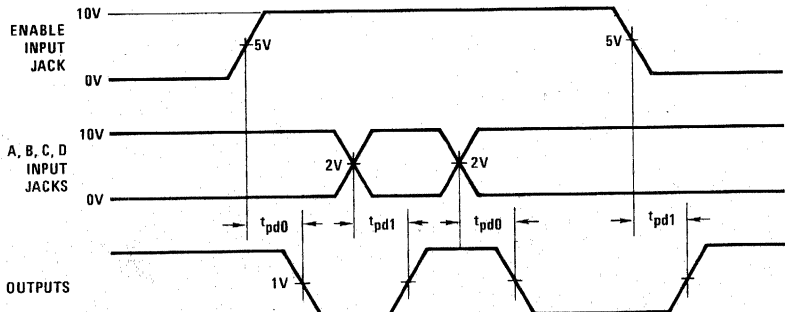
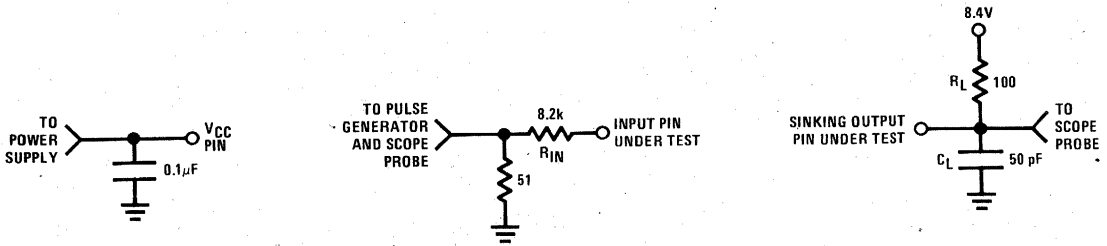
| PARAMETER                            | CONDITIONS  | MIN | TYP | MAX | UNITS |
|--------------------------------------|---|-----|-----|-----|-------|
| t <sub>pd1</sub> or t <sub>pd0</sub> | Propagation Delay From A, B, C, D<br>Inputs to Digit Outputs                    |     |     | 500 | ns    |
| t <sub>pd0</sub>                     | Propagation Delay to a Logical "0"<br>From Enable Input to Digit Outputs        | 30  | 80  | 200 | ns    |
| t <sub>pd1</sub>                     | Propagation Delay to a Logical "1"<br>From Enable Input to Digit Outputs<br>1-8 | 100 | 250 | 500 | ns    |

**Note 1:** "Absolute Maximum Ratings" are those values beyond which the safety of the device cannot be guaranteed. Except for "Operating Temperature Range" they are not meant to imply that the devices should be operated at these limits. The table of "Electrical Characteristics" provides conditions for actual device operation.

**Note 2:** Unless otherwise specified, min/max limits apply across the -55°C to +125°C temperature range for the DS7664 and across the 0°C to +70°C range for the DS8664; all typical values are given for V<sub>CC</sub> = 4.0V and T<sub>A</sub> = 25°C.

**Note 3:** All currents into device pins shown as positive, out of device pins as negative, all voltages referenced to ground unless otherwise noted. All values shown as max or min on absolute value basis.

ac test circuits and switching time waveforms



Note: Input voltage rise and fall times are 120 ns from 10% to 90% points.

truth table

| A <sub>IN</sub> | B <sub>IN</sub> | C <sub>IN</sub> | D <sub>IN</sub> | DIG. OUT ON |
|-----------------|-----------------|-----------------|-----------------|-------------|
| 0               | 0               | 0               | 0               | NONE        |
| 1               | 0               | 0               | 0               | 1           |
| 0               | 1               | 0               | 0               | 2           |
| 1               | 1               | 0               | 0               | 3           |
| 0               | 0               | 1               | 0               | 4           |
| 1               | 0               | 1               | 0               | 5           |
| 0               | 1               | 1               | 0               | 6           |
| 1               | 1               | 1               | 0               | 7           |
| 0               | 0               | 0               | 1               | 8           |
| 1               | 0               | 0               | 1               | 9           |
| 0               | 1               | 0               | 1               | 10          |
| 1               | 1               | 0               | 1               | 11          |
| 0               | 0               | 1               | 1               | 12          |
| 1               | 0               | 1               | 1               | 13          |
| 0               | 1               | 1               | 1               | 14          |
| 1               | 1               | 1               | 1               | NONE        |



## DS8665 14-digit decoder/driver (hi-drive)

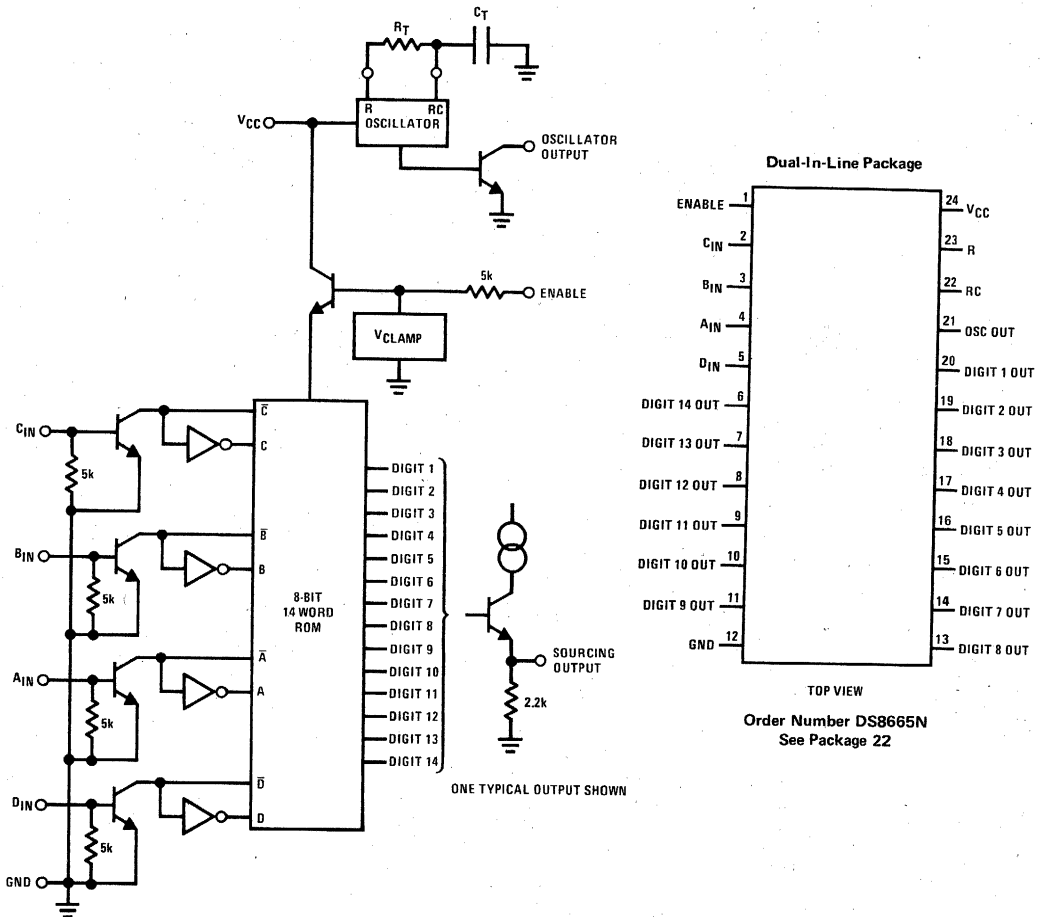
### general description

The DS8665 circuit is a 14-digit decoder/driver with 13 mA nominal source current capable of driving external grounded-emitter transistor bases. The circuit has current threshold inputs, and is designed to be driven by P-channel MOS. An enable input is provided to allow for inter-digit blanking of the decoded outputs. An open-collector output oscillator is provided for system timing (two passive external components are required).

### features

- Oscillator frequency accuracy allows maximum system speed
- Inter-digit blanking with the enable input provides ghost-free display operation

### logic and connection diagrams



**absolute maximum ratings** (Note 1)

**operating conditions**

|  |                 |                                   |     |     |       |
|--|-----------------|-----------------------------------|-----|-----|-------|
| Supply Voltage                           | 10V             | Supply Voltage (V <sub>CC</sub> ) | MIN | MAX | UNITS |
| Input Voltage                            | ±10V            | Temperature (T <sub>A</sub> )     | 7.9 | 9.5 | V     |
| Input Current                            | ±1.5 mA         |                                   | 0   | +70 | °C    |
| Output Voltage                           | 10V             |                                   |     |     |       |
| Storage Temperature Range                | -65°C to +150°C |                                   |     |     |       |
| Lead Temperature (Soldering, 10 seconds) | 300°C           |                                   |     |     |       |

**electrical characteristics** (Notes 2 and 3)

| PARAMETER            |  | CONDITIONS  | MIN                      | TYP   | MAX   | UNITS |
|----------------------|--|---|--------------------------|-------|-------|-------|
| V <sub>IH</sub>      | Logical "1" Input Voltage<br>Decoder Inputs  | V <sub>CC</sub> = Max, V <sub>ENABLE</sub> = 6.7V   | I <sub>IN</sub> = 390µA  | 0.50  |       | V     |
|                      |  |   | I <sub>IN</sub> = 1400µA |       |       | 1.50  |
| V <sub>IH</sub>      | Enable Input                                 | V <sub>CC</sub> = Max, I <sub>ENABLE</sub> = 140µA  | 5.0                      | 6.3   | 7.0   | V     |
| I <sub>IH</sub>      | Logical "1" Input Current<br>Decoder Inputs  | V <sub>CC</sub> = Max, V <sub>ENABLE</sub> = 6.7V   |                          | 390   |       | µA    |
|                      |  |   |                          | 140   |       | µA    |
| I <sub>IH</sub>      | Enable Input                                 | V <sub>CC</sub> = Max   |                          |       |       | µA    |
| V <sub>IL</sub>      | Logical "0" Input Voltage                    | V <sub>CC</sub> = Max, V <sub>ENABLE</sub> = 6.7V, I <sub>IL</sub> = 25µA                               |                          |       | 0.30  | V     |
| I <sub>IL</sub>      | Logical "0" Input Current                    | V <sub>CC</sub> = Max, V <sub>ENABLE</sub> = 6.7V   |                          |       | 25    | µA    |
| I <sub>OH(OSC)</sub> | Oscillator Output                            | V <sub>CC</sub> = Max, V <sub>OH</sub> = 10.0V, V <sub>RC</sub> = 0.6V                                  |                          |       | 50    | µA    |
| I <sub>OH</sub>      | Logical "1" Output Current<br>Digit Outputs  | V <sub>CC</sub> = Max, V <sub>OH</sub> = 1.00V, V <sub>ENABLE</sub> = 6.7V                              | -7.0                     | -13.0 | -20.0 | mA    |
| I <sub>OS</sub>      | Output Short Circuit Current<br>(Pin R Only) | V <sub>CC</sub> = Max, V <sub>RC</sub> = 0.6V   | -0.15                    | -0.30 | -0.45 | mA    |
| V <sub>OL</sub>      | Logical "0" Output Voltage<br>Digit Outputs  | V <sub>CC</sub> = Max, I <sub>OL</sub> = 40µA, V <sub>ENABLE</sub> = 6.7V                               |                          |       | 0.40  | V     |
| V <sub>OL(OSC)</sub> | Oscillator Output                            | V <sub>CC</sub> = Min, I <sub>OL</sub> = 6 mA, V <sub>RC</sub> = 1.5V                                   |                          | 0.20  | 0.50  | V     |
| V <sub>OL</sub>      | Pin R  | V <sub>CC</sub> = Min, I <sub>OL</sub> = 60µA, V <sub>RC</sub> = 1.5V                                   |                          | 0.10  | 0.20  | V     |
| I <sub>CC</sub>      | Supply Current—Enabled                       | V <sub>CC</sub> = Max, V <sub>ENABLE</sub> = 6.7V, V <sub>OH</sub> = 1.00V                              |                          | 26.0  | 35.0  | mA    |
| I <sub>CC</sub>      | Supply Current—Disabled                      | V <sub>CC</sub> = Max, V <sub>ENABLE</sub> = 1.0V   |                          | 5.0   | 7.0   | mA    |
| f <sub>OSC</sub>     | Oscillator Frequency                         | R <sub>T</sub> = 33k ±2%, C <sub>T</sub> = 100 pF ±5%<br>V <sub>CC</sub> = Min<br>V <sub>CC</sub> = Max | 320                      | 360   | 400   | kHz   |
| D.C.                 | Duty Cycle (t <sub>PWH</sub> /τ)             | R <sub>T</sub> = 33k ±2%, C <sub>T</sub> = 100 pF ±5%<br>V <sub>CC</sub> = Min<br>V <sub>CC</sub> = Max | 0.46                     | 0.56  | 0.66  |       |

**switching characteristics** V<sub>CC</sub> = 8.4V, T<sub>A</sub> = 25°C unless otherwise specified

| PARAMETER                               | CONDITIONS   | MIN   | TYP | MAX | UNITS |    |
|---|--|---|-----|-----|-------|----|
| t <sub>pd1</sub> or<br>t <sub>pd0</sub> | Propagation Delay From A, B,<br>C, D Inputs to Digit Outputs             |   |     | 500 | ns    |    |
| t <sub>pd0</sub>                        | Propagation Delay to a Logical "0"<br>From Enable Input to Digit Outputs | R <sub>IN</sub> = 8.2k, V <sub>ENABLE JACK</sub> = 10V,<br>C <sub>L</sub> = 50 pF |     | 200 | 300   | ns |
| t <sub>pd1</sub>                        | Propagation Delay to a Logical "1"<br>From Enable Input to Digit Outputs | R <sub>IN</sub> = 8.2k, C <sub>L</sub> = 50 pF                                    |     | 10  | 50    | ns |

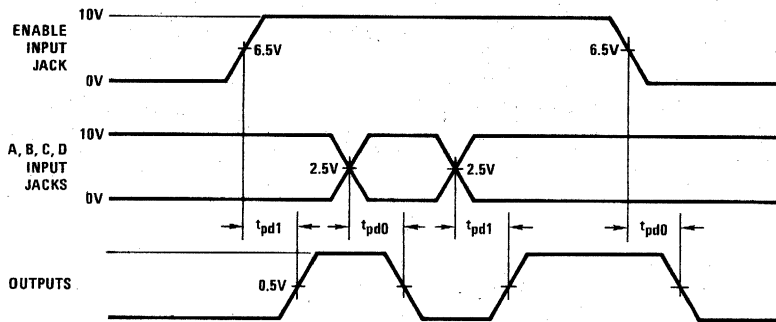
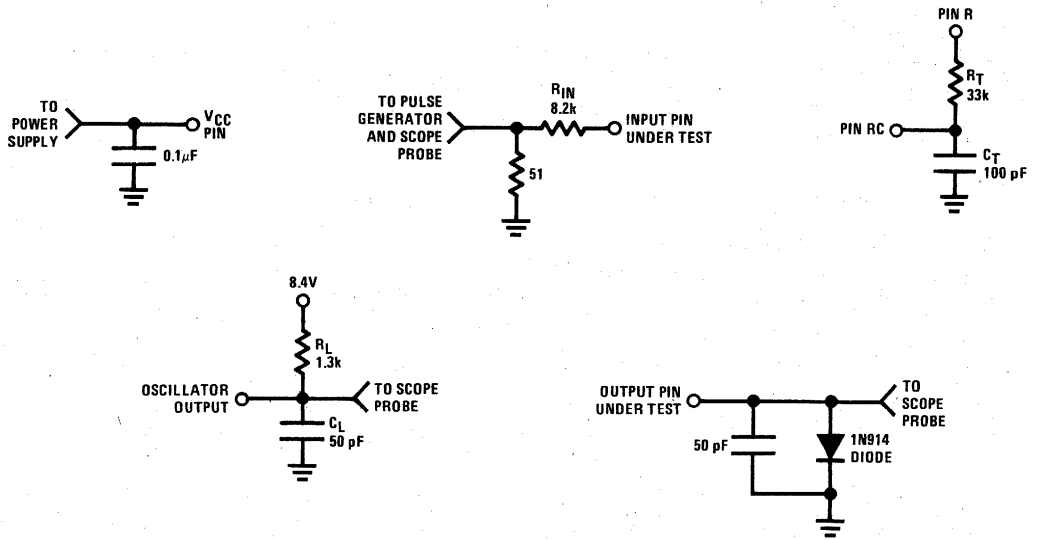
**Note 1:** "Absolute Maximum Ratings" are those values beyond which the safety of the device cannot be guaranteed. Except for "Operating Temperature Range" they are not meant to imply that the devices should be operated at these limits. The table of "Electrical Characteristics" provides conditions for actual device operation.

**Note 2:** Unless otherwise specified min/max limits apply across the 0°C to +70°C temperature range for the DS8665; all typicals are given for V<sub>CC</sub> = 8.4V and T<sub>A</sub> = 25°C.

**Note 3:** All currents into device pins shown as positive, out of device pins as negative, all voltages referenced to ground unless otherwise noted. All values shown as max or min on absolute value basis.



ac test circuits and switching time waveforms



Note: Input rise and fall times are 120 ns between 10% and 90% points.

truth table

| A <sub>IN</sub> | B <sub>IN</sub> | C <sub>IN</sub> | D <sub>IN</sub> | DIG. OUT ON |
|-----------------|-----------------|-----------------|-----------------|-------------|
| 0               | 0               | 0               | 0               | NONE        |
| 1               | 0               | 0               | 0               | 1           |
| 0               | 1               | 0               | 0               | 2           |
| 1               | 1               | 0               | 0               | 3           |
| 0               | 0               | 1               | 0               | 4           |
| 1               | 0               | 1               | 0               | 5           |
| 0               | 1               | 1               | 0               | 6           |
| 1               | 1               | 1               | 0               | 7           |
| 0               | 0               | 0               | 1               | 8           |
| 1               | 0               | 0               | 1               | 9           |
| 0               | 1               | 0               | 1               | 10          |
| 1               | 1               | 0               | 1               | 11          |
| 0               | 0               | 1               | 1               | 12          |
| 1               | 0               | 1               | 1               | 13          |
| 0               | 1               | 1               | 1               | 14          |
| 1               | 1               | 1               | 1               | NONE        |



## DS8666 14-digit decoder/driver (P.O.S.)

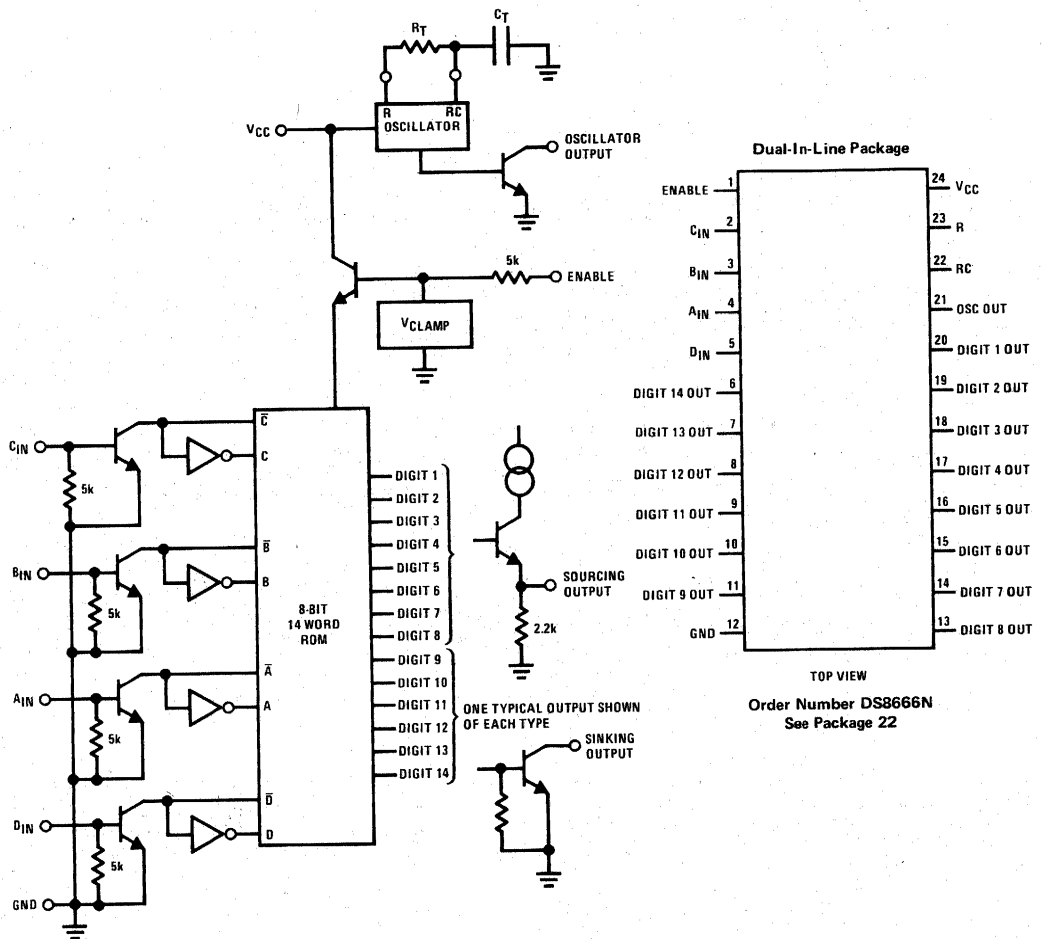
### general description

The DS8666 circuit is a 14-digit decoder/driver. Six outputs have an 80 mA sink capability, and eight of the outputs have a 13 mA nominal source drive capability to drive external grounded-emitter transistor bases. The circuit has current threshold inputs, and is designed to be driven by P-channel MOS. An enable input is provided to allow for inter-digit blanking of the decoded outputs. An open-collector output oscillator is provided for system timing (two passive external components are required).

### features

- Oscillator frequency accuracy allows maximum system speed
- Inter-digit blanking with the enable input provides ghost-free display operation

### logic and connection diagrams



## absolute maximum ratings (Note 1)

|  |                 |
|--|-----------------|
| Supply Voltage                           | 10V             |
| Input Voltage                            | 10V             |
| Input Current                            | ±1.5 mA         |
| Output Voltage                           | 10V             |
| Storage Temperature Range                | -65°C to +150°C |
| Lead Temperature (Soldering, 10 seconds) | 300°C           |

## operating conditions

|                             | MIN | MAX | UNITS |
|-----------------------------|-----|-----|-------|
| Supply Voltage ( $V_{CC}$ ) | 7.9 | 9.5 | V     |
| Temperature ( $T_A$ )       | 0   | +70 | °C    |

## electrical characteristics (Notes 2 and 3)

| PARAMETER     |  | CONDITIONS  | MIN  | TYP   | MAX   | UNITS   |     |
|---------------|--|---|--|-------|-------|---------|-----|
| $V_{IH}$      | Logical "1" Input Voltage<br>Decoder Inputs                                    | $V_{CC} = \text{Max}, V_{ENABLE} = 6.7V$  | $I_{IN} = 390 \mu A$                           | 0.50  |       | V       |     |
|               |  |   | $I_{IN} = 1400 \mu A$                          |       | 1.50  | V       |     |
| $V_{IH}$      | Enable Input   | $V_{CC} = \text{Max}, I_{ENABLE} = 140 \mu A$                                       | 5.0  | 6.3   | 7.0   | V       |     |
| $I_{IH}$      | Logical "1" Input Current<br>Decoder Inputs                                    | $V_{CC} = \text{Max}, V_{ENABLE} = 6.7V$  | 390  |       |       | $\mu A$ |     |
| $I_{IH}$      | Enable Input   | $V_{CC} = \text{Max}$   | 140  |       |       | $\mu A$ |     |
| $V_{IL}$      | Logical "0" Input Voltage  | $V_{CC} = \text{Max}, V_{ENABLE} = 6.7V, I_{IL} = 25 \mu A$                         |  |       | 0.30  | V       |     |
| $I_{IL}$      | Logical "0" Input Current  | $V_{CC} = \text{Max}, V_{ENABLE} = 6.7V$  |  |       | 25    | $\mu A$ |     |
| $I_{OH(OSC)}$ | Oscillator Output  | $V_{CC} = \text{Max}, V_{OH} = 10.0V, V_{RC} = 0.6V$                                |  |       | 50    | $\mu A$ |     |
| $I_{OH}$      | Digit 1-8 Outputs  | $V_{CC} = \text{Max}, V_{OH} = 1.00V, V_{ENABLE} = 6.7V$                            | -7.0   | -13.0 | -20.0 | mA      |     |
| $I_{OH}$      | Logical "1" Output Current<br>Digit 9-14 Outputs                               | $V_{CC} = \text{Max}, V_{OH} = 10.0V, V_{ENABLE} = 6.7V$                            |  |       | 50    | $\mu A$ |     |
| $I_{OS}$      | Output Short-Circuit Current<br>Pin R Only                                     | $V_{CC} = \text{Max}, V_{RC} = 0.6V$  | -0.15  | -0.30 | -0.45 | mA      |     |
| $V_{OL(OSC)}$ | Oscillator Output  | $V_{CC} = \text{Min}, I_{OL} = 6 \text{ mA}, V_{RC} = 1.5V$                         |  |       | 0.50  | V       |     |
| $V_{OL}$      | Logical "0" Output Voltage<br>Digit 1-8 Outputs<br>Digit 9-14 Outputs<br>Pin R | $V_{CC} = \text{Min}, V_{ENABLE} = 6.7V$  | $I_{OL} = 40 \mu A$                            |       | 0.40  | V       |     |
|               |  |   | $I_{OL} = 80 \text{ mA}$                       | 0.35  | 0.50  | V       |     |
|               |  |   | $I_{OL} = 60 \mu A,$<br>$V_{RC} = 1.5V$        | 0.10  | 0.20  | V       |     |
| $I_{CC}$      | Supply Current—Enabled   | $V_{CC} = \text{Max}, V_{ENABLE} = 6.7V, V_{OH} = 1.00V,$<br>(Sourcing Output "ON") |  | 26.0  | 35.0  | mA      |     |
| $I_{CC}$      | Supply Current—Disabled  | $V_{CC} = \text{Max}, V_{ENABLE} = 1.0V$  |  | 5.0   | 7.0   | mA      |     |
| $f_{OSC}$     | Oscillator Frequency   | $R_T = 33k \pm 2\%, C_T = 100 \text{ pF} \pm 5\%$                                   | $V_{CC} = \text{Min}$<br>$V_{CC} = \text{Max}$ | 320   | 360   | 400     | kHz |
| D.C.          | Duty Cycle ( $t_{pWH}/\tau$ )  | $R_T = 33k \pm 2\%, C_T = 100 \text{ pF} \pm 5\%$                                   | $V_{CC} = \text{Min}$<br>$V_{CC} = \text{Max}$ | 0.46  | 0.56  | 0.66    |     |

switching characteristics  $V_{CC} = 8.4V, T_A = 25^\circ C$ 

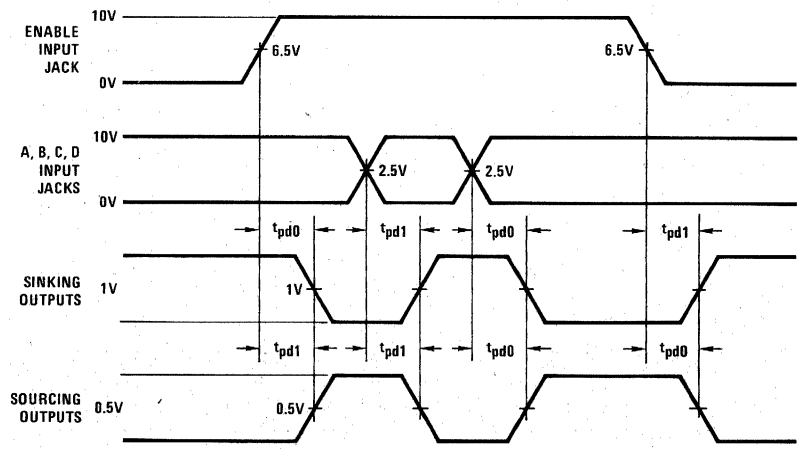
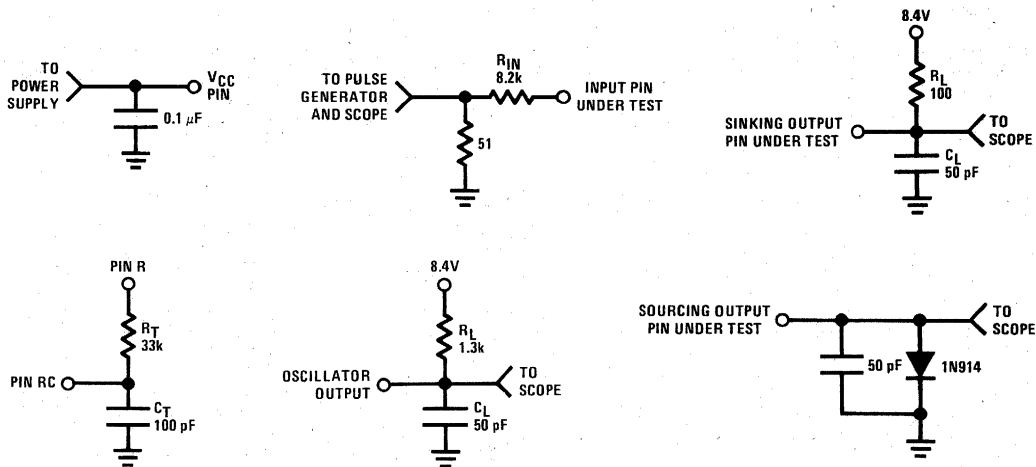
| PARAMETER                 |   | CONDITIONS   | MIN | TYP | MAX | UNITS |
|---------------------------|---|--|-----|-----|-----|-------|
| $t_{pd0}$ or<br>$t_{pd1}$ | Propagation Delay From A,<br>B, C, D Inputs to Digit<br>Outputs | $R_{IN} = 8.2k, V_{ENABLE \text{ JACK}} = 10V,$<br>$C_L = 50 \text{ pF}$ |     |     | 500 | ns    |
| $t_{pd0}$ or<br>$t_{pd1}$ | Propagation Delay From<br>Enable Input to Digit<br>Outputs      | $R_{IN} = 8.2k, C_L = 50 \text{ pF}$                                     |     |     | 500 | ns    |

**Note 1:** "Absolute Maximum Ratings" are those values beyond which the safety of the device cannot be guaranteed. Except for "Operating Temperature Range" they are not meant to imply that the devices should be operated at these limits. The table of "Electrical Characteristics" provides conditions for actual device operation.

**Note 2:** Unless otherwise specified min/max limits apply across the 0°C to +70°C for the DS8666. All typicals are given for  $V_{CC} = 8.4V$  and  $T_A = 25^\circ C$ .

**Note 3:** All currents into device pins shown as positive, out of device pins as negative, all voltages referenced to ground unless otherwise noted. All values shown as max or min on absolute value basis.

ac test circuits and switching time waveforms



Note. Input rise and fall times are 120 ns between 10% and 90% points.

truth table

| A <sub>IN</sub> | B <sub>IN</sub> | C <sub>IN</sub> | D <sub>IN</sub> | DIG. OUT ON |
|-----------------|-----------------|-----------------|-----------------|-------------|
| 0               | 0               | 0               | 0               | NONE        |
| 1               | 0               | 0               | 0               | 1           |
| 0               | 1               | 0               | 0               | 2           |
| 1               | 1               | 0               | 0               | 3           |
| 0               | 0               | 1               | 0               | 4           |
| 1               | 0               | 1               | 0               | 5           |
| 0               | 1               | 1               | 0               | 6           |
| 1               | 1               | 1               | 0               | 7           |
| 0               | 0               | 0               | 1               | 8           |
| 1               | 0               | 0               | 1               | 9           |
| 0               | 1               | 0               | 1               | 10          |
| 1               | 1               | 0               | 1               | 11          |
| 0               | 0               | 1               | 1               | 12          |
| 1               | 0               | 1               | 1               | 13          |
| 0               | 1               | 1               | 1               | 14          |
| 1               | 1               | 1               | 1               | NONE        |



## DS8692, DS8693, DS8694 printing calculator interface set

### general description

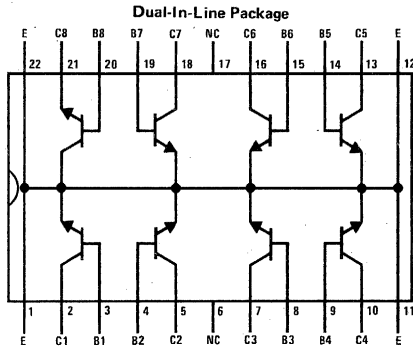
Two DS8692 IC's and one each of the DS8693 and DS8694 provide the complete interface necessary between the MM5787 calculator chip and the Seiko Model 310 printing head. The DS8692 is an array of eight common emitter output transistors each capable of sinking 350 mA, with open collector saturating outputs. The DS8693 contains the interface logic for the color solenoid driver, motor driver, and 7-column character select solenoid drivers. The DS8694 contains the interface logic for 8-column solenoid drivers plus the clock oscillator and timing signal buffer. The color and character select solenoid driver outputs of both are

constant current outputs supplying the base current for the DS8692 arrays. These outputs also feature active pull-down. The motor drive output is an open collector capable of sinking 20 mA.

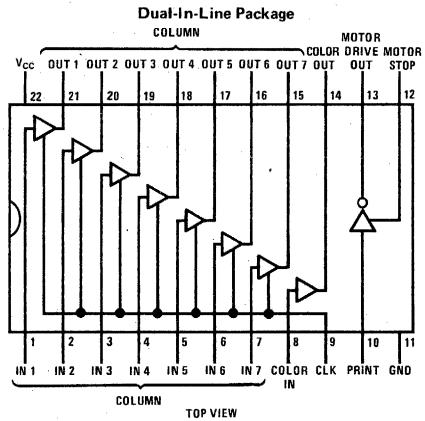
### features

- Provides complete interface package for printing calculators with minimum number of packages and minimum number of external components
- 350 mA sink capability

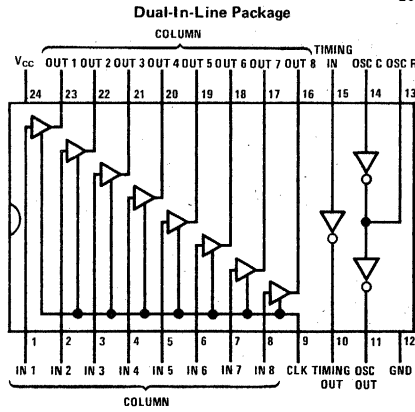
### connection diagrams



TOP VIEW  
Order Number DS8692N  
See Package 21



TOP VIEW  
Order Number DS8693N  
See Package 21



TOP VIEW  
Order Number DS8694N  
See Package 22

**absolute maximum ratings DS8692—Transistor Array (Note 1)**

|                                       |      |  |                 |
|---------------------------------------|------|--|-----------------|
| Collector to Base Voltage             | 35V  | Power Dissipation ( $T_A = 25^\circ\text{C}$ ) | 650 mW          |
| Collector to Emitter Voltage          | 35V  | Operating Junction Temperature                 | 150°C max       |
| Collector to Emitter Voltage (Note 4) | 15V  | Operating Temperature Range                    | 0°C to +70°C    |
| Emitter to Base Voltage               | 6V   | Storage Temperature Range                      | -65°C to +150°C |
| Collector Current (Continuous)        | 0.4A | Lead Temperature (Soldering, 10 seconds)       | 300°C           |

**electrical characteristics DS8692 (Each Transistor,  $T_A = 25^\circ\text{C}$  unless specified) (Notes 2 and 3)**

| PARAMETER   | CONDITIONS   | MIN      | TYP | MAX  | UNITS |
|---|--|----------|-----|------|-------|
| $V_{CE0}$ Collector to Emitter Breakdown Voltage      | $I_C = 100\mu\text{A}, I_B = 0$  | 15       |     |      | V     |
| $V_{CES}$ Collector to Emitter Breakdown Voltage      | $I_C = 100\mu\text{A}, V_{BE} = 0$   | 35       |     |      | V     |
| $V_{CBO}$ Collector to Base Breakdown Voltage         | $I_C = 100\mu\text{A}, I_E = 0$  | 35       |     |      | V     |
| $h_{FE}$ dc Current Gain                              | $I_C = 165\text{ mA} @ V_{CE} = 5\text{V}$<br>$I_C = 350\text{ mA} @ V_{CE} = 5\text{V}$ | 80<br>70 |     |      | V     |
| $V_{CE(SAT)}$ Collector to Emitter Saturation Voltage | $I_C = 350\text{ mA}, I_B = 7.0\text{ mA}$   |          |     | 1.0  | V     |
| $V_{BE(SAT)}$ Base to Emitter Saturation Voltage      | $I_C = 350\text{ mA}, I_B = 7.0\text{ mA}$   |          |     | 0.95 | V     |

**absolute maximum ratings DS8693 (Note 1)**

**operating conditions DS8693**

|  |                 |     |      |       |
|--|-----------------|-----|------|-------|
| Supply Voltage                           | 12V             | MIN | MAX  | UNITS |
| Input Voltage                            | 12V             | 8.5 | 11.0 | V     |
| Output Voltage                           | 12V             | 0   | +70  | °C    |
| All Pins Except Pin 13                   | 12V             |     |      |       |
| Pin 13                                   | 19V             |     |      |       |
| Storage Temperature Range                | -65°C to +150°C |     |      |       |
| Lead Temperature (Soldering, 10 seconds) | 300°C           |     |      |       |

**electrical characteristics DS8693 (Notes 2 and 3)**

| PARAMETER                                | CONDITIONS  | MIN  | TYP | MAX  | UNITS         |
|--|---|------|-----|------|---------------|
| <b>COLUMN DRIVERS</b>                    |   |      |     |      |               |
| $I_{IN}$ Input Current                   | $V_{IN} = V_{CC} - 1.5\text{V}$   |      |     | 250  | $\mu\text{A}$ |
| $V_{OL}$ Output "OFF" Voltage            | $V_{CC} = \text{Min}, I_{IN} = 50.0\mu\text{A}, I_{CLOCK} = 300\mu\text{A}, I_{OUT} = 1\text{ mA}$  |      |     | 0.4  | V             |
| $I_{OH}$ Output "ON" Current             | $V_{CC} = \text{Min}, V_{IN} = 7.0\text{V}, I_{CLOCK} = 300\mu\text{A}, V_{OUT} = 1.0\text{V}$      | -7   |     | -17  | mA            |
| $I_{OS}$ Output Short Circuit Current    | $V_{CC} = \text{Max}, I_{IN} = 50\mu\text{A}, I_{CLOCK} = 300\mu\text{A}, V_{OUT} = 0.0\text{V}$    |      |     | -1.2 | mA            |
| <b>CLOCK INPUT</b>                       |   |      |     |      |               |
| $V_{IN}$ Input Voltage                   | $I_{IN} = 300\mu\text{A}$<br>$I_{IN} = 50\mu\text{A}$   | 4.1  |     | 1.5  | V             |
| $I_{IH}$ Logical "1" Input High Current  |   | 300  |     |      | $\mu\text{A}$ |
| $I_{IL}$ Logical "0" Input Low Current   |   |      |     | 50   | $\mu\text{A}$ |
| <b>MOTOR DRIVER</b>                      |   |      |     |      |               |
| $I_{IN(PRINT)}$ Input Current            | $V_{IN} = V_{CC} - 1.5\text{V}$   |      |     | 250  | $\mu\text{A}$ |
| $I_{IL(STOP)}$ Input Low Current (Stop)  | $V_{CC} = \text{Min}, V_{IN(STOP)} = 0.0\text{V},$<br>(Stop Switch Closed)                          | -270 |     |      | $\mu\text{A}$ |
| $V_{IH(STOP)}$ Input High Voltage (Stop) | $V_{CC} = \text{Max}, I_{IN(STOP)} = 0\mu\text{A},$<br>(Stop Switch Open)                           |      |     | 1.35 | V             |
| $V_{OL}$ Output Low Voltage              | $V_{CC} = \text{Min}, V_{PRINT} = 7\text{V}, I_{OUT} = 15\text{ mA}$                                |      |     | 0.5  | V             |
| $I_{OX}$ Output Leakage Current          | $V_{CC} = \text{Max}, I_{PRINT} = 50\mu\text{A}, V_{STOP} = 0.0\text{V},$<br>$V_{OUT} = 15\text{V}$ |      |     | 100  | $\mu\text{A}$ |

## electrical characteristics (con't) DS8693

| PARAMETER             |                         | CONDITIONS   | MIN  | TYP | MAX  | UNITS |
|-----------------------|-------------------------|--|------|-----|------|-------|
| COLOR DRIVER          |                         |  |      |     |      |       |
| $V_{IN}$              | Input Voltage           | $I_{IN} = 250\mu A$  | 4.55 |     |      | V     |
|                       |                         | $I_{IN} = 50\mu A$   |      |     | 1.65 | V     |
| $V_{OL}$              | Output "OFF" Voltage    | $V_{CC} = \text{Min}, I_{IN} = 50\mu A, I_{OUT} = 1 \text{ mA}$  |      |     | 0.4  | V     |
| $I_{OH}$              | Output "ON" Current     | $V_{CC} = \text{Min}, I_{IN} = 250\mu A, V_{OUT} = 1.0V$   | -8   |     | -18  | mA    |
| $I_{CC(\text{PEAK})}$ | Peak Supply Current     | $V_{CC} = \text{Max}, V_{\text{COLUMN IN}}/V_{\text{PRINT}} = 7V,$<br>$I_{\text{CLOCK}}/I_{\text{COLOR}} = 300\mu A, (\text{Note } 6)$ |      |     | 180  | mA    |
| $I_{CC(\text{SB})}$   | Stand-by Supply Current | $V_{CC} = \text{Max}, V_{\text{COLUMN IN}}/V_{\text{PRINT}} = 0V,$<br>$I_{\text{COLOR}} = 0\mu A, I_{\text{CLOCK}} = 300\mu A$         |      |     | 55   | mA    |
| $I_{CC(\text{AVE})}$  | Average Supply Current  | $V_{CC} = \text{Max}, \text{Continuous Operation}$   |      |     | 68   | mA    |

## absolute maximum ratings DS8694 (Note 1)

|   |                 |
|---|-----------------|
| Supply Voltage                          | 12V             |
| Input Voltage                           |                 |
| All Pins Except Pin 15                  | 12V             |
| Pin 15                                  | 19V             |
| Output Voltage                          | 12V             |
| Storage Temperature Range               | -65°C to +150°C |
| Lead Temperature (Soldering 10 seconds) | 300°C           |

## operating conditions

|                             | MIN | MAX  | UNITS |
|-----------------------------|-----|------|-------|
| Supply Voltage ( $V_{CC}$ ) | 8.5 | 11.0 | V     |
| Temperature ( $T_A$ )       | 0   | +70  | °C    |

## dc electrical characteristics DS8694 (Notes 2 and 3)

| PARAMETER             |                                | CONDITIONS  | MIN            | TYP | MAX  | UNITS   |
|-----------------------|--------------------------------|---|----------------|-----|------|---------|
| COLUMN DRIVER         |                                |   |                |     |      |         |
| $I_{IN}$              | Input Current                  | $V_{IN} = V_{CC} - 1.5V$  |                |     | 250  | $\mu A$ |
| $V_{OL}$              | Output "OFF" Voltage           | $V_{CC} = \text{Min}, I_{IN} = 50\mu A, I_{\text{CLOCK}} = 300\mu A,$<br>$I_{OUT} = 1 \text{ mA}$                     |                |     | 0.4  | V       |
| $I_{OH}$              | Output "ON" Current            | $V_{CC} = \text{Min}, V_{IN} = 7.0V, I_{\text{CLOCK}} = 300\mu A,$<br>$V_{OUT} = 1.0V$                                | -7             |     | -17  | mA      |
| $I_{OS}$              | Output Short Circuit Current   | $V_{CC} = \text{Max}, I_{IN} = 50\mu A, I_{\text{CLOCK}} = 300\mu A,$<br>$V_{OUT} = 0.0V$                             |                |     | -1.2 | mA      |
| CLOCK INPUT           |                                |   |                |     |      |         |
| $V_{IN}$              | Input Voltage                  | $I_{IN} = 300\mu A$   | 4.1            |     |      | V       |
|                       |                                | $I_{IN} = 50\mu A$  |                |     | 1.5  | V       |
| $I_{IH}$              | Logical "1" Input High Current |   | 300            |     |      | $\mu A$ |
| $I_{IL}$              | Logical "0" Input Low Current  |   |                |     | 50   | $\mu A$ |
| TIMING BUFFER         |                                |   |                |     |      |         |
| $I_{IN}$              | Input Current                  | $V_{IN} = 17V$  | 380            |     | 880  | $\mu A$ |
| $V_{OL}$              | Output Low Voltage             | $I_{OUT} = 50\mu A, V_{IN} = 10V$   |                |     | 0.5  | V       |
| $V_{OH}$              | Output High Voltage            | $I_{OUT} = -50\mu A, V_{IN} = 7V$   | $V_{CC} - 1.0$ |     |      | V       |
| OSCILLATOR            |                                |   |                |     |      |         |
| $f_{\text{OSC}}$      | Frequency                      | $V_{CC} = \text{Max}, R = 18k, C = 0.0015\mu Fd,$<br>(Note 5)   | 85             | 100 | 115  | kHz     |
| $V_{OL}$              | Output Low Voltage             | $V_{CC} = \text{Min}, I_{OUT} = 50\mu A$  |                |     | 0.5  | V       |
| $V_{OH}$              | Output High Voltage            | $I_{OUT} = -50\mu A$  | $V_{CC} - 1.0$ |     |      | V       |
| d                     | Duty Cycle                     | $V_{CC} = \text{Max}$   | 40             | 50  | 60   | %       |
| $V_{\text{OSC}}$      | Osc. $V_{CC}$ Turn-On Voltage  |   | 7.2            | 7.7 | 8.2  | V       |
| $I_{CC(\text{PEAK})}$ | Peak Supply Current            | $V_{CC} = \text{Max}, V_{\text{COLUMN IN}}/V_{\text{PRINT}} = 7V,$<br>$I_{\text{CLOCK}} = 300\mu A, (\text{Note } 6)$ |                |     | 200  | mA      |
| $I_{CC(\text{SB})}$   | Stand-by Supply Current        | $V_{CC} = \text{Max}, V_{\text{COLUMN IN}}/V_{\text{PRINT}} = 0V,$<br>$I_{\text{CLOCK}} = 300\mu A$                   |                |     | 55   | mA      |
| $I_{CC(\text{AVE})}$  | Average Supply Current         | $V_{CC} = \text{Max}, \text{Continuous Operation}$  |                |     | 62   | mA      |

# ac electrical characteristics DS8694

V<sub>CC</sub> = 5.0V, T<sub>A</sub> = 25°C (unless otherwise specified)

DS8692, DS8693, DS8694

| PARAMETER   |  | CONDITIONS                 | MIN | TYP   | MAX  | UNITS |
|---|--|----------------------------|-----|-------|------|-------|
| <b>COLUMN DRIVERS (DS8693, DS8694) (Figure 3)</b> |  |                            |     |       |      |       |
| PW <sub>COLUMN</sub>                              | Column In Pulse Width  |                            | 1.1 | 360.0 |      | μs    |
| PW <sub>CLOCK</sub>                               | Clock Pulse Width  |                            | 1.0 | 150.0 |      | μs    |
| t <sub>d</sub>                                    | Delay of Column In Pulse After Clock Transitions to Low State for Output to Latch              |                            | 0.1 | 160.0 |      | μs    |
| t <sub>pd0</sub>                                  | Propagation Delay to a Logical "0" From Clock to Column Out Output                             | Column In = 0V             |     |       | 10.0 | μs    |
| t <sub>pd1</sub>                                  | Propagation Delay to a Logical "1" From Clock to Column Output                                 | Column In = 7V             |     |       | 1300 | μs    |
| t <sub>pd0</sub>                                  | Propagation Delay to a Logical "0" From Column In to Column Out                                | Clock = 7V                 |     |       | 10   | μs    |
| t <sub>pd1</sub>                                  | Propagation Delay to a Logical "1" From Column In to Column Out                                | Clock = 7V                 |     |       | 1300 | μs    |
| <b>COLOR DRIVER (DS8693) (Figure 4)</b>           |  |                            |     |       |      |       |
| t <sub>pd0</sub>                                  | Propagation Delay to a Logical "0" From Color In to Color Out                                  |                            |     |       | 10.0 | μs    |
| t <sub>pd1</sub>                                  | Propagation Delay to a Logical "1" From Color In to Color Out                                  |                            |     |       | 10.0 | μs    |
| <b>MOTOR DRIVER (DS8693) (Figure 6)</b>           |  |                            |     |       |      |       |
| PW <sub>PRINT</sub>                               | Print Signal Pulse Width   |                            | 1   | 2400  |      | μs    |
| PW <sub>STOP</sub>                                | Stop Signal Pulse Width  |                            | 1   | 3000  |      | μs    |
| PW <sub>CLOCK</sub>                               | Clock Pulse Width  |                            | 1   | 150   |      | μs    |
| t <sub>pd0</sub>                                  | Propagation Delay to a Logical "0" From Print to Motor Drive Out                               |                            |     |       | 100  | μs    |
| t <sub>pd1</sub>                                  | Propagation Delay to a Logical "1" From Motor Stop (High-to-Low Transition) to Motor Drive Out | Print = 0.0V, Clock = 7.0V |     |       | 10   | μs    |
| <b>TIMING SIGNAL BUFFER (DS8694) (Figure 5)</b>   |  |                            |     |       |      |       |
| PW <sub>TIMING</sub>                              | Timing Signal Pulse Width  |                            |     | 1     |      | ns    |
| t <sub>r</sub>                                    | Rise Time  | C <sub>LOAD</sub> = 35 pF  |     |       | 500  | ns    |
| t <sub>f</sub>                                    | Fall Time  | C <sub>LOAD</sub> = 35 pF  |     |       | 500  | ns    |
| t <sub>pd0</sub>                                  | Propagation Delay to a Logical "0" From Timing In to Timing Out                                |                            |     |       | 10   | μs    |
| t <sub>pd1</sub>                                  | Propagation Delay to a Logical "1" From Timing In to Timing Out                                |                            |     |       | 10   | μs    |
| <b>CLOCK OSCILLATOR (DS8694) (Figure 7)</b>       |  |                            |     |       |      |       |
| f <sub>osc</sub>                                  | Oscillator Frequency   | (Note 5)                   | 85  | 100   | 115  | kHz   |
| d   | Duty Cycle   |                            | 40  | 50    | 60   | %     |
| t <sub>r</sub>                                    | Rise Time  | C <sub>LOAD</sub> = 35 pF  |     |       | 500  | ns    |
| t <sub>f</sub>                                    | Fall Time  | C <sub>LOAD</sub> = 35 pF  |     |       | 500  | ns    |



**Note 1:** "Absolute Maximum Ratings" are those values beyond which the safety of the device cannot be guaranteed. Except for "Operating Temperature Range" they are not meant to imply that the devices should be operated at these limits. The table of "Electrical Characteristics" provides conditions for actual device operation

**Note 2:** Unless otherwise specified min/max limits apply across the 0°C to +70°C range for the DS8692, DS8693, DS8694. All typicals are given for  $V_{CC} = 5.0V$  and  $T_A = 25^\circ C$ .

**Note 3:** All currents into device pins shown as positive, out of device pins as negative, all voltages referenced to ground unless otherwise noted. All values shown as max or min on absolute basis.

**Note 4:** Ratings refer to a high current point where collector-emitter voltage is lowest.

**Note 5:** Oscillator frequency is determined by external R between "Osc R" and "Osc C" and external C from "Osc C" to ground.  $2k > R > 20k$ .

**Note 6:** Column outputs operate on approximately 1/16 duty cycle in normal operation.

### system connection diagram

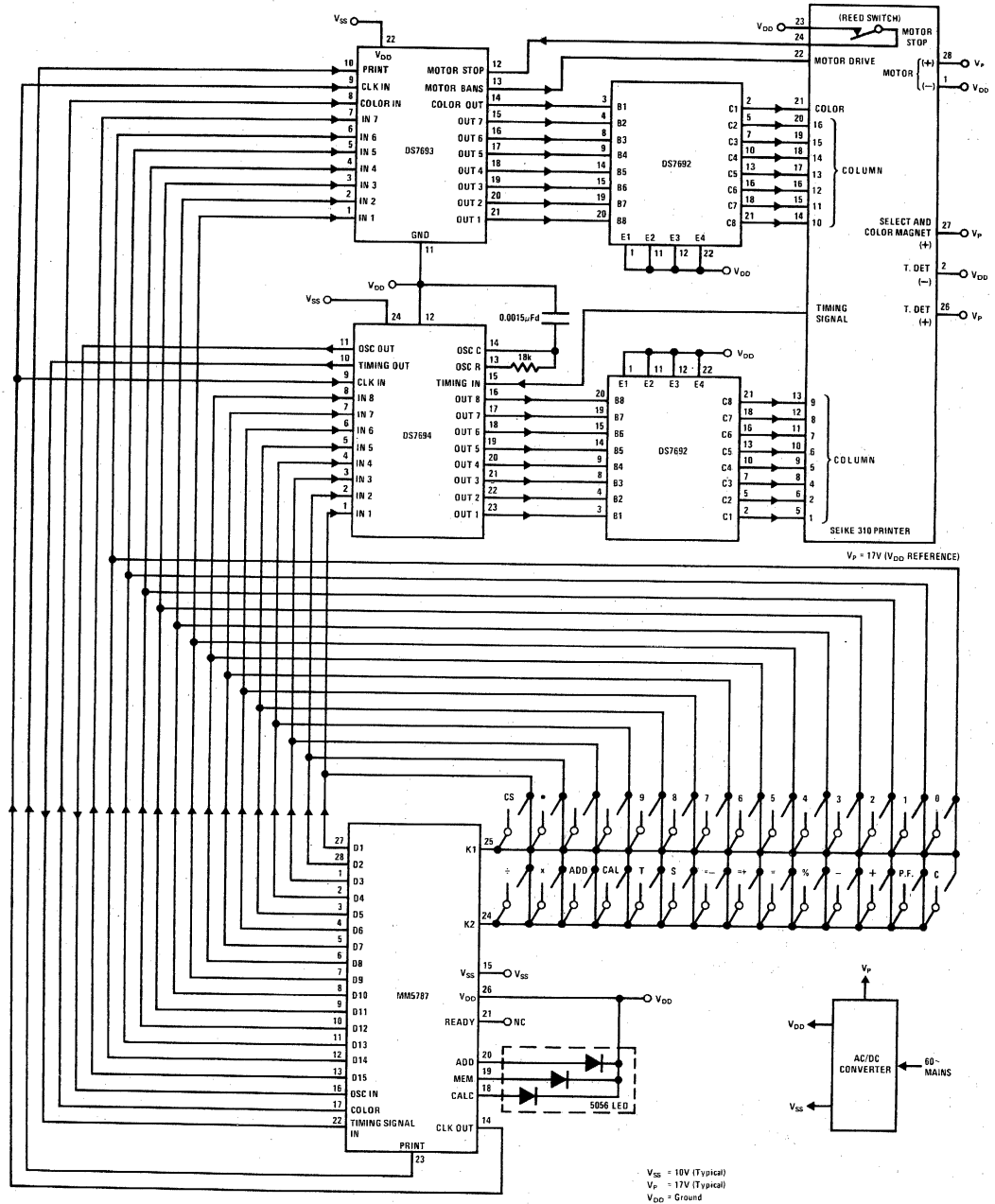
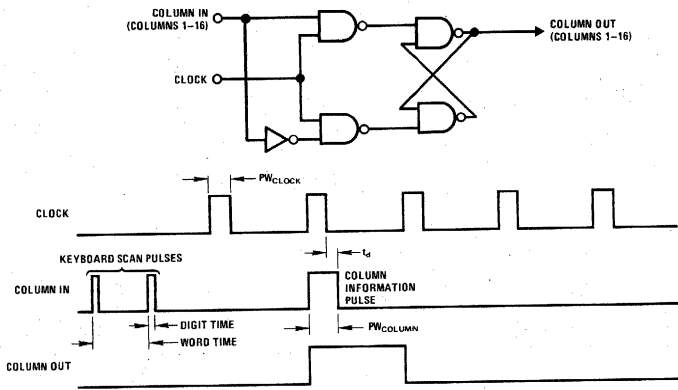


FIGURE 1.

Logic and Timing Diagrams



Switching Time Waveforms

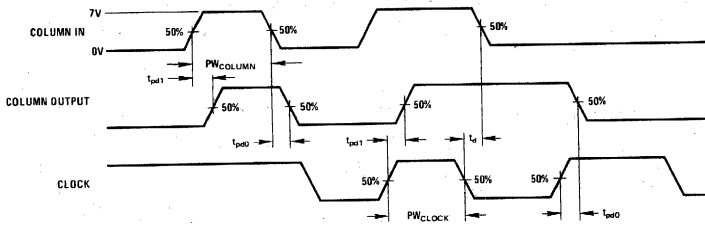


FIGURE 3. DS8693/DS8694 Column Driver

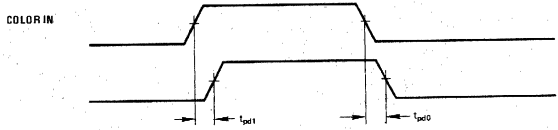
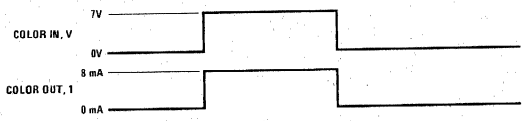
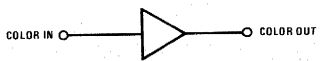


FIGURE 4. DS8693 Color Driver

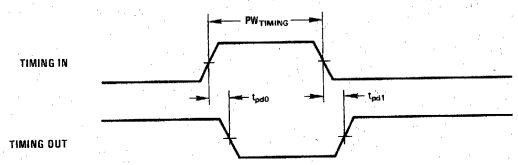
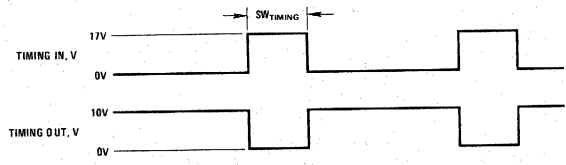
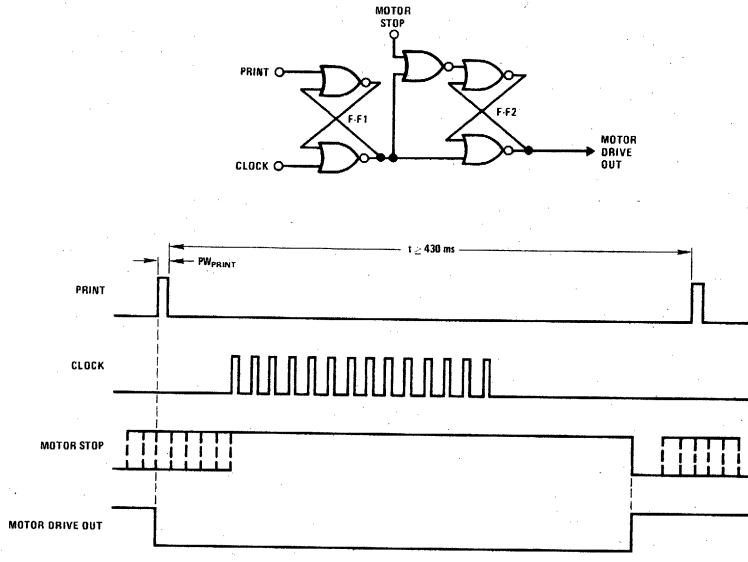


FIGURE 5. DS8694 Timing Signal Buffer

Logic and Timing Diagrams



Switching Time Waveforms

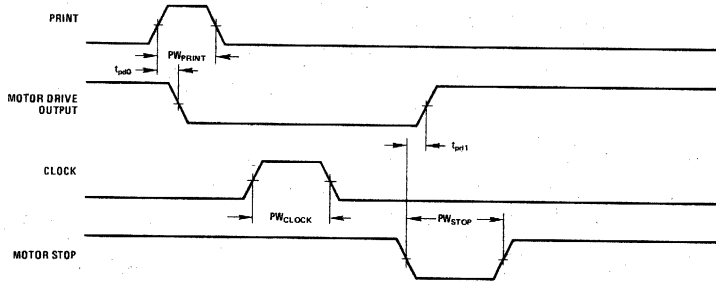


FIGURE 6. DS7693 Motor Drive Circuit

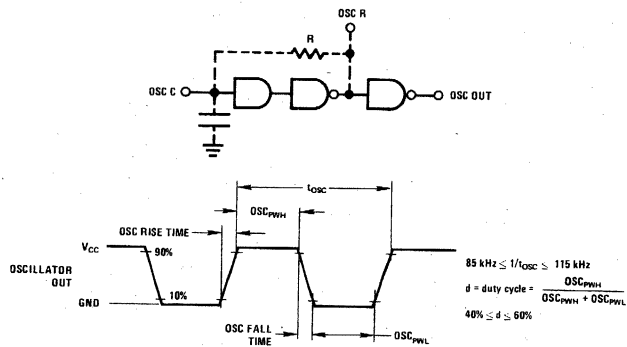


FIGURE 7. DS8694 Oscillator Diagram



## DS8867 8-segment driver

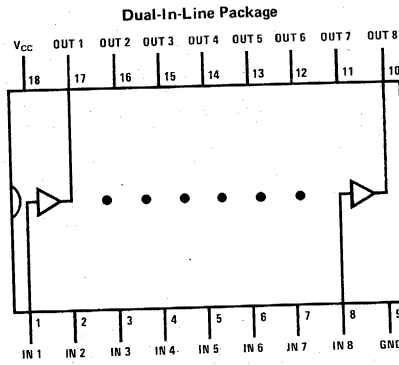
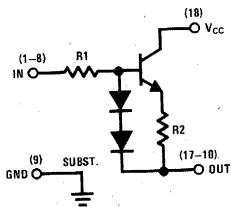
### general description

The DS8867 is an 8-segment driver designed to be driven from MOS circuits operating at  $8V \pm 10\%$  minimum  $V_{SS}$  supply and will supply 14 mA to a LED display. The output current is insensitive to  $V_{CC}$  variations.

### features

- Internal current control—no external resistors
- 100% efficient, no standby power
- Operates in three and four cell battery systems
- Inputs and outputs grouped for easy PC layout

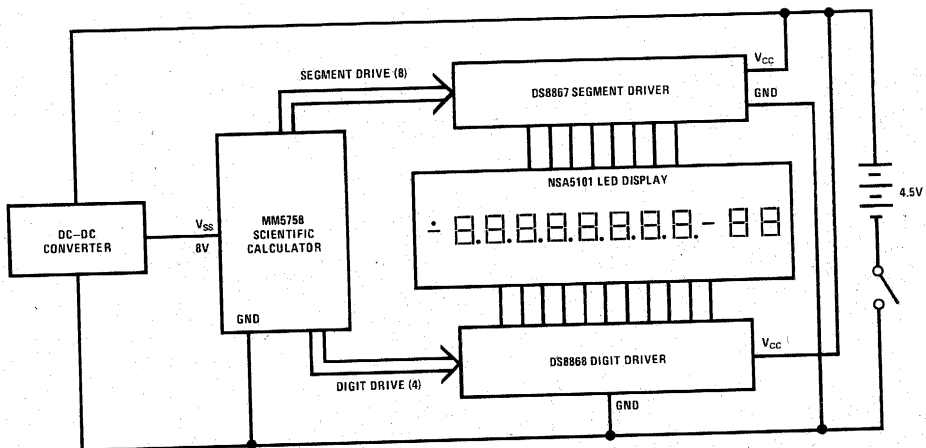
### schematic and connection diagrams



TOP VIEW  
Order Number DS8867N  
See Package 20

### typical application

Typical 3 Cell Scientific Calculator Circuit



**absolute maximum ratings** (Note 1)

|  |                 |
|--|-----------------|
| Supply Voltage                           | 7V              |
| Input Voltage                            | 10V             |
| Output Voltage                           | 10V             |
| Storage Temperature Range                | -65°C to +150°C |
| Lead Temperature (Soldering, 10 seconds) | 300°C           |

**operating conditions**

|                          | MIN | MAX | UNITS |
|--------------------------|-----|-----|-------|
| Supply Voltage, $V_{CC}$ | 3.3 | 6.0 | V     |
| Temperature, $T_A$       | 0   | +70 | °C    |

**electrical characteristics** (Note 2)

| PARAMETER            |                            | CONDITIONS  | MIN  | TYP  | MAX | UNITS   |         |
|----------------------|----------------------------|---|--|------|-----|---------|---------|
| $V_{IH}$             | Logical "1" Input Voltage  | $V_{CC} = \text{Min}, V_{OH} = 2.3V, I_{IH} = 500\mu A$ |  | 4.9  | 5.4 | V       |         |
| $I_{IL}$             | Logical "0" Input Current  | $V_{CC} = \text{Max}, V_{OL} = 1.8V, V_{IL} = 2.0V$     |  | 0.1  | 10  | $\mu A$ |         |
| $I_{OH}$             | Logical "1" Output Current | $V_{CC} = \text{Min}, V_{OH} = 2.3V, I_{IH} = 500\mu A$ | -8   | -14  | -18 | mA      |         |
| $I_{OL}$             | Logical "0" Output Current | $V_{CC} = \text{Max}, V_{OL} = 1.0V, V_{IL} = 1.3V$     |  | -0.5 | -10 | $\mu A$ |         |
| $I_{CC \text{ OFF}}$ | Supply Current             | $V_{CC} = \text{Max}$                                   | All $V_{OL} = 1.0V, V_{IL} = 1.3V, (\text{Standby})$ |      | 4   | 50      | $\mu A$ |
| $I_{CC \text{ ON}}$  |                            |   | All $V_{OH} = 2.3V, V_{IH} = 7.8V$                   |      | 112 | 150     | mA      |

**Note 1:** "Absolute Maximum Ratings" are those values beyond which the safety of the device cannot be guaranteed. Except for "Operating Temperature Range" they are not meant to imply that the devices should be operated at these limits. The table of "Electrical Characteristics" provides conditions for actual device operation.

**Note 2:** Unless otherwise specified min/max limits apply across the 0°C to +70°C



## DS8868 12-digit decoder/driver

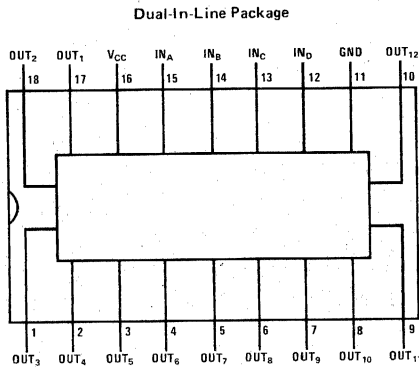
### general description

The DS8868 is a 12-digit decoder/driver designed to drive LED displays like the NSA5101 from the MM5758 calculator chip or equivalent which supplies a 4-line coded input (see truth table). It is designed to operate from a 3 cell battery (3.3V to 4.5V) and features a low battery indicator. The DS8868 can sink up to 110 mA min on each output.

### features

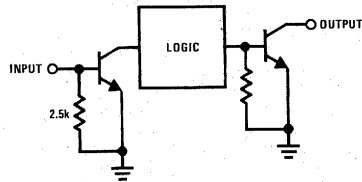
- Direct interface with MM5758 calculator
- Low battery indicator
- 110 mA sink capability
- Low voltage operation

### connection diagram



Order Number DS8868N  
See Package 20

### equivalent schematic



### truth table

| INPUTS          |                 |                 |                 | OUTPUTS* |    |    |    |    |    |    |    |    |     |     |     |
|-----------------|-----------------|-----------------|-----------------|----------|----|----|----|----|----|----|----|----|-----|-----|-----|
| IN <sub>A</sub> | IN <sub>B</sub> | IN <sub>C</sub> | IN <sub>D</sub> | O1       | O2 | O3 | O4 | O5 | O6 | O7 | O8 | O9 | O10 | O11 | O12 |
| L               | L               | L               | H               | L        |    |    |    |    |    |    |    |    |     |     |     |
| H               | L               | L               | L               |          | L  |    |    |    |    |    |    |    |     |     |     |
| H               | H               | L               | L               |          |    | L  |    |    |    |    |    |    |     |     |     |
| L               | H               | H               | L               |          |    |    | L  |    |    |    |    |    |     |     |     |
| H               | L               | H               | H               |          |    |    |    | L  |    |    |    |    |     |     |     |
| L               | H               | L               | H               |          |    |    |    |    | L  |    |    |    |     |     |     |
| H               | L               | H               | L               |          |    |    |    |    |    | L  |    |    |     |     |     |
| H               | H               | L               | H               |          |    |    |    |    |    |    | L  |    |     |     |     |
| H               | H               | H               | L               |          |    |    |    |    |    |    |    | L  |     |     |     |
| H               | H               | H               | H               |          |    |    |    |    |    |    |    |    | L   |     |     |
| L               | L               | H               | H               |          |    |    |    |    |    |    |    |    |     | L   |     |
| L               | H               | H               | H               |          |    |    |    |    |    |    |    |    |     |     | L   |

\*A blank implies an H

**absolute maximum ratings** (Note 1)

|  |               |
|--|---------------|
| Supply Voltage                           | 6V            |
| Input Current                            | 10 mA         |
| Output Voltage                           | 9V            |
| Storage Temperature Range                | -65 to +150°C |
| Lead Temperature (Soldering, 10 seconds) | 300°C         |

**operating conditions**

|                          | MIN | MAX | UNITS |
|--------------------------|-----|-----|-------|
| Supply Voltage, $V_{CC}$ | 3.3 | 4.5 | V     |
| Temperature, $T_A$       | 0   | +70 | °C    |

**electrical characteristics** (Notes 2 and 3)

| PARAMETER  | CONDITIONS  | MIN | TYP | MAX  | UNITS   |
|--|---|-----|-----|------|---------|
| $I_{IH}$ Logical "1" Input Current                   | $V_{CC} = \text{Min}$ , Selected Output $V_{OL} \leq 0.4V$            |     | 300 | 450  | $\mu A$ |
| $V_{ILV}$ Low Voltage Indicator (Measured on Pin 15) | $V_{CC} = 3.1V$ , $T_A = 25^\circ C$ , $I_{INC} = I_{IND} = 450\mu A$ | 2.8 |     |      | V       |
| $I_{IL}$ Logical "0" Input Current                   | $V_{CC} = \text{Min}$ , Selected Output $I_{OM} \leq 50\mu A$         | 100 | 300 |      | $\mu A$ |
| $I_{OH}$ Logical "1" Output Current                  | $V_{CC} = \text{Max}$ , $V_{OH} = 7.0V$ , All Outputs "OFF"           |     |     | 100  | $\mu A$ |
| $V_{OL}$ Logical "0" Output Voltage                  | $V_{CC} = \text{Min}$ , $I_{OL} = 110 \text{ mA}$                     |     |     | 0.5  | V       |
| $I_{CC}$ Supply Current "OFF"                        | $V_{CC} = \text{Max}$ , All Outputs "OFF", $V_{OH} = 5V$              |     |     | 8.0  | mA      |
| $I_{CC}$ Supply Current "ON"                         | $V_{CC} = \text{Max}$ , One Output Selected                           |     |     | 11.0 | mA      |

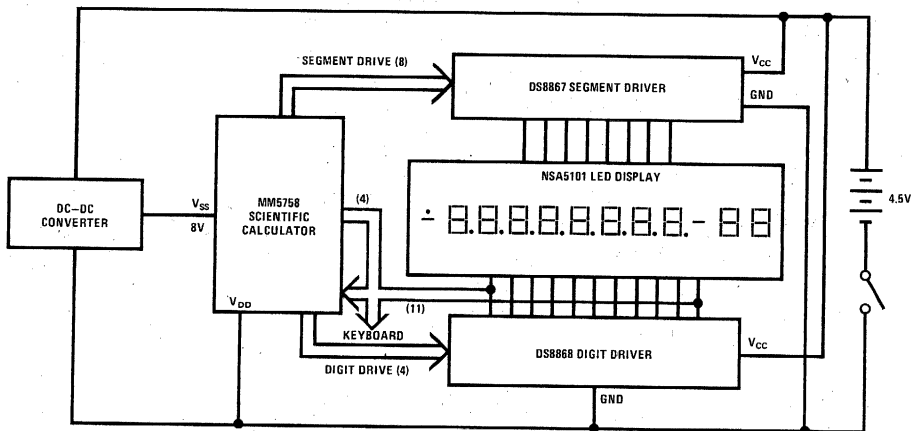
**Note 1:** "Absolute Maximum Ratings" are those values beyond which the safety of the device cannot be guaranteed. Except for "Operating Conditions" they are not meant to imply that the devices should be operated at these limits. The table of "Electrical Characteristics" provides conditions for actual device operation.

**Note 2:** Unless otherwise specified min/max limits apply across the 0°C to +70°C range. All typicals are given for  $V_{CC} = 4.0V$  and  $T_A = 25^\circ C$ .

**Note 3:** All currents into device pins shown as positive, out of device pins as negative, all voltages referenced to ground unless otherwise noted. All values shown as max or min on absolute value basis.

**typical application**

Typical 3-Cell Scientific Calculator Circuit





## DS8871, DS8872, DS8873, DS8977 saturating LED cathode drivers

### general description

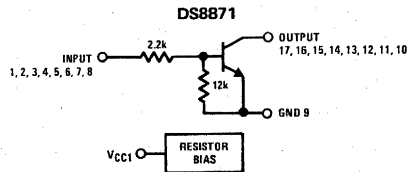
The DS8871, DS8872, DS8873 and DS8977 are bipolar integrated circuits designed to interface between MOS calculator circuits and common cathode LED displays operating in the multiplexed mode with a digit current of up to 40 milliamps. The DS8871 is an 8-digit driver; the DS8872 is a 9-digit driver; and the DS8873 is a 9-digit driver with a built-in battery condition indicator that turns on the digit 9 decimal point when the battery voltage drops to 6.5V (typical). The DS8977 is a 7-digit version of the DS8873. In a typical calculator system operating on a 9V battery, the low battery indicator

comes on as a warning that the battery should be replaced. But the calculator (MM5737 or equivalent) will still function properly for awhile.

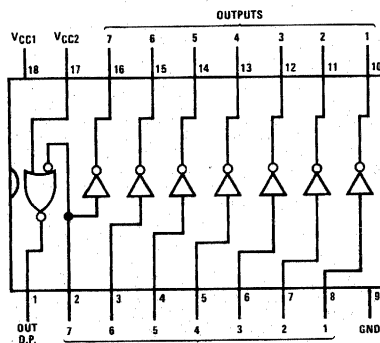
### features

- Single saturating transistor output
- Low battery indicator
- MOS compatible inputs
- Inputs and outputs clustered for easy wiring
- Drivers consume no standby power

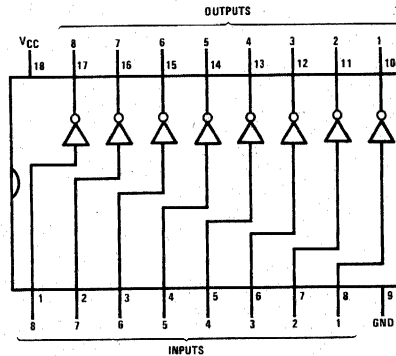
### schematic diagram



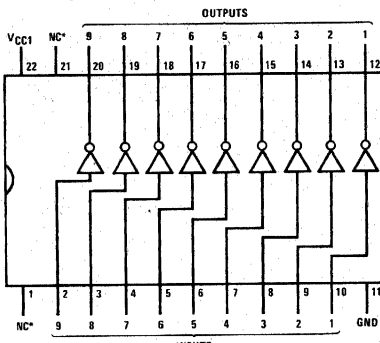
### connection diagrams (Dual-In-Line Packages, Top Views)



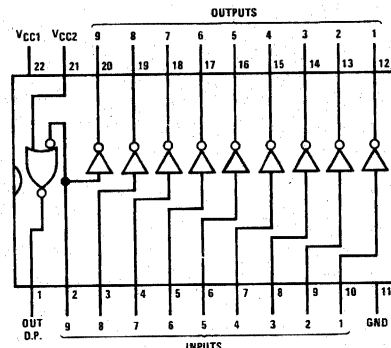
Order Number DS8977N  
See Package 20



Order Number DS8871N  
See Package 20



Order Number DS8872N  
See Package 21



Order Number DS8873N  
See Package 21



### absolute maximum ratings (Note 1)

|  |                 |
|--|-----------------|
| Supply Voltage                           | VCC1 = 11V      |
| Supply Voltage (Note 4)                  | VCC2 = 11V      |
| Input Voltage                            | 11V             |
| Output Voltage                           | 8V              |
| Storage Temperature Range                | -65°C to +125°C |
| Lead Temperature (Soldering, 10 seconds) | 300°C           |

### operating conditions

|                               | MIN | MAX | UNITS |
|-------------------------------|-----|-----|-------|
| Supply Voltage, VCC1          | 4.0 | 9.5 | V     |
| Supply Voltage, VCC2 (Note 4) | 4.0 | 9.5 | V     |
| Temperature, T <sub>A</sub>   | 0   | +70 | °C    |

### electrical characteristics (Notes 2 and 3)

| PARAMETER            | CONDITIONS                   | MIN   | TYP  | MAX  | UNITS |
|----------------------|------------------------------|---|------|------|-------|
| I <sub>IL</sub>      | Logical "0" Input Current    | V <sub>IN</sub> = 0.4V  |      | 1    | μA    |
| I <sub>IH</sub>      | Logical "1" Input Current    | V <sub>IN</sub> = 4.5V  |      | 1.7  | mA    |
| V <sub>OL</sub>      | Logical "0" Output Voltage   | V <sub>IN</sub> = 3.2V, I <sub>OL</sub> = 40 mA                         |      | 0.35 | V     |
| I <sub>OL</sub>      | Logical "0" Output Current   | V <sub>IN</sub> = 3.2V, V <sub>OL</sub> = 0.5V                          | 40   |      | mA    |
| I <sub>CEX</sub>     | Output Leakage Current       | V <sub>OH</sub> = 6V, I <sub>IN</sub> = 25 μA                           |      | 40   | μA    |
| I <sub>DP(ON)</sub>  | Decimal Point Output Current | VCC2 = 6.25V, V <sub>DP</sub> = 2.5V, V <sub>IN9</sub> = 3.2V, (Note 4) | -5.0 | -7.0 | mA    |
| I <sub>DP(OFF)</sub> | Decimal Point Output Current | VCC2 = 7V, V <sub>IN9</sub> = 3.2V, V <sub>DP</sub> = 1V, (Note 4)      |      | -1   | μA    |
| I <sub>CC1</sub>     | Supply Current, VCC1         | VCC1 = 6.5V, V <sub>IN</sub> = 0V                                       |      | 1    | μA    |
| I <sub>CC2</sub>     | Supply Current, VCC2         | VCC2 = 11.3V, V <sub>IN9</sub> = 4.5V, (Note 4)                         |      | 0.9  | mA    |

**Note 1:** "Absolute Maximum Ratings" are those values beyond which the safety of the device cannot be guaranteed. Except for "Operating Temperature Range" they are not meant to imply that the devices should be operated at these limits. The table of "Electrical Characteristics" provides conditions for actual device operation.

**Note 2:** Unless otherwise specified min/max limits apply across the 0°C to +70°C range.

**Note 3:** All currents into device pins shown as positive, out of device pins as negative, all voltages referenced to ground unless otherwise noted. All values shown as max or min on absolute value basis.

**Note 4:** Applies to DS8873 only.

### typical applications

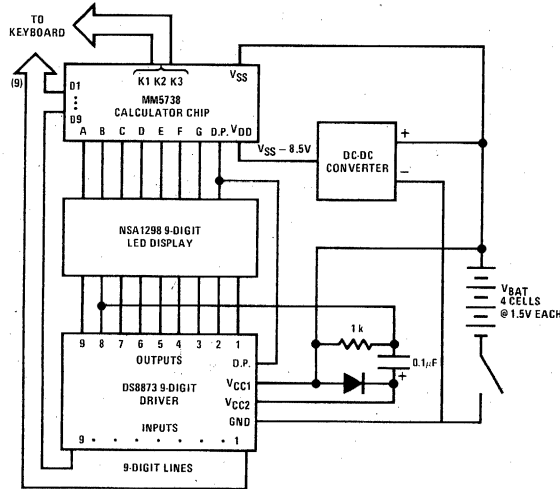


FIGURE 1. 4-Cell System

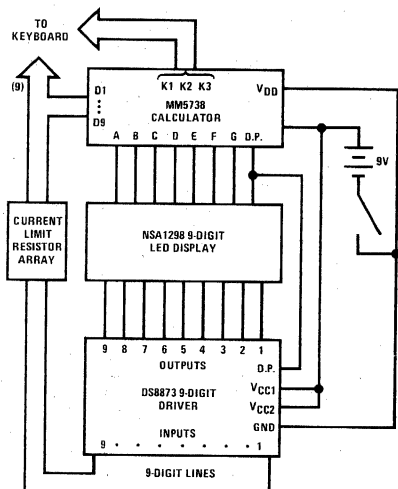


FIGURE 2. 2.9V System



## DS8874 9-digit shift input LED driver

### general description

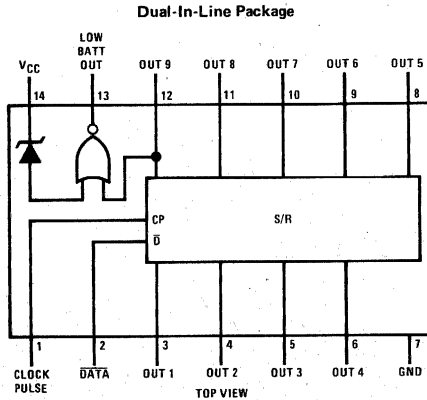
The DS8874 is a 9-digit LED driver which incorporates a shift register input decoding circuit and a low battery indicator. Outputs will sink 110 mA at less than 0.5V drop when sequentially selected. When the VCC supply falls below 6.5V typical, segment current will be furnished at digit 9 time to indicate a low battery condition. Pin 13 is generally connected to the decimal point segment on the display so that when a low battery condition exists, the left-most decimal point lights up. The digit driver is intended to be used with the

MM5784N 5-function, 9-digit accumulating memory calculator circuit, or any other circuit which supplies the 9-digit information in a similar serial format.

### features

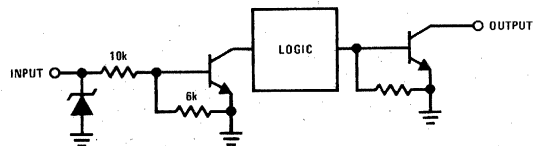
- 110 mA digit sink
- Low battery indicator
- Minimum number of connections
- MOS compatible inputs

### connection diagram



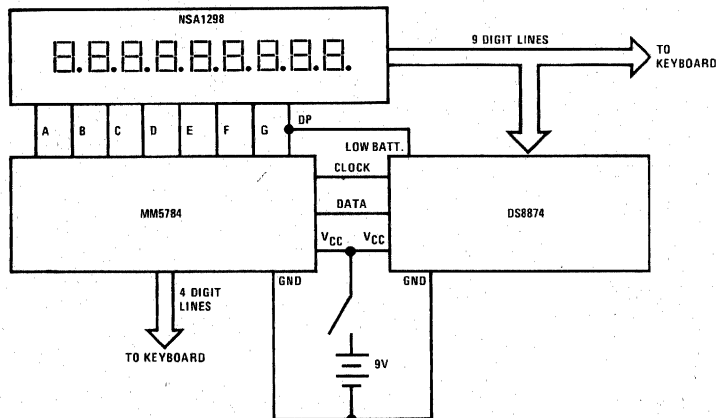
Order Number DS8874N  
See Package 18

### equivalent schematic



### typical application

Typical Application of the DS8874 Digit Driver with the MM5784 5-Function Calculator Circuit, NSA1298 9-Digit LED Display and a 9V Battery



**absolute maximum ratings** (Note 1)

**operating conditions**

|  |                 |
|--|-----------------|
| Supply Voltage                           | 10V             |
| Input Voltage                            | 3V              |
| Output Voltage                           | 10V             |
| Storage Temperature Range                | -65°C to +150°C |
| Lead Temperature (Soldering, 10 seconds) | 300°C           |

|                                   |     |     |       |
|-----------------------------------|-----|-----|-------|
| Supply Voltage (V <sub>CC</sub> ) | MIN | MAX | UNITS |
| Temperature (T <sub>A</sub> )     | 6.0 | 9.5 | V     |
|                                   | 0   | +70 | °C    |

**electrical characteristics**

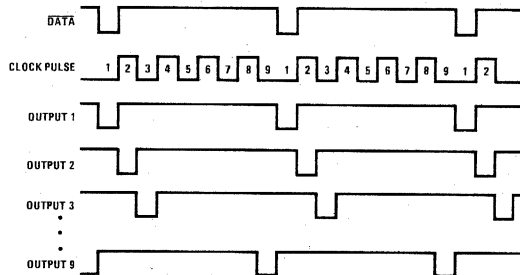
| PARAMETER        | CONDITIONS  | MIN | TYP         | MAX      | UNITS |
|------------------|---|-----|-------------|----------|-------|
| I <sub>IH</sub>  | Logical "1" Input Current<br>V <sub>CC</sub> = Max, V <sub>IN</sub> = 3V  |     | 0.25        | 0.4      | mA    |
| I <sub>IL</sub>  | Logical "0" Input Current<br>V <sub>CC</sub> = Max, V <sub>IN</sub> = 0.8V  |     | 0.05        | 0.1      | mA    |
| V <sub>CCL</sub> | Decimal Point "ON"<br>V <sub>dp</sub> = 2.3V, I <sub>dp</sub> = -4 mA, O <sub>9</sub> = V <sub>OL</sub>   |     |             | 6.0      | V     |
| V <sub>CCH</sub> | Decimal Point "OFF"<br>V <sub>dp</sub> = 1V, I <sub>dp</sub> = -10µA, O <sub>9</sub> = V <sub>OL</sub>  | 7.0 |             |          | V     |
| I <sub>OH</sub>  | Logical "1" Output Current<br>V <sub>CC</sub> = Max, Output Not Selected  |     |             | 100      | µA    |
| V <sub>OL</sub>  | Logical "0" Output Voltage<br>V <sub>CC</sub> = Min, Output Selected, I <sub>O1</sub> = 80 mA<br>V <sub>CC</sub> = Max, Output Selected, I <sub>O1</sub> = 110 mA |     | 0.45<br>0.6 | 1<br>1.5 | V     |
| I <sub>CC</sub>  | Supply Current<br>V <sub>CC</sub> = Max, One Output Selected  |     | 13          | 17       | mA    |

**Note 1:** "Absolute Maximum Ratings" are those values beyond which the safety of the device cannot be guaranteed. Except for "Operating Temperature Range" they are not meant to imply that the device should be operated at these limits. The table of "Electrical Characteristics" provides conditions for actual device operation.

**Note 2:** Unless otherwise specified min/max limits apply across the 0°C to +70°C range. All typicals are given for T<sub>A</sub> = 25°C.

**Note 3:** All currents into device pins shown as positive, out of device pins as negative, all voltages referenced to ground unless otherwise noted. All values shown as max or min on absolute value basis.

**timing diagram** (Upper Level More Positive)





## DS8877 6-digit LED driver

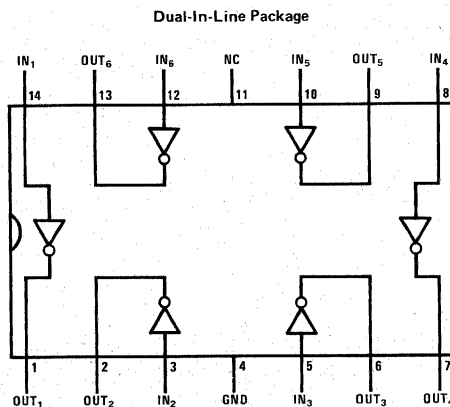
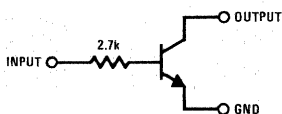
### general description

The DS8877 is a 6-digit LED driver designed as a pin-for-pin replacement for the DS75492 in applications where digit current is in the 5 to 50 mA range. Since the outputs saturate to less than 0.6V, the DS8877 will work on lower battery voltages than most digit drivers. The DS8877 draws *no* standby power.

### features

- No standby power
- No supply connection
- Operates in 4.5V, 6V or 9V systems
- Pin-for-pin replacement for DS75492 in low current applications

### logic and connection diagrams



TOP VIEW

Order Number DS8877N  
See Package 18

### absolute maximum ratings (Note 1)

|  |                 |
|--|-----------------|
| Supply Voltage                           | None Required   |
| Input Voltage                            | 10V             |
| Output Voltage                           | 10V             |
| Operating Temperature Range              | 0 to +70°C      |
| Storage Temperature Range                | -65°C to +150°C |
| Lead Temperature (Soldering, 10 seconds) | 300°C           |

### electrical characteristics (Notes 2 and 3)

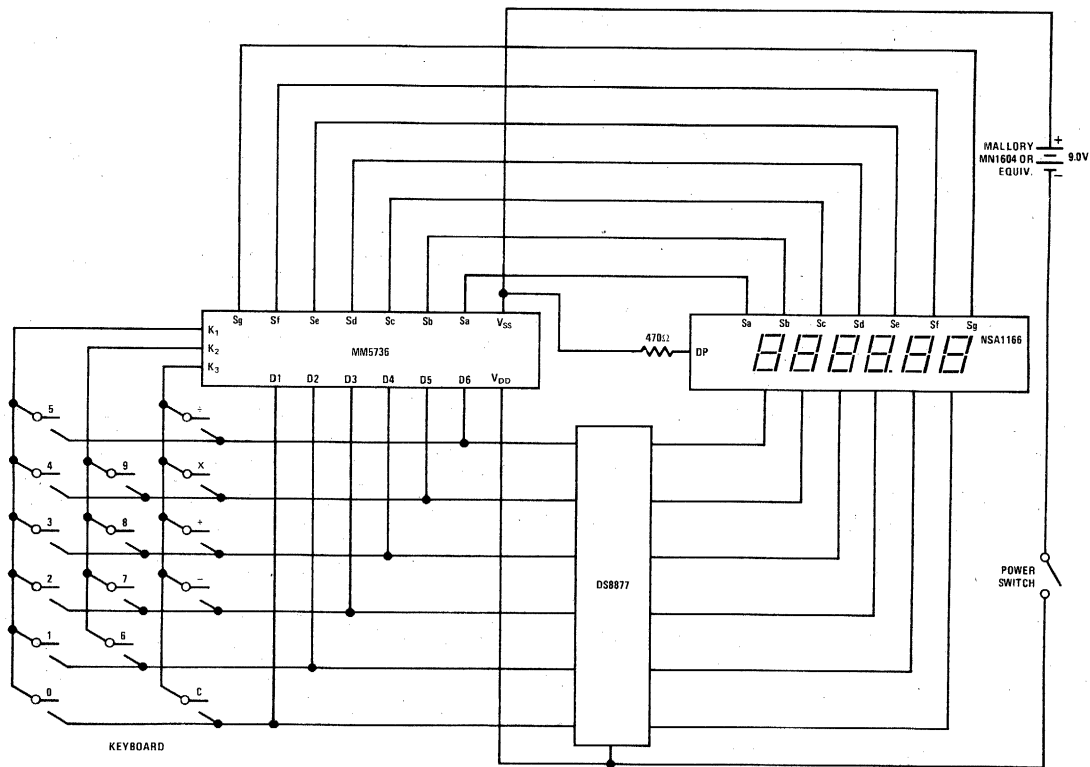
| PARAMETER                            | CONDITIONS                      | MIN | TYP | MAX  | UNITS   |
|--------------------------------------|---------------------------------|-----|-----|------|---------|
| $V_{IH}$ Logical "1" Input Voltage   | $V_{IH} = 5.0V$                 | 5.0 |     |      | V       |
| $I_{IH}$ Logical "1" Input Current   |                                 |     |     | 1.2  | mA      |
| $V_{IL}$ Logical "0" Input Voltage   |                                 |     |     | 0.35 | V       |
| $I_L$ Logical "0" Input Current      | $V_{IL} = 0.35V$                |     |     | 20   | $\mu A$ |
| $I_{CEX}$ Logical "1" Output Current | $V_C = 8.0V, V_{IN} = 0.35V$    |     |     | 100  | $\mu A$ |
| $V_{OL}$ Logical "0" Output Voltage  | $I_{OL} = 35 mA, V_{IN} = 5.0V$ |     |     | 0.5  | V       |
| $I_{OL}$ Logical "0" Output Current  | $V_{OL} = 0.5V, V_{IN} = 5.0V$  | 35  | 50  |      | mA      |

**Note 1:** "Absolute Maximum Ratings" are those values beyond which the safety of the device cannot be guaranteed. Except for "Operating Temperature Range" they are not meant to imply that the devices should be operated at these limits. The table of "Electrical Characteristics" provides conditions for actual device operation.

**Note 2:** Unless otherwise specified min/max limits apply across the 0°C to +70°C range. All typicals are given for  $T_A = 25^\circ C$ .

**Note 3:** All currents into device pins shown as positive, out of device pins as negative, all voltages referenced to ground unless otherwise noted. All values shown as max or min on absolute value basis.

### typical application



Calculator Configuration with MM5736 6-Digit Calculator



## DS8892 programmable hex LED digit driver

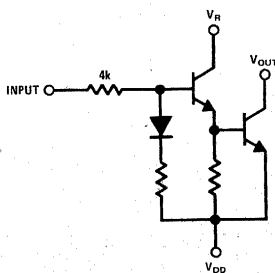
### general description

The DS8892 is a hex LED digit driver similar to the DS75494, except that the DS8892 is programmable. The DS8892 will sink up to 200 mA per output, and the open collector outputs withstand a minimum of 8.8V in the off state. The main application of the DS8892 is to interface between MOS circuits and common cathode LED displays in systems where low battery drain is important. The DS8892, through the use of a single external resistor, allows the base drive to the output transistors to be programmed to the desired amount, thus saving battery current.

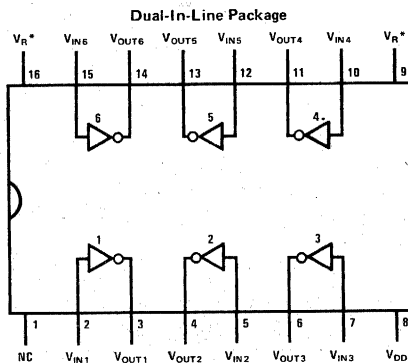
### features

- Presettable current drain
- 200 mA sink capability
- MOS compatible inputs
- Low voltage operation

### schematic and connection diagrams



ONE OF SIX DRIVER SHOWN

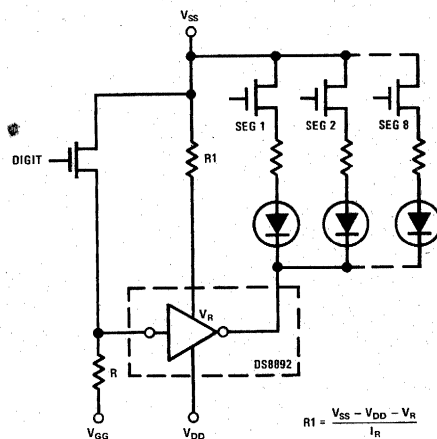


TOP VIEW

\*Pins 9 and 16 tied together internally.

Order Number DS8892N  
See Package 19

### typical application



$$R1 = \frac{V_{SS} - V_{DD} - V_R}{I_R}$$

**absolute maximum ratings** (Note 1)

|  |                 |
|--|-----------------|
| Supply Voltage, $V_{SS}$ (Note 2)        | 8.8V            |
| Input Voltage                            | 8.8V            |
| Output Voltage                           | 8.8V            |
| Storage Temperature Range                | -65°C to +150°C |
| Operating Temperature Range              | 0°C to +70°C    |
| Lead Temperature (Soldering, 10 seconds) | 300°C           |

**electrical characteristics** (Notes 2 and 3)  $V_{DD} = 0V$

| PARAMETER                                | CONDITIONS   | MIN   | TYP | MAX  | UNITS   |
|--|--|---|-----|------|---------|
| $I_{IL}$ Logical "0" Input Current       | $V_{SS} = 8.8V, R_1 = 300\Omega, I_{OUT} = 400\mu A$               | 50  |     |      | $\mu A$ |
| $I_{IH}$ Logical "1" Input Current       | $V_{SS} = 8.8V, R_{IN} = 45\Omega, I_R = 6 mA, I_{OUT} = 80 mA$    |   |     | 2.7  | mA      |
| $V_R$ Logical "0" Phase-Splitter Voltage | $V_{SS} = 6.0V, R_{IN} = 45\Omega, I_R = 6 mA, I_{OUT} = 80 mA$    | 0.9   |     | 1.4  | V       |
| $I_{OH}$ Logical "1" Output Current      | $V_{SS} = 8.8V, I_{IN} = 50\mu A, R_1 = 300\Omega, V_{OUT} = 8.5V$ |   |     | 400  | $\mu A$ |
| $V_{OL}$ Logical "0" Output Voltage      | $R_{IN} = 140\Omega$   | $V_{SS} = 3.0V, I_R = 2 mA, I_{OUT} = 25 mA$    |     | 0.35 | V       |
|  |  | $V_{SS} = 3.8V, I_R = 5.7 mA, I_{OUT} = 50 mA$  |     | 0.35 | V       |
|  |  | $V_{SS} = 4.5V, I_R = 7.7 mA, I_{OUT} = 100 mA$ |     | 0.40 | V       |
|  |  | $V_{SS} = 6.0V, I_R = 12 mA, I_{OUT} = 200 mA$  |     | 0.50 | V       |

**switching characteristics**

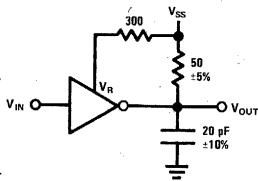
| PARAMETER                                       | CONDITIONS                             | MIN | TYP | MAX | UNITS   |
|---|--|-----|-----|-----|---------|
| $t_{P(ON)}$ Propagation Delay to a Logical "0"  | (See AC Test Circuit), $V_{SS} = 6.0V$ |     |     | 800 | ns      |
| $t_{P(OFF)}$ Propagation Delay to a Logical "1" | (See AC Test Circuit), $V_{SS} = 6.0V$ |     |     | 1.2 | $\mu s$ |

**Note 1:** "Absolute Maximum Ratings" are those values beyond which the safety of the device cannot be guaranteed. Except for "Operating Temperature Range" they are not meant to imply that the devices should be operated at these limits. The table of "Electrical Characteristics" provides conditions for actual device operation.

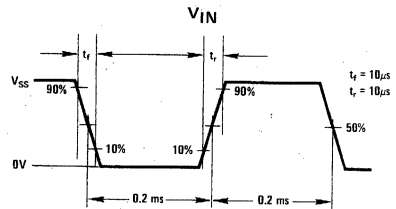
**Note 2:**  $V_{SS}$  is an external system supply, used as shown in the dc test circuit ( $V_{DD} = 0V$ ).

**Note 3:** All currents into device pins shown as positive, out of device pins as negative. All voltages referenced to ground unless otherwise noted. All values shown as maximum or minimum on absolute value basis.

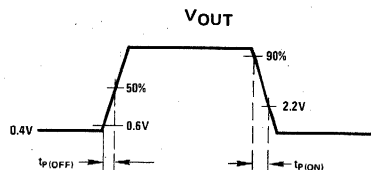
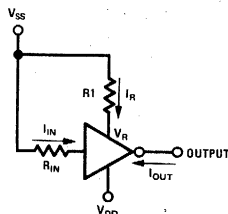
**ac test circuit**



**switching time waveforms**



**dc test circuit**







**absolute maximum ratings** (Note 1)

|  | DS75491         | DS75492         |
|--|-----------------|-----------------|
| Input Voltage Range (Note 4)   | -5V to $V_{SS}$ | -5V to $V_{SS}$ |
| Collector Output Voltage (Note 5)                                      | 10V             | 10V             |
| Collector Output to Input Voltage                                      | 10V             | 10V             |
| Emitter to Ground Voltage ( $V_1 \geq 5V$ )                            | 10V             |                 |
| Emitter to Input Voltage   | 5V              |                 |
| Voltage at $V_{SS}$ Terminal With Respect to Any Other Device Terminal | 10V             | 10V             |
| Collector Output Current   |                 |                 |
| Each Collector Output  | 50 mA           | 250 mA          |
| All Collector Outputs  | 200 mA          | 600 mA          |
| Continuous Total Dissipation   | 600 mW          | 600 mW          |
| Operating Temperature Range  | 0°C to +70°C    | 0°C to +70°C    |
| Storage Temperature Range  | -65°C to +150°C | -65°C to +150°C |
| Lead Temperature (Soldering, 10 sec)                                   | 300°C           | 300°C           |

**dc electrical characteristics**DS75491 ( $V_{SS} = 10V$ ,  $T_A = 0^\circ C$  to +70°C unless otherwise noted) (Notes 2 and 3)

| PARAMETER   | CONDITIONS   | MIN | TYP | MAX | UNITS   |
|---|--|-----|-----|-----|---------|
| $V_{CE\ ON}$ "ON" State Collector Emitter Voltage | Input = 8.5V through 1 k $\Omega$ , $T_A = 25^\circ C$ |     | 0.9 | 1.2 | V       |
|   | $V_E = 5V$ , $I_C = 50\ mA$                            |     |     | 1.5 | V       |
| $I_{C\ OFF}$ "OFF" State Collector Current        | $V_C = 10V$ , $I_{IN} = 40\ \mu A$                     |     |     | 100 | $\mu A$ |
|   | $V_E = 0V$ , $V_{IN} = 0.7V$                           |     |     | 100 | $\mu A$ |
| $I_I$ Input Current at Maximum Input Voltage      | $V_{IN} = 10V$ , $V_E = 0$ , $I_C = 20\ mA$            |     | 2.2 | 3.3 | mA      |
| $I_E$ Emitter Reverse Current                     | $V_{IN} = 0$ , $V_E = 5V$ , $I_C = 0$                  |     |     | 100 | $\mu A$ |
| $I_{SS}$ Current Into $V_{SS}$ Terminal           |  |     |     | 1   | mA      |

DS75492 ( $V_{SS} = 10V$ ,  $T_A = 0^\circ C$  to +70°C unless otherwise noted) (Notes 2 and 3)

| PARAMETER                                    | CONDITIONS   | MIN | TYP | MAX | UNITS   |
|--|--|-----|-----|-----|---------|
| $V_{OL}$ Low Level Output Voltage            | Input = 6.5V through 1 k $\Omega$ , $T_A = 25^\circ C$ |     | 0.9 | 1.2 | V       |
|  | $I_{OUT} = 250\ mA$                                    |     |     | 1.5 | V       |
| $I_{OH}$ High Level Output Current           | $V_{OH} = 10V$ , $I_{IN} = 40\ \mu A$                  |     |     | 200 | $\mu A$ |
|  | $V_{IN} = 0.5V$  |     |     | 200 | $\mu A$ |
| $I_I$ Input Current at Maximum Input Voltage | $V_{IN} = 10V$ , $I_{OL} = 20\ mA$                     |     | 2.2 | 3.3 | mA      |
| $I_{SS}$ Current Into $V_{SS}$ Terminal      |  |     |     | 1   | mA      |

**ac switching characteristics**DS75491 ( $V_{SS} = 7.5V$ ,  $T_A = 25^\circ C$ )

| PARAMETER  | CONDITIONS                           | MIN | TYP | MAX | UNITS |
|--|--------------------------------------|-----|-----|-----|-------|
| $t_{PLH}$ Propagation Delay Time, Low-to-High Level Output (Collector) | $V_{IH} = 4.5V$ , $V_E = 0$ ,        |     | 100 |     | ns    |
| $t_{PHL}$ Propagation Delay Time, High-to-Low Level Output (Collector) | $R_L = 200\ \Omega$ , $C_L = 15\ pF$ |     | 20  |     | ns    |

DS75492 ( $V_{SS} = 7.5V$ ,  $T_A = 25^\circ C$ )

| PARAMETER  | CONDITIONS                             | MIN | TYP | MAX | UNITS |
|--|--|-----|-----|-----|-------|
| $t_{PLH}$ Propagation Delay Time, Low-to-High Level Output | $V_{IH} = 7.5V$ , $R_L = 39\ \Omega$ , |     | 300 |     | ns    |
| $t_{PHL}$ Propagation Delay Time, High-to-Low Level Output | $C_L = 15\ pF$                         |     | 30  |     | ns    |

**Note 1:** "Absolute Maximum Ratings" are those values beyond which the safety of the device cannot be guaranteed. Except for "Operating Temperature Range" they are not meant to imply that the devices should be operated at these limits. The table of "Electrical Characteristics" provides conditions for actual device operation.

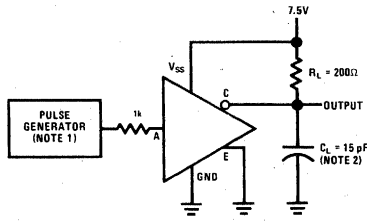
**Note 2:** Unless otherwise specified min/max limits apply across the 0°C to +70°C temperature range for the DS75491 and DS75492.

**Note 3:** All currents into device pins shown as positive, out of device pins as negative, all voltages referenced to ground unless otherwise noted. All values shown as max or min on absolute value basis.

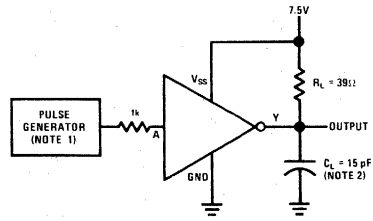
**Note 4:** The input is the only device terminal which may be negative with respect to ground.

**Note 5:** Voltage values are with respect to network ground terminal unless otherwise noted.

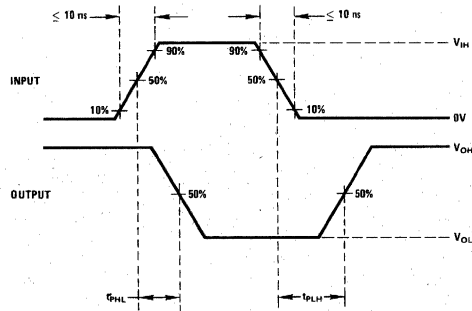
ac test circuits and switching time waveforms



DS75491



DS75492



Note 1: The pulse generator has the following characteristics:  $Z_{OUT} = 50\Omega$ ,  $PRR = 100\text{ kHz}$ ,  $t_W = 1\mu\text{s}$ .

Note 2:  $C_L$  includes probe and jig capacitance.



## DS75493 quad LED segment driver

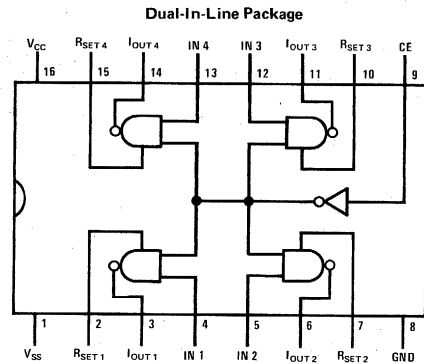
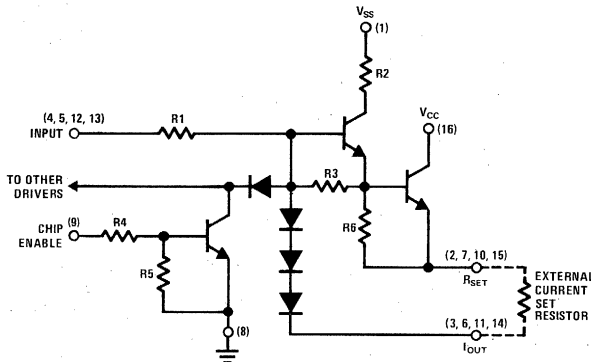
### general description

The DS75493 is a quad LED segment driver. It is designed to interface between MOS IC's and LED's. An external resistor is required for each segment to drive the output current which is approximately equal to  $0.7V/R_L$  and is relatively constant, independent of supply variations. Blanking can be achieved by taking the chip enable (CE) to a logical "1" level.

### features

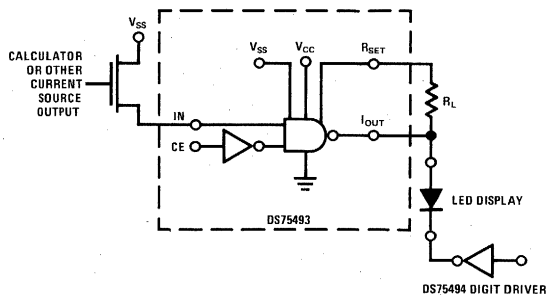
- Low voltage operation
- Low input current for MOS compatibility
- Low standby power
- Display blanking capability
- Output current regulation
- Quad high gain circuits

### schematic and connection diagrams



Order Number DS75493N  
See Package 19

### typical application



### truth table

| CE | V <sub>IN</sub> | I <sub>OUT</sub> |
|----|-----------------|------------------|
| 0  | 1               | ON               |
| 0  | 0               | OFF              |
| 1  | X               | OFF              |

X = Don't care

### absolute maximum ratings (Note 1)

|  |                 |
|--|-----------------|
| Supply Voltage                           | 10V             |
| Input Voltage                            | 10V             |
| Output Voltage                           | V <sub>CC</sub> |
| Storage Temperature Range                | +65°C to +150°C |
| Lead Temperature (Soldering, 10 seconds) | 300°C           |
| Output Current (I <sub>OUT</sub> )       | -25mA           |

### operating conditions

|                             | MIN | MAX | UNITS |
|-----------------------------|-----|-----|-------|
| Supply Voltage              | 3.2 | 8.8 | V     |
| V <sub>CC</sub>             | 6.5 | 8.8 | V     |
| V <sub>SS</sub>             | 0   | +70 | °C    |
| Temperature, T <sub>A</sub> |     |     |       |

### electrical characteristics (V<sub>SS</sub> ≥ V<sub>CC</sub>) T<sub>A</sub> = 25°C (Notes 2 and 3)

| PARAMETER                                       | CONDITIONS  | MIN  | TYP | MAX | UNITS |     |
|---|---|--|-----|-----|-------|-----|
| I <sub>IN</sub> Input Current                   | V <sub>SS</sub> = Max, V <sub>IN</sub> = 8.8V, V <sub>CC</sub> = Open, V <sub>CE</sub> = 0V |  |     | 3.2 | mA    |     |
|   | I <sub>OUT</sub> = R <sub>SET</sub> @ 0V, V <sub>CE</sub> = 8.8V                            |  |     | 3.6 | mA    |     |
| I <sub>CE</sub> Chip Enable Input Current       | V <sub>CC</sub> = Max, V <sub>SS</sub> = Max, V <sub>CE</sub> = 8.8V, All Other Pins to Gnd |  |     | 2.1 | mA    |     |
| I <sub>OUT</sub> Output Current                 | I <sub>OUT</sub> @ 2.15V, R <sub>L</sub> = 50Ω  | V <sub>CC</sub> = Min, V <sub>SS</sub> = 6.5V, I <sub>CE</sub> = 80μA, V <sub>IN</sub> = 6.5V Through 1.0 kΩ | -8  | -13 |       | mA  |
|   |   | V <sub>CE</sub> = 0V, V <sub>IN</sub> = 8.8V   |     |     | -16   | -20 |
| I <sub>OL</sub> Output Leakage Current          | I <sub>OUT</sub> = R <sub>SET</sub> @ 0V, Measure Current to Gnd, V <sub>SS</sub> = 8.8V    | V <sub>CC</sub> = Min, V <sub>CE</sub> = 0V, V <sub>IN</sub> = 8.8V Through 100 kΩ                           |     |     | -100  | μA  |
|   |   | V <sub>CE</sub> = 6.5V Through 1.0 kΩ, V <sub>IN</sub> = 8.8V  |     |     | -200  | μA  |
| I <sub>CC</sub> Supply Current, V <sub>CC</sub> | V <sub>CC</sub> = Max, V <sub>SS</sub> = Max, All Other Pins to Gnd                         |  |     | 40  | μA    |     |
| I <sub>SS</sub> Supply Current                  | V <sub>CC</sub> = 0V, All Other Pins to Gnd   |  |     |     | 40    | μA  |
|   | V <sub>CC</sub> = Min, V <sub>CC</sub> = 8.8V   | I <sub>OUT</sub> @ 2.15V, V <sub>CE</sub> = 8.8V Through 100 kΩ, R <sub>L</sub> = 50Ω                        |     | 0.5 | 1.5   | mA  |
|   |   | I <sub>OUT</sub> = Open, R <sub>SET</sub> = Open, V <sub>CE</sub> = 0V                                       |     |     |       | 1.4 |

### switching characteristics

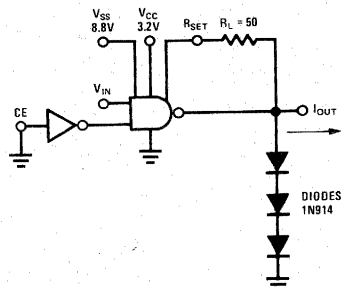
| PARAMETER  | CONDITIONS            | MIN | TYP | MAX | UNITS |
|--|-----------------------|-----|-----|-----|-------|
| t <sub>pd(OFF)</sub> Propagation Delay to a Logical "0" From Input to Output | (See AC Test Circuit) |     | 170 | 300 | ns    |
| t <sub>pd(ON)</sub> Propagation Delay to a Logical "1" From Input to Output  | (See AC Test Circuit) |     | 11  | 100 | ns    |

**Note 1:** "Absolute Maximum Ratings" are those values beyond which the safety of the device cannot be guaranteed. Except for "Operating Temperature Range" they are not meant to imply that the devices should be operated at these limits. The table of "Electrical Characteristics" provides conditions for actual device operation.

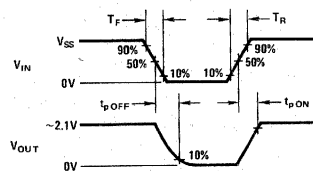
**Note 2:** Unless otherwise specified min/max limits apply across the 0°C to +70°C range for the DS75493.

**Note 3:** All currents into device pins shown as positive, out of device pins as negative, all voltages referenced to ground unless otherwise noted. All values shown as max or min on absolute value basis.

### ac test circuit



### switching time waveforms





## MM54C48/MM74C48 BCD-to-7 segment decoder

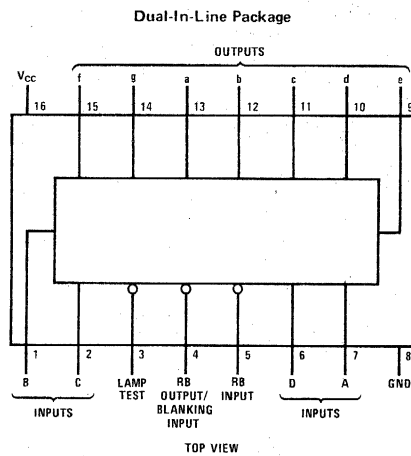
### general description

The MM54C48/MM74C48 BCD to 7 segment decoder is a monolithic complementary MOS (CMOS) integrated circuit constructed with N- and P-channel enhancement transistors. Seven NAND gates and one driver are connected in pairs to make binary-coded decimal (BCD) data and its complement available to the seven decoding AND-OR-INVERT gates. The remaining NAND gate and three input buffers provide test blanking input/ripple-blanking output, and ripple-blanking inputs.

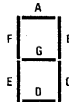
### features

- Wide supply voltage range 3.0V to 15V
- Guaranteed noise margin 1.0V
- High noise immunity 0.45  $V_{CC}$  typ
- Low power fan out of 2 driving 74L
- High current sourcing output (up to 50 mA)
- Ripple blanking for leading or trailing zeros (optional)
- Lamp test provision

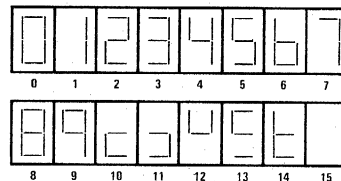
### connection diagram



Order Number MM54C48N  
or MM74C48N  
See Package 19



Segment Identification



Numerical Designations  
and Resultant Displays

**absolute maximum ratings** (Note 1)

|  |                          |
|--|--------------------------|
| Voltage at Any Pin                       | -0.3V to $V_{CC} + 0.3V$ |
| Operating Temperature Range              |                          |
| MM54C48                                  | -55°C to +125°C          |
| MM74C48                                  | -40°C to +85°C           |
| Storage Temperature Range                | -65°C to +150°C          |
| Package Dissipation                      | 500 mW                   |
| Operating $V_{CC}$ Range                 | 3.0V to 15V              |
| Absolute Maximum $V_{CC}$                | 16V                      |
| Lead Temperature (Soldering, 10 seconds) | 300°C                    |

**dc electrical characteristics**

Min/max limits apply across temperature range, unless otherwise noted.

| PARAMETER  | CONDITIONS   | MIN                          | TYP    | MAX                  | UNITS                |
|--|--|------------------------------|--------|----------------------|----------------------|
| <b>CMOS TO CMOS</b>  |  |                              |        |                      |                      |
| Logical "1" Input Voltage ( $V_{IN(1)}$ )                              | $V_{CC} = 5.0V$<br>$V_{CC} = 10V$  | 3.5<br>8.0                   |        |                      | V<br>V               |
| Logical "0" Input Voltage ( $V_{IN(0)}$ )                              | $V_{CC} = 5.0V$<br>$V_{CC} = 10V$  |                              |        | 1.5<br>2.0           | V<br>V               |
| Logical "1" Output Voltage ( $V_{OUT(1)}$ )<br>(RB Output Only)        | $V_{CC} = 5.0V, I_O = -10\mu A$<br>$V_{CC} = 10V, I_O = -10\mu A$  | 4.5<br>9.0                   |        |                      | V<br>V               |
| Logical "0" Output Voltage ( $V_{OUT(0)}$ )                            | $V_{CC} = 5.0V, I_O = +10\mu A$<br>$V_{CC} = 10V, I_O = +10\mu A$  |                              |        | 0.5<br>1.0           | V<br>V               |
| Logical "1" Input Current ( $I_{IN(1)}$ )                              | $V_{CC} = 15V, V_{IN} = 15V$   |                              | 0.005  | 1.0                  | $\mu A$              |
| Logical "0" Input Current ( $I_{IN(0)}$ )                              | $V_{CC} = 15V, V_{IN} = 0V$  | -1.0                         | -0.005 |                      | $\mu A$              |
| Supply Current ( $I_{CC}$ )  | $V_{CC} = 15V$   |                              | 0.05   | 300                  | $\mu A$              |
| <b>CMOS/LPTTL INTERFACE</b>  |  |                              |        |                      |                      |
| Logical "1" Input Voltage ( $V_{IN(1)}$ )                              | 54C, $V_{CC} = 4.5V$<br>74C, $V_{CC} = 4.75V$  | $V_{CC}-1.5$<br>$V_{CC}-1.5$ |        |                      | V<br>V               |
| Logical "0" Input Voltage ( $V_{IN(0)}$ )                              | 54C, $V_{CC} = 4.5V$<br>74C, $V_{CC} = 4.75V$  |                              |        | 0.8<br>0.8           | V<br>V               |
| Logical "1" Output Voltage ( $V_{OUT(1)}$ )<br>(RB Output Only)        | 54C, $V_{CC} = 4.5V, I_O = -50\mu A$<br>74C, $V_{CC} = 4.75V, I_O = -50\mu A$  | 2.4<br>2.4                   |        |                      | V<br>V               |
| Logical "0" Output Voltage ( $V_{OUT(0)}$ )                            | 54C, $V_{CC} = 4.5V, I_O = 360\mu A$<br>74C, $V_{CC} = 4.75V, I_O = 360\mu A$  |                              |        | 0.4<br>0.4           | V<br>V               |
| <b>OUTPUT DRIVE</b> (See 54C/74C Family Characteristics Data Sheet)    |  |                              |        |                      |                      |
| Output Source Current ( $I_{SOURCE}$ )<br>(P-Channel) (RB Output Only) | $V_{CC} = 4.75V, V_{OUT} = 0.4V$   |                              |        | -0.80                | mA                   |
| Output Sink Current ( $I_{SINK}$ )<br>(N-Channel)                      | $V_{CC} = 5.0V, V_{OUT} = V_{CC}$<br>$T_A = 25^\circ C$  | 1.75                         | 3.6    |                      | mA                   |
| Output Sink Current ( $I_{SINK}$ )<br>(N-Channel)                      | $V_{CC} = 10V, V_{OUT} = V_{CC}$<br>$T_A = 25^\circ C$   | 8.0                          | 16     |                      | mA                   |
| Output Source Current<br>(NPN Bipolar)                                 | $V_{CC} = 5.0V, V_{OUT} = 3.4$<br>$V_{CC} = 5.0V, V_{OUT} = 3.0$<br>$V_{CC} = 10V, V_{OUT} = 8.4$<br>$V_{CC} = 10V, V_{OUT} = 8.0$ | 20                           |        | 50<br>65<br>50<br>65 | mA<br>mA<br>mA<br>mA |

**Note 1:** "Absolute Maximum Ratings" are those values beyond which the safety of the device cannot be guaranteed. Except for "Operating Temperature Range" they are not meant to imply that the devices should be operated at these limits. The table of "Electrical Characteristics" provides conditions for actual device operation.

**Note 2:** Capacitance is guaranteed by periodic testing.

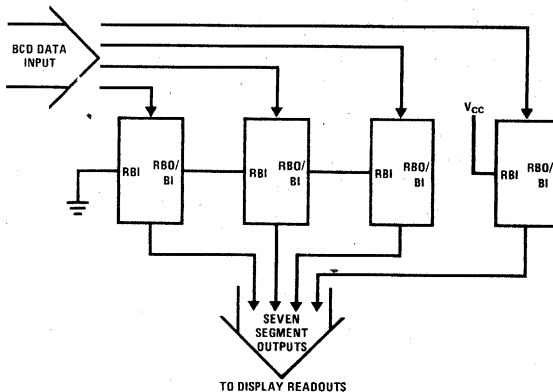
**Note 3:**  $C_{PD}$  determines the no load ac power consumption of any CMOS device. For complete explanation see 54C/74C Family Characteristics application note, AN-90.

ac electrical characteristics  $T_A = 25^\circ\text{C}$ ,  $C_L = 50\text{ pF}$ , unless otherwise specified.

| PARAMETER   | CONDITIONS             | MIN | TYP | MAX  | UNITS |
|---|------------------------|-----|-----|------|-------|
| Propagation Delay to a "1" or "0" on Segment Outputs from Data Inputs | $V_{CC} = 5.0\text{V}$ |     | 450 | 1500 | ns    |
|   | $V_{CC} = 10\text{V}$  |     | 160 | 500  | ns    |
| Propagation Delay to a "0" on Segment Outputs from RB Input           | $V_{CC} = 5.0\text{V}$ |     | 500 | 1600 | ns    |
|   | $V_{CC} = 10\text{V}$  |     | 180 | 550  | ns    |
| Propagation Delay to a "0" on Segment Outputs from Blanking Input     | $V_{CC} = 5.0\text{V}$ |     | 350 | 1200 | ns    |
|   | $V_{CC} = 10\text{V}$  |     | 140 | 450  | ns    |
| Propagation Delay to a "1" on Segment Outputs from Lamp Test          | $V_{CC} = 5.0\text{V}$ |     | 450 | 1500 | ns    |
|   | $V_{CC} = 10\text{V}$  |     | 160 | 500  | ns    |
| Propagation Delay to a "1" on RB Output from RB Input                 | $V_{CC} = 5.0\text{V}$ |     | 600 | 2000 | ns    |
|   | $V_{CC} = 10\text{V}$  |     | 250 | 800  | ns    |
| Propagation Delay to a "0" on RB Output from RB Input                 | $V_{CC} = 5.0\text{V}$ |     | 140 | 450  | ns    |
|   | $V_{CC} = 10\text{V}$  |     | 50  | 150  | ns    |

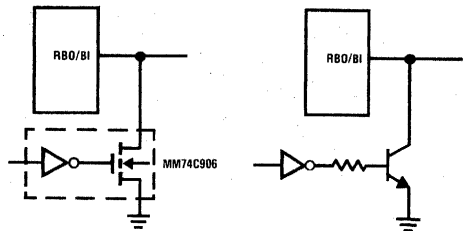
## typical applications

Typical Connection Utilizing the Ripple-Blanking Feature



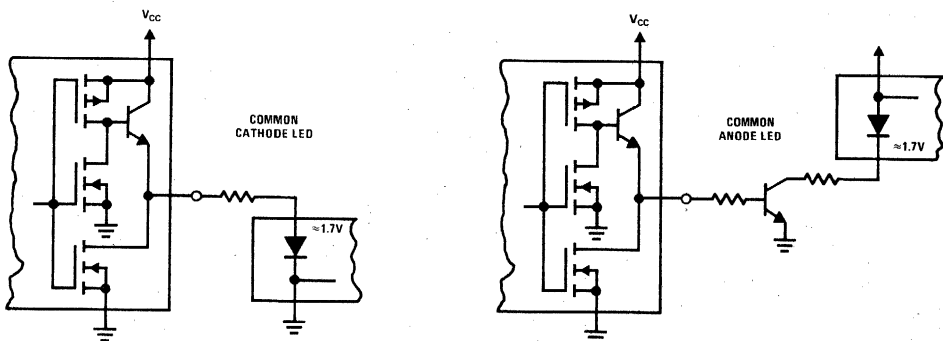
(First three stages will blank leading zeros, the fourth stage will not blank zeros)

Blanking Input Connection Diagram



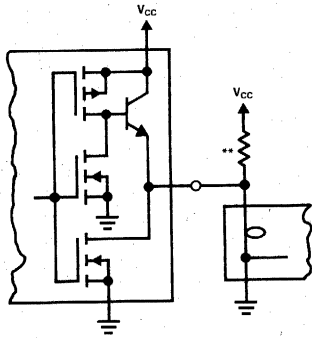
(When RB/BI is forced low, all segment outputs are off regardless of the state of any other input condition)

Light Emitting Diode (LED) Readout



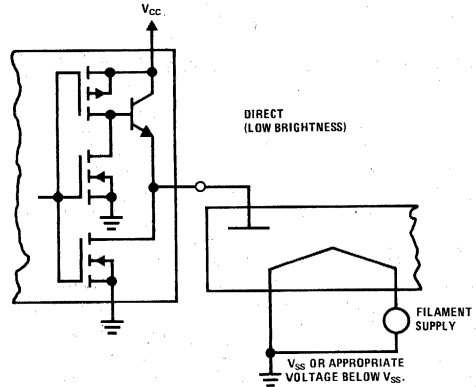
typical applications (con't)

Incandescent Readout



\*\*A filament pre-warm resistor is recommended to reduce filament thermal shock and increase the effective cold resistance of the filament.

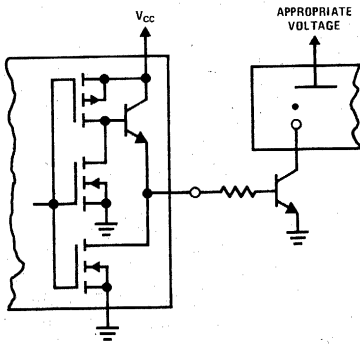
Fluorescent Readout



DIRECT (LOW BRIGHTNESS)

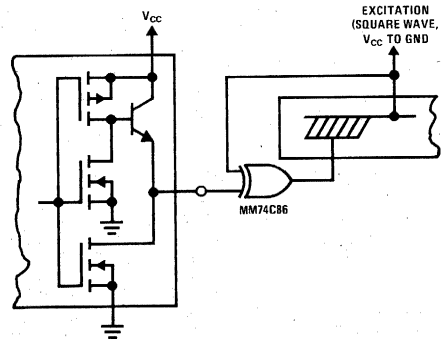
V<sub>SS</sub> OR APPROPRIATE VOLTAGE BELOW V<sub>SS</sub>.

Gas Discharge Readout



APPROPRIATE VOLTAGE

Liquid Crystal (LC) Readout



EXCITATION (SQUARE WAVE, V<sub>CC</sub> TO GND)

Direct dc drive of LC's not recommended for life of LC readouts.

truth table

| DECIMAL OR FUNCTION | INPUTS |     |   |   |   |   | BI/RBO† | OUTPUTS |   |   |   |   |   |   | NOTE |
|---------------------|--------|-----|---|---|---|---|---------|---------|---|---|---|---|---|---|------|
|                     | LT     | RBI | D | C | B | A |         | a       | b | c | d | e | f | g |      |
| 0                   | H      | H   | L | L | L | L | H       | H       | H | H | H | H | L | 1 |      |
| 1                   | H      | X   | L | L | L | H | H       | L       | H | H | L | L | L | 1 |      |
| 2                   | H      | X   | L | L | H | L | H       | H       | H | L | H | L | H |   |      |
| 3                   | H      | X   | L | L | H | H | H       | H       | H | H | H | L | H |   |      |
| 4                   | H      | X   | L | H | L | L | H       | L       | H | H | L | L | H |   |      |
| 5                   | H      | X   | L | H | L | H | H       | H       | L | H | H | L | H |   |      |
| 6                   | H      | X   | L | H | H | L | H       | L       | L | H | H | H | H |   |      |
| 7                   | H      | X   | L | H | H | H | H       | H       | H | H | L | L | L |   |      |
| 8                   | H      | X   | H | L | L | L | H       | H       | H | H | H | H | H |   |      |
| 9                   | H      | X   | H | L | L | H | H       | H       | H | L | L | H | H |   |      |
| 10                  | H      | X   | H | L | H | L | H       | L       | L | L | H | H | L |   |      |
| 11                  | H      | X   | H | L | H | H | H       | L       | L | H | H | L | H |   |      |
| 12                  | H      | X   | H | H | L | L | H       | L       | H | L | L | L | H |   |      |
| 13                  | H      | X   | H | H | L | H | H       | L       | L | L | H | L | H |   |      |
| 14                  | H      | X   | H | H | H | L | H       | L       | L | L | H | H | H |   |      |
| 15                  | H      | X   | H | H | H | H | H       | L       | L | L | L | L | L |   |      |
| BI                  | X      | X   | X | X | X | X | L       | L       | L | L | L | L | L | 2 |      |
| RBI                 | H      | L   | L | L | L | L | L       | L       | L | L | L | L | L | 3 |      |
| LT                  | L      | X   | X | X | X | X | H       | H       | H | H | H | H | H | 4 |      |

H = high level, L = low level, X = irrelevant

**Note 1:** The blanking input (BI) must be open when output functions 0–15 are desired. The ripple-blanking input (RBI) must be high, if blanking of a decimal zero is not desired.

**Note 2:** When a low logic level is applied directly to the blanking input (BI), all segment outputs are low regardless of the level of any other input.

**Note 3:** When ripple-blanking input (RBI) and inputs A, B, C, and D are at a low level with the lamp-test input high, all segment outputs go low and the ripple-blanking output (RBO) goes to a low level (response condition).

**Note 4:** When the blanking input/ripple-blanking output (BI/RBO) is open and a low is applied to the lamp-test input, all segment outputs are high.

† One BI/RBO is wire-AND logic serving as blanking input (BI) and/or ripple-blanking output (RBO).





## MM54C915/MM74C915 7-segment-to-BCD converter

### general description

The MM54C915/MM74C915 is a monolithic complementary MOS (CMOS) integrated circuit, constructed with N and P-channel enhancement-mode transistors. This circuit accepts 7-segment information and converts it into BCD information. The true state of the Segment inputs can be selected by use of the Invert/Non-invert control pin. A logical "0" on the Invert/Non-invert control pin selects active high true decoding at the Segment inputs. A logical "1" on the Invert/Non-invert control pin selects active low true decoding at the Segment inputs. In addition to 4 TTL compatible BCD outputs, an Error output and Minus output are available. The Error output goes to an active "1" whenever a non-standard 7-segment code appears at the Segment inputs. The BCD outputs are forced into a TRI-STATE® condition when an error is detected. This allows the user to program his own error code by tying the BCD outputs to  $V_{CC}$  or Ground via high value resistors ( $\sim 500k$ ). The BCD outputs may also be forced into TRI-STATE by a logical "1" on output enable ( $\overline{OE}$ ).

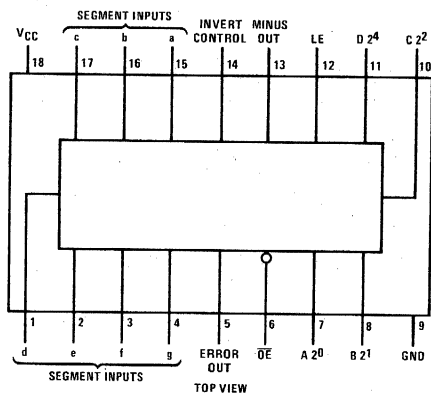
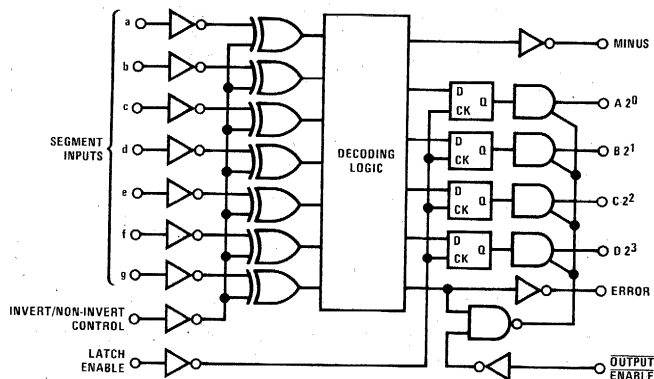
The Minus output goes to a logical "1" whenever a minus code is detected and is useful as a microprocessor interrupt. The BCD outputs are in a flow-through condition when Latch Enable (LE) is at a logical "0", and latched when LE is at a logical "1". The inputs will not clamp signals to the positive supply, allowing simple level translation from MOS to TTL.

### features

- Wide supply range
- High noise immunity
- TTL compatible fan out
- Selectable active true inputs
- TRI-STATE outputs
- On-chip latch
- Error output
- Minus output

3V–15V  
0.45  $V_{CC}$  typ  
1 TTL load

### logic and connection diagrams



Order Number MM54C915N  
or MM74C915N  
See Package 20

**absolute maximum ratings**

|                             |                                    |
|-----------------------------|------------------------------------|
| Voltage at Any Output       | $V_{CC} - 0.3V$ to $V_{CC} + 0.3V$ |
| Voltage at Any Input        | $V_{CC} - 0.3V$ to $18V$           |
| Operating Temperature Range |                                    |
| MM54C915                    | $-55^{\circ}C$ to $+125^{\circ}C$  |
| MM74C915                    | $-40^{\circ}C$ to $+85^{\circ}C$   |

|   |                                   |
|---|-----------------------------------|
| Storage Temperature Range                 | $-65^{\circ}C$ to $+150^{\circ}C$ |
| Package Dissipation                       | 500 mW                            |
| Operating $V_{CC}$ Range                  | 3V to 15V                         |
| Maximum $V_{CC}$                          | 18V                               |
| Lead Temperature, (Soldering, 10 seconds) | $300^{\circ}C$                    |

**dc electrical characteristics** Min/max limits apply across temperature range unless otherwise noted.

| PARAMETER                 |                                    | CONDITIONS                                    | MIN                | TYP            | MAX  | UNITS   |
|---------------------------|------------------------------------|---|--------------------|----------------|------|---------|
| <b>CMOS TO CMOS</b>       |                                    |   |                    |                |      |         |
| $V_{IN(1)}$               | Logical "1" Input Voltage          | $V_{CC} = 5V$                                 | 3.3                | 4.5            |      | V       |
|                           |                                    | $V_{CC} = 10V$                                | 8                  | 9              |      | V       |
|                           |                                    | $V_{CC} = 15V$                                | 12.5               | 13.5           |      | V       |
| $V_{IN(0)}$               | Logical "0" Input Voltage          | $V_{CC} = 5V$                                 |                    | 0.5            | 1.5  | V       |
|                           |                                    | $V_{CC} = 10V$                                |                    | 1              | 2    | V       |
|                           |                                    | $V_{CC} = 15V$                                |                    | 1.5            | 2.5  | V       |
| $I_{IN(1)}$               | Logical "1" Input Current          | $V_{IN} = 15V$                                |                    | 0.005          | 1    | $\mu A$ |
| $I_{IN(0)}$               | Logical "0" Input Current          | $V_{IN} = 0V$                                 | -1                 | -0.005         |      | $\mu A$ |
| $V_{OUT(1)}$              | Logical "1" Output Voltage         | $I_O = 10 \mu A$                              |                    |                |      |         |
|                           |                                    | $V_{CC} = 5V$                                 |                    | 4.5            |      | V       |
|                           |                                    | $V_{CC} = 10V$                                |                    | 9              |      | V       |
| $V_{OUT(0)}$              | Logical "0" Output Voltage         | $V_{CC} = 15V$                                |                    | 13.5           |      | V       |
|                           |                                    | $I_O = 10 \mu A$                              |                    |                |      |         |
|                           |                                    | $V_{CC} = 5V$                                 |                    | 0.5            |      | V       |
| $I_{CC}$                  | Supply Current                     | $V_{CC} = 10V$                                |                    | 1              |      | V       |
|                           |                                    | $V_{CC} = 15V$                                |                    | 1.5            |      | V       |
|                           |                                    | $V_{CC} = 5V$                                 |                    | 0.25           | 0.75 | mA      |
|                           |                                    | $V_{CC} = 10V$                                |                    | 0.75           | 1.75 | mA      |
|                           |                                    | $V_{CC} = 15V$                                |                    | 1.00           | 2.25 | mA      |
| <b>CMOS/TTL INTERFACE</b> |                                    |   |                    |                |      |         |
| $V_{IN(1)}$               | Logical "1" Input Voltage          | MM54C915                                      | $V_{CC} = 4.5V$    | $V_{CC} - 1.7$ |      | V       |
|                           |                                    | MM74C915                                      | $V_{CC} = 4.75V$   | $V_{CC} - 1.7$ |      | V       |
| $V_{IN(0)}$               | Logical "0" Input Voltage          | MM54C915                                      | $V_{CC} = 4.5V$    |                | 0.8  | V       |
|                           |                                    | MM74C915                                      | $V_{CC} = 4.75V$   |                | 0.8  | V       |
| $V_{OUT(1)}$              | Logical "1" Output Voltage         | MM54C915                                      | $I_O = -360 \mu A$ |                |      |         |
|                           |                                    | MM74C915                                      | $V_{CC} = 4.5V$    | 2.4            |      | V       |
| $V_{OUT(0)}$              | Logical "0" Output Voltage         | MM54C915                                      | $V_{CC} = 4.75V$   | 2.4            |      | V       |
|                           |                                    | MM74C915                                      | $I_O = 1.6 mA$     |                |      |         |
|                           |                                    | MM54C915                                      | $V_{CC} = 4.5V$    |                | 0.4  | V       |
|                           |                                    | MM74C915                                      | $V_{CC} = 4.75V$   |                | 0.4  | V       |
| <b>OUTPUT DRIVE</b>       |                                    |   |                    |                |      |         |
| $I_{SOURCE}$              | Output Source Current<br>P-Channel | $T_A = 25^{\circ}C, V_O = 0V,$<br>(Note 2)    |                    |                |      |         |
|                           |                                    | $V_{CC} = 5V$                                 | -1.75              | -3.3           |      | mA      |
|                           |                                    | $V_{CC} = 10V$                                | -8                 | -15            |      | mA      |
|                           |                                    | $V_{CC} = 15V$                                | -15                | -25            |      | mA      |
| $I_{SINK}$                | Output Sink Current<br>N-Channel   | $T_A = 25^{\circ}C, V_O = V_{CC}$<br>(Note 2) |                    |                |      |         |
|                           |                                    | $V_{CC} = 5V$                                 | 5                  | 8              |      | mA      |
|                           |                                    | $V_{CC} = 10V$                                | 20                 | 30             |      | mA      |
|                           |                                    | $V_{CC} = 15V$                                | 30                 | 50             |      | mA      |

ac electrical characteristics  $T_A = 25^\circ\text{C}$ 

| PARAMETER          | CONDITIONS   | MIN   | TYP | MAX  | UNITS |    |
|--------------------|--|---|-----|------|-------|----|
| $t_{pd0}, t_{pd1}$ | Propagation Delay Time to Logical "0" or a Logical "1"                           | $C_L = 50\text{ pF}$<br>$V_{CC} = 5\text{V}$<br>$V_{CC} = 10\text{V}$<br>$V_{CC} = 15\text{V}$                    |     | 500  | 1000  | ns |
|                    |  |   |     | 300  | 600   | ns |
|                    |  |   |     | 300  | 600   | ns |
|                    |  |   |     |      |       |    |
| $t_{0H}, t_{1H}$   | Propagation Delay Time From Logical "0" or Logical "1" into High Impedance State | $R_L = 10\text{ k}, C_L = 10\text{ pF}$<br>$V_{CC} = 5\text{V}$<br>$V_{CC} = 10\text{V}$<br>$V_{CC} = 15\text{V}$ |     | 110  | 200   | ns |
|                    |  |   |     | 75   | 130   | ns |
|                    |  |   |     | 60   | 110   | ns |
|                    |  |   |     |      |       |    |
| $t_{H0}, t_{H1}$   | Propagation Delay Time From High Impedance State to a Logical "0" or Logical "1" | $R_L = 10\text{ k}, C_L = 50\text{ pF}$<br>$V_{CC} = 5\text{V}$<br>$V_{CC} = 10\text{V}$<br>$V_{CC} = 15\text{V}$ |     | 150  | 250   | ns |
|                    |  |   |     | 80   | 140   | ns |
|                    |  |   |     | 70   | 125   | ns |
|                    |  |   |     |      |       |    |
| $t_s$              | Input Data Set-Up Time   | $C_L = 50\text{ pF}$<br>$V_{CC} = 5\text{V}$<br>$V_{CC} = 10\text{V}$<br>$V_{CC} = 15\text{V}$                    |     | 500  | 1000  | ns |
|                    |  |   |     | 300  | 600   | ns |
|                    |  |   |     | 300  | 600   | ns |
|                    |  |   |     |      |       |    |
| $t_H$              | Input Data Hold Time   | $C_L = 50\text{ pF}$<br>$V_{CC} = 5\text{V}$<br>$V_{CC} = 10\text{V}$<br>$V_{CC} = 15\text{V}$                    |     | -150 | 0     | ns |
|                    |  |   |     | -100 | 0     | ns |
|                    |  |   |     | -100 | 0     | ns |
|                    |  |   |     |      |       |    |
| $C_{IN}$           | Input Capacitance  | Any Input, (Note 3)   | 5   | 7.5  | pF    |    |
| $C_{OUT}$          | TRI-STATE Output Capacitance   | Any Output, (Note 3)  | 10  |      | pF    |    |

**Note 1:** "Absolute Maximum Ratings" are those values beyond which the safety of the device cannot be guaranteed. Except for "Operating Temperature Range" they are not meant to imply that the devices should be operated at these limits. The table of "Electrical Characteristics" provides conditions for actual device operation.

**Note 2:** These specifications apply to transient operation. It is not meant to imply that the device should be operated at these limits in sustained operation.

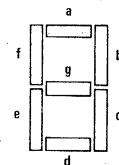
**Note 3:** Capacitance is guaranteed by periodic testing.

## truth table

| CHARACTER AT SEGMENT INPUTS  | BCD OUTPUTS    |                |                |                | NON-BCD OUTPUTS |       |
|------------------------------|----------------|----------------|----------------|----------------|-----------------|-------|
|                              | D              | C              | B              | A              | ERROR           | MINUS |
|                              | 2 <sup>3</sup> | 2 <sup>2</sup> | 2 <sup>1</sup> | 2 <sup>0</sup> |                 |       |
| 0                            | 0              | 0              | 0              | 0              | 0               | 0     |
| 1                            | 0              | 0              | 0              | 1              | 0               | 0     |
| 2                            | 0              | 0              | 0              | 1              | 0               | 0     |
| 3                            | 0              | 0              | 1              | 0              | 0               | 0     |
| 4                            | 0              | 0              | 1              | 1              | 0               | 0     |
| 5                            | 0              | 1              | 0              | 0              | 0               | 0     |
| 6                            | 0              | 1              | 0              | 1              | 0               | 0     |
| 7                            | 0              | 1              | 1              | 0              | 0               | 0     |
| 8                            | 0              | 1              | 1              | 1              | 0               | 0     |
| 9                            | 1              | 0              | 0              | 0              | 0               | 0     |
| 10                           | 1              | 0              | 0              | 1              | 0               | 0     |
| 11                           | 1              | 0              | 0              | 1              | 0               | 0     |
| 12                           | 1              | 1              | 1              | 1              | 0               | 0     |
| X                            | X              | X              | X              | X              | 1               | 1     |
| All other input combinations | X              | X              | X              | X              | 1               | 0     |
|                              | X              | X              | X              | X              | 1               | 0     |

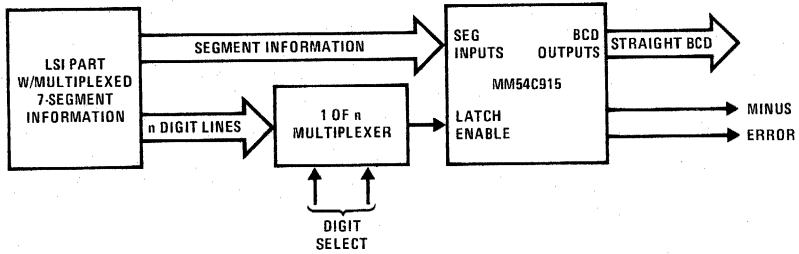
X = represents TRI-STATE condition

SEGMENT IDENTIFICATION

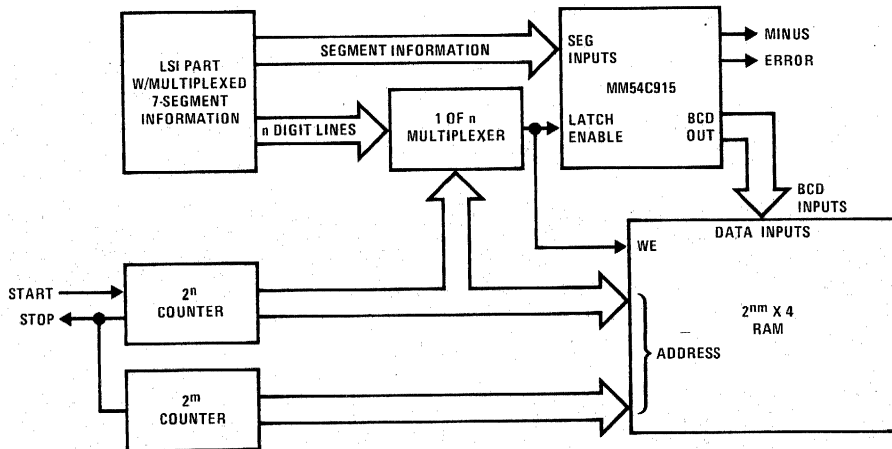


typical applications

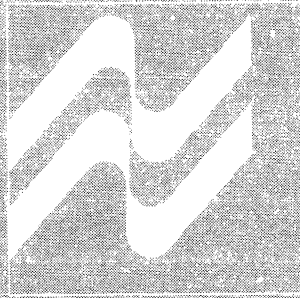
Multiplex 7-Segment to Straight BCD



Memory Expansion from 7-Segment Outputs



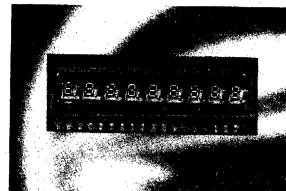




**SECTION 12**  
**DISPLAYS**



## Displays



### NSA1100 Series 0.100 inch 9 digit LED display

#### general description

The NSA1100 Series uses monolithic digits and can have up to nine digits. These devices are common cathode GsAsP LED, with a nominal 0.100 inch character height. Each digit comprises 7-segments with a right hand decimal point. Eight inputs are provided for selection of the appropriate segments and decimal (anodes) and separate inputs for digit (cathodes) selection. The anodes are internally interconnected for multiplexing. Simple interface circuits may be used for TTL, DTL, or MOS operation.

The clear lens of the display package provides excellent light transmission and ease of visibility over a wide angle. The package is also designed to be readily incorporated into the system. PC board type terminals allow easy connection by wire or pin soldering or with cardedge connector. The thin package allows significant size reduction for high density electronic equipment. These devices are designed to be used with a clear red filter.

#### applications

- Hand held calculators
- Desk calculators
- Digital instruments
- Industrial controls
- Data terminals
- Instrumentation
- Electronic test and measurement equipment

#### absolute ratings

|   |                         |
|---|-------------------------|
| Average Current per Segment                 | 0.25 mA min, 7.0 mA max |
| Peak Current per Segment                    | 2.5 mA min, 70 mA max   |
| Reverse Voltage                             | 3.0V max                |
| Digit Current Pulse Width                   | 1.0 ms max              |
| Operating and Storage Temperatures          | -20°C to +70°C          |
| Relative Humidity at +35°C                  | 98% max                 |
| Terminal Temperature (Soldering, 5 seconds) | 230°C max               |

#### electrical and optical characteristics $T_A = +25^\circ\text{C}$ Room Temperature

| PARAMETER                           | CONDITIONS        | MIN  | TYP      | MAX | UNITS   |
|-------------------------------------|-------------------|------|----------|-----|---------|
| Segment Light Intensity (Peak)      | 2.5 mA/Segm. Peak | 0.16 | 0.37     |     | mcd     |
| Digit Light Intensity (Peak)        | 2.5 mA/Segm. Peak | 1.28 | 2.96     |     | mcd     |
| Segment Forward Voltage             | 5.0 mA/Segm. dc   |      | 1.65     | 2.0 | V       |
| Reverse Voltage                     | 100 $\mu$ A/Segm. | 3.0  | 8.0      |     | V       |
| Intensity Matching                  |                   |      | $\pm 33$ |     | %       |
| Peak Wavelength                     |                   |      | 660      |     | nm      |
| Spectral Width, Half-Intensity      |                   |      | 40       |     | nm      |
| Viewing Angle, Off Axis, Horizontal |                   |      | 19       |     | degrees |
| Viewing Angle, Off Axis, Vertical   |                   |      | 19       |     | degrees |

## custom options NSA11XX

- Number of digits, 6-9
- Number of decimal points, maximum of 9
- Minus signs can be substituted in place of any digit  
Address line will be Segment G
- A decimal point can be substituted for any digit and placed in any segment position (Will be electrically connected to that segment address line)
- For all variations from the standard products it is recommended the factory be contacted

## recommended display array processing

The NSA1100 Series displays are constructed on a standard printed circuit board substrate and covered with a plastic lens.

The edge connectors tab will stand a temperature of 230°C for 5 seconds.

The display lens area must not be elevated in temperature above 70°C. To do so will result in permanent damage to the display.

It is recommended that the back of the display be masked off with low tac masking tape during flux and clean operations, to prevent condensation of flux or cleaner on the underside of the lens.

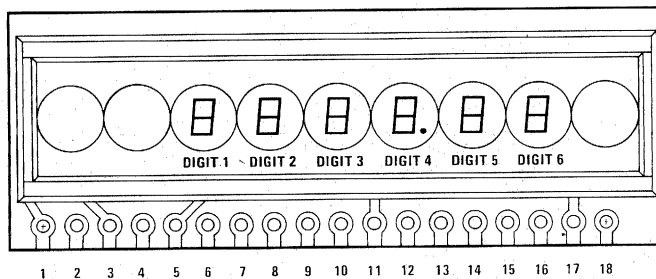
Only rosin core solder, solid core solder and low temperature deactivating flux are recommended. Recommended post solder clean solvents are Freon TF, Isopropanol, Methanol or Ethylene. These solvents are recommended only at room temperature and short time periods.

The use of other solvents or elevated temperature use of the recommended solvents may cause permanent damage to the lens or the display.

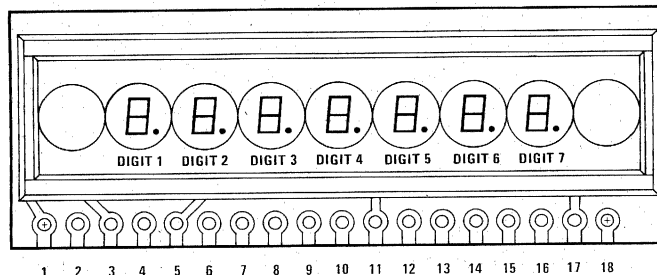
There are a number of edge connectors which can also be used with these displays.

## standard digit positions

NSA1166



NSA1178\*

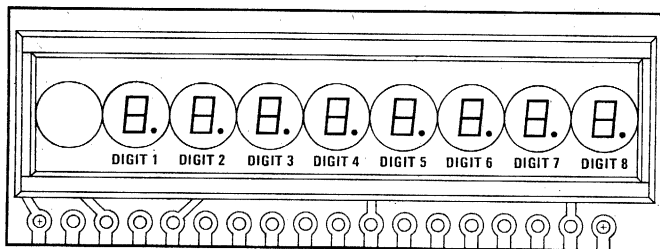


\*Built on special order only. Use NSA1198 for small quantity requirements.



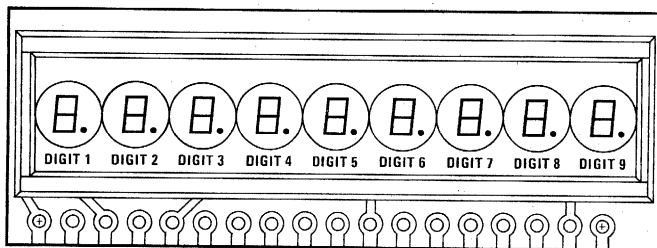
standard digit positions (con't)

NSA1188\*



1 2 3 4 5 6 7 8 9 10 11 12 13 14 15 16 17 18

NSA1198



1 2 3 4 5 6 7 8 9 10 11 12 13 14 15 16 17 18

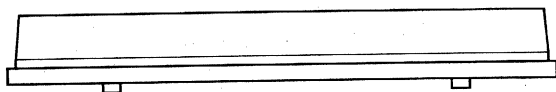
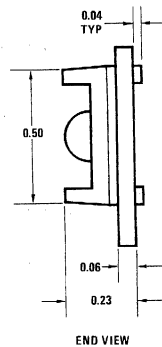
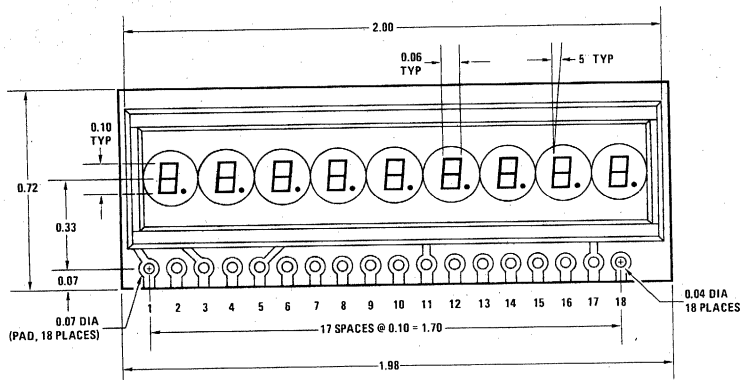
\*Built on special order only. Use NSA1198 for small quantity requirements.

connections table

| PIN CONNECTIONS | NSA1166   | NSA1178   | NSA1188   | NSA1198   | ANODE OR CATHODE |
|-----------------|-----------|-----------|-----------|-----------|------------------|
| 1               | NC        | NC        | NC        | NC        | No Connection    |
| 2               | NC        | NC        | NC        | Digit 1   | Cathode          |
| 3               | Segment C | Segment C | Segment C | Segment C | Anode            |
| 4               | NC        | Digit 1   | Digit 1   | Digit 2   | Cathode          |
| 5               | D.P.*     | D.P.      | D.P.      | D.P.      | Anode            |
| 6               | Digit 1   | Digit 2   | Digit 2   | Digit 3   | Cathode          |
| 7               | Segment A | Segment A | Segment A | Segment A | Anode            |
| 8               | Digit 2   | Digit 3   | Digit 3   | Digit 4   | Cathode          |
| 9               | Segment E | Segment E | Segment E | Segment E | Anode            |
| 10              | Digit 3   | Digit 4   | Digit 4   | Digit 5   | Cathode          |
| 11              | Segment D | Segment D | Segment D | Segment D | Anode            |
| 12              | Digit 4   | Digit 5   | Digit 5   | Digit 6   | Cathode          |
| 13              | Segment G | Segment G | Segment G | Segment G | Anode            |
| 14              | Digit 5   | Digit 6   | Digit 6   | Digit 7   | Cathode          |
| 15              | Segment B | Segment B | Segment B | Segment B | Anode            |
| 16              | Digit 6   | Digit 7   | Digit 7   | Digit 8   | Cathode          |
| 17              | Segment F | Segment F | Segment F | Segment F | Anode            |
| 18              | NC        | NC        | NC        | Digit 9   | Cathode          |

\*Digit 4 only

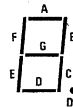
**physical dimensions** (Typical for all NSA1100 Series Displays)



Note 1: Material: G-10 circuit board, natural or approved equivalent  
 Note 2: All dimensions in inches  
 Note 3: Nine digits on 0.200 centers

Order Numbers NSA1166, NSA1178\*, NSA1188\* or NSA1198  
 Special Numbers are Assigned for Custom Units NSA1XXX

**Segment Designation**

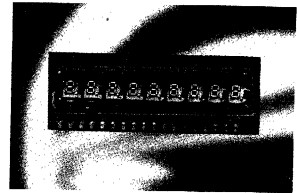


ALL DIGITS ON 0.20 INCH CENTER

\*Special Order Only



## Displays



### NSA1298 0.110 inch 9 digit LED display

#### general description

The NSA1298 is a monolithic, nine digit common cathode GsAsP LED, numeric display, with a nominal 0.110 inch character height. Each digit comprises 7 segments with a right hand decimal point. Eight inputs are provided for selection of the appropriate segments and decimal (anodes) and nine inputs for digit (cathodes) selection. The anodes are internally interconnected for multiplexing. Simple interface circuits may be used for TTL, DTL, or MOS operation.

The clear lens of the display package provides excellent light transmission and ease of visibility over a wide angle. The package is also designed to be readily incorporated into the system. PC board type terminals allow easy connection by wire or pin soldering or with cardedge connector. The thin package allows significant size reduction for high density electronic equipment.

#### applications

- Hand held calculators
- Desk calculators
- Digital instruments
- Industrial controls
- Data terminals
- Instrumentation
- Electronic test and measurement equipment

#### absolute ratings

|                             |                        |
|-----------------------------|------------------------|
| Average Current per Segment | 0.3 mA min, 7.0 mA max |
| Peak Current per Segment    | 3.0 mA min, 70 mA max  |
| Reverse Voltage             | 3.0V max               |
| Digit Current Pulse Width   | 1.0 ms max             |
| Operating and Storage       |                        |
| Temperatures                | -20°C to +70°C         |
| Relative Humidity at +35°C  | 98%                    |
| Terminal Temperature        |                        |
| (Soldering, 5 seconds)      | 230°C max              |

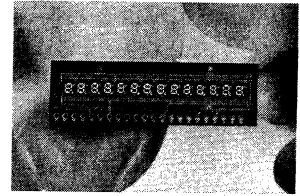
#### electrical and optical characteristics $T_A = +25^\circ\text{C}$ Room Temperature

| PARAMETER                           | CONDITIONS        | MIN  | TYP      | MAX | UNITS   |
|-------------------------------------|-------------------|------|----------|-----|---------|
| Segment Light Intensity (Peak)      | 3.0 mA/Segm. Peak | 0.10 | 0.23     |     | mcd     |
| Digit Light Intensity (Peak)        | 3.0 mA/Segm. Peak | 0.80 | 1.84     |     | mcd     |
| Segment Forward Voltage             | 5.0 mA/Segm. dc   |      | 1.65     | 2.0 | V       |
| Reverse Voltage                     | 100 $\mu$ A/Segm. | 3.0  | 8.0      |     | V       |
| Intensity Matching                  |                   |      | $\pm 33$ |     | %       |
| Peak Wavelength                     |                   |      | 660      |     | nm      |
| Spectral Width, Half-Intensity      |                   |      | 40       |     | nm      |
| Viewing Angle, Off Axis, Horizontal |                   |      | 21       |     | degrees |
| Viewing Angle, Off Axis, Vertical   |                   |      | 22       |     | degrees |





# Displays



## NSA5120 1/8 inch 12 digit LED display

### general description

The NSA5120 is a twelve monolithic digit common cathode GaAsP, LED, numeric display, with a nominal 1/8 inch character height. Each digit comprises seven segments with a right hand decimal point. Eight inputs are provided for selection of the appropriate segments and decimal (anodes) and twelve inputs for digit (cathodes) selection. The anodes are internally interconnected for multiplexing. Simple interface circuits may be used for TTL, DTL, or MOS operation.

The clear lens of the display package provides excellent light transmission and ease of visibility over a wide angle. The package is also designed to be readily incorporated into the system. PC board type terminals allow easy connection by wire or pin soldering or with a card-edge connector. The thin package allows significant size reduction for high density electronic equipment.

The excellent aspect ratio of the digit (0.110 x 0.070) affords added versatility for the designer to further magnify the display digit height.

### applications

- Hand held calculators
- Desk calculators
- Digital instruments
- Industrial controls
- Data terminals
- Instrumentation
- Electronic test and measurement equipment

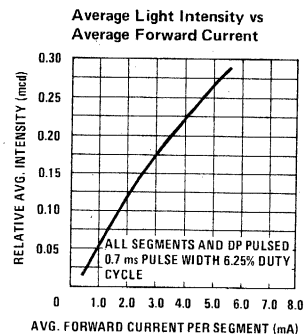
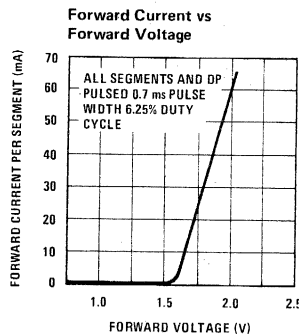
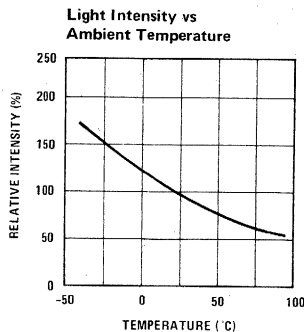
### absolute ratings

|   |                       |
|---|-----------------------|
| Average Current per Segment                 | 0.5 mA min, 20 mA max |
| Peak Current per Segment                    | 7.0 mA min, 70 mA max |
| Reverse Voltage                             | 3.0V max              |
| Digit Current Pulse Width                   | 1.0 ms max            |
| Operating and Storage Temperatures          | -20°C to +70°C        |
| Relative Humidity at +35°C                  | 98% max               |
| Terminal Temperature (Soldering, 5 seconds) | 230°C max             |

### electrical and optical characteristics $T_A = +25^\circ\text{C}$ Room Temperature

| PARAMETER                       | CONDITIONS        | MIN  | TYP      | MAX | UNITS   |
|---------------------------------|-------------------|------|----------|-----|---------|
| Segment Light Intensity (Peak)  | 7.0 mA/Segm. Peak | 0.15 | 0.45     |     | mcd     |
| Segment Forward Voltage         | 7.0 mA/Segm. DC   |      | 1.8      | 2.0 | V       |
| Reverse Voltage                 | 100 $\mu$ A/Segm. | 3.0  | 8.0      |     | V       |
| Intensity Matching              |                   |      | $\pm 33$ |     | %       |
| Peak Wavelength                 |                   |      | 660      |     | nm      |
| Spectral Width, Half-Intensity  |                   |      | 40       |     | nm      |
| Viewing Angle, Off Axis, Horiz. |                   |      | 25       |     | degrees |
| Viewing Angle, Off Axis, Vert.  |                   |      | 34       |     | degrees |

### typical performance characteristics (25°C)



### custom options NSA51XX

Custom options are available as follows:

- Minus signs can be substituted in place of any digit. Address line will be Segment G.
- A decimal point can be substituted for any digit and placed in any segment position. (Will be electrically connected to that segment address line.)
- For all other variations it is recommended the factory be contacted.

### recommended display array processing

The NSA5120 display is constructed on a standard printed circuit board substrate and covered with a plastic lens.

The edge connectors tab will stand a temperature of 230°C for 5 seconds.

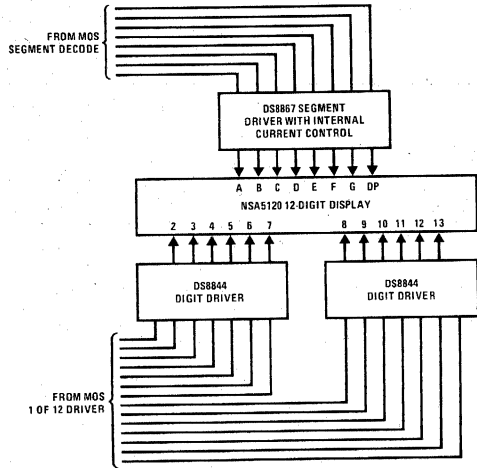
The display lens area must not be elevated in temperature above 70°C. To do so will result in permanent damage to the display.

Since the display is not hermetic, immersion of the entire package during flux and clean operations may cause condensation of flux or cleaner on the underside of the lens. It is recommended that only the edge connectors be immersed.

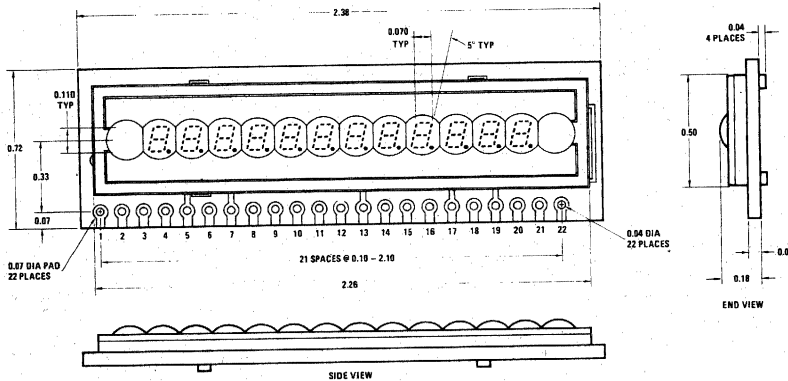
Only rosin core solder, solid core solder and low temperature deactivating fluxes are recommended. Recommended post solder clean solvents are Freon TF, Isopropanol, Methylal or Ethylene. These solvents are recommended only at room temperature and short time periods.

The use of other solvents or elevated temperature use of the recommended solvents may cause permanent damage to the lens or the display.

### typical drive circuit



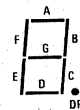
### physical dimensions and pin connections



#### Pin Connections

- PIN 1 NC
- PIN 2 DIGIT 1 CATHODE
- PIN 3 DIGIT 2 CATHODE
- PIN 4 DIGIT 3 CATHODE
- PIN 5 SEGMENT C ANODE
- PIN 6 DIGIT 4 CATHODE
- PIN 7 SEGMENT DP ANODE
- PIN 8 DIGIT 5 CATHODE
- PIN 9 SEGMENT A ANODE
- PIN 10 DIGIT 6 CATHODE
- PIN 11 SEGMENT E ANODE
- PIN 12 DIGIT 7 CATHODE
- PIN 13 SEGMENT D ANODE
- PIN 14 DIGIT 8 CATHODE
- PIN 15 SEGMENT G ANODE
- PIN 16 DIGIT 9 CATHODE
- PIN 17 SEGMENT B ANODE
- PIN 18 DIGIT 10 CATHODE
- PIN 19 SEGMENT F ANODE
- PIN 20 DIGIT 11 CATHODE
- PIN 21 DIGIT 12 CATHODE
- PIN 22 NC

#### Segment Designation



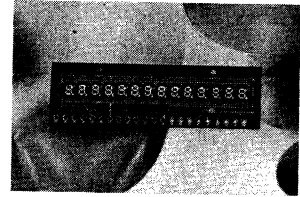
ALL DIGITS ON 0.150 INCH CENTERS

- Note 1: Material FR-4 circuit board, natural or approved equiv.
- Note 2: All dimensions in inches.
- Note 3: Fourteen digits on 0.150 centers

Order Number NSA5120 for 12-Digit Unit  
Special Numbers are Assigned for Custom Units NSA51XX



## Displays



### NSA5140 1/8 inch 14 digit LED display

#### general description

The NSA5140 is a fourteen monolithic digit common cathode GaAsP, LED, numeric display, with a nominal 1/8 inch character height. Each digit comprises seven segments with a right hand decimal point. Eight inputs are provided for selection of the appropriate segments and decimal (anodes) and fourteen inputs for digit (cathodes) selection. The anodes are internally interconnected for multiplexing. Simple interface circuits may be used for TTL, DTL, or MOS operation.

The clear lens of the display package provides excellent light transmission and ease of visibility over a wide angle. The package is also designed to be readily incorporated into the system. PC board type terminals allow easy connection by wire or pin soldering or with a card-edge connector. The thin package allows significant size reduction for high density electronic equipment.

The excellent aspect ratio of the digit (0.110 x 0.070) affords added versatility for the designer to further magnify the display digit height.

#### applications

- Hand held calculators
- Desk calculators
- Digital instruments
- Industrial controls
- Data terminals
- Instrumentation
- Electronic test and measurement equipment

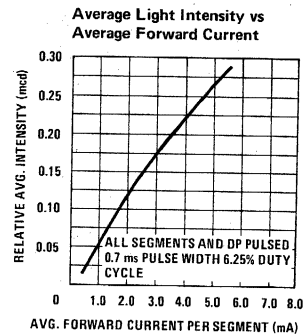
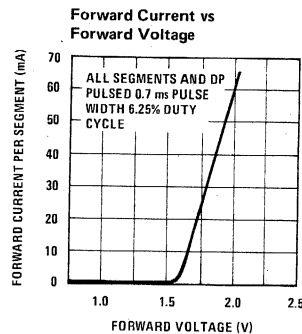
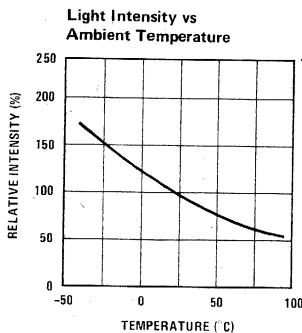
#### absolute ratings

|  |                       |
|--|-----------------------|
| Average Current per Segment                    | 0.5 mA min, 20 mA max |
| Peak Current per Segment                       | 7.0 mA min, 70 mA max |
| Reverse Voltage                                | 3.0V max              |
| Digit Current Pulse Width                      | 1.0 ms max            |
| Operating and Storage<br>Temperatures          | -20°C to +70°C        |
| Relative Humidity at +35°C                     | 98% max               |
| Terminal Temperature<br>(Soldering, 5 seconds) | 230°C max             |

#### electrical and optical characteristics $T_A = +25^\circ\text{C}$ Room Temperature

| PARAMETER                       | CONDITIONS        | MIN  | TYP      | MAX | UNITS   |
|---------------------------------|-------------------|------|----------|-----|---------|
| Segment Light Intensity (Peak)  | 7.0 mA/Segm. Peak | 0.15 | 0.45     |     | mcd     |
| Segment Forward Voltage         | 7.0 mA/Segm. DC   |      | 1.8      | 2.0 | V       |
| Reverse Voltage                 | 100 $\mu$ A/Segm. | 3.0  | 8.0      |     | V       |
| Intensity Matching              |                   |      | $\pm 33$ |     | %       |
| Peak Wavelength                 |                   |      | 660      |     | nm      |
| Spectral Width, Half-Intensity  |                   |      | 40       |     | nm      |
| Viewing Angle, Off Axis, Horiz. |                   |      | 25       |     | degrees |
| Viewing Angle, Off Axis, Vert.  |                   |      | 34       |     | degrees |

#### typical performance characteristics (25°C)



### custom options NSA51XX

Custom options are available as follows:

- Number of digits, 9 through 14.
- Number of decimal points. Maximum of 14.
- Minus signs can be substituted in place of any digit. Address line will be Segment G.
- A decimal point can be substituted for any digit and placed in any segment position. (Will be electrically connected to that segment address line.)
- For all other variations it is recommended the factory be contacted.

### recommended display array processing

The NSA5140 display is constructed on a standard printed circuit board substrate and covered with a plastic lens.

The edge connectors tab will stand a temperature of 230°C for 5 seconds.

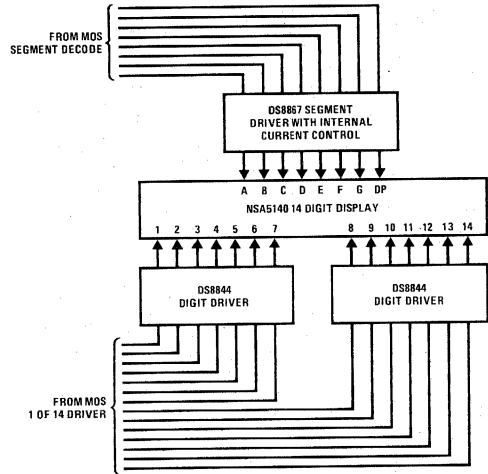
The display lens area must not be elevated in temperature above 70°C. To do so will result in permanent damage to the display.

It is recommended that the back of the display be masked off with low tac masking tape during flux and clean operations, to prevent condensation of flux or cleaner on the underside of the lens.

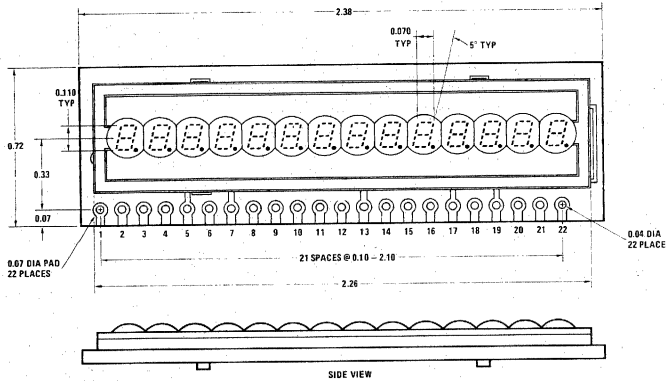
Only rosin core solder, solid core solder and low temperature deactivating fluxes are recommended. Recommended post solder clean solvents are Freon TF, Isopropanol, Mithanol or Ethylene. These solvents are recommended only at room temperature and short time periods.

The use of other solvents or elevated temperature use of the recommended solvents may cause permanent damage to the lens or the display.

### typical drive circuit



### physical dimensions and pin connections



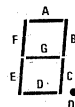
- Note 1: Material: G-10 circuit board, natural or approved equiv.
- Note 2: All dimensions in inches.
- Note 3: Fourteen digits on 0.150 centers

Order Number NSA5140 for 14 Digit Unit  
Special Numbers are Assigned for Custom Units NSA51XX

#### Pin Connections

- PIN 1 DIGIT 1 CATHODE
- PIN 2 DIGIT 2 CATHODE
- PIN 3 DIGIT 3 CATHODE
- PIN 4 DIGIT 4 CATHODE
- PIN 5 SEGMENT C ANODE
- PIN 6 DIGIT 6 CATHODE
- PIN 7 SEGMENT DP ANODE
- PIN 8 DIGIT 6 CATHODE
- PIN 9 SEGMENT A ANODE
- PIN 10 DIGIT 7 CATHODE
- PIN 11 SEGMENT E ANODE
- PIN 12 DIGIT 8 CATHODE
- PIN 13 SEGMENT D ANODE
- PIN 14 DIGIT 9 CATHODE
- PIN 15 SEGMENT G ANODE
- PIN 16 DIGIT 10 CATHODE
- PIN 17 SEGMENT B ANODE
- PIN 18 DIGIT 11 CATHODE
- PIN 19 SEGMENT F ANODE
- PIN 20 DIGIT 12 CATHODE
- PIN 21 DIGIT 13 CATHODE
- PIN 22 DIGIT 14 CATHODE

#### Segment Designation



ALL DIGITS ON 0.150 INCH CENTERS





## NSB5917, NSB5921, NSB5922 0.5 inch 5 digit numeric displays

### general description

The 5900 series of GaAsP LED reflective displays from National Semiconductor represent the latest in design advances to provide you with an effective, easy to implement answer to the need for an inexpensive large numeric display.

Versatility is offered with both common anode (NSB5922) and common cathode (NSB5921) multiplexed versions for 5 full digits and an option of direct drive overflow/polarity indication with 4 digits in a common anode multiplexed format (NSB5917). Electrical connection is by PCB type terminals on the edges of the display.

The optical design of this display series creates a distinct, easy to read display with wide viewing angle, excellent "ON-OFF" contrast, and segment uniformity.

### applications

- Test and measurement equipment
- Consumer products
- Industrial controls
- Desk top calculators
- Digital instruments

### absolute ratings

|   |                |
|---|----------------|
| Average Current Per Segment                 | 20 mA max      |
| Peak Current Per Segment                    | 75 mA max      |
| Reverse Voltage Per Segment                 | 3V min         |
| Operating and Storage Temperature           | -20°C to +70°C |
| Relative Humidity at 35°C                   | 98%            |
| Terminal Temperature (Soldering, 5 seconds) | 230°C          |

### recommended display processing

The multi-digit series display is constructed on a standard printed circuit board substrate and covered with a plastic lens. The edge connector tab will stand a temperature of 230°C for 5 seconds. The display lens area must not be elevated in temperature above 70°C. To do so will result in permanent damage to the display. Since the display is not hermetic, immersion of the entire package during flux and clean operations may cause condensation of flux or cleaner on the underside of the lens. It is recommended that only the edge connectors be immersed. Only rosin core solder, solid core solder, and low activity organic fluxes are recommended. Cleaning solvents are Freon TF, Isopropanol, Methanol, or Ethanol. These solvents are recommended only at room temperature and for short time periods. The use of other solvents or elevated temperature use of the recommended solvents may cause permanent damage to the lens or display.

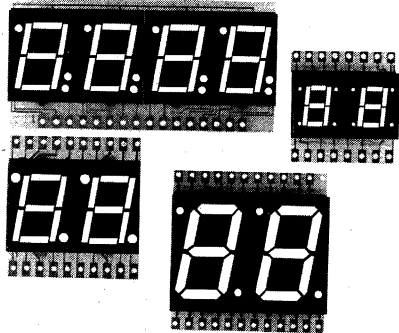
### electrical and optical characteristics (25°C)

| PARAMETER                             | CONDITIONS            | MIN  | TYP      | MAX | UNITS   |
|---------------------------------------|-----------------------|------|----------|-----|---------|
| Segment Light Intensity (Peak)        | 10 mA/Segment Average | 0.10 | 0.20     |     | mcd     |
| Digit and D.P. Light Intensity (Peak) | 10 mA/Segment Average | 0.80 | 1.6      |     | mcd     |
| Segment Forward Voltage               | 10 mA/Segment Peak    |      | 1.7      | 2.0 | V       |
| Segment Reverse Voltage               | 100 $\mu$ A/Segment   | 3.0  | 8.0      |     | V       |
| Peak Wavelength                       |                       |      | 660      |     | nm      |
| Spectral Width, Half-Intensity        |                       |      | 40       |     | nm      |
| Viewing Angle, Off Axis               |                       |      | 60       |     | degrees |
| Intensity Matching                    | 10 mA/Segment Average |      | $\pm$ 33 |     | %       |





# Displays



## multidigit LED numeric series

### general description

Multidigit GaAsP LED reflective displays from National Semiconductor, represent the latest in design advances in 0.3", 0.5" and 0.7" formats. The series provides the designer with an effective, easy to implement answer to the need for an inexpensive large numeric display.

Basically 2-digit and 4-digit displays, the units are end stackable for applications requiring additional digits. When combined with the options for overflow, polarity and other indications, virtually all display requirements can be satisfied. Versatility is offered the designer with direct drive and multiplex versions in both the common anode and common cathode forms. Electrical contact is by PCB type terminals on the edges of the display.

The optical design of this display series, creates a distinct easy-to-read display with a wide viewing angle, excellent "ON-OFF" contrast and segment uniformity.

### applications

- Test and measurement equipment
- Consumer products
- Instrumentation
- Industrial controls
- Digital instruments
- Desk top calculator
- Clocks
- Elevator floor indicator
- TV channel indicator

### absolute ratings

|   |                |
|---|----------------|
| Average Current/Segment                     | 20 mA max      |
| Peak Current/Segment                        | 75 mA max      |
| Reverse Voltage/Segment                     | 3.0V max       |
| Operating and Storage Temperature           | -20°C to +70°C |
| Relative Humidity at 35°C                   | 98%            |
| Terminal Temperature (Soldering, 5 seconds) | 230°C          |

### electrical and optical characteristics $T_A = 25^\circ\text{C}$

| PARAMETER                             | CONDITIONS       | MIN  | TYP      | MAX | UNITS   |
|---------------------------------------|------------------|------|----------|-----|---------|
| Segment Light Intensity (Peak)        | 10 mA/Seg. Peak  | 0.10 | 0.20     |     | mcd     |
| Digit and D.P. Light Intensity (Peak) | 10 mA/Seg. Peak  | 0.80 | 1.6      |     | mcd     |
| Segment Forward Voltage               | 10 mA/Seg. Peak  |      | 1.7      | 2.0 | V       |
| Segment Reverse Voltage               | 100 $\mu$ A/Seg. | 3.0  | 8.0      |     | V       |
| Peak Wavelength                       |                  |      | 660      |     | nm      |
| Spectral Width, Half-Intensity        |                  |      | 40       |     | nm      |
| Viewing Angle, Off Axis               |                  |      | 60       |     | degrees |
| Intensity Matching                    | 10 mA/Seg. Avg.  |      | $\pm 33$ |     | %       |

## recommended display processing

The multidigit series display is constructed on a standard printed circuit board substrate and covered with a plastic lens. The edge connector tab will stand a temperature of 230°C for 5 seconds. The display lens area must not be elevated in temperature above 70°C. To do so will result in permanent damage to the display. Since the display is not hermetic, immersion of the entire package during flux and clean operations may cause condensation of flux or cleaner on the underside of the lens. It is

recommended that only the edge connectors be immersed. Only rosin core solder, solid core solder, and low activity organic fluxes are recommended. Cleaning solvents are Freon TF, Isopropanol, Methanol, or Ethanol. These solvents are recommended only at room temperature and for short time periods. The use of other solvents or elevated temperature use of the recommended solvents may cause permanent damage to the lens or display.

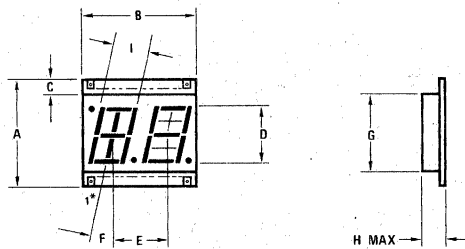
## available display formats (Dual Digits)

| DIGIT SIZE | CODE | FORMAT | CODE | DRIVE                           | CODE |
|------------|------|--------|------|---------------------------------|------|
| 0.3"       | 3    | +1.8.  | 3    | 10 mA COMMON CATHODE-MULTIPLIED | 1    |
| 0.5"       | 5    | 8.8    | 7    | 10 mA COMMON ANODE-MULTIPLIED   | 2    |
| 0.7"       | 7    | 8.8.   | 8    | 10 mA COMMON CATHODE-DIRECT     | 3    |
|            |      |        |      | 10 mA COMMON ANODE-DIRECT       | 4    |

| DEVICES CURRENTLY AVAILABLE |       |
|-----------------------------|-------|
| NSN334                      | +1.8. |
| NSN381                      | 8.8.  |
| NSN382                      | 8.8.  |
| NSN373                      | 8.8.  |
| NSN374                      | 8.8.  |
| NSN534                      | +1.8. |
| NSN581                      | 8.8.  |
| NSN582                      | 8.8.  |
| NSN583                      | 8.8.  |
| NSN584                      | 8.8.  |
| NSN734                      | +1.8. |
| NSN781                      | 8.8.  |
| NSN782                      | 8.8.  |
| NSN783                      | 8.8.  |
| NSN784                      | 8.8.  |

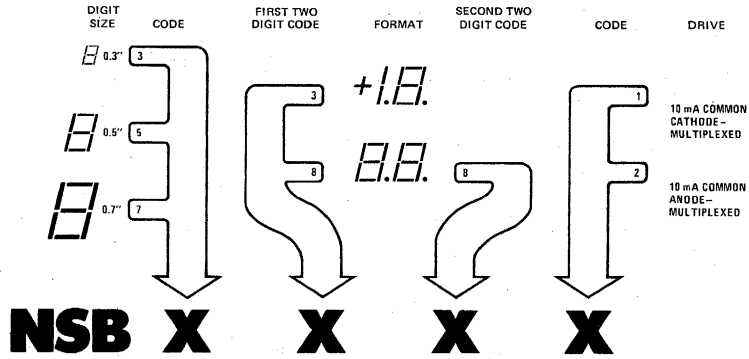
## physical dimensions



\*Pin 1 as shown, pin out follows counterclockwise

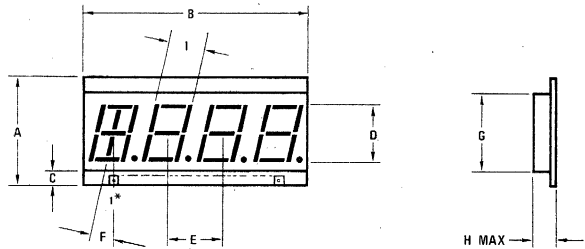
| DIMENSIONS |      |     |       |     |     |     |      |       |       |
|------------|------|-----|-------|-----|-----|-----|------|-------|-------|
| DIGIT SIZE | A    | B   | C     | D   | E   | F   | G    | H     | I     |
| 0.3        | 0.85 | 0.8 | 0.175 | 0.3 | 0.4 | 5°  | 0.5  | 0.225 | 0.188 |
| 0.5        | 1.05 | 1.0 | 0.175 | 0.5 | 0.5 | 10° | 0.7  | 0.28  | 0.3   |
| 0.7        | 1.25 | 1.2 | 0.180 | 0.7 | 0.6 | 10° | 0.89 | 0.3   | 0.38  |

available display formats (Quad Digits)



| DEVICES CURRENTLY AVAILABLE |           |
|-----------------------------|-----------|
| NSB3382                     | +1.8.8.8. |
| NSB3881                     | 8.8.8.8.  |
| NSB3882                     | 8.8.8.8.  |
| NSB5382                     | +1.8.8.8. |
| NSB5881                     | 8.8.8.8.  |
| NSB5882                     | 8.8.8.8.  |
| NSB7382                     | +1.8.8.8. |
| NSB7881                     | 8.8.8.8.  |
| NSB7882                     | 8.8.8.8.  |

physical dimensions



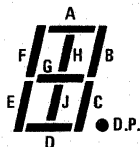
\*Pin 1 as shown, pin out follows counterclockwise

| DIMENSIONS |      |      |       |     |     |     |      |       |       |
|------------|------|------|-------|-----|-----|-----|------|-------|-------|
| DIGIT SIZE | A    | B    | C     | D   | E   | F   | G    | H     | I     |
| 0.3        | 0.83 | 1.59 | 0.165 | 0.3 | 0.4 | 5°  | 0.5  | 0.225 | 0.188 |
| 0.5        | 1.0  | 1.99 | 0.180 | 0.5 | 0.5 | 10° | 0.7  | 0.28  | 0.3   |
| 0.7        | 1.15 | 2.39 | 0.180 | 0.7 | 0.6 | 10° | 0.89 | 0.3   | 0.38  |

**connection tables** (Dual Digits)

| PIN NUMBER | NSN334                         | NSN373                           | NSN374                         | NSN381                    | NSN382                  |
|------------|--------------------------------|----------------------------------|--------------------------------|---------------------------|-------------------------|
| 1          | Cathode J<br>Digit 1           | Anode G<br>Digit 1               | Cathode G<br>Digit 1           | Anode G                   | Cathode E               |
| 2          | Cathode C<br>Digit 1           | Anode E<br>Digit 1               | Cathode E<br>Digit 1           | Anode E                   | Common Anode<br>Digit 1 |
| 3          | Cathode D.P.<br>Digit 1        | Anode D<br>Digit 1               | Cathode D<br>Digit 1           | NC                        | NC                      |
| 4          | Cathode G<br>Digit 2           | Anode C<br>Digit 1               | Cathode C<br>Digit 1           | Common Cathode<br>Digit 1 | Cathode C               |
| 5          | Cathode E<br>Digit 2           | Anode G<br>Digit 2               | Cathode G<br>Digit 2           | Anode D                   | Common Anode<br>Digit 2 |
| 6          | Cathode D<br>Digit 2           | Anode E<br>Digit 2               | Cathode E<br>Digit 2           | Common Cathode<br>Digit 2 | Cathode D               |
| 7          | Cathode C<br>Digit 2           | Anode D<br>Digit 2               | Cathode D<br>Digit 2           | Anode DP                  | Cathode DP              |
| 8          | Cathode D.P.<br>Digit 2        | Anode C<br>Digit 2               | Cathode C<br>Digit 2           | Anode C                   | Cathode G               |
| 9          | Cathode B<br>Digit 2           | Common Cathode<br>Digits 1 and 2 | Common Anode<br>Digits 1 and 2 | Anode B                   | Cathode B               |
| 10         | NC                             | Anode B<br>Digit 2               | Cathode B<br>Digit 2           | NC                        | NC                      |
| 11         | Cathode A<br>Digit 2           | Anode A<br>Digit 2               | Cathode A<br>Digit 2           | NC                        | NC                      |
| 12         | Cathode F<br>Digit 2           | Anode F<br>Digit 2               | Cathode F<br>Digit 2           | NC                        | NC                      |
| 13         | Cathode B<br>Digit 1           | Anode B<br>Digit 1               | Cathode B<br>Digit 1           | Anode A                   | Cathode A               |
| 14         | Common Anode<br>Digits 1 and 2 | Anode A<br>Digit 1               | Cathode A<br>Digit 1           | NC                        | NC                      |
| 15         | Cathode H<br>Digit 1           | Anode F<br>Digit 1               | Cathode F<br>Digit 1           | Anode F                   | Cathode F               |
| 16         | Cathode G<br>Digit 1           | NC                               | NC                             | NC                        | NC                      |

**segment identification**



**connection tables** (Continued) (Dual Digits)

| PIN NUMBER | NSN534                         | NSN581                    | NSN582                  | NSN583                           | NSN584                        |
|------------|--------------------------------|---------------------------|-------------------------|----------------------------------|-------------------------------|
| 1          | NC                             | Anode G                   | Cathode G               | Anode E<br>Digit 1               | Cathode E<br>Digit 1          |
| 2          | Cathode J<br>Digit 1           | Common Cathode<br>Digit 1 | Common Anode<br>Digit 1 | NC                               | NC                            |
| 3          | NC                             | Anode E                   | Cathode E               | Anode D<br>Digit 1               | Cathode D<br>Digit 1          |
| 4          | Cathode C<br>Digit 1           | NC                        | NC                      | Anode DP<br>Digit 1              | Cathode C<br>Digit 1          |
| 5          | Cathode D.P.<br>Digit 1        | NC                        | NC                      | Anode C<br>Digit 1               | Cathode D.P.<br>Digit 1       |
| 6          | Cathode G<br>Digit 2           | NC                        | NC                      | Anode G<br>Digit 2               | Cathode G<br>Digit 2          |
| 7          | Cathode E<br>Digit 2           | Anode D                   | Cathode D               | Anode E<br>Digit 2               | Cathode E<br>Digit 2          |
| 8          | Cathode D<br>Digit 2           | Anode D.P.                | Cathode D.P.            | Anode D<br>Digit 2               | Cathode D<br>Digit 2          |
| 9          | Cathode C<br>Digit 2           | Anode C                   | Cathode C               | Anode D.P.<br>Digit 2            | Cathode C<br>Digit 2          |
| 10         | Cathode D.P.<br>Digit 2        | Common Cathode<br>Digit 2 | Common Anode<br>Digit 2 | Anode C<br>Digit 2               | Cathode D.P.<br>Digit 2       |
| 11         | Common Anode<br>Digits 1 and 2 | Anode B                   | Cathode B               | Common Cathode<br>Digits 1 and 2 | Common Anode<br>Digit 1 and 2 |
| 12         | Cathode B<br>Digit 2           | NC                        | NC                      | Anode B<br>Digit 2               | Cathode B<br>Digit 2          |
| 13         | Cathode A<br>Digit 2           | NC                        | NC                      | Anode A<br>Digit 2               | Cathode A<br>Digit 2          |
| 14         | Cathode F<br>Digit 2           | NC                        | NC                      | Anode F<br>Digit 2               | Cathode F<br>Digit 2          |
| 15         | Cathode B<br>Digit 1           | NC                        | NC                      | Anode B<br>Digit 1               | Cathode B<br>Digit 1          |
| 16         | NC                             | NC                        | NC                      | Anode A<br>Digit 1               | Cathode A<br>Digit 1          |
| 17         | Cathode H<br>Digit 1           | Anode A                   | Cathode A               | NC                               | NC                            |
| 18         | NC                             | Anode F                   | Cathode F               | Anode F<br>Digit 1               | Cathode F<br>Digit 1          |
| 19         | NC                             | NC                        | NC                      | NC                               | NC                            |
| 20         | Cathode G<br>Digit 1           | NC                        | NC                      | Anode G<br>Digit 1               | Cathode G<br>Digit 1          |

**connection tables** (Continued) (Dual Digits)

| PIN NUMBER | NSN734                  | NSN781                    | NSN782                  | NSN783                    | NSN784                  |
|------------|-------------------------|---------------------------|-------------------------|---------------------------|-------------------------|
| 1          | NC                      | Anode G                   | Cathode G               | Anode E<br>Digit 1        | Cathode E<br>Digit 1    |
| 2          | Cathode J<br>Digit 1    | Common Cathode<br>Digit 1 | Common Anode<br>Digit 1 | NC                        | NC                      |
| 3          | NC                      | Anode E                   | Cathode E               | Anode D<br>Digit 1        | Cathode D<br>Digit 1    |
| 4          | Cathode C<br>Digit 1    | NC                        | NC                      | Anode C<br>Digit 1        | Cathode C<br>Digit 1    |
| 5          | Common Anode<br>Digit 1 | NC                        | NC                      | Common Cathode<br>Digit 1 | Common Anode<br>Digit 1 |
| 6          | Cathode D.P.<br>Digit 1 | NC                        | NC                      | Anode D.P.<br>Digit 1     | Cathode D.P.<br>Digit 1 |
| 7          | NC                      | NC                        | NC                      | NC                        | NC                      |
| 8          | Cathode E<br>Digit 2    | NC                        | NC                      | Anode E<br>Digit 2        | Cathode E<br>Digit 2    |
| 9          | Cathode D<br>Digit 2    | Anode D                   | Cathode D               | Anode D<br>Digit 2        | Cathode D<br>Digit 2    |
| 10         | Cathode C<br>Digit 2    | Common Cathode<br>Digit 2 | Common Anode<br>Digit 2 | Anode C<br>Digit 2        | Cathode C<br>Digit 2    |
| 11         | Common Anode<br>Digit 2 | Anode D.P.                | Cathode D.P.            | Common Cathode<br>Digit 2 | Common Anode<br>Digit 2 |
| 12         | Cathode D.P.<br>Digit 2 | Anode C                   | Cathode C               | Anode D.P.<br>Digit 2     | Cathode D.P.<br>Digit 2 |
| 13         | Cathode B<br>Digit 2    | Anode B                   | Cathode B               | Anode B<br>Digit 2        | Cathode B<br>Digit 2    |
| 14         | Cathode A<br>Digit 2    | NC                        | NC                      | Anode A<br>Digit 2        | Cathode A<br>Digit 2    |
| 15         | Cathode F<br>Digit 2    | NC                        | NC                      | Anode F<br>Digit 2        | Cathode F<br>Digit 2    |
| 16         | Cathode G<br>Digit 2    | NC                        | NC                      | Anode G<br>Digit 2        | Cathode G<br>Digit 2    |
| 17         | NC                      | NC                        | NC                      | NC                        | NC                      |
| 18         | Cathode G<br>Digit 1    | Anode A                   | Cathode A               | Anode G<br>Digit 1        | Cathode G<br>Digit 1    |
| 19         | Cathode B<br>Digit 1    | NC                        | NC                      | Anode B<br>Digit 1        | Cathode B<br>Digit 1    |
| 20         | NC                      | NC                        | NC                      | Anode A<br>Digit 1        | Cathode A<br>Digit 1    |
| 21         | Cathode H<br>Digit 1    | NC                        | NC                      | NC                        | NC                      |
| 22         | NC                      | NC                        | NC                      | Anode F<br>Digit 1        | Cathode F<br>Digit 1    |
| 23         | NC                      | Anode F                   | Cathode F               | NC                        | NC                      |
| 24         |                         | NC                        | NC                      |                           |                         |



**connection tables** (Continued) (Quad Digits)

| PIN NUMBER | NSB3382              | NSB3881                | NSB3882              |
|------------|----------------------|------------------------|----------------------|
| 1          | NC                   | NC                     | NC                   |
| 2          | Cathode E            | Anode E                | Cathode E            |
| 3          | Common Anode Digit 1 | Common Cathode Digit 1 | Common Anode Digit 1 |
| 4          | Cathode J Digit 1    | NC                     | NC                   |
| 5          | Cathode H Digit 1    | NC                     | NC                   |
| 6          | Common Anode Digit 2 | Common Cathode Digit 2 | Common Anode Digit 2 |
| 7          | Cathode D            | Anode D                | Cathode D            |
| 8          | Cathode G            | Anode G                | Cathode G            |
| 9          | NC                   | NC                     | NC                   |
| 10         | Common Anode Digit 3 | Common Cathode Digit 3 | Common Anode Digit 3 |
| 11         | Cathode B            | Anode B                | Cathode B            |
| 12         | Cathode A            | Anode A                | Cathode A            |
| 13         | Cathode F            | Anode F                | Cathode F            |
| 14         | Common Anode Digit 4 | Common Cathode Digit 4 | Common Anode Digit 4 |
| 15         | Cathode D.P.         | Anode D.P.             | Cathode D.P.         |
| 16         | Cathode C            | Anode C                | Cathode C            |

| PIN NUMBER | NSB5382              | NSB5881                | NSB5882              |
|------------|----------------------|------------------------|----------------------|
| 1          | Cathode A            | Anode A                | Cathode A            |
| 2          | NC                   | NC                     | NC                   |
| 3          | Cathode D            | Anode D                | Cathode D            |
| 4          | Common Anode Digit 1 | Common Cathode Digit 1 | Common Anode Digit 1 |
| 5          | Cathode J Digit 1    | NC                     | NC                   |
| 6          | Cathode H Digit 1    | NC                     | NC                   |
| 7          | Common Anode Digit 2 | Common Cathode Digit 2 | Common Anode Digit 2 |
| 8          | Cathode C            | Anode C                | Cathode C            |
| 9          | NC                   | NC                     | NC                   |
| 10         | Common Anode Digit 3 | Common Cathode Digit 3 | Common Anode Digit 3 |
| 11         | Cathode B            | Anode B                | Cathode B            |
| 12         | Cathode F            | Anode F                | Cathode F            |
| 13         | Cathode E            | Anode E                | Cathode E            |
| 14         | Common Anode Digit 4 | Common Cathode Digit 4 | Common Anode Digit 4 |
| 15         | Cathode D.P.         | Anode D.P.             | Cathode D.P.         |
| 16         | Cathode G            | Anode G                | Cathode G            |

**connection tables** (Continued) (Quad Digits)

| PIN NUMBER | NSB7382                 | NSB7881                   | NSB7882                 |
|------------|-------------------------|---------------------------|-------------------------|
| 1          | NC                      | NC                        | NC                      |
| 2          | Cathode H<br>Digit 1    | NC                        | NC                      |
| 3          | Cathode J<br>Digit 1    | NC                        | NC                      |
| 4          | Common Anode<br>Digit 1 | Common Cathode<br>Digit 1 | Common Anode<br>Digit 1 |
| 5          | Cathode F               | Anode F                   | Cathode F               |
| 6          | Common Anode<br>Digit 2 | Common Cathode<br>Digit 2 | Common Anode<br>Digit 2 |
| 7          | Cathode C               | Anode C                   | Cathode C               |
| 8          | Cathode D.P.            | Anode D.P.                | Cathode D.P.            |
| 9          | Cathode G               | Anode G                   | Cathode G               |
| 10         | Cathode E               | Anode E                   | Cathode E               |
| 11         | Common Anode<br>Digit 3 | Common Cathode<br>Digit 3 | Common Anode<br>Digit 3 |
| 12         | Cathode B               | Anode B                   | Cathode B               |
| 13         | Cathode A               | Anode A                   | Cathode A               |
| 14         | Common Anode<br>Digit 4 | Common Cathode<br>Digit 4 | Common Anode<br>Digit 4 |
| 15         | Cathode D               | Anode D                   | Cathode D               |



## Mounting Techniques For Multidigit LED Numeric Displays

### introduction

Latest in the expansion of National Semiconductor's LED display product line is the addition of the "Multidigit LED Numeric." Designed to meet the requirements of a wide range of applications, the printed circuit board mounted numerics feature:

- End-stackable 2- and 4-digit packages
- 0.3-, 0.5-, and 0.7-inch digit sizes
- Common anode and common cathode versions
- Direct and multiplex drive

Equally important to all these features is the ease with which the designer can interconnect the display to the rest of a system. This was a primary design goal for the multidigit numerics and it is the purpose of this application note to pass on some of our research to the designer. It should be noted that this is not intended to be an extensive study, but rather is intended to provide direction toward the many possibilities available to the designer.

### electrical and optical specifications

Before treating the problem of mechanical and electrical interconnection, a short statement of the basic properties of the display is in order. For further details see the product data sheet.

#### Electrical

All displays in the multidigit numeric series, whether common anode or common cathode, direct drive or multiplex, share the same electrical characteristics.

|  | Min | Typ | Max | Units |
|--|-----|-----|-----|-------|
| Forward Voltage, $V_f$ , @ 10 mA       |     | 1.7 | 2.0 | V     |
| Reverse Voltage, $V_r$ , @ 100 $\mu$ A | 3.0 | 8.0 |     | V     |
| Digit Light Intensity @ 10 mA          | 0.8 | 1.6 |     | mcd   |

The choice between common anode and common cathode should merely be a matter of convenience of interface to the rest of the electrical design. However, the choice between multiplex and direct drive is more complex and quite fundamental to any design. It is not within the scope of this application note to discuss the tradeoffs between direct and multiplex drive except for one caution to the designer: when multiplexing, care should be exercised to not exceed the peak segment current ratings of the device. For example:

Desired average segment current – 15 mA

Peak current for a 4-digit display:  
 $4 \times 15 \text{ mA} = 60 \text{ mA}$

Peak current for a 6-digit display:  
 $6 \times 15 \text{ mA} = 90 \text{ mA}$

Therefore, for applications requiring more than 75 mA peak current when multiplexed, direct drive is suggested.

#### Optical Characteristics

As with the electrical specifications, the multidigit numerics all have common optical properties. This directly results from the material used and techniques of manufacture.

| Characteristic                 | Typ      | Units   |
|--------------------------------|----------|---------|
| Wavelength                     | 660      | nm      |
| Spectral Width, Half Intensity | 40       | nm      |
| Viewing Angle, Off Axis        | 60       | degrees |
| Intensity (digit)              | 1.6      | mcd     |
| Intensity Matching             | $\pm 33$ | %       |

Contrast enhancement can be achieved by using a lens over the display that has a peak transmission point centered around 660 nm.

## mechanical design

The principal concern of a mechanical designer when "designing in" a display is the functional relationship of the display to the design. This relationship is the primary factor in determining the means of mechanical support and electrical interconnection for the display and varies tremendously from one application to another.

### Examples:

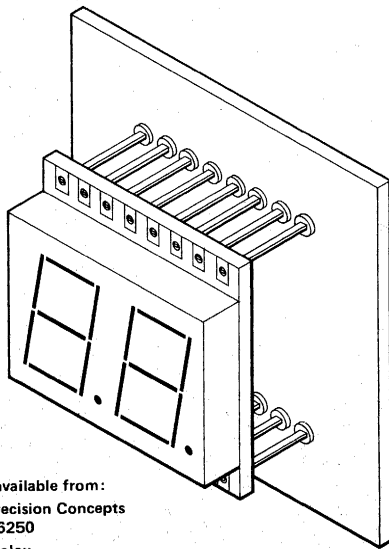
#### 1. TV Channel Indicator – 2 Digits – NSN Dual Series

##### Design Constraints:

1. One display mounted parallel and adjacent to the logic board.

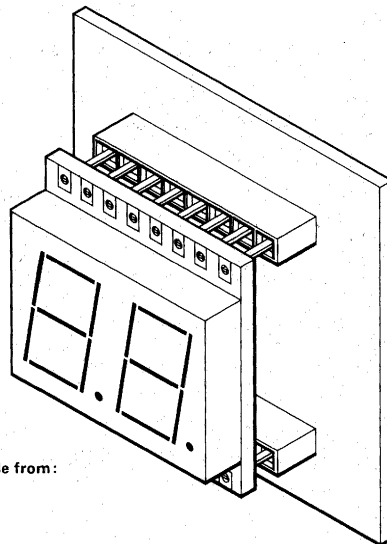
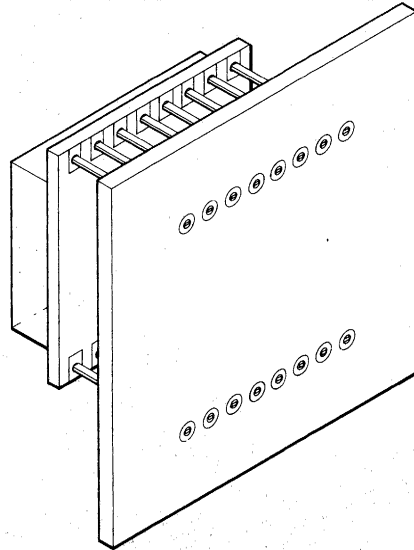
In nearly all cases, more than one answer presents itself, at which point the designer must tradeoff mechanical and/or electrical considerations with cost. Cost can vary considerably, ranging from inexpensive pin schemes at less than one cent per connection to connectors costing over ten cents per connection.

2. Support to be provided by the interconnection.



pins available from:

1. Precision Concepts  
#6250
2. Molex  
KK-100 Series
3. AMP Inc.  
Mod. II

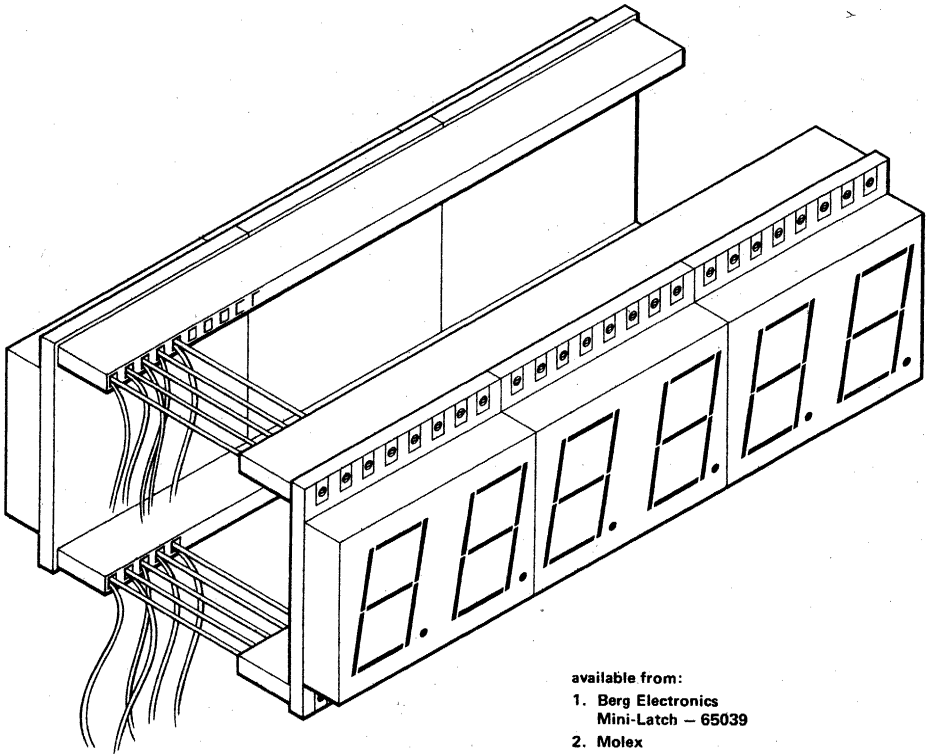


connectors available from:

1. Molex  
KK-156 Series
2. AMP Inc.  
Mod. IV

**2. Cash Register — Two 6-Digit Displays — NSN Dual Series****Design Constraints:**

1. Two sets of 3 dual-digit displays mounted back-to-back.
2. Displays are removed from the immediate vicinity of the logic board.
3. Support does not have to be provided by the connection since it can be part of the case design.
4. Serviceability an important consideration.

**available from:**

1. Berg Electronics  
Mini-Latch — 65039
2. Molex  
KK-156 Series

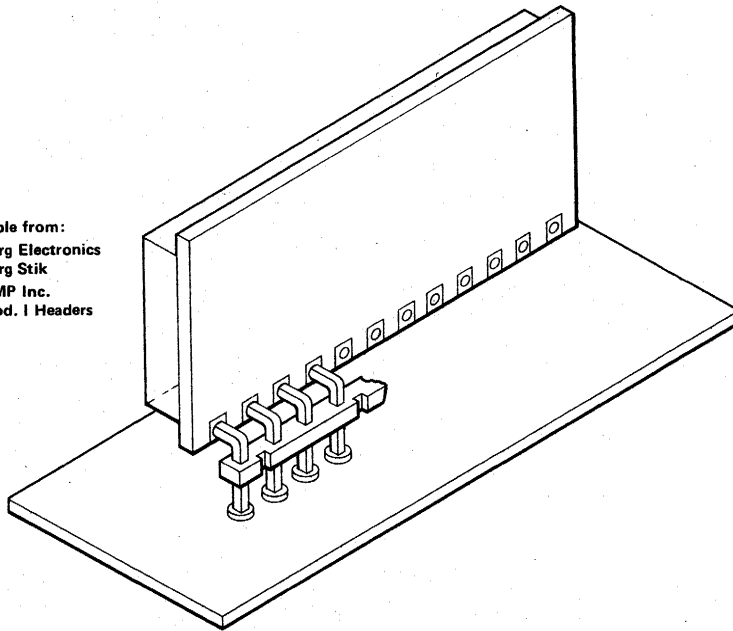
**3. Digital Voltmeter – 3½-Digit Display – NSB Multiplex Series**

**Design Constraints:**

1. One display mounted perpendicular to the logic board.
2. Display support to be provided by the interconnection.
3. The interconnection should use minimum space.

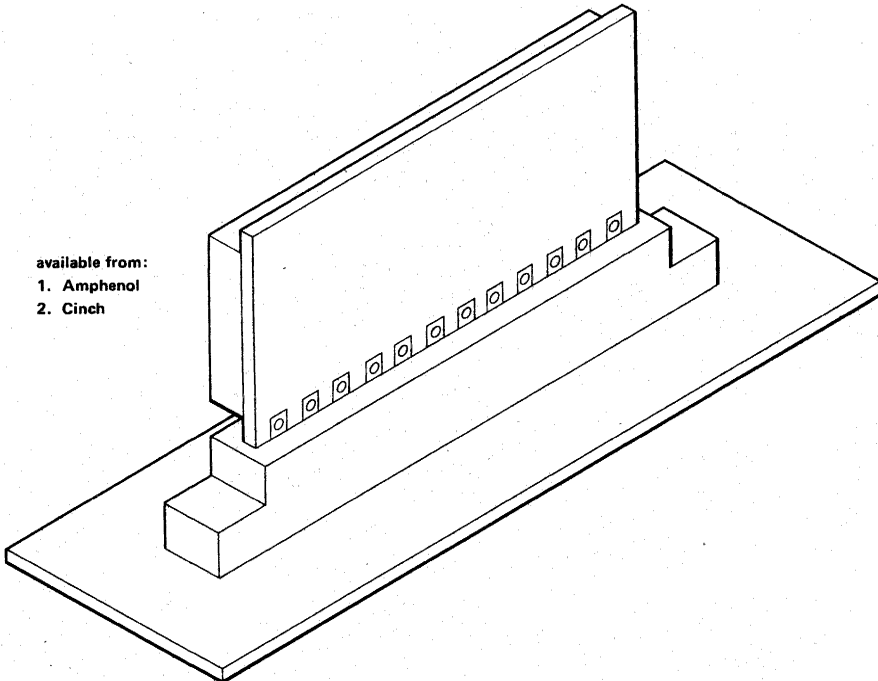
available from:

1. Berg Electronics  
Berg Stik
2. AMP Inc.  
Mod. I Headers

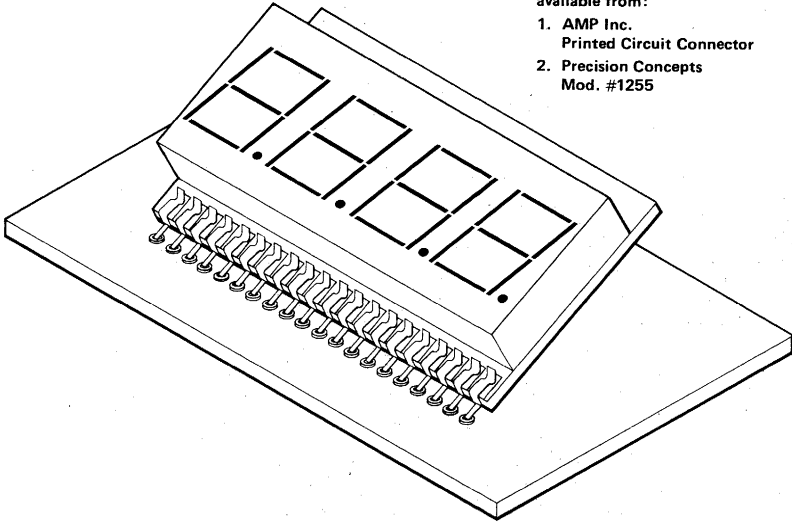


available from:

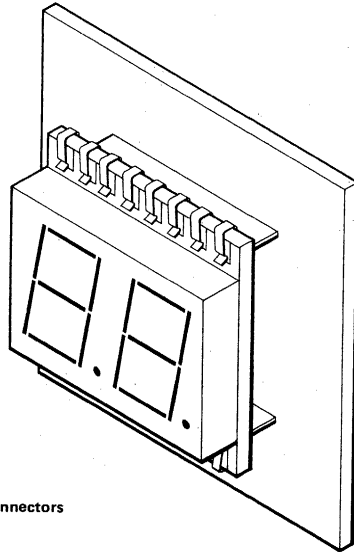
1. Amphenol
2. Cinch



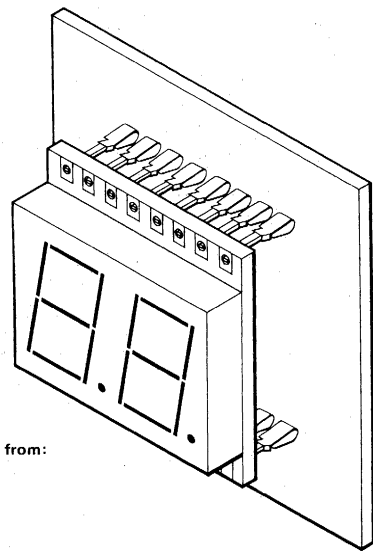
further design examples



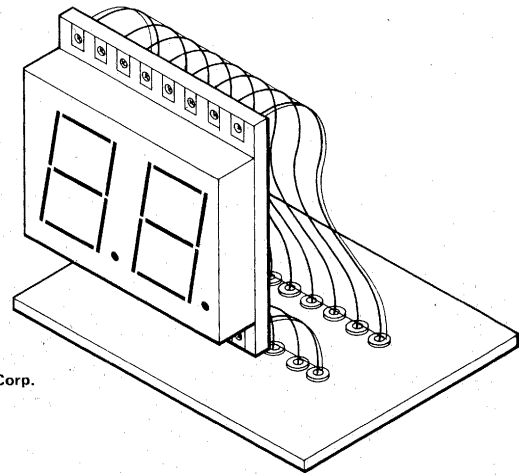
available from:  
1. AMP Inc.  
Printed Circuit Connector  
2. Precision Concepts  
Mod. #1255



available from:  
1. AMP Inc.  
Printed Circuit Connectors



PCB connectors available from:  
**Molex**  
**Soldercon Series**



available from:  
 1. Anslay Electronics Corp.  
 "Flex Strip"  
 2. AMP Inc.  
 Jumper Cable Ass'y

**recommended display processing**

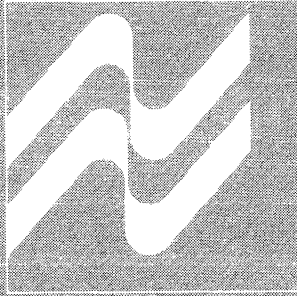
The multidigit display is constructed on a standard printed circuit board substrate and covered with a plastic lens. The edge connector tab will stand a temperature of 230°C for 5 seconds. The display lens area must not be elevated in temperature above 70°C. To do so will result in permanent damage to the display. Since the display is not hermetic, immersion of the entire package during flux and clean operations may cause condensation of flux or cleaner on the underside of the lens. It is recommended that only the edge connectors be immersed. Only rosin core solder, solid core solder, and low activity organic fluxes are recommended. Cleaning

solvents are Freon TF, isopropanol, methanol, or ethanol. These solvents are recommended only at room temperature and for short time periods. The use of other solvents or elevated temperature use of the recommended solvents may cause permanent damage to the lens or display.

This application note is not intended to imply specific endorsement or warranty of a manufacturer's product by National Semiconductor. In addition, it is not an inclusive list of manufacturers, and the designers will by research find additional sources and a wide range of prices.







**SECTION 13**  
**CLOCK MODULES**



## MA1002 LED display digital electronic clock module

### general description

The MA1002 Series Electronic Clock Modules combine a monolithic MOS-LSI integrated clock circuit, 4-digit 0.5" LED display, power supply and other associated discrete components on a single printed circuit board to form a complete electronic clock movement. The user need add only a transformer and switches to construct a pretested digital clock for application in clock-radios, alarm or instrument panel clocks. Timekeeping may be from 50 or 60 Hz inputs and 12 and 24 hour display formats may be chosen. Direct (non-multiplexed) LED drive eliminates RF interference. Time setting is made easy through use of "Fast" and "Slow" scanning controls.

Features include alarm "on" and "PM" indicators, blinking colon, "sleep" and "snooze" timers and variable brightness control capability. Alarm clock options include a transistor oscillator circuit for use with low-cost earphone audio transducers. Power failure is indicated by flashing the display at a 1 Hz rate.

### features

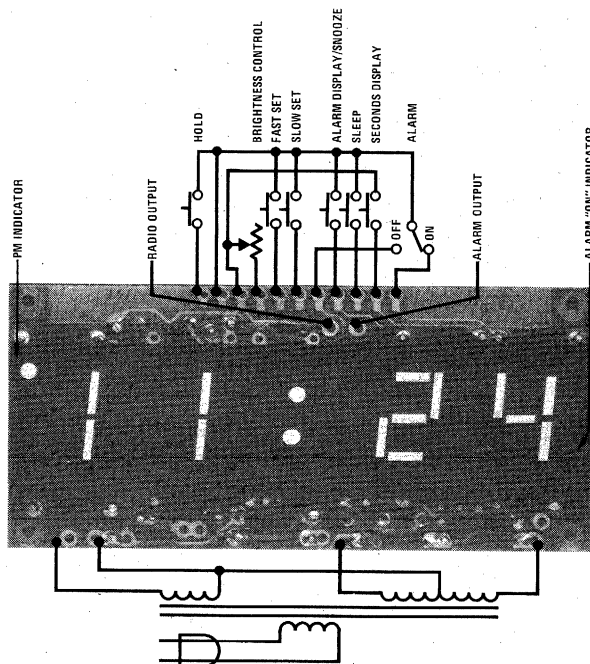
- Bright 4-digit 0.5" LED display
- Complete – add only transformer and switches

- Alarm clock and clock-radio versions
- 12 or 24 hour display format
- 50 or 60 Hz operation
- Power failure indication
- Brightness control capability
- "Sleep" and "snooze" timers
- Alarm "on" and PM indicators
- Direct drive – no RFI
- Fast and slow set controls
- Low cost, extremely compact design

### applications

- Clock-radio timers
- Alarm clocks
- Desk clocks
- TV-stereo timers
- Instrument panel clocks

### block diagram



## absolute maximum ratings

|  |  |
|--|--|
| Voltage – Pins E6 to E8                  | 21 Vrms  |
| Voltage – Pins E7, E9 to E8              | 7.0 Vrms                                       |
| Voltage – Pins E1, E3 to E13             | +0.3 to $-26V_{DC}$                            |
| Operating Temperature Range              | $-20^{\circ}\text{C}$ to $+60^{\circ}\text{C}$ |
| Storage Temperature Range                | $-20^{\circ}\text{C}$ to $+70^{\circ}\text{C}$ |
| Lead Temperature (Soldering, 10 seconds) | $300^{\circ}\text{C}$                          |

## electrical characteristics

$T_A = 25^{\circ}\text{C}$ ; E6 to E8 = 16 Vrms; E7, E9 to E8 = 5.0 Vrms, unless otherwise specified.

Normal operating conditions allow E6 to E8 to vary between 14 and 18 Vrms; E7, E9 to E8 to vary between 4.2 and 6.5 Vrms.

| PARAMETER                                 | CONDITIONS   | MIN | TYP | MAX | UNITS            |
|---|--|-----|-----|-----|------------------|
| $V_{DD}$ MOS Supply Voltage               | $V_{SS} = 0\text{V}$                                 | -18 | -22 | -25 | $V_{DC}$         |
| $I_b$ MOS Power Supply Current            | 100% Display Brightness                              |     | 23  | 28  | $\text{mA}_{DC}$ |
| $I_b$ MOS Power Supply Current            | Display Off  |     | 3   | 5   | $\text{mA}_{DC}$ |
| LED Power Supply Current                  | 100% Display Brightness<br>(20:08)                   |     | 250 | 280 | $\text{mA}$      |
| $V_{DD}$ Power Failure Indication Voltage | $V_{SS} = 0\text{V}$                                 |     | -5  | -8  | $V_{DC}$         |
| LED Segment Display Current               | Short Pin 3 to Pin 4<br>( $R = 0\Omega$ )            |     | 11  |     | $\text{mA}$      |
|   | $R = 50\text{k}$ (Clock-Radio)                       |     | 0.3 |     | $\text{mA}$      |
|   | $R = \infty$ (Clock-Radio)                           |     | 0.0 |     | $\text{mA}$      |
|   | $R = \infty$ (Alarm Clock)                           |     | 1.5 |     | $\text{mA}$      |
| Alarm and Radio Outputs                   | $V_{OH} = V_{SS} - 2$                                | 0.5 |     |     | $\text{mA}$      |
|   | $V_{OH} = V_{SS} - 10$                               | 2.0 |     |     | $\text{mA}$      |
|   | $V_{OL} = V_{DD} + 2$                                | -1  |     |     | $\mu\text{A}$    |
| Power Dissipation                         | 100% Display Brightness<br>(20:08) Max Input Voltage |     |     | 2.5 | W                |

## optical characteristics

| PARAMETER                      | CONDITIONS               | MIN      | TYP | MAX | UNITS          |
|--------------------------------|--------------------------|----------|-----|-----|----------------|
| Luminous Intensity Per Segment | $I = 11 \text{ mA}_{DC}$ | 100      | 300 |     | $\mu\text{cd}$ |
| Peak Wavelength                |                          |          | 660 |     | $\text{nm}$    |
| Spectral Width                 | Half-Intensity           |          | 40  |     | $\text{nm}$    |
| Viewing Angle                  | 1/2 Brightness Point     | $\pm 60$ |     |     | degrees        |
| Variation                      | Any Two Segments         |          |     | 2:1 |                |

## functional description

### DISPLAY MODES

The MA1002 provides four basic selectable display modes: These are summarized in Table I.

**Colon:** 12 hour display models (MA1002A, B, E, F) are furnished with a colon display which flashes at a 1 Hz rate. (Fixed colon units are available on special order.)  
24 hour display models (MA1002C, D, G, H) are furnished with fixed colons.

**Alarm "ON" Indicator:** Setting the alarm switch to "on" lights a dot in the lower right hand corner of the display.

**AM/PM Indicator:** PM time indication is given by a dot in the upper left hand corner of the display (12 hour models only). Indication applies for both time and alarm display modes.

**Power Failure Indication:** Power failure is indicated by the entire display flashing at a 1 Hz rate. Contact to either the FAST or SLOW time set control cancels this indication.

**Zero Blanking:** Zeroes appearing in the first digit are blanked in both 12 and 24 hour display models.

**Note:** Additional information concerning device operation may be found on the MM5385, MM5386 clock circuit data sheet.

### CONTROL FUNCTIONS

Setting of Time, Alarm Time, Seconds and Sleep Timer registers is accomplished by selecting the appropriate display mode and simultaneously contacting one or both of the FAST and SLOW time setting switches. This is summarized in Table II.

## functional description (con't)

**Alarm On/Off Switch:** The Alarm On/Off switch is an SPDT switch — the "ON" position lights the alarm set indicator; the "OFF" position disables the alarm output latch and silences the alarm. The alarm output will continue for 59 minutes unless cancelled by the Alarm On/Off switch or inhibited by the Alarm Display/Snooze button.

**Alarm Display/Snooze Button:** This momentary switch has four functions: displays the alarm time; enables setting of alarm time (in conjunction with fast or slow set switches); cancels the Sleep (Radio) output; and inhibits the alarm output for a period of between 8 and 9 minutes (Snooze function). The Snooze alarm feature may be used repeatedly during the 59 minute alarm enable period.

**Sleep Display/Timer Button:** A momentary contact displays the time remaining in the sleep register and enables programming the desired sleep time by simultaneously using the Fast or Slow buttons, as shown in Table II. The Sleep (Radio) output is latched on for the interval programmed, which may be up to 59 minutes. The Sleep output may be cancelled by momentarily contacting the Alarm Display/Snooze button. Resetting the time-of-day will decrement the Sleep Timer, which will not recycle past 00.

**Brightness Control:** Maximum display current is obtained by placing a short circuit between  $V_{DD}$  and the Brightness Control input. For clock-radio versions, insertion of a 10-50k potentiometer will reduce display brightness to a low level for night viewing, with an open circuit

turning the display off completely. Alarm clock versions reduce display current to approximately 10% if the Brightness Control input is open circuited.

**Control Priorities:** In the absence of Display Control switch inputs, the display shows time-of-day information. If more than one mode is simultaneously selected, the priorities are as shown in Table I.

### OUTPUTS

**Sleep (Radio):** A positive current source output controlled by the sleep timer. This output can be used to switch on an NPN power transistor for controlling a radio or other appliance.

**Alarm:** A positive current source output controlled by the alarm comparator and enable circuit. This output may be used to control an alarm oscillator, wake-to-radio function, or start an appliance at a predetermined time.

**Alarm Tone (alarm clock versions only):** An oscillator output gated by the alarm output. On 12 hour versions, the tone is interrupted at a 0.5 second "ON," 0.5 second "OFF" rate. The oscillator circuit uses a low cost miniature earphone (not supplied) as both inductance and audio transducer. The earphone should have an inductance of 100 mH and a resistance of 500Ω.

**Note:** Certain outputs of the MA1002 module are directly connected to MOS device inputs. Normal precautions taken for handling of MOS devices should be applied to the handling of this module.

TABLE I. MA1002 DISPLAY MODES

| *SELECTED DISPLAY MODE | DIGIT NO. 1           | DIGIT NO. 2 | DIGIT NO. 3     | DIGIT NO. 4 |
|------------------------|-----------------------|-------------|-----------------|-------------|
| Time Display           | 10's of Hours & AM/PM | Hours       | 10's of Minutes | Minutes     |
| Seconds Display        | Blanked               | Minutes     | 10's of Seconds | Seconds     |
| Alarm Display          | 10's of Hours & AM/PM | Hours       | 10's of Minutes | Minutes     |
| Sleep Display          | Blanked               | Blanked     | 10's of Minutes | Minutes     |

\*If more than one display mode input is applied, the display priorities are in the order of Sleep (overrides all others), Alarm, Seconds, Time (no other mode selected).

TABLE II. MA1002 CONTROL FUNCTIONS

| SELECTED DISPLAY MODE | CONTROL INPUT | CONTROL FUNCTION   |
|-----------------------|---------------|--|
| *Time                 | Slow          | Minutes Advance at 2 Hz Rate   |
|                       | Fast          | Minutes Advance at 60 Hz Rate  |
|                       | Both          | Minutes Advance at 60 Hz Rate  |
| Alarm/Snooze          | Slow          | Alarm Minutes Advance at 2 Hz Rate                                   |
|                       | Fast          | Alarm Minutes Advance at 60 Hz Rate                                  |
|                       | Both          | Alarm Resets to 12:00 AM (12-hour format)                            |
|                       | Both          | Alarm Resets to (0)0:00 (24-hour format)                             |
| Seconds               | Slow          | Input to Entire Time Counter is Inhibited (Hold)                     |
|                       | Fast          | Seconds and 10's of Seconds Reset to Zero Without a Carry to Minutes |
|                       | Both          | Time Resets to 12:00:00 AM (12-hour format)                          |
|                       | Both          | Time Resets to (0)0:00:00 (24-hour format)                           |
| Sleep                 | Slow          | Subtracts Count at 2 Hz  |
|                       | Fast          | Subtracts Count at 60 Hz   |
|                       | Both          | Subtracts Count at 60 Hz   |

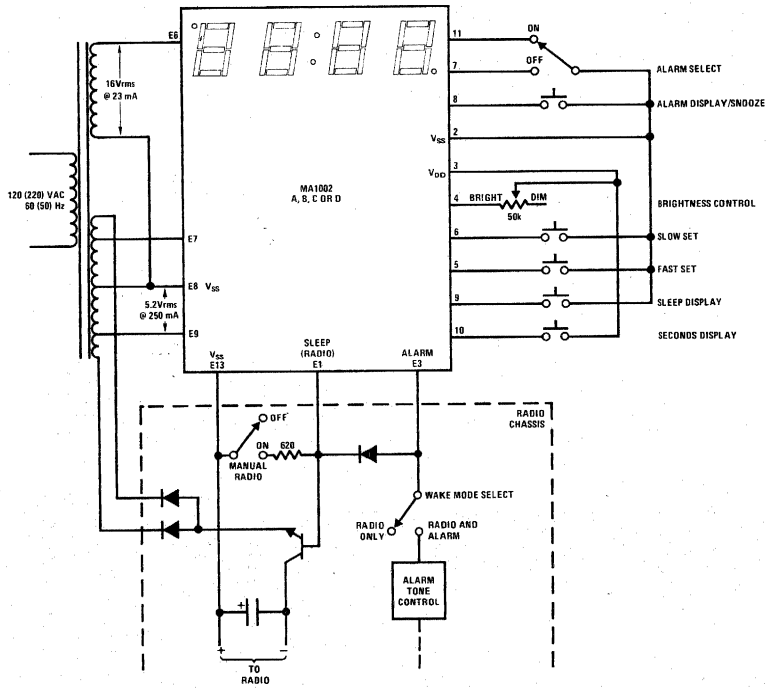
\*When setting time sleep minutes will decrement at rate of time counter, until the sleep counter reaches 00 minutes (sleep counter will not recycle).

module selection guide

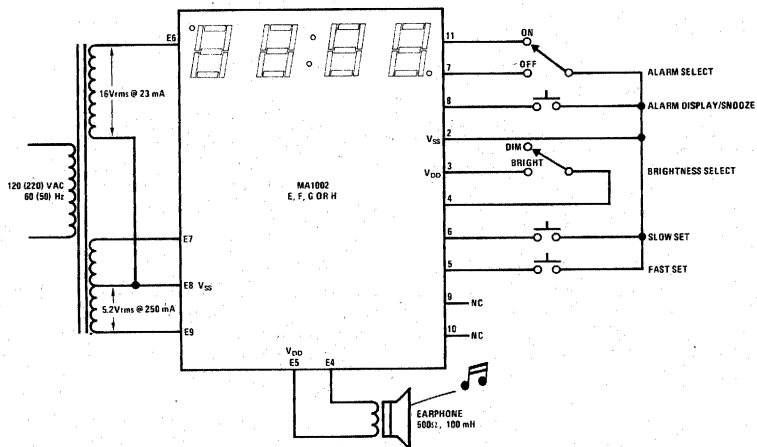
| PART NUMBER | FUNCTION (CLOCK/RADIO OR ALARM) | LINE FREQUENCY | DISPLAY HOURS |
|-------------|---------------------------------|----------------|---------------|
| MA1002A     | CR                              | 60             | 12            |
| MA1002B     | CR                              | 50             | 12            |
| MA1002C     | CR                              | 60             | 24            |
| MA1002D     | CR                              | 50             | 24            |
| MA1002E     | A                               | 60             | 12            |
| MA1002F     | A                               | 50             | 12            |
| MA1002G     | A                               | 60             | 24            |
| MA1002H     | A                               | 50             | 24            |

applications information

Full Feature Clock Radio

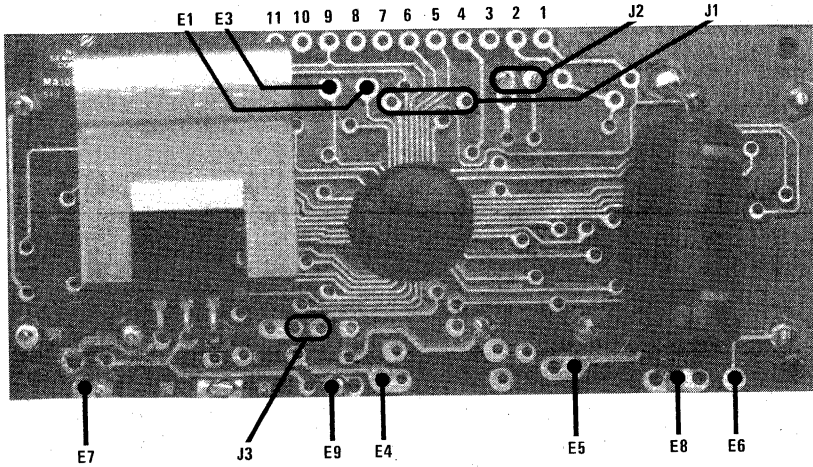


Alarm Clock

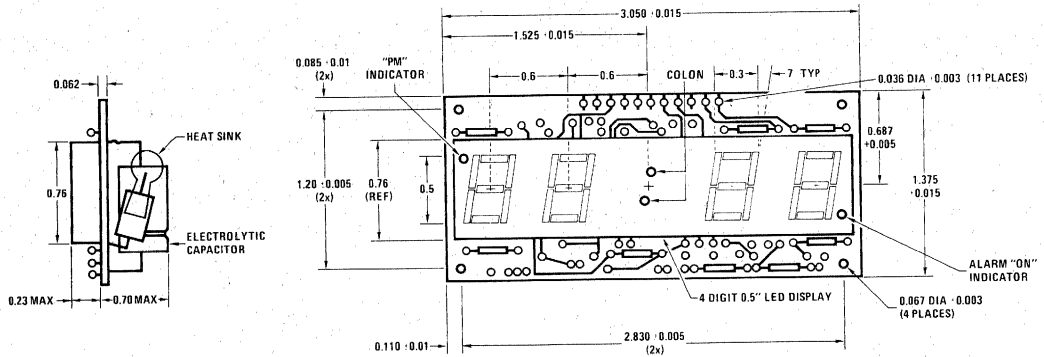




contact locations



physical dimensions







## MA1003 12 V<sub>DC</sub> automotive/instrument clock module

### general description

The MA1003 12 V<sub>DC</sub> Automotive/Instrument Clock Module combines the MM5377 monolithic MOS/LSI clock circuit, a 4-digit 0.3" green vacuum fluorescent display, a 2.097 MHz crystal and supporting components to form a complete digital clock for 12 V<sub>DC</sub> applications. The module is fully protected against automotive transients and battery reversal conditions with time-keeping maintained down to 9 V<sub>DC</sub>. Automatic display brightness control logic blanks the display with ignition off, reduces brightness to 33% with park or head lamps on and follows the dash lamp dimming control setting. The display features leading zero blanking and has a blinking colon activity indicator. The bright green display color is filterable to various shades in the green, blue-green, blue and yellow color range. Time setting is accomplished by closing hours-advance and minutes-advance switches; these switches are disabled when the display is blanked to prevent tampering. Interconnections are simplified through use of a 6-pin edge connector. Display may be activated with ignition off or park (head) lights off by closing display switch, allowing minimum power consumption in portable applications.

### features

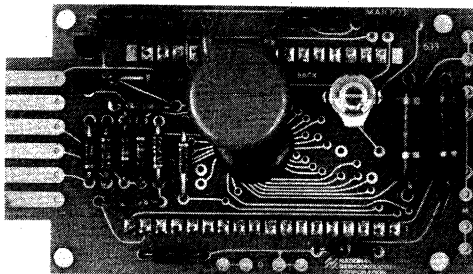
- Ideal for automotive applications
- Operates from 12 V<sub>DC</sub> supply

- Bright 0.3" green display
- Internal crystal timebase
- Protected against automotive voltage transients and reversals
- Timekeeping maintained to 9 V<sub>DC</sub>
- Automatic display brightness control logic
- Display color filterable to blue, blue-green, green and yellow
- Complete, just add switches and lens
- Convenient time setting controls at a 1 Hz rate with no roll-over
- Compact size, built-in connector (optional)
- Low standby power consumption
- Lockout of time setting when display is "OFF"

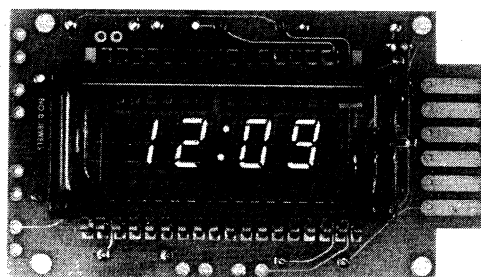
### applications

- In-dash autoclcks
- After-market auto/recreational vehicle clocks
- Aircraft-marine clocks
- 12 V<sub>DC</sub> operated instruments
- Portable/battery powered instruments

Back View

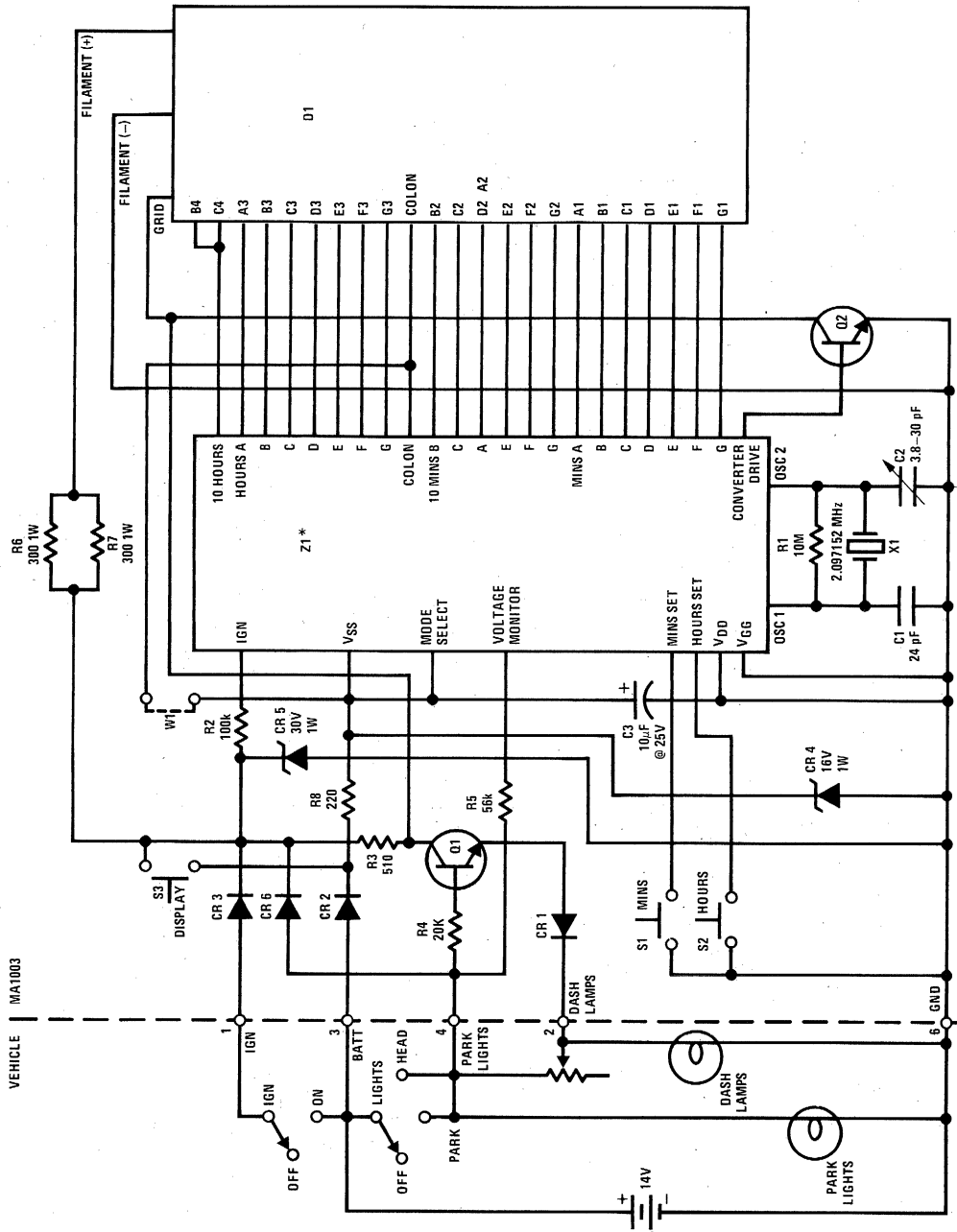


Front View





schematic diagram and typical application



\*Z1-MM5377



## MA1010 LED display digital electronic clock module

### general description

The MA1010 Series Electronic Clock Modules combine a monolithic MOS-LSI integrated clock circuit, 4-digit 0.84" LED display, power supply and other associated discrete components on a single printed circuit board to form a complete electronic clock movement. The user need add only a transformer and switches to construct a pretested digital clock for application in clock-radios, alarm or instrument panel clocks. Timekeeping may be from 50 or 60 Hz inputs and 12 or 24 hour display formats may be chosen. Direct (non-multiplexed) LED drive eliminates RF interference. Time setting is made easy through use of "Fast" and "Slow" scanning controls.

Features include alarm "on" and "PM" indicators, blinking colon, "sleep" and "snooze" timers and variable brightness control capability. Alarm clock options include a transistor oscillator circuit for direct drive of 8Ω loudspeakers.

### features

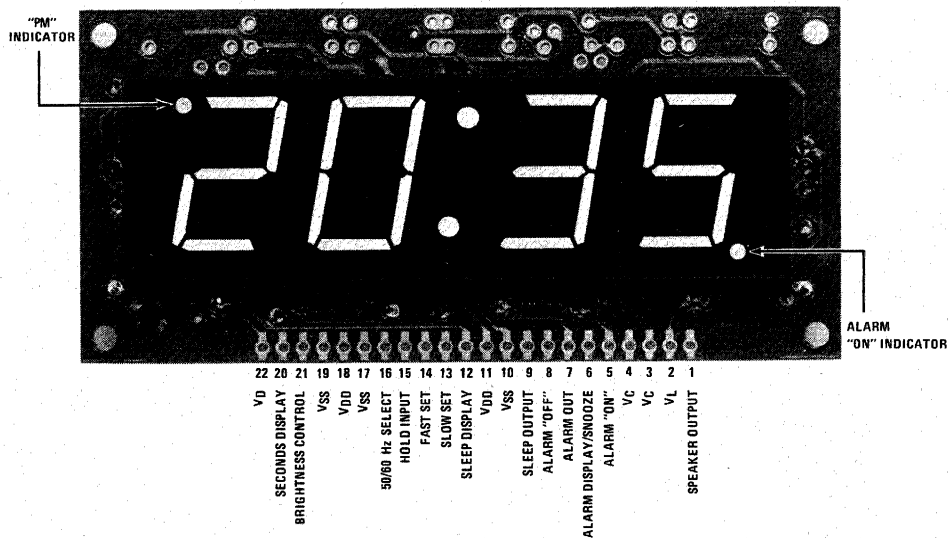
- Bright 4-digit 0.84" LED display
- Complete — add only transformer and switches

- Alarm clock and clock-radio versions
- Alarm output drives 8Ω speaker
- 12 or 24 hour display format
- 50 or 60 Hz operation
- Power failure indication
- Brightness control capability
- "Sleep" and "snooze" times
- Alarm "on" and PM indicators
- Direct drive — no RFI
- Fast and slow set controls
- Low cost, extremely compact design

### applications

- Clock-radio timers
- Alarm clocks
- Desk clocks
- TV-stereo timers
- Instrument panel clocks

### pin connection diagram



**absolute maximum ratings**

|  |                            |
|--|----------------------------|
| Voltage — Pins 22 to 10                  | 20 Vrms                    |
| Voltage — Pins 3, 4 and 10               | 9.0 Vrms                   |
| Voltage — Pins 9, 7 and 10               | +0.3 to -26V <sub>DC</sub> |
| Operating Temperature Range              | -20°C to +60°C             |
| Storage Temperature Range                | -20°C to +70°C             |
| Lead Temperature (Soldering, 10 seconds) | 300°C                      |

**electrical characteristics**

T<sub>A</sub> = 25°C; Pins 22 to 10 = 16 Vrms; Pins 3, 4 to 10 = 7.0 Vrms, unless otherwise specified.

Normal operating conditions allow Pins 22 to 10 to vary between 14 and 18 Vrms; Pins 3, 4 to 10 to vary between 5.7 and 8.7 Vrms.

| PARAMETER       |                                  | CONDITIONS   | MIN | TYP | MAX  | UNITS            |
|-----------------|----------------------------------|--|-----|-----|------|------------------|
| V <sub>DD</sub> | MOS Supply Voltage               | V <sub>SS</sub> = 0V                                 | -18 | -22 | -25  | V <sub>DC</sub>  |
| I <sub>22</sub> | MOS Power Supply Current         | 100% Display Brightness                              |     | 14  | 18   | mA <sub>DC</sub> |
| I <sub>22</sub> | MOS Power Supply Current         | Display Off  |     | 3   | 5    | mA <sub>DC</sub> |
|                 | LED Power Supply Current         | 100% Display Brightness (20:08)                      |     | 250 | 280  | mA               |
| V <sub>DD</sub> | Power Failure Indication Voltage | V <sub>SS</sub> = 0V                                 |     | -5  | -8   | V <sub>DC</sub>  |
|                 | LED Segment Display Current      | Short Pin 18 to Pin 20 (R = 0Ω)                      |     | 11  |      | mA               |
|                 |                                  | R = 50K (Clock-Radio)                                |     | 0.3 |      | mA               |
|                 |                                  | R = ∞ (Clock-Radio)                                  |     | 0.0 |      | mA               |
|                 |                                  | R = ∞ (Alarm Clock)                                  |     | 1.5 |      | mA               |
|                 | Alarm and Radio Outputs          | V <sub>OH</sub> = V <sub>SS</sub> - 2                | 0.5 |     |      | mA               |
|                 |                                  | V <sub>OH</sub> = V <sub>SS</sub> - 10               | 2.0 |     |      | mA               |
|                 |                                  | V <sub>OL</sub> = V <sub>DD</sub> + 2                | -1  |     |      | μA               |
|                 | Alarm Oscillator Output          | R <sub>LOAD</sub> = 8Ω                               | 370 | 400 |      | mW               |
|                 | Power Dissipation                | 100% Display Brightness<br>(20:08) Max Input Voltage |     |     | 2.85 | W                |

**optical characteristics**

| PARAMETER                      | CONDITIONS              | MIN | TYP | MAX | UNITS   |
|--------------------------------|-------------------------|-----|-----|-----|---------|
| Luminous Intensity Per Segment | I = 11 mA <sub>DC</sub> | 200 | 600 |     | μcd     |
| Peak Wavelength                |                         |     | 660 |     | nM      |
| Spectral Width                 | Half-Intensity          |     | 40  |     | nM      |
| Viewing Angle                  | 1/2 Brightness Point    | ±60 |     |     | degrees |
| Variation — Any Two Segments   | R = 0, Pins 18 to 20    |     |     | 2:1 |         |
|                                | R = 4.3K, Pins 18 to 20 |     |     | 2:1 |         |

**functional description****Display Modes**

The MA1010 provides four basic selectable display modes. These are summarized in Table I.

**Colon:** 12 hour display models (MA1010A, E) are furnished with a colon display which flashes at a 1 Hz rate. (Fixed colon units are available on special order.)  
24 hour display models (MA1010C, G) are furnished with fixed colons.

**Alarm "ON" Indicator:** Setting the alarm switch to "on" lights a dot in the lower right hand corner of the display.

**AM/PM Indicator:** PM time indication is given by a dot in the upper left hand corner of the display (12 hour models only). Indication applies for both time and alarm display modes.

**Power Failure Indication:** Power failure is indicated by the entire display flashing at a 1 Hz rate. Contact to either the FAST or SLOW time set control cancels this indication.

**Zero Blanking:** Zeroes appearing in the first digit are blanked in both 12 and 24 hour display models.

**NOTE**

Additional information concerning device operation may be found on the MM5385, MM5386 clock circuit data sheet.

## functional description (con't)

### Control Functions

Setting of Time, Alarm Time, Seconds and Sleep Timer registers is accomplished by selecting the appropriate display mode and simultaneously contacting one or both of the FAST and SLOW time setting switches. This is summarized in Table II.

**Alarm On/Off Switch:** The Alarm On/Off switch is an SPDT switch — the "ON" position lights the alarm set indicator; the "OFF" position disables the alarm output latch and silences the alarm. The alarm output will continue for 59 minutes unless cancelled by the Alarm On/Off switch or inhibited by the Alarm Display/Snooze button.

**Alarm Display/Snooze Button:** This momentary switch has four functions: displays the alarm time; enables setting of alarm time (in conjunction with fast or slow set switches); cancels the Sleep (Radio) output; and inhibits the alarm output for a period of between 8 and 9 minutes (Snooze function). The Snooze alarm feature may be used repeatedly during the 59 minute alarm enable period.

**Sleep Display/Timer Button:** A momentary contact displays the time remaining in the sleep register and enables programming the desired sleep time by simultaneously using the Fast or Slow buttons, as shown in Table II. The Sleep (Radio) output is latched on for the interval programmed, which may be up to 59 minutes. The Sleep output may be cancelled by momentarily contacting the Alarm Display/Snooze button. Resetting the time-of-day will decrement the Sleep Timer, which will not recycle past 00.

**Brightness Control:** Maximum display current is obtained by placing a short circuit between  $V_{DD}$  and the Brightness Control input. For clock-radio versions, insertion of a 10k potentiometer will reduce display brightness to a low level for night viewing, with an open circuit turning the display off completely. Alarm clock versions reduce display current to approximately 10% if the Brightness Control input is open circuited.

### Outputs

**Sleep (Radio):** A positive current source output controlled by the sleep timer. This output can be used to switch on an NPN power transistor for controlling a radio or other appliance.

**Alarm:** A positive current source output controlled by the alarm comparator and enable circuit. This output may be used to control an alarm oscillator, wake-to-radio function, or start an appliance at a predetermined time.

**Alarm Tone (alarm clock versions only):** An oscillator output gated by the alarm output. On 12 hour versions, the tone is interrupted at a 0.5 second "ON," 0.5 second "OFF" rate. The oscillator produces a tone of approximately 2 kHz and is capable of driving loads such as loud speakers directly. Load impedance is not critical, but should be at least 4 ohms.

### NOTE

Certain outputs of the MA1010 module are directly connected to MOS device inputs. Normal precautions taken for handling of MOS devices should be applied to the handling of this module.

TABLE I. MA1010 DISPLAY MODES

| *SELECTED DISPLAY MODE | DIGIT NO. 1           | DIGIT NO. 2 | DIGIT NO. 3     | DIGIT NO. 4 |
|------------------------|-----------------------|-------------|-----------------|-------------|
| Time Display           | 10's of Hours & AM/PM | Hours       | 10's of Minutes | Minutes     |
| Seconds Display        | Blanked               | Minutes     | 10's of Seconds | Seconds     |
| Alarm Display          | 10's of Hours & AM/PM | Hours       | 10's of Minutes | Minutes     |
| Sleep Display          | Blanked               | Blanked     | 10's of Minutes | Minutes     |

\*If more than one display mode input is applied, the display priorities are in the order of Sleep (overrides all others), Alarm, Seconds, Time (no other mode selected).

TABLE II. MA1010 CONTROL FUNCTIONS

| SELECTED DISPLAY MODE | CONTROL INPUT | CONTROL FUNCTION  |
|-----------------------|---------------|---|
| *Time                 | Slow          | Minutes Advance at 2 Hz Rate  |
|                       | Fast          | Minutes Advance at 60 Hz Rate   |
|                       | Both          | Minutes Advance at 60 Hz Rate   |
| Alarm/Snooze          | Slow          | Alarm Minutes Advance at 2 Hz Rate  |
|                       | Fast          | Alarm Minutes Advance at 60 Hz Rate   |
|                       | Both          | Alarm Resets to 12:00 AM (12-hour format)<br>Alarm Resets to (0)0:00 (24-hour format)     |
| Seconds               | Slow          | Input to Entire Time Counter is Inhibited (Hold)  |
|                       | Fast          | Seconds and 10's of Seconds Reset to Zero Without a Carry to Minutes                      |
|                       | Both          | Time Resets to 12:00:00 AM (12-hour format)<br>Time Resets to (0)0:00:00 (24-hour format) |
| Sleep                 | Slow          | Subtracts Count at 2 Hz   |
|                       | Fast          | Subtracts Count at 60 Hz  |
|                       | Both          | Subtracts Count at 60 Hz  |

\*When setting time sleep minutes will decrement at rate of time counter, until the sleep counter reaches 00 minutes (sleep counter will not recycle).

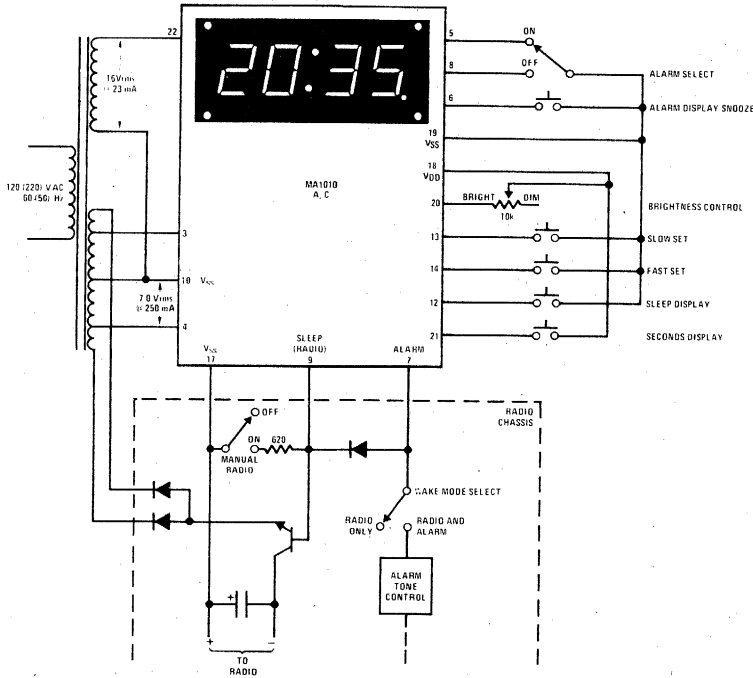
module selection guide

| PART NUMBER | FUNCTION (CLOCK/RADIO OR ALARM) | LINE FREQUENCY | DISPLAY HOURS |
|-------------|---------------------------------|----------------|---------------|
| MA1010A     | CR                              | 50/60          | 12            |
| MA1010C     | CR                              | 50/60          | 24            |
| MA1010E     | A                               | 50/60          | 12            |
| MA1010G     | A                               | 50/60          | 24            |

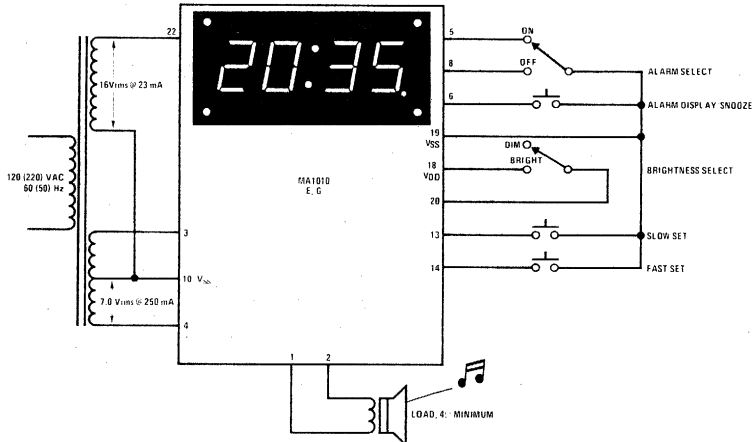
Note: For 50 Hz operation, connect pins 16 and 17.

applications information

FULL FEATURE CLOCK-RADIO

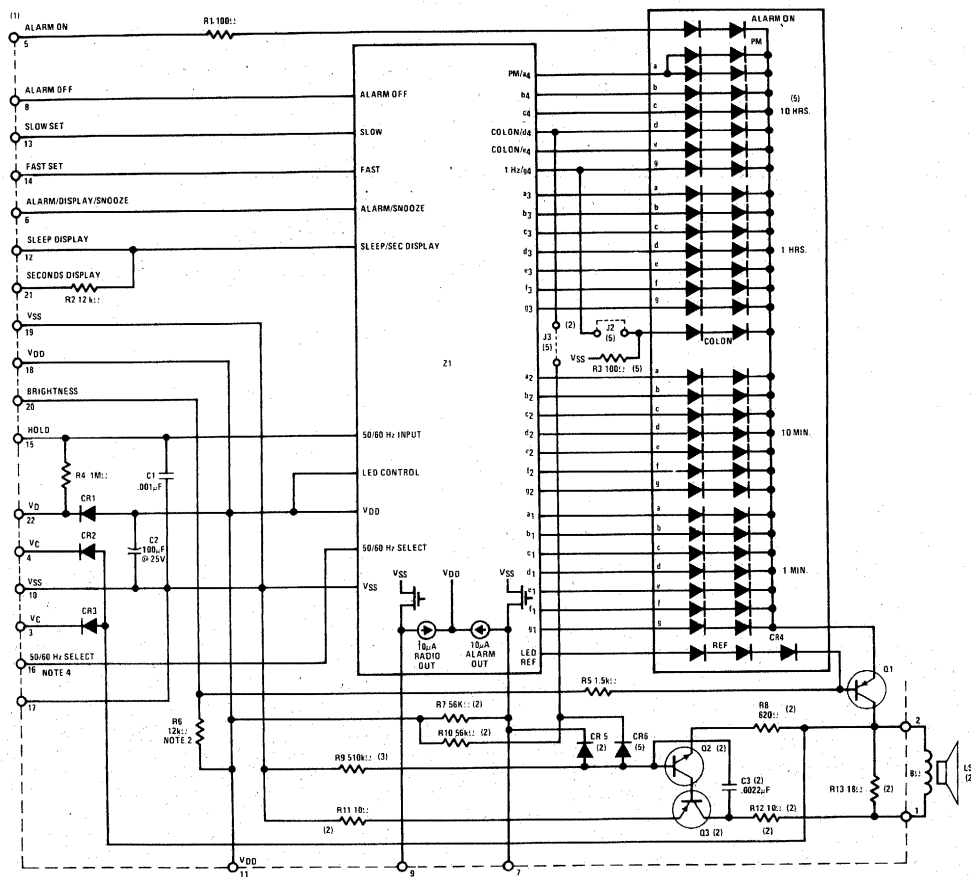


ALARM CLOCK



# schematic diagram

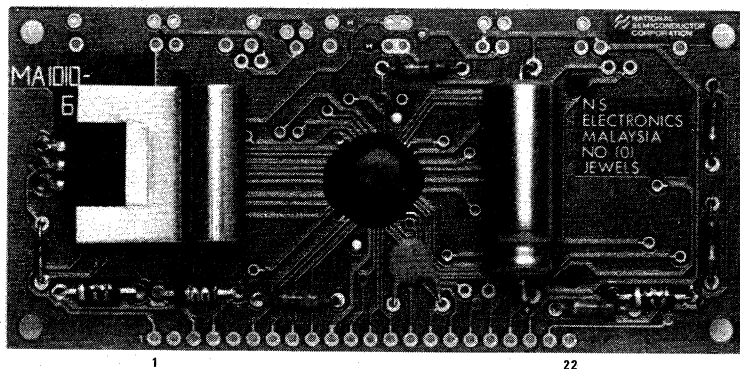
MA1010



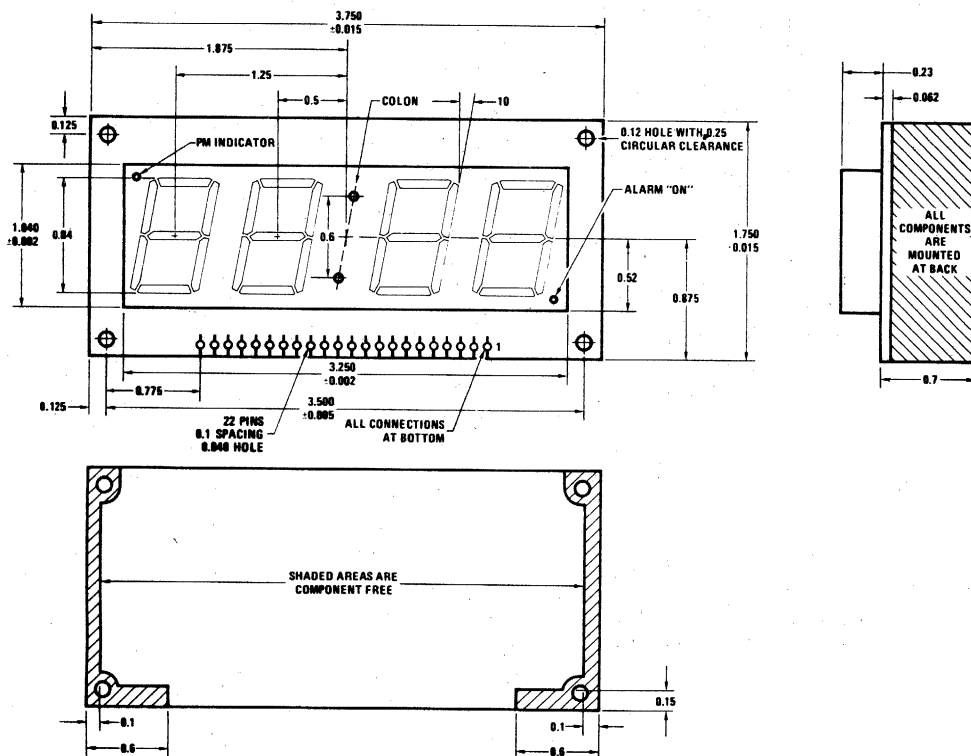
- Note 1:** Numbers denote fingers on the P.C. board.
- Note 2:** Not required for clock radio assembly. P/N MA1010 - A, C.
- Note 3:** Not required for alarm clock assembly. P/N MA1010 - E, G.
- Note 4:** For 50 Hz operation, connect pins 16 and 17.
- Note 5:** 12 hours - use "PM," "b," "c" LED only, Z1 to be MM4391; - use J2, do not use R3; MA1010 - A, E.  
 24 hours - use "a," "b," "c," "d," "e," "g" LED only, Z1 to be MM4392,  
 - Use R3, do not use J2, J3 or CR6; MA1010 - C, G.



component view



physical dimensions





## MA1012 LED display digital electronic clock module

### general description

The MA1012 Series Electronic Clock Modules combine a monolithic MOS-LSI integrated clock circuit, 4-digit 0.5" LED display, power supply and other associated discrete components on a single printed circuit board to form a complete electronic clock movement. The user need add only a transformer and switches to construct a pretested digital clock for application in clock-radios, alarm or instrument panel clocks. Timekeeping may be from 50 or 60 Hz inputs and 12 or 24 hour display formats may be chosen. Direct (non-multiplexed) LED drive eliminates RF interference. Time setting is made easy through use of "Fast" and "Slow" scanning controls.

Features include 150 mA radio supply switch, alarm output switch, alarm "on" and "PM" indicators, blinking colon, "sleep" and "snooze" timers and variable brightness control capability. Power failure is indicated by flashing the display at a 1 Hz rate.

### features

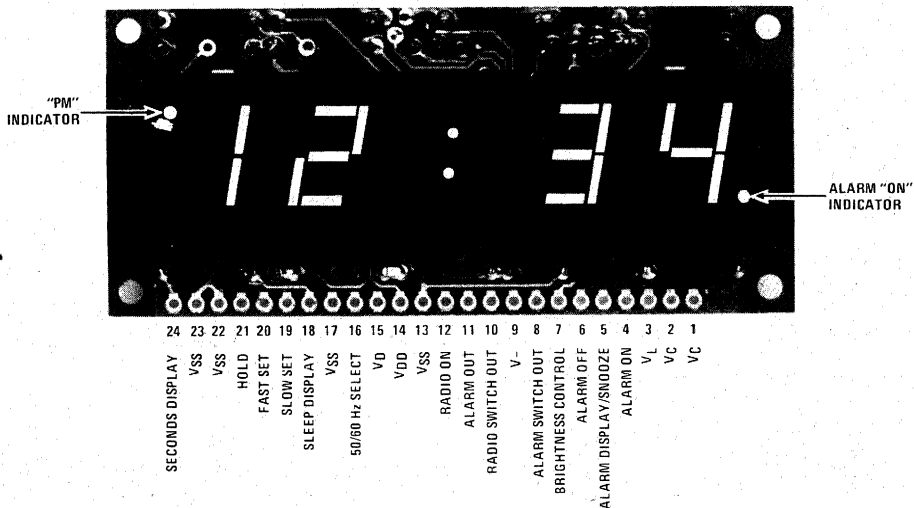
- Bright 4-digit 0.5" LED display
- Complete - add only transformer and switches

- 150 mA radio B+ switch
- Alarm output switch
- 12 or 24 hour display format
- 50 or 60 Hz operation
- Power failure indication
- Brightness control capability
- "Sleep" and "snooze" timers
- Alarm "on" and PM indicators
- Direct drive - no RFI
- Fast and slow set controls
- Low cost, extremely compact design

### applications

- Clock-radio timers
- Alarm clocks
- Desk clocks
- TV-stereo timers
- Instrument panel clocks/timers

### connection diagram



**absolute maximum ratings**

|  |                            |
|--|----------------------------|
| Voltage – Pins 15 to 13                  | 20 Vrms                    |
| Voltage – Pins 1, 2 to 13                | 7.0 Vrms                   |
| Voltage – Pins 9 to 13                   | +0.3 to -26V <sub>DC</sub> |
| Voltage – Pins 8, 10 to 9                | 30 V <sub>DC</sub>         |
| Operating Temperature Range              | -20°C to +60°C             |
| Storage Temperature Range                | -20°C to +70°C             |
| Lead Temperature (Soldering, 10 seconds) | 300°C                      |

**electrical characteristics**

T<sub>A</sub> = 25°C; Pins 15 to 13 = 16 Vrms; Pins 1, 2 to 13 = 5.0 Vrms, unless otherwise specified.  
 Normal operating conditions allow Pins 15 to 13 to vary between 14 and 18 Vrms; Pins 1, 2 to 13 to vary between 4.2 and 6.5 Vrms.

| PARAMETER           |                                  | CONDITIONS   | MIN | TYP | MAX | UNITS            |
|---------------------|----------------------------------|--|-----|-----|-----|------------------|
| V <sub>DD</sub>     | MOS Supply Voltage               | V <sub>SS</sub> = 0V                                 | -18 | -22 | -25 | V <sub>DC</sub>  |
| I <sub>15</sub>     | MOS Power Supply Current         | 100% Display Brightness                              |     | 14  | 18  | mA <sub>DC</sub> |
| I <sub>15</sub>     | MOS Power Supply Current         | Display Off  |     | 3   | 5   | mA <sub>DC</sub> |
|                     | LED Power Supply Current         | 100% Display Brightness<br>(20:08)                   |     | 250 | 280 | mA               |
| V <sub>DD</sub>     | Power Failure Indication Voltage | V <sub>SS</sub> = 0V                                 |     | -5  | -8  | V <sub>DC</sub>  |
|                     | LED Segment Display Current      | Short Pin 7 to Pin 14 (R = 0Ω)                       |     | 11  |     | mA               |
|                     |                                  | R = 12K  |     | 1.2 |     | mA               |
|                     |                                  | R = ∞  |     | 0.0 |     | mA               |
| V <sub>CE SAT</sub> | Radio Output                     | I <sub>C</sub> = 150 mA                              |     | 0.1 | 0.3 | V                |
| V <sub>CE SAT</sub> | Alarm Output                     | I <sub>C</sub> = 15 mA                               |     | 0.1 | 0.3 | V                |
|                     | Power Dissipation                | 100% Display Brightness<br>(20:08) Max Input Voltage |     |     | 2.3 | w                |

**optical characteristics**

| PARAMETER                      | CONDITIONS                                    | MIN | TYP | MAX        | UNITS   |
|--------------------------------|---|-----|-----|------------|---------|
| Luminous Intensity Per Segment | I = 11 mA <sub>DC</sub>                       | 100 | 300 |            | μcd     |
| Peak Wavelength                |   |     | 660 |            | nM      |
| Spectral Width                 | Half-Intensity                                |     | 40  |            | nM      |
| Viewing Angle                  | 1/2 Brightness Point                          | ±60 |     |            | degrees |
| Variation – Any Two Segments   | R = 0, Pins 7 to 14<br>R = 4.3K, Pins 7 to 14 |     |     | 2:1<br>2:1 |         |

**functional description**

**Display Modes**

The MA1012 provides four basic selectable display modes: These are summarized in Table I.

**Colon:** 12 hour display models (MA1012A, B,) are furnished with a colon display which flashes at a 1 Hz rate. (Fixed colon units are available on special order.)  
 24 hour display models (MA1012C, D) are furnished with fixed colons.

**Alarm "ON" Indicator:** Setting the alarm switch to "on" lights a dot in the lower right hand corner of the display.

**AM/PM Indicator:** PM time indication is given by a dot in the upper left hand corner of the display (12 hour models only). Indication applies for both time and alarm display modes.

**Power Failure Indication:** Power failure is indicated by the entire display flashing at a 1 Hz rate. Contact to either the FAST or SLOW time set control cancels this indication.

**Zero Blanking:** Zeroes appearing in the first digit are blanked in both 12 and 24 hour display models.

**Note:** Additional information concerning device operation may be found on the MM5385, MM5386 clock circuit data sheet.

**Control Functions**

Setting of Time, Alarm Time, Seconds and Sleep Timer registers is accomplished by selecting the appropriate display mode and simultaneously contacting one or both of the FAST and SLOW time setting switches. This is summarized in Table II.

## functional descriptions (con't)

**Alarm On/Off Switch:** The Alarm On/Off switch is an SPDT switch – the "ON" position lights the alarm set indicator; the "OFF" position disables the alarm output latch and silences the alarm. The alarm output will continue for 59 minutes unless cancelled by the Alarm On/Off switch or inhibited by the Alarm Display/Snooze button.

**Alarm Display/Snooze Button:** This momentary switch has four functions: displays the alarm time; enables setting of alarm time (in conjunction with fast or slow set switches); cancels the Sleep (Radio) output; and inhibits the alarm output for a period of between 8 and 9 minutes (Snooze function). The Snooze alarm feature may be used repeatedly during the 59 minute alarm enable period.

**Sleep Display/Timer Button:** A momentary contact displays the time remaining in the sleep register and enables programming the desired sleep time by simultaneously using the Fast or Slow buttons, as shown in Table II. The Sleep (Radio) output is latched on for the interval programmed, which may be up to 59 minutes. The Sleep output may be cancelled by momentarily contacting the Alarm Display/Snooze button. Resetting the time-of-day will decrement the Sleep Timer, which will not recycle past 00.

**Brightness Control:** Maximum display current is obtained by placing a short circuit between  $V_{DD}$  and the Brightness Control input. Insertion of a 10K potentiometer will reduce display brightness to a low level for night viewing, with an open circuit turning the display off completely. (Units with a fixed 12k brightness control resistor for use with an external SPST brightness control switch are available on special order.)

**Outputs**

**Sleep (Radio):** An NPN transistor controlled by the sleep timer. Both emitter and collector leads are available for use in switching a radio (or other appliance) power supply.

**Alarm:** An NPN transistor controlled by the alarm comparator and enable circuit. Both emitter and collector leads are available for switching an alarm circuit (or other circuit). If the emitter is returned to a source of 120 Hz ripple, such as a radio negative voltage supply, the collector may be coupled to an audio stage to produce a 120 Hz alarm tone.

### NOTE

Certain outputs of the MA1012 module are directly connected to MOS device inputs. Normal precautions taken for handling of MOS devices should be applied to the handling of this module.

TABLE I. MA1012 DISPLAY MODES

| *SELECTED DISPLAY MODE | DIGIT NO. 1           | DIGIT NO. 2 | DIGIT NO. 3     | DIGIT NO. 4 |
|------------------------|-----------------------|-------------|-----------------|-------------|
| Time Display           | 10's of Hours & AM/PM | Hours       | 10's of Minutes | Minutes     |
| Seconds Display        | Blanked               | Minutes     | 10's of Seconds | Seconds     |
| Alarm Display          | 10's of Hours & AM/PM | Hours       | 10's of Minutes | Minutes     |
| Sleep Display          | Blanked               | Blanked     | 10's of Minutes | Minutes     |

\*If more than one display mode input is applied, the display priorities are in the order of Sleep (overrides all others), Alarm, Seconds, Time (no other mode selected).

TABLE II. MA1012 CONTROL FUNCTIONS

| SELECTED DISPLAY MODE | CONTROL INPUT | CONTROL FUNCTION   |
|-----------------------|---------------|--|
| *Time                 | Slow          | Minutes Advance at 2 Hz Rate   |
|                       | Fast          | Minutes Advance at 60 Hz Rate  |
|                       | Both          | Minutes Advance at 60 Hz Rate  |
| Alarm/Snooze          | Slow          | Alarm Minutes Advance at 2 Hz Rate                                   |
|                       | Fast          | Alarm Minutes Advance at 60 Hz Rate                                  |
|                       | Both          | Alarm Resets to 12:00 AM (12 hour format)                            |
|                       | Both          | Alarm Resets to (0)0:00 (24 hour format)                             |
| Seconds               | Slow          | Input to Entire Time Counter is Inhibited (Hold)                     |
|                       | Fast          | Seconds and 10's of Seconds Reset to Zero Without a Carry to Minutes |
|                       | Both          | Time Resets to 12:00:00 AM (12-hour format)                          |
| Sleep                 | Both          | Time Resets to (0)0:00:00 (24-hour format)                           |
|                       | Slow          | Subtracts Count at 2 Hz  |
|                       | Fast          | Subtracts Count at 60 Hz   |
|                       | Both          | Subtracts Count at 60 Hz   |

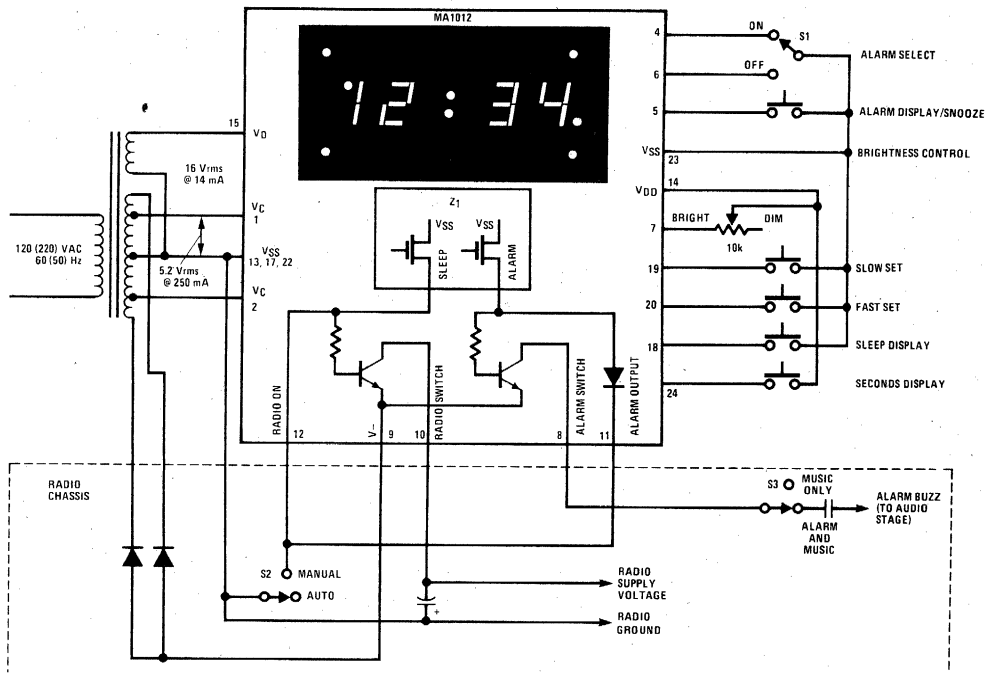
\*When setting time sleep minutes will decrement at rate of time counter, until the sleep counter reaches 00 minutes (sleep counter will not recycle).

module selection guide

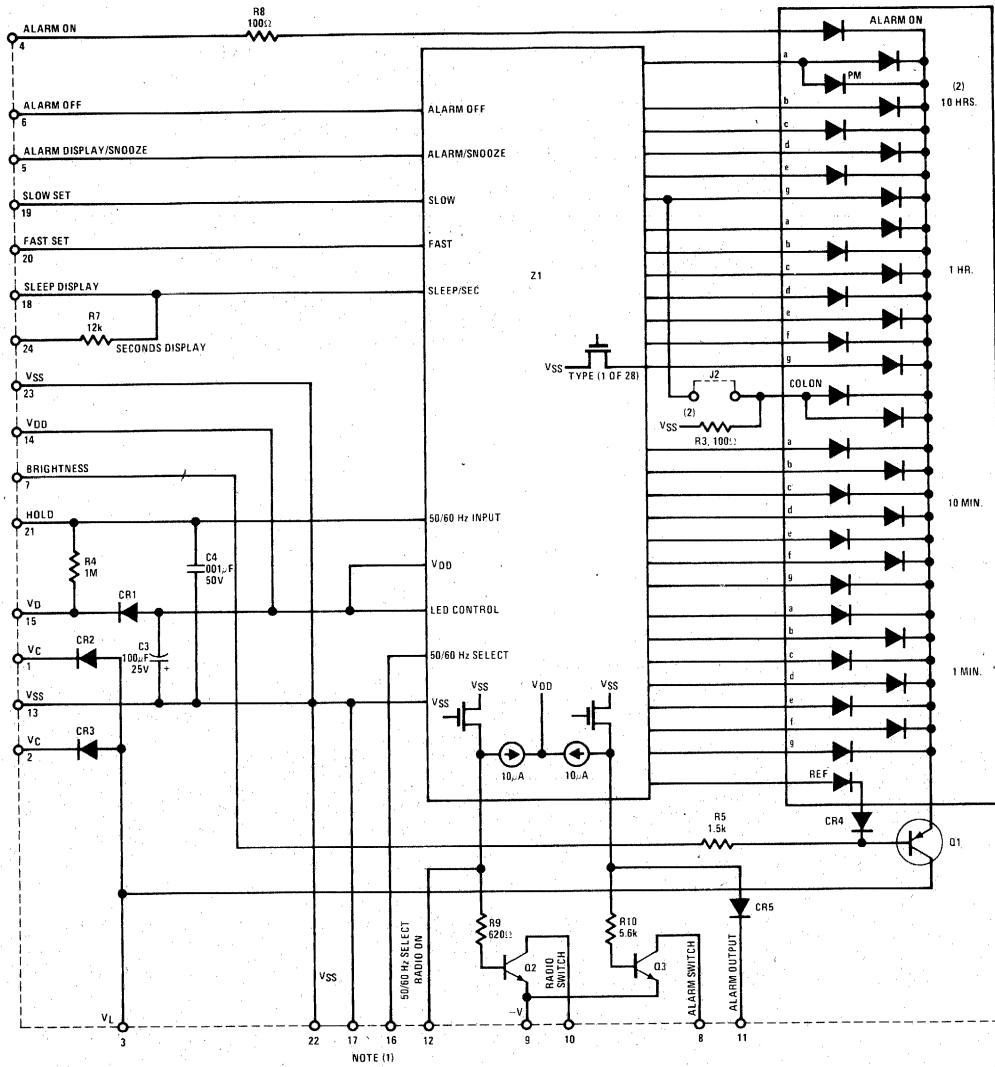
| PART NUMBER | LINE FREQUENCY | DISPLAY HOURS |
|-------------|----------------|---------------|
| MA1012A     | 50/60          | 12            |
| MA1012C     | 50/60          | 24            |

Note: For 50 Hz operation connect pins 16 and 17.

applications information



schematic diagram



Note 1: For 50 Hz operation, connect pins 16 and 17.

Note 2: For 12 hour display, use "PM," "b," "c" LED only (10 hour segment)

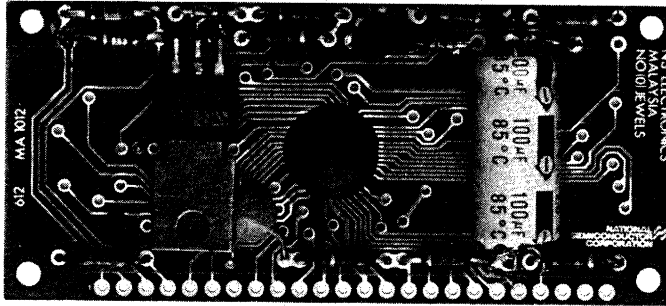
Z1 to be MM4391 (MA1012-A)

For 24 hour display, use "a," "b," "c," "d," "e," and "g," LED only (10 hour segment)

Use R3, do not use J2

Z1 to be MM4392 (MA1012-C)

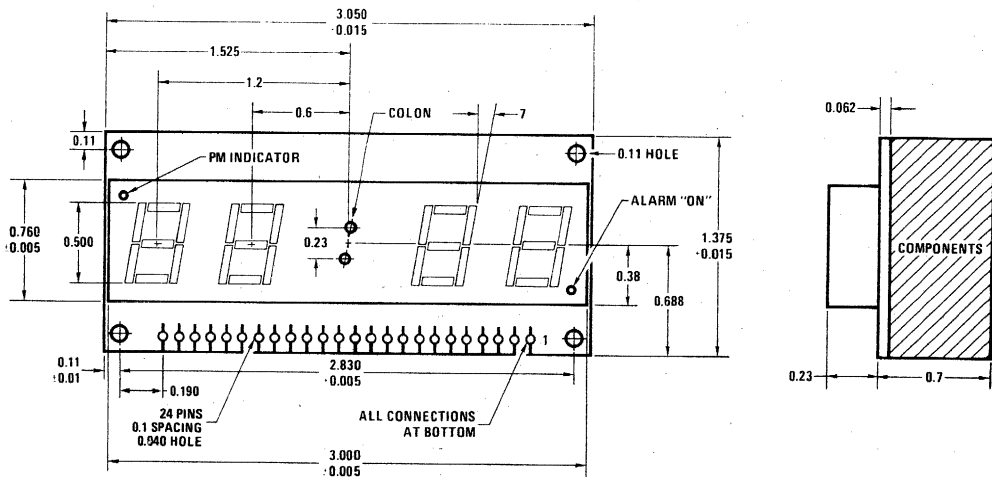
component side view



PIN 1

PIN 24

physical dimensions





## MA1013 LED display digital electronic clock module

### general description

The MA1013 Series Electronic Clock Modules combine a monolithic MOS-LSI integrated clock circuit, 4-digit 0.7" LED display, power supply and other associated discrete components on a single printed circuit board to form a complete electronic clock movement. The user need add only a transformer and switches to construct a pretested digital clock for application in clock-radios, alarm or instrument panel clocks. Timekeeping may be from 50 or 60 Hz inputs and 12 or 24 hour display formats may be chosen. Direct (non-multiplexed) LED drive eliminates RF interference. Time setting is made easy through use of "Fast" and "Slow" scanning controls.

Features include 150 mA radio supply switch, alarm output switch, alarm "on" and "PM" indicators, blinking colon, "sleep" and "snooze" timers and variable brightness control capability. Power failure is indicated by flashing the display at a 1 Hz rate.

The MA1013 is capable of directly replacing the MA1012, allowing upgrading to 0.7" display.

### features

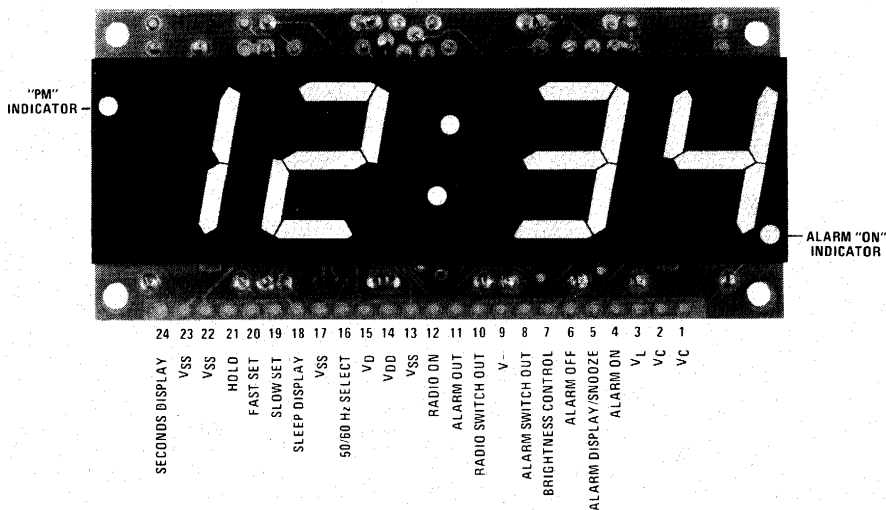
- Bright 4-digit 0.7" LED display
- Complete - add only transformer and switches

- 150 mA radio B+ switch
- Alarm output switch
- 12 or 24 hour display format
- 50 or 60 Hz operation
- Power failure indication
- Brightness control capability
- "Sleep" and "snooze" timers
- Alarm "on" and PM indicators
- Direct drive - no RFI
- Fast and slow set controls
- Low cost, extremely compact design
- Directly replaces MA1012

### applications

- Clock-radio timers
- Alarm clocks
- Desk clocks
- TV-stereo timers
- Instrument panel clocks/timers

### connection diagram





**absolute maximum ratings**

|  |                            |
|--|----------------------------|
| Voltage – Pins 15 to 13                  | 20 Vrms                    |
| Voltage – Pins 1, 2 to 13                | 7.0 Vrms                   |
| Voltage – Pins 9 to 13                   | +0.3 to -26V <sub>DC</sub> |
| Voltage – Pins 8, 10 to 9                | 30 V <sub>DC</sub>         |
| Operating Temperature Range              | -20°C to +60°C             |
| Storage Temperature Range                | -20°C to +70°C             |
| Lead Temperature (Soldering, 10 seconds) | 300°C                      |

**electrical characteristics**

T<sub>A</sub> = 25°C; Pins 15 to 13 = 16 Vrms; Pins 1, 2 to 13 = 5.0 Vrms, unless otherwise specified.

Normal operating conditions allow Pins 15 to 13 to vary between 14 and 18 Vrms; Pins 1, 2 to 13 to vary between 4.2 and 6.5 Vrms.

| PARAMETER           |                                  | CONDITIONS   | MIN | TYP | MAX | UNITS           |
|---------------------|----------------------------------|--|-----|-----|-----|-----------------|
| V <sub>DD</sub>     | MOS Supply Voltage               | V <sub>SS</sub> = 0V                                 | -18 | -22 | -25 | V <sub>DC</sub> |
| I <sub>15</sub>     | MOS Power Supply Current         | 100% Display Brightness                              |     | 14  | 18  | mADC            |
| I <sub>15</sub>     | MOS Power Supply Current         | Display Off  |     | 3   | 5   | mADC            |
|                     | LED Power Supply Current         | 100% Display Brightness<br>(20:08)                   |     | 250 | 280 | mA              |
| V <sub>DD</sub>     | Power Failure Indication Voltage | V <sub>SS</sub> = 0V                                 |     | -5  | -8  | V <sub>DC</sub> |
|                     | LED Segment Display Current      | Short Pin 7 to Pin 14 (R = 0Ω)                       |     | 11  |     | mA              |
|                     |                                  | R = 12K  |     | 1.2 |     | mA              |
|                     |                                  | R = ∞  |     | 0.0 |     | mA              |
| V <sub>CE</sub> SAT | Radio Output                     | I <sub>C</sub> = 150 mA                              |     | 0.1 | 0.3 | V               |
| V <sub>CE</sub> SAT | Alarm Output                     | I <sub>C</sub> = 15 mA                               |     | 0.1 | 0.3 | V               |
|                     | Power Dissipation                | 100% Display Brightness<br>(20:08) Max Input Voltage |     |     | 2.3 | w               |

**optical characteristics**

| PARAMETER                      | CONDITIONS                                    | MIN | TYP | MAX        | UNITS   |
|--------------------------------|---|-----|-----|------------|---------|
| Luminous Intensity Per Segment | I = 11 mADC                                   | 100 | 300 |            | μcd     |
| Peak Wavelength                |   |     | 660 |            | nM      |
| Spectral Width                 | Half-Intensity                                |     | 40  |            | nM      |
| Viewing Angle                  | 1/2 Brightness Point                          | ±60 |     |            | degrees |
| Variation – Any Two Segments   | R = 0, Pins 7 to 14<br>R = 4.3K, Pins 7 to 14 |     |     | 2:1<br>2:1 |         |

**functional description****Display Modes**

The MA1013 provides four basic selectable display modes: These are summarized in Table I.

**Colon:** 12 hour display models (MA1013A, B) are furnished with a colon display which flashes at a 1 Hz rate. (Fixed colon units are available on special order.) 24 hour display models (MA1013C, D) are furnished with fixed colons.

**Alarm "ON" Indicator:** Setting the alarm switch to "on" lights a dot in the lower right hand corner of the display.

**AM/PM Indicator:** PM time indication is given by a dot in the upper left hand corner of the display (12 hour models only). Indication applies for both time and alarm display modes.

**Power Failure Indication:** Power failure is indicated by the entire display flashing at a 1 Hz rate. Contact to either the FAST or SLOW time set control cancels this indication.

**Zero Blanking:** Zeroes appearing in the first digit are blanked in both 12 and 24 hour display models.

**Note:** Additional information concerning device operation may be found on the MM5385, MM5386 clock circuit data sheet.

**Control Functions**

Setting of Time, Alarm Time, Seconds and Sleep Timer registers is accomplished by selecting the appropriate display mode and simultaneously contacting one or both of the FAST and SLOW time setting switches. This is summarized in Table II.

## functional descriptions (con't)

**Alarm On/Off Switch:** The Alarm On/Off switch is an SPDT switch — the "ON" position lights the alarm set indicator; the "OFF" position disables the alarm output latch and silences the alarm. The alarm output will continue for 59 minutes unless cancelled by the Alarm On/Off switch or inhibited by the Alarm Display/Snooze button.

**Alarm Display/Snooze Button:** This momentary switch has four functions: displays the alarm time; enables setting of alarm time (in conjunction with fast or slow set switches); cancels the Sleep (Radio) output; and inhibits the alarm output for a period of between 8 and 9 minutes (Snooze function). The Snooze alarm feature may be used repeatedly during the 59 minute alarm enable period.

**Sleep Display/Timer Button:** A momentary contact displays the time remaining in the sleep register and enables programming the desired sleep time by simultaneously using the Fast or Slow buttons, as shown in Table II. The Sleep (Radio) output is latched on for the interval programmed, which may be up to 59 minutes. The Sleep output may be cancelled by momentarily contacting the Alarm Display/Snooze button. Resetting the time-of-day will decrement the Sleep Timer, which will not recycle past 00.

**Brightness Control:** Maximum display current is obtained by placing a short circuit between  $V_{DD}$  and the Brightness Control input. Insertion of a 10K potentiometer

will reduce display brightness to a low level for night viewing, with an open circuit turning the display off completely. (Units with a fixed 12K brightness control resistor for use with an external SPST brightness control switch are available on special order.)

### Outputs

**Sleep (Radio):** An NPN transistor controlled by the sleep timer. Both emitter and collector leads are available for use in switching a radio (or other appliance) power supply.

**Alarm:** An NPN transistor controlled by the alarm comparator and enable circuit. Both emitter and collector leads are available for switching an alarm circuit (or other circuit). If the emitter is returned to a source of 120 Hz ripple, such as a radio negative voltage supply, the collector may be coupled to an audio stage to produce a 120 Hz alarm tone.

### NOTE

Certain outputs of the MA1013 module are directly connected to MOS device inputs. Normal precautions taken for handling of MOS devices should be applied to the handling of this module.

TABLE I. MA1013 DISPLAY MODES

| *SELECTED DISPLAY MODE | DIGIT NO. 1           | DIGIT NO. 2 | DIGIT NO. 3     | DIGIT NO. 4 |
|------------------------|-----------------------|-------------|-----------------|-------------|
| Time Display           | 10's of Hours & AM/PM | Hours       | 10's of Minutes | Minutes     |
| Seconds Display        | Blanked               | Minutes     | 10's of Seconds | Seconds     |
| Alarm Display          | 10's of Hours & AM/PM | Hours       | 10's of Minutes | Minutes     |
| Sleep Display          | Blanked               | Blanked     | 10's of Minutes | Minutes     |

\*If more than one display mode input is applied, the display priorities are in the order of Sleep (overrides all others), Alarm, Seconds, Time (no other mode selected).

TABLE II. MA1013 CONTROL FUNCTIONS

| SELECTED DISPLAY MODE | CONTROL INPUT | CONTROL FUNCTION   |
|-----------------------|---------------|--|
| *Time                 | Slow          | Minutes Advance at 2 Hz Rate   |
|                       | Fast          | Minutes Advance at 60 Hz Rate  |
|                       | Both          | Minutes Advance at 60 Hz Rate  |
| Alarm/Snooze          | Slow          | Alarm Minutes Advance at 2 Hz Rate                                   |
|                       | Fast          | Alarm Minutes Advance at 60 Hz Rate                                  |
|                       | Both          | Alarm Resets to 12:00 AM (12 hour format)                            |
|                       | Both          | Alarm Resets to (0)0:00 (24 hour format)                             |
| Seconds               | Slow          | Input to Entire Time Counter is Inhibited (Hold)                     |
|                       | Fast          | Seconds and 10's of Seconds Reset to Zero Without a Carry to Minutes |
|                       | Both          | Time Resets to 12:00:00 AM (12-hour format)                          |
|                       | Both          | Time Resets to (0)0:00:00 (24-hour format)                           |
| Sleep                 | Slow          | Subtracts Count at 2 Hz  |
|                       | Fast          | Subtracts Count at 60 Hz   |
|                       | Both          | Subtracts Count at 60 Hz   |

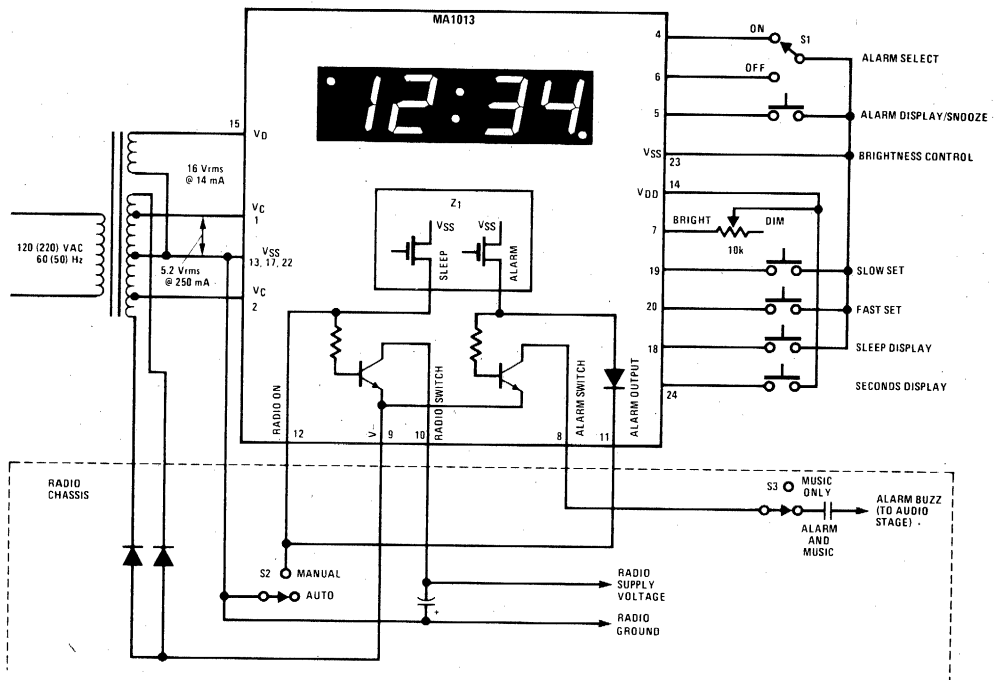
\*When setting time sleep minutes will decrement at rate of time counter, until the sleep counter reaches 00 minutes (sleep counter will not recycle).

module selection guide

| PART NUMBER | LINE FREQUENCY | DISPLAY HOURS |
|-------------|----------------|---------------|
| MA1013A     | 50/60          | 12            |
| MA1013C     | 50/60          | 24            |

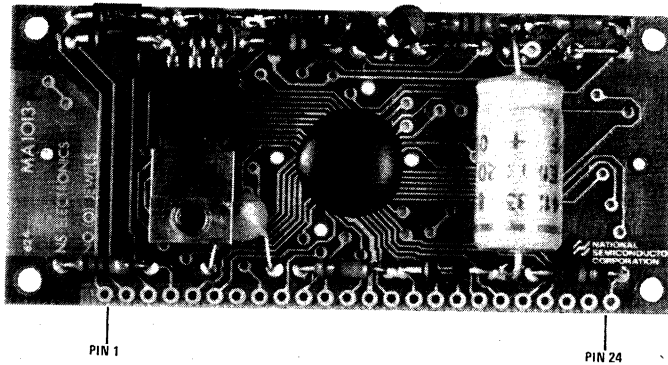
Note: For 50 Hz operation connect pins 16 and 17.

applications information

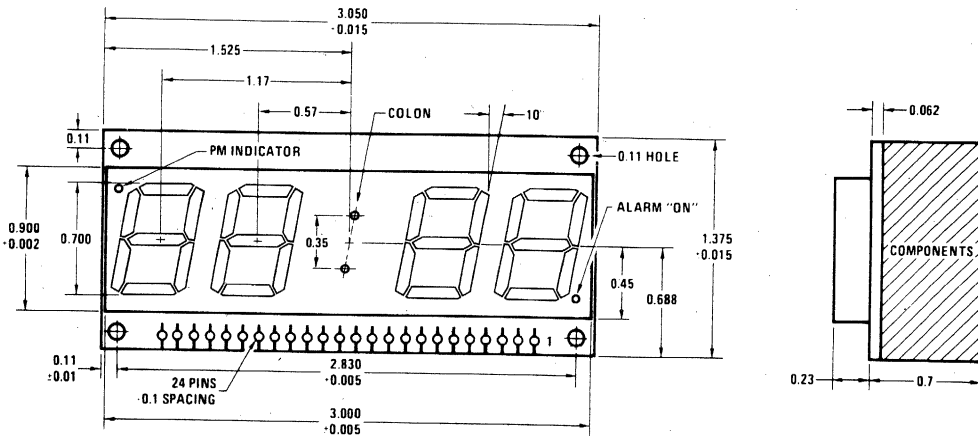


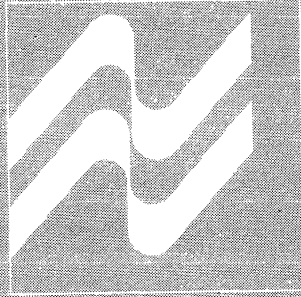


component side view



physical dimensions





**SECTION 14**  
**CUSTOM MOS/LSI**



### CUSTOM MOS AT NATIONAL

Custom design is creating a product to meet specific requirements. At National, we use our broad resources to produce a product which minimizes the system cost for the function the customer wants.

We have a choice of several cost-effective processes to meet the system needs.

- Metal gate P-channel ion implanted
- Metal gate N-channel ion implanted
- Metal gate CMOS

The advantages to developing a custom MOS/LSI integrated circuit are:

- Lower system cost
- Proprietary design—protected design
- Fewer components and greater packing density
- Simpler and cheaper power supplies

### WHEN IS CUSTOM MOS/LSI RIGHT?

When should a custom MOS/LSI circuit be developed for your application? It makes sense to go to a custom development when there is sufficient complexity and volume, so that the development cost can be justified. An approximate minimum quantity for this decision is about 20,000 units per year.

There are other reasons to go to a custom MOS/LSI design. Reduced circuit complexity can mean higher reliability because of fewer connections and reduced power dissipation. Greater packing density can make feasible a hand-held product as compared to a bench top product. A good example of this is the pocket calculator. National is an expert with this type of product realized with MOS/LSI!

### RESOURCES AT NATIONAL

National has the experience of system cost reduction using MOS/LSI. National's experience with calculators, watches and a vast array of standard semiconductors proves it.

Our design group is prepared to work with the customer at all levels to achieve an optimum design. We can help with the system partitioning, interface, logic design and, finally, we can implement the resultant product into a volume production design. Extensive design checking takes place to minimize development costs and schedules. Breadboards are used to check system function and interface. Extensive use of proven computer aided design (CAD) helps minimize errors in design and topology. Worst-case analysis is used to assure a design which meets the customer specification for temperature and production variations.

The design techniques used at National are the latest in the industry. High speed, low power dynamic logic is used where needed for competitive designs. Metal gate P-channel designs operate up to 2 MHz. This process is well suited for low cost random logic designs. Higher logic densities and operating speeds approaching 5 MHz can be achieved by using our new N-channel metal gate process.

A typical design flow is shown in *Figure 1*. Customer interface can occur in several places as indicated.

Complementary MOS (CMOS) technology is presently being used on many custom products. Structured logic, ROMs, RAMs, and registers, designed with CMOS cannot achieve the density of P-channel MOS. However, quiescent power and dissipations are less than 1  $\mu$ W per gate. Operation to 10 MHz can be achieved. One of the advantages of CMOS is that power dissipation is a function of frequency, with the dc (quiescent) state consuming the least power.

### QUALITY ASSURANCE

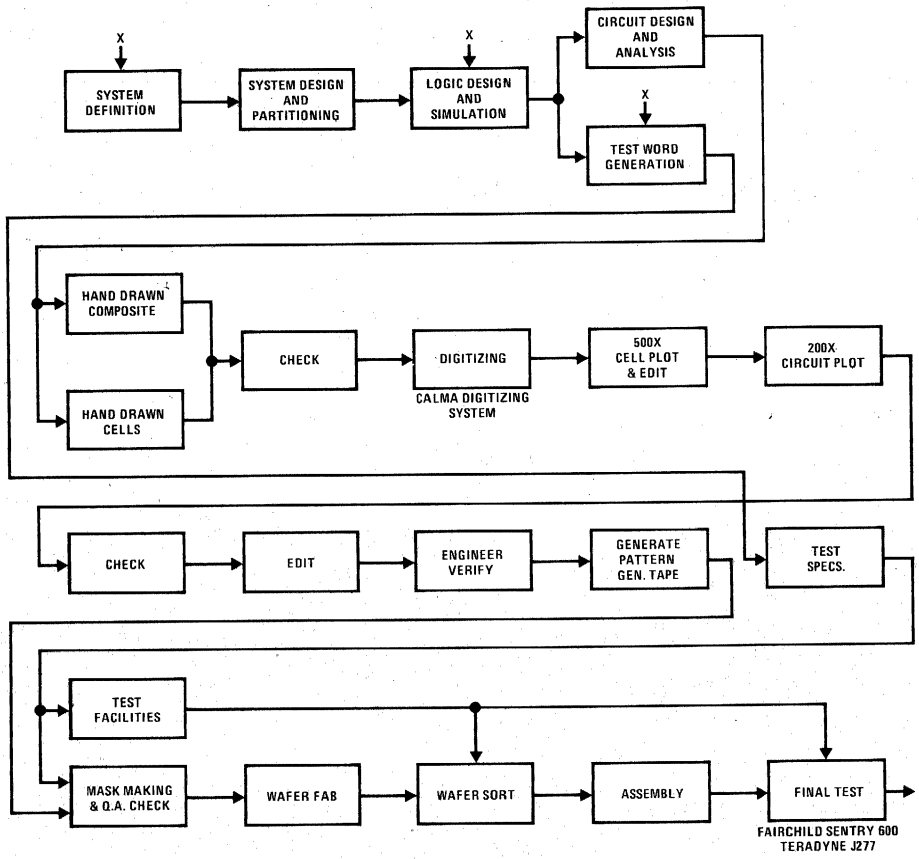
National's quality assurance department has a complete and comprehensive quality control program which effectively controls component parts and vendors at a quality level of functional, workmanship and dimensional criteria. The QA program also covers in-process controls of assembled devices, final electrical test, marking and final shipment of approved product. All procedures are documented at specification control and at respective quality inspection stations. Weekly and monthly reports are generated for quick feedback of information for corrective action purposes.

Complete testing is accomplished at sort and final test to a test specification generated by design engineering and a group of highly skilled test engineers. This test specification is designed to guarantee that the part meets or exceeds the customer device requirements over the temperature extremes.

On-line testers include Teradyne J283, J277, J193, Macrodata 230-2 LSI tester and Fairchild Sentry 600.

After fabrication, each wafer is checked for threshold voltage, breakdown voltage, oxide rupture and sheet resistivity. The wafer then goes into functional test. The logic on each die is thoroughly exercised. This 100% test of each wafer eliminates any functional defective die from being packaged.

After packaging, all devices are stressed to environmental extremes. The packaged devices are then returned for another functional test. Depending on the customer's requirement, packages can be tested under a variety of environmental conditions and can be subjected to a burn-in cycle. Full MIL-STD 883 processing is offered on all National custom and standard MOS devices.



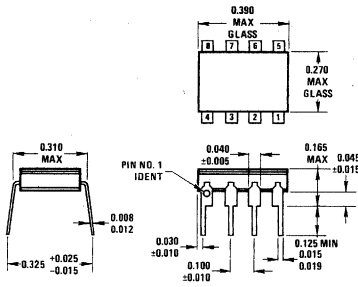
\* X = customer input

FIGURE 1. Custom MOS/LSI Product Flow Diagram

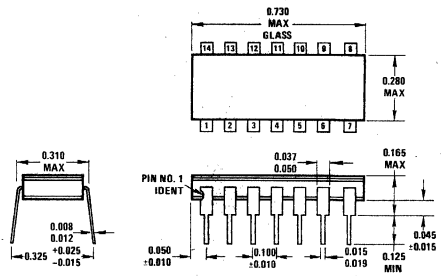




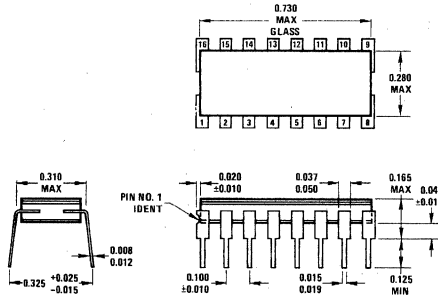




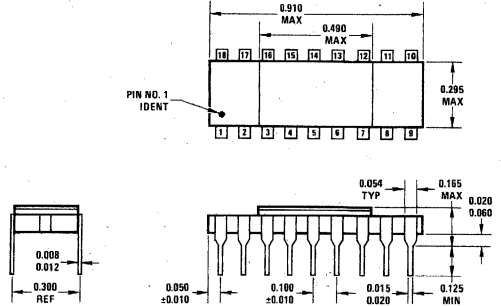
Package 1  
8-Lead Cavity DIP (D)



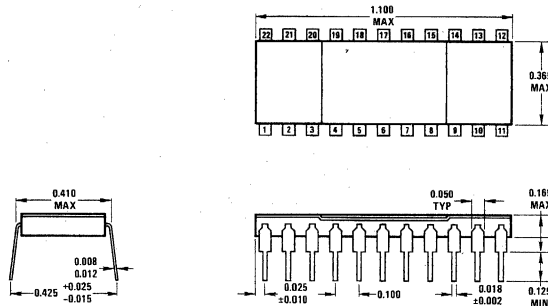
Package 2  
14-Lead Cavity DIP (D)



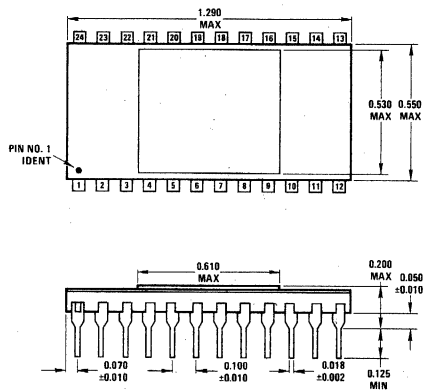
Package 3  
16-Lead Cavity DIP (D)



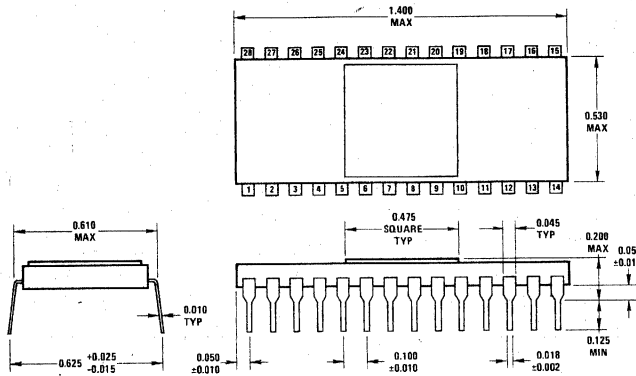
Package 4  
18-Lead Cavity DIP (D)



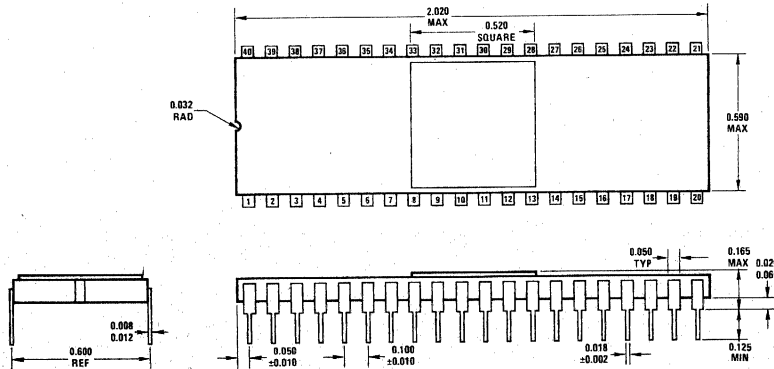
Package 5  
22-Lead Cavity DIP (D)



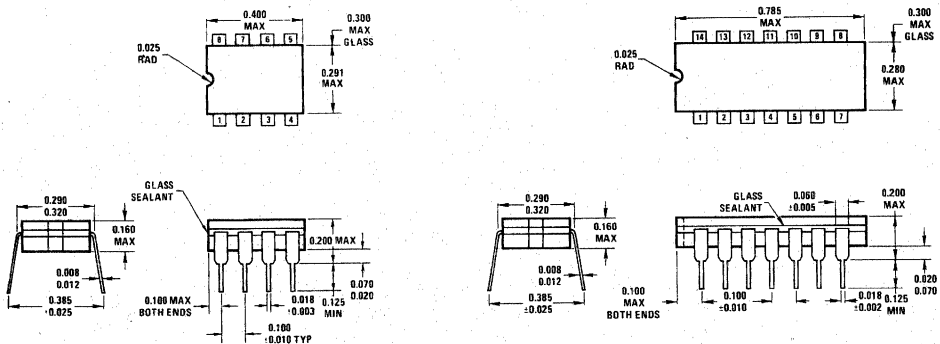
Package 6  
24-Lead Cavity DIP (D)



Package 7  
28-Lead Cavity DIP (D)



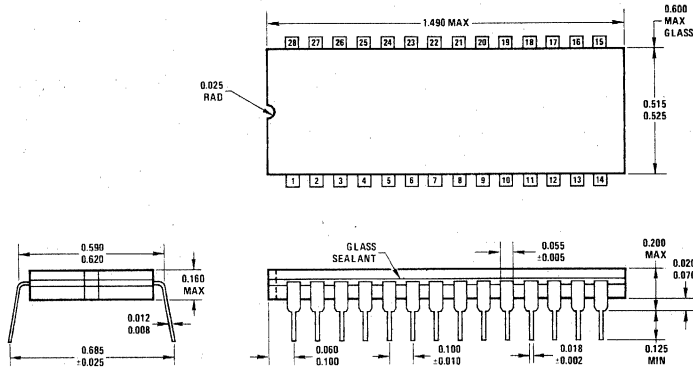
Package 8  
40-Lead Cavity DIP (D)



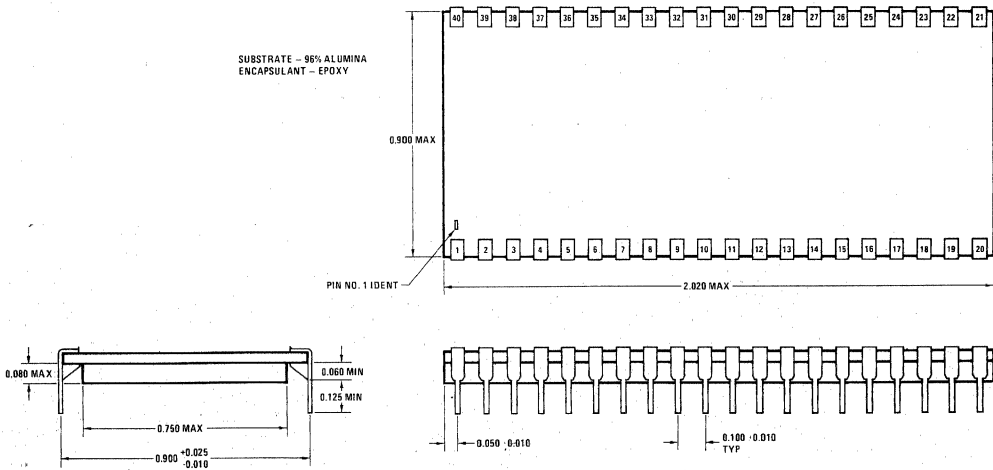
Package 9  
8-Lead Cavity DIP (J)

Package 10  
14-Lead Cavity DIP (J)

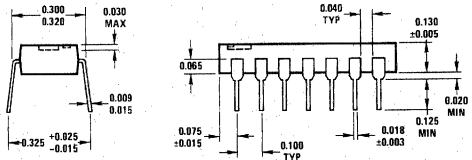
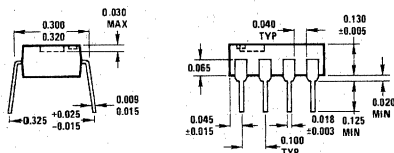
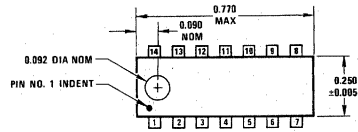
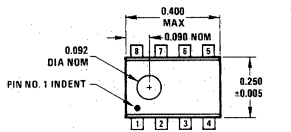




Package 15  
28-Lead Cavity DIP (J)

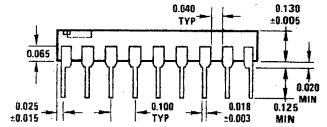
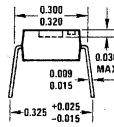
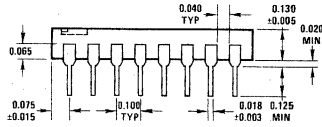
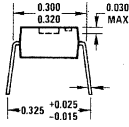
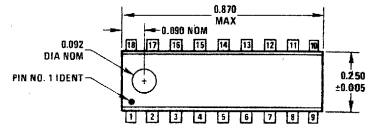
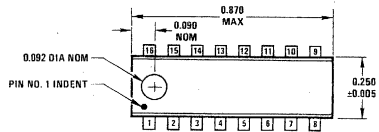


Package 16  
40-Lead Cavity DIP (J)



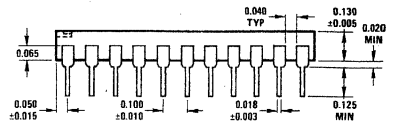
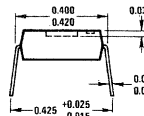
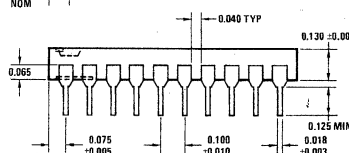
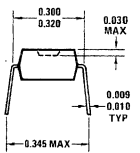
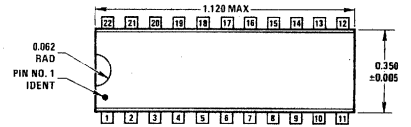
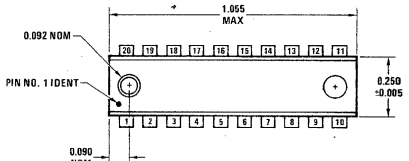
Package 17  
8-Lead Molded DIP (N)

Package 18  
14-Lead Molded DIP (N)



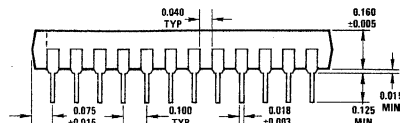
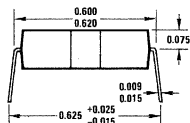
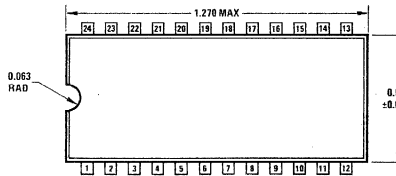
Package 19  
16-Lead Molded DIP (N)

Package 20  
18-Lead Molded DIP (N)

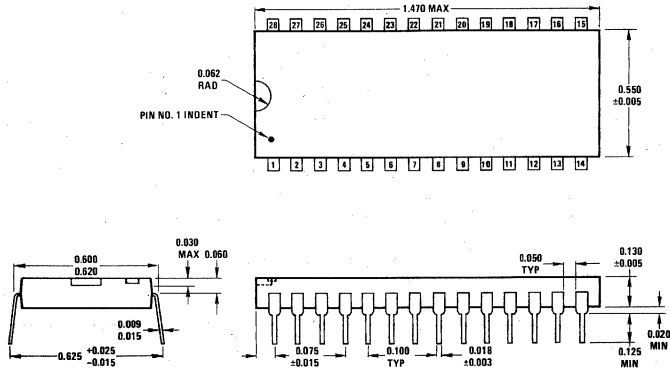


Package 20A  
20-Lead Molded DIP (N)

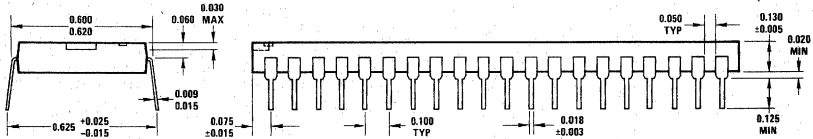
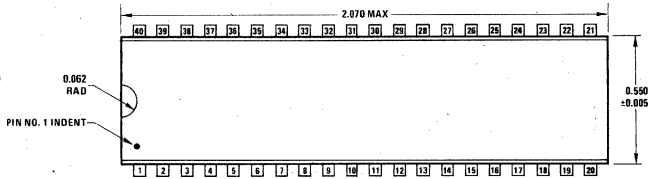
Package 21  
22-Lead Molded DIP (N)



Package 22  
24-Lead Molded DIP (N)



**Package 23**  
**28-Lead Molded DIP (N)**



**Package 24**  
**40-Lead Molded DIP (N)**

| INCHES TO MILLIMETERS CONVERSION TABLE |        |        |       |        |       |
|--|--------|--------|-------|--------|-------|
| INCHES                                 | MM     | INCHES | MM    | INCHES | MM    |
| 0.001                                  | 0.0254 | 0.010  | 0.254 | 0.100  | 2.54  |
| 0.002                                  | 0.0508 | 0.020  | 0.508 | 0.200  | 5.08  |
| 0.003                                  | 0.0762 | 0.030  | 0.762 | 0.300  | 7.62  |
| 0.004                                  | 0.1016 | 0.040  | 1.016 | 0.400  | 10.16 |
| 0.005                                  | 0.1270 | 0.050  | 1.270 | 0.500  | 12.70 |
| 0.006                                  | 0.1524 | 0.060  | 1.524 | 0.600  | 15.24 |
| 0.007                                  | 0.1778 | 0.070  | 1.778 | 0.700  | 17.78 |
| 0.008                                  | 0.2032 | 0.080  | 2.032 | 0.800  | 20.32 |
| 0.009                                  | 0.2286 | 0.090  | 2.286 | 0.900  | 22.86 |





## Definition of Terms

**Clock Repetition Rate:** The range of clock frequencies for which register operation is guaranteed.

**Clock Frequency  $\phi_f$ :** The range of clock frequencies which register operation is guaranteed. Maximum clock frequencies are dependent upon minimum and maximum clock pulse width restrictions, as presented by the Guaranteed Operating Curves.

**Clock Delay  $\phi_d$ :**  $\phi_d$  is defined to be that minimum amount of time that must expire after  $\phi_1$  has undergone a  $V_{\phi L}$  to  $V_{\phi H}$  transition and the start of a  $\phi_2$   $V_{\phi H}$  to  $V_{\phi L}$  transition. The same spacings apply, when  $\phi_2$  precedes  $\phi_1$ .

**Clock Phase Delay  $\phi_d, \bar{\phi}_d$ :** The time between the  $V_{\phi H}$  levels of  $\phi_{IN}$  and  $\phi_{OUT}$ .  $\phi_d$  is the time between the trailing edge of  $\phi_{IN}$  and the leading edge of  $\phi_{OUT}$ .  $\bar{\phi}_d$  is the time between the trailing edge of  $\phi_{OUT}$  and the leading edge of  $\phi_{IN}$ .

**Clock Pulse Risettime,  $t_{r\phi}$ :** The time delay between the 10% and 90% voltage points on the clock pulse as it traverses between its logic  $V_{\phi L}$  and logic  $V_{\phi H}$  levels.

**Clock Pulse Faltime,  $t_{f\phi}$ :** The time delay between the 10% to 90% voltage points on the clock pulse as it traverses between its logic  $V_{\phi H}$  and logic  $V_{\phi L}$  levels.

**Clock Pulse Width,  $\phi_{PW}$ :** The duration of time that the clock pulse is greater than 1.5V.

**Clock Input Levels:** The voltage levels (logic  $V_{\phi L}$  or  $V_{\phi H}$ ) which the clock driver must assume to insure proper device operation.

**Clock Control Setup Time,  $t_{CS}$ :** The time prior to the clock low-to-high transition at which the clock control must be at its desired logic level.

**Clock Control Hold Time,  $t_{CH}$ :** The time after the high-to-low transition for which the clock control must be held at its desired logic level.

**Data Setup Time,  $t_{dS}$ :** The time prior to the clock high-to-low transition at which the data input level must be present to guarantee being clocked into the register by that clock pulse.

**Data Pulse Width,  $t_{dW}$ :** The time during which the data pulse is in its  $V_{IH}$  or  $V_{IL}$  state.

**Data Hold Time,  $t_{dH}$ :** The time after the clock high-to-low transition which the data input level must be held to guarantee being clocked into the register by that clock pulse.

**Data Input Voltage Levels:** The voltage levels (logic  $V_{IL}$  or  $V_{IH}$ ) which the data input terminal must assume to insure proper logic inputs.

**Data Output Voltage Levels:** The output voltage levels (logic  $V_{OL}$  or  $V_{OH}$ ) which the output will assume under normal operating conditions.

**Data Input Capacitance:** The capacitance between the data input terminal and ground reference measured at 1 MHz.

**Output Resistance to Ground:** The resistance between the output terminal and ground with the output in the logic  $V_{OH}$  state.

**Partial Bit Times  $T_{IN}, T_{OUT}$ :** The time between leading edges of clocks, measured at the  $V_{\phi H}$  levels.  $T_{IN}$  is the time between the leading edge of  $\phi_{IN}$  and the leading edge of  $\phi_{OUT}$ .  $T_{OUT}$  is the time between the leading edge of  $\phi_{OUT}$  and the leading edge of  $\phi_{IN}$ .

**Output Sink Current:** The current which flows into the output terminal of the register when the output is a logical low level. Conventional current flow is assumed.

**Output Source Current:** The current which flows out of the output terminal of the register when the output is a logical high level. Conventional current flow is assumed.

**Output Voltage Levels:** The logical low level,  $V_{OL}$ , is the more negative level. This is the state in which the output is capable of sinking current. The logical high level,  $V_{OH}$ , is the more positive level. This is the state in which the output is capable of sourcing current.

**V<sub>GG</sub> Current Drain:** The average current flow out of the  $V_{GG}$  terminal of the package with the output open circuited.

**Power Supply Voltage,  $V_{GG}$ :** The negative power supply potential required for proper device operation; referenced to  $V_{SS}$ .

**Power Supply Return,  $V_{SS}$ :** The  $V_{SS}$  terminal is the reference point for the device. It must always be the most positive potential applied to the device.

**$V_{SS}$  Current Drain:** The average current flow into the  $V_{SS}$  terminal of the package. It is equal to the sum of the  $I_{GG}$  and  $I_{DD}$  currents.

**Power Supply Voltage,  $V_{DD}$ :** The negative power supply potential required for proper device operation, referenced to  $V_{SS}$ .

**Clock Input Voltage Levels,  $V_{\phi HV\phi L}$ :** The voltage levels (logic "1" or "0") which the clock driver must assume to insure proper device operation.

**Data Output Voltage Levels,  $V_{OH}, V_{OL}$ :** The output voltage levels (logic "1" or "0") which the output will assume with a specified load connected between output and  $V_{SS}$  line.

**Data Input Voltage Levels,  $V_{IH}V_{IL}$ :** The voltage levels (logic "1" or "0") which the data input terminal must assume to insure proper logic inputs.

**Control Release Time,  $t_{CR}$ :** The maximum time that a load command signal can be changed prior to the  $V_{\phi L}$  to  $V_{\phi H}$  transition of the output clock,  $\phi_{OUT}$ , without affecting the data during bit time  $t_{\eta}$ .

**Control Initiate Window:** The time in which a load command signal must be applied to affect bit time  $t_{\eta}$ . This time extends from the start of  $t_{CR}$  to the start of  $t_{CS}$ .

**Control Hold Time:** The time that the load command signal must remain stable during  $t_{\eta}$  bit time. See control timing diagram.



**National Semiconductor Corporation**  
2900 Semiconductor Drive  
Santa Clara, California 95051  
(408) 737-5000  
TWX: 910-339-9240

**National Semiconductor GmbH**  
808 Fuerstenfeldbruck  
Industriestrasse 10  
West Germany  
Telephone: (08141) 1371  
Telex: 05-27649

**NS Electronics (HK) Ltd.**  
4 Hing Yip Street, 11th Floor  
Kwun Tong  
Kowloon, Hong Kong  
Telephone: 3-411241-8  
Telex: 73866 NSE HK HX

**NS International Inc.**  
Miyake Bldg. 6F, 1-9 Yotsuya  
Shinjuku-Ku  
Tokyo 160, Japan  
Telephone: 03-355-3711  
Telex: J28592

**NS Electronics Pty. Ltd.**  
CNR-Stud Road & Mountain Highway  
Bayswater, Victoria 3153, Australia  
Telephone: 03-729-6333  
Telex: 32096