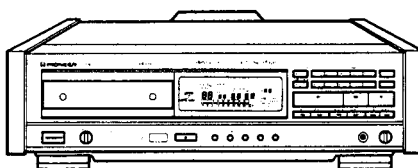


Service Manual



**ORDER NO.
ARP 1507**

COMPACT DISC PLAYER

PD-91

MODEL PD-91 HAS TWO VERSIONS:

Type	Power requirement	Export destination
KU/CA	AC 120 V only	U.S.A. and Canada
HEM	AC 220 V, 240 V (switchable)	European continent

- This manual is applicable to the KU/CA and HEM types.
- For the HEM type, refer to pages 133 and 134.
- Ce manuel pour le service comprend les explications en français de réglage. (p. 59 - p. 73).
- Este manual de servicio trata del método ajuste escrito en español. (p. 74 - p. 88).

CONTENTS

1. SAFETY INFORMATION.....	2	10. ADJUSTMENTS.....	44
2. SPECIFICATIONS	4	RÉGLAGE	59
3. PANEL FACILITIES.....	5	AJUSTE.....	74
4. DISASSEMBLY.....	11	11. BLOCK DIAGRAM.....	89
5. EXPLODED VIEWS AND PARTS LIST	14	12. PICK-UP DESCRIPTION.....	91
6. P.C. BOARDS CONNECTION DIAGRAM	29	13. CIRCUIT DESCRIPTION.....	94
7. SCHEMATIC DIAGRAM.....	33	14. MECHANISM DESCRIPTION.....	121
8. ELECTRICAL PARTS LIST.....	39	15. IC INFORMATION.....	125
9. PACKING	43	16. FOR HEM TYPE.....	133

1. SAFETY INFORMATION

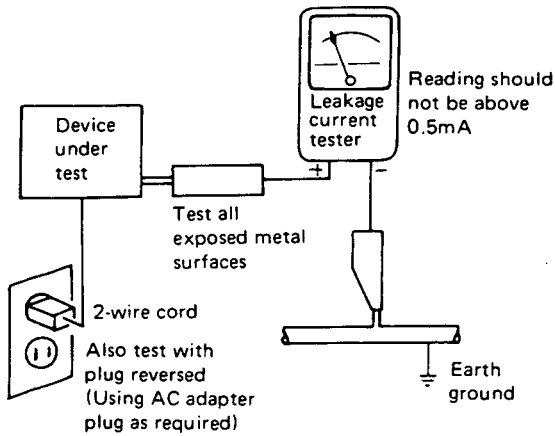
(FOR USA MODEL ONLY)

1. SAFETY PRECAUTIONS

The following check should be performed for the continued protection of the customer and service technician.

LEAKAGE CURRENT CHECK

Measure leakage current to a known earth ground (water pipe, conduit, etc.) by connecting a leakage current tester such as Simpson Model 229-2 or equivalent between the earth ground and all exposed metal parts of the appliance (input/output terminals, screwheads, metal overlays, control shaft, etc.). Plug the AC line cord of the appliance directly into a 120V AC 60Hz outlet and turn the AC power switch on. Any current measured must not exceed 0.5mA.



AC Leakage Test

ANY MEASUREMENTS NOT WITHIN THE LIMITS OUTLINED ABOVE ARE INDICATIVE OF A POTENTIAL SHOCK HAZARD AND MUST BE CORRECTED BEFORE RETURNING THE APPLIANCE TO THE CUSTOMER.

2. PRODUCT SAFETY NOTICE

Many electrical and mechanical parts in the appliance have special safety related characteristics. These are often not evident from visual inspection nor the protection afforded by them necessarily can be obtained by using replacement components rated for voltage, wattage, etc. Replacement parts which have these special safety characteristics are identified in this Service Manual.

Electrical components having such features are identified by marking with a Δ on the schematics and on the parts list in this Service Manual.

The use of a substitute replacement component which does not have the same safety characteristics as the PIONEER recommended replacement one, shown in the parts list in this Service Manual, may create shock, fire, or other hazards.

Product Safety is continuously under review and new instructions are issued from time to time. For the latest information, always consult the current PIONEER Service Manual. A subscription to, or additional copies of, PIONEER Service Manual may be obtained at a nominal charge from PIONEER.

(FOR EUROPEAN MODEL ONLY)

VAROITUS!

LAITE SISÄLTÄÄ LASERDIODIN, JOKA LÄHETTÄÄ NÄKYMÄTÖNTÄ, SILMILLE VAARALLISTA INFRAPUNASÄTEILYÄ LAITTEEN SISÄLLÄ ON LASERDIODIN LÄHEISYYDESSÄ KUVAN, 1. MUKAINEN VAROITUSMERKKI.



LASER
Kuva 1
Lasersäteilyn
varoituserkki

WARNING!

DEVICE INCLUDES LASER DIODE WHICH EMITS INVISIBLE INFRARED RADIATION WHICH IS DANGEROUS TO EYES. THERE IS A WARNING SIGN ACCORDING TO PICTURE 1 INSIDE THE DEVICE CLOSE TO THE LASER DIODE.



LASER
Picture 1
Warning sign for
laser radiation

ADVERSEL:

USYNLIG LASERSTRÅLING VED ÅBNING NÅR SIKKERHEDSAFBRYDERE ER UDE AF FUNKTION UNGDÅ UDSÆTTELSE FOR STRÅLING.

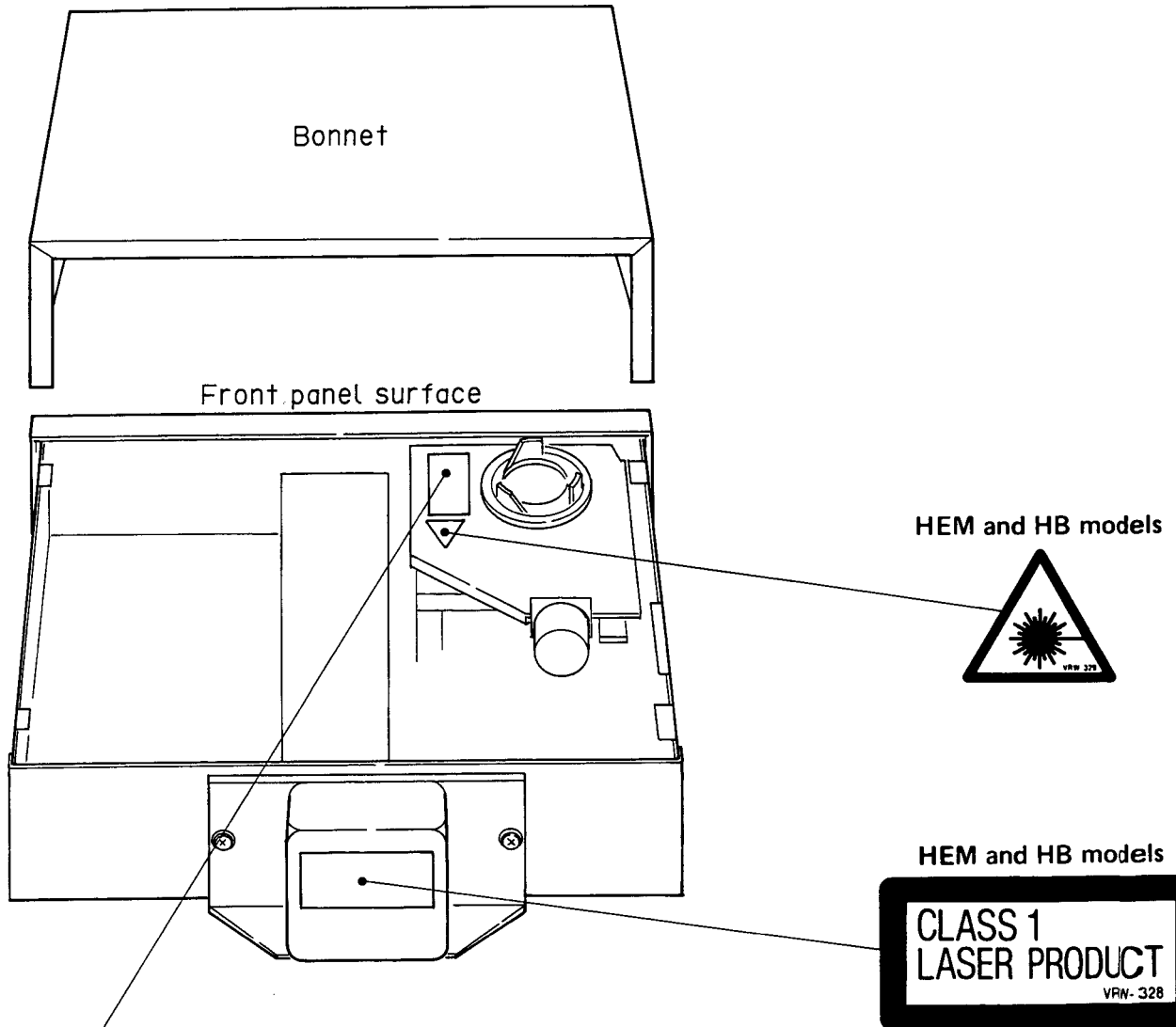
VIKTIGT

APARATEN INNEHÅLLER LASER AV HÖGRE KLASS ÄN 1. INGREPP I APPARATEN BÖR GÖRAS AV SPECIELLT UTBILDAD PERSONAL.

IMPORTANT

PIONEER COMPACT DISC PLAYER APPARATUS CONTAINS LASER OF HIGHER CLASS THAN 1. SERVICING OPERATION OF THE APPARATUS SHOULD BE DONE BY A SPECIALLY INSTRUCTED PERSON.

LABEL CHECK



HB model

CAUTION
INVISIBLE LASER
RADIATION WHEN OPEN,
AVOID EXPOSURE
TO BEAM PRW1018

HEM model

CAUTION
 LASER RADIATION WHEN OPEN. AVOID EXPOSURE TO BEAM
 ADVARSEL
 FARE FOR USYNLIG LASERSTRÅLING VED ÅBNING AF DÆKSEL
 UNDGÅ AT UDSÆTTE ØJENE FOR STRÅLING.
 VORSICHT!
 UNSICHTBARE LASER-STRÅLUNG TRITT AUS, WENN DECKEL
 (ODER KLAPPE) GEÖFFNET IST! NICHT DEM STRAHL AUSSETZEN!
 PRW-175

ADDITIONAL LASER PRECAUTIONS

- 1. Laser Interlock Mechanism**
 The clamp switch (S1305) detects the completion of the Load in operation, and the ON/OFF status of the clamp switch is in turn detected by the microcomputer. The laser diode is designed not to oscillate while the clamp switch is in OFF status. Consequently, if S1305 is accidentally short-circuited, the interlock mechanism will become incapable of operation.
 Moreover, when short-circuiting occurs between Pins 4 or 5 of CXA1081S (IC 301) and GND, or between Pin 29 of CXA1081S (IC 301) and GND, or between the terminals of Q 304 (a Fault Condition will occur in all three cases), the laser diode will oscillate continuously.
 Note that during TEST Mode (see page 44), the interlock mechanism does not operate.
- 2. While the bonnet is in opened status, if while the bonnet is open, the pickup is positioned so that clamp base aperture and the exterior of the objective lens are visible and the clamp base is subsequently removed, the pickup can be flooded with radiation of more than class 1 of the laser optical system during any Fault Condition in Item 1 above or during TEST Mode.**

2. SPECIFICATIONS

1. General

Type Compact disc digital audio system
 Usable discs Compact Disc
 Signal format Sampling frequency: 44.1 kHz
 Quantized bit number: 16 bit linear
 D/A conversion 18 bit
 Power requirements
 European models AC 220 V, 50/60 Hz
 U.S., Canadian models AC 120 V, 60 Hz
 Power consumption 29 W
 Operating temperature +5°C - +35°C
 (+41°F - +95°F)
 Weight 11.7 kg (25 lb, 13 oz)
 External dimensions
 458(W) x 425(D) x 129(H) mm
 18-1/16(W) x 16-13/16(D) x 5-3/32(H) in

2. Audio section

Frequency response 2 Hz - 20 kHz (± 0.3 dB)
 Signal-to-noise ratio 114 dB or more (EIAJ)
 Dynamic range 99 dB or more (EIAJ)
 Channel separation 109 dB or more (EIAJ)
 Total harmonic distortion 0.0015% or less (EIAJ)
 Output voltage 2.0 V \pm 0.5 V (EIAJ)
 Wow and flutter Limit of measurement
 ($\pm 0.001\%$ W.PEAK) or less (EIAJ)
 Number of channels 2 channels (stereo)
 Digital output Coaxial output: 0.5 Vp-p (75 Ω)
 Optical output: -15 dBm to -20 dBm
 (wavelength 660 nm)

3. Output terminal

Optical digital output terminal
 Coaxial digital output terminal
 Audio line output terminal
 Headphone jack (with volume control)

4. Functions

- Play
- Pause
- Manual search
- Track search
- Index search
- Direct track search
- All track repeat
- Programmed repeat
- Programmed playback
- Pause program
- Add-on program
- Auto program editing
- Time fade editing
- Music Window (remote control)
- One touch fade (remote control)
- Fade time variation
- Random play
- Programmed random play
- Auto space
- Memory backup
- Timer start
- Random timer start
- Program timer start

5. Accessories


- Remote control unit 1
- Size AAA/R03 dry cell batteries 2
- Output cable 1
- Operating instructions 1

NOTE:

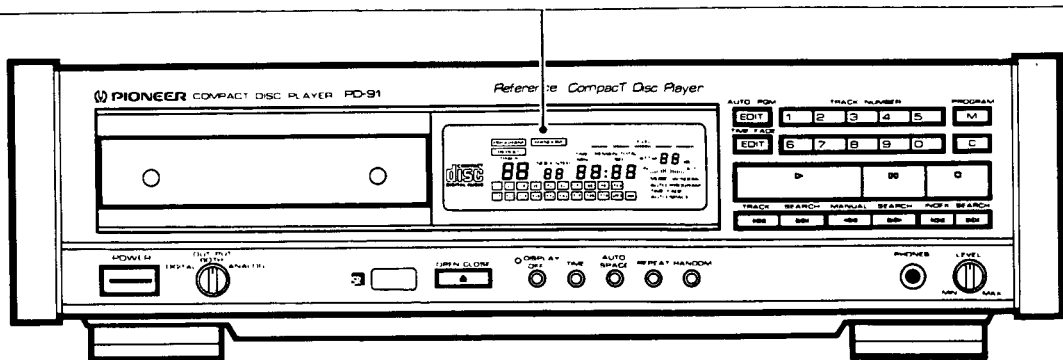
Specifications and design subject to possible modifications without notice, due to improvement.

3. PANEL FACILITIES

FRONT PANEL

Indicators		MIN	: Displays the playback time or remaining time in minutes.
PROGRAM	: Lights after programming (after program has been memorized).	SEC	: Displays the playback time or remaining time in seconds.
REPEAT	: Lights during repeat play.		Also, the auto space operation time (in seconds) and the fade-in and fade-out setting times (in seconds) are displayed.
RANDOM	: Lights during random playing.	MUSIC WINDOW	: Lights when a Music Window has been programmed.
TIME/REMAIN/TOTAL	: Changes each time the TIME key is pressed.	IN (IN.....)	: Lights when the Music Window program starts or during fade-in.
● TIME	: Displays the track number of the track being played, the index*1 number, and the playback time (minutes and seconds).	OUT (.....OUT)	: Lights when the Music Window program ends or during fade-out.
● REMAIN	: Indicates the time remaining on the track being played. When the TIME key is pressed again, the time remaining on the disc will be displayed.	LEVEL	: Displays the volume during fade-in and fade-out.
● TOTAL	: Displays the total number of tracks on one disc (TRACK) and the overall playback time (MIN, SEC).	ATT	: Displays the volume decrease (-dB) of fade-in and fade-out.
	Programmed playback operation, displays the remaining playback time of the programmed tracks (REMAIN), and the total playback time (TOTAL).	INDEX	: Displays the index*1 number of the music section of a track or the track division.
TRACK	: Indicates current track number, and track numbers within program. The lower figures light up in accordance with the number of tracks recorded on the disc, and the numbers of the tracks which have been played extinguish in order. (During programmed playback only the programmed tracks light.) Above number 21 the  mark lights.	STEP	: Displays the program steps.
		AUTO PROGRAM	: Displayed when Auto Program Editing is set or operated.
		TIME FADE	: Displayed when Time Fade Editing is set or operated.
		AUTO SPACE	: Lights during auto space playback.

*1 The INDEX is a signal which is recorded within a track, to indicate division of the track into separate tunes and items of music.



OPEN/CLOSE key

Press when you wish to eject or load a disc. Each time the key is pressed, the tray is alternately pushed out or pulled in.

Disc Tray

This is where the disc is set. When power is switched ON and the OPEN/CLOSE key is pressed, the tray is ejected forward.

To insert the tray, press the OPEN/CLOSE key, or lightly push the tray in with your finger. During play operation, pressing the PLAY key causes the tray to be inserted automatically.

STOP key (□)

Press to stop playback. When pressed, the player goes into stop mode and all operations stop.

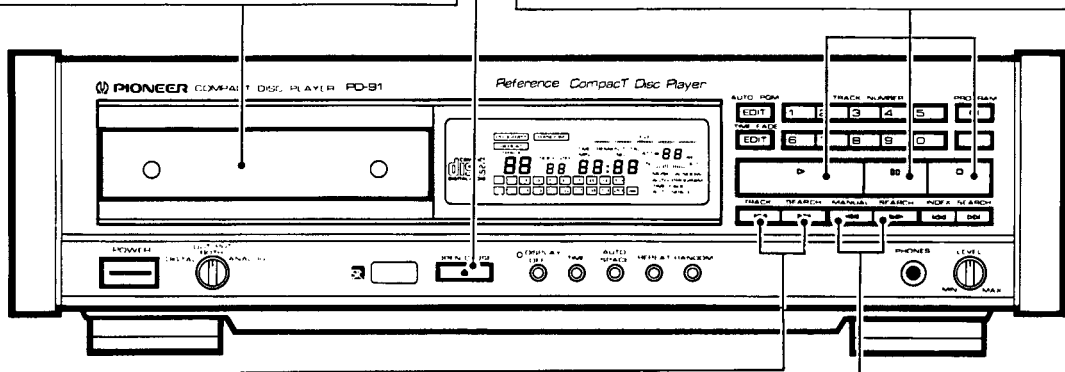
Press to clear a program. When pressed during stop mode, the program stored in memory is cleared.

PAUSE key (⏸)/Indicator

Press to temporarily interrupt playback. When pressed again, the pause mode is cancelled and playback resumes.

PLAY key (▶)/Indicator

Press to begin playback, and to cancel the pause mode.



TRACK SEARCH keys

When the player is in the normal play, (or during programmed or Music Window playback) or pause modes, these keys are pressed to search for a desired track. Pressing either key causes the player to advance to the next track, or return to the previous track. The keys can also be used to check the contents of a program during program entry (but only when the player is stopped).

[▶▶] : When pressed once, the disc playback advances to the beginning of the next track on the disc; when pressed continuously, the disc playback moves to the beginning of succeeding tracks on the disc. (During programmed playback, it moves to the beginning of the next programmed track.) During Music Window playback, the player advances to the beginning of the next programmed window.

[◀◀] : When pressed once, the disc playback returns to the beginning of the currently playing track; when pressed continuously, the disc playback moves further in reverse to the beginning of previous tracks on the disc. (During programmed playback it returns to the beginning of the previously programmed track.) During Music Window playback, it returns to the beginning of the previously programmed window.

MANUAL SEARCH keys

When the player is in play or pause modes, these keys are pressed to perform fast forward or fast backward operations, to allow manual searching. These operations are only carried out during the time either key is pressed.

[▶▶] : Fast forward operation (If fast forward operation is performed to the end of the disc, "End" will be displayed and the player will enter pause mode.)

[◀◀] : Fast backward operation (If fast backward operation is performed to the beginning of the disc, the player will enter play mode.)

● For programmed playback, when the forward search reaches the next track, it will enter the pause mode. When it reaches the beginning of the track in backward search, the player will enter the playback mode.

REPEAT key

Press to perform repeat playback

- If pressed during normal playback mode, all tracks on the disc will be repeatedly played back.
- If pressed during programmed playback, the programmed tracks will be repeatedly played back in the programmed order.
- When all the tracks have been played at random during random play, the same tracks will be played again in a new pattern.

TIME key

- Use to select the method for displaying the playing time on the indicator panel. Each time the key is pressed, the indication changes from TIME, REMAIN, to TOTAL in that order. (For details concerning the display contents, refer to the explanation about the indicators.)
- If pressed after pressing the TRACK NO. key, the playback time of the selected track only is displayed.

PROGRAM key (PROGRAM MEMORY)

Used to program a sequence of tracks.

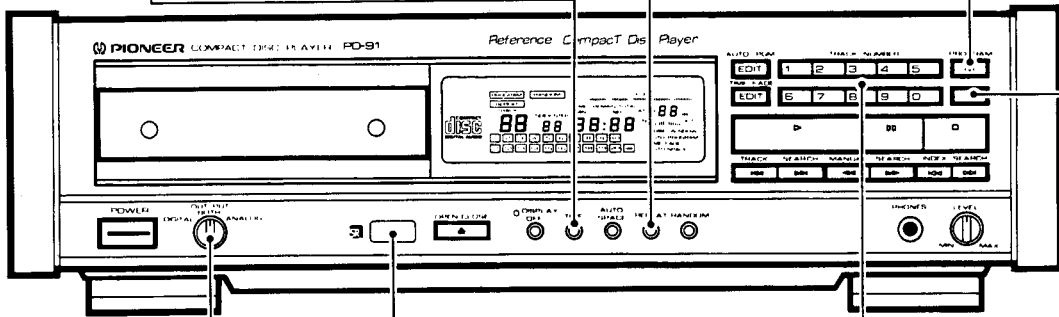
- Press this key after selecting a desired track with the TRACK NO. keys. Tracks will be added to the program in the order in which a track is selected.

CLEAR key (PROGRAM CLEAR)

Press this key to delete the last operation in the program or Music Window program during program input.

If pressed during program or Music Window playback, the entire program will be deleted.

Also, in the program time fade editing mode, the editing mode will be cancelled. If the key is pressed again, the program will be deleted.



Output selector (OUTPUT)

Select the output terminal to be used.

- ANALOG** : When using only the audio output terminal
- BOTH** : When using both the audio output terminal and digital output terminal
- DIGITAL** : When using only the digital terminal

- The circuit not in use is inactivated to prevent any detrimental effect on sound quality.

TRACK NO. keys (1 to 0)

- Use to specify track numbers (track 1 - track 99) for selection of tracks, program entry, or to confirm playback time.
- For Auto Program Edit or Time Fade Edit operation, the track number keys are used to specify the time period (in minutes).

REMOTE SENSOR window

AUTO SPACE key

During playback, there will be a pause of about three seconds before the next track is played.

DISPLAY OFF key

Press this key to turn off the indicator display. The unused circuits are turned off to prevent any detrimental effect on sound quality.

- When an operation key is pressed, the display will go on for a few seconds.
- When not in playback mode (STOP, PAUSE, etc.), the display will be on.

RANDOM play key

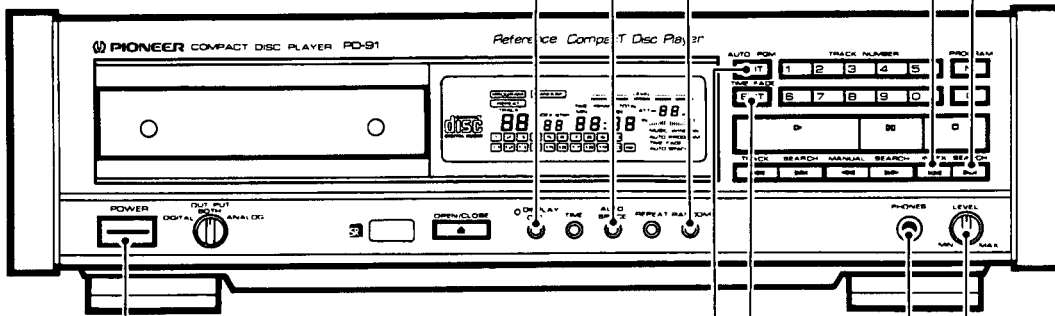
Press to begin random playback.

INDEX SEARCH keys

Searches, during playback or pause, for the music section of a track or the track index. When pressed, the unit will return to the previous index or advance to the next index

⏩: Advances to the next index number.

⏪: Returns to the index number of the currently-playing music section or track.



POWER switch

Press to turn power to the unit ON and OFF. If there is a disc in the unit when power is turned ON, playback will begin automatically. (Timer start function)

AUTO PGM EDIT key

Press to program a tune which may be played back within a specified time.

PHONES (headphones) jack

When you wish to use headphones, insert the plug for the headphones into the headphone jack.

PHONES LEVEL control knob

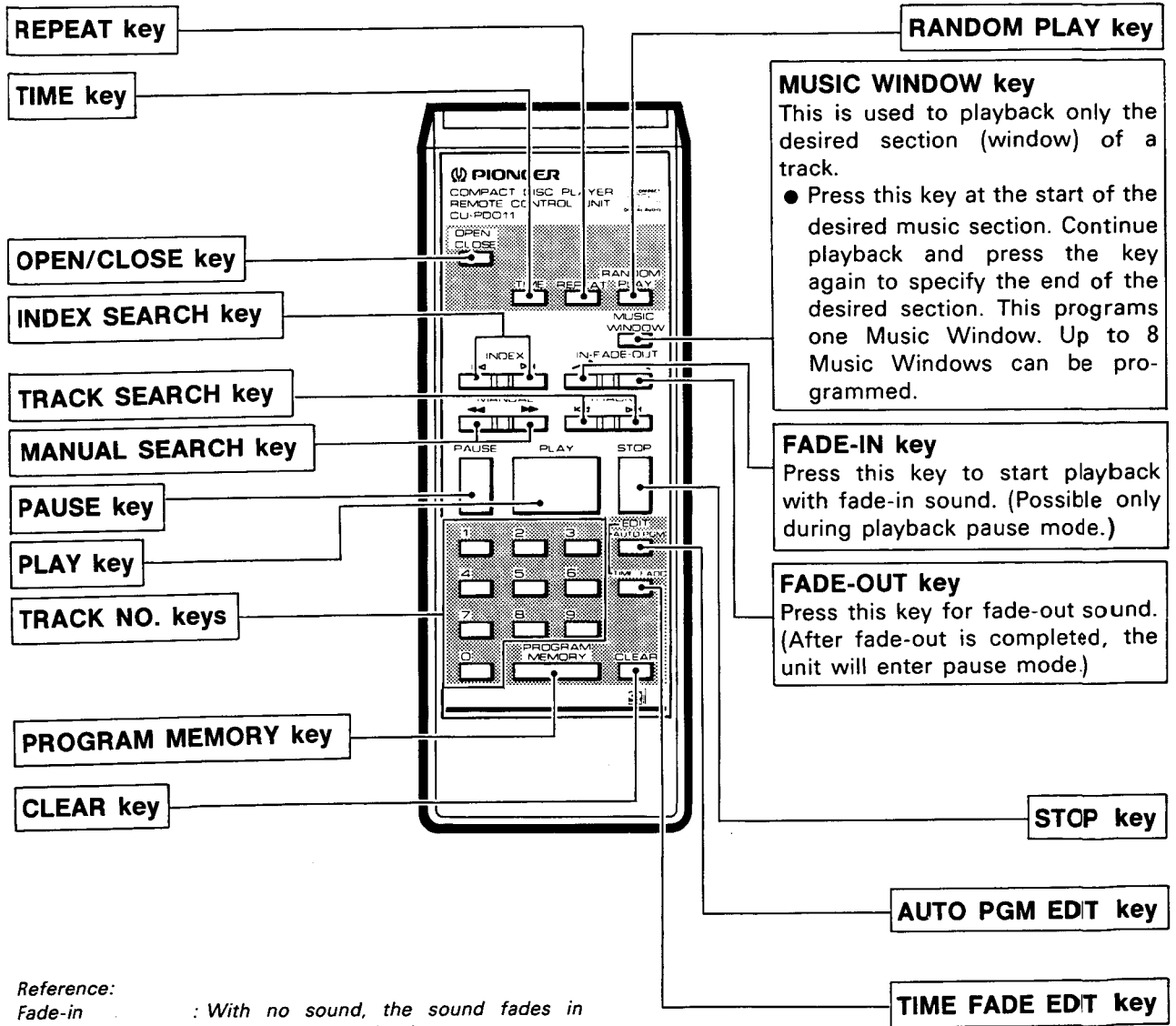
Use to adjust the level of sound when using headphones. Turning the knob to the right increases the sound level.

TIME FADE EDIT key

Press this key when ending play at a desired time with fade out.

REMOTE CONTROL UNIT

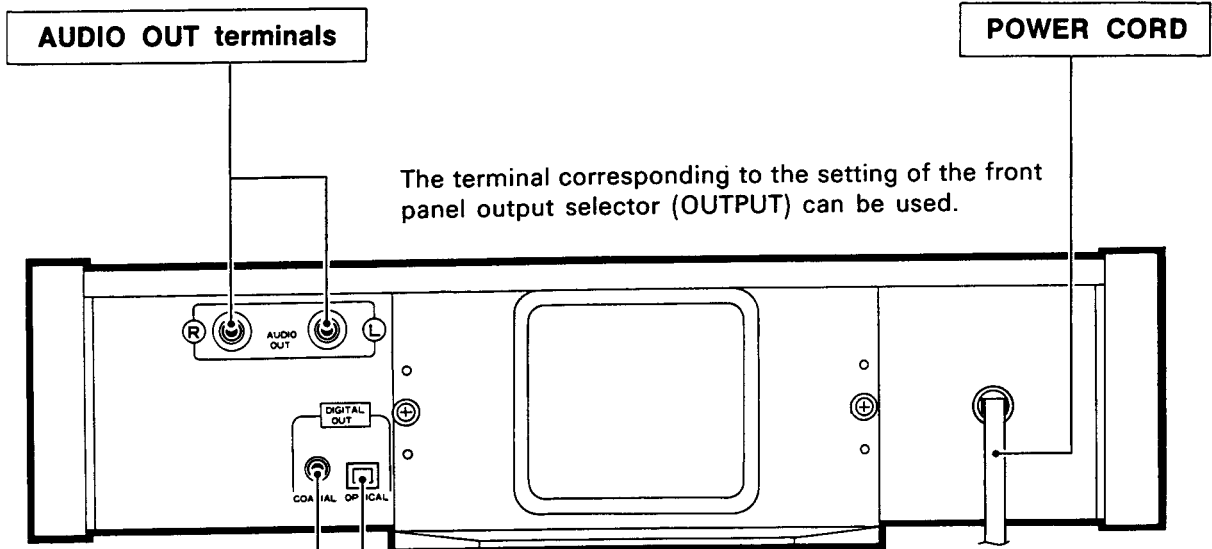
Refer to player front panel section regarding other key functions not specified here.



Reference:

- Fade-in** : With no sound, the sound fades in gradually getting louder.
- Fade-out** : The sound gradually gets softer until there is no sound.

REAR PANEL



Coaxial digital output terminal

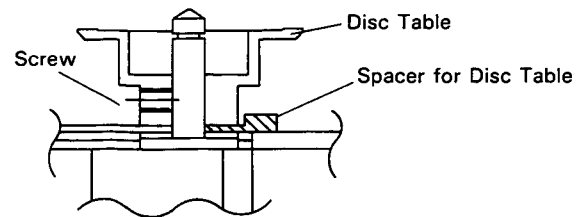
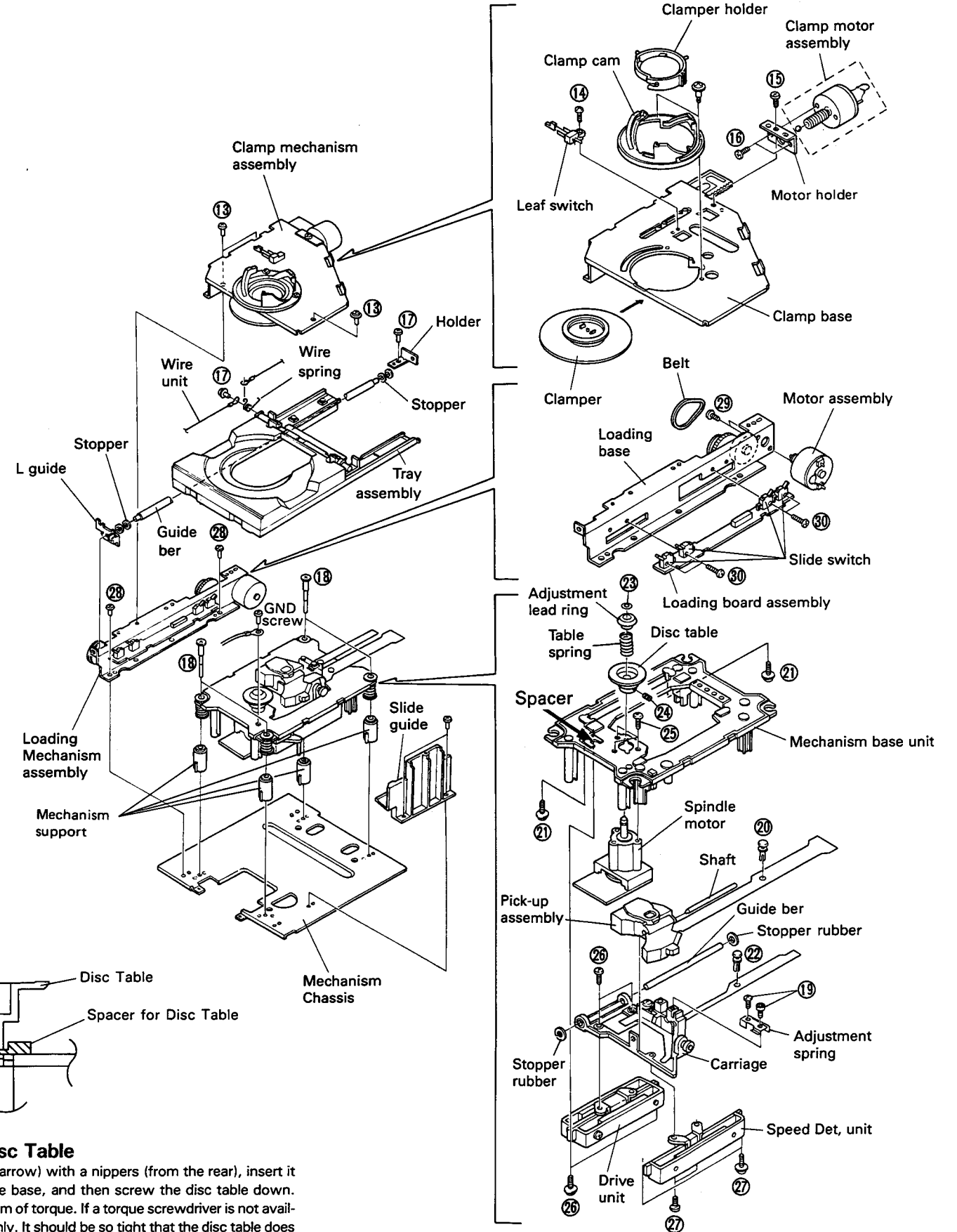
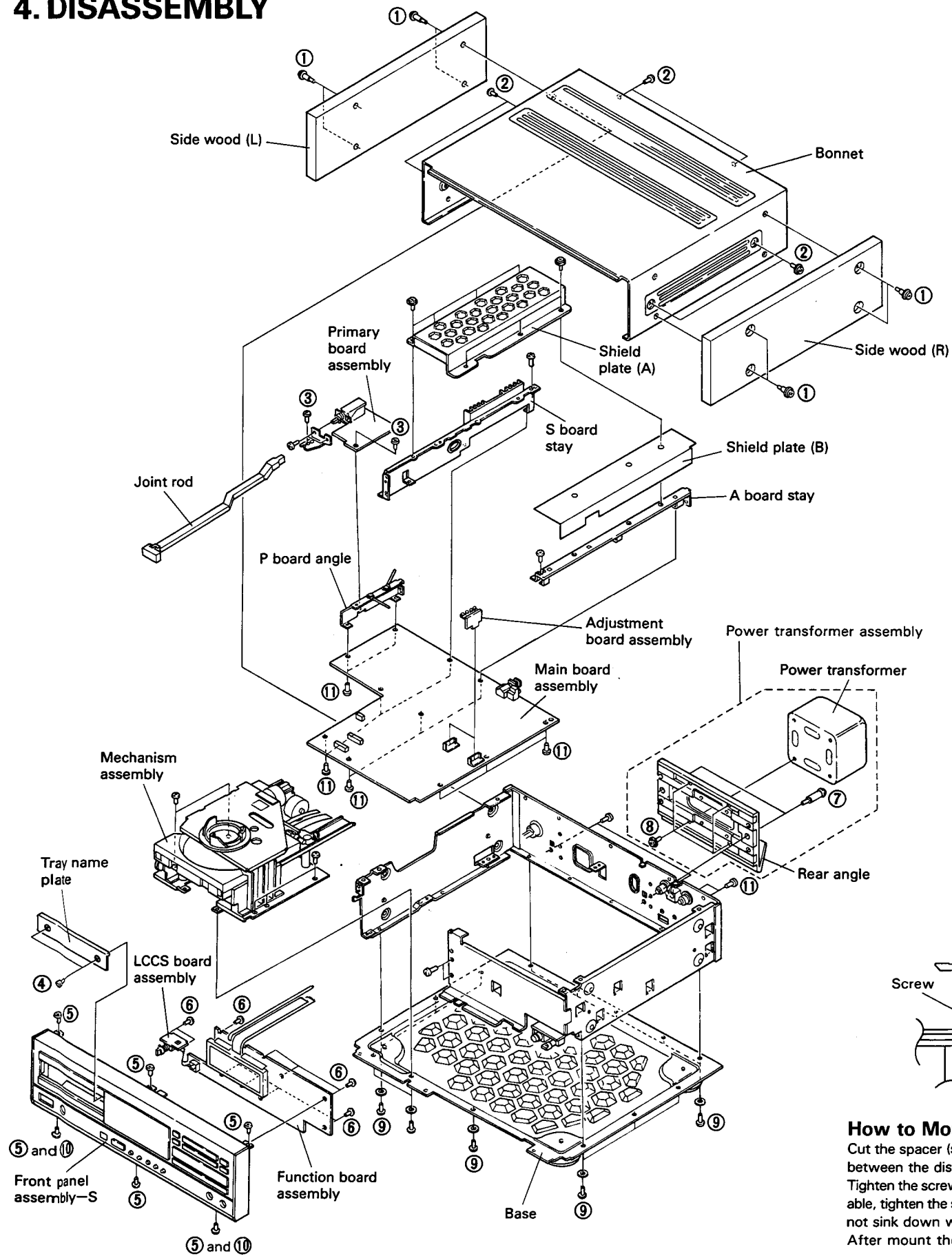
This terminal allows output of disc audio data and subcode (signals which can be recorded together with the audio signal) as digital signals.

Optical digital output terminal

This terminal allows optical output of disc audio data and subcode (signal which can be recorded with the audio signal) as digital signals.

- The coaxial cable and optical fiber cable are sold separately.

4. DISASSEMBLY



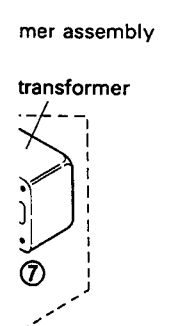
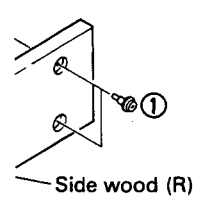
How to Mount the Disc Table

Cut the spacer (shown by the arrow) with a nippers (from the rear), insert it between the disc table and the base, and then screw the disc table down. Tighten the screw to over 5kg cm of torque. If a torque screwdriver is not available, tighten the screw very firmly. It should be so tight that the disc table does not sink down when it is pressed down from above. After mount the disc table remove the spacer.

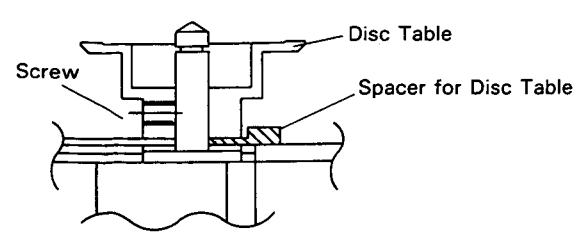
• Flo



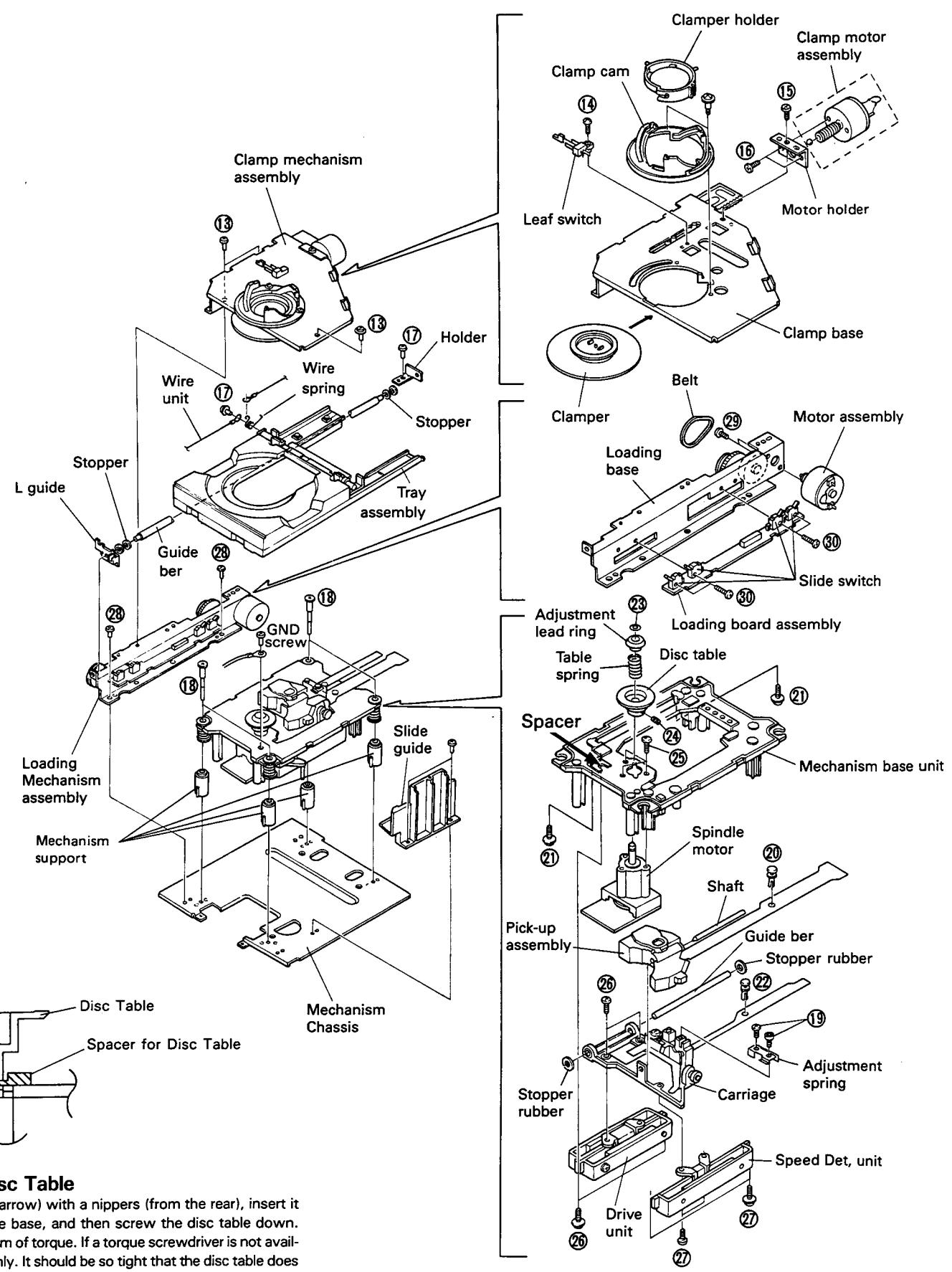
onnet



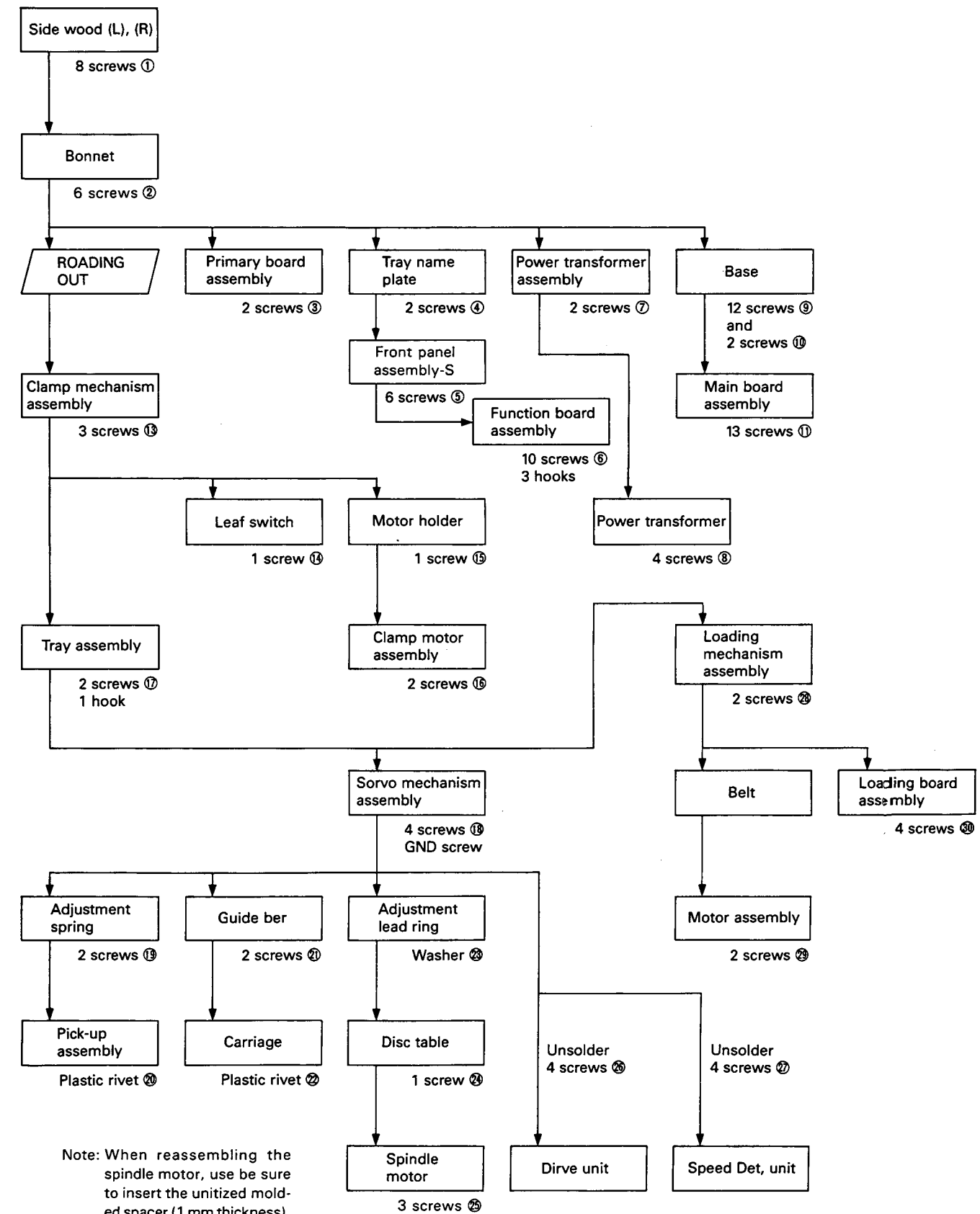
angle



How to Mount the Disc Table
 Cut the spacer (shown by the arrow) with a nippers (from the rear), insert it between the disc table and the base, and then screw the disc table down. Tighten the screw to over 5kg cm of torque. If a torque screwdriver is not available, tighten the screw very firmly. It should be so tight that the disc table does not sink down when it is pressed down from above. After mount the disc table remove the spacer.



● Flowchart



Note: When reassembling the spindle motor, use be sure to insert the unitized mold-ed spacer (1 mm thickness).

Note: In order to remove the drive and speed sensor units you must first remove the spindle motor.

11

12

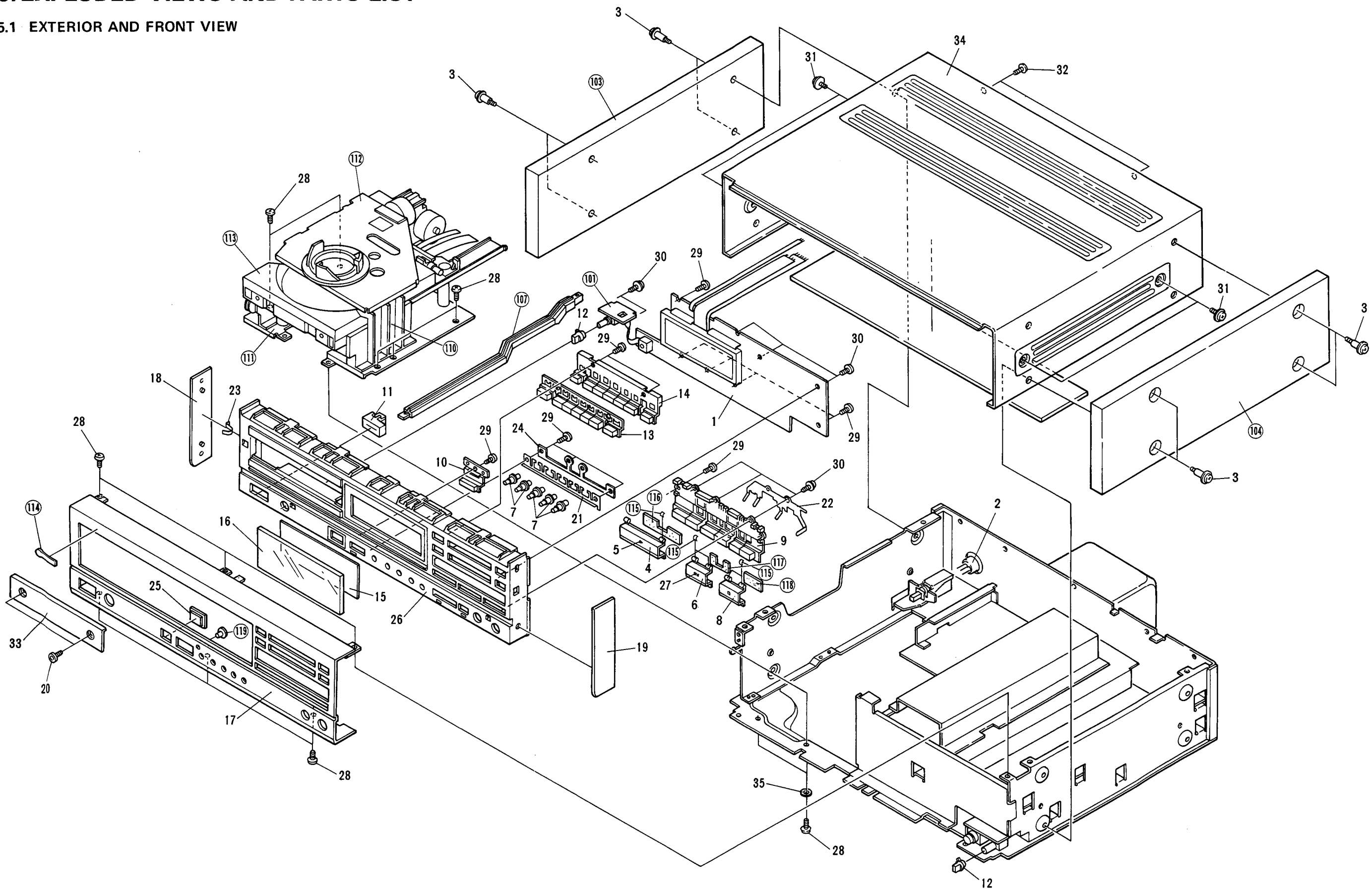
13

5. EXPLODED VIEWS AND PARTS LIST

5.1 EXTERIOR AND FRONT VIEW

A
B
C
D

A
B
C
D

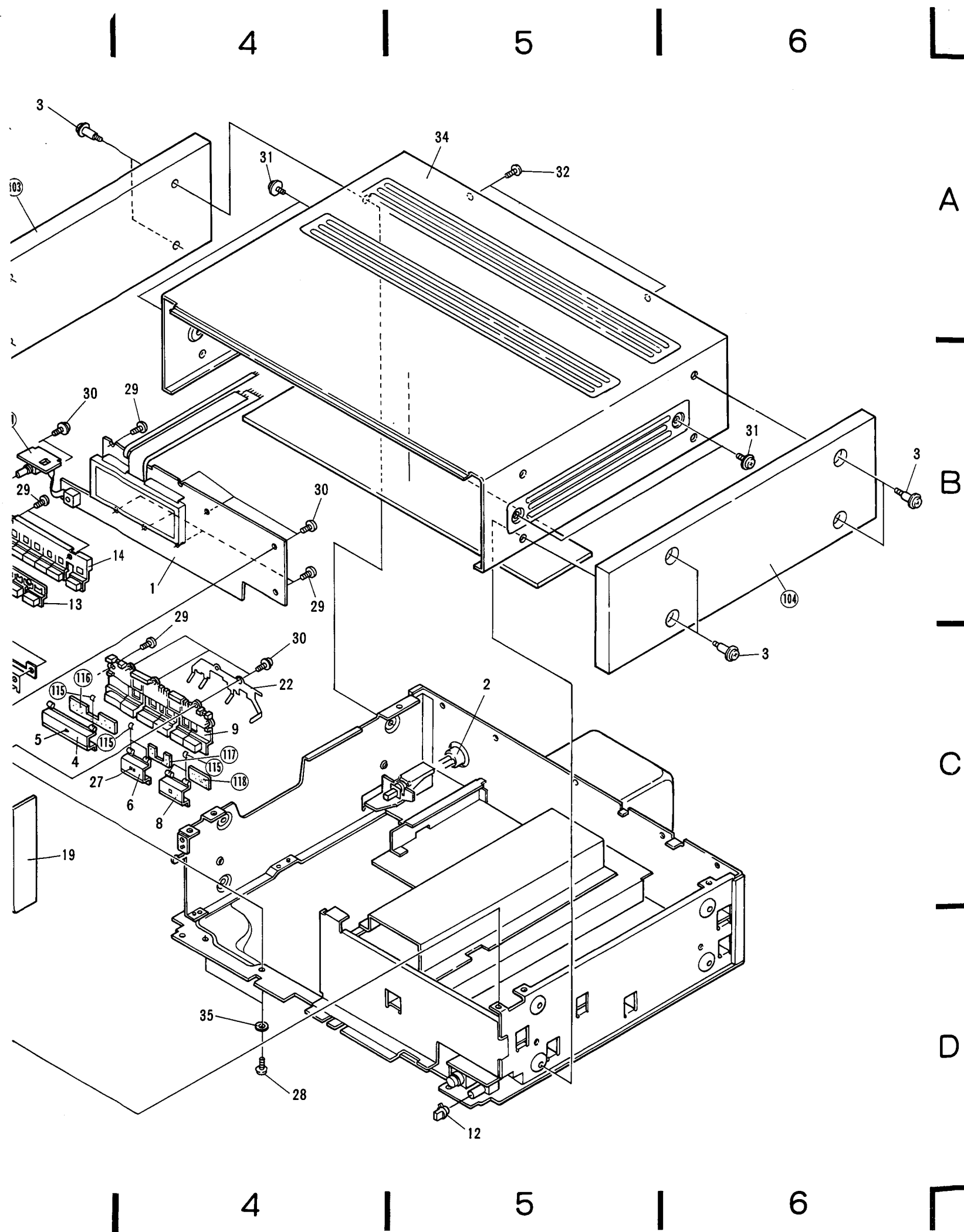


NOTES:

- Parts without
- The Δ mark
- factor of the p
- tion.
- For your part
- and *
- ★ ★ GENER.
- This classifica
- number, temp
- Parts marked
- than usual or

Parts List of

Mark	No.	F
●	1.	F
●	2.	C
●	3.	F
●	4.	F
●	5.	F
●	6.	F
●	7.	F
●	8.	F
●	9.	F
●	10.	F
●	11.	F
●	12.	F
●	13.	F
●	14.	F
●	15.	F
●	16.	F
●	17.	F
●	18.	F
●	19.	F
●	20.	F
●	21.	F
●	22.	F
●	23.	F
●	24.	F
●	25.	F
●	26.	F
●	27.	F
●	28.	E
●	29.	E
●	30.	I
●	31.	F
●	32.	E
●	33.	F
●	34.	F
●	35.	V



NOTES:

- Parts without part number cannot be supplied.
- The Δ mark found on some component parts indicates the importance of the safety factor of the part. Therefore, when replacing, be sure to use parts of identical designation.
- For your parts Stock Control, the fast moving items are indicated with the marks $\star\star$ and \star .
 $\star\star$ **GENERALLY MOVES FASTER THAN \star**
This classification shall be adjusted by each distributor because it depends on model number, temperature, humidity, etc.
- Parts marked by "●" are not always kept in stock. Their delivery time may be longer than usual or they may be unavailable.

Parts List of Exterior

Mark	No.	Part No.	Description	Mark	No.	Part No.	Description
	●	1. PWZ1035	Function board assembly		101.		LCCS board assembly
Δ		2. CM-22C	Strain relief		102.		...
		3. RBA-093	Screw (Side wood)		103.		Side wood (L)
		4. PAB1010	Play button		104.		Side wood (R)
		5. PNW1258	Play lens		105.		...
		6. PAB1011	Pause button		106.		...
		7. PAA1003	Mood button		107.		Joint rod
		8. PAB1012	Stop button		108.		...
		9. PAC1204	Track button		109.		...
		10. PAC1206	Open button		110.		Slide guide
		11. PAC1207	Power button		111.		Loading mechanism assembly
		12. PAC1208	Headphone knob		112.		Clamp mechanism assembly
		13. PAC1209	Select button (A)		113.		Tray assembly
		14. PAC1210	Select button (B)		114.		Name plate
		15. PAM1152	FL filter		115.		Tape A
		16. PAM1135	Display window		116.		PL spacer
		17. PAN1078	Front panel		117.		PA spacer
		18. PAN1093	Side sash (L)		118.		ST spacer
		19. PAN1094	Side sash (R)		119.		Lens
		20. PBA1013	Decoration screw				
		21. PBK1025	Plate spring (A)				
		22. PBK1026	Plate spring (B)				
		23. PBK1027	Plate spring (C)				
		24. PNB1054	Mode angle				
		25. PNW1075	Remote sensor window				
		26. PNW1261	Function panel				
		27. PNW1259	Pause lens				
		28. BBZ30P060FCC	Screw				
		29. BBZ30P080FCC	Screw				
		30. IBZ30P080FCC	Screw				
		31. FBT40P080FZK	Screw				
		32. BBZ30P080FZK	Screw				
		33. PAN1097	Tray name plate				
		34. PYY1056	Bonnet				
		35. VBE1003	Washer				

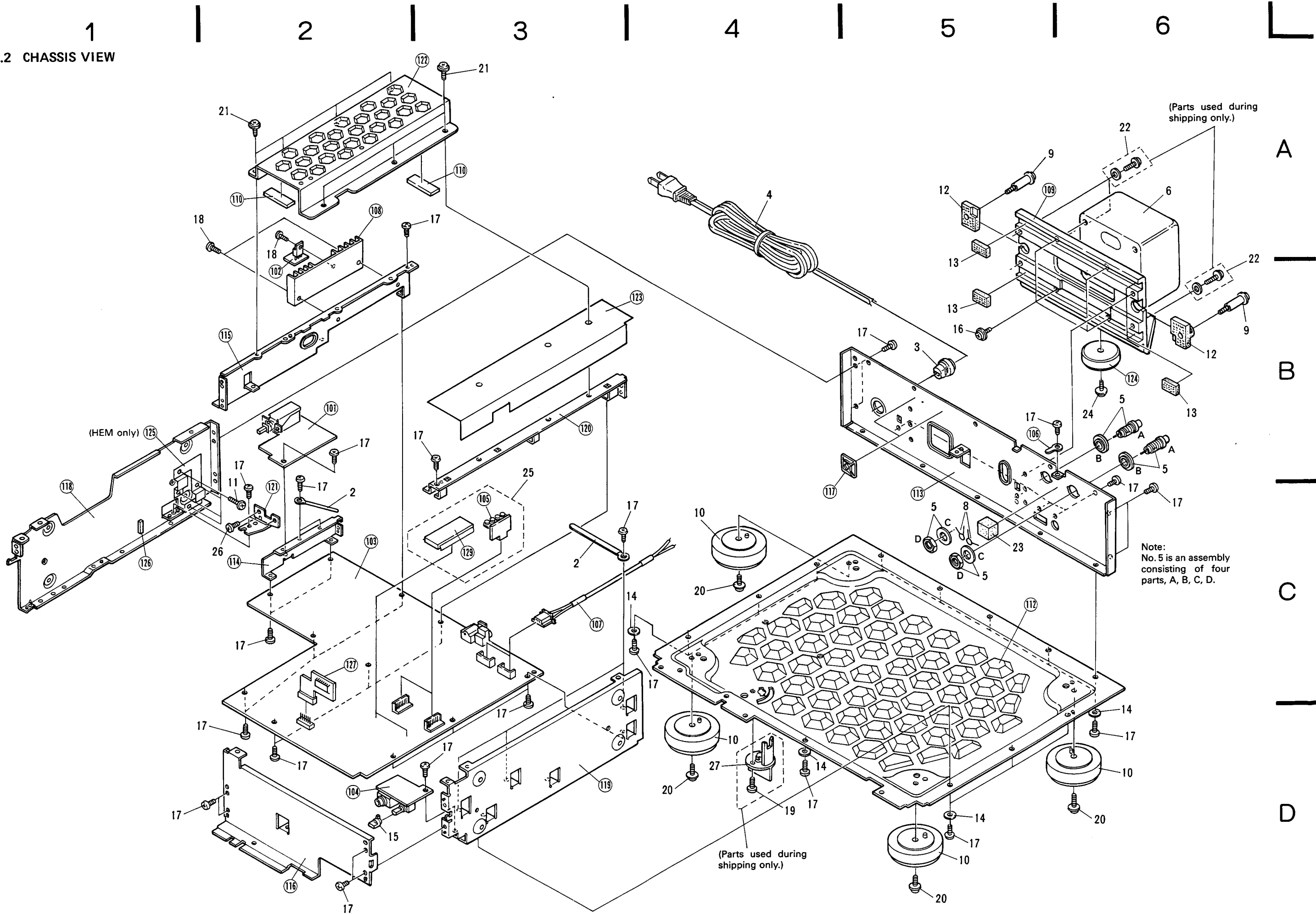
1
5.2 CHASSIS VIEW

A

B

C

D



1

2

3

4

5

6

6

Parts Li
Mark

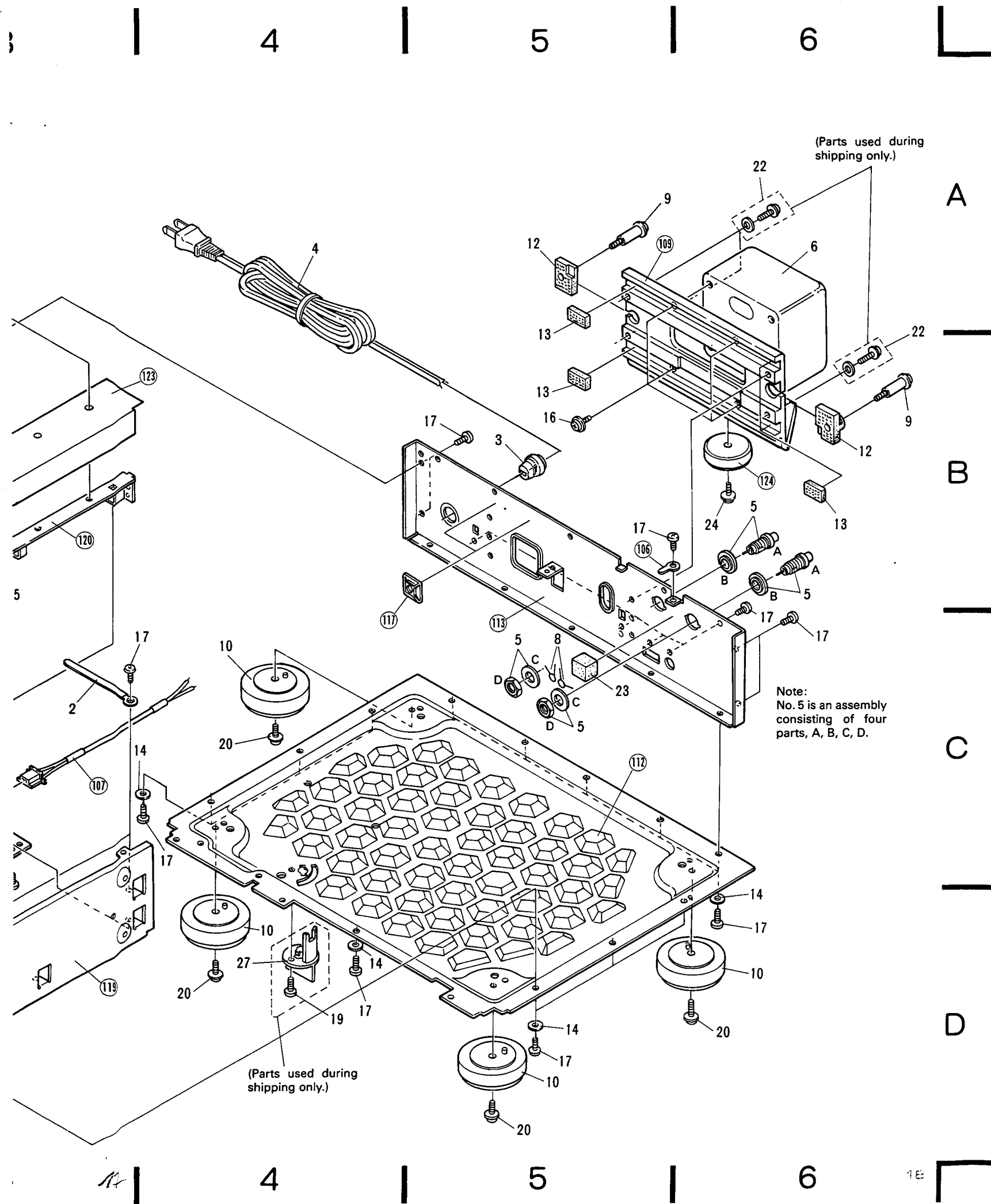
- △
- △
- △ *
- △

A

B

C

D



Parts List of Chassis

Mark	No.	Part No.	Description	Mark	No.	Part No.	Description
	1.		101.		Primary board assembly
	2.	RNH-184	Cord holder		102.		Regulator board assembly
△	3.	CM-22C	Strain relief		103.		Main board assembly
△	4.	PDG1002	AC Power cord		104.		Headphone board assembly
	5.	PKB1008	1P pin jack		105.		Adjustment board assembly
△	★	6.	PTT1039		106.		Power transformer (AC120V)
	7.		107.		GND plate
△	8.	CKDYF103Z50	Ceramic capacitor		108.		Connector assembly
	9.	PBA1008	Screw (A)		109.		Heat sink
	10.	AMR1159	Leg assembly		110.		Rear angle
							Cushion (B)
	11.	PCZ30P050FZK	Screw		111.		...
	12.	PEB1054	Damper rubber (A)		112.		Base
	13.	PEB1055	Damper rubber (B)		113.		Rear base
	14.	VBE1003	Washer		114.		P board angle
	15.	PAC1208	Headphone Knob		115.		S board angle
	16.	AMZ40P080FMC	Screw		116.		Front stay
	17.	BBZ30P060FCC	Screw		117.		Binder holder
	18.	BBZ30P080FCC	Screw		118.		Side plate (L)
	19.	BBZ30P080FRD	Screw		119.		Side plate (R)
	20.	IBZ30P080FCC	Screw		120.		A board stay
	21.	IBZ30P060FCC	Screw		121.		Switch angle
	22.	AMZ40P180FRD	Screw		122.		Shield plate (A)
	23.	PNM1008	Cushion		123.		Shield plate (B)
	24.	IBZ30P120FCC	Screw		124.		Leg assembly (B)
	25.	PYY1043	D/A converter assembly		125.		Screw angle (HEM only)
	26.	PMZ30P060FCC	Screw		126.		Cushion rubber
	27.	PNW1236	Clamp knob		127.		Schmidt board assembly
					128.		...
					129.		IC (IC500, IC600)

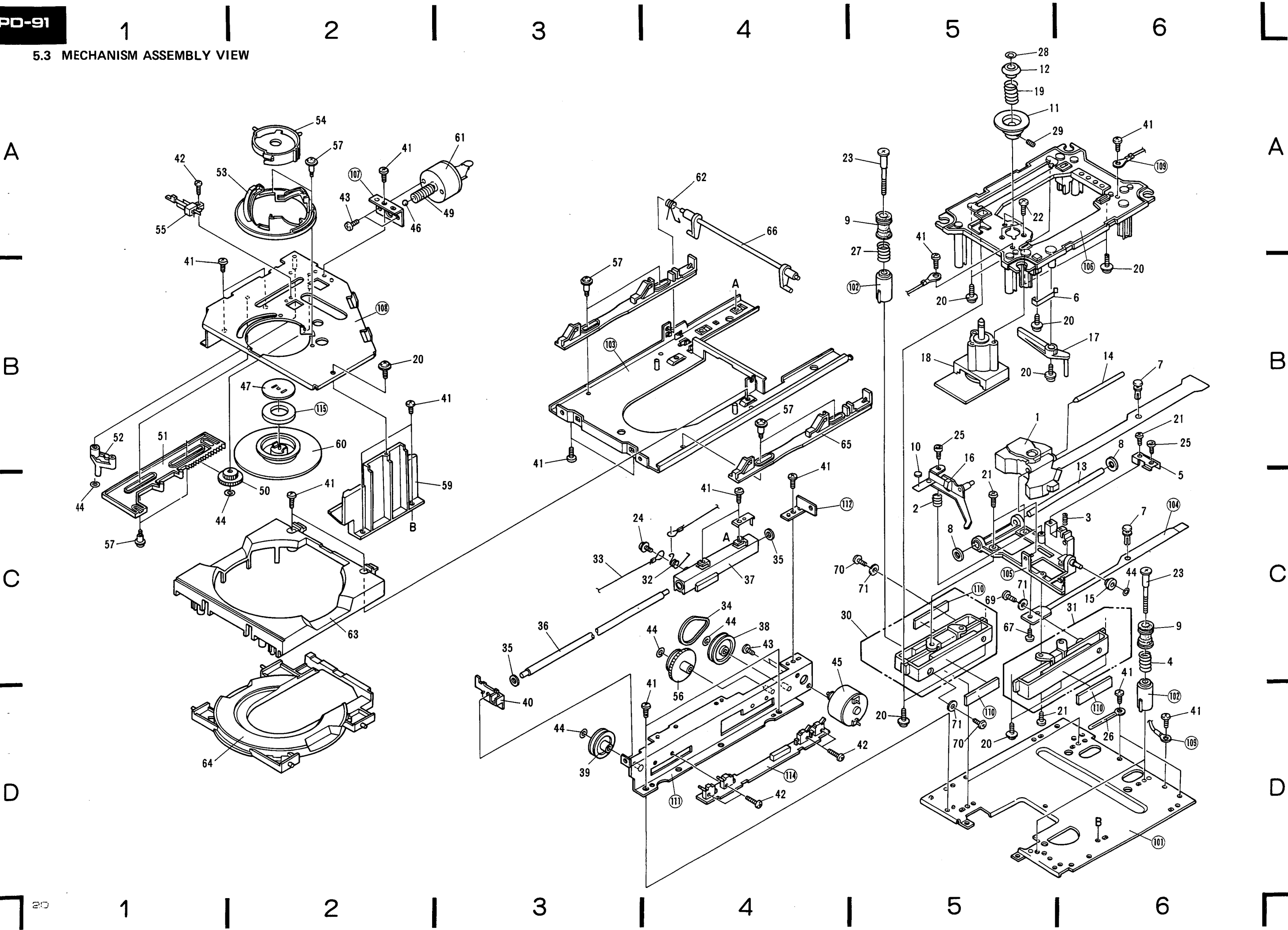
A

B

C

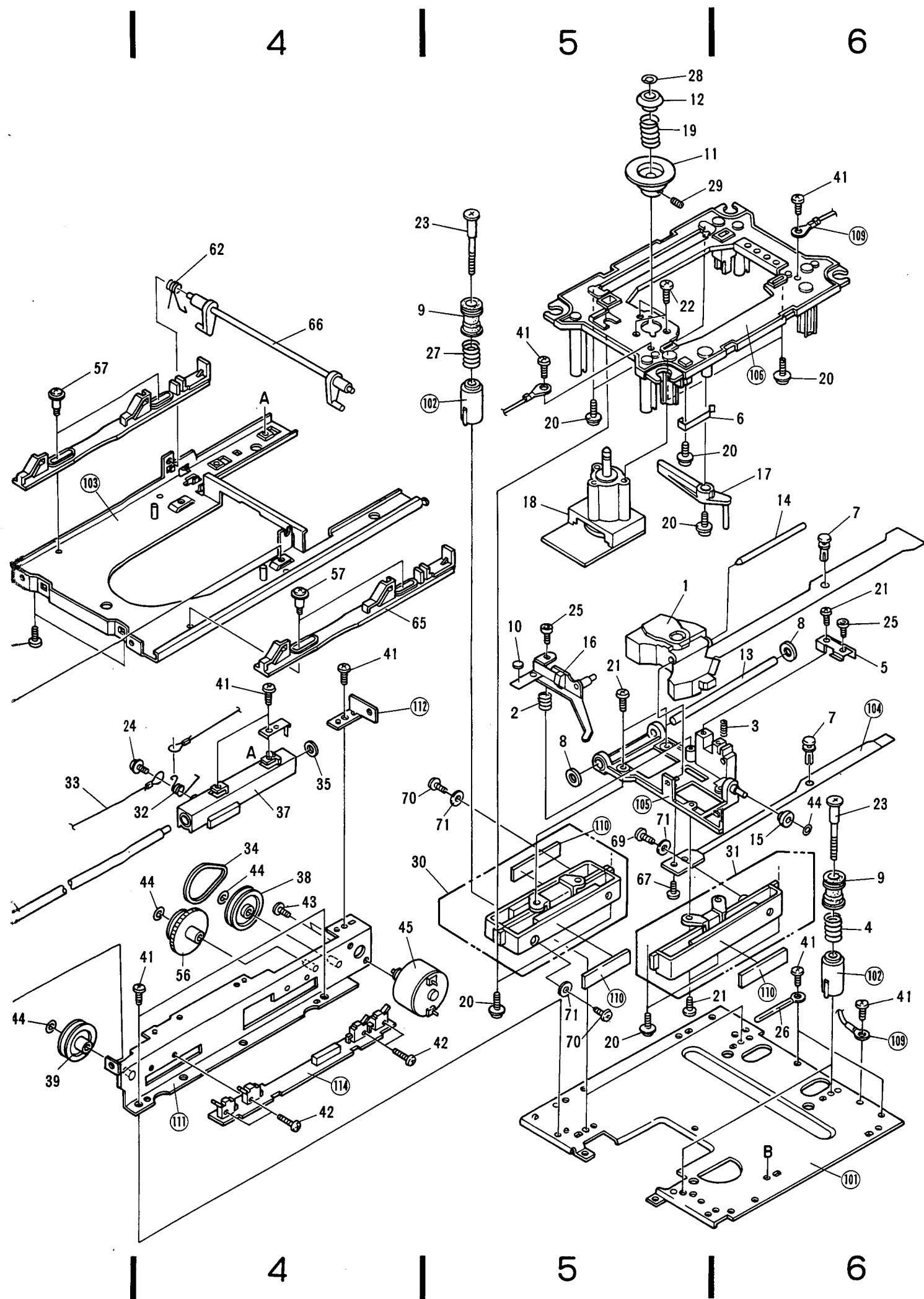
D

5.3 MECHANISM ASSEMBLY VIEW



Parts List of I

Mark	No.	Pt.
	1.	Pt.
	2.	Pt.
	3.	Pt.
	4.	Pt.
	5.	Pt.
	6.	Pt.
	7.	Pt.
	8.	Pt.
	9.	Pt.
	10.	Pt.
	11.	Pt.
	12.	Pt.
	13.	Pt.
	14.	Pt.
	15.	Pt.
	16.	Pt.
	17.	Pt.
**	18.	Pt.
	19.	Pt.
	20.	IE
	21.	Pt.
	22.	Pt.
	23.	Pt.
	24.	IE
	25.	Pt.
	26.	R
	27.	Pt.
	28.	V
	29.	Z
	30.	Pt.
	31.	Pt.
	32.	Pt.
	33.	Pt.
**	34.	Pt.
	35.	Pt.
	36.	Pt.
	37.	Pt.
	38.	Pt.
**	39.	Pt.
	40.	Pt.
	41.	B
	42.	Pt.
	43.	Pt.
	44.	V
**	45.	Pt.

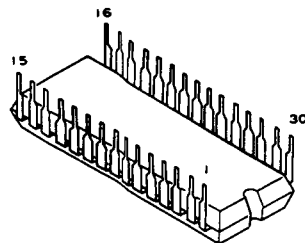


Parts List of Mechanism Assembly

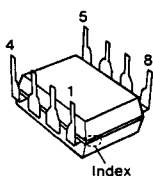
Mark	No.	Part No.	Description	Mark	No.	Part No.	Description
	1.	PWY1004	Pick-up assembly		46.	PBP-001	Steel ball ø4
	2.	PBH1028	Lever spring		47.	PNB1049	Yoke
	3.	PBH1029	Shaft spring		48.
	4.	PBH1030	Float spring		49.	PNW1220	Worm
	5.	PBK1021	Adjustment spring		50.	PNW1221	Worm wheel
	6.	PBK1022	Stopper spring		51.	PNW1222	Clamp drive plate
	7.	PBM-015	Plastic rivet		52.	PNW1223	Clamp
	8.	PEB1035	Stopper rubber		53.	PNW1224	Clamp cam
	9.	PEB1036	Damper rubber		54.	PNW1225	Clamper holder
	10.	PEB1048	Stopper rubber	★ ★	55.	VSK-015	Leaf switch
	11.	PLA1024	Disc table	★ ★	56.	PNW1212	Drive pulley
	12.	PLA1025	Adjustment lead ring		57.	PBA-125	Motor hold screw
	13.	PLA1026	Guide bar		58.
	14.	PLA1027	Shaft		59.	PNW1219	Slide guide
	15.	PLM1001	Roller		60.	PNW1208	Clamper
	16.	PNB1048	Adjustment lever	★ ★	61.	PXM-151	Motor (CLAMP)
	17.	PNW1432	Stopper		62.	PBH1026	Slide cam spring
★ ★	18.	PXM1005	Spindle motor		63.	PNW1215	Tray
	19.	PBH1027	Table spring		64.	PNW1216	Disc plate
	20.	IBZ30P080FCC	Screw		65.	PNW1217	Slide cam
	21.	PMZ26P060FCU	Screw		66.	PNW1218	Connected lever unit
	22.	PMZ30P080FCU	Screw		67.	PMZ26P030FCU	Screw
	23.	PBA1021	Float screw		68.	PBA1024	Screw
	24.	IBZ30P060FCC	Screw		69.	PMZ30P160FCU	Screw
	25.	PBA1020	Adjustment screw		70.	PMZ30P350FCU	Screw
	26.	RNH-184	Cord holder		71.	WS30FMC	Washer
	27.	PBH1048	Float spring (F)		101.		Mechanism chassis
	28.	WT40D065D025	Washer		102.		Mechanism support
	29.	ZMD30H040FBT	Drive unit		103.		Slide base
	30.	PYY1038	Speed Det. unit		104.		Linear flexible
	31.	PYY1039	Wire spring		105.		Carriage
	32.	PBH1025	Wire unit		106.		Mechanism base unit
	33.	PBL1001	Belt		107.		Motor holder
★ ★	34.	PEB1037	Stopper		108.		Clamp base
	35.	PEB1076	Stopper		109.		GND lead unit
	36.	PLA1028	Guide bar		110.		Rubber cushion
	37.	PNW1210	Slider unit		111.		Loading base
	38.	PNW1211	Gear pulley		112.		Holder
★ ★	39.	PNW1213	Pulley		113.		GND plate
	40.	PNW1214	L guide		114.		Loading board assembly
	41.	BBZ30P060FCC	Screw		115.		Magnet (CLAMP MECH.)
	42.	PMZ20P080FMC	Screw				
	43.	PMZ20P040FMC	Screw				
	44.	WT25D047D025	Washer				
★ ★	45.	PYY-507	Motor assembly (LOADING)				

● ICs and Transistors

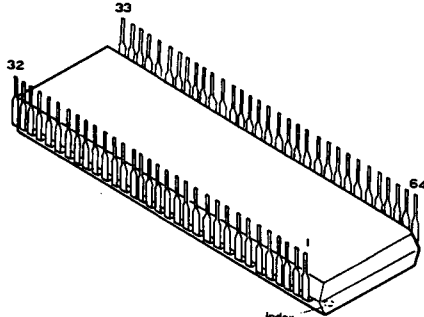
CXA1081S



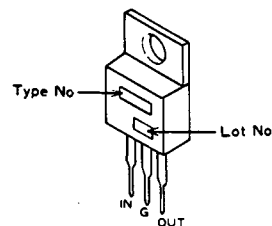
NJM072DE
NJM5532DD
NJM5534DD
M5238P



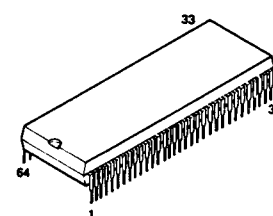
PD3094B



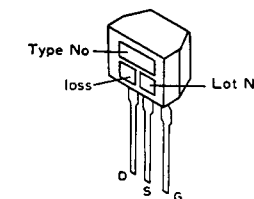
NJM78M12A



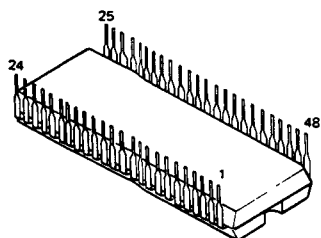
PDG010



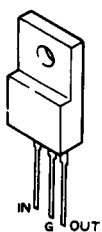
2SK241



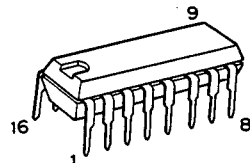
CXA1082AS
NJM79M12FA



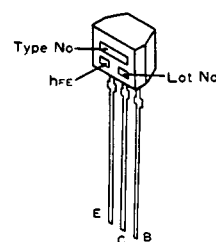
NJM78M05FA
NJM78M12FA



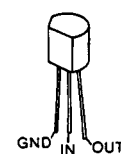
YM3414
M5240PR



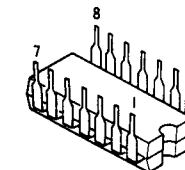
2SA1048



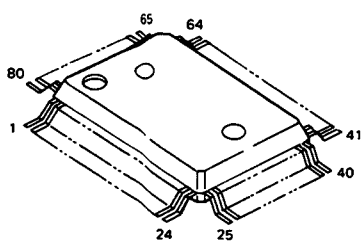
NJM79L12A



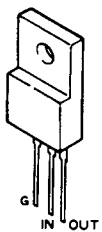
TC74HCU04P
TC74HC74P
TC74HC00P



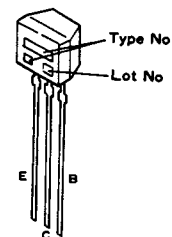
CXD1135QZ



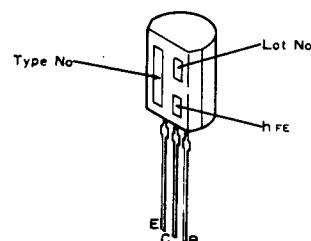
NJM79M05FA
NJM79M12FA
NJM79M15FA



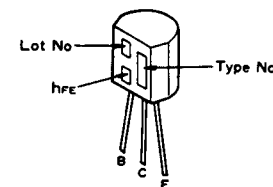
DTA124ES
DTC124ES



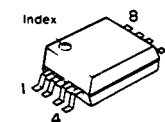
2SA1399
2SC3581



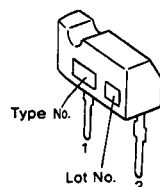
2SC2602



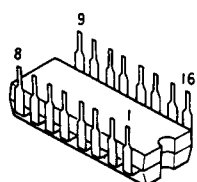
M5238PF



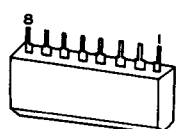
ICP-F10



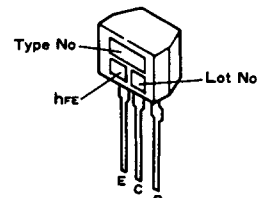
PD0026A



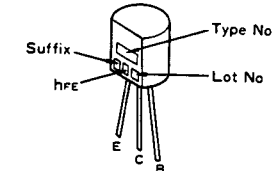
M5218L



2SA933S
2SC1740S
2SC1740SLN



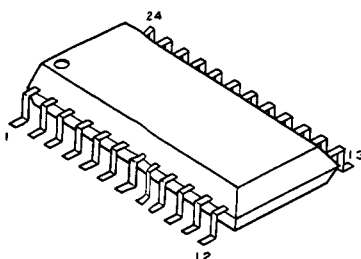
2SD1302



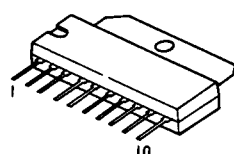
NJM78M15FA



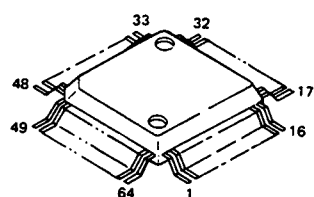
LC3517AML-15



TA7256P



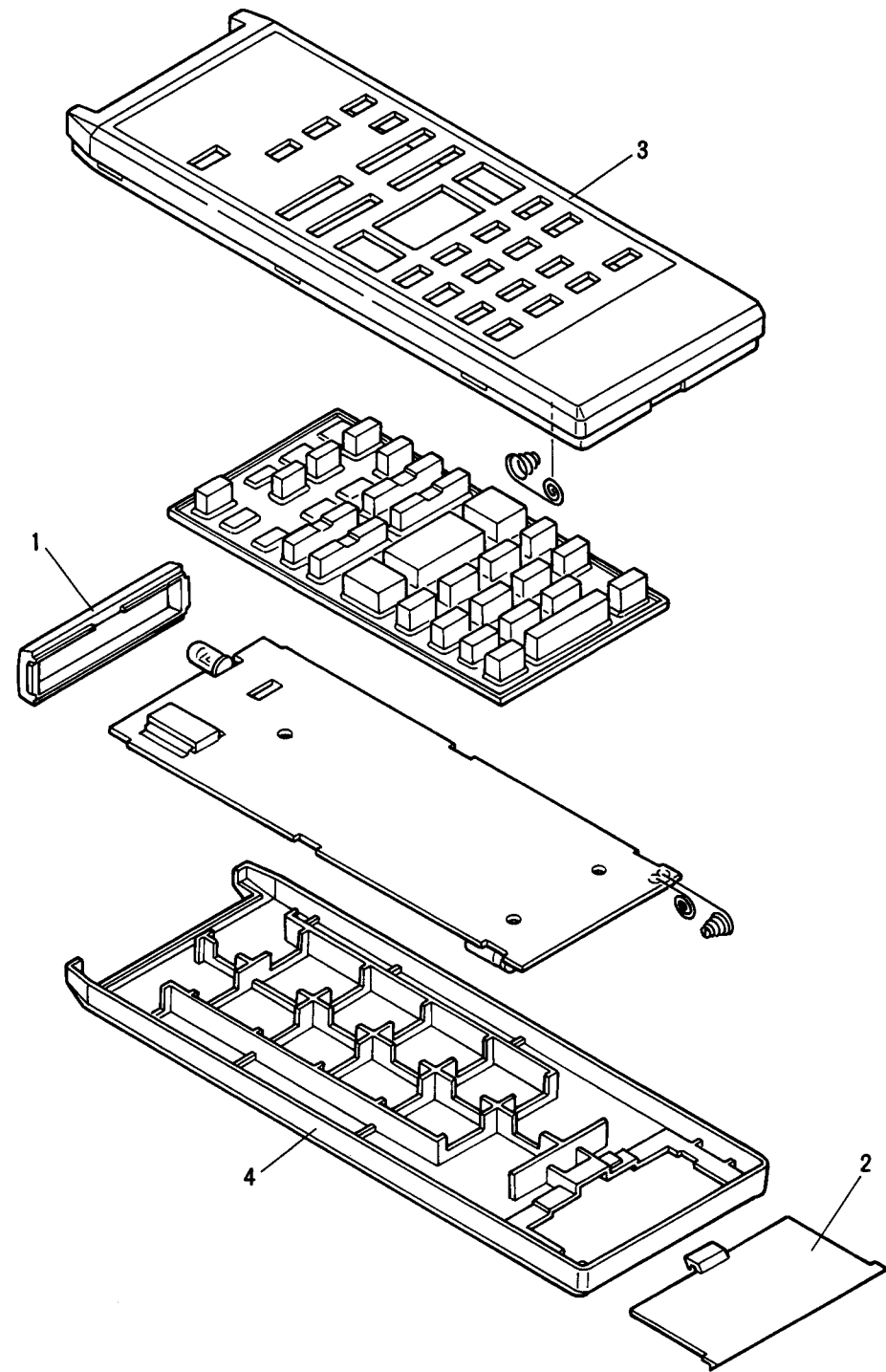
PDE023



2SJ104
2SK364



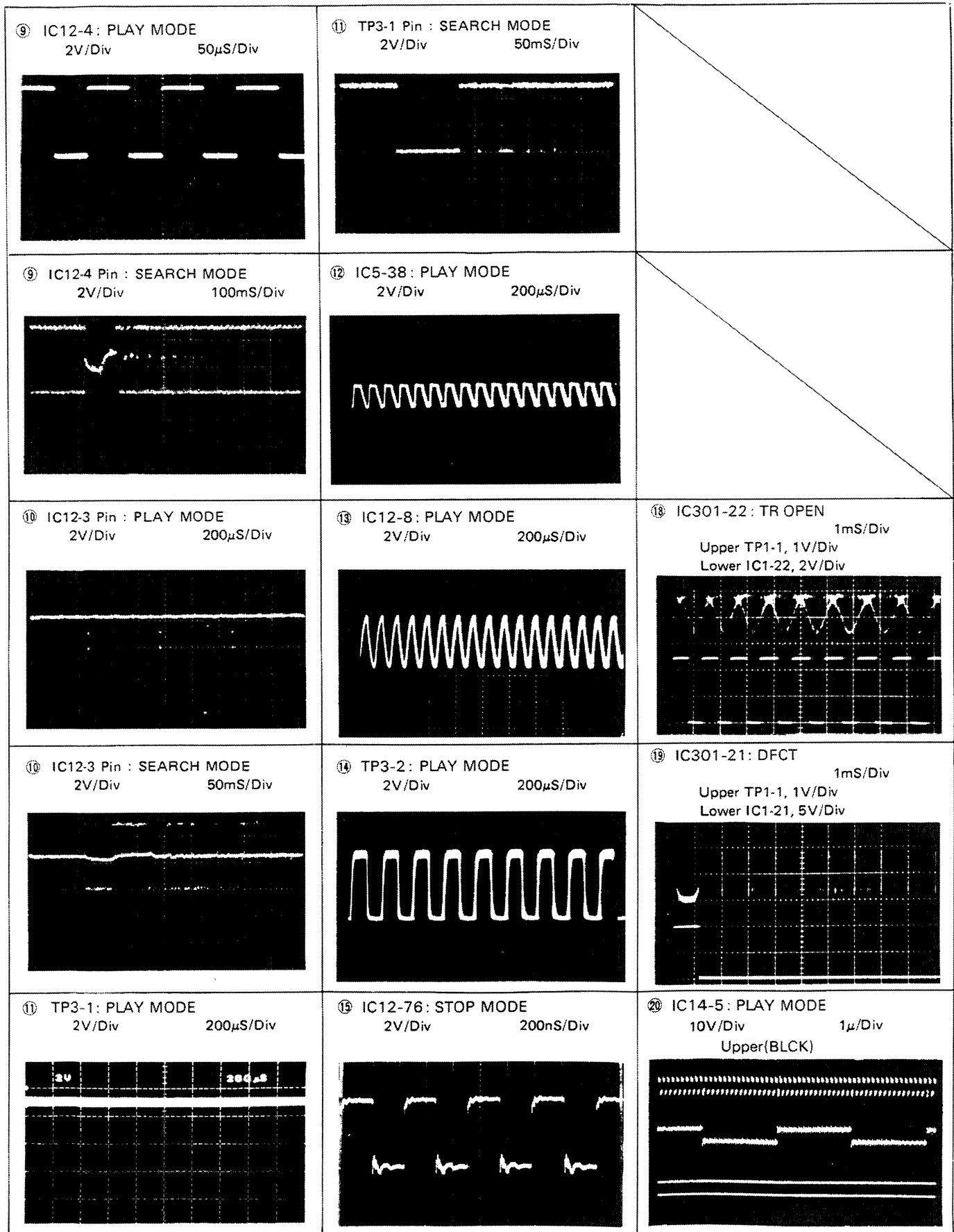
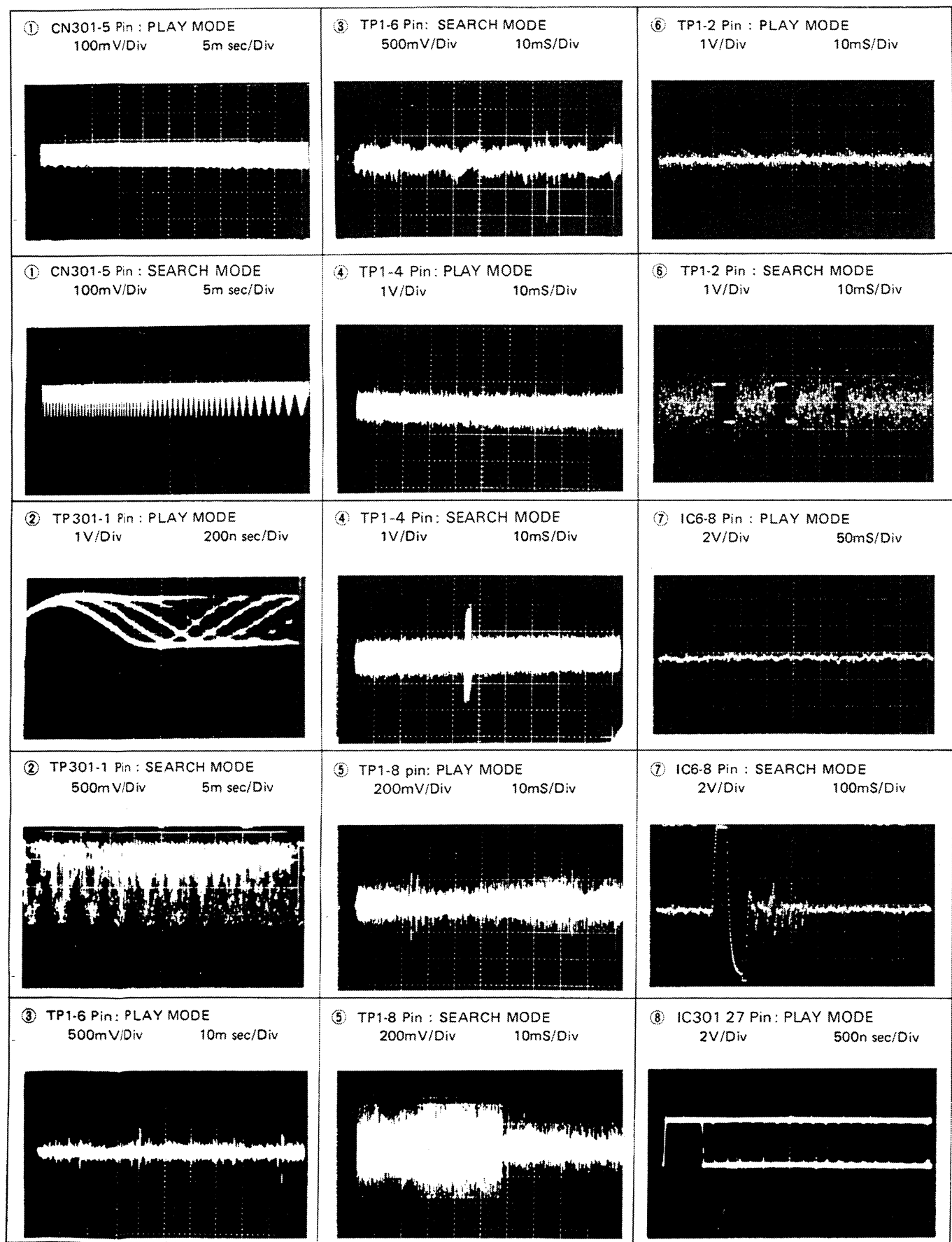
5.4 REMOTE CONTROL UNIT



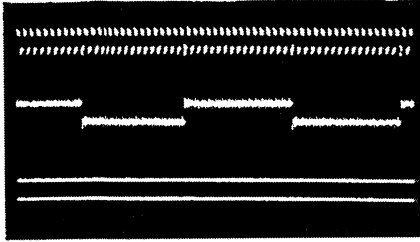
Parts List of Remote Control Unit

Mark	No.	Part No.	Description
	1.	PAM1071	Filter
	2.	PNW1153	Battery cover
	3.	PNW1278	Case (T)
	4.	PNW1279	Case (B)

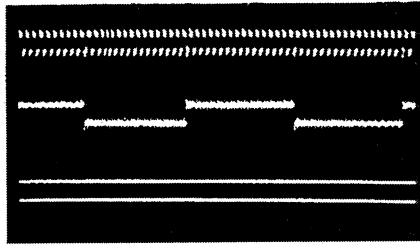
• Wave Forms



① IC14-6: PLAY MODE
10V/Div 1μ/Div
(LRCK)



② IC14-7: PLAY MODE
10V/Div 1μ/Div
(DATA)



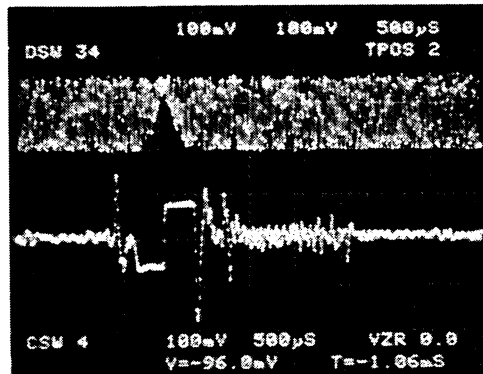
SEARCH MODE 50mS/Div

- ③ IC5-20 Pin 2V/Div
- ④ CN302-4 Pin 10V/Div
- ⑤ CN302-2 Pin 1V/Div



• Servo system
PAUSE MODE

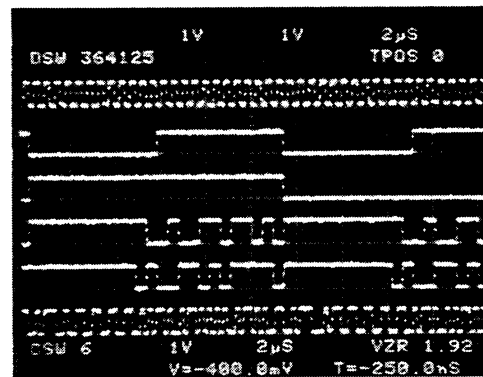
- ⑥ RF(TP301-1)
- ⑦ TR, RT(TP1-2)



1V/div
500μsec/div

PLAY MODE

- ⑧ BCLK(IC12-76)
- ⑨ WDCK(IC12-79)
- ⑩ LRCK(IC12-80)
- ⑪ DATA(IC12-78)
- ⑫ DOUT(IC11-4)
- ⑬ DOTX(IC12-27)

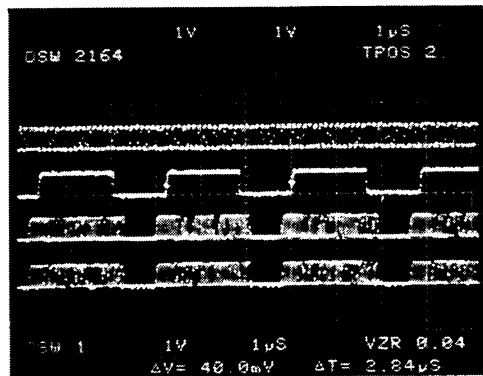


10V/div
2μsec/div

Unfixed

PLAY MODE

- ⑭ BCKI(IC14-12)
- ⑮ WCIN(IC14-11)
- ⑯ LDATA(IC14-9)
- ⑰ RDATA(IC14-10)



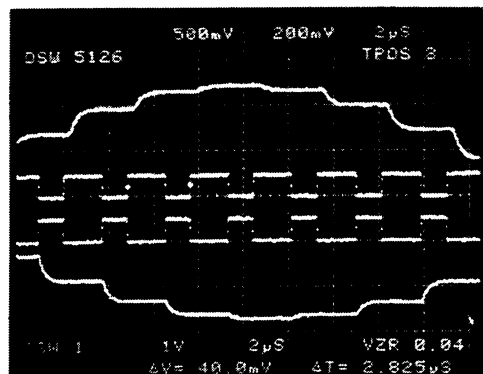
10V/div
1μsec/div

Unfixed

• Audio system

20kHz, 0dB PLAY MODE

- ⑱ Q501 } S
- ⑲ Q502 } S
- ⑳ D501 C
- ㉑ D502 C
- ㉒ Q506 } S
- ㉒ Q507 } S



5V/div

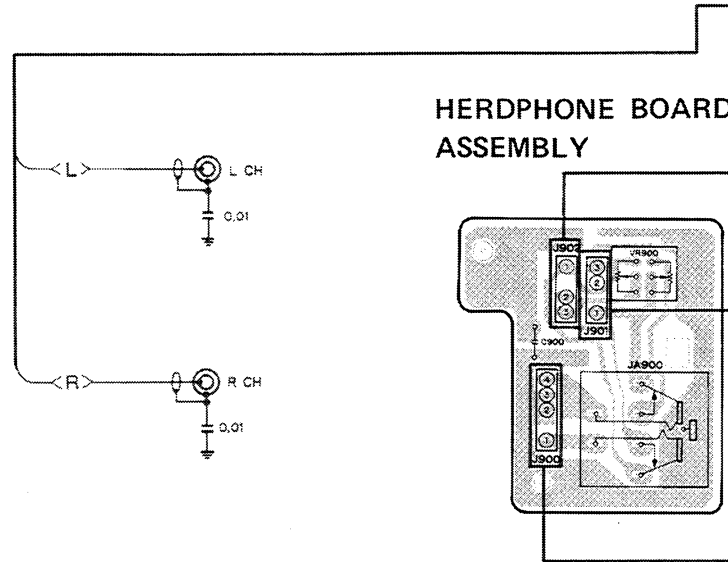
10V/div

2V/div

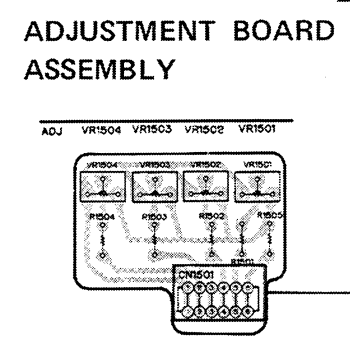
6.P.C. BOARDS CONNECTION DIAGRAM

MAIN BOARD ASSEMBLY

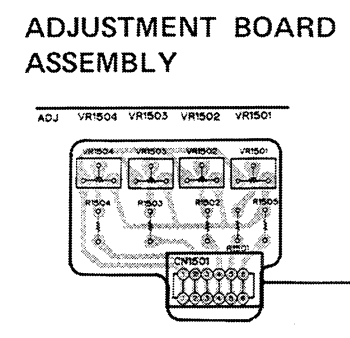
A



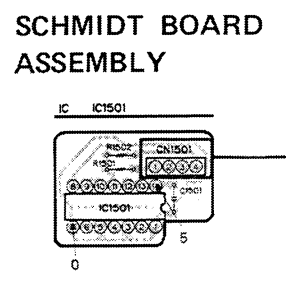
B



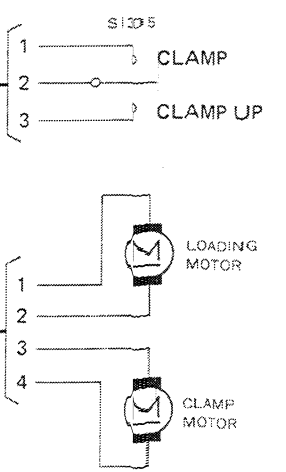
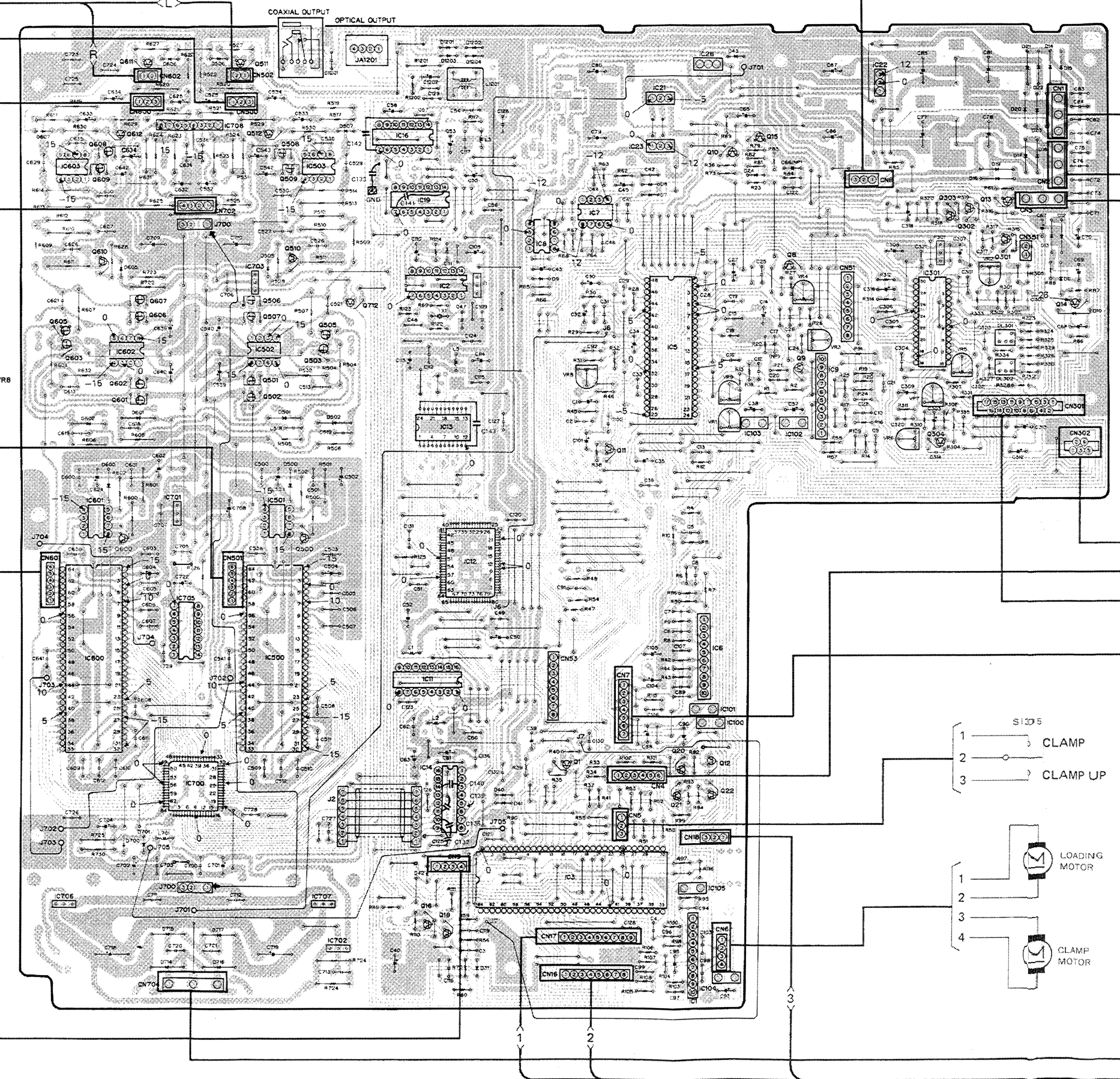
C



D



- IC 25
- Q511
- Q511 IC26
- IC22
- IC21
- IC24
- Q15
- IC16
- Q612 Q512
- IC23 Q10
- Q508 Q508
- Q509 IC503
- Q603 Q609
- Q13
- Q303 Q302
- IC8
- Q301
- Q610 Q510
- Q8
- VR2
- VR4
- IC703
- Q506 Q712
- Q607
- Q606 Q507 Q14
- IC301
- Q605
- Q505
- Q603
- IC502
- Q503
- Q502
- Q601
- Q9
- VR7 VR8
- IC5
- VR9
- VR1
- VR6
- IC103 IC102
- IC13
- Q304
- Q11
- IC601 IC501
- IC701
- Q600 Q500
- IC12
- IC705
- IC500
- IC600
- IC6
- IC11
- IC101
- IC100
- Q20 Q12
- Q1
- IC700
- Q21 Q22
- IC14
- IC3
- IC105
- IC706 IC707
- Q16
- Q18
- IC702
- IC1
- IC104



1

2

3

4

5

6

7

8

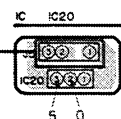
9

10

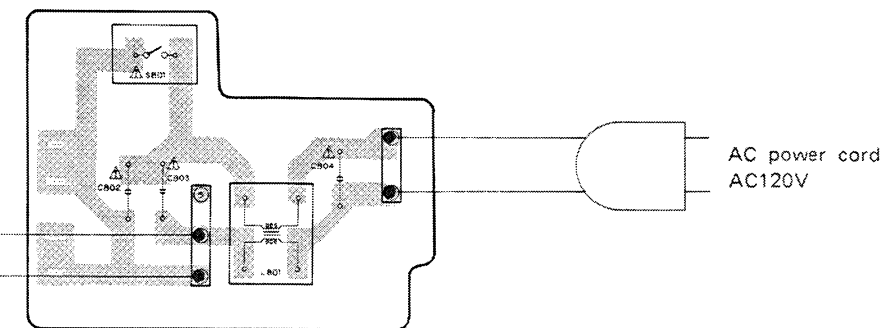
11

12

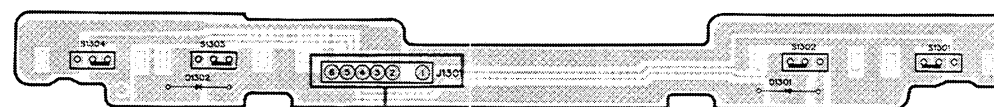
REGURATOR BOARD ASSEMBLY



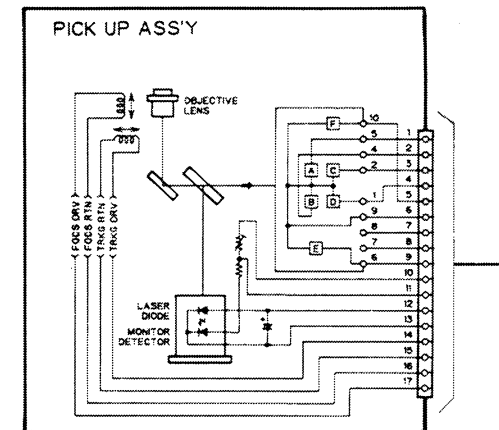
PRIMARY BOARD ASSEMBLY



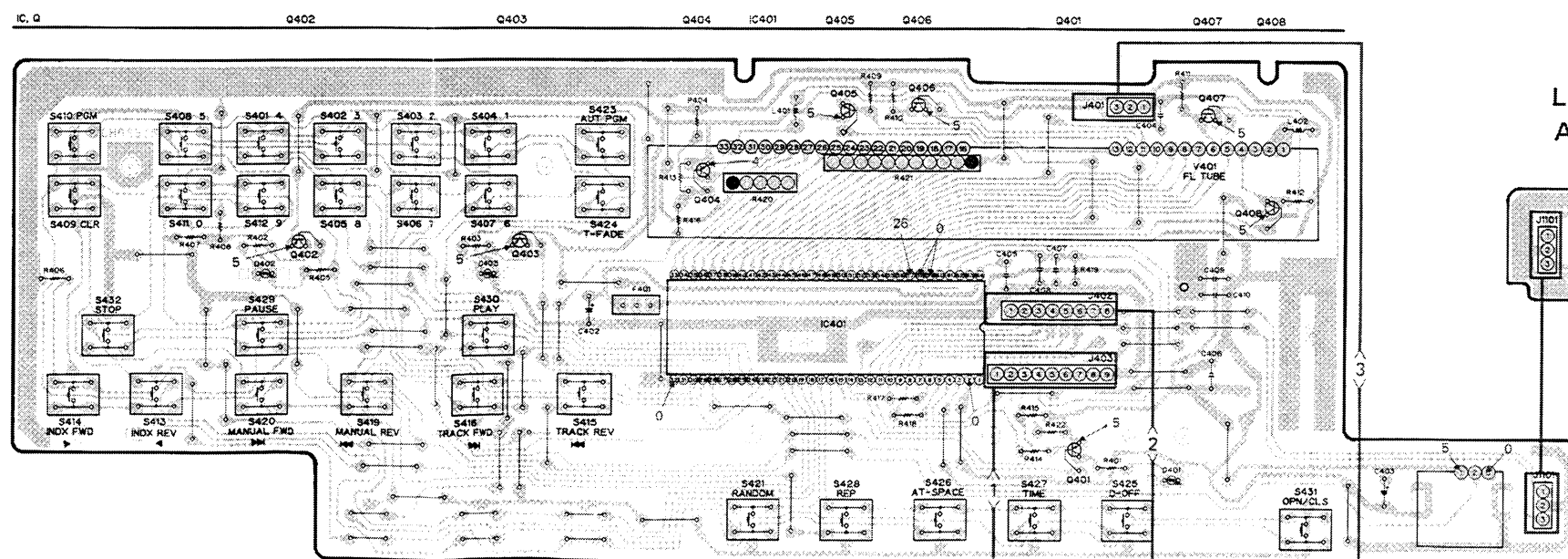
LOADING BOARD ASSEMBLY



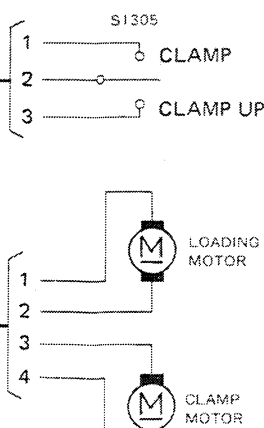
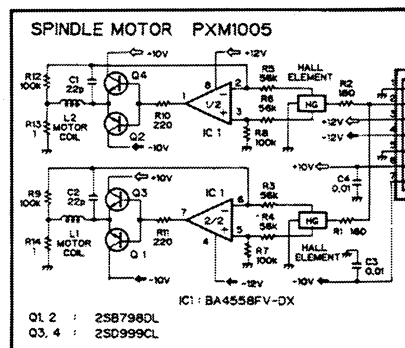
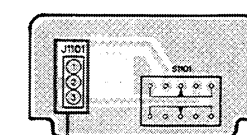
PICK UP ASS'Y



FUNCTION BOARD ASSEMBLY



LCCS BOARD ASSEMBLY



7

8

9

10

11

12

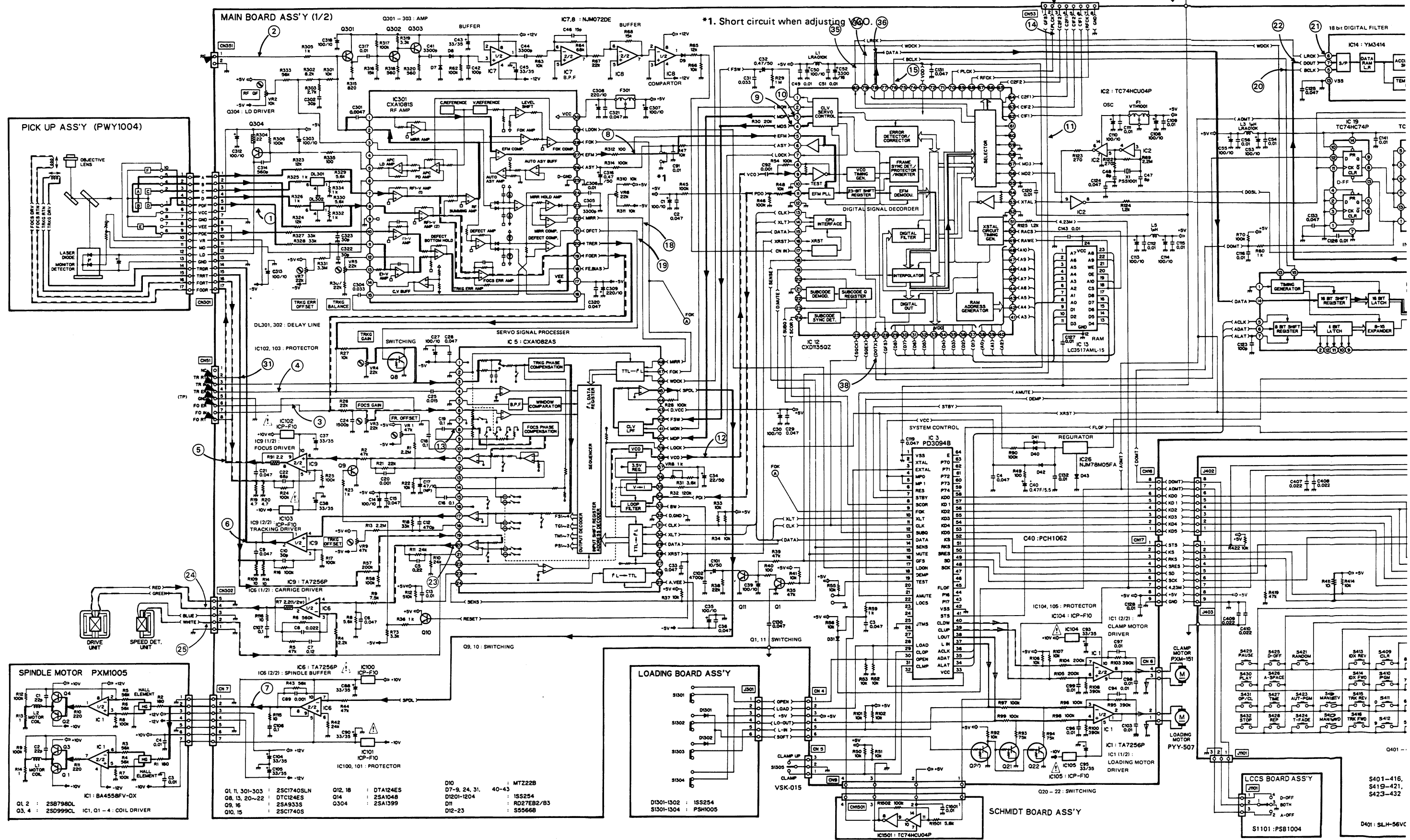
7. SCHEMATIC DIAGRAM

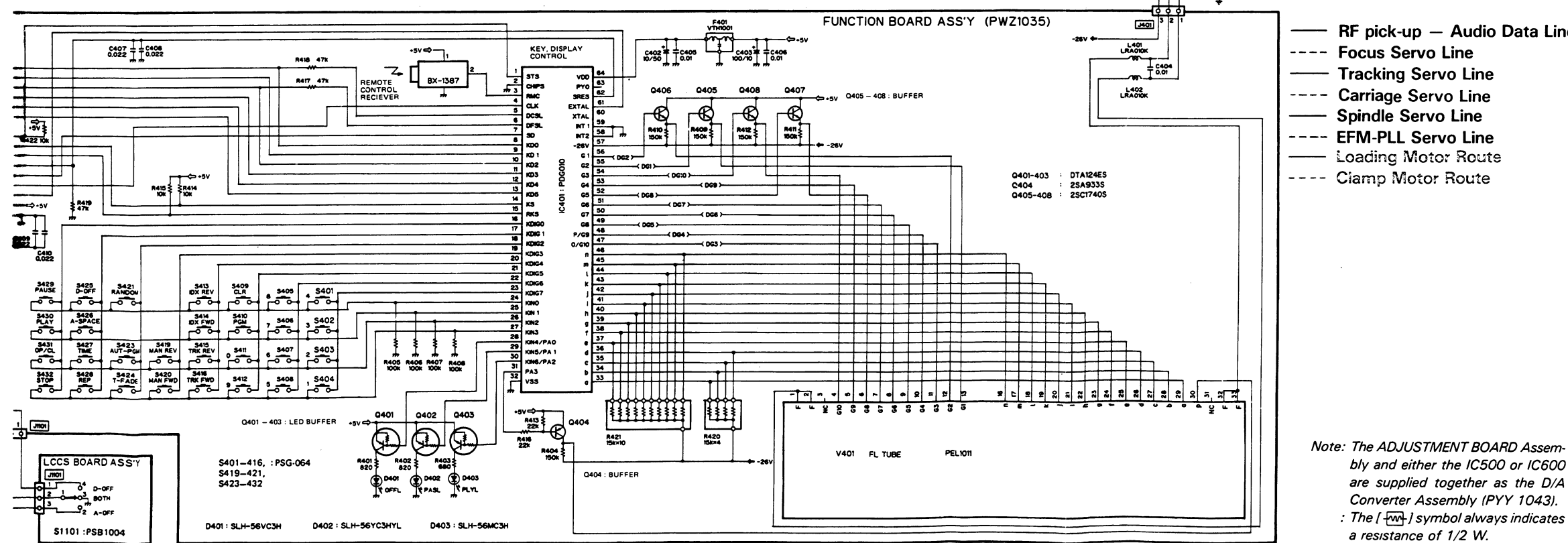
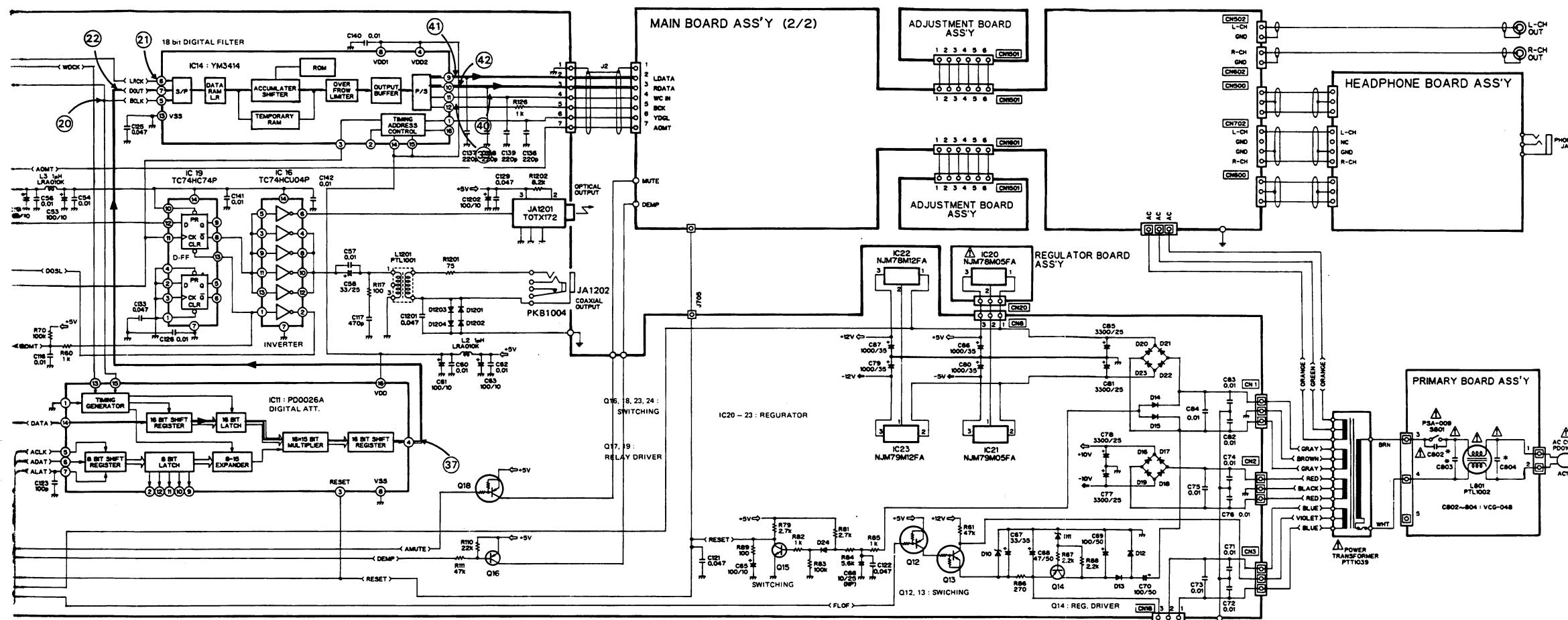
A

B

C

D





NOTE:

1. RESISTORS:
Indicated in Ω , 1/4 W, 1/6 W, 1/8 W, $\pm 5\%$ tolerance unless otherwise noted k; k Ω , M; M Ω , (F); $\pm 1\%$, (G); $\pm 2\%$, (K); $\pm 10\%$, (M); $\pm 20\%$ tolerance

2. CAPACITORS:
Indicated in capacity (μ F)/voltage (V) unless otherwise noted p; pF. Indication without voltage is 50V except electrolytic capacitor.

3. VOLTAGE
 ; DC voltage (V) at no input signal

4. OTHERS:
 ; Signal route.
 ; Adjusting point.
The Δ mark found on some component parts indicates the importance of the safety factor of the part. Therefore, when replacing, be sure to use parts of identical designation.
* marked capacitors and resistors have parts numbers.

This is the basic schematic diagram, but the actual circuit may vary due to improvements in design.

5. SWITCHES:

- FUNCTION BOARD ASSEMBLY
 S410-S412 : 1-10, PGM, CLEAR
 S413 : INDEX REV (◀◀)
 S414 : INDEX FWD (▶▶)
 S415 : TRACK REV (◀◀)
 S416 : TRACK FWD (▶▶)
 S419 : MANUAL REV (◀◀)
 S420 : MANUAL FWD (▶▶)
 S421 : RANDOM
 S423 : AUTO PGM EDIT
 S424 : TIME FADE EDIT
 S425 : DISPLAY OFF
 S426 : AUTO SPACE
 S427 : TIME
 S428 : REPEAT
 S429 : PAUSE (◻◻)
 S430 : PLAY (▶)
 S431 : OPEN/CLOSE
 S432 : STOP (◻)

- PRIMARY BOARD ASSEMBLY
 S801 : POWER ON — OFF
- LCSS BOARD ASSEMBLY
 S1101 : OUTPUT ANALOGUE — BOTH — DIGITAL
- LOADING BOARD ASSEMBLY
 S1301, S1302, S1303, S1304 : Loading position switch

	OPEN	CLOSE
S1301	ON	OFF
S1302	ON	OFF
S1303	OFF	ON
S1304	OFF	ON

OTHERS
 S1305 : CLAMP — CLAMP UP

The underlined indicates the switch position.

- RF pick-up — Audio Data Line
- - - Focus Servo Line
- Tracking Servo Line
- - - Carriage Servo Line
- Spindle Servo Line
- - - EFM-PLL Servo Line
- Loading Motor Route
- - - Clamp Motor Route

Note: The ADJUSTMENT BOARD Assembly and either the IC500 or IC600 are supplied together as the D/A Converter Assembly (PYY 1043).
 : The [] symbol always indicates a resistance of 1/2 W.

1 2 3 4 5 6

A

A

B

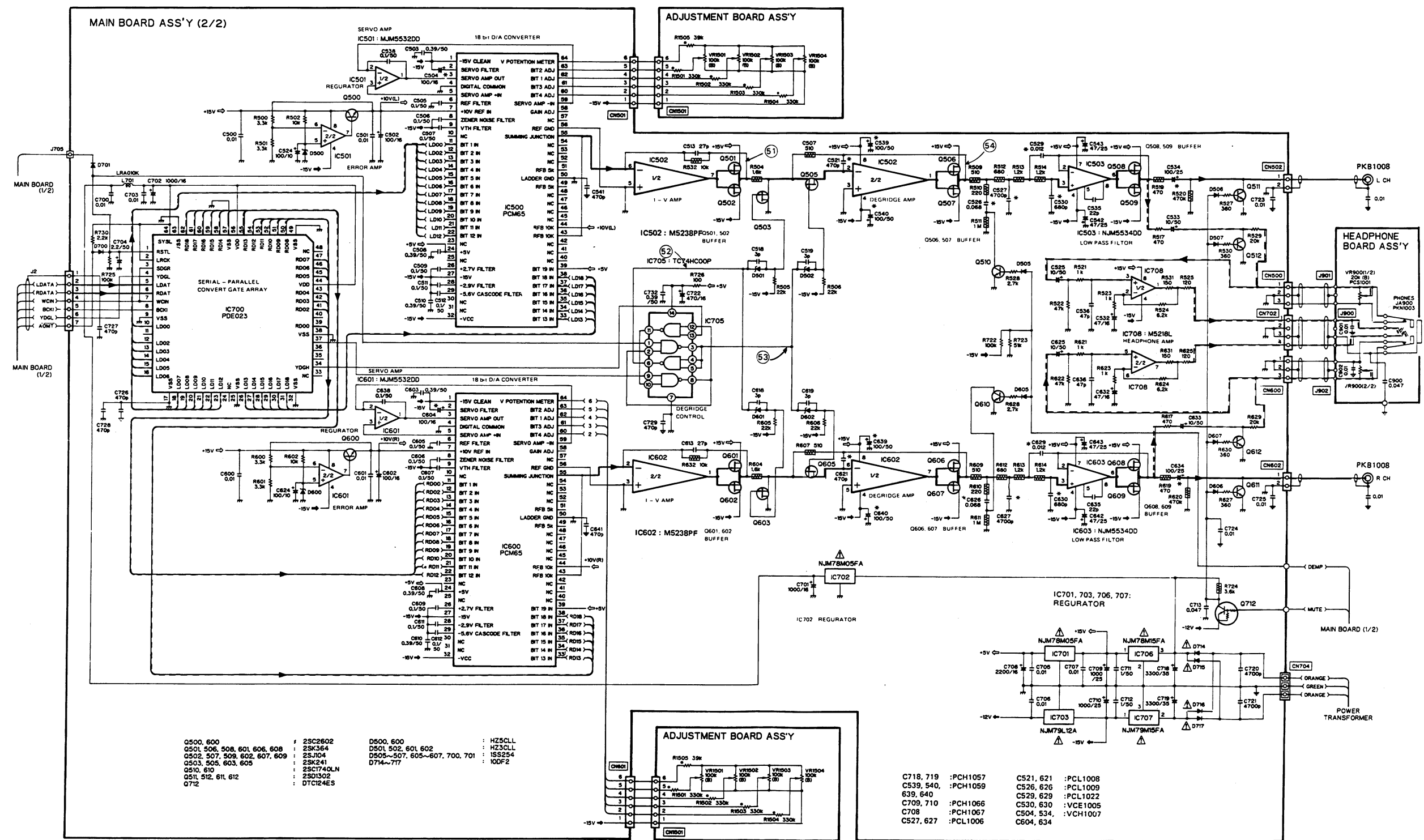
B

C

C

D

D



- Q500, 600 : 2SC2602
- Q501, 506, 508, 601, 606, 608 : 2SK364
- Q502, 507, 509, 602, 607, 609 : 2SJ304
- Q503, 505, 603, 605 : 2SK241
- Q510, 610 : 2SC1740LN
- Q511, 512, 611, 612 : 2SD1302
- Q712 : DTC124ES

- D500, 600 : HZ5CLL
- D501, 502, 601, 602 : HZ3CLL
- D505~507, 605~607, 700, 701 : ISS254
- D714~717 : 10DF2

- C718, 719 : PCH1057
- C539, 540 : PCH1059
- 639, 640 : PCH1066
- C709, 710 : PCH1067
- C708 : PCH1067
- C527, 627 : PCL1006

- C521, 621 : PCL1008
- C526, 626 : PCL1009
- C529, 629 : PCL1022
- C530, 630 : VCE1005
- C504, 534 : VCH1007
- C604, 634 : VCH1007

— Analog Audio Signal Line
 - - - Headphone Audio Signal Line
 — Serial Data Line
 - - - Parallel Data Line

1 2 3 4 5 6

8. ELECTRICAL PARTS LIST

- NOTES:**
- Parts without part number cannot be supplied.
 - Parts marked by "●" are not always kept in stock. Their delivery time may be longer than usual or they may be unavailable.
 - The Δ mark found on some component parts indicates the importance of the safety factor of the part. Therefore, when replacing, be sure to use parts of identical designation.
 - For your parts Stock Control, the fast moving items are indicated with the marks ★★ and ★.
 - ★★ **GENERALLY MOVES FASTER THAN ★**
 - This classification shall be adjusted by each distributor because it depends on model number, temperature, humidity, etc.
 - When ordering resistors, first convert resistance values into code form as shown in the following examples.
- Ex. 1** When there are 2 effective digits (any digit apart from 0), such as 560 ohm and 47k ohm (tolerance is shown by J = 5%, and K = 10%).
- | | | | | | | | |
|------|----------------------|----------|---------|---|---|---|---|
| 560Ω | 56 × 10 ¹ | 561..... | RD1/4PS | □ | □ | □ | J |
| 47kΩ | 47 × 10 ³ | 473..... | RD1/4PS | □ | □ | □ | J |
| 0.5Ω | 0R5..... | | RN2H | □ | □ | □ | K |
| 1Ω | 010..... | | RS1P | □ | □ | □ | K |

- Ex. 2** When there are 3 effective digits (such as in high precision metal film resistors).
- | | | | | | | | |
|--------|-----------------------|-----------|---------|---|---|---|---|
| 5.62kΩ | 562 × 10 ¹ | 5621..... | RN1/4SR | □ | □ | □ | F |
|--------|-----------------------|-----------|---------|---|---|---|---|

Miscellaneous Parts

P.C. BOARD ASSEMBLIES

Mark	Symbol & Description	Part No.
	Main board assembly	
	Primary board assembly	
	Regulator board assembly	
●	Function board assembly	PWZ1035
	Headphone board assembly	
	LCCS board assembly	
	Adjustment board assembly	
	Loading board assembly	
	Schmidt board assembly	

OTHERS

Mark	Symbol & Description	Part No.
	Pick-up assembly	PWY1004
	D/A converter assembly	PYY1043
Δ	Strain relief	CM-22C
Δ	AC power cord	PDG1002
Δ	★ Power transformer (AC120V)	PTT1039
Δ	Ceramic capacitor	CKDYF103Z50
	1P pin jack	PKB1008
★★	Spindle motor	PXM1005
★★	Motor assembly (LOADING)	PYY-507
★★	Leaf switch (OPEN/CLAMP)	VSK-015
★★	Motor assembly (CLAMP)	PXM-151

Main Board Assembly

SEMICONDUCTORS

Mark	Symbol & Description	Part No.
★★	IC301	CXA1081S
★★	IC5	CXA1082AS
★★	IC12	CXD1135QZ
Δ	★★ IC100 - IC105	ICP-F10
★★	IC13	LC3517AML-15

Mark	Symbol & Description	Part No.
★★	IC708	M5218L
★★	IC502, IC602	M5238PF
★★	IC7, IC8	NJM072DE
★★	IC501, IC601	NJM5532DD
★★	IC503, IC603	NJM5534DD
Δ	★★ IC26, IC701, IC702	NJM78M05FA
Δ	★★ IC22	NJM78M12FA
Δ	★★ IC706	NJM78M15FA
Δ	★★ IC703	NJM79L12A
Δ	★★ IC21	NJM79M05FA
Δ	★★ IC23	NJM79M12FA
Δ	★★ IC707	NJM79M15FA
★★	IC700	PDE023
★★	IC11	PD0026A
★★	IC3	PD3094B
★★	IC1, IC6, IC9	TA7256P
★★	IC2, IC16	TC74HCU04P
★★	IC705	TC74HC00P
★★	IC19	TC74HC74P
★★	IC14	YM3414
★★	Q12, Q18	DTA124ES
★★	Q8, Q13, Q20 - Q22, Q712	DTC124ES
Δ	★★ Q14	2SA1048
★★	Q304	2SA1399
★★	Q9, Q16	2SA933S
★★	Q510, Q610	2SC1740LN
★★	Q10, Q15	2SC1740S
★★	Q1, Q11, Q301 - Q303	2SC1740SLN
★★	Q500, Q600	2SC2602
★★	Q511, Q512, Q611, Q612	2SD1302
★★	Q502, Q507, Q509, Q602, Q607, Q609	2SJ104
★★	Q503, Q505, Q603, Q605	2SK241
★★	Q501, Q506, Q508, Q601, Q606, Q608	2SK364

Mark	Symbol & Description	Part No.
★	D501, D502, D601, D602	HZ3CLL
★	D500, D600	HZ5CLL
★	D10	MTZ22B
★	D11	RD27EB2 (RD27EB3)

Mark	Symbol & Description	Part No.
Δ	★ D12 - D23	S5566B
★	D7 - D9, D24, D31, D40 - D43, D505 - D507, D605 - D607, D700, D701, D1201 - D1204	1SS254
Δ	★ D714 - D717	10DF2

COILS AND FILTERS

Mark	Symbol & Description	Part No.
	L1 - L3, L5, L701 (1μH)	LRA010K
	L1201	PTL1001
	F1, F301 3 terminal filter	VTH1001

CAPACITORS

Mark	Symbol & Description	Part No.
	C47, C48	CCCCH080D50
	C10, C302, C322, C323	CCCCH300J50
	C42, C123	CCCCL101J50
	C46	CCCCL150J50
	C136	CCCCL221J50
	C117	CCCCL471J50
	C314	CCCCL561J50
	C22	CCCCL680J50
	C137 - C139	CCDSL221J50
	C66	CEANP100M25
	C17	CEANP470M10
	C32, C316	CEASR47M50
	C101	CEAS100M50
	C1, C14, C27, C30, C35, C39, C50, C53, C55, C61, C63, C65, C108, C110, C113, C114, C303, C307, C312, C313, C318, C1202	CEAS101M10
Δ	C69	CEAS101M50
Δ	C70	CEAS101M50
	C34	CEAS220M50
	C308, C309	CEAS221M10
	C37, C38, C43, C45, C67, C88, C90, C93, C95, C104, C105	CEAS330M35
	C52	CEAS332M16
	C68	CEAS470M50
	C701, C702	CENA102M16
	C79, C80, C86, C87	CENA102M35
	C77, C78	CENA332M25
Δ	C81, 85	CENA332M25
	C542, C543, C642, C643	CENA470M25
	C525, C533, C625, C633	CEYA100M50
	C704	CEYA2R2M50
	C58	CEYA330M25

Mark	Symbol & Description	Part No.
	C532, C632	CEYA470M16
	C524, C624	CEZA101M10
	C502, C602	CEZA101M16
	C722	CEZA471M16
	C57, C500, C501, C600, C601, C700, C703, C705 - C707, C723 - C725	CFTXA103J50

Mark	Symbol & Description	Part No.
	C505 - C507, C509, C511, C512, C538, C605 - C607, C609, C611, C612, C638	CFTXA104J50
	C711, C712	CFTXA105J50
	C503, C508, C510, C603, C608, C610	CFTXA394J50

Mark	Symbol & Description	Part No.
	C541, C641, C726 - C729	CFTXA471J50
	C713	CFTXA473J50
	C13, C49, C51, C54, C56, C60, C62, C71 - C73, C94, C96 - C99, C103, C109, C111, C112, C115, C116, C120, C126 - C128, C132	CKCYF103Z50

Mark	Symbol & Description	Part No.
Δ	C74 - C76, C82 - C84	CKCYF103Z50
	C2 - C4, C9, C15, C21, C28, C29, C33, C36, C119, C121, C122, C124, C125, C129 - C131, C320, C321, C1201	CKCYF473Z50

Mark	Symbol & Description	Part No.
	C140 - C143, C730	CKDYF103Z50
	C133	CKDYF473Z50
	C518, C519, C618, C619	CMA030D500
	C535, C635	CMA220J500
	C513, C613	CMA270J500

Mark	Symbol & Description	Part No.
	C536, C636	CMA470J500
	C20, C89, C92	CQMA102J50
	C91, C306, C317	CQMA103J50
	C16, C18, C19, C106, C107	CQMA104J50
	C7	CQMA124J50

Mark	Symbol & Description	Part No.
	C24	CQMA152J50
	C25	CQMA153J50
	C8	CQMA223J50
	C5	CQMA224J50
	C41, C44, C305	CQMA332J50

Mark	Symbol & Description	Part No.
	C31, C304	CQMA333J50
	C12	CQMA471J50
	C102, C301	CQMA472J50
	C6	CQMA473J50
Δ	C720, C721	CQSF472J125

Mark	Symbol & Description	Part No.
Δ	C718, C719 (3300μF/35V)	PCH1057
	C539, C540, C639, C640 (100μF/50V)	PCH1059
	C40 (0.47F/5.5V)	PCH1062
	C709, C710 (1000μF/25V)	PCH1066
	C708 (2200μF/16V)	PCH1067

Mark	Symbol & Description	Part No.
	C527, C627 (4700pF)	PCL1006
	C521, C621 (470pF)	PCL1008
	C526, C626 (68000pF)	PCL1009
	C529, C629 (12000pF)	PCL1022
	C530, C630 (680pF)	VCE1005

Mark	Symbol & Description	Part No.
	C504, C534, C604, C634 (10μF/25V)	VCH1007

RESISTORS

Mark	Symbol & Description	Part No.
★	VR2 Semi-fixed (10kΩ)	VRTB6VS103
★	VR3 – VR7 Semi-fixed (2.2kΩ)	VRTB6VS223
★	VR1, VR9 Semi-fixed (47kΩ)	VRTB6VS473
★	VR8 Semi-fixed (1KΩ)	VRTS6VS102
	R519, R619	RDM1/2P471J
	R504, R507, R532, R604, R607, R632	RDM1/2P□□□F
	R509 – R514, R520, R609 – R614, R620, R724,	RDR1/2PM□□□J
	R500 – R502, R505, R506, R517, R521 – R525, R527 – R531, R600 – R602, R605, R606, R617, R621 – R625, R627 – R631, R722, R723, R725, R726, R730, R1201	RDR1/4PM□□□J
	R7, R91, R304	RD1/2PM□□□J
	R31	RN1/6PQ3601F
	Other resistors	RD1/6PM□□□J

OTHERS

Mark	Symbol & Description	Part No.
	JA1202 1P pin jack (DIGITAL OUT (COAXIAL))	PKB1004
	JA1201 Optical output unit (DIGITAL OUT (OPTICAL))	TOTX172
★	X1 Crystal resonator (16.9344MHz)	PSS1001
	DL301, D302 Delay line (200msec)	PTF1009 (PTF1012)

Primary Board Assembly

SWITCHES

Mark	Symbol & Description	Part No.
△ ★★	S801 Power switch	PSA-009

FILTER

Mark	Symbol & Description	Part No.
△	L801 Line filter	PTL1002

CAPACITORS

Mark	Symbol & Description	Part No.
△	C802 – C804 Ceramic capacitor (0.01μF/AC125V)	VCG-048

Regulator Board Assembly

SEMICONDUCTOR

Mark	Symbol & Description	Part No.
△ ★★	IC20	NJM78M05A

Function Board Assembly (PWZ1035)

SEMICONDUCTORS

Mark	Symbol & Description	Part No.
★★	IC401	PDG010
★★	Q401 – Q403	DTA124ES
★★	Q404	2SA933S
★★	Q405 – Q408	2SC1740S
★	D403 LED	SLH-56MC3H
★	D401 LED	SLH-56VC3H
★	D402 LED	SLH-56YC3HYL

SWITCHES

Mark	Symbol & Description	Part No.
★★	S401 – S416, S419 – S421,	PSG-064
★★	S423 – S432 Tact switch	
	(0 – 9, PGM, CLR, TRK. FWD, TRK. REV, IDX. FWD, IDX. REV, MAN. FWD, MAN. REV, T-FADE, AUT-PGM, RANDOM, REP., TIME, A-SPACE, D-OFF, PAUSE, PLAY, OP/CL, STOP)	

COILS AND FILTER

Mark	Symbol & Description	Part No.
	L401, L402 Coil (1μH)	LRA010K
	F401 3 terminal filter	VTH1001

CAPACITORS

Mark	Symbol & Description	Part No.
	C402	CEJA100M50
	C403	CEJA101M10
	C404 – C406	CKPUYF103Z25
	C407 – C410	CKPUYF223Z25

RESISTORS

Mark	Symbol & Description	Part No.
	R421 Resistor array (15kΩ x 10)	RA10S153J
	R420 Resistor array (15kΩ x 4)	RA4S153J
	Other resistors	RD1/6PM□□□J

OTHERS

Mark	Symbol & Description	Part No.
★	V401 Fluorescent tube Remote sensor unit	PEL1011 BX-1387

Headphone Board Assembly

CAPACITORS

Mark	Symbol & Description	Part No.
	C900	CKCYF473Z50
	C901, C902	CKDYF103Z50

RESISTORS

Mark	Symbol & Description	Part No.
★	VR900 Variable resistor (20kΩ) (PHONES LEVEL)	PCS1001

OTHERS

Mark	Symbol & Description	Part No.
	JA900 Headphone jack	PKN1003

LCCS Board Assembly

SWITCH

Mark	Symbol & Description	Part No.
★★	S1101 Rotary switch (OUTPUT)	PSB1004

Adjustment Board Assembly

RESISTORS

Mark	Symbol & Description	Part No.
★★	VR1501 – VR1504 Semi-fixed (100kΩ)	VRTS6HS104
	Other resistors	RD1/6PM□□□J

Roading Board Assembly

SEMICONDUCTORS

Mark	Symbol & Description	Part No.
★	D1301, D1302	1SS254

SWITCHES

Mark	Symbol & Description	Part No.
★★	S1301 – S1304 Slide switch (DISC POSITION)	PSH1005

D/A Converter Assembly (PYY1043)

This assembly includes either the IC500 or IC600 D/A Converter IC and Adjustment Board Assembly.

Note) The VR on the Adjustment Board Assembly has been set at the factory. Under no circumstances attempt to re-adjust it.

Schmidt Board Assembly

SEMICONDUCTOR

Mark	Symbol & Description	Part No.
★★	IC1501	TC74HCU04P

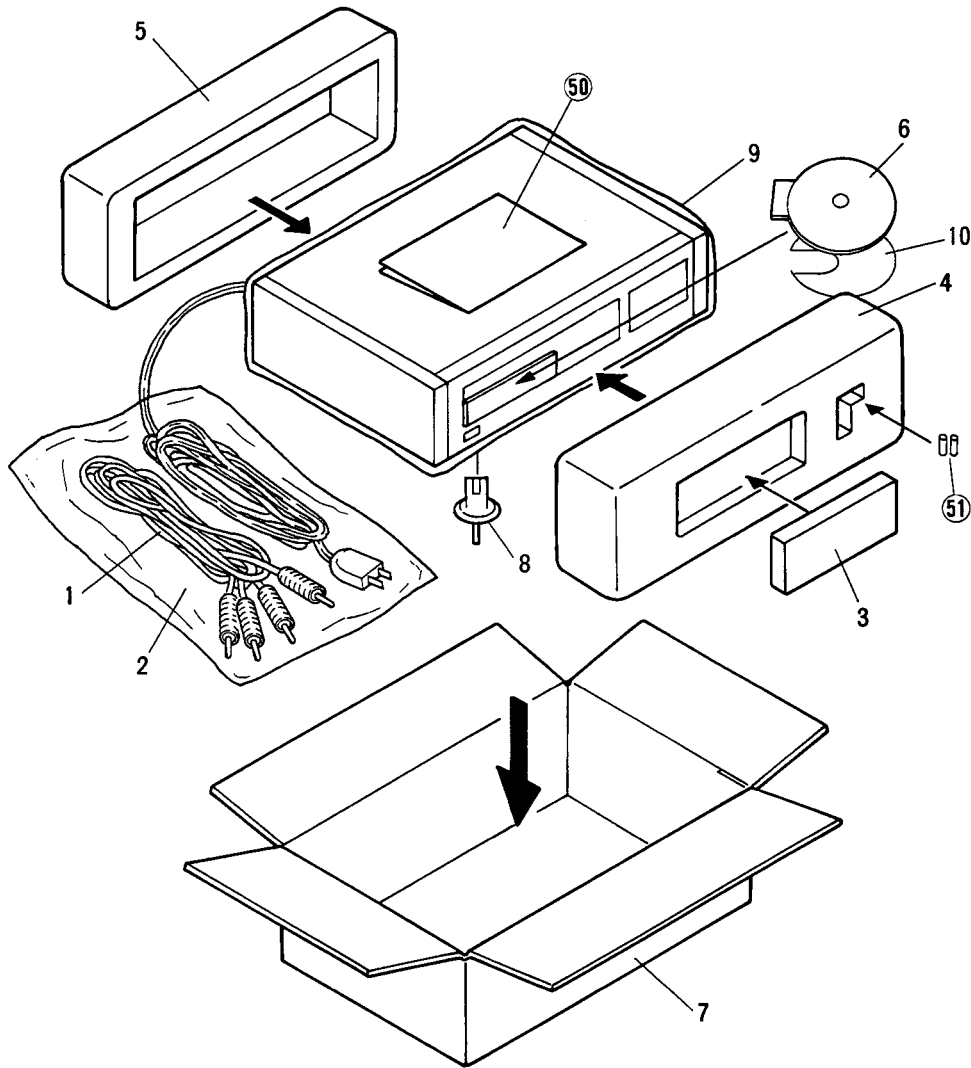
CAPACITOR

Mark	Symbol & Description	Part No.
	C1501	CKCYF103Z50

RESISTORS

Mark	Symbol & Description	Part No.
	All resistors	RD1/6PM□□□J

9. PACKING



Parts List of Packing

Mark	No.	Part No.	Description
	1.	PDE1003	Audio cord
	2.	Z21-013	Polyethylene bag
	3.	PWW1017	Remote control unit
	4.	PHA1040	Protector (F)
	5.	PHA1041	Protector (R)
	6.	PHC1018	Spacer (IN TRAY)
	7.	PHG1152	Packing case
	8.	PNW1236	Clamp knob
	9.	PHL1003	Sheet
	10.	PHC1022	Sheet
	50.		Operating instructions (English)
	51.		Battery UM-4

10. ADJUSTMENTS

A full list of adjustments is given below. Perform adjustments in the order in which they are given on the list.

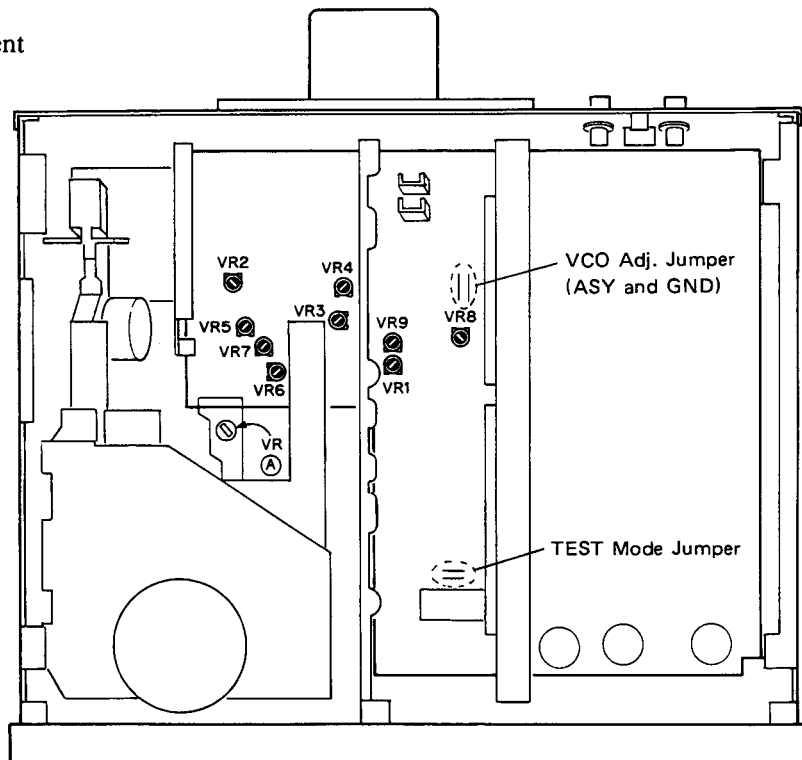
• List of Adjustments

1. Tracking offset, focus offset and RF offset adjustments
2. Tracking return offset and focus return offset adjustments
3. LD (laser pick-up) power check
4. Focus lock, spindle lock checks
5. Grating adjustment
6. Tracking balance adjustment
7. Tangential adjustment
8. Radial adjustment
9. RF level check
10. Focus gain adjustment
11. Tracking gain adjustment
12. VCO Free run frequency adjustment
13. Focus Error Check

• Measurement Devices Required

1. Dual trace oscilloscope
2. Optical power meter
3. Test disc (YEDS7)
4. Focus and tracking adjustment filters
5. Loop gain adjustment bandpass filter
6. Signal generator
7. Grating driver
8. Other regular measuring equipment

Note) The VR on the Adjustment Board Assembly has been set at the factory. Under no circumstances attempt to re-adjust it.



Location of Adjustment Screws

• The Test Mode

Adjustments are to be made while the unit is in the Test Mode.

How to Get In and Out of the Test Mode

- ① With the Test Mode jumper short-circuited, turn the POWER SW to ON.
- ② Activating either MANUAL SEARCH FWD [▶▶] or REV [◀◀] will then put the unit into the Test Mode.
- ③ To exit the Test Mode turn the POWER SW to OFF.

In the Test Mode the CD player operating keys will have the functions designated in Table 10-1.

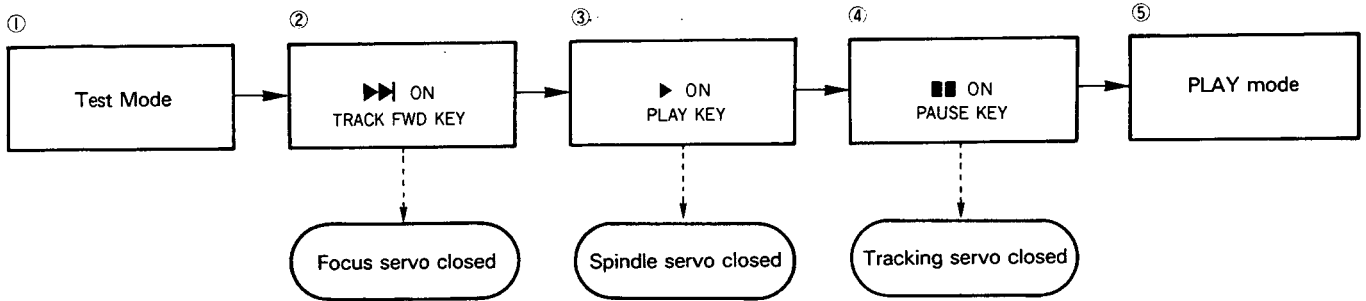
• Names of Adjustment VRs

- VR1 : Focus return offset (FR. OF)
- VR2 : RF offset (RF. OF)
- VR3 : Focus gain (FO. GA)
- VR4 : Tracking gain (TR. GA)
- VR5 : Tracking balance (TR. BL)
- VR6 : Focus offset (FO. OF)
- VR7 : Tracking offset (TE. OF)
- VR8 : VCO frequency (VCOA)
- VR9 : Tracking return offset (TR. OF)

In the Test Mode each servo can be independently opened and closed. Consequently, to return to normal PLAY mode, each servo has to be closed in the right order (serial sequence) before PLAY mode can be reset.

Remember that once you are in the Test Mode, simply pressing the PAUSE key [■■] will not put the unit back into PLAY mode.

For instance, in order to go from STOP to PLAY mode:



* The servos are to be operated in serial sequence when in the Test Mode.

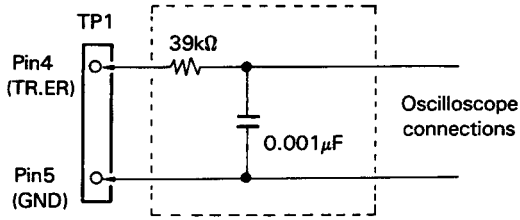
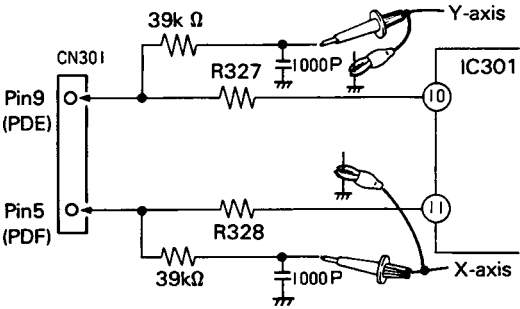
● Control Key Functions When CD Player is in Test Mode

Symbol	Key Name	Test Mode Function	Explanation
◀◀	TRACK BACK	Turns laser diode on	The laser diode will light up.
▶▶	TRACK FWD	Focus servo closed	The laser diode will light up, the focus actuator is moved UP/DOWN and the focus servo is closed.
▶	PLAY	Spindle servo closed	After the spindle motor starts turning, the servo is closed in the CLV-H mode.
■■	PAUSE	Tracking servo closed/open	Operates as a toggle switch. When pressed once the tracking servo is closed and the unit goes into PLAY mode. However, since the focus and spindle servos are closed, the PAUSE indicator will light up. When pressed a second time the tracking servo is opened.
◀◀	MANUAL SERCH REV	Carriage reverse (from outer to inner tracks)	Rapidly moves the carriage towards the innermost disc tracks at a speed of 1 cm/sec. There is no automatic carriage STOP when the carriage reaches the innermost track so be careful not to move the carriage too far.
▶▶	MANUAL SERCH FWD	Carriage forward (from inner to outer tracks)	Rapidly moves the carriage toward the outer disc tracks at a speed of 1 cm/sec. There is no automatic carriage STOP when the carriage reaches the outermost track, so be careful not to move the carriage too far.
□	REPEAT	Lens moved UP/DOWN	The laser diode lights up, the focus actuator is moved UP/DOWN, but the focus servo is not closed.
■	STOP	Stop	All servos are stopped and reset to initial status.
▲	OPEN/CLOSE	Disc tray opened/closed	Opens and closes disc tray. However, the pick-up does not return to rest position when the tray is open. Closing the tray has no effect on the pick-up either.

Table 10-1

Step No.	Oscilloscope Range		Test Point	Adjustment Point	Verification Item/Adjustment Specification	Adjustment Operation Sequence
	V	H				
1	TRACKING OFFSET, FOCUS OFFSET AND RF OFFSET ADJUSTMENTS					
			TP1 Pin4 (TR.ER)	VR7 (TE.OF)	0V ± 50mV	<ul style="list-style-type: none"> Set the CD player to Test Mode. (Refer to page 44) Adjust VR7 (TE.OF : Tracking Error Offset) so that TP1 Pin 4 (TE : Tracking Error) registers a voltage of 0V ± 50mV.
			TP1 Pin6 (FO.ER)	VR6 (FO.OF)	0V ± 50mV	<ul style="list-style-type: none"> Adjust VR6 (FO.OF : Focus Error Offset) so that TP1 Pin 6 (FO.ER : Focus Error) registers a voltage of 0V ± 50mV.
			TP301 Pin1 (RF)	VR2 (RF.OF)	100mV ± 50mV	<ul style="list-style-type: none"> Adjust VR2 (RF.OF : RF Offset) so that TP301 Pin 1 RF output voltage registers 100mV ± 50mV.
2	TRACKING RETURN OFFSET AND FOCUS RETURN OFFSET ADJUSTMENTS					
			TP1 Pin2 (TR.RT)	VR9 (TR.OF)	0V $\begin{smallmatrix} +20 \\ -10 \end{smallmatrix}$ mV	<ul style="list-style-type: none"> Set the CD player to Test Mode. (Refer to page 44) Adjust VR9 TR.OF (Tracking Return Offset) so that TP1 Pin 2 TR.RT (Tracking Return) registers a voltage of 0V $\begin{smallmatrix} +20 \\ -10 \end{smallmatrix}$ mV.
			TP1 Pin8 (FO.RT)	VR1 (FR.OF)	35mV ± 17.5mV	<ul style="list-style-type: none"> Adjust VR1 FR.OF (Focus Return Offset) so that TP1 Pin 8 FO.RT (Focus Return) registers a voltage of 35mV ± 17.5mV.
3	LD (LASER DIODE) POWER CHECK					
				VR (A)	Standard Specification: Under 0.13mW	<ul style="list-style-type: none"> Set the CD player to Test Mode. (Refer to page 44) Press the TRACK BACK key (◀◀) to turn the LD (laser diode) ON. Place the optical power meter sensor directly above the objective lens and verify that LD power is at its proper specification level: 0.13mW ± 0.10mW. If LD power is not at its proper specification level, adjust the VR for LD power control, VR (A).

Step No.	Oscilloscope Range		Test Point	Adjustment Point	Verification Item/Adjustment Specification	Adjustment Operation Sequence
	V	H				
4	FOCUS LOCK AND SPINDLE LOCK CHECK					
	V 0.5/div	H 100msec /div	TP301 Pin1 (RF Output)		RF output generated Normal rotation	<ul style="list-style-type: none"> • Load the test disc into the player. • Set the CD Player to Test Mode. (Refer to page 44) • Use the MANUAL SEARCH FWD key [▶▶] to move the pick-up to the center of the disc. This operation must be performed! • Observe RF output from TP301 Pin 1 RF with an oscilloscope. Then, after pressing the TRACK FWD key [▶▶▶], verify whether or not an RF signal is being output. • Press the PLAY key and verify that the disc is rotating clockwise and at normal speed (disc rotational speed near the center is about 300 RPMs).

Step No.	Oscilloscope Range		Test Point	Adjustment Point	Verification Item/Adjustment Specification	Adjustment Operation Sequence
	V	H				
5-1	GRATING ADJUSTMENT (1) (WITH $\phi 80$ DISC)					
	1V/div	5ms/div	TP1 Pin4 (TR.ER)	Grating	Null point	<ul style="list-style-type: none"> • Load the test disc into the player. ($\phi 80$) • Set the CD player to Test Mode. (Refer to page 44.) • Press the TRACK FWD key [▶▶] and then the PLAY key [▶] in that order to close the focus and spindle servos. (The tracking servo is left open.) • Use the MANUAL SEARCH FWD KEY [▶▶] to move the pick-up to the outermost circumference of the $\phi 80$ disc. By moving the pick-up to this position, the Grating Adjustment Screw becomes accessible with a screwdriver from above. (See Fig. 10-3) • Observe the waveform output by TP1 Pin 4 TR.ER (Tracking Error) in the oscilloscope. Insert a low pass filter with a cutoff of 4kHz. (See Fig. 10-2.) • Use a screwdriver to rotate the Grating Adjustment Screw until you find the null point waveform like that shown in Photograph 10-1.
	<div style="text-align: center;">L.P.F.</div>  <p style="text-align: center;">Fig. 10-2</p>					
	5mV/div	YX	X-axis R328 Y-axis R327	Grating Grating	Maximum amplitude Phase difference 180°	<ul style="list-style-type: none"> • Next, turn the screwdriver slowly clockwise from the null point until the first point where maximum amplitude of the waveform (tracking error signal) is reached. (See Photograph 10-3.) • Connect the X-axis of the oscilloscope to the CN301 (PDF) side of R328, the Y-axis to the CN301 (PDE) side of R327, and insert a low pass filter with a cutoff of 4kHz. Move the pick-up to the outermost track of the $\phi 80$ disc. The Lissajous figure should be more or less a single line. If it is not, adjust the grating until the Lissajous figure is a single line. (See Photographs 10-4,5.)
						

Step No.	Oscilloscope Range		Test Point	Adjustment Point	Verification Item/Adjustment Specification	Adjustment Operation Sequence
	V	H				
5-2 GRATING ADJUSTMENT (2) (WITH A DISC OF OVER 60 MIN. PLAYING TIME)						
	1V/div	5ms/div	TP1 Pin4 (TR.ER)	Grating	Null point	<ul style="list-style-type: none"> • Load the test disc into the player. • Set the CD player to Test Mode. (Refer to page 44.) • Press the TRACK FWD key [▶▶] and then the PLAY key [▶] in that order to close the focus and spindle servos. (The tracking servo is left open.) • Use the MANUAL SEARCH FWD KEY [▶▶] to move the pick-up to the outermost track of the test disc. By moving the pick-up to this position, the Grating Adjustment Screw becomes accessible with a screwdriver from above. (See Fig. 10-3) • Observe the waveform output by TP1 Pin 4 TR.ER (Tracking Error) in the oscilloscope. Insert a low pass filter with a cutoff of 4kHz. (See Fig. 10-2.) • Use a screwdriver to rotate the Grating Adjustment Screw until you find the null point waveform like that shown in Photograph 10-1.
<div style="text-align: center;"> <p>Fig. 10-2</p> </div>						
				Grating	Maximum amplitude	<ul style="list-style-type: none"> • Next, turn the screwdriver slowly clockwise from the null point until the first point where maximum amplitude of the waveform (tracking error signal) is reached. (See Photograph 10-3.)
	5mV/div	5ms/div	X-axis R328 Y-axis R327	Grating	Phase difference 0°	<ul style="list-style-type: none"> • Connect the X-axis of the oscilloscope to the CN301 (PDF) side of R328, the Y-axis to the CN301 (PDE) side of R327, apply the signal in AC-coupled mode and move the pick-up to the center of the disc. The Lissajous figure at this time should be more or less a single line. If it is not, move the pick-up back to the outermost circumference and adjust the grating until the Lissajous figure is a single line. (See Photographs 10-4,5.)

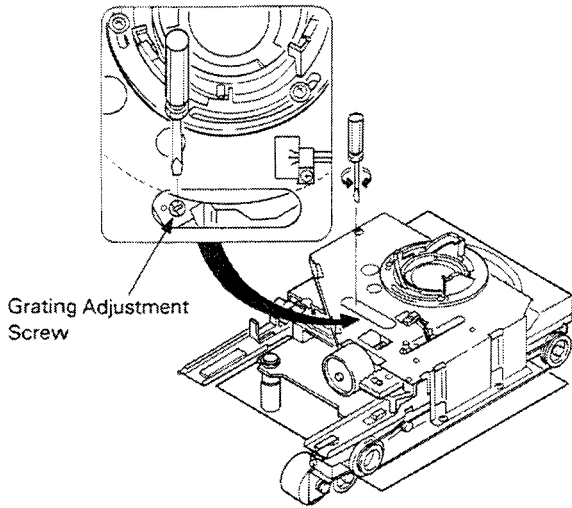
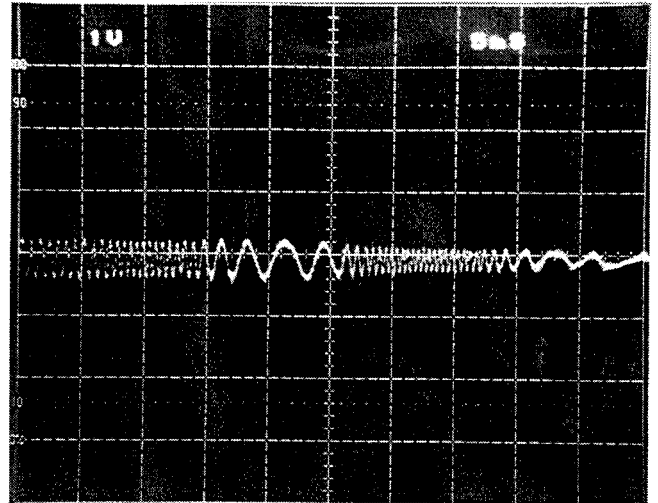
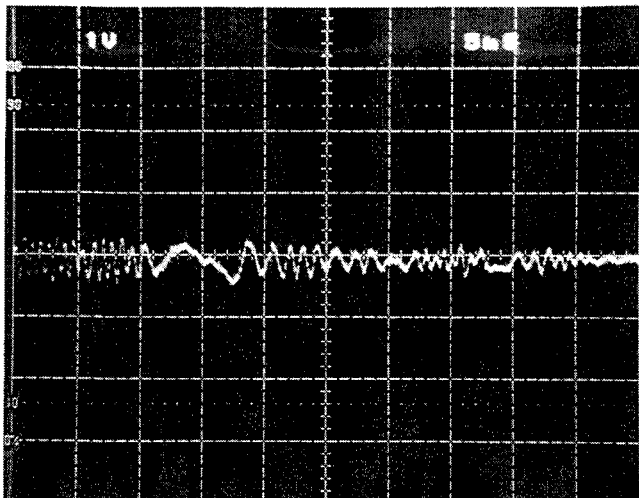


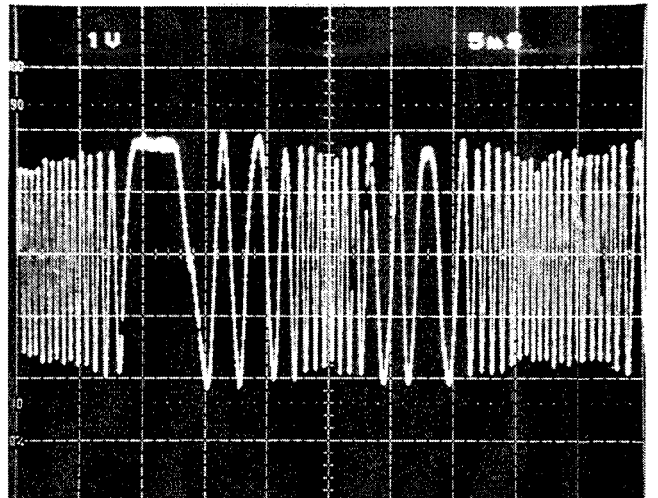
Fig. 10-3 Grating Adjustment



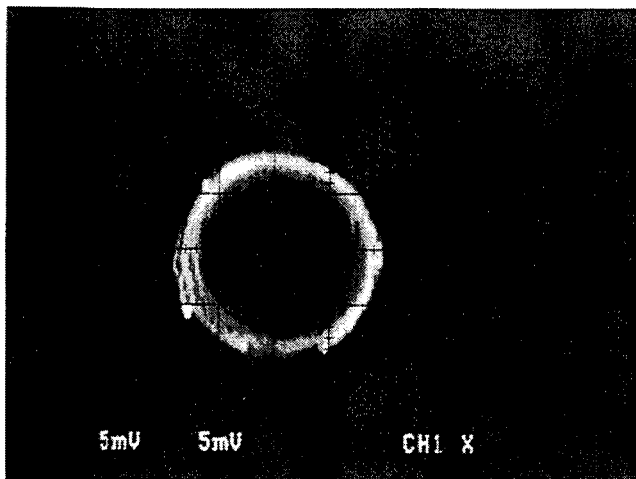
Photograph 10-1 Null Point waveform



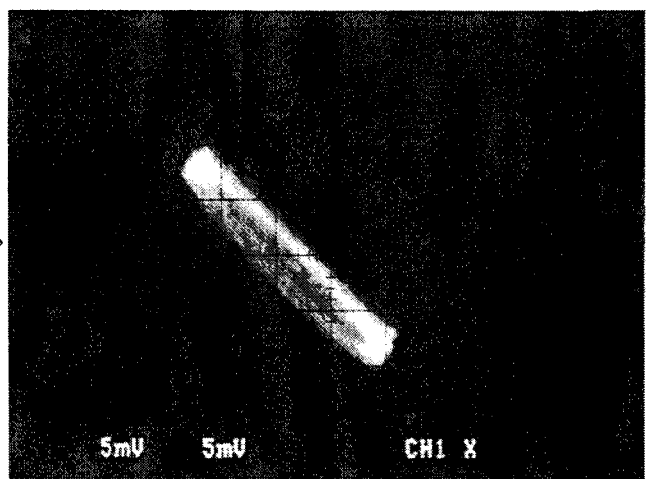
Photograph 10-2 Waveform off Null Point



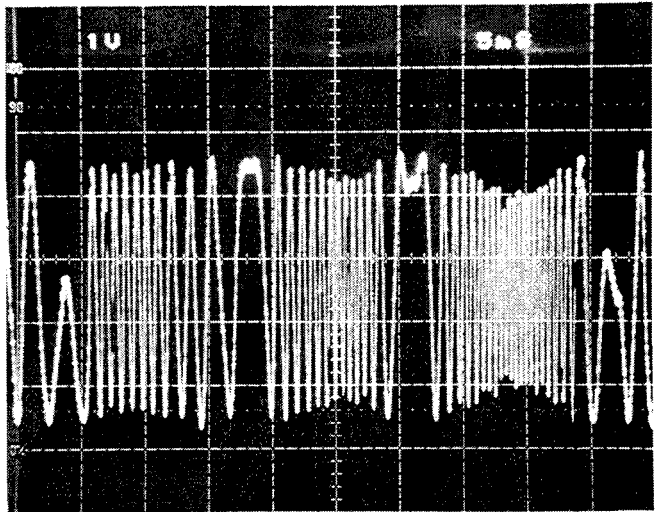
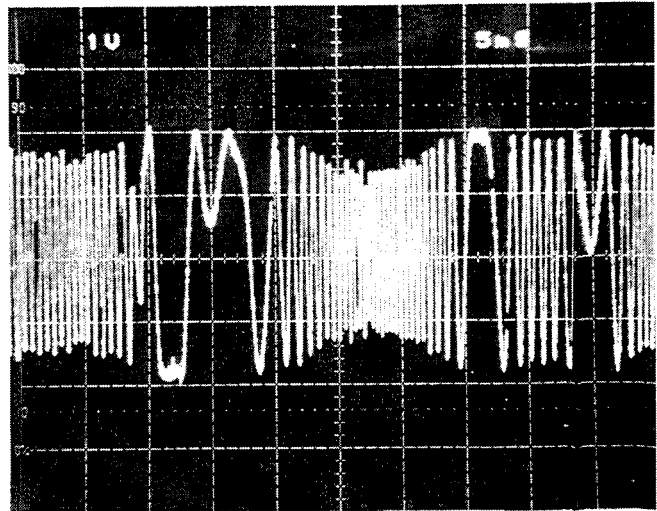
Photograph 10-3 Maximum Amplitude



Photograph 10-4



Photograph 10-5

Step No.	Oscilloscope Range		Test Point	Adjustment Point	Verification Item/Adjustment Specification	Adjustment Operation Sequence
	V	H				
6	TRACKING BALANCE ADJUSTMENT					
	0.5V/div	5msec/div	TP1 Pin4 (TR.ER)	VR5 (TR.BL)		<ul style="list-style-type: none"> • Load the test disc into the player. • Set the CD player to Test Mode. (Refer to page 44.) • Use the MANUAL SEARCH FWD key [▶▶] to move the pick-up to the center of the disc. • Press the TRACK FWD key [▶▶], then the PLAY key [▶] to start disc rotation. • Observe the waveform output by TP1 Pin 4 TR.ER (Tracking Error) in the oscilloscope. Adjust VR5 TR.BL (Tracking Balance) so that all DC components are eliminated from the signal.
						 <p>Photograph 10-6 Signal with DC Components</p>  <p>Photograph 10-7 Signal without DC Components</p>

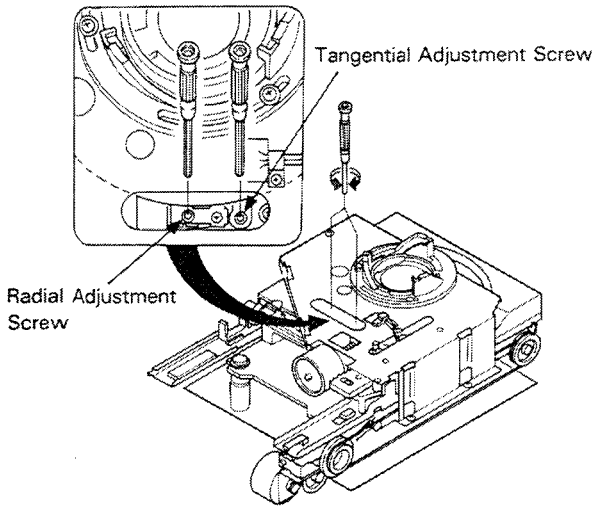
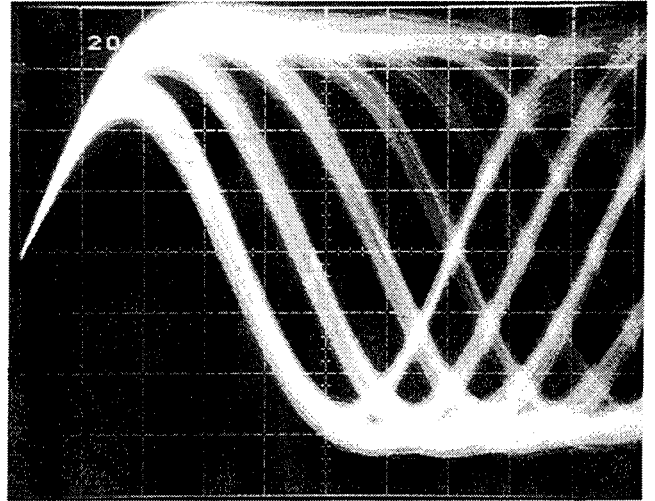
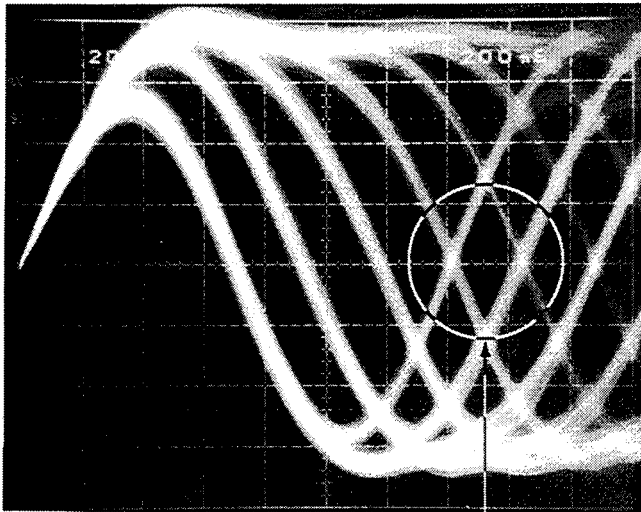


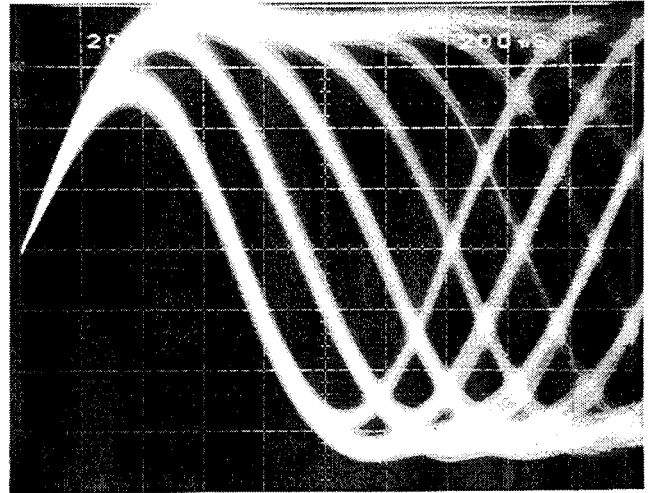
Fig. 10-5 Tangential Adjustment



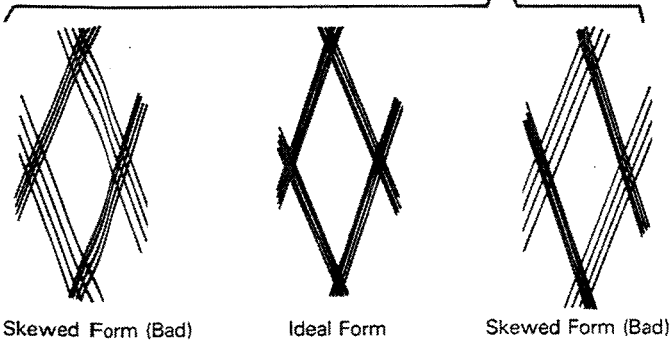
Photograph 10-9



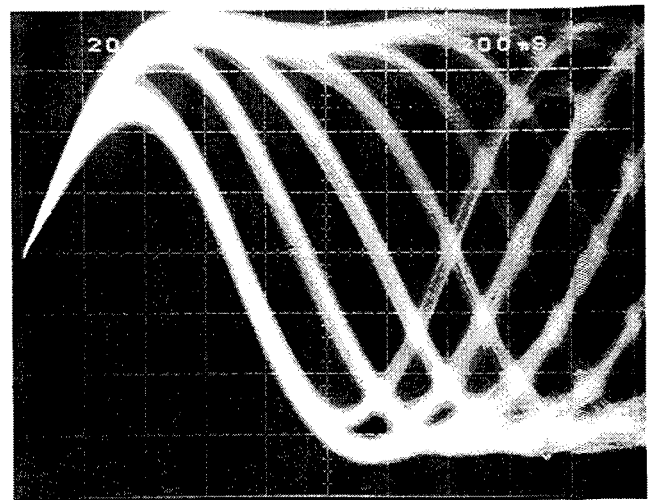
What to look for



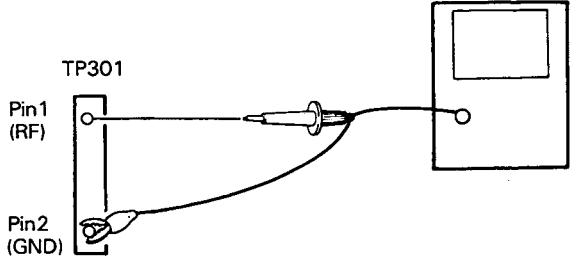
Photograph 10-10



Photograph 10-8



Photograph 10-11

Step No.	Oscilloscope Range		Test Point	Adjustment Point	Verification Item/Adjustment Specification	Adjustment Operation Sequence
	V	H				
7	TANGENTIAL ADJUSTMENT					
			TP301 Pin1 (RF Output)	Tangential Adjustment Screw	Optimal crosshatch pattern	<ul style="list-style-type: none"> • Load the test disc into the player. • Set the CD player to Test Mode. (Refer to page 44.) • Use the MANUAL SEARCH FWD key [▶▶] to move the pick-up to the center of the disc. With the pick-up in this position the tangential adjustment screw becomes accessible from above. (See Fig. 10-5.) • Press the TRACK FWD key [▶▶], the PLAY key [▶] and then the PAUSE key [■] in that order to close all servos. (The PAUSE indicator will light up.) • Observe the waveform of RF output from the TP301 Pin 1 RF in the oscilloscope. Turn the tangential adjustment screw until the ideal single crosshatch pattern is achieved. (Fig. 10-5.) • The proper adjustment point is that point where any further turning of the tangential adjustment screw in either direction will degrade the crosshatch pattern. The aim is to achieve an overall good waveform pattern with crosshatch lines forming a single diamond shape (Photograph 10-8). At the proper adjustment point you should still be able to make out the relatively fine lines that form the diamond.
						 <p style="text-align: center;">Fig. 10-4</p>

Step No.	Oscilloscope Range		Test Point	Adjustment Point	Verification Item/Adjustment Specification	Adjustment Operation Sequence
	V	H				
8	RADIAL ADJUSTMENT					
			TP301 Pin1 (RF Output)	Radial Adjustment Screw	Optimal crosshatch pattern	<ul style="list-style-type: none"> • Load the test disc into the player. • Set the CD player to Test Mode. (Refer to page 44.) • Use the MANUAL SEARCH FWD key [▶▶] to move the pick-up to the center of the disc. With the pick-up in this position the radial adjustment screw becomes accessible from above. (See Fig. 10-5.) • Press the TRACK FWD key [▶▶], the PLAY key [▶] and then the PAUSE key [⏸] in that order to close all servos. (The PAUSE indicator will light up.) • Observe the waveform of RF output from the TP301 Pin 1 RF in the oscilloscope. Adjust the radial adjustment screw until the ideal single crosshatch pattern is achieved. (Fig. 10-5.) • The proper adjustment point is that point where any further turning of the radial adjustment screw in either direction will degrade the crosshatch pattern. The aim is to achieve an overall good waveform pattern with cross-hatch lines forming a single diamond shape (Photograph 10-8). At the proper adjustment point you should still be able to make out the relatively fine lines that form the diamond. • Be sure to perform the tangential and radial adjustments in turn more than twice.
						<p style="text-align: center;">Fig. 10-4</p>

Step No.	Oscilloscope Range		Test Point	Adjustment Point	Verification Item/Adjustment Specification	Adjustment Operation Sequence
	V	H				
9	RF LEVEL CHECK					
			TP301 Pin1 (RF)	Check	1.6V ± 0.1V	<ul style="list-style-type: none"> • Set the CD player to Test Mode. (Refer to page 44.) • Connect the oscilloscope probe to TP301 Pin 1 RF (RF Output). • With the test disc playing, measure the P-P voltage of the RF waveform to verify that it is at 1.6V ± 0.1V. • If the P-P voltage level is not at 1.6V ± 0.1V, adjust VR (A) until the voltage level is correct.
			TP301 Pin1 (RF)	VR (A)	1.6V ± 0.1V	

Step No.	Oscilloscope Range		Test Point	Adjustment Point	Verification Item/Adjustment Specification	Adjustment Operation Sequence
	V	H				
10	FOCUS GAIN ADJUSTMENT					
	CH1(X), CH2 (Y) 20mV/div, 5mV/div Probe 10:1		X-axis TP1 Pin7 (FO.IN) Y-axis TP1 Pin6 (FO.ER)	VR3 (FO.GA)	Phase Difference 90°	<ul style="list-style-type: none"> • With POWER OFF, connect oscilloscope and signal generator as shown in Fig. 10-6. • Set the CD player to Test Mode. (Refer page .44) • Press the TRACK FWD key [▶▶], the PLAY key [▶] and the PAUSE key [■] in that order to turn focus, spindle and tracking servos ON. • Turn the signal generator POWER ON and output a 1kHz signal at 1Vp-p. <p><i>Note: Some signal generators momentarily generate DC when they are turned on. For this reason, it is advisable to connect the oscilloscope only after signal generator POWER is ON.</i></p> <ul style="list-style-type: none"> • Adjust VR3 FO.GA (Focus Gain) so that the Lissajous figure on the oscilloscope becomes a perfect circle (Phase Difference 90°).

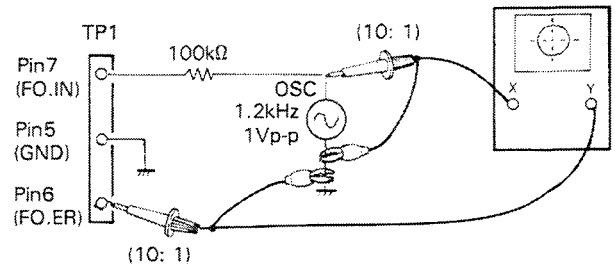
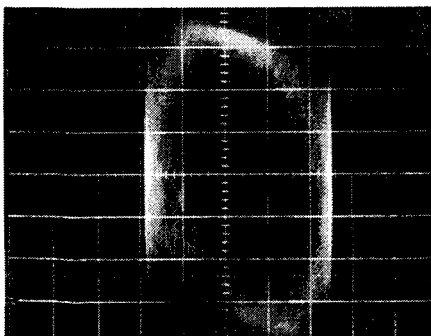
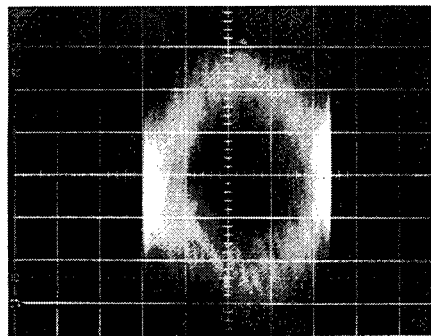


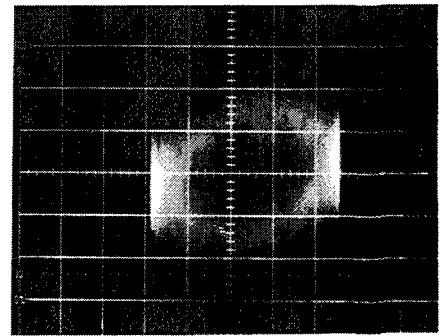
Fig. 10-6



Photograph 10-12 Gain too high



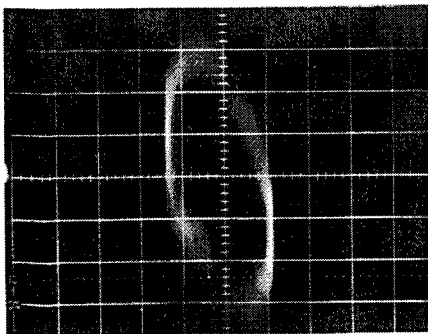
Photograph 10-13 Optimal gain



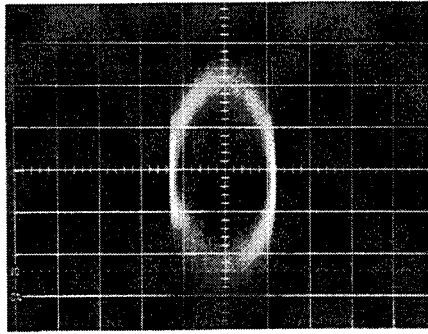
Photograph 10-14 Gain too low

Step No.	Oscilloscope Range		Test Point	Adjustment Point	Verification Item/Adjustment Specification	Adjustment Operation Sequence
	V	H				
11	TRACKING GAIN ADJUSTMENT					
	CH1(X), CH2 (Y) 50mV/div, 5mV/div Probe 10:1	X-axis TP1 Pin3 (FO.IN) Y-axis TP1 Pin4 (TR.ER)	VR4 (TR.GA)	Phase Difference 90°	<ul style="list-style-type: none"> With POWER OFF, connect oscilloscope and signal generator as shown in Fig. 10-7. Set the CD player to Test Mode. (Refer page 44.) Press the TRACK FWD key [▶▶], the PLAY key [▶] and the PAUSE key [■] in that order to turn focus, spindle and tracking servos ON. Turn the signal generator POWER ON and output a 1kHz signal at 2Vp-p. <p><i>Note: Some signal generators momentarily generate DC when they are turned on. For this reason, it is advisable to connect the oscilloscope only after signal generator POWER is ON.</i></p> <ul style="list-style-type: none"> Adjust VR4 TR.GA (Tracking Gain) so that the Lissajous figure on the oscilloscope becomes a perfect circle (Phase Difference 90°). 	

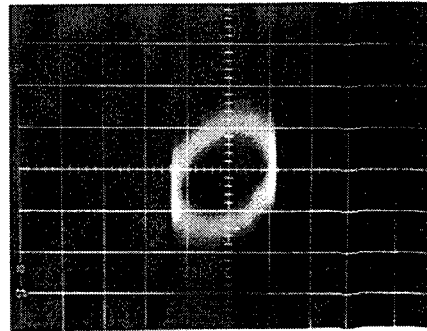
Fig. 10-7



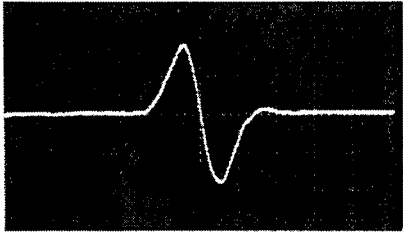
Photograph 10-15 Gain too high



Photograph 10-16 Optimal gain



Photograph 10-17 Gain too low

Step No.	Oscilloscope Range		Test Point	Adjustment Point	Verification Item/Adjustment Specification	Adjustment Operation Sequence
	V	H				
12	VCO FREE RUN FREQUENCY ADJUSTMENT					
			TP3 Pin2		Frequency 4.375MHz ± 0.05MHz	<ul style="list-style-type: none"> Set the CD player to Test Mode. (Refer page 44.) Short the ASY and GND jumpers with an alligator clip. Connect a frequency counter (10MHz range) to TP3 Pin 2. Adjust VR8 (VCO.A) until you get a 4.375MHz ± 0.05MHz reading on the frequency counter. <p><i>Note: Perform this adjustment while the CD player is in the STOP mode.</i></p>
13	FOCUS ERROR CHECK					
			TP1 Pin6 (FO.ER)	Check	Waveform	<ul style="list-style-type: none"> Set the CD player to Test Mode. (Refer page 44.) Connect TP1 Pin 7 FO.IN (Focus In) to GND. Press the TRACK FWD key and verify the waveform generated by TPI Pin 6 FO.ER (Focus Error) on the oscilloscope. <p style="text-align: center;">2V:Div 1mS:Div</p>  <p style="text-align: center;">S-shaped waveform generated by FO.ER</p>

10. RÉGLAGE

La liste complète des réglages est donnée ci-dessous. Effectuer les réglages dans l'ordre de cette liste.

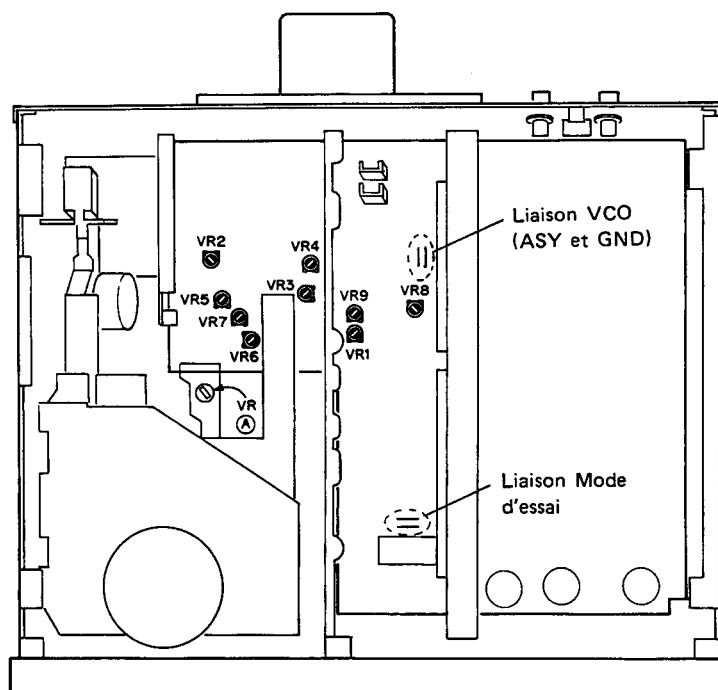
● Liste des réglages

1. Réglage de poursuite, réglage de focalisation et réglage du décalage radiofréquence.
2. Réglage du retour de poursuite et réglage du retour de focalisation
3. Vérification de la puissance de la diode laser
4. Vérification du calage de focalisation et du calage du moteur d'entraînement
5. Réglage du réseau optique
6. Réglage de l'équilibrage de la poursuite
7. Réglage tangentiel
8. Réglage radial
9. Réglage du niveau radiofréquence
10. Réglage du gain de la boucle de focalisation
11. Réglage du gain de la boucle de poursuite
12. Réglage de la fréquence d'oscillation libre du VCO
13. Vérification de l'erreur de focalisation

● Appareils de mesure requis

1. Oscilloscope double trace
2. Appareil de mesure de la puissance lumineuse
3. Disque d'essai (YEDS7)
4. Filtre pour le réglage de la focalisation et de la poursuite
5. Filtre passe-bande pour le réglage du gain de boucle
6. Générateur de fréquence
7. Tournevis pour réseau optique
8. Outillage habituel

Remarque: Les résistances variables (VR) du circuit du convertisseur D/A ont été réglées en usine. Ne tenter, en aucun cas, de modifier ces réglages.



Emplacement des points de réglage

● Mode essai

Les réglages doivent être effectués alors que l'appareil est en mode essai.

Comment venir en mode essai et comment le quitter

- ① Placer le cavalier de mode essai et mettre l'interrupteur général sur la position ON.
- ② L'appareil vient en mode essai lorsque l'on appuie sur MANUAL SEARCH FWD [▶▶] ou REV [◀◀].
- ③ Pour quitter le mode essai, placer l'interrupteur général sur OFF.

En mode essai, les touches du lecteur ont les fonctions énumérées au tableau 10-1.

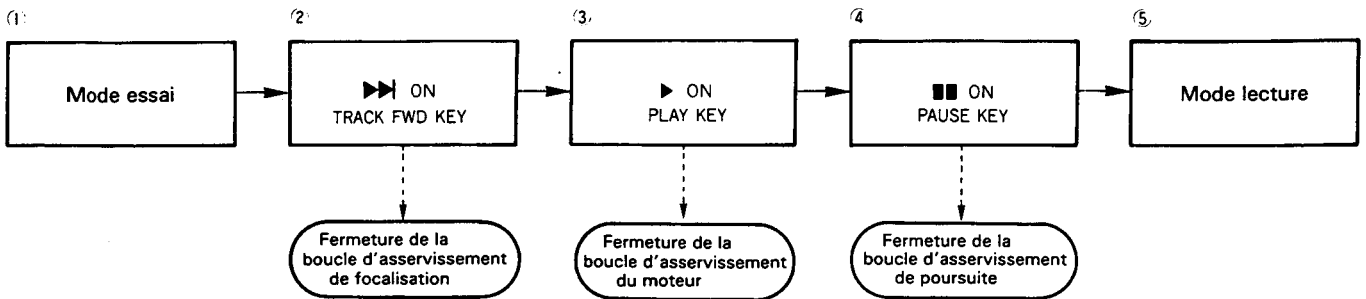
● Nom des résistances variables (VR)

- VR1: Décalage du retour de focalisation (FR. OF)
- VR2: Décalage radiofréquence (RF. OF)
- VR3: Gain de la boucle de focalisation (FO. GA)
- VR4: Gain de la boucle de poursuite (TR. GA)
- VR5: Equilibrage de poursuite (TR. BL)
- VR6: Erreur de focalisation (FO. OF)
- VR7: Erreur de poursuite (TE. OF)
- VR8: Fréquence de l'oscillateur local (VCO)
- VR9: Décalage du retour de poursuite (TR. OF)

En mode essai, chaque boucle d'asservissement peut être ouverte ou fermée indépendamment. En conséquence, pour revenir en mode lecture, chaque boucle d'asservissement doit être fermée dans un ordre précis (ordre

séquentiel). Se rappeler que, l'appareil étant dans le mode essai, le simple fait d'appuyer sur la touche PAUSE [■■] ne suffit pas à le replacer en mode lecture.

Ainsi, pour passer de l'arrêt au mode lecture la séquence suivante doit être réalisée:



* Les asservissements ne fonctionnent pas dans l'ordre séquentiel lorsque l'appareil est en mode essai.

● Rôle des touches de commande lorsque l'appareil est en mode essai

Symbole	Nom de la touche	Fonction en mode essai	Remarques
◀◀	TRACK BACK	Met la diode laser sous tension.	La diode laser s'éclaire.
▶▶	TRACK FWD	Ferme la boucle d'asservissement de focalisation.	La diode laser s'éclaire, l'actuateur de focalisation se déplace vers le haut et vers le bas et la boucle d'asservissement de focalisation se ferme.
▶	PLAY	Ferme la boucle d'asservissement du moteur d'entraînement.	Après mis en rotation du moteur d'entraînement, la boucle d'asservissement se ferme en mode CLVH.
	PAUSE	Ouvre et ferme la boucle d'asservissement de poursuite.	Fonctionne comme un basculeur. Une pression sur cette touche ferme la boucle d'asservissement de poursuite et l'appareil vient en mode lecture. Par ailleurs, du fait que les boucles d'asservissement de focalisation et du moteur d'entraînement sont fermées, le témoin PAUSE s'éclaire. Une seconde pression sur cette touche ouvre la boucle d'asservissement de poursuite.
◀◀	MANUAL SERCH REV	Déplace le chariot des plages extérieures vers les plages intérieures.	Déplace rapidement le chariot vers l'intérieur du disque à une vitesse de 1cm/s. Il n'existe aucun dispositif pour arrêter le chariot lorsqu'il atteint la plage la plus intérieure; en conséquence, veiller à ne pas déplacer le chariot outre mesure.
▶▶	MANUAL SERCH FWD	Déplace le chariot des plages intérieures vers les plages extérieures.	Déplace rapidement le chariot vers l'extérieur du disque à une vitesse de 1cm/s. Il n'existe aucun dispositif pour arrêter le chariot lorsqu'il atteint la plage la plus extérieure; en conséquence, veiller à ne pas déplacer le chariot outre mesure.
□	REPEAT	Déplace le bloc optique vers le haut et vers le bas.	La diode laser s'éclaire, l'actuateur de focalisation se déplace vers le haut et vers le bas mais la boucle d'asservissement de focalisation ne se ferme pas.
■	STOP	Arrête le fonctionnement.	Arrête tous les asservissements et replace l'appareil dans son état initial.
▲	OPEN/CLOSE	Ouvre et ferme le tiroir.	Ouvre et ferme le tiroir. Cependant, le capteur ne revient sur sa position de garage lorsque le tiroir est ouvert. La fermeture du tiroir est également sans effet sur le capteur.

Tableau 10-1

Numéro d'ordre	Gamme de l'oscilloscope		Point d'essai	Point de réglage	Point à vérifier /Caractéristique de réglage	Ordre des opérations de réglage
	V	H				
1	RÉGLAGE DE POURSUITE, RÉGLAGE DE FOCALISATION ET RÉGLAGE DU DÉCALAGE RADIOFRÉQUENCE.					
			TP1 Borne 4 (TR.ER)	VR7 (TE.OF)	0V ± 50mV	<ul style="list-style-type: none"> Placer le lecteur en mode essai. (Se reporter page 59.) Régler VR7 (TE. OF: Erreur de poursuite) de manière que la tension sur la borne 4 de TP1 soit égale à 0 V ± 50 mV.
			TP1 Borne 6 (FO.ER)	VR6 (FO.OF)	0V ± 50mV	<ul style="list-style-type: none"> Régler VR6 (FO. OF: Erreur de focalisation) de manière que la tension sur la borne 6 de TP1 soit égale à 0 V ± 50 mV.
			TP301 Borne 1 (RF)	VR2 (RF.OF)	100mV ± 50mV	<ul style="list-style-type: none"> Régler VR2 (RF. OF: Décalage radiofréquence) de manière que la tension sur la borne 1 de TP301 soit égale à 0 V ± 50 mV.
2	RÉGLAGE DU RETOUR DE POURSUITE ET DU RETOUR DE FOCALISATION					
			TP1 Borne 2 (TR.RT)	VR9 (TR.OF)	0V ⁺²⁰ / ₋₁₀ mV	<ul style="list-style-type: none"> Placer le lecteur en mode essai. (Se reporter page 59.) Régler VR9 TR.OF (Décalage du retour de poursuite) de manière que la tension sur la borne 2 TR.RT (Retour de poursuite) de TP1 soit égale à 0 V + 20/ - 10 mV.
			TP1 Borne 8 (FO.RT)	VR1 (FR.OF)	35mV ± 17.5mV	<ul style="list-style-type: none"> Régler VR1 FR.OF (Décalage du retour de focalisation) de manière que la tension sur la borne 8 FO.RT (Retour de focalisation) soit égale à 35 mV ± 17,5 mV.
3	VÉRIFICATION DE LA PUISSANCE DE LA DIODE LASER					
				VR [Ⓐ]	Valeur nominale: moins de 0,13 mW	<ul style="list-style-type: none"> Placer le lecteur en mode essai. (Se reporter page 59.) Appuyer sur la touche TRACK BACK (◀◀) afin de mettre la diode laser sous tension. Placer le capteur de l'appareil de mesure de la puissance directement au-dessus du bloc optique et vérifier que la puissance de la diode est égale à la valeur nominale, à savoir: 0,13 mW ± 0,01 mW. Si la puissance fournie par la diode n'est pas égale à cette valeur, agir sur la résistance variable de commande de la puissance, VR[Ⓐ].

Numéro d'ordre	Gamme de l'oscilloscope		Point d'essai	Point de réglage	Point à vérifier /Caractéristique de réglage	Ordre des opérations de réglage
	V	H				
4	VÉRIFICATION DU CALAGE DE FOCALISATION ET DU CALAGE DU MOTEUR D'ENTRAÎNEMENT					
	V 0.5V/div	H 100msec/div	TP301 Borne 1 (Sortie radiofré- quence)		Génération d'un signal radio- fréquence Rotation normale	<ul style="list-style-type: none"> • Mettre en place le disque d'essai. • Placer le lecteur en mode essai. (Se reporter page 59.) • Déplacer le capteur vers le centre du disque au moyen de la touche MANUAL SEARCH FWD [▶▶]. * Cette manoeuvre doit obligatoirement être réalisée. • Brancher l'oscilloscope sur la sortie du signal radiofré- quence, borne 1 de TP301. Appuyer sur la touche TRACK FWD [▶▶▶] et noter si un signal radiofréquence est pré- sent sur cette borne. • Appuyer sur la touche PLAY et s'assurer que le disque tourne dans le sens des aiguilles d'une montre et que sa vitesse de rotation est normale (la vitesse normale, près du centre, est de l'ordre de 300 tr/mn).

Numéro d'ordre	Gamme de l'oscilloscope		Point d'essai	Point de réglage	Point à vérifier /Caractéristique de réglage	Ordre des opérations de réglage
	V	H				
5-1	RÉGLAGE DU RÉSEAU OPTIQUE (1) (AVEC UN DISQUE DE DIAMÈTRE 80)					
	1V/div	5ms/div	TP1 Borne 4 (TR.ER)	Réseau optique	Origine	<ul style="list-style-type: none"> • Mettre en place le disque d'essai ($\phi 80$) • Placer le lecteur en mode essai. (Se reporter page 59) • Appuyer sur la touche TRACK FWD [▶▶] puis sur la touche PLAY [▶] de manière à fermer les boucles d'asservissement de focalisation et du moteur d'entraînement. (La boucle d'asservissement de poursuite est conservée ouverte.) • Amener le capteur au-dessus de la circonférence du disque de diamètre 80 au moyen de la touche MANUAL SEARCH FWD [▶▶]. Le capteur étant dans cette position, la vis de réglage du réseau optique devient accessible au moyen d'un tournevis. (Se reporter à la fig. 10-3.) • Brancher l'oscilloscope sur la borne 4 TR.ER (Erreur de poursuite) de TP1. Raccorder un filtre passe-bas dont la fréquence de coupure est égale à 4 kHz. (Se reporter à la fig. 10-2.) • Tourner la vis jusqu'à ce que l'allure de l'onde soit semblable à celle de la photographie 10-1.
	<p style="text-align: center;">Fig. 10-2</p>					
	5mV/div	XY	Axe des X	Réseau optique	Amplitude maximale Décalage de phase 180°	<ul style="list-style-type: none"> • Cela étant, tourner doucement la vis dans le sens des aiguilles d'une montre jusqu'à ce que le premier maximum de l'amplitude de l'onde (signal d'erreur de poursuite) soit obtenu. (Se reporter à la photographie 10-3). • Brancher l'entrée X de l'oscilloscope sur la borne PDF de CN301, côté R328, et l'entrée Y sur la borne PDE de CN301, côté R327, à travers deux filtres passe-bas de fréquence de coupure égale à 4 kHz. Déplacer le capteur jusqu'à ce qu'il soit au-dessus de la plage la plus extérieure du disque de diamètre 80. La figure de Lissajous ainsi obtenue doit ressembler grossièrement à une droite. Dans le cas contraire, agir sur la vis de réglage. (Se reporter aux photographies 10-4 et 10-5.)

Numéro d'ordre	Gamme de l'oscilloscope		Point d'essai	Point de réglage	Point à vérifier /Caractéristique de réglage	Ordre des opérations de réglage
	V	H				
5-2	RÉGLAGE DU RÉSEAU OPTIQUE (2) (AVEC UN DISQUE D'UNE DURÉE SUPÉRIEURE À 60 MINUTES)					
	1V/div	5ms/div	TP1 Borne 4 (TR.ER)	Réseau optique	Origine	<ul style="list-style-type: none"> • Mettre en place le disque d'essai ($\phi 80$) • Placer le lecteur en mode essai. (Se reporter page 59.) • Appuyer sur la touche TRACK FWD [▶▶] puis sur la touche PLAY [▶▶] de manière à fermer les boucles d'asservissement de focalisation et du moteur d'entraînement. (La boucle d'asservissement de poursuite est conservée ouverte.) • Amener le capteur au-dessus de la plage la plus extérieure au moyen de la touche MANUAL SEARCH FWD [▶▶]. Le capteur étant dans cette position, la vis de réglage du réseau optique devient accessible au moyen d'un tournevis. (Se reporter à la fig. 10-3.) • Brancher l'oscilloscope sur la borne 4 TR.ER (Erreur de poursuite) de TP1. Raccorder un filtre passe-bas dont la fréquence de coupure est égale à 4 kHz. (Se reporter à la fig. 10-2.) • Tourner la vis jusqu'à ce que l'allure de l'onde soit semblable à celle de la photographie 10-1.
	<p style="text-align: center;">Fig. 10-2</p>					
				Réseau optique	Amplitude maximale	<ul style="list-style-type: none"> • Cela étant, tourner doucement la vis dans le sens des aiguilles d'une montre jusqu'à ce que le premier maximum de l'amplitude de l'onde (signal d'erreur de poursuite) soit obtenu. (Se reporter à la photographie 10-3).
	5mV/div	5ms/div	Axe des X, axe des Y	Réseau optique	Décalage de phase	<ul style="list-style-type: none"> • Brancher l'entrée X de l'oscilloscope sur la borne PDF de CN301, côté R328, et l'entrée Y sur la borne PDE de CN301, côté R327, (couplage alternatif). Amener le capteur au centre du disque. La figure de Lissajous ainsi obtenue doit ressembler grossièrement à une droite. Dans le cas contraire, amener le capteur au-dessus de la circonférence extérieure du disque et reprendre le réglage. (Se reporter aux photographies 10-4 et 10-5.)

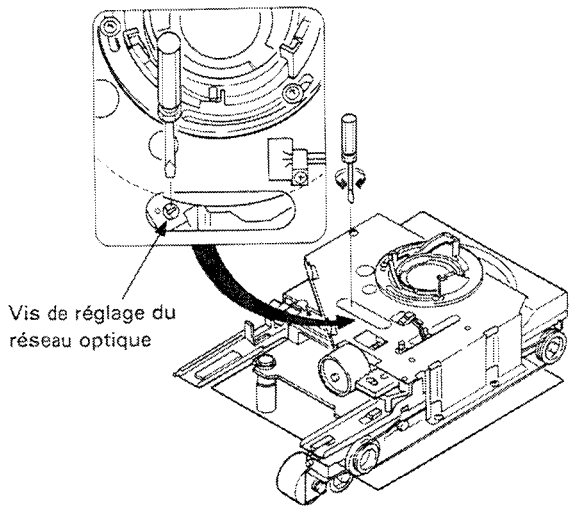
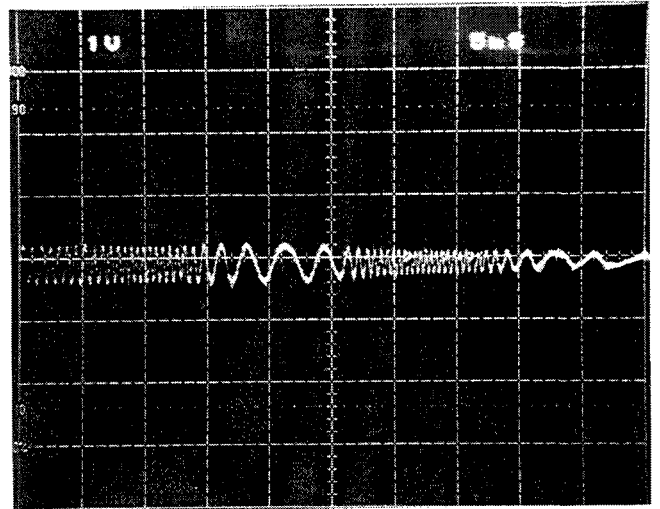
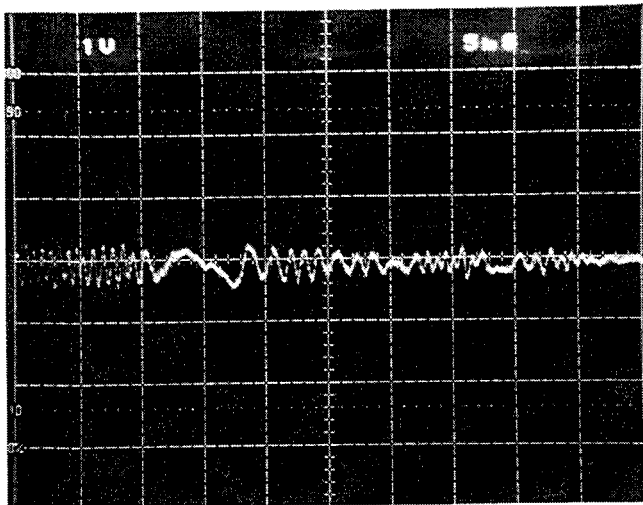


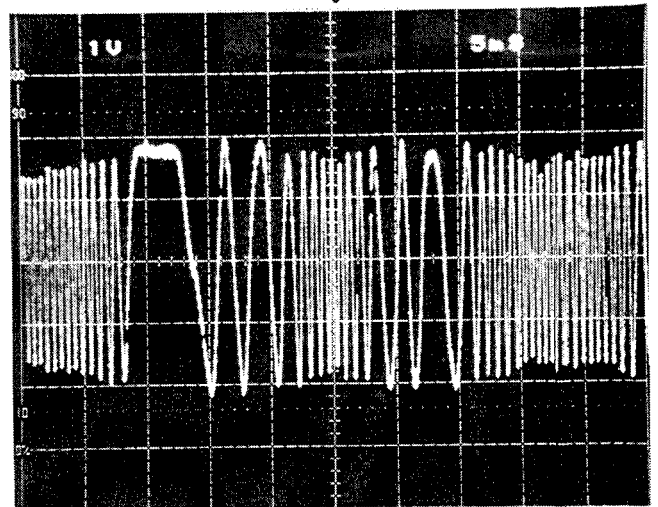
Figure 10-3 Réglage du réseau optique



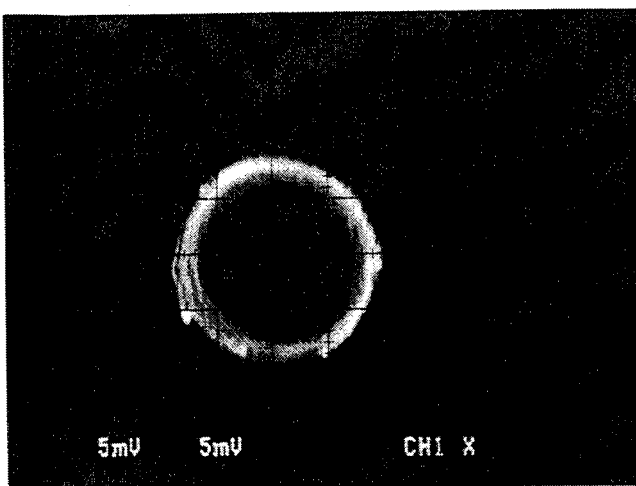
Photographie 10-1 Allure de l'onde à son minimum



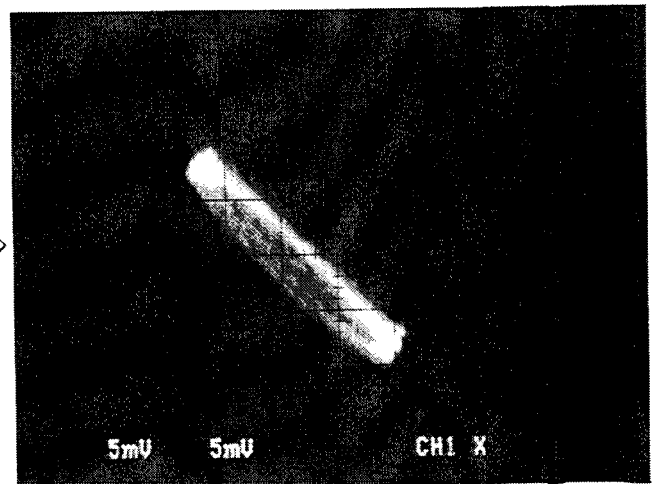
Photographie 10-2 Allure de l'onde en dehors du minimum



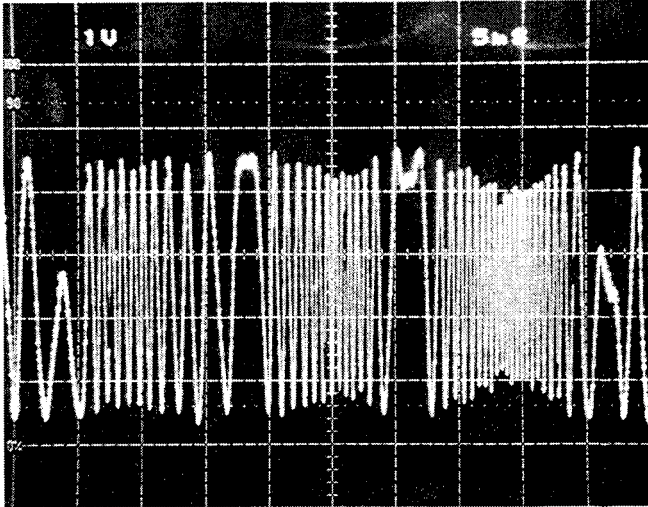
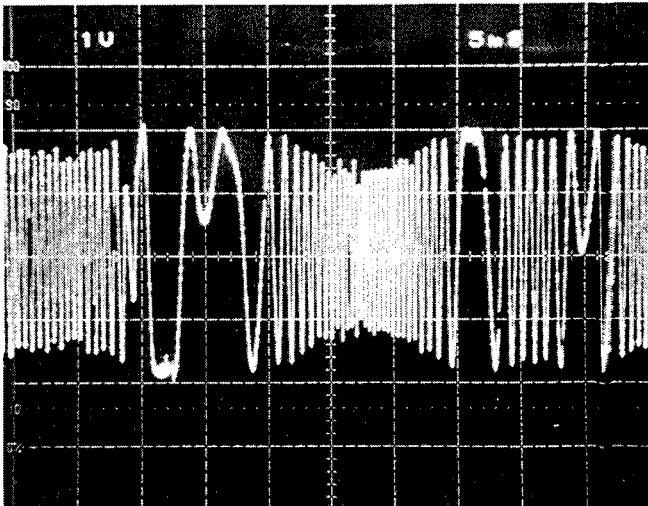
Photographie 10-3 Amplitude maximale de l'onde



Photographie 10-4



Photographie 10-5

Numéro d'ordre	Gamme de l'oscilloscope		Point d'essai	Point de réglage	Point à vérifier /Caractéristique de réglage	Ordre des opérations de réglage
	V	H				
6	RÉGLAGE DE L'ÉQUILIBRAGE DE POURSUITE					
	0.5V/div	5msec/div	TP1 Borne 4 (TR.ER)	VR5 (TR.BL)		<ul style="list-style-type: none"> • Mettre en place le disque d'essai. • Placer le lecteur en mode essai. (Se reporter page 59.) • Amener le chariot au centre du disque au moyen de la touche MANUAL SEARCH FWD [▶▶]. • Appuyer sur la touche TRACK FWD [▶▶] puis sur la touche PLAY [▶] pour mettre le disque en rotation. • Brancher l'oscilloscope sur la borne 4 TR.ER (Erreur de poursuite) de TP1. Régler VR5 TR.BL (Equilibrage de poursuite) de sorte que toutes les composantes continues soient éliminées.
						 <p>Photographie 10-6 Allure du signal avec composantes continues</p>  <p>Photographie 10-7 Allure du signal sans composantes continues</p>

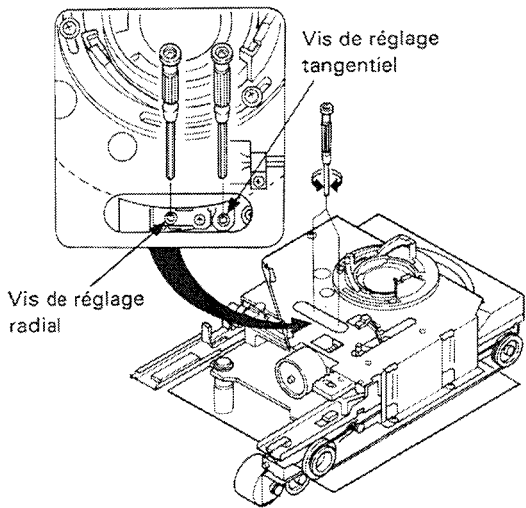
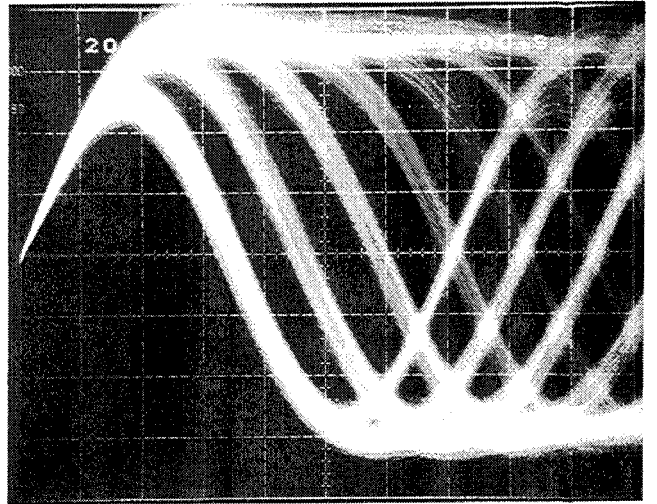
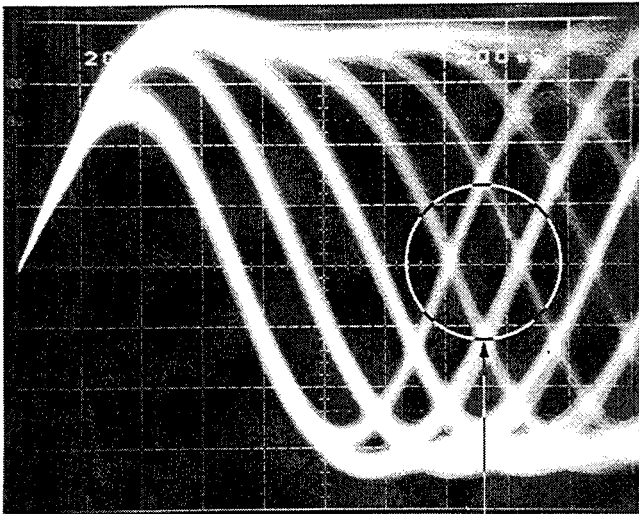


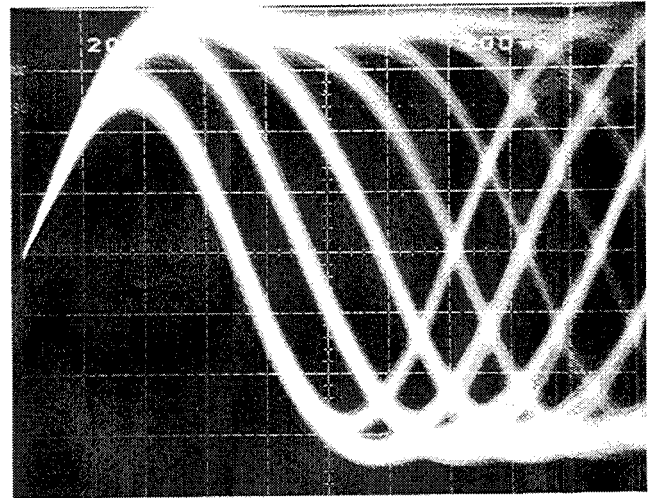
Figure 10-5 Réglage tangentiel



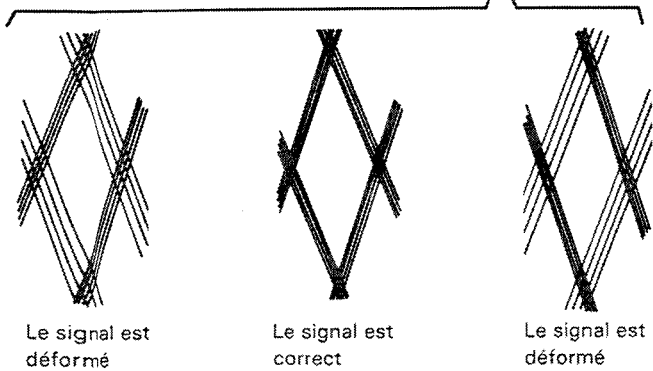
Photographie 10-9



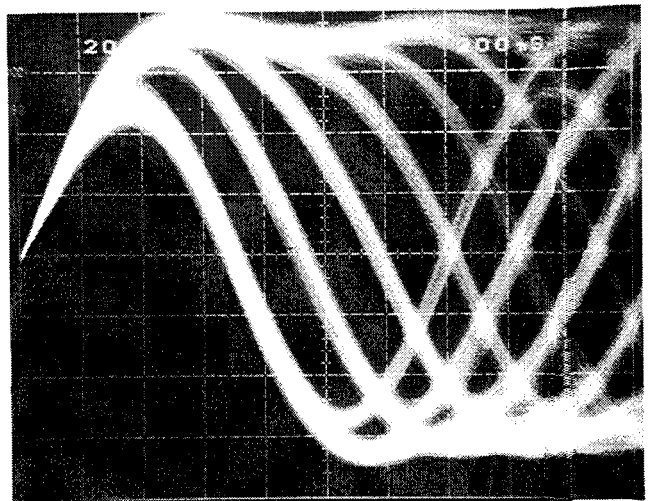
Que doit-on rechercher



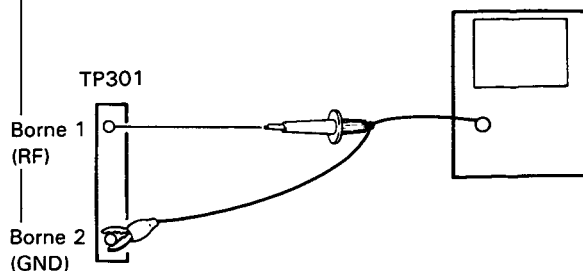
Photographie 10-10



Photographie 10-8



Photographie 10-11

Numéro d'ordre	Gamme de l'oscilloscope		Point d'essai	Point de réglage	Point à vérifier /Caractéristique de réglage	Ordre des opérations de réglage
	V	H				
7	RÉGLAGE TANGENTIEL					
			TP301 Borne 1 (Sortie radiofré- quence)	Vis de régle- ge tangentiel	Meilleur motif de hachures en croix	<ul style="list-style-type: none"> • Mettre en place le disque d'essai. • Placer le lecteur en mode essai. (Se reporter page 59.) • Amener le capteur au centre du disque au moyen de la tou- che MANUAL SEARCH FWD [▶▶]. Le capteur étant dans cette position, la vis de réglage tangentiel devient acces- sible au moyen d'un tournevis. (Se reporter à la fig. 10-5.) • Appuyer sur la touche TRACK FWD [▶▶] puis sur la tou- che PLAY [▶] et enfin sur la touche PAUSE [■] pour fermer toutes les boucles d'asservissement. (Le témoin PAUSE s'éclaire.) • Brancher l'oscilloscope sur la borne 1 de TP1 (sortie ra- diofréquence). Agir sur la vis de réglage tangentiel pour obtenir le meilleur motif de hachures en croix. (Se repor- ter à la figure 10-5.) • Le point de réglage est obtenu lorsque le motif est le mei- leur et que toute nouvelle action sur la vis ne peut que le dégrader. On doit chercher à obtenir un motif formant un losange aussi régulier que possible. (Se reporter à la pho- tographie 10-8.) Lorsque le réglage est correct, on doit être en mesure de distinguer les lignes qui composent le losange.
						 <p>Fig. 10-4</p>

Numéro d'ordre	Gamme de l'oscilloscope		Point d'essai	Point de réglage	Point à vérifier /Caractéristique de réglage	Ordre des opérations de réglage
	V	H				
8	RÉGLAGE RADIAL					
			TP301 Borne 1 (Sortie radiofréquence)	Vis de réglage radial	Meilleur motif de hachures en croix.	<ul style="list-style-type: none"> • Mettre en place le disque d'essai. • Placer le lecteur en mode essai. (Se reporter page 59.) • Amener le capteur au centre du disque au moyen de la touche MANUAL SEARCH FWD [▶▶]. Le capteur étant dans cette position, la vis de réglage radial devient accessible au moyen d'un tournevis. (Se reporter à la fig. 10-5.) • Appuyer sur la touche TRACK FWD [▶▶] puis sur la touche PLAY [▶] et enfin sur la touche PAUSE [■] pour fermer toutes les boucles d'asservissement. (Le témoin PAUSE s'éclaire.) • Brancher l'oscilloscope sur la borne 1 de TP301 (sortie radiofréquence). Agir sur la vis de réglage radial pour obtenir le meilleur motif de hachures en croix. (Se reporter à la fig. 10-5.) • Le point de réglage est obtenu lorsque le motif est le meilleur et que toute nouvelle action sur la vis ne peut que le dégrader. On doit chercher à obtenir un motif formant un losange aussi régulier que possible. (Se reporter à la photographie 10-8.) Lorsque le réglage est correct, on doit être en mesure de distinguer les lignes qui composent le losange. • Veiller à effectuer les réglages tangentiel et radial, l'un après l'autre, plus de deux fois.

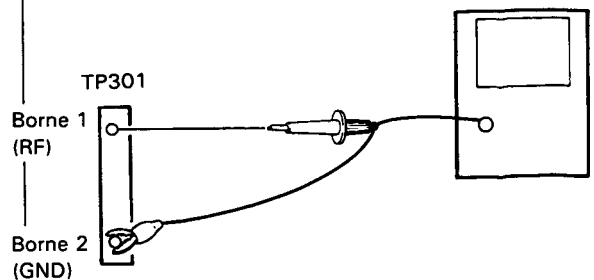
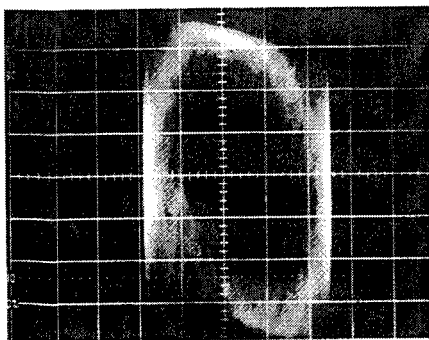


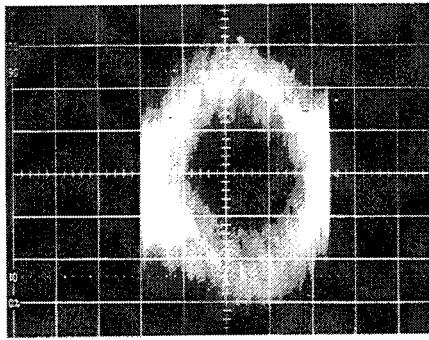
Fig. 10-4

Numéro d'ordre	Gamme de l'oscilloscope		Point d'essai	Point de réglage	Point à vérifier /Caractéristique de réglage	Ordre des opérations de réglage
	V	H				
9	VÉRIFICATION DU NIVEAU RADIOFRÉQUENCE					
			TP301 Borne 1 (RF)	Vérification	$1.6V \pm 0.1V$	<ul style="list-style-type: none"> • Placer le lecteur en mode essai. (Se reporter page 59.) • Brancher la sonde de l'oscilloscope sur la borne 1 de TP301 (sortie radiofréquence). • Lire le disque d'essai et vérifier que la tension crête à crête du signal radiofréquence est égale à $1,6 V \pm 0,1 V$. • Dans le cas contraire, agir sur la résistance variable VR(A).
			TP301 Borne 1 (RF)	VR(A)	$1.6V \pm 0.1V$	

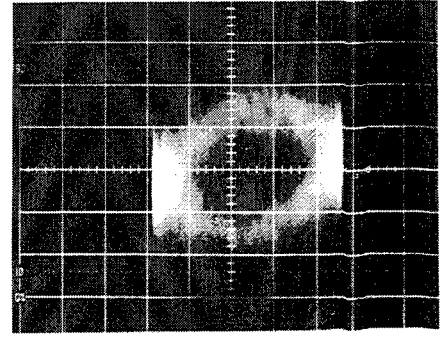
Numéro d'ordre	Gamme de l'oscilloscope		Point d'essai	Point de réglage	Point à vérifier /Caractéristique de réglage	Ordre des opérations de réglage
	V	H				
10	RÉGLAGE DU GAIN DE LA BOUCLE D'ASSERVISSEMENT DE FOCALISATION					
	CH1 (X), CH2 (Y) 20mV/div, 5mV/div Sonde 10:1		Axe des X TP1 Borne 7 (FO.IN) Axe des Y TP1 Borne 6 (FO.ER)	VR3 (FO.GA)	Déphasage 90°	<ul style="list-style-type: none"> • L'interrupteur général étant sur la position OFF, brancher l'oscilloscope et le générateur de fréquence comme le montre la fig. 10-6. • Placer le lecteur en mode essai. (Se reporter page 59.) • Appuyer sur la touche TRACK FWD [▶▶] puis sur la touche PLAY [▶] et enfin sur la touche PAUSE [■] pour mettre en service les boucles d'asservissement de focalisation, de poursuite et de moteur d'entraînement. • Mettre en service le générateur de fréquence; tension 1 Vc-c, fréquence 1,2 kHz. <p>Remarque: Certains générateurs produisent une tension continue à la mise sous tension. Il est donc recommandé de ne brancher l'oscilloscope qu'après la mise en service du générateur.</p> <ul style="list-style-type: none"> • Régler VR3 FO.GA (Gain de la boucle d'asservissement de focalisation) de sorte que la figure de Lissajous soit un cercle parfait (déphasage de 90°).
						<p style="text-align: center;">Fig. 10-6</p>



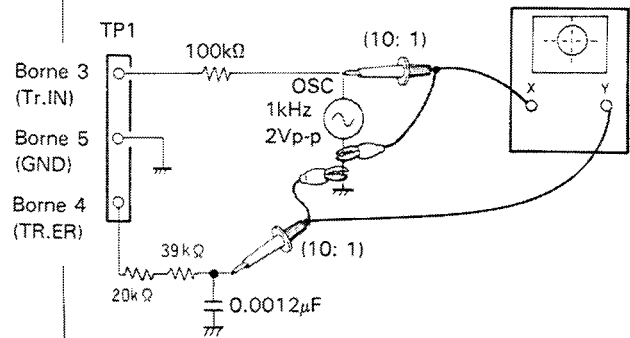
Photographie 10-12 Gain trop élevé

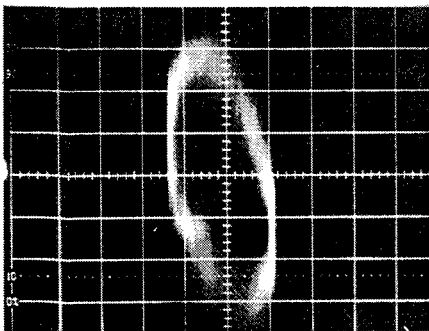


Photographie 10-13 Gain correct

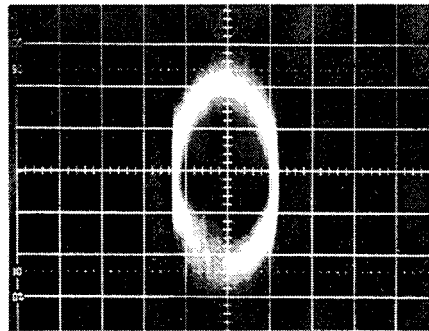


Photographie 10-14 Gain trop faible

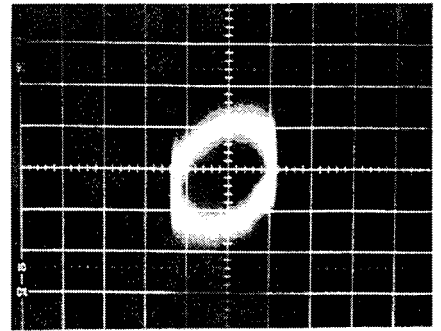
Numéro d'ordre	Gamme de l'oscilloscope		Point d'essai	Point de réglage	Point à vérifier /Caractéristique de réglage	Ordre des opérations de réglage
	V	H				
11	RÉGLAGE DU GAIN DE LA BOUCLE D'ASSERVISSEMENT DE POURSUITE					
	CH1 (X), CH2 (Y) 50mV/div, 5mV/div Sonde 10: 1		Axe des X TP1 Borne 3 (TR.IN) Axe des Y TP1 Borne 4 (TR.ER)	VR4 (TR.GA)	Déphasage 90°	<ul style="list-style-type: none"> • L'interrupteur général étant sur la position OFF, brancher l'oscilloscope et le générateur de fréquence comme le montre la fig. 10-7. • Placer le lecteur en mode essai. (Se reporter page 59.) • Appuyer sur la touche TRACK FWD [▶▶] puis sur la touche PLAY [▶] et enfin sur la touche PAUSE [■] pour mettre en service les boucles d'asservissement de focalisation, de poursuite et de moteur d'entraînement. • Mettre en service le générateur de fréquence; tension 2 Vc-c, fréquence 1 kHz. <p>Remarque: Certains générateurs produisent une tension continue à la mise sous tension. Il est donc recommandé de ne brancher l'oscilloscope qu'après la mise en service du générateur.</p> <ul style="list-style-type: none"> • Régler VR4 TR.GA (Gain de la boucle d'asservissement de poursuite) de sorte que la figure de Lissajous soit un cercle parfait (déphasage de 90°).
	 <p>Fig. 10-7</p>					



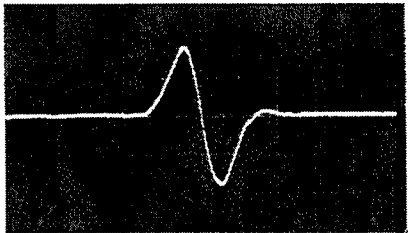
Photographie 10-15 Gain trop élevé



Photographie 10-16 Gain correct



Photographie 10-17 Gain trop faible

Numéro d'ordre	Gamme de l'oscilloscope		Point d'essai	Point de réglage	Point à vérifier /Caractéristique de réglage	Ordre des opérations de réglage
	V	H				
12	RÉGLAGE DE LA FRÉQUENCE D'OSCILLATION LIBRE DU VCO					
			TP3 Borne 2		Fréquence 4,375MHz ± 0.05MHz	<ul style="list-style-type: none"> Placer le lecteur en mode essai. (Se reporter page 59.) Court-circuiter ASY et GND à l'aide d'une pince crocodile. Brancher un compteur de fréquence (classe 10 MHz) sur la borne 2 de TP3. Régler VR8 (VCO.A) pour obtenir une fréquence égale à 4,375 MHz ± 0,05 MHz. <p>Remarque: Ce réglage doit être effectué alors que le lecteur est arrêté.</p>
13	VÉRIFICATION DE L'ERREUR DE FOCALISATION					
			TP1 Borne 6 (FO.ER)	Vérification	Forme d'onde	<ul style="list-style-type: none"> Placer le lecteur en mode essai. (Se reporter page 59.) Placer une jarretière entre la borne 7 FO.IN (Entrée focalisation) de TP1 et la masse (GND). Appuyer sur la touche TRACK FWD et vérifier au moyen de l'oscilloscope, l'allure du signal présent sur la borne 6 FO.ER (Erreur de focalisation) de TP1. <div style="text-align: center;"> <p>2V/Div 1mS/Div</p>  <p>Allure en S de l'onde produite par FO.ER</p> </div>

10. AJUSTE

A continuación se da una lista completa de los ajustes. Realice los ajustes en el orden que salen en la lista.

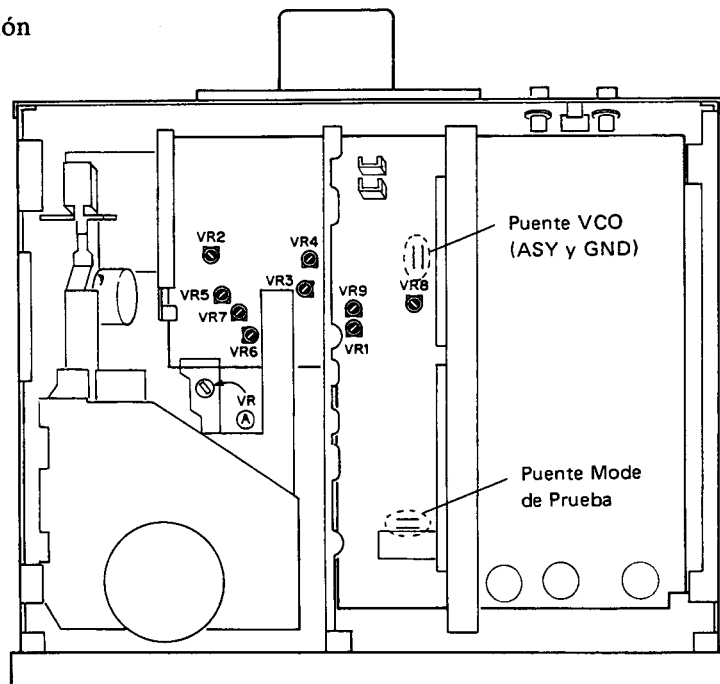
● Lista de los ajustes

1. Ajustes del descentramiento de seguimiento, del descentramiento de foco y del descentramiento de RF
2. Ajustes del descentramiento de retorno de seguimiento y del descentramiento de retorno de foco
3. Comprobación de la luminosidad de LD (laser diódico)
4. Comprobación del enclavamiento del eje y del enclavamiento del foco
5. Ajuste de rejilla
6. Ajuste del balance de seguimiento
7. Ajuste tangencial
8. Ajuste radial
9. Comprobación del nivel RF
10. Ajuste de la ganancia de foco
11. Ajuste de la ganancia de seguimiento
12. Ajuste de frecuencia en marcha libre de VCO
13. Comprobación de error de foco

● Dispositivos necesarios para la medición

1. Osciloscopio de seguimiento doble
2. Medidor óptico de luminosidad
3. Disco de pruebas (YEDS7)
4. Filtros de ajuste de seguimiento y foco
5. Filtro de paso de banda para el ajuste de la ganancia de bucle
6. Generador de señales
7. Destornillador de rejillas
8. Otros equipos normales de medición

Nota) El VR del tablero de ajustes ha sido ajustado en la fábrica. No intente reajustarlo bajo ninguna circunstancia.



Localización de los tornillos de ajuste

● Modo de pruebas

Los ajustes deben realizarse con la unidad en el modo de pruebas.

Cómo entrar y salir del modo de pruebas

- ① Con el puente de conexión del modo de pruebas cortocircuitado, gire el interruptor POWER SW a la posición ON.
- ② Si luego activa la función MANUAL SEARCH FWD [▶▶] o REV [◀◀], la unidad se establecerá en el modo de pruebas.
- ③ Para salir del modo de pruebas, gire el interruptor POWER SW a la posición OFF.

En el modo de pruebas, las teclas de funcionamiento del tocadiscos CD tienen las funciones designadas en la tabla 10-1.

● Nombres de los VR de ajuste

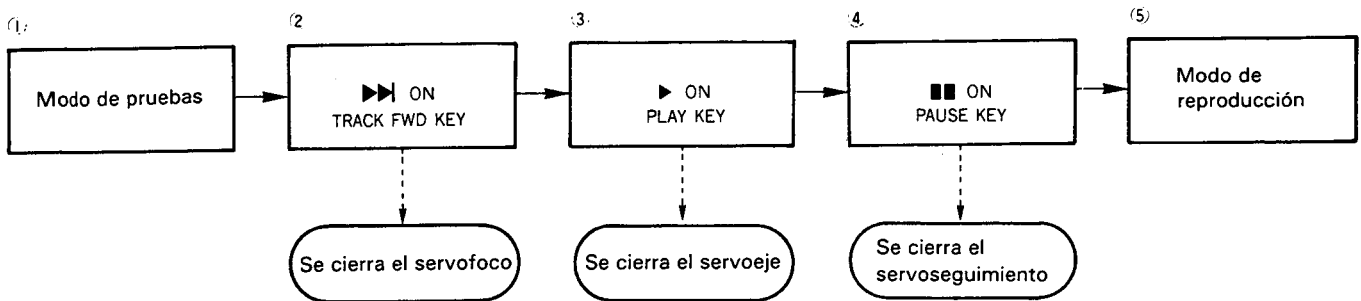
- VR1: Descentramiento de retorno de foco (FR. OF)
- VR2: Descentramiento de RF (RF. OF)
- VR3: Ganancia de foco (FO. GA)
- VR4: Ganancia de seguimiento (TR. GA)
- VR5: Balance de seguimiento (TR. BL)
- VR6: Descentramiento de foco (FO. OF)
- VR7: Descentramiento de seguimiento (TE. OF)
- VR8: Frecuencia VCO (VCOA)
- VR9: Descentramiento de retorno de seguimiento (TR. OF)



En el modo de pruebas cada servodispositivo puede abrirse y cerrarse independientemente. Por lo tanto, para volver al modo de reproducción normal, debe cerrarse cada servodispositivo en el orden adecuado (secuencia en

serie) antes de poder reestablecerse el modo de reproducción. Recuerde que, una vez está en el modo de pruebas, simplemente presionando la tecla PAUSE [■■] la unidad de se establecerá en el modo de reproducción.

Por ejemplo, para pasar del modo de parada al modo de reproducción:



* En el modo de pruebas, los servodispositivos deben activarse en el orden de la secuencia en serie.

● **Funciones de las teclas de control cuando el tocadiscos CD está en el modo de pruebas**

Símbolo	Nombre de la tecla	Función en el modo de pruebas	Explicación
◀◀	TRACK BACK	Se activa el laser diódico	Se enciende el laser diódico
▶▶	TRACK FWD	Se cierra el servofoco	Se enciende el laser diódico, se mueve el activador de foco hacia arriba/hacia abajo, y se cierra el servofoco.
▶	PLAY	Se cierra el servoeje.	Después que el motor del eje empiece a girar, se cierra el servodispositivo en el modo CLV-H.
■■	PAUSE	Se abre y se cierra el servoseguimiento.	Funciona como un conmutador de palanca. Cuando se presiona una vez, se cierra el servoseguimiento y la unidad se establece en el modo de reproducción. Sin embargo, puesto que el servofoco y el servoeje están cerrados, se encenderá el indicador PAUSE. Cuando se presiona otra vez, se abre el servoseguimiento.
◀◀	MANUAL SERCH REV	Retroceso del carro (de los surcos exteriores a los interiores)	El carro se desplaza rápidamente hacia los surcos interiores del disco a una velocidad de 1 cm/seg. No hay provisto ningún dispositivo de parada automática del carro cuando éste alcanza el último surco del disco, por lo tanto tenga cuidado en no mover el carro demasiado lejos.
▶▶	MANUAL SERCH FWD	Avance del carro (de los surcos interiores a los exteriores)	El carro se desplaza rápidamente hacia los surcos exteriores del disco a una velocidad de 1 cm/seg. No hay provisto ningún dispositivo de parada automática del carro cuando éste alcanza el último surco del disco, por lo tanto tenga cuidado en no mover el carro demasiado lejos.
□	REPEAT	Desplazamiento mueve las lentes hacia arriba/hacia abajo	Se enciende el laser diódico, se mueve el activador de foco hacia arriba/hacia abajo, pero no se cierra el servofoco.
■	STOP	Se interrumpe el funcionamiento	Se paran todos los servodispositivos y la unidad se repone al estado inicial.
▲	OPEN/CLOSE	Se abre y se cierra la bandeja de discos	Se abre y se cierra la bandeja de discos. Sin embargo, el fonocaptor no retorna a la posición de apoyo cuando la bandeja está abierta. El cierre de la bandeja tampoco tiene ningún efecto sobre el fonocaptor.

Tabla 10-1

No. de paso	Margen del osciloscopio		Punto de prueba	Punto de ajuste	Punto de verificación/especificación del ajuste	Secuencia de la operación de ajuste
	V	H				
1	AJUSTES DEL DESCENTRAMIENTO DE SEGUIMIENTO, DEL DESCENTRAMIENTO DE FOCO Y DEL DESCENTRAMIENTO DE RF					
			TP1 Aguja4 (TR.ER)	VR7 (TE.OF)	0V ± 50mV	<ul style="list-style-type: none"> • Establezca el tocadiscos CD en el modo de pruebas. (Refiérase a la página 74.) • Ajuste VR7 (TE.OF: descentramiento de error de seguimiento) de manera que la aguja ④ TP1 (TE.OF: error de seguimiento) registre un tensión de 0V ± 50mV. • Ajuste VR6 (FO.OF: descentramiento de error de seguimiento) de manera que la aguja ⑥ TP1 (FO.ER: error de foco) registre una tensión de 0V ± 50mV. • Ajuste VR2 (RF.OF: descentramiento de RF) de manera que la aguja ① TP301 registre una tensión de salida RF de 100mV ± 50mV.
			TP1 Aguja6 (FO.ER)	VR6 (FO.OF)	0V ± 50mV	
			TP301 Aguja1 (RF)	VR2 (RF.OF)	100mV ± 50mV	
2	AJUSTES DEL DESCENTRAMIENTO DE RETORNO DE SEGUIMIENTO Y DEL DESCENTRAMIENTO DE RETORNO DE FOCO					
			TP1 Aguja2 (TR.RT)	VR9 (TR.OF)	0V ⁺²⁰ / ₋₁₀ mV	<ul style="list-style-type: none"> • Establezca el tocadiscos CD en el modo de pruebas. (Refiérase a la página 74.) • Ajuste VR9 (TR.OF: descentramiento de error de seguimiento) de manera que la aguja ② TP1 (TR.RT: retorno de seguimiento) registre una tensión de 0V ⁺²⁰/₋₁₀ mV. • Ajuste VR1 (FR.OF: descentramiento de retorno de foco) de manera que la aguja ⑧ TP1 (FO.RT: retorno de foco) registre una tensión de 35mV ± 17,5mV.
			TP1 Aguja8 (FO.RT)	VR1 (FR.OF)	35mV ± 17.5mV	
3	COMPROBACIÓN DE LA LUMINOSIDAD DE LD (LASER DIÓDICO)					
				VR [Ⓐ]	Especificación normal: inferior a 0,13mW	<ul style="list-style-type: none"> • Establezca el tocadiscos CD en el modo de pruebas. (Refiérase a la página 74.) • Presione la tecla TRACK BACK [◀◀] para conectar el LD (laser dódico). • Coloque el sensor del medidor óptico de luminosidad directamente encima de las lentes del objetivo y compruebe que la potencia de LD esté al nivel especificado: 0,13mW ± 0,1mW. • Si la potencia de LD no se encuentre en el nivel especificado, ajuste el VR de control de luminosidad de LD, VR[Ⓐ].

No. de paso	Margen del osciloscopio		Punto de prueba	Punto de ajuste	Punto de verificación/especificación del ajuste	Secuencia de la operación de ajuste
	V	H				
4	COMPROBACIÓN DEL ENCLAVAMIENTO DEL EJE Y YEL ENCLAVAMIENTO DEL FOCO					
	V 0.5V/div	H 100msec/div	TP301 Aguja1 (Salida de RF)		Se geneva salida de RF Rotación normal	<ul style="list-style-type: none"> • Introduzca el disco de pruebas en el tocadiscos. • Establezca el tocadiscos CD en el modo de pruebas. (Refiérase a la página 74.) • Con la tecla MANUAL SEARCH FWD [▶▶] mueva el fonocaptor al centro del disco. No se olvide de realizar este paso! • Observe la salida de RF desde la aguja ① TP301 RF con un osciloscopio. Luego, después de presionar la tecla TRACK FWD [▶▶▶], compruebe si sale o no la señal RF. • Presione la tecla PLAY y compruebe que el disco esté girando hacia la derecha a velocidad normal (la velocidad de rotación del disco cerca del centro es de 300 rpm).

No. de paso	Margen del osciloscopio		Punto de prueba	Punto de ajuste	Punto de verificación/especificación del ajuste	Secuencia de la operación de ajuste
	V	H				
5-1	AJUSTE DE REJILLA (1) (CON UN DISCO DE $\phi 80$)					
	1V/div	5ms/div	TP1 Aguja4 (TR.ER)	Rejilla	Punto nulo	<ul style="list-style-type: none"> • Introduzca el disco de pruebas en el tocadiscos ($\phi 80$). • Establezca el tocadiscos CD en el modo de pruebas. Refiérase a la página 74.) • Presione la tecla TRACK FWD [▶▶] y luego la tecla PLAY [▶] en este orden para cerrar el servofoco y el servoeje. (El servoseguimiento se deja abierto.) • Con la tecla MANUAL SEARCH FWD [▶▶] mueva el fonocaptor al extremo exterior de la circunferencia del disco de $\phi 80$. Al mover el fonocaptor a esta posición, se puede tener acceso al tornillo de ajuste de rejilla con un destornillador aplicado desde de arriba. (Vea la Fig. 10-3.) • Observe la salida de forma de onda en la aguja ④ TP1 (TR.ER: error de seguimiento) en el un osciloscopio. Inserte un filtro de paso bajo con un punto de corte de 4kHz. (Vea la Fig. 10-2.) • Con un destornillador haga girar el tornillo de ajuste de rejilla hasta que encuentre la forma de onda de punto nulo parecida a la que se muestra en la Fotografía 10-1.
	5mV/div	XY	Eje X R328 Eje Y R327	Rejilla Rejilla	Amplitud máxima 180° de diferencia de fase	<ul style="list-style-type: none"> • Luego, gire el destornillador lentamente hacia la derecha a partir del punto nulo hasta que alcance el primer punto de máxima amplitud de la forma de onda (señal de error de seguimiento). (Vea la Fotografía 10-3.) • Conecte el eje X del osciloscopio con el lado CN301 (PDF) de R328, el eje Y con el lado CN301 (PDE), e inserte un filtro de paso bajo con un punto de corte de 4kHz. Mueva el fonocaptor al primer surco exterior del disco de $\phi 80$. La figura Lissajous tiene que aparecer más o menos como una sólo línea. Si no es así, ajuste la rejilla hasta que la figura Lissajous sea un sólo línea. (Vea las Fotografías 10-4,5.)

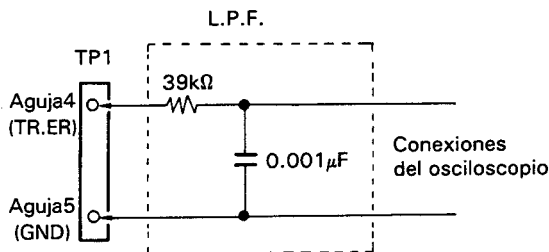
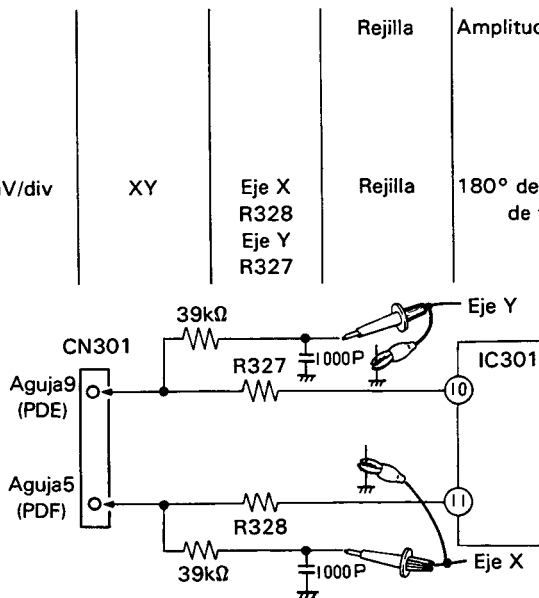


Fig. 10-2



No. de paso	Margen del osciloscopio		Punto de prueba	Punto de ajuste	Punto de verificación/especificación del ajuste	Secuencia de la operación de ajuste
	V	H				
5-2	AJUSTE DE REJILLA (2) (CON UN DISCO DE MÁS DE 60 MIN. DE TIEMPO DE REPRODUCCIÓN)					
	1V/div	5ms/div	TP1 Aguja4 (TR.ER)	Rejilla		<ul style="list-style-type: none"> • Introduzca el disco de pruebas en el tocadiscos. • Establezca el tocadiscos CD en el modo de pruebas. (Refiérase a la página 74.) • Presione la tecla TRACK FWD [▶▶] y luego la tecla PLAY [▶] en este orden para cerrar el servofoco y el servoeje. (El servoseguimiento se deja abierto.) • Con la tecla MANUAL SEARCH FWD [▶▶] mueva el fonocaptor al extremo exterior de la circunferencia del disco de φ80. Al mover el fonocaptor a esta posición, se puede tener acceso al tornillo de ajuste de rejilla con un destornillador aplicado desde de arriba. (Vea la Fig. 10-3.) • Punto nulo * Observe la salida de forma de onda en la aguja ④ TP1 (TR.ER: error de seguimiento) en el osciloscopio. Inserte un filtro de paso bajo con un punto de corte de 4kHz. (Vea la Fig. 10-2.) • Con un destornillador haga girar el tornillo de ajuste de rejilla hasta que encuentre la forma de onda de punto nulo parecida a la que se muestra en la Fotografía 10-1.
	5mV/div	5ms/div	Eje X R328	Rejilla	Amplitud máxima	<ul style="list-style-type: none"> • Luego, gire el destornillador lentamente hacia la derecha a partir del punto nulo hasta que alcance el primer punto de máxima amplitud de la forma de onda (señal de error de seguimiento). (Vea la Fotografía 10-3.)
			Eje Y R327	Rejilla	Diferencia de fase	<ul style="list-style-type: none"> • Conecte el eje X del osciloscopio con el lado CN301 (PDF) de R328, el eje Y con el lado CN301 (PDE) de R327, aplique la señal en el modo de acoplamiento de CA y mueva el fonocaptor al centro del disco. Entonces la figura Lissajous tiene que aparecer más o menos como una sola línea. Si no es así, mueva una vez el fonocaptor al extremo exterior de la circunferencia y ajuste la rejilla hasta que la figura Lissajous sea un sola línea. (Vea las Fotografías 10-4,5.)

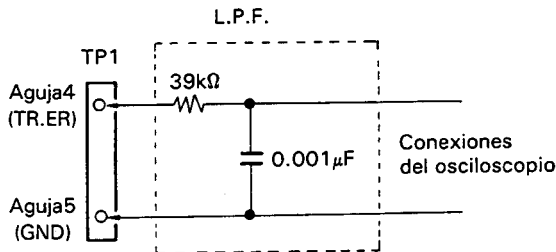


Fig. 10-2

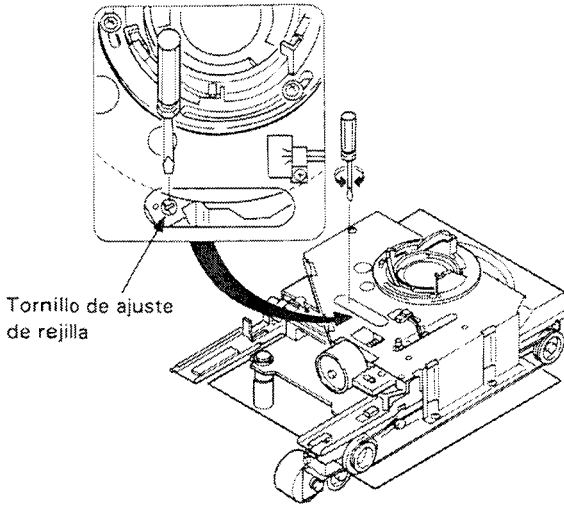
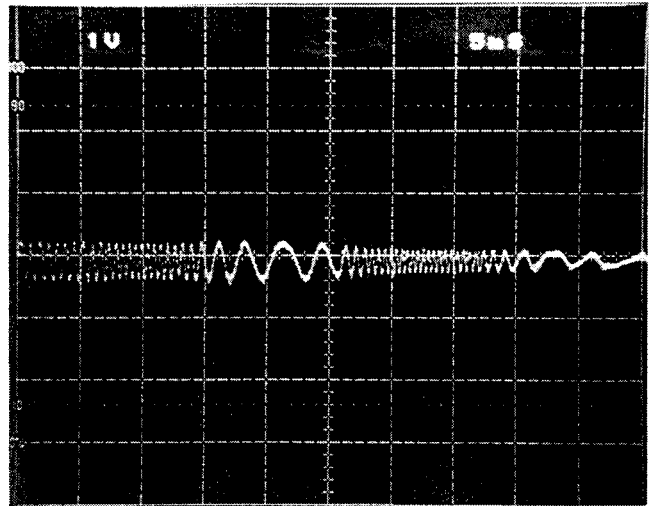
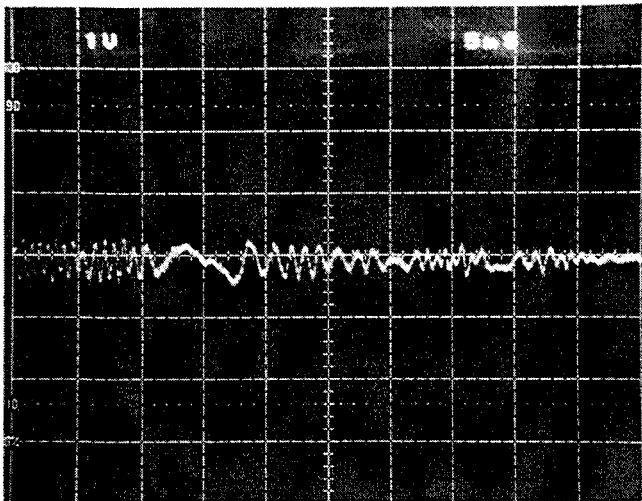


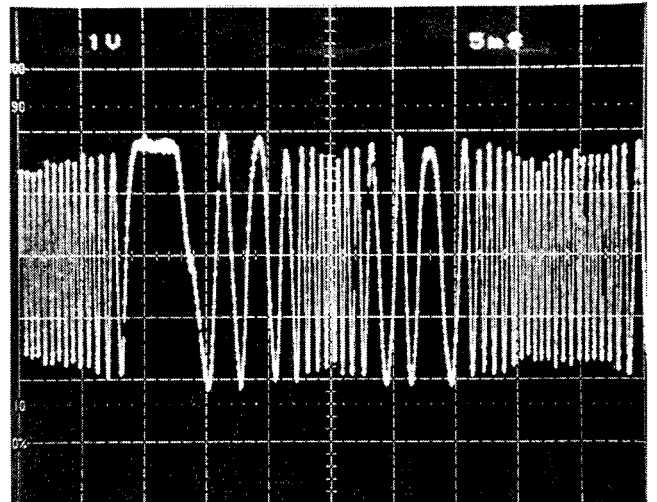
Figura 10-3 Ajuste de rejilla



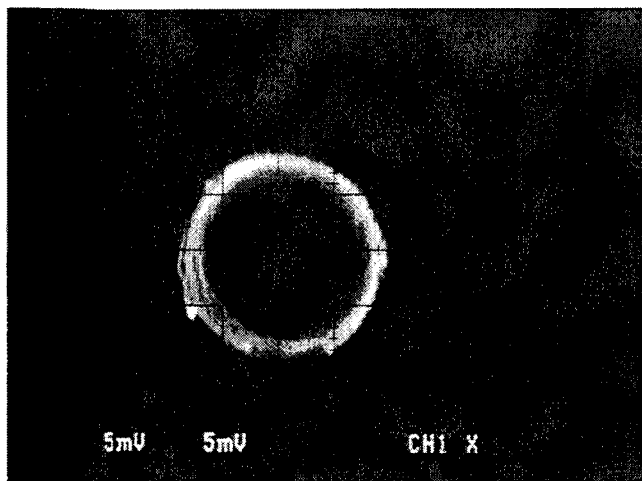
Fotografía 10-1 Forma de onda de punto nulo



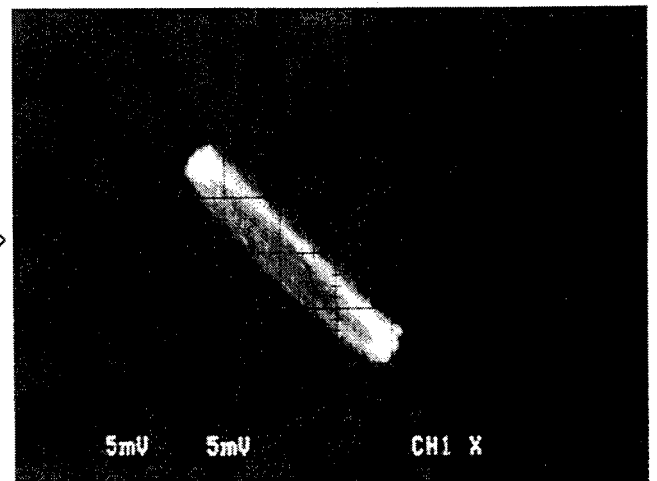
Fotografía 10-2 Forma de onda descentrada de punto nulo



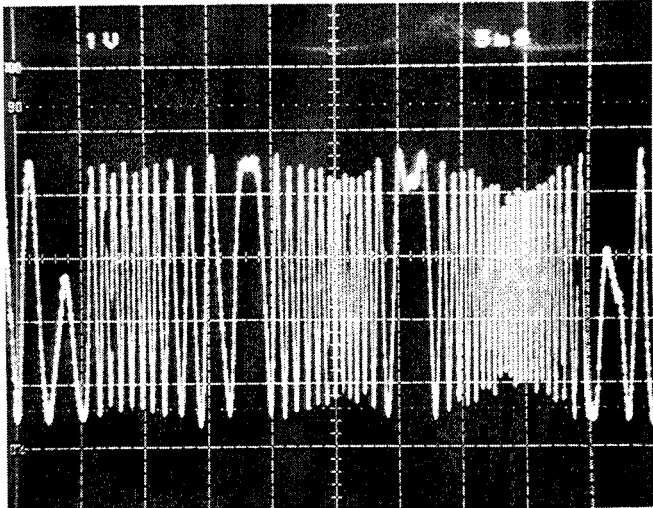
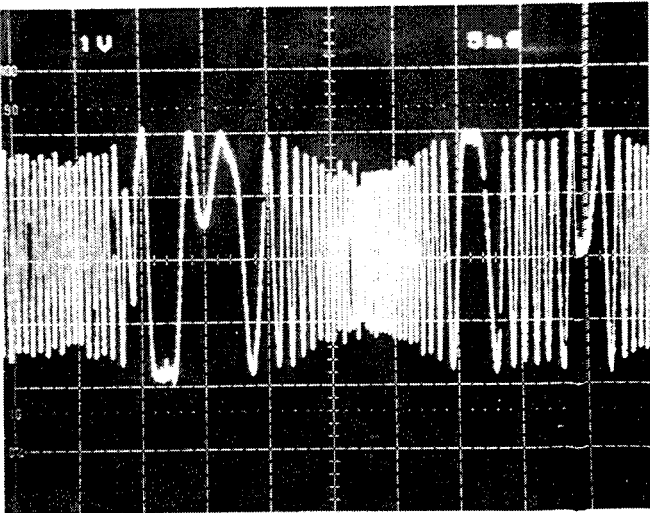
Fotografía 10-3 Amplitud máxima



Fotografía 10-4



Fotografía 10-5

No. de paso	Margen del osciloscopio		Punto de prueba	Punto de ajuste	Punto de verificación/especificación del ajuste	Secuencia de la operación de ajuste
	V	H				
6 AJUSTE DEL BALANCE DE SEGUIMIENTO						
	0.5V/div	5msec/div	TP1 Aguja4 (TR.ER)	VR5 (TR.BL)		<ul style="list-style-type: none"> • Introduzca el disco de pruebas en el tocadiscos. • Establezca el tocadiscos CD en el modo de pruebas. (Refiérase a la página 74.) • Con la tecla MANUAL SEARCH FWD [▶▶] mueva el fonocaptor al centro del disco. • Presione la tecla TRACK FWD [▶▶], y luego la tecla PLAY [▶] para iniciar la rotación del disco. • Observe la salida de forma de onda en la aguja ④ TP1 (TR.ER: error de seguimiento) en el osciloscopio. Ajuste VR5 (TR.BL: balance de seguimiento) de manera que todos los componentes de CC estén fuera de la señal.
						 <p>Fotografía 10-6 Señal con los componentes de CC</p>
						 <p>Fotografía 10-7 Señal sin los componentes de CC</p>

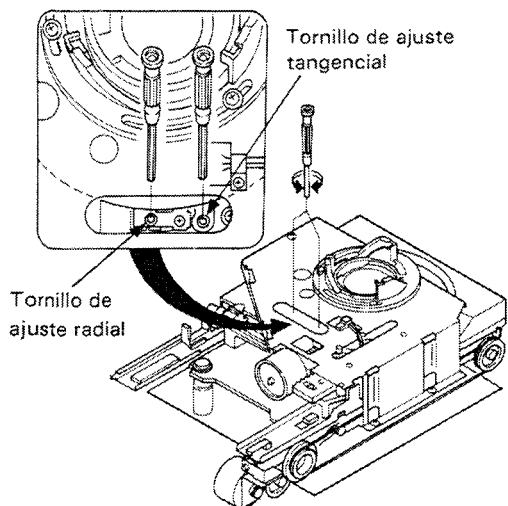
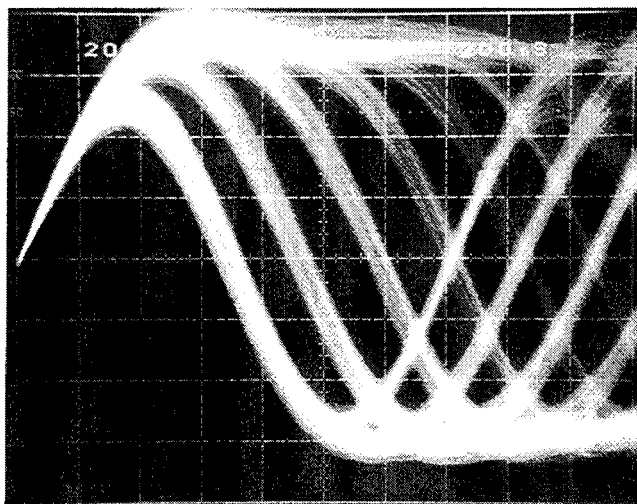
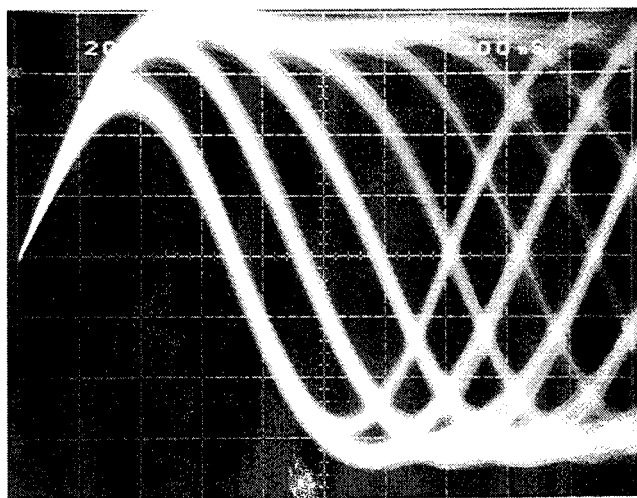
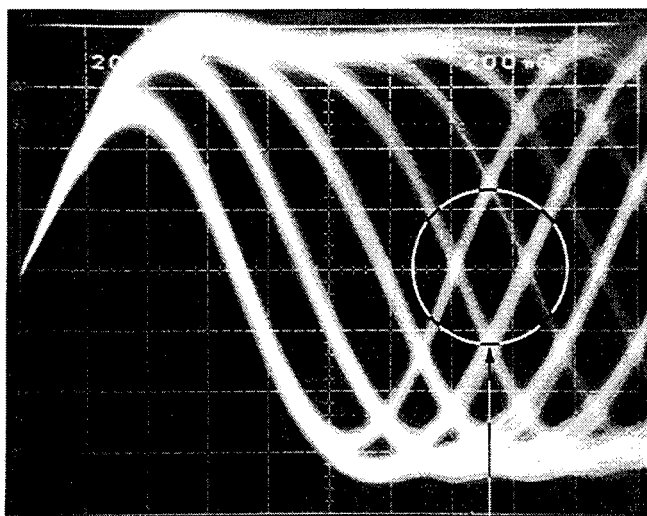


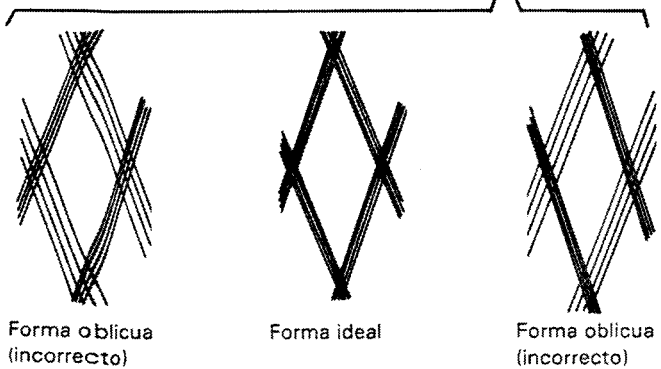
Fig. 10-5 Ajuste tangencial



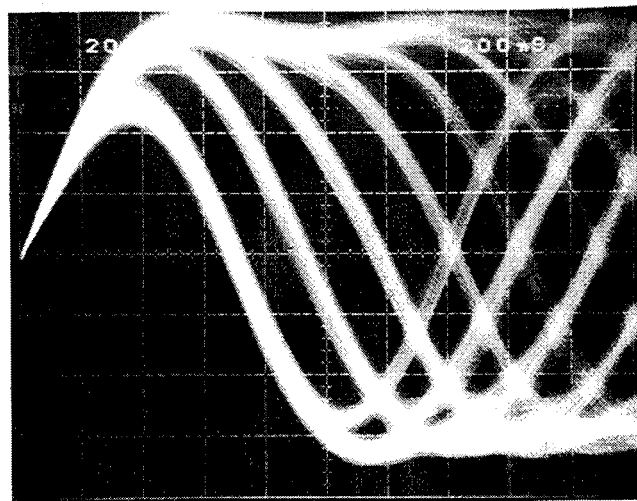
Fotografía 10-9



Fotografía 10-10



Fotografía 10-8



Fotografía 10-11

No. de paso	Margen del osciloscopio		Punto de prueba	Punto de ajuste	Punto de verificación/especificación del ajuste	Secuencia de la operación de ajuste
	V	H				
7	AJUSTE TANGENCIAL					
			TP301 Aguja1 (Salida de RF)	Tornillo de ajuste tangencial	Imagen de cuadrícula óptima	<ul style="list-style-type: none"> • Introduzca el disco de pruebas en el tocadiscos. • Establezca el tocadiscos CD en el modo de pruebas. (Refiérase a la página 74.) • Con la tecla MANUAL SEARCH FWD [▶▶] mueva el fonocaptor al centro del disco. Con el fonocaptor en esta posición se tiene acceso al tornillo de ajuste de tangencial desde arriba. (Vea la Fig. 10-5.) • Presione la tecla TRACK FWD [▶▶▶], la tecla PLAY [▶] y la tecla PAUSE [■] en este orden para cerrar todos los servodispositivos. (Se encenderá el indicador PAUSE.) • Observe la forma de onda de la salida de RF en la aguja ① TP301 RF en el osciloscopio. Gire el tornillo de ajuste de tangencial hasta que se logre la única imagen ideal de cuadrícula. (Fig.10-5). • El punto de ajuste idóneo es aquel en el cual si se gira más el tornillo de ajuste de tangencial en cualquier dirección, se degrada la imagen de cuadrícula. El objetivo es lograr una buena imagen de forma de onda con líneas cruzadas que formen una sola figura en forma de diamante (Fotografía 10-8). En el punto de ajuste idóneo incluso podrá distinguir las líneas relativamente claras que forman el diamante.

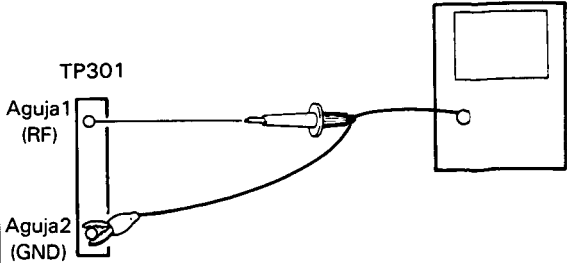
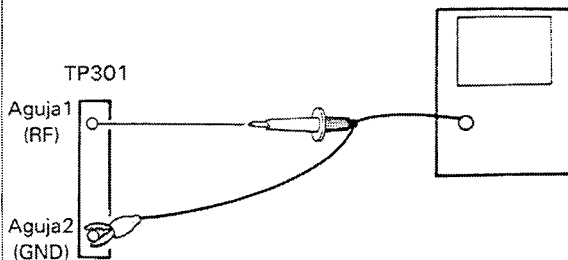
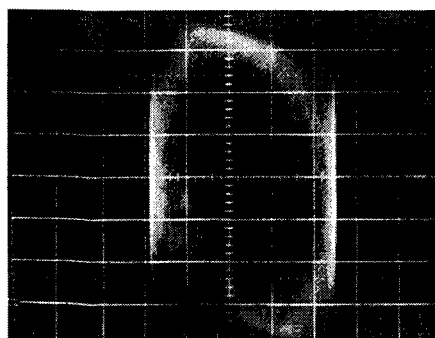
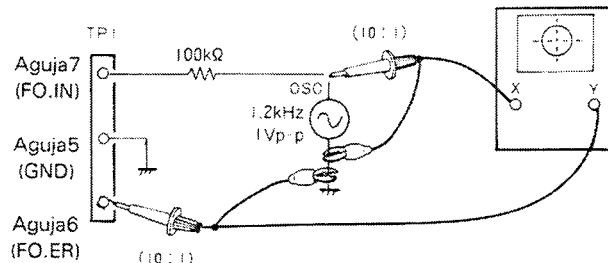


Fig. 10-4

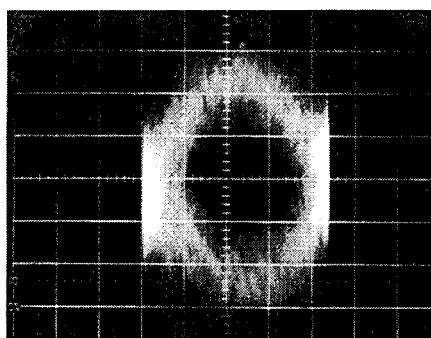
No. de paso	Margen del osciloscopio		Punto de prueba	Punto de ajuste	Punto de verificación/especificación del ajuste	Secuencia de la operación de ajuste
	V	H				
8	AJUSTE RADIAL					<ul style="list-style-type: none"> • Introduzca el disco de pruebas en el tocadiscos. • Establezca el tocadiscos CD en el modo de pruebas. (Refiérase a la página 74.) • Con la tecla MANUAL SEARCH FWD [▶▶] mueva el fonocaptor al centro del disco. Con el fonocaptor en esta posición se tiene acceso al tornillo de ajuste radial desde arriba. (Vea la Fig. 10-5.) • Presione la tecla TRACK FWD [▶▶▶], la tecla PLAY [▶] y la tecla PAUSE [■] en este orden para cerrar todos los servodispositivos. (Se encenderá el indicador PAUSE.) • Observe la forma de onda de la salida de RF en la aguja ① TP301 RF en el osciloscopio. Gire el tornillo de ajuste radial hasta que se logre la única imagen ideal de cuadrícula. (Fig. 10-5). • El punto de ajuste idóneo es aquel en el cual si se gira más el tornillo de ajuste radial en cualquier dirección, se degrada la imagen de cuadrícula. El objetivo es lograr una buena imagen de forma de onda con líneas cruzadas que formen una sola figura en forma de diamante (Fotografía 10-8). En el punto de ajuste idóneo incluso podrá distinguir las líneas relativamente claras que forman el diamante. • Cerciórase de realizar los ajustes tangencial y radial alternativamente más de dos veces.
			TP301 Aguja1 (Salida de RF)	Tornillo de ajuste radial	Imagen de cuadrícula óptima	 <p>Fig. 10-4</p>

No. de paso	Margen del osciloscopio		Punto de prueba	Punto de ajuste	Punto de verificación/especificación del ajuste	Secuencia de la operación de ajuste
	V	H				
9	COMPROBACIÓN DEL NIVEL RF					
			TP301 Aguja1 (RF)	Comprobación	1.6V ± 0.1V	<ul style="list-style-type: none"> • Establezca el tocadiscos CD en el modo de pruebas. (Refiérase a la página 74.) • Conecte la sonda del osciloscopio en la aguja ① TP301 RF (salida de RF). • Mientras reproduce el disco de pruebas, mida la tensión P-P de la forma de onda de RF para comprobar que seade 1,6V ± 0,1V. • Si el nivel de tensión P-P no es de 1,6V ± 0,1V, ajuste VRⒶ hasta que el nivel de tensión sea el correcto.
			TP301 Aguja1 (RF)	VRⒶ	1.6V ± 0.1V	

No. de paso	Margen del osciloscopio		Punto de prueba	Punto de ajuste	Punto de verificación/especificación del ajuste	Secuencia de la operación de ajuste
	V	H				
10	AJUSTE DE LA GANANCIA DE FOCO					
	CH1 (X), CH2 (Y) 20mV/div, 5mV/div Sonda 10: 1		Eje X TP1 Aguja7 (FO.IN) Eje Y TP1 Aguja6 (FO.ER)	VR3 (FO.GA)	90° de diferencia de fase	<ul style="list-style-type: none"> • Con la alimentación desconectada, conecte el osciloscopio y el generador de señales tal como se indica en la Fig. 10-6. • Establezca el tocadiscos CD en el modo de pruebas. (Refiérase a la página 74.) • Presione la tecla TRACK FWD [▶▶], la tecla PLAY [▶] y la tecla PAUSE [■] en este orden para activar el servofoco, el servoeje y el servoseguimiento. • Conecte el generador de señales y dé salida a una señal de 1,2kHz a 1Vp-p. Nota: Algunos generadores de señales generan momentáneamente corriente de CC cuando se los conecta. Por esta razón, es aconsejable conectar el osciloscopio después de haber conectado el generador de señales. • Ajuste VR3 (FO.GA; ganancia de foco) de manera que la figura de Lissajous del osciloscopio sea un círculo perfecto (90° de diferencia de fase).



Fotografía 10-12
Ganancia demasiado alta



Fotografía 10-13 Ganancia óptima

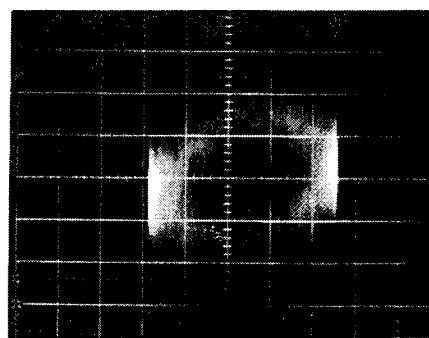


Fig. 10-6
Fotografía 10-14 Ganancia demasiado baja

No. de paso	Margen del osciloscopio		Punto de prueba	Punto de ajuste	Punto de verificación/especificación del ajuste	Secuencia de la operación de ajuste
	V	H				
11	AJUSTE DE LA GANANCIA DE SEGUIMIENTO					
	CH1 (X), CH2 (Y) 50mV/div, 5mV/div Sonda 10: 1		Eje X TP1 Aguja3 (TR.IN) Eje Y TP1 Aguja4 (TR.ER)	VR4 (TR.GA)	90° de diferenc de fase	<ul style="list-style-type: none"> • Con la alimentación desconectada, couecte el osciloscopio y el generador de señales tal como se indica en la Fig. 10-7. • Establezca el tocadiscos CD en el modo de pruebas. (Refiérase a la página 74.) • Presione la tecla TRACK FWD [▶▶], la tecla PLAY [▶] y la tecla PAUSE [■] en este orden para activar el servofoco, el servoeje y el servoseguimiento. • Conecte el generador de señales y dé salida a una señal de 1kHz a 2Vp-p. Nota: Algunos generadores de señales generan momentáneamente corriente de CC cuando se los conecta. Po esta razón, es aconsejable conectar el osciloscopio después de haber conectado el generador de señales. • Ajuste VR4 (TR.GA: ganancia de seguimiento) de manera que la figura de Lissajous del osciloscopio sea un círculo perfecto (90° de diferencia de fase).

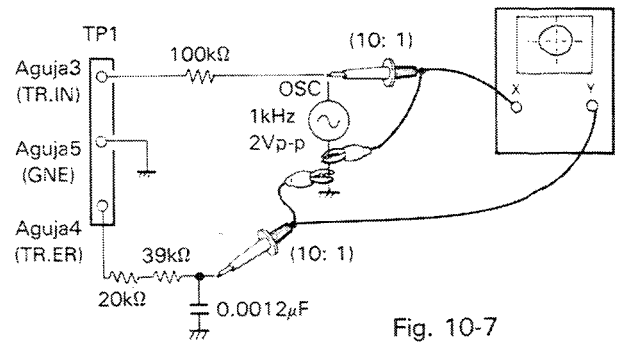
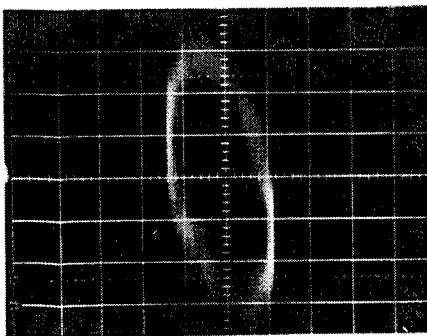
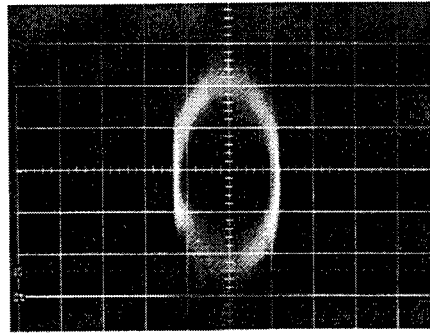


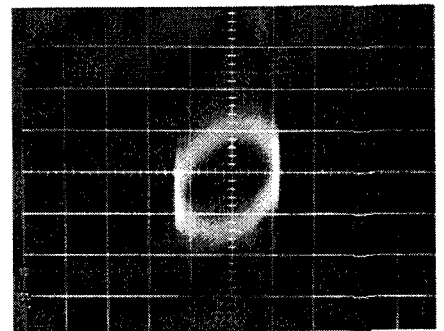
Fig. 10-7



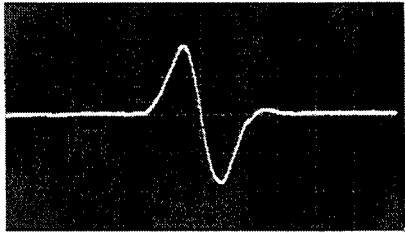
Fotografía 10-15
Ganancia demasiado alta



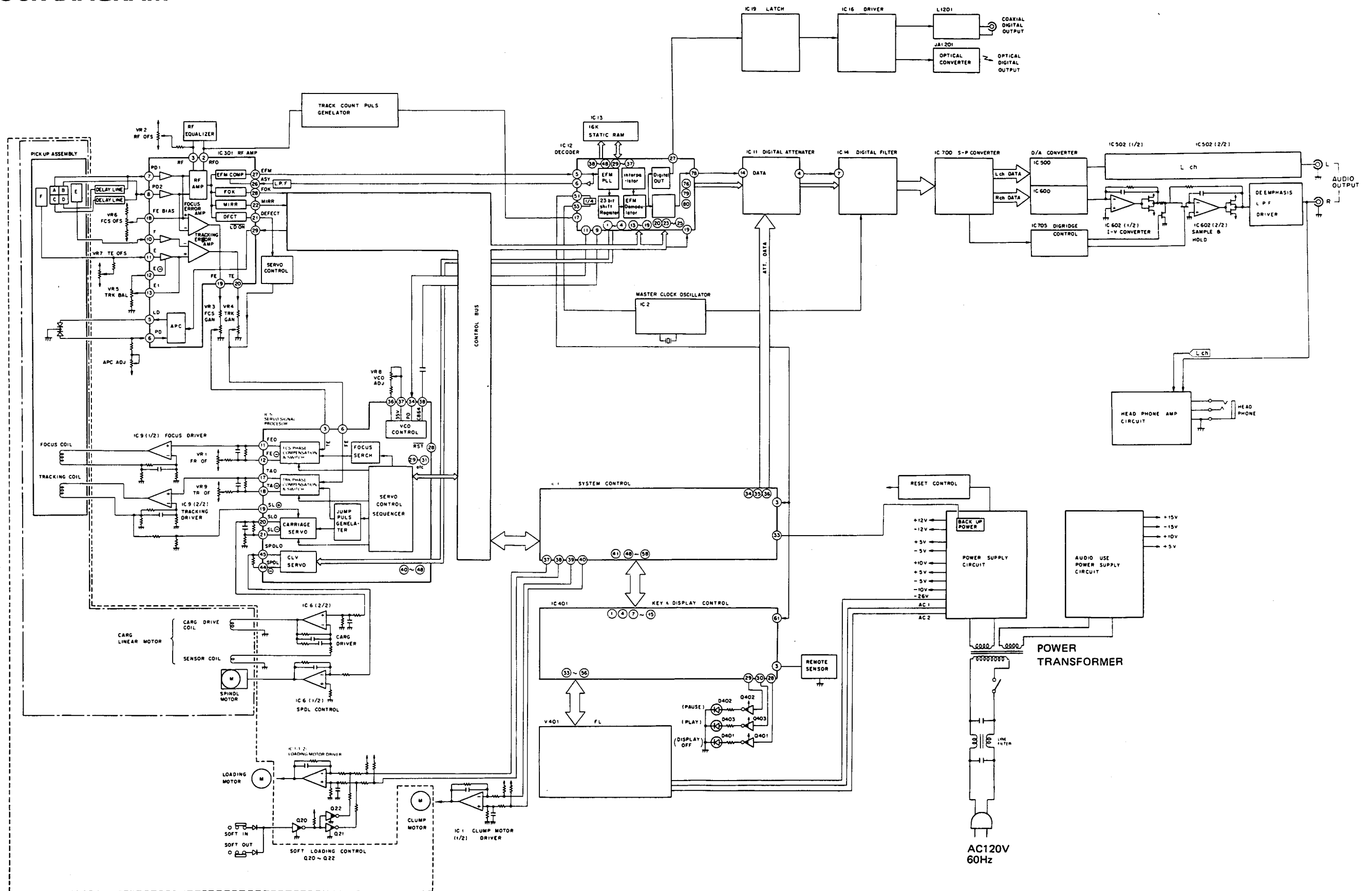
Fotografía 10-16 Ganancia óptima



Fotografía 10-17
Ganancia demasiado baja

No. de paso	Margen del osciloscopio		Punto de prueba	Punto de ajuste	Punto de verificación/especificación del ajuste	Secuencia de la operación de ajuste
	V	H				
12	AJUSTE DE FRECUENCIA EN MARCHA LIBRE DE VCO					
			TP3 Aguja2		Frecuencia 4.375MHz ± 0.05MHz	<ul style="list-style-type: none"> Establezca el tocadiscos CD en el modo de pruebas. (Refiérase a la página 74.) Cortocircuite los puentes de conexión ASY y GND con una pinza cocodrilo. Conecte un frecuencímetro (10MHz de margen) a la aguja ② TP3 . Ajuste VR8 (VCO.A) hasta que obtenga una lectura de 4,375MHz ± 0,05MHz en el frecuencímetro. Nota: Realice este ajuste con el tocadiscos CD en el modo de parada.
13	COMPROBACIÓN DE ERROR DE FOCO					
			TP1 Aguja6 (FO.ER)	Compro- bación	Forma de onda	<ul style="list-style-type: none"> Establezca el tocadiscos CD en el modo de pruebas. (Refiérase a la página 74.) Conecte la aguja ⑦ TP1 (FO.IN: entrada de foco) a GND. Presione la tecla TRACK FWD para comprobar la forma de onda generada por la aguja ⑥ TP1 (FO.ER: error de foco) en el osciloscopio. <div style="text-align: center;"> <p>2V/Div 1mS/Div</p>  <p>Forma de onda en 5 guerada por FO.ER</p> </div>

11. BLOCK DIAGRAM



12. PICK-UP DESCRIPTION

12.1 THE OPTICAL PATH AND OPTICAL PARTS

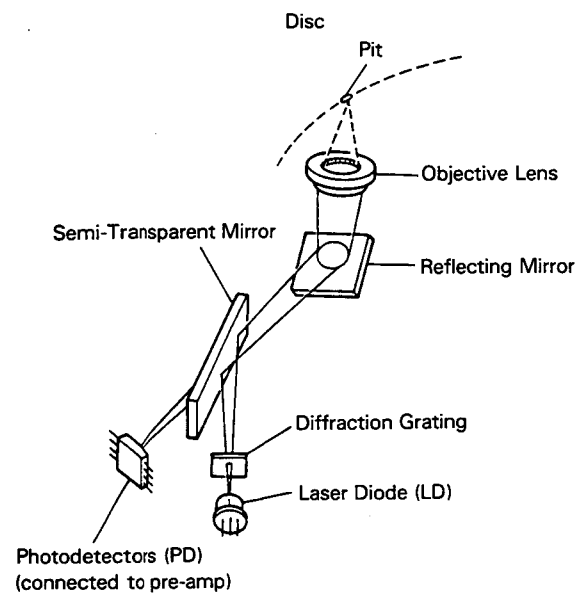


Fig. 12-1

Fig. 12-1 shows the arrangement of the optical assembly, or pick-up. The wave length of the light emitted by the laser diode is 780-790nm and is virtually invisible. The extremely tiny beam of light emitted by the LD is elliptic in form and radiates at a fixed angle of divergence. When the beam hits the diffraction grating it is diffracted into one main beam, 0, and two sub-beams, ± 1 .

Additional sub-beams, $\pm 2, 3 \dots n$, are also generated, but these are weak and not used in the system. Next, the beams hit the semi-transparent mirror where 50% of the light is reflected and the rest is lost. The beam reflected off the semi-transparent mirror then hits the reflecting mirror where all the light is reflected onto the objective lens (finite type).

Because the pick-up in this CD player employs a finite objective lens (called 'finite' because focal length on the LD side is finite), a collimator is not necessary. The objective lens concentrates the reflected light into three extremely narrow beams, a main beam and two smaller sub-beams. The three beams are reflected off the surface of the disc, where again they pass through the objective lens. The beams then hit the semi-transparent mirror again where half of the light is reflected back onto the laser diode and the other half passes through the semi-transparent mirror and reaches the photodetectors.

This is a basic summary of the optical path. Next we will discuss in some detail the important parts in the pick-up.

12.2 IMPORTANT PARTS IN THE PICK-UP ASSEMBLY

(1) The Laser Diode (LD)

A new and smaller LD, the $\phi 5.6$ size, has now been developed to replace the previous $\phi 9$ size. The new LD is more lightweight and generates narrower beams of light.

(2) Objective Lens

Thanks to the introduction of the finite objective lens, the collimator is no longer necessary in the optical assembly. Costs have thus been lowered while still maintaining high pick-up performance.

Although the finite objective lens does not carry parallel beam components the way conventional infinite lenses do, it is nevertheless a high quality objective lens designed to achieve ample optical performance.

(3) Semi-Transparent Mirror

The beams of light reflected off the disc surface pass again through the objective lens and hit the semi-transparent mirror. It is a well known fact that astigmatism of the light beams occurs when they are diagonally aimed at the glass surface of a semi-transparent mirror. In conventional CD players employing such semi-transparent mirrors, the parts in the optical assembly were designed to counteract this astigmatism. In the pick-up of the PD-91, however, this astigmatism is actively utilized by the focus servo.

Furthermore, the multi-lens configuration found in conventional CD players has been discarded in the design of the PD-91. Again, greater cost effectiveness has been achieved without sacrificing high level pick-up performance. In fact, the reduced number of parts in the pick-up means less likelihood of part defects and increased reliability.

(4) Axial Sliding Actuator

Precision positioning of the objective lens is a crucial factor of pick-up performance. In the PD-91 pick-up, the lens is driven by an axial sliding actuator. The actuator insures the maintenance of the micron-level precision required in positioning the objective lens vis-a-vis the audio track on the disc and stable tracking. Another advantage of the axial sliding actuator is the reduction in resonance it enjoys over conventional coil supported actuators and its smooth frequency response.

(5) Plastic Body

Computer simulation technology was used in the design process of the LD. It was determined that a plastic LD body would be most effective in suppressing structural deformation. The actual material to be used, however, was not chosen until the new plastic LD was thoroughly tested and proved that it could provide the same reliable service as conventional aluminum LD assemblies. Part

plasticization also made possible a mounting configuration which had been impossible with conventional aluminum construction. The transition to plastic has substantially reduced the use of bonding agents in part construction thereby improving part reliability.

(6) RF and Servo Signals

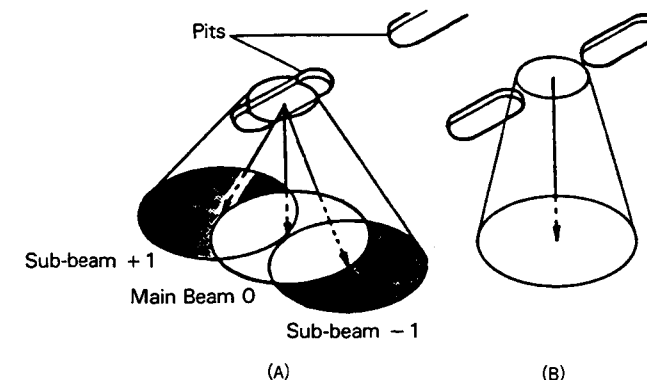


Fig. 12-2 Beam Reflection on the Disc Track Surface

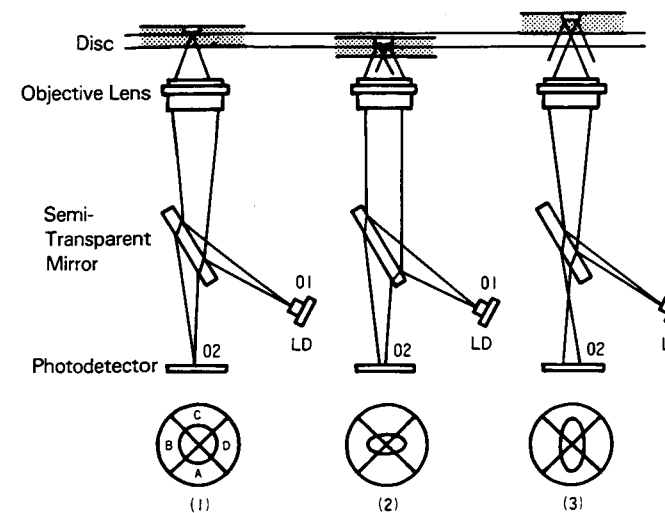


Fig. 12-3 Beam Focus on the Disc Surface

The light which has been focused and narrowed by the objective lens must be precisely beamed on the lands and pits that make up the signal on the disc track. The light reflected off the disc track passes again through the objective lens and travels through the semi-transparent mirror to the photodetectors.

Fig. 12-2 shows the way the signal is reflected off the disc signal track. In Fig. 12-2 (A) the beam is concentrated on a pit and in (B) it is concentrated between pits, or on land, as it is called. Where the beam is reflected off a pit, as in Fig. 12-2 (A), the light is diffracted and the light in the sections of the figure colored black is not reflected back through the objective lens. Only the center part of

the beam passes back through the objective lens and travels to the photodetectors. In (B), the beam of light is not diffracted by the pit and is completely reflected back through the objective lens and on to the photodetectors. Obviously, the amount of light reaching the photodetectors is greater in (B) than in (A). This is the key to signal transmission in the CD player. The photodetectors sense the two levels (weaker-stronger, or more simply, on-off) of light intensity which is the high frequency EFM signal from the disc and convert it into an electrical signal. The signal is converted into an RF signal by means of an arithmetic circuit.

Fig. 12-3 shows how focus detection works. In (1), the light reflecting back through the objective lens forms a circle which touches all four photodetectors (labeled A through D) equally and signifies that the disc is in focus. The reflected pattern on the photodetectors forms an oval on the four photodetectors when there is a focus error. In (2), the disc is too close to the lens and in (3), the disc is too far. (The diffraction grating has been omitted from the figure for simplicity sake since it is not directly related to the focus signal and correction process.)

In (1) the light emitted from the LD at 01 is reflected and diffracted off the disc surface and concentrated at point 02. In (2), the point at which the light is most concentrated is beyond point 02, and in (3) the light is most concentrated at a point before point 02.

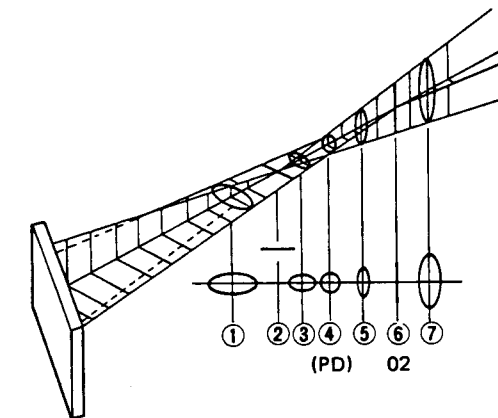


Fig. 12-4 Semi-Transparent Mirror

Fig. 12-4 displays the optical characteristics of the semi-transparent mirror. The lens affects only the vertical direction of the figures and not the lateral direction.

① through ⑦ in Fig. 12-4 show the beam shapes at varying distances from the semi-transparent mirror. Between the straight lines ② and ⑥ is the perfect circle ④. ⑥ corresponds to point (2) in Fig. 12-3. In order to make Fig. 12-4 coincide with Fig. 12-3 (1) to yield a circular beam shape, the photodetector must be set at ④. The beam shape in Fig. 12-3 (2) corresponds to a photodetector position in 12-4 that is relatively closer to the semi-transparent mirror, at about ③, with a horizontally elon-

gated oval shaped beam. Conversely, Fig. 12-3 (3) corresponds to a photodetector position at around ⑤ with a vertically elongated oval.

The possible beam shapes that hit the photodetector are shown in Fig. 12-3. The focus signal is derived by simple arithmetic based on the signals from the four photodetectors: $(A + C) - (B + D)$.

When the objective lens is too near or far from the disc track surface most of the light does not reflect back to the photodetector. When the light that reflects back to the photodetector hits each of the four photodetectors uniformly, the focus signal is 0. When the objective lens moves too far from the disc surface it reflects a vertically elongated oval beam pattern like that of ⑦ in Fig. 12-4 on the photodetectors. In terms of the arithmetic for the focus signal, $(A + C) > (B + D)$ and the focus signal is a plus figure. As the lens moves closer to the disc to correct focus, the beam shape reaches its peak (a vertical line) at ⑥ and the lens continues to move away from the disc surface until $(A + C) - (B + D) = 0$ and the beam reflects a perfect circle on the photodetectors. Conversely, when the objective lens is too close to disc surface, a horizontally elongated oval beam will fall on the photodetector. In terms of the focus signal $(A + C) < (B + D)$ is a minus figure. As the objective lens moves away from the disc, it passes the horizontal line peak at ② and continues until the focus signal is 0. Fig. 12-5 graphs the typical S-shaped curve derived from the $(A + C) - (B + D)$ focus signal.

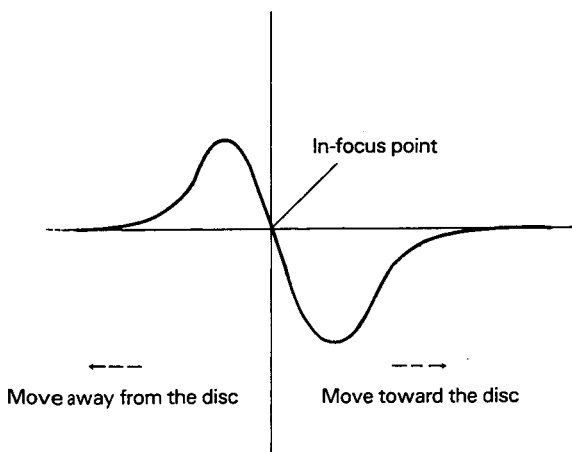


Fig. 12-5 The S-Shaped Curve

The focus servo functions to maintain a focus signal exactly equal to zero. In actuality, however, the very tiny non-linearities at the center of the S-curve show up as residual errors.

Fig. 12-6 shows how the tracking signal is detected.

As already mentioned above, the diffraction grating diffracts the light from the LD into a main beam and two sub-beams which are used to generate the tracking signal. These beams are concentrated on the disc surface in the same way as the main beam. The sub-beams should be equidistant from the main beam on the track surface, positioned in relation to the track surface and main beam as shown in Fig. 12-6. (On the actual track surface the distance from the main beam is actually proportionally larger than is shown in the diagram.) The sub-beams are reflected and diffracted back to their special photodetectors (E,F). If the beam intensity on both photodetectors is equal, the main beam is tracking properly.

Fig. 12-7 shows the wave output of the photodiodes A-F.

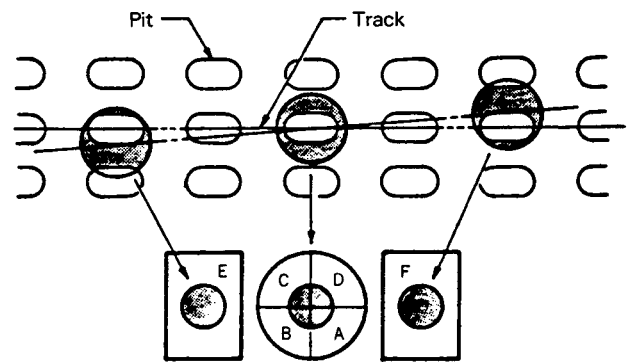


Fig. 12-6 Tracking Error Detection

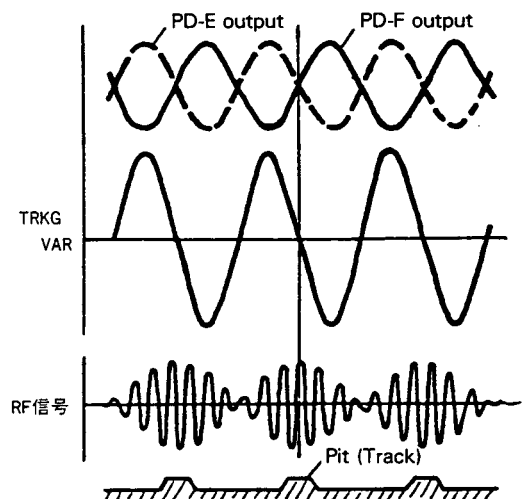


Fig. 12-7 Tracking Error and RF Signals

13. CIRCUIT DESCRIPTION

13.1 PRE-AMP

The pre-amp circuitry processes the pick-up output signal and generates signals destined for servo, decoding and system microprocessor circuitry.

It consists primarily of an IC301:CXA1081S. Below we will discuss this circuitry in some detail. Fig. 13-1 is a block diagram of the CXA1081S.

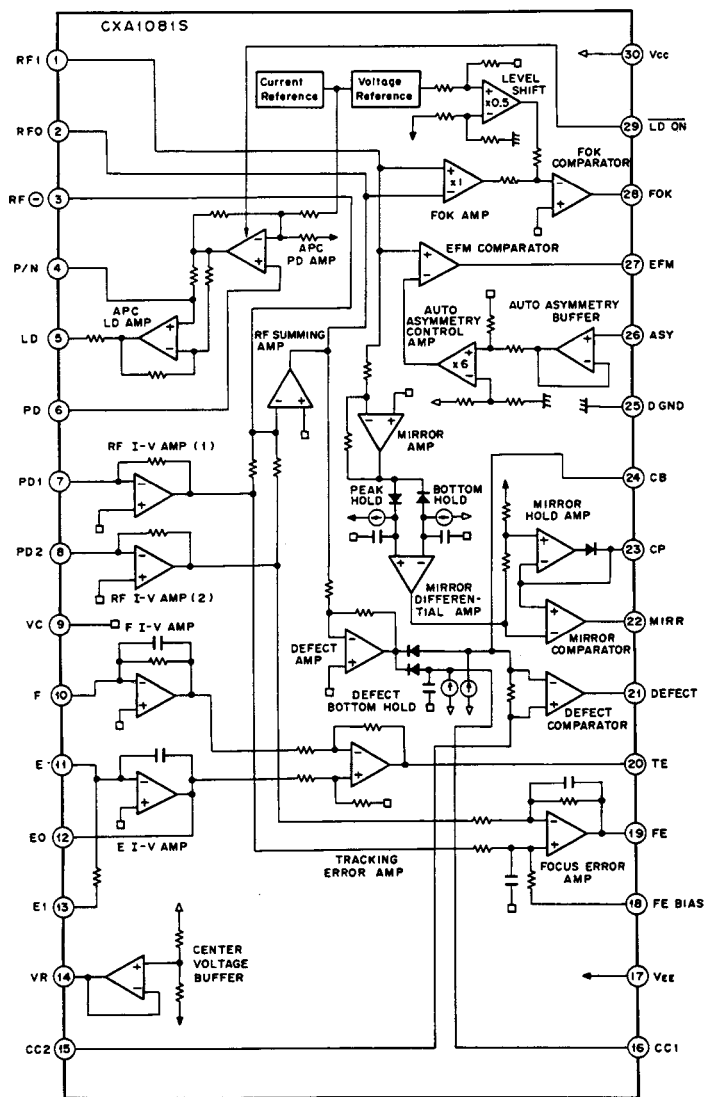


Fig. 13-1

13.1.1 Accufocus System

The PD-91 utilizes an Accufocus System to reduce distortion in the RF signal output by the pickup. Among the four main photodetectors, the output from two of the detectors is ahead of the other two and is delayed before adding with a view towards improved frequency response, distortion, S/N ratio and increased signal readout precision. (See Fig. 13-2.)

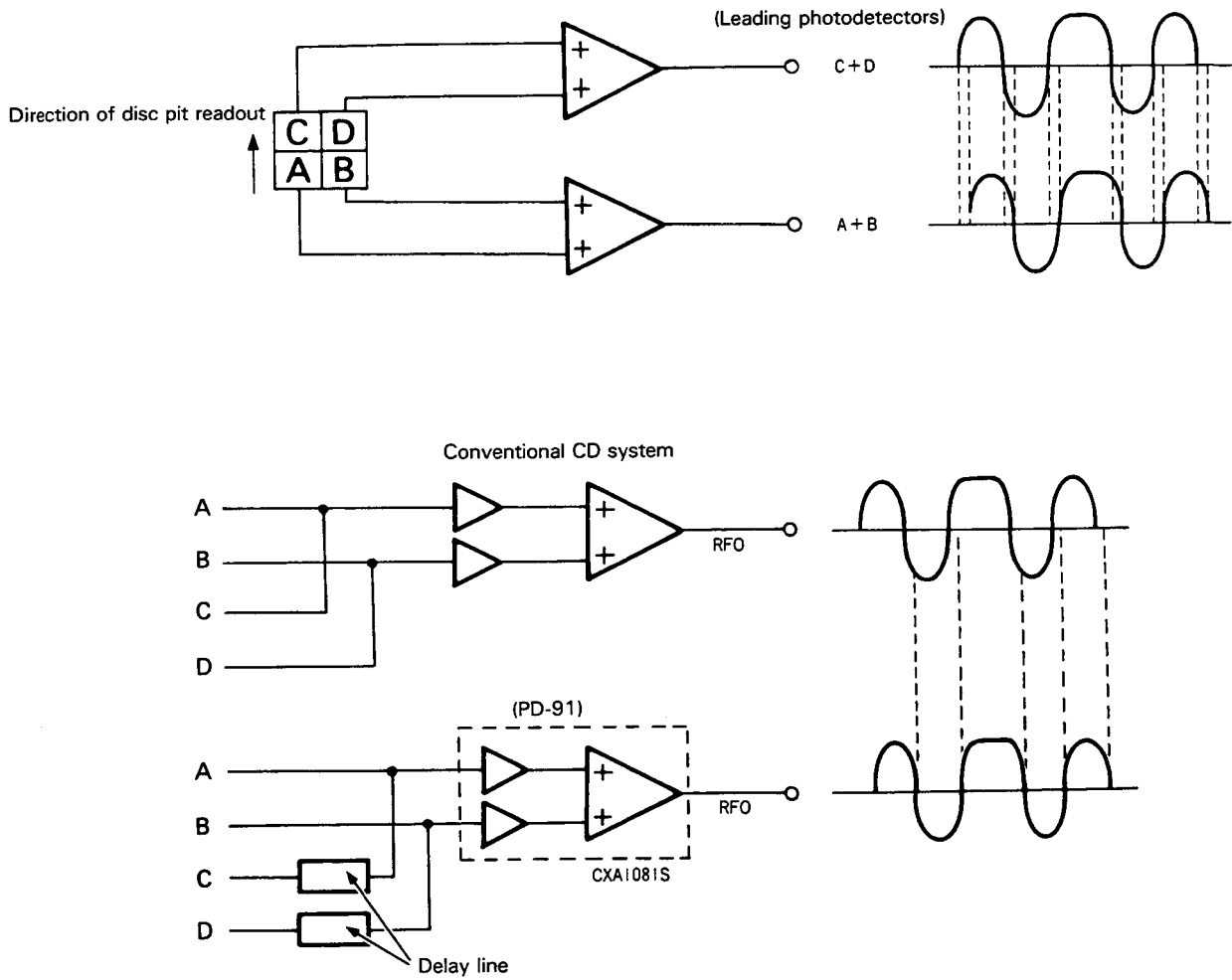


Fig. 13-2



13.1.2 RF Amp

The output voltage from the photodiodes, output to input terminals PD1 and PD2, is amplified by about 5 times at 58kΩ of resistance by RF I-V amps (1) and (2). The RF summing amp performs signal addition and the output voltage derived from the current to voltage conversion of the four photodetectors (A + B + C + D) is output to the RFO terminal. At this terminal an eye pattern check of the beam can be done.

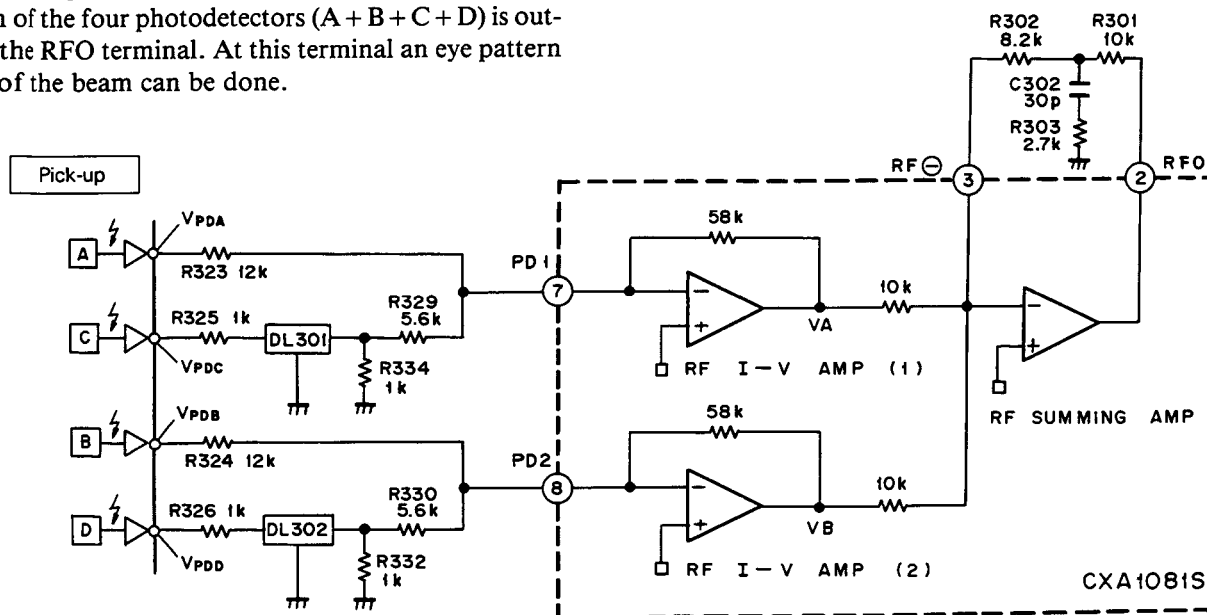


Fig. 13-3

The low frequency components of RFO output voltage V_{RFO} are computed as follows:

$$V_{RFO} = 1.8 \times (V_A + V_B)$$

$$= 1.8 \times \frac{58K}{12K} \times (V_{PDA} + V_{PDB} + V_{PDC} + V_{PDD})$$

13.1.3 Focus Error Amp

The Focus Error Amp subtracts the output (VB) of RF I-V amp (2) from the output (VA) of RF I-V amp (1) and outputs the voltage derived from the current to voltage conversion of photodetectors (A + C) - (B + D).

FE output voltage (low frequency) is:

$$V_{FE} = 5.4 \times (V_A - V_B)$$

$$= 5.4 \times \frac{58k\Omega}{12k\Omega} \times (V_{PDA} + V_{PDC} - V_{PDB} - V_{PDD})$$

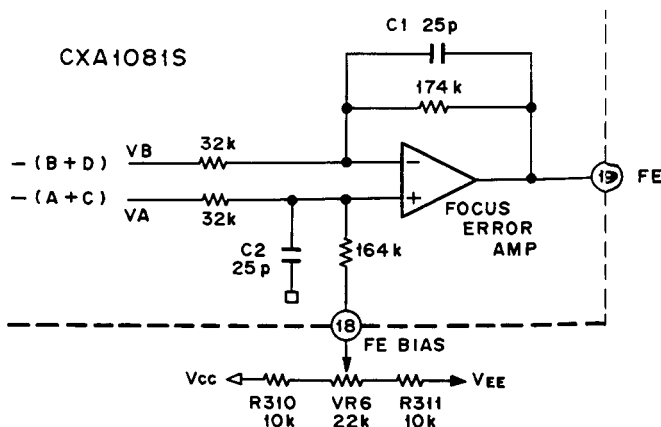


Fig. 13-4

13.1.4 Focus OK Circuit

The Focus OK Circuit creates a timing window for switching from focus search mode to focus servo ON.

Based on the RF signal at pin No. ②, both the HPF output at pin No. ① and the LPF output (in reverse phase) from the Focus OK amp are derived.

When Focus OK output, $V_{RFI}-V_{RFO}$ corresponds to $-0.37V$, it is reversed.

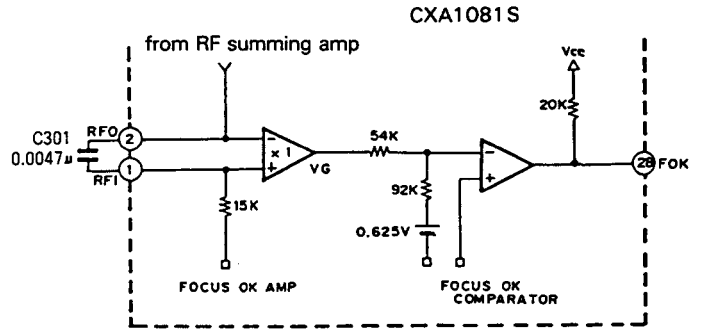


Fig. 13-5

13.1.5 Tracking Error Amp

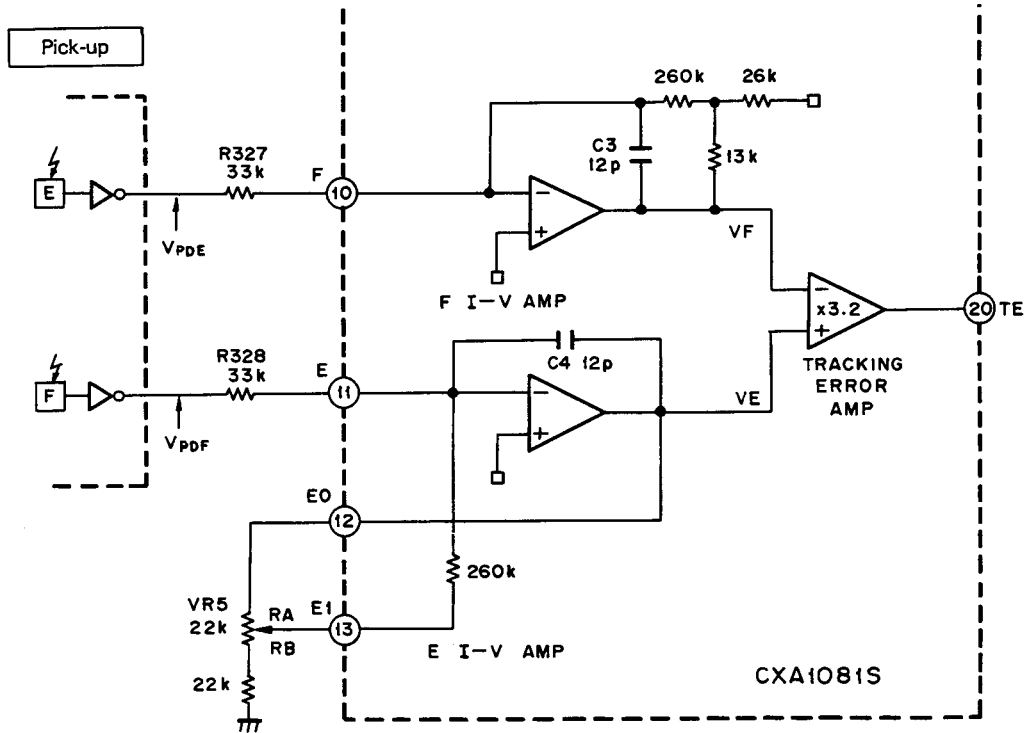


Fig. 13-6

The voltage generated by the side photodetectors (E and F), input to terminals E and F, is amplified by EI-V and FI-V amps.

$$V_F = \frac{403k\Omega}{33k\Omega} \times V_{PDE}$$

$$V_E = \frac{[260k\Omega \times RA / (RB + 22k\Omega) + (RA + 260k\Omega)]}{33k\Omega} \times V_{PDF}$$

The Tracking Error Amp takes the difference in output from EI-V and FI-V amps and derives an output voltage from the current to voltage conversions originating from the E-F photodetectors.

$$V_{TE} = (V_E - V_F) \times 3.2 = (V_{PDE} - V_{PDF}) \times \frac{403k\Omega}{33k\Omega} \times 3.2$$

13.1.6 Mirror Circuit

After the RFI signal is amplified, the Mirror Circuit performs peak and bottom hold functions. Peak hold can handle a traverse signal as high as 30kHz and bottom hold has a time constant that enables it to follow the rotation period of envelope fluctuations.

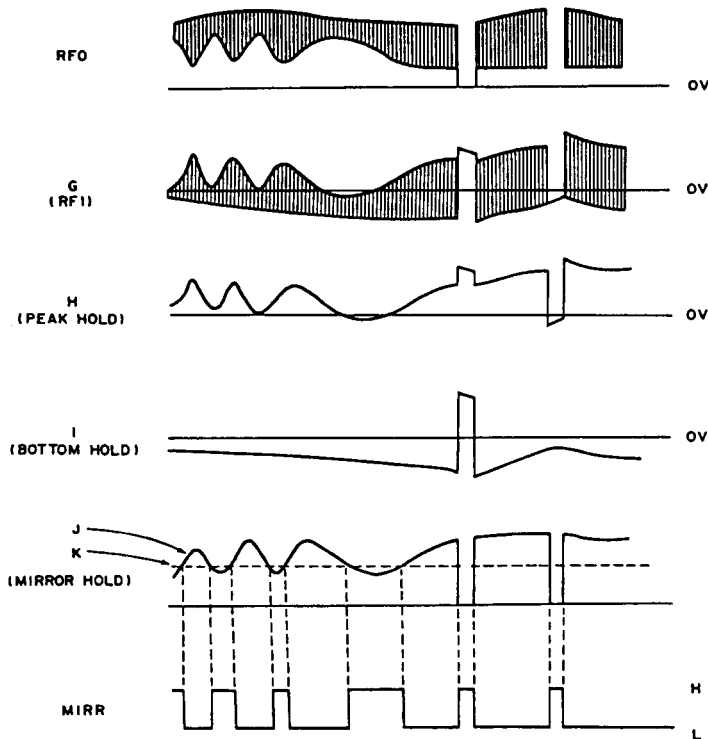
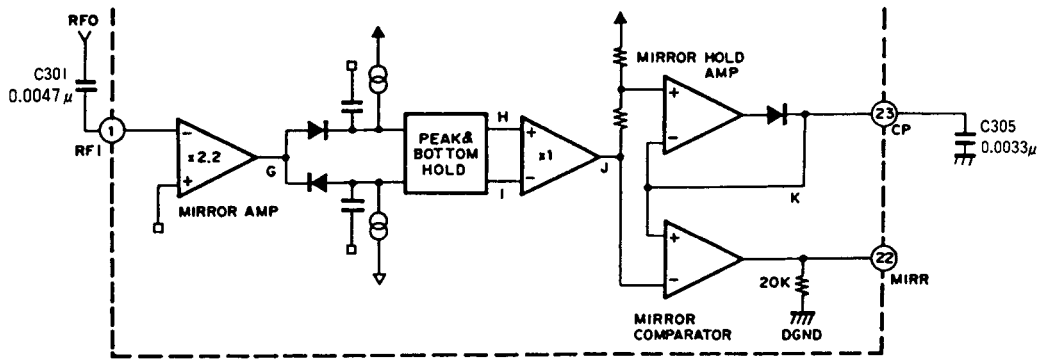


Fig. 13-7

The envelope signal J, DC-reproduced, is obtained by differential amplification of peak and bottom hold signals H and I. Mirror output is derived by a comparison between signal J and the peak hold signal K which is 2/3 of the peak

value at a long time-constant. Mirror output is H when the primary beam is on a mirror (or land) section of the track or when a defect is detected.

13.1.7 EMF Comparator

The EFM comparator functions to convert the RF signal into binary signals. Since the asymmetry that arises as a result of irregularities in the disc track surface cannot be eliminated by mere AC coupling, the system utilizes the fact that there is a 50% probability of occurrence of a 1 or a 0 in the digitized binary EFM signal to control the nominal voltage of the EFM comparator.

Because the EFM comparator works as a current switch, the respective levels of H and L do not become equal to the supply voltage. Therefore, feedback has to be applied through the C-MOS buffer of the decoder.

R47, R314, C91 and C316 constitute a low pass filter for obtaining the DC of $(V_{cc} + DGND)/2(V)$.

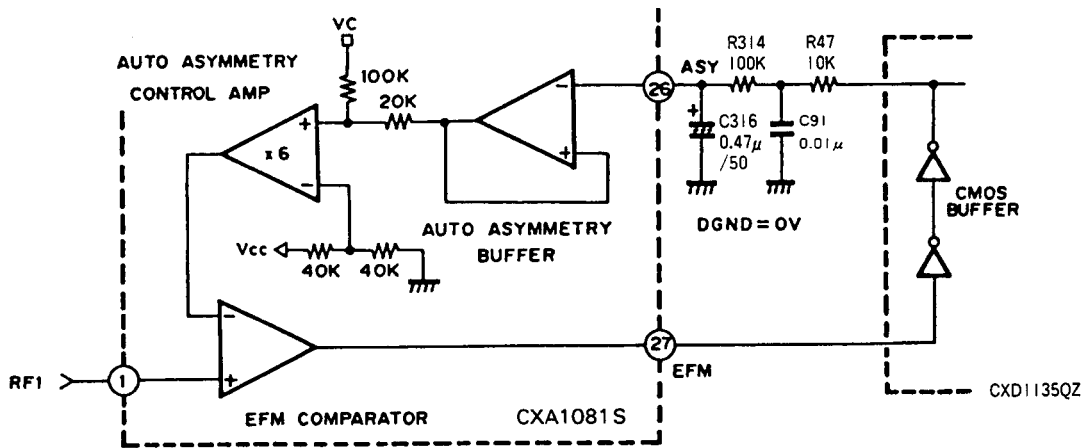


Fig. 13-8

13.1.8 DEFECT Circuit

After the RFI signal is reversed, bottom hold is performed at long and short time-constants. The short time-constant bottom hold responds to defects in the disc mirror surface that are longer than 0.1msec, while the long time-constant bottom hold maintains the level where it was right before the defect was encountered on the disc mirror surface. After passing through a C-coupler, differentiation and level shifting circuit, the surface defect detection signal is generated on the basis of comparison of these two signals.

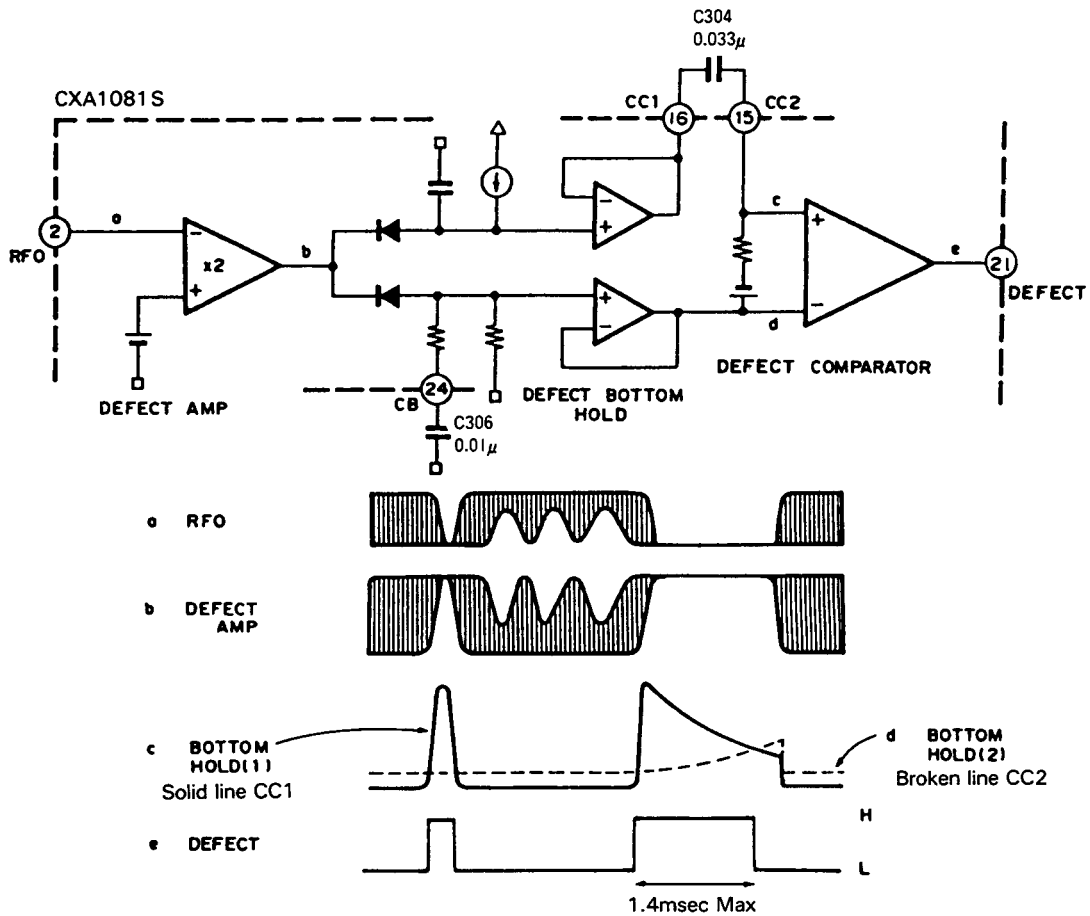


Fig. 13-9

13.1.9 APC (Automatic Power Control) Circuit

Because the LD imposes the thermal characteristics of a large load, LD output must be monitored by a photodetector and the current supply to it controlled to insure constant output. This function is performed by the APC circuit.

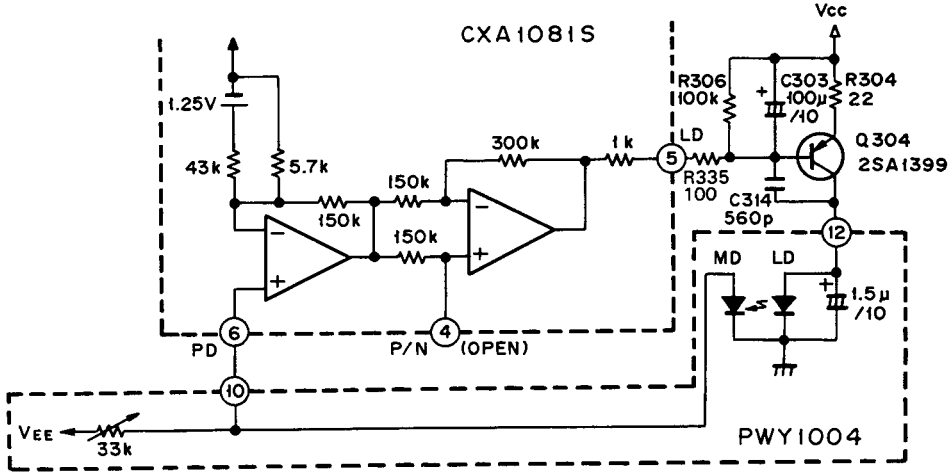


Fig. 13-10

13.1.10 Track Count Pulse Circuit

During a search operation when the carriage makes a large movement, this circuit generates a pulse signal so that the number of tracks jumped can be counted.

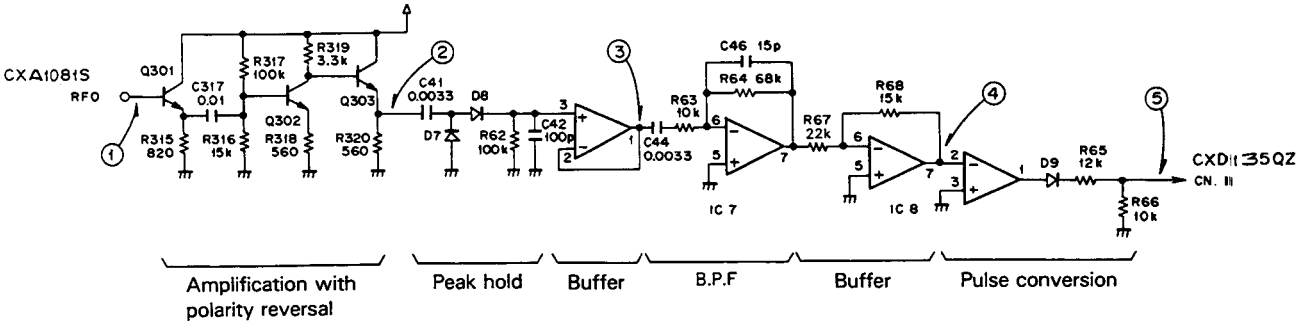


Fig. 13-11

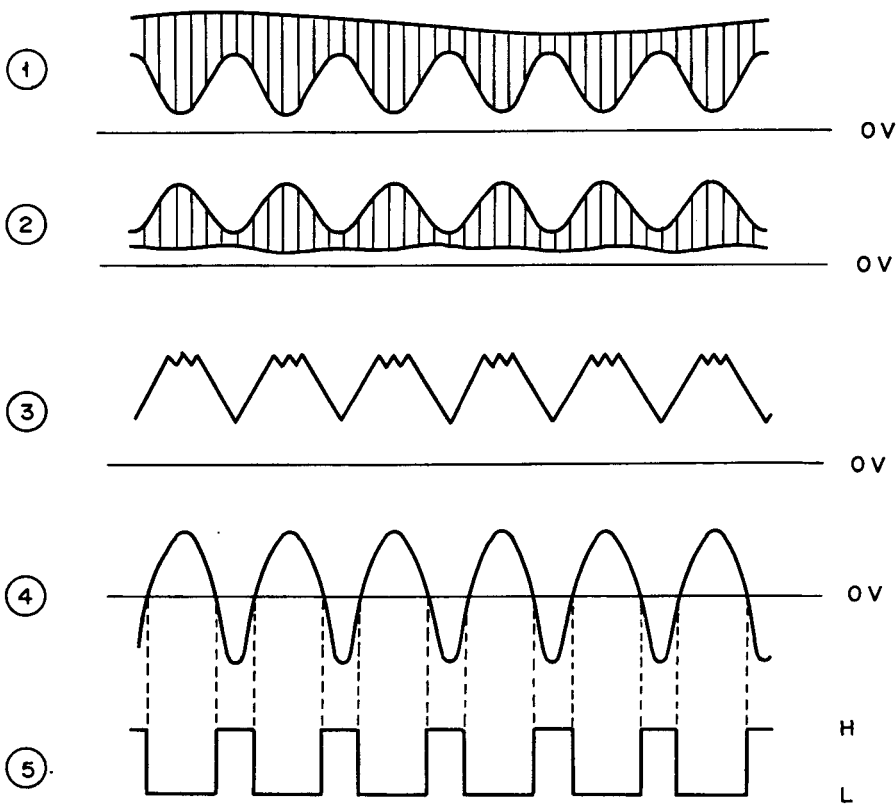


Fig. 13-12

After amplification with polarity reversal of the RFO signal, peak hold is performed and the envelope signal is demodulated (③). The track count pulse (⑤) (corresponding to the RF waveform envelope) is generated by passing the demodulated envelope signal (③) through a 4.8k—156kHz B.P.F. and performing pulse conversion with a zero cross comparator.

Because the detection band of this circuit is in the range 1.2k—125kHz, it can be used when making large carriage movements. (See. Fig. 13-13)

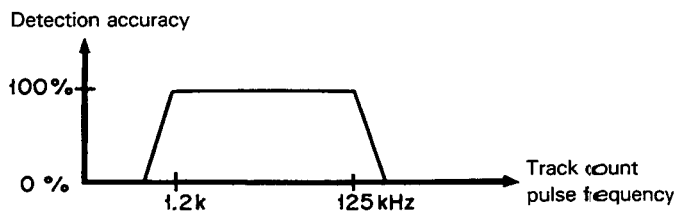


Fig. 13-13

13.2 THE SERVO SECTION

Signals from the system microprocessor control the normal operation of the focus, tracking, carriage, spindle and EFM-PLL servos as well as the control of special functions like focus-in, track skip, etc.

The servo section is primarily made up of IC5: CXA1082AS and IC12: CXD1135QZ. Explanations of the important sections of these ICs are given below.

Figs. 13-14 and 13-15 are block diagrams of the CXA1082AS and CXD1135QZ, respectively.

CXA1082AS

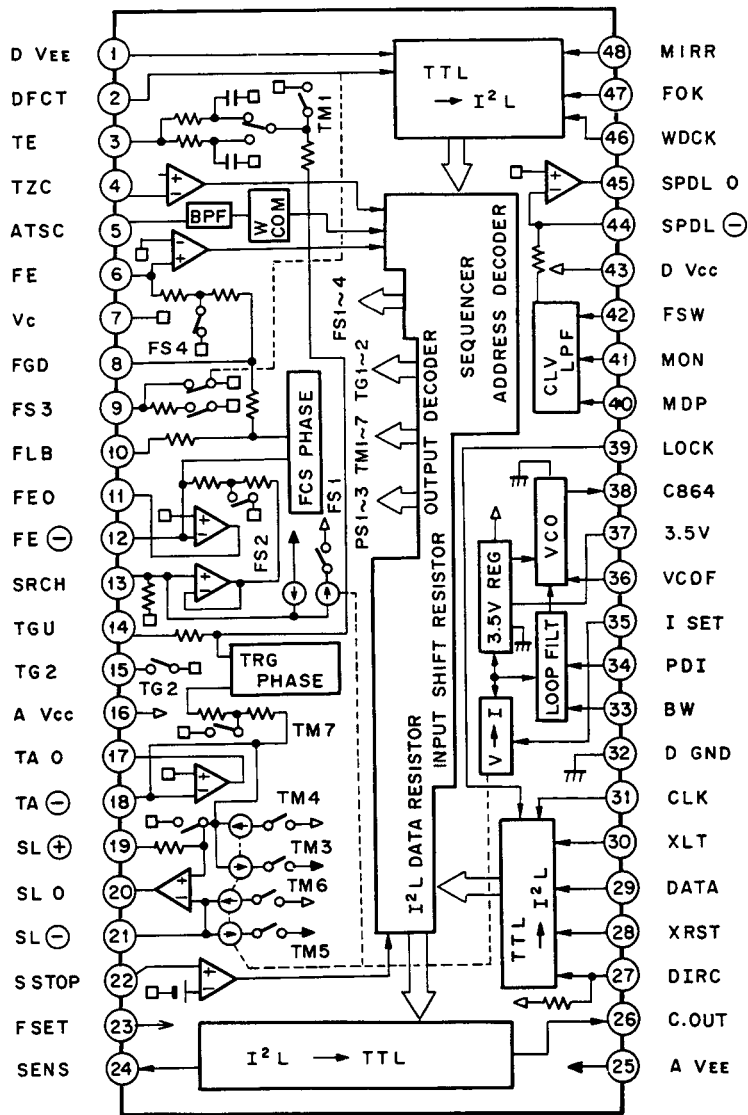


Fig. 13-14

CXD1135QZ

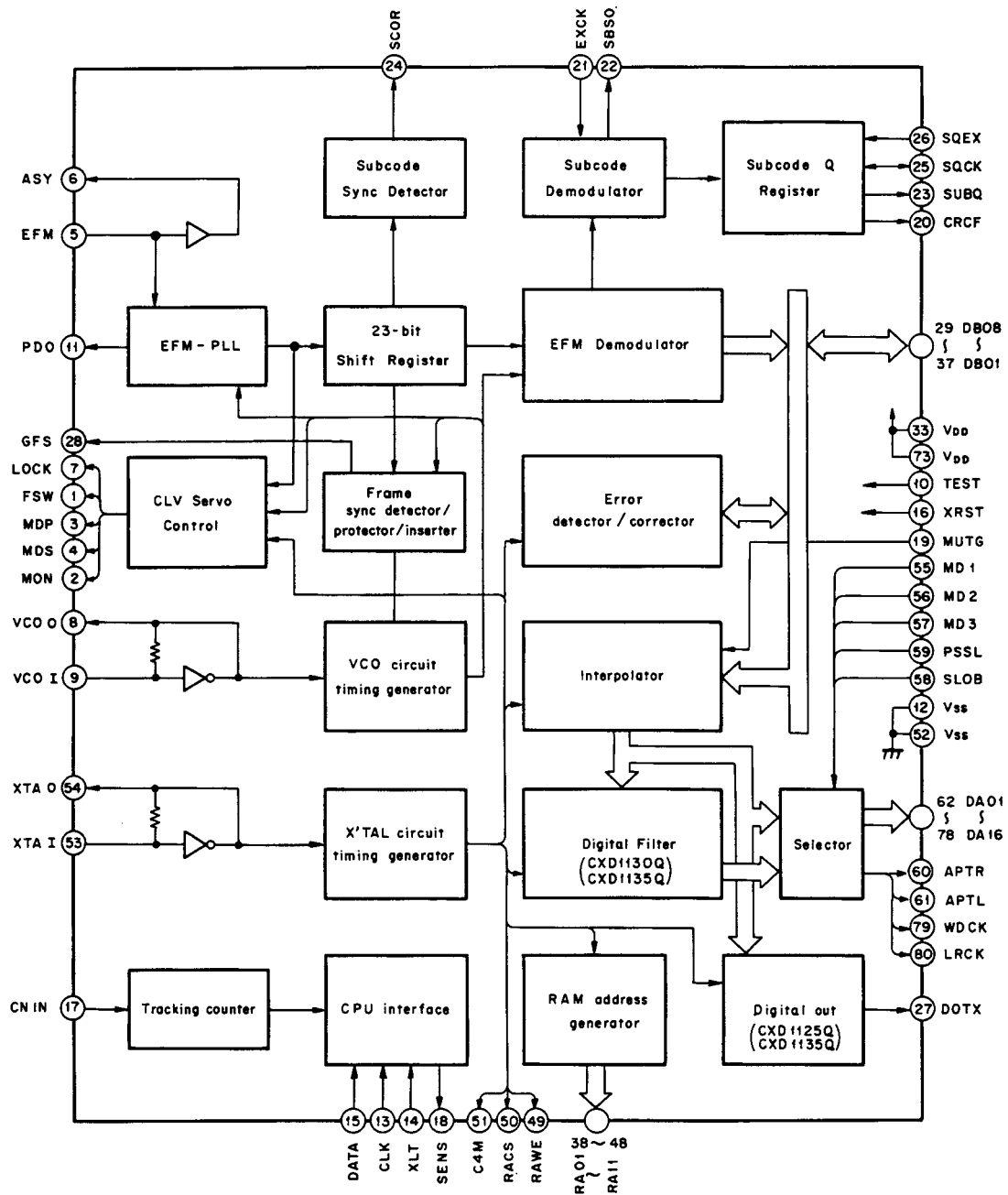


Fig. 13-15

13.2.1 Command Codes

Servo control functions are performed by IC5: CXA1082AS and IC12: CXD1135QZ in conjunction with serial data from the system microprocessor. Detection output from the ICs is output through the SENS terminal.

Control data and detection output are sent via bus line that connects system microprocessor, CXA1082AS and CXD1135QZ. Fig. 13-16 is the CPU Serial Interface Timing Chart and a listing of the timing units and their durations is given in Table 13-1. Table 13-2 lists the system microprocessor data and SENS terminal modes.

Table 13-1

Item	Code	Minimum value	Standard value	Maximum value	Unit
Clock frequency	fck	—	—	1	MHz
Clock pulse width	fwck	500	—	—	ns
Setup time	tsu	500	—	—	ns
Hold time	th	500	—	—	ns
Delay time	td	500	—	—	ns
Latch pulse width	twL	1000	—	—	ns

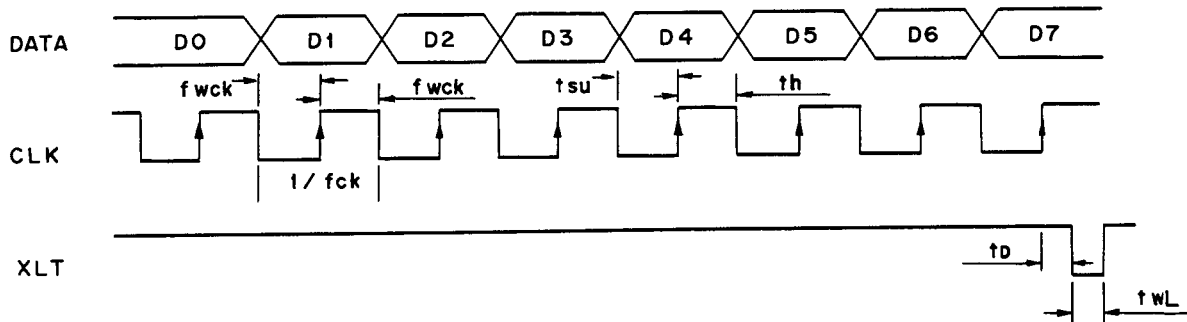


Fig. 13-16 CPU Serial Interface Timing Chart

Table 13-2 System Microprocessor

Control IC	Item	ADDRESS	DATA				SENS output	
		D7D6D5D4	D3	D2	D1	D0		
CXA1082AS	Focus Control	0 0 0 0	FS4 Focus ON	FS3 Gain Down	FS2 Search ON	FS1 Search Up	FZC	
	Tracking Control	0 0 0 1	Anti Shock	Brake ON	TG2 Gain Set	TG1 Gain Set	A.S	
	Tracking Mode	0 0 1 0	Tracking Mode *1		Sled Mode *2		TZC	
	Select *3	0 0 1 1	PS4 Focus Search +2	PS3 Focus Search +1	PS2 Sled Kick +2	PS1 Sled Kick +1	SSTOP	
	Auto Sequency *4	0 1 0 0	AS3	AS 2	AS1	AS0	BUSY	
	RAM SET	Blind (A,E)/Overflow(C)	0 1 0 1	0.18ms	0.09ms	0.045ms	0.022ms	Hi-Z
		Brake (B)		0.36ms	0.18ms	0.09ms	0.045ms	
Kick (D)		0 1 1 1	11.6ms	5.8ms	2.9ms	1.45ms		
Track Jump (N)			64	32	16	8		
Track Move (M)		128	64	32	16			
CXD1135QZ	New function control *6	1 0 0 1	ZCMT	HZPD	NCLV	CRCQ	HiZ	
	Synch protection, Attenuator *7	1 0 1 0	GSEM	GSEL	WSEL	ATTM	Hi-Z	
	Counter set, lower 4 bits *8	1 0 1 1	Tc3	Tc2	Tc1	Tc0	COMPLETE	
	Counter set, upper 4 bits *8	1 1 0 0	Tc7	Tc6	Tc5	Tc4	COUNT	
	CLV control *9	1 1 0 1	DIV	T _B	T _p	GAIN	Hi-Z	
	CLV mode *10	1 1 1 0	CLV mode				Pw26	

Hi-Z : High impedance

*** 1 TRACKING MODE**

	D3	D2
OFF	0 0	0
ON	0 0	1
FWD JUMP	1 1	0
REV JUMP	1 1	1

*** 2 SLED MODE**

	D1	D0
OFF	0	0
ON	0	1
FWD MOVE	1	0
REV MOVE	1	1

***3 SELECT : Focus and carriage kick height control**

***4 AUTO SEQUENCE**

	AS3	AS2	AS1	AS0
CANCEL	0	0	0	0
FOCUS ON	0	1	1	1
1 TRACK JUMP	1	0	0	X
10 TRACK JUMP	1	0	1	X
2N TRACK JUMP	1	1	0	X
M TRACK MOVE	1	1	1	X

X=0 FORWARD
X=1 REVERSE

***5 RAM SET; Auto sequence timing control**

***6 ZCMT; Zero cross mute**

HZPD; EFM-PLL defect countermeasure

NCLV; New CLV-P servo

CRCQ; Q data output sequence

***7 GSEM, GSEL, WSEL; Frame synchronizing signal protection, Internal compensation control**

ATTM; Attenuator control

***8 Tc0-Tc7; Setting the frequency division ratio in the Tracking counter**

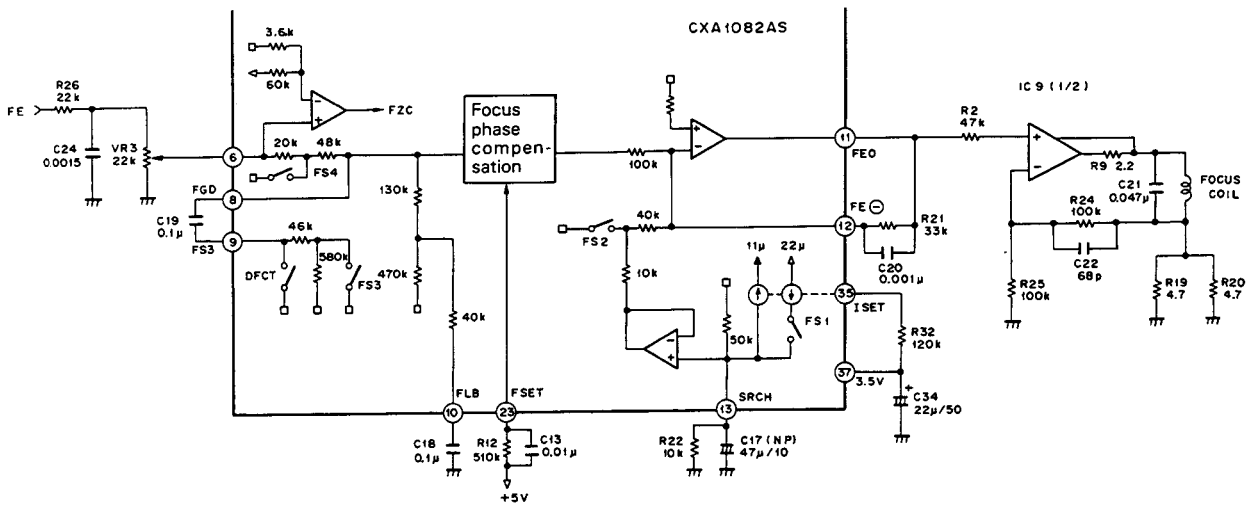
***9 CLV Control; CLV servo control**

***10 CLV MODE**

Mode	D3~D0	MDP terminal	MDS terminal	FSW terminal	MON terminal
STOP	0 0 0 0	L	Z	L	L
KICK	1 0 0 0	H	Z	L	H
BRAKE	1 0 1 0	L	Z	L	H
CLV-S	1 1 1 0	CLV-S	Z	L	H
CLV-H	1 1 0 0	CLV-H	Z	L	H
CLV-P	1 1 1 1	CLV-P	CLV-P	Z	H
CLV-A	0 1 1 0	CLV-S or CLV-P	Z or CLV-P	L or Z	H
CLV-A'	0 1 0 1	CLV-S'P	Z or CLV-P	L or Z	H

Z : high impedance

13.2.2 Focus Servo Circuitry



Above is a block diagram of the focus servo circuitry. When FS3 is ON, higher range gain of the focus servo can be reduced. The control is determined by the low range time-constant generated by the capacitor and internal resistor connected between terminals No. 8 and 9.

Lower range control of the focus servo in the normal playback mode is controlled by the time constant generated by the capacitor located between terminal No. 10 and GND.

The peak frequency of focus phase compensation is inversely proportional to the value of R 12 connected to terminal No. 23. When resistance is 510k, peak frequency is set at approximately 1.2kHz.

The amplitude of the focus search signal obtained when FS1 and FS2 are controlled becomes 1.1Vp-p as in the case of the constants shown in the above diagram. The height

is inversely proportional to the value of R12 which is connected between terminals No. 35 and 37. It should be remembered that when the resistance is altered not only focus search height but the height of track jump and carriage kick as well are altered. The setting can be varied by system control (serial data) within a range of 1 — 4 times.

The standard voltage for the reversed input of comparator FZC is set at 5.7% the value of Vcc and VC (terminal No. 7), i.e., $(V_{cc} - V_C) \times 5.7\%$.

* Altering the resistance value of the resistor connected to terminal No. 23 will at the same time alter the phase compensation peak value for focus, tracking and carriage servo as well as the fc of the CVL LPF. It will, in addition also alter the dynamic range of the OP Amp and offset voltage.

(a) Focus In Sequence

Focus In Sequence drives the lens to the correct focus position over the disc surface, thereby producing the proper S-shaped focus error check waveform to close the servo loop.

The Focus In Sequence uses the built-in auto sequence function (Auto focus, Fig. 13-18) on IC5: CXA1082AS which is shown in Fig. 13-17.

When Focus In does not work on the first try, move the lens up and then down and then repeat the sequence.

Auto Focus (CXA1082AS Auto Sequence)

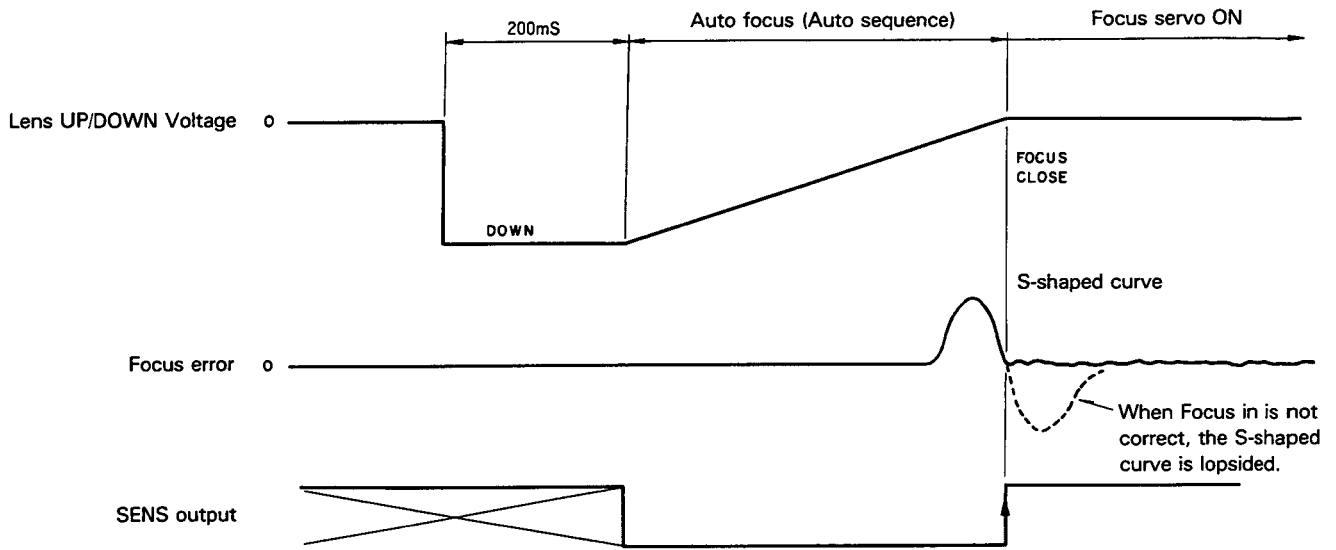


Fig. 13-18

Timing Chart

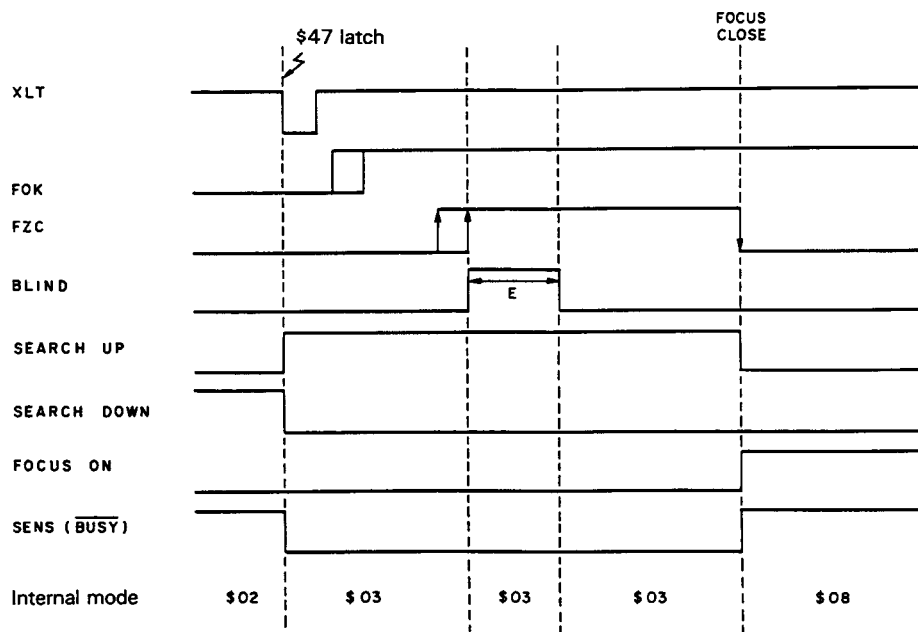


Fig. 13-19

13.2.3 Tracking Carriage Servo Circuitry

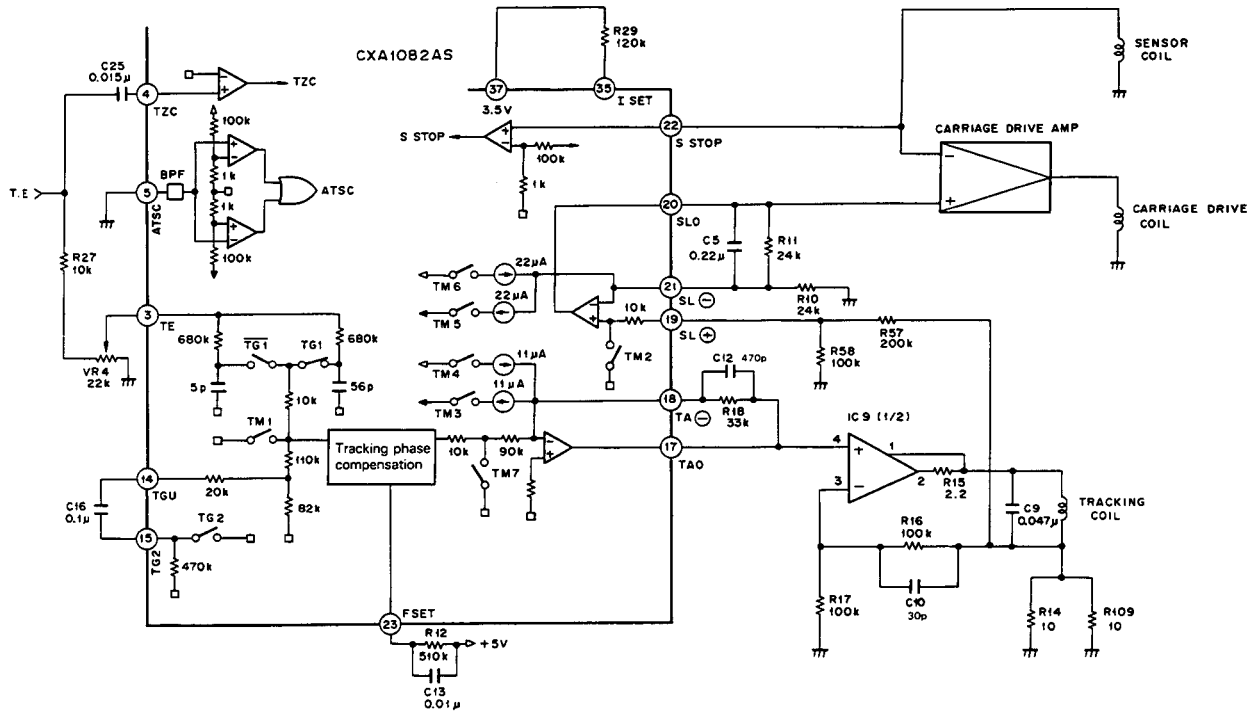


Fig. 13-20

Fig. 13-20 is a block diagram of the tracking carriage servo circuitry.

When TG2 is OFF, the capacitor between terminals No. 14 and 15 generates the time constant for reducing higher range gain. The peak frequency for tracking phase compensation is also inversely proportional to the value of R12 connected to Terminal No. 23. When the resistance is 510kΩ the peak frequency is approximately 1.2kHz.

For track jumping in the forward or reverse directions, TM3 or TM4 must be ON. At that time, the peak voltage of terminal TAO is determined by the current value of TM3 or TM4 and feedback resistor from terminal No. 18, i.e.,

$$\text{Track skip peak voltage} = \text{TM3 (TM4) current value} \times \text{feedback resistance value (R18)}.$$

Either TM5 or TM6 must be ON to operate carriage kick in either forward or reverse. At that time, the peak voltage for terminal SLO is determined by the current value of TM5 or TM6 and feedback resistor from terminal No. 21.

$$\text{Carriage jump peak voltage} = \text{TM5 (TM6) current value} \times \text{feedback resistance value (R11)}.$$

The resistor connected between terminals No. 35 and 37 determines the current level for the switches. When it is set at 120kΩ:

TM3, TM4 are 11μA TM5, TM6 are ±22μA.

The settings for TM5 and TM6 can be varied within a range of ±1 — ±4 times by system control (serial data).

S-STOP is the signal used to detect the point at the innermost circumference of the disc beyond which the linear motor should not go.

Fig. 13-21 is a circuit diagram of the carriage circuitry only.

During normal play, the voltage at resistors R14 and R109 (in the tracking control system) is used as the input for driving the linear motor, and servo control is applied.

The speed feedback loop (shown in the marked off section of Fig. 13-21 which is labeled A) driven by a DC linear generator in the carriage drive amp section has greatly improved carriage response.

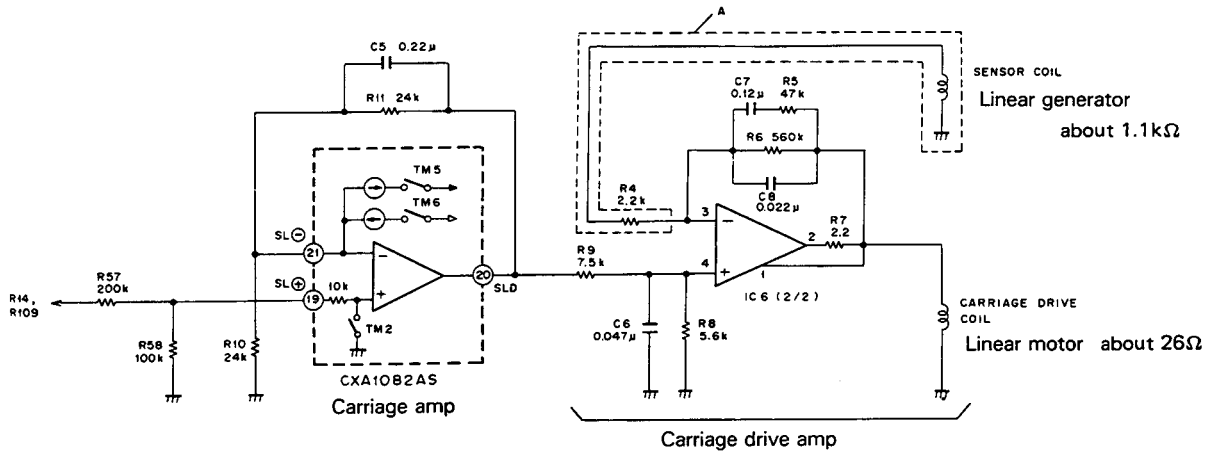


Fig. 13-21

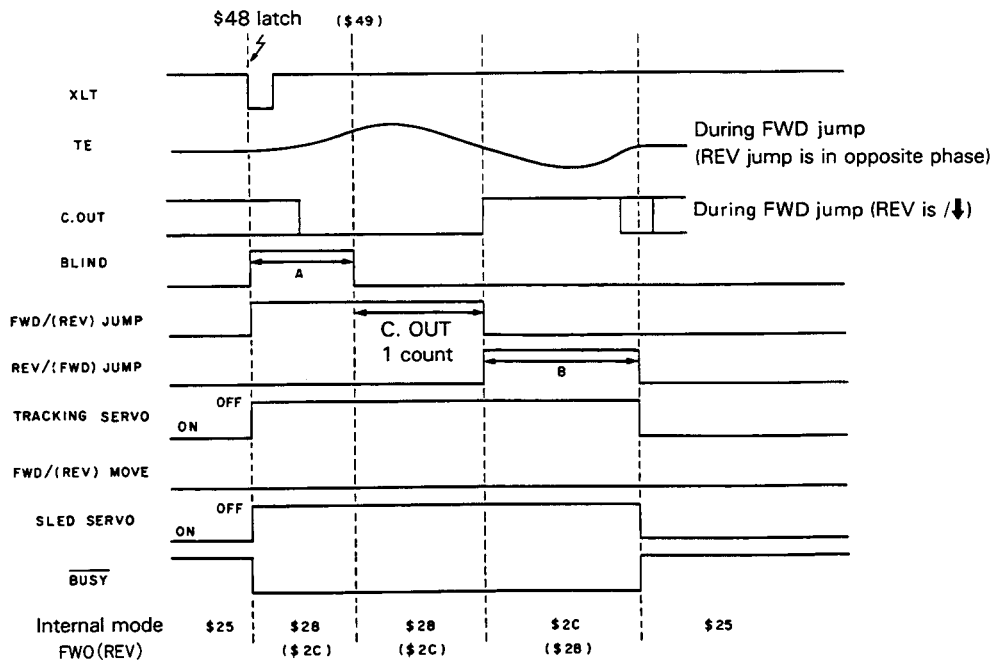
(a) Track Skip

Accessing TRACK SEARCH is done by means of track count jump that rapidly moves the carriage, and track jump which (as described above) uses TM3-5 to kick tracking carriage.

Track jump utilizes the auto sequence function for 1, 10 and 2N track jump (Fig. 13-22,23,24) built into IC5: CXA1082AS. This design is more automated than the conventional design where the sequencer is directly controlled by the system microprocessor.

Auto Sequence Timing Chart

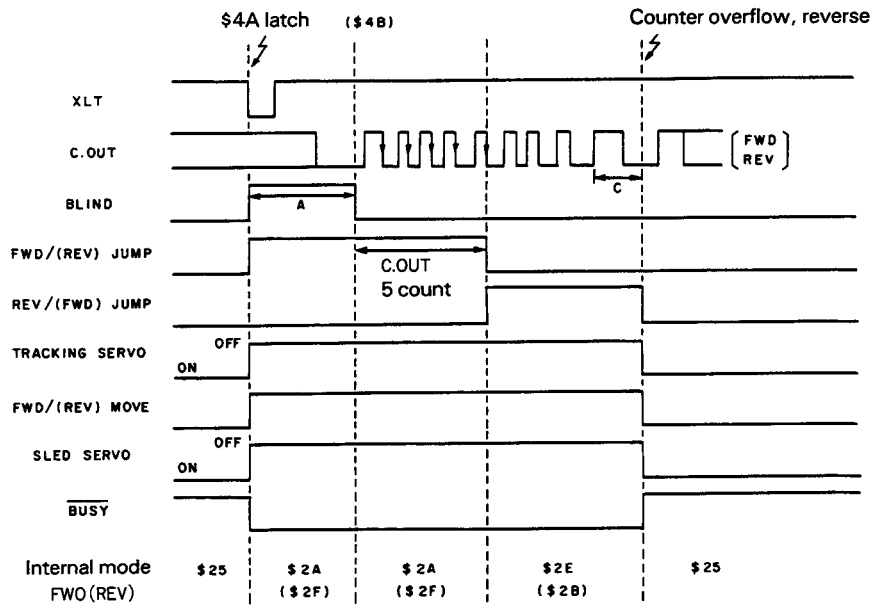
1-Track Skip



BLIND (A), Brake (B) (See Fig. 13-2.)

Fig. 13-22

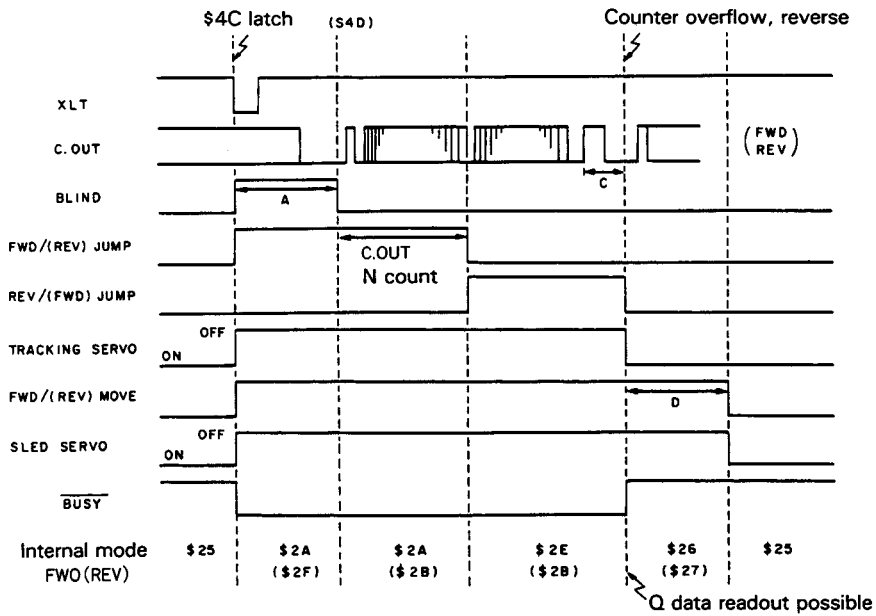
10-Track Skip



BLIND (A) (See Fig. 13-2.)

Fig. 13-23

2N-Track Skip



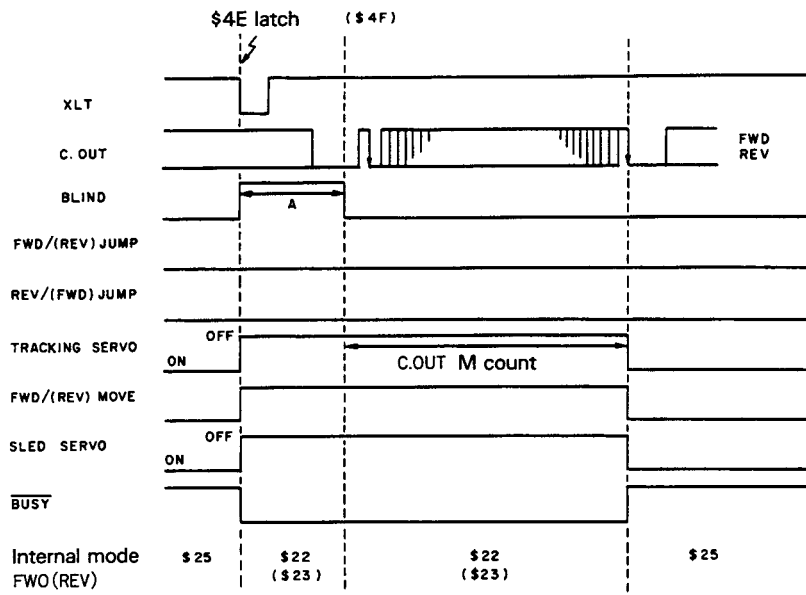
Q data readout possible

BLIND(A), Overflow(C), Kick(D) (See Fig. 13-2.)

Fig. 13-24



M Track Move



BLIND(A) (See Fig. 13-2.)

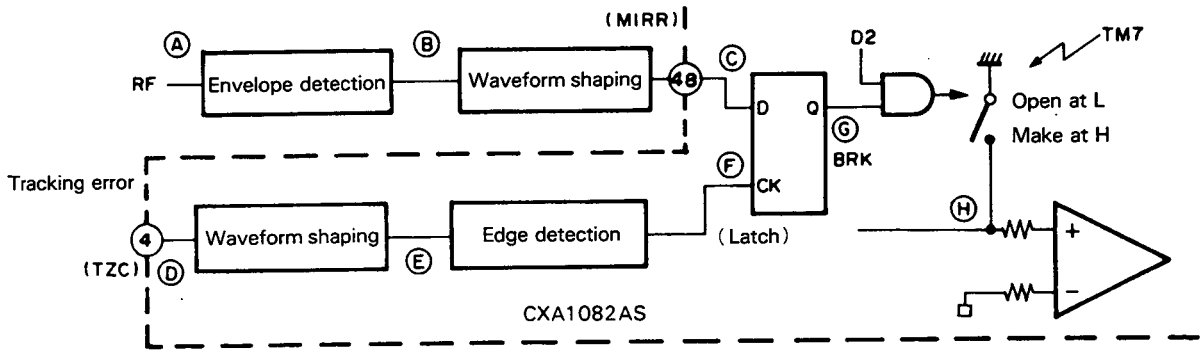
Fig. 13-25

(b) Brake Mode Circuit

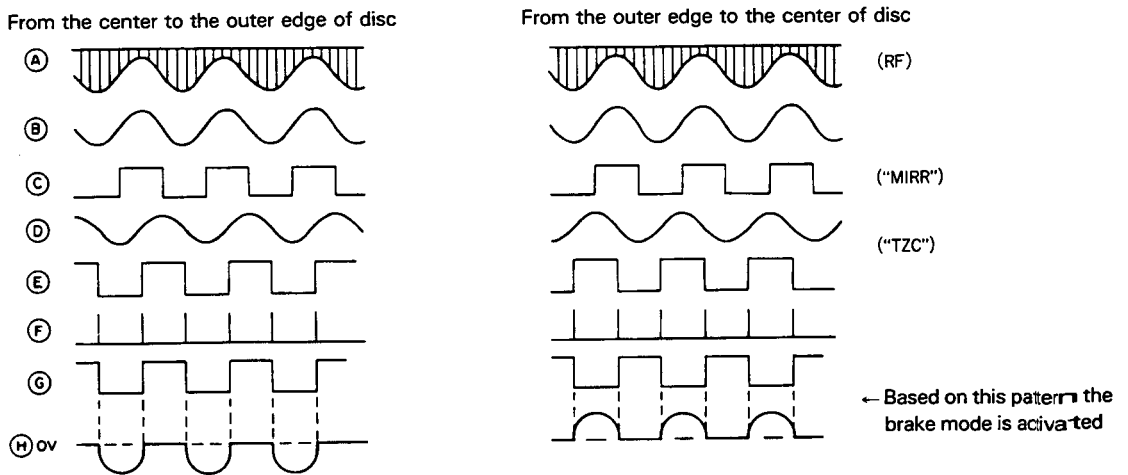
The brake mode facilitates a smooth tracking close when the lens has to be moved in relation to the track after track jump.

The braking operation works by detecting the direction of movement of track and lens on the basis of the phase relation between the RF signal envelope and tracking error, slowing tracking error acceleration and switching the tracking servo into a deceleration mode.

A circuit block diagram and the waveforms in the operation are shown in Fig. 13-26. The brake mode is turned ON/OFF on demand by the system microprocessor.



How TM7 Works



Waveforms

Fig. 13-26

13.2.4. Spindle Servo Circuitry (CLV Servo)

The CLV servos control spindle rotation based on the frame synchronizing signal which includes the EFM signal. There are four sets of servos: the two coarse servos, CLV-S/CLV-S', applied when the tracking servo is open, the CLV-H servo applied during high speed access, and the CLV-P servo applied when locked. Additional servos include CLV-A, employed for the automatic switching mode between CLV-S and CLV-P, and CLV-A' for the automatic switching mode between CLV-S' and CLV-P. Depending on the mode of operation, the system microprocessor (serial data) activates the suitable servo.

We take the operation of CLV-A governing the switching between CLV-S and CLV-P as an example for explanation. If, while CLV-S is applied, we take one 8.4672MHz cycle to be T and set the frame synch signal pulse at 22T, the applied servo functions to keep disc speed at the same speed as when the PLL lock is on. Then, when the disc EFM signal clock is taken as the standard frequency, the lock discriminant signal, "LOCK", changes from L → H. In response to this, CXD1135QZ switches from CLV-S to CLV-P. CLV-P does a phase comparison between WFCK (output by the VCO synchronized to the EFM signal) and RFCK (output by X'tal) and functions to keep the two equal. If CLV-P's lock should err during PLAY, servo control will immediately go to CLV-S and the whole set of operations here will once again be performed.

CXD1135QZ outputs the signals utilized by the various servos: Signals MDP (phase error signal when CLV-P is applied and speed error signal when CLV-S/S'/H are applied), FSW (filter time constant switch signal), MDN (motor ON/OFF signal). As Fig. 13-27 shows, the 200Hz LPF formed by C31 and R30 connected to terminal No. 42 of CXA1082AS and a built in LPF (at terminal No. 23, $f_c = 200\text{Hz}$ at $510\Omega k$) make up a two-stage LPF that eliminates spurious carrier frequencies from the CLV servo error signals, MDP and MOS.

When CLV-S or S' mode is applied, FSW = L and f_c of the LPF at terminal No. 42 is automatically lowered and filter action is enhanced.

The amplified and filtered signal V_{SPDLO} undergoes reverse polarization and amplification at IC6 and, as spindle motor control signal V_{CONT} , is input to the brushless motor PXM1005 to control rotation.

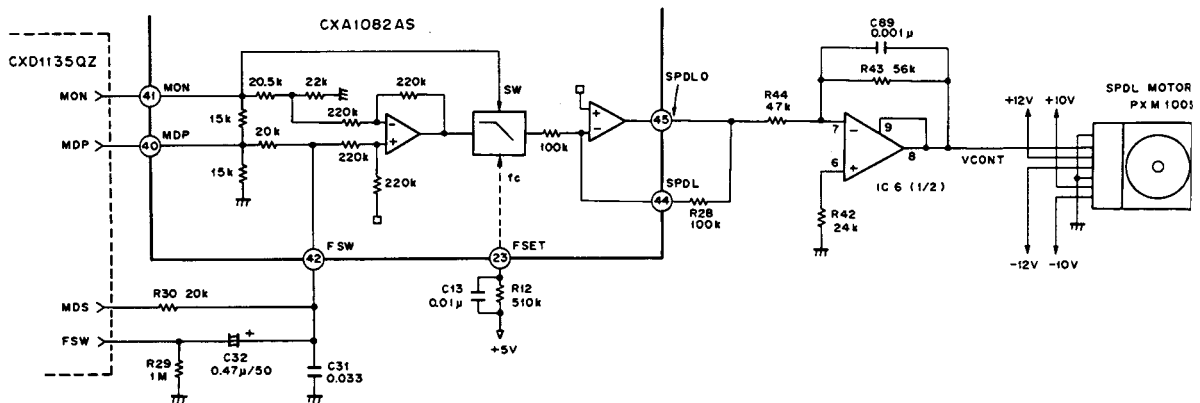


Fig. 13-27

13.2.5 EFM-PLL Circuit

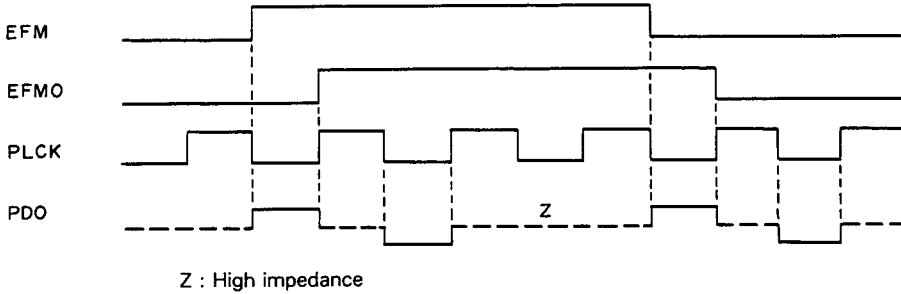
Because the EFM signal output by the optical section contains 2.16MHz clock signal components, a bit clock (PLCK) originating in the the EFM-PLL circuit which is synchronized with the clock signal at 4.32MHz takes out these components.

The PDO terminal in CXD1135QZ outputs a TRI STATE signal that performs phase comparison on the PLCK (which is twice VCO) and the EFM signal. PLCK

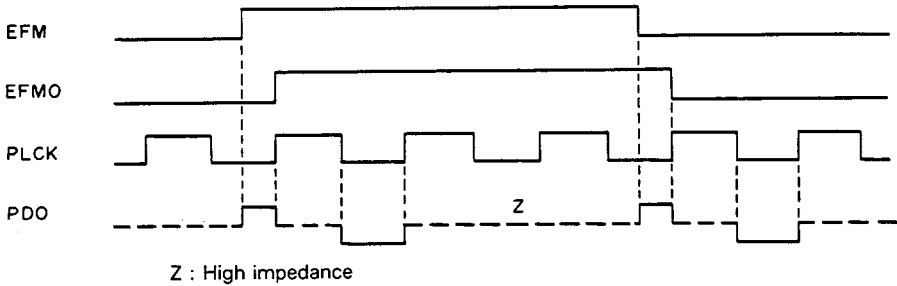
should be in phase with the edge of the EFM signal as shown in the figure below. If the two signals are in phase the average voltage of terminal PDO will be 1/2 Vdd. If VCO frequency is too high the PDO voltage is lower and vice versa.

Timing charts for the EFM terminal, EFMO, PLCK and PDO shown below.

EFM signal and VCO are synchronized



VCO is higher than the EFM signal



VCO is lower than the EFM signal

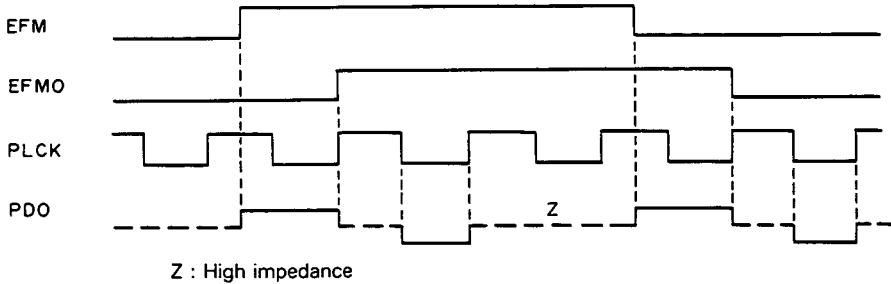


Fig. 13-28 EFM-PLL Circuit Timing Charts

Next, as Fig. 13-29 shows, the phase comparison output, PDO, is input to terminal No. 34 of CXA1082AS, passes through a loop filter which eliminates spurious carrier frequencies coming from PWM, undergoes V-I conversion and is added to the current for the free-run frequency from terminal No. 36 to ultimately control the VCO frequency. The free-run frequency of the VCO is nearly inversely proportional to the value of R31 between terminals No. 36 and 37.

The signal generated by the VCO (8.64 MHz when locked) is returned to terminal No. 9 of CXD1135QZ where it is divided to become the phase comparison signal PLCK to form a servo loop that acts to keep the PLCK phase and the phase of the EFM signal clock components locked in synchronization.

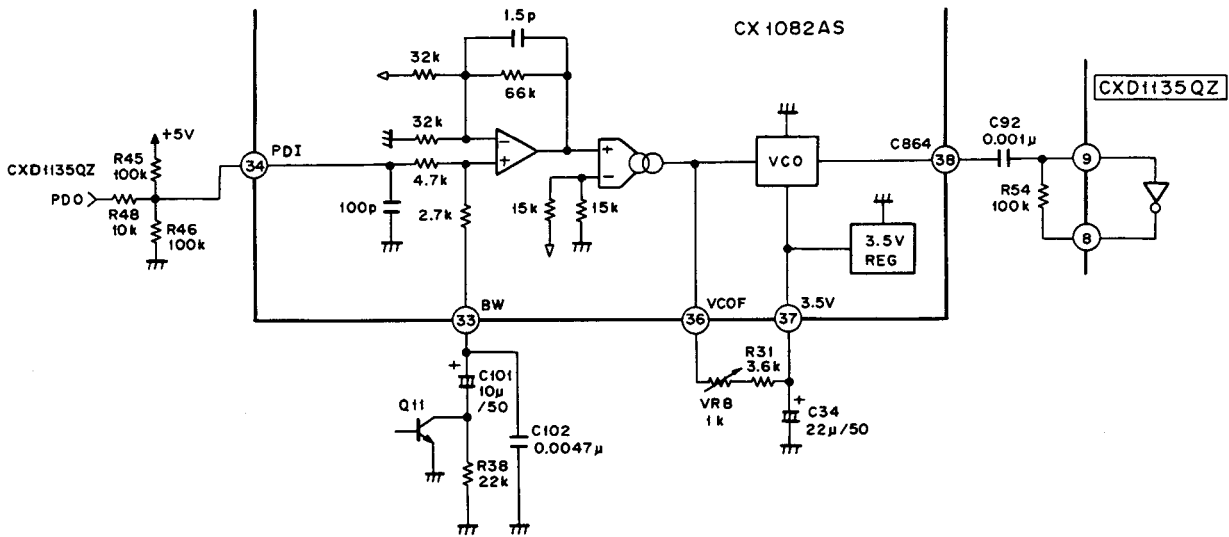


Fig. 13-29

13.3 DEMODULATOR

The demodulator is made up principally of the single chip LSI CXD1135QZ with some added external circuits. It performs the following functions:

1. Reproduces the bit clock from the EFM-PLL circuit
2. Demodulates EFM data
3. Detection, protection and interpolation of frame synch signal
4. Error detection and correction
5. Interpolation average value and holds occurring just before defective spots
6. Sub-code signal demodulation and sub-code Q error detection
7. Spindle motor CLV servo
8. 8 bit tracking counter
9. CPU interphase by serial bus
10. Sub-code Q register
11. Digital audio interface output

EFM data is converted into a TTL level signal in CXA1081S and then used to perform various functions. The tracking counter uses an RF generated pulse for counting.

13.4 DIGITAL AUDIO INTERFACE

The PD-91 CD player has an optical and coaxial dual system digital interface output. The digital audio interface output from IC12 is shaped into a wave form at IC19 and is converted to format output 0.5Vp-p at inverter driver IC16 and pulse transformer L1201. Since a TTL driver can be used for optical output, after polarity is brought into agreement, optical output is sent to optical driver JA1201.

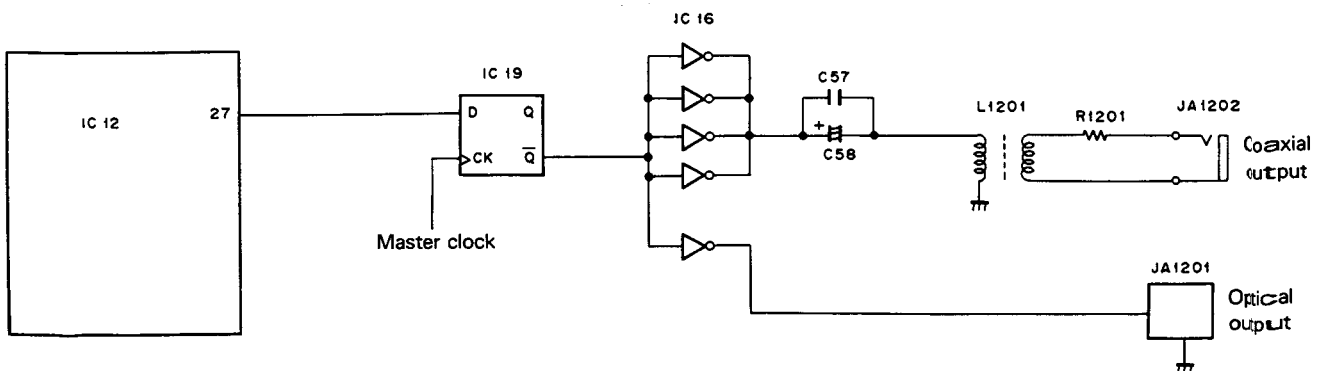


Fig. 13-30

13.5 DIGITAL ATTENUATOR

Of the digital data demodulated and de-interleaved in the decoder, the audio data is sent to the digital attenuator. Attenuator volume is set in the attenuator by control data sent from the system microprocessor. Attenuator volume and the digital data are multiplied and the digital data with an optimal level of attenuator volume are output.

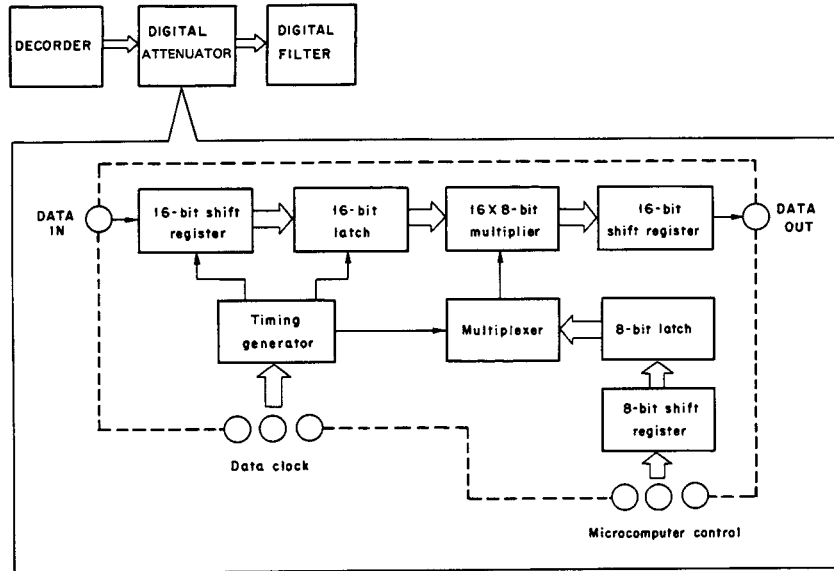


Fig. 13-31

13.6 DIGITAL FILTER

The digital filter used in the PD-91 has 8 times oversampling and 18-bit output. Arithmetic is performed by a three-stage cascade consisting of FIR225 + 41 + 21 sequence with 8 times oversampling.

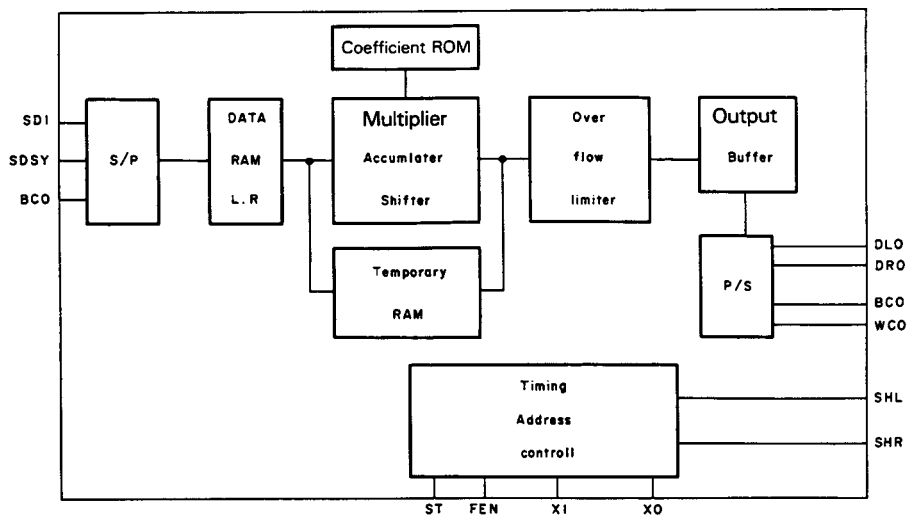


Fig. 13-32

13.7 SERIAL PARALLEL CONVERTER

Because the digital filter's output is the 18 bit serial data, it must be converted to parallel data before being transmitted to the D/A converter.

13.8 AUDIO SECTION

3.8.1 D/A Converter and Related Parts

The 18 bit parallel data which has passed through the serial data converter is converted to an analog signal by the D/A converters IC500, IC600. The D/A converters are of the ladder resistor type, and convert the current output. This current undergoes voltage conversion at the next stage IC 602 (1/2). Output has a peak of 10V. Q601, 602 are power boosters. Glitch noise is eliminated from the voltage converted waveform at the next stage circuit S/H.

Deglitch control derives its timing from IC700 and sampling and hold operations are performed by turning Q603, 605 ON and OFF. During sampling, Q605 is ON and Q603 is OFF. During hold, the reverse is true. When Q605 is ON output from the preceding stage is being charged by C621 and when Q605 is OFF, hold is being performed. At this stage gain is controlled at R604 and 607 and is -9.9dB. Sample holding is as shown in the diagram below. Q606 and 607 are power boosters.

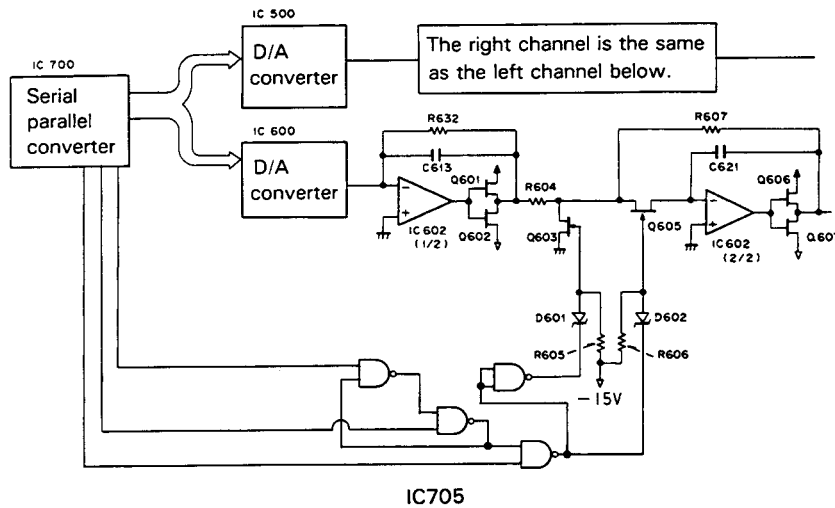


Fig. 13-33

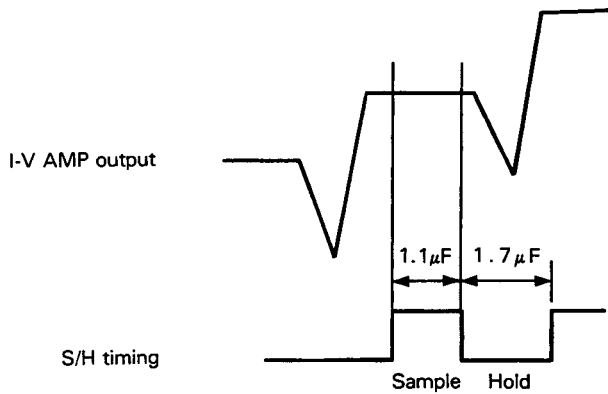


Fig. 13-34

13.8.2 Deemphasis, LPF

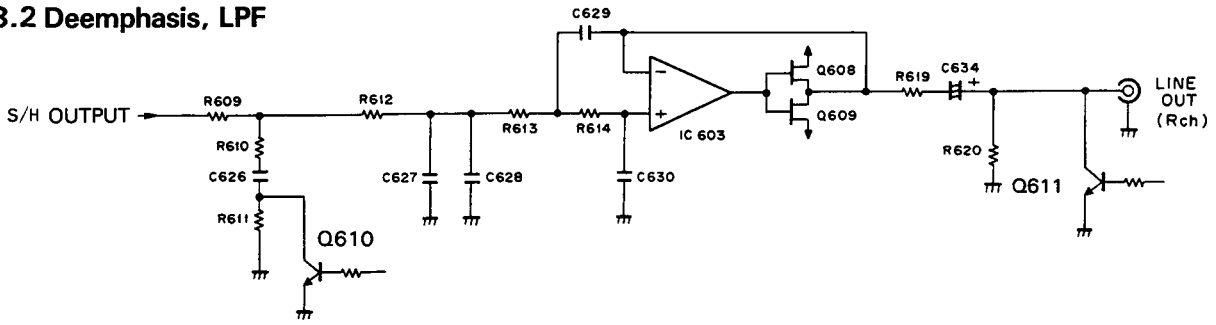


Fig. 13-35

S/H output passes through a deemphasis circuit and then through a 3-stage active LPF. When deemphasis is ON, Q610 is ON and a -6dB/oct attenuation characteristic with time constants of $50\mu\text{s}$, $15\mu\text{s}$ is generated at R609,

610, C626. Deemphasis control is governed by the IC3 system controller using sub-code Q.

The 3-stage active LPF is a Butterworth LPF with $f_c = 40\text{kHz}$.

13.8.3 Output Selector

Output ON/OFF is controlled in the PD-91 by a rotary type switch with three modes:

1. DIGITAL ON
2. BOTH ON
3. ANALOG ON

This control is performed at S1101.

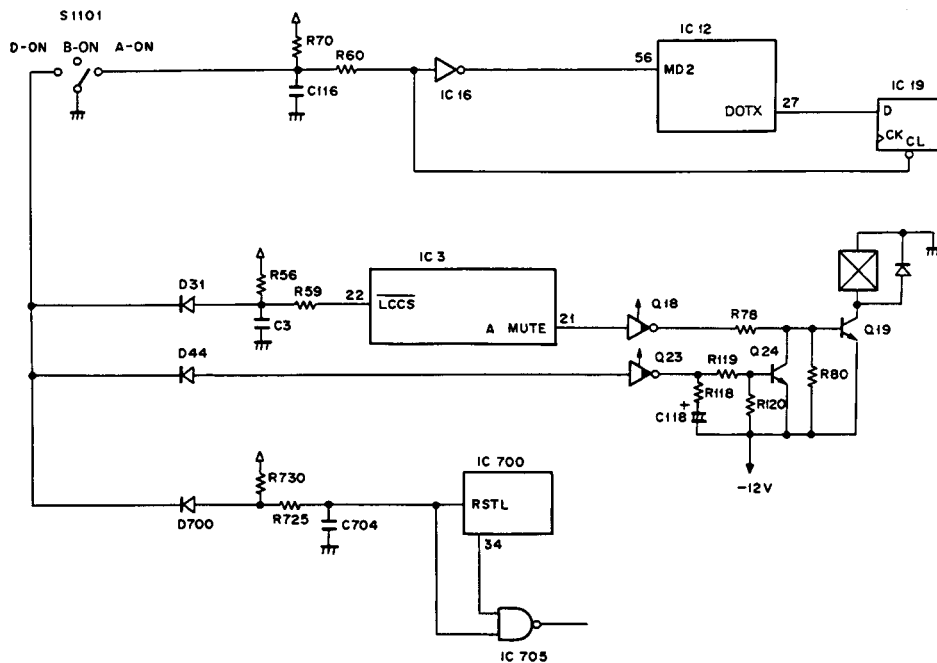
When S1101 is set at ANALOG ON, the output of IC16 becomes H.

The output of Pin 27 DOTX is controlled by the logic of Pin 56 MD2 in IC12 and when Pin 56 is switched to "H", DIGITAL OUT output is cancelled. At this time Pin 27 outputs WFCK. This condition continues until the next

stage IC19 D-FF gives an "L" signal to CLEAR. When S1101 is set to DIGITAL ON, the ANALOG signal for the following operations is cancelled:

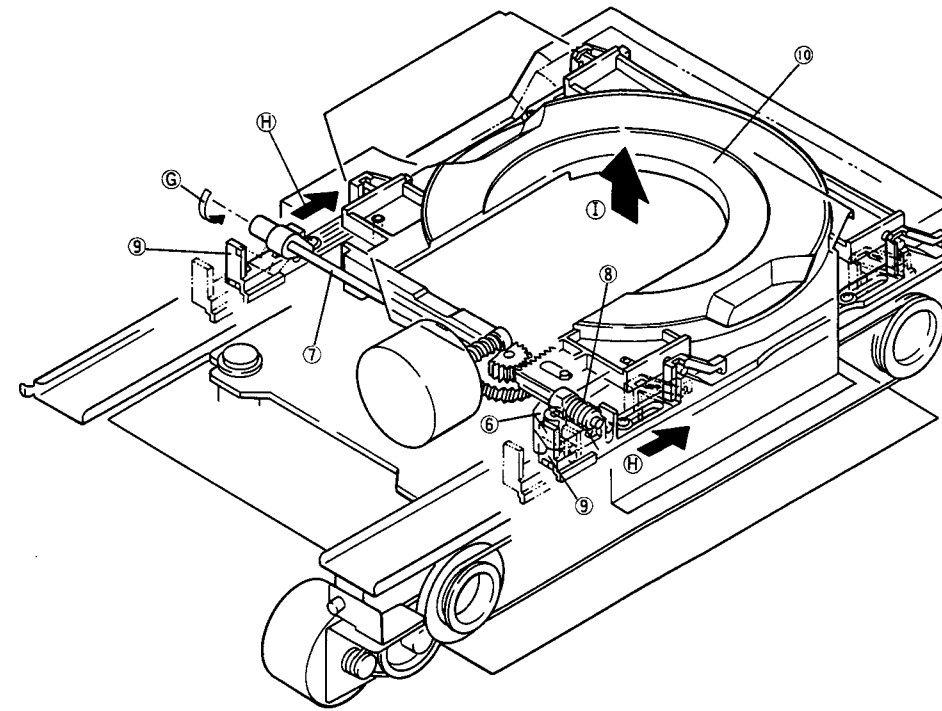
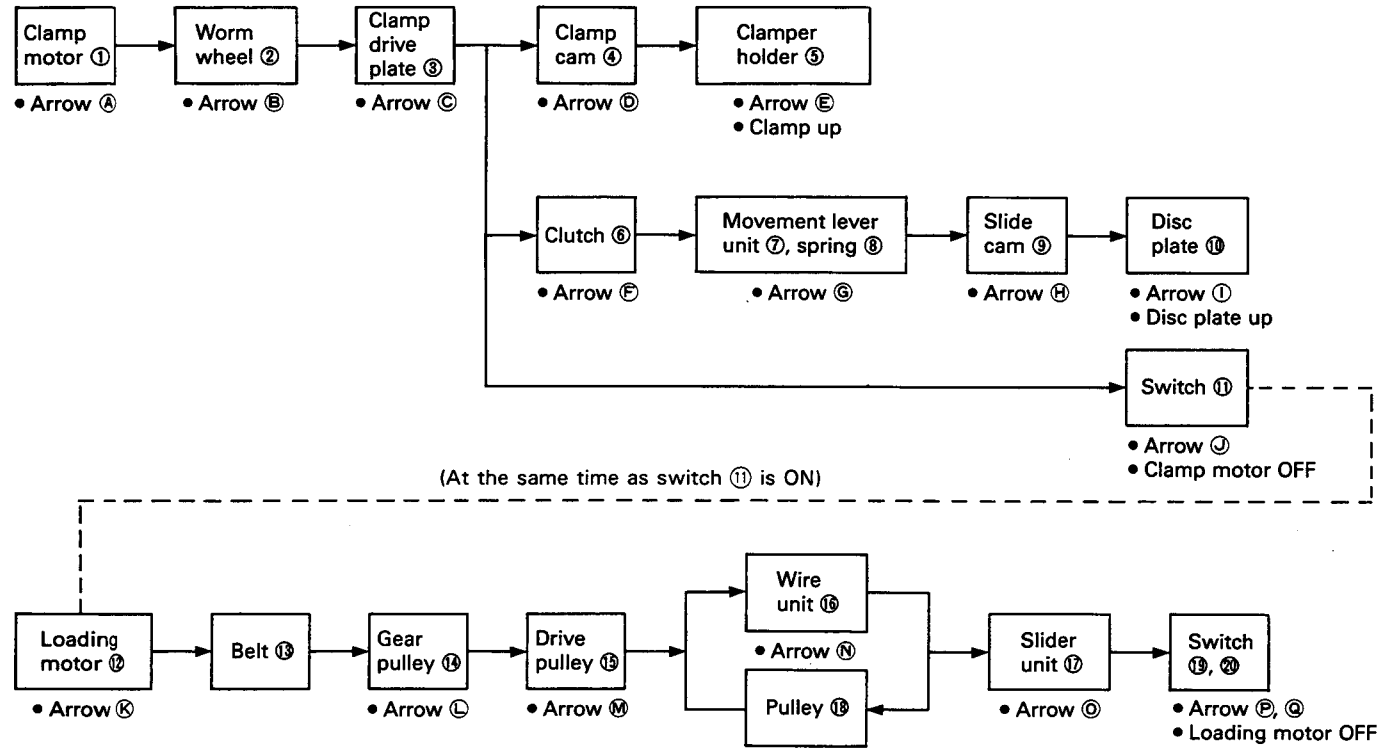
- 1) RSTL on the IC700 serial-parallel converter goes to "L" level and serial-parallel operations cease,
- 2) IC705 NAND input goes to "L" and deglitching ceases,
- 3) MUTING relay driver is stopped and MUTING is ON.

When S1101 is set to BOTH ON, none of the above occurs and DIGITAL and ANALOG sections output signals normally.

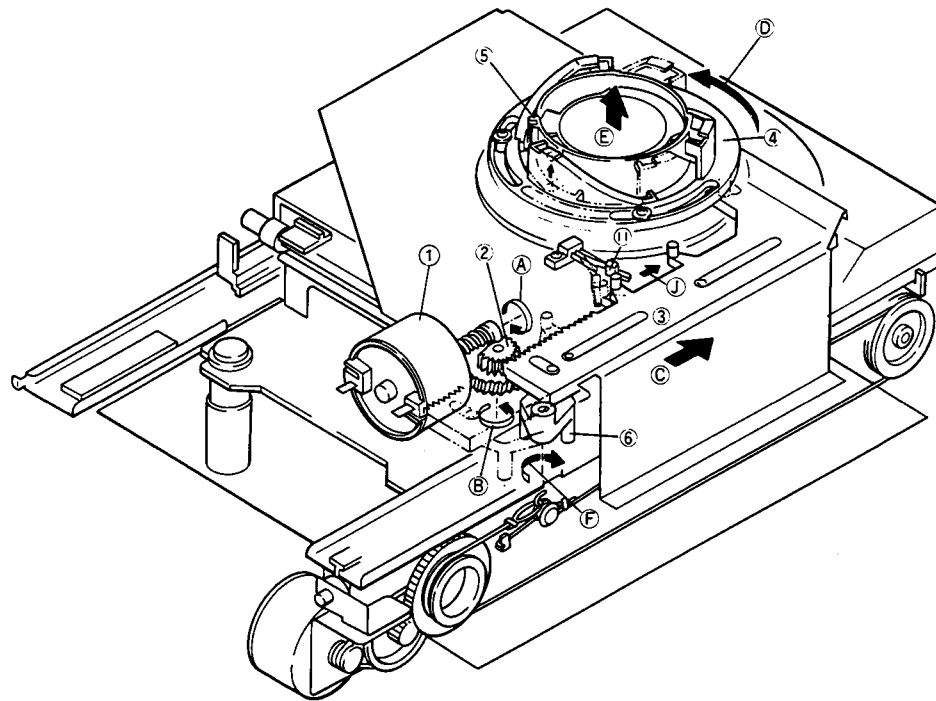


14. MECHANISM DESCRIPTION

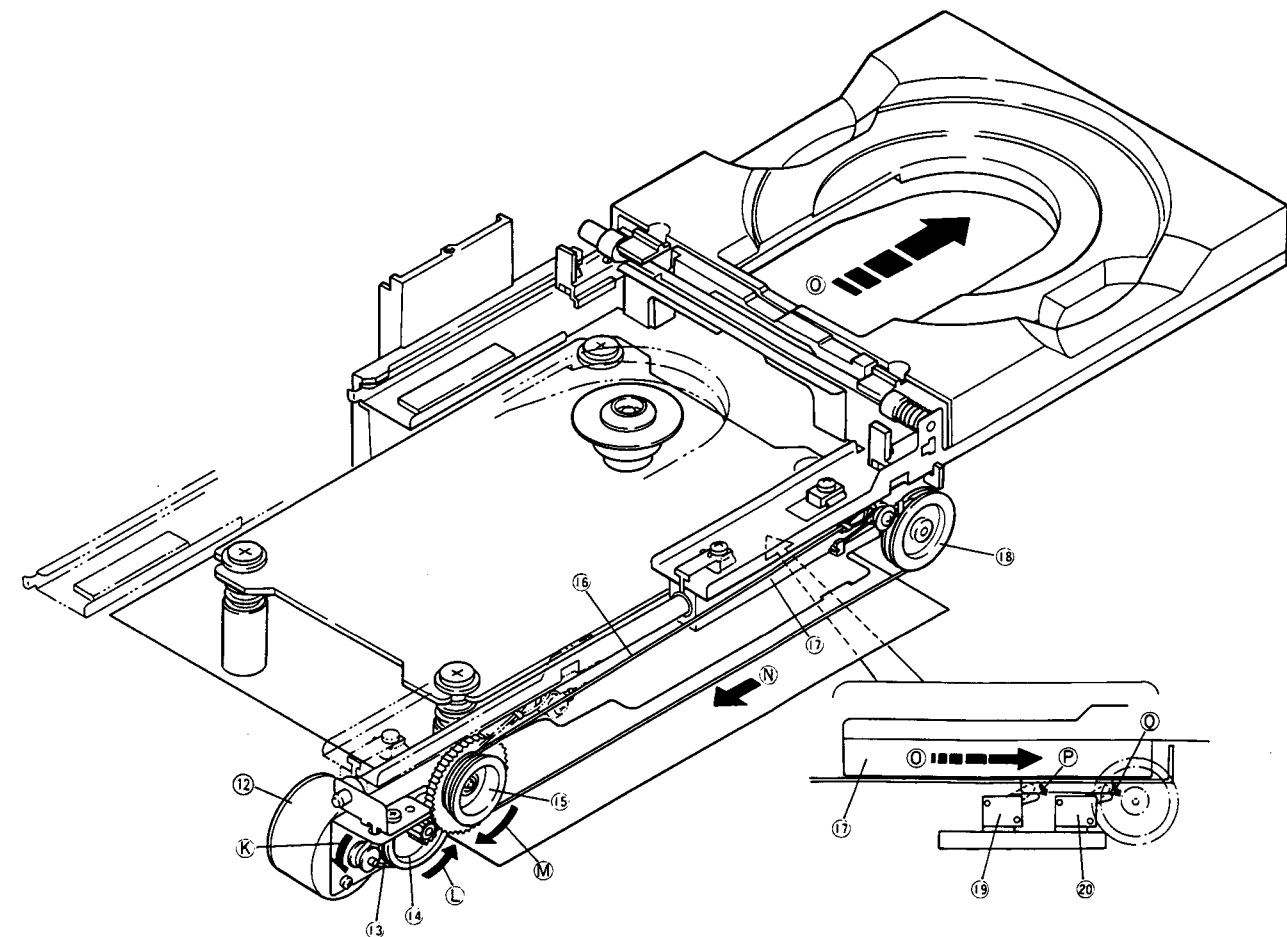
• OPEN Operation



(2) Disc plate UP operation

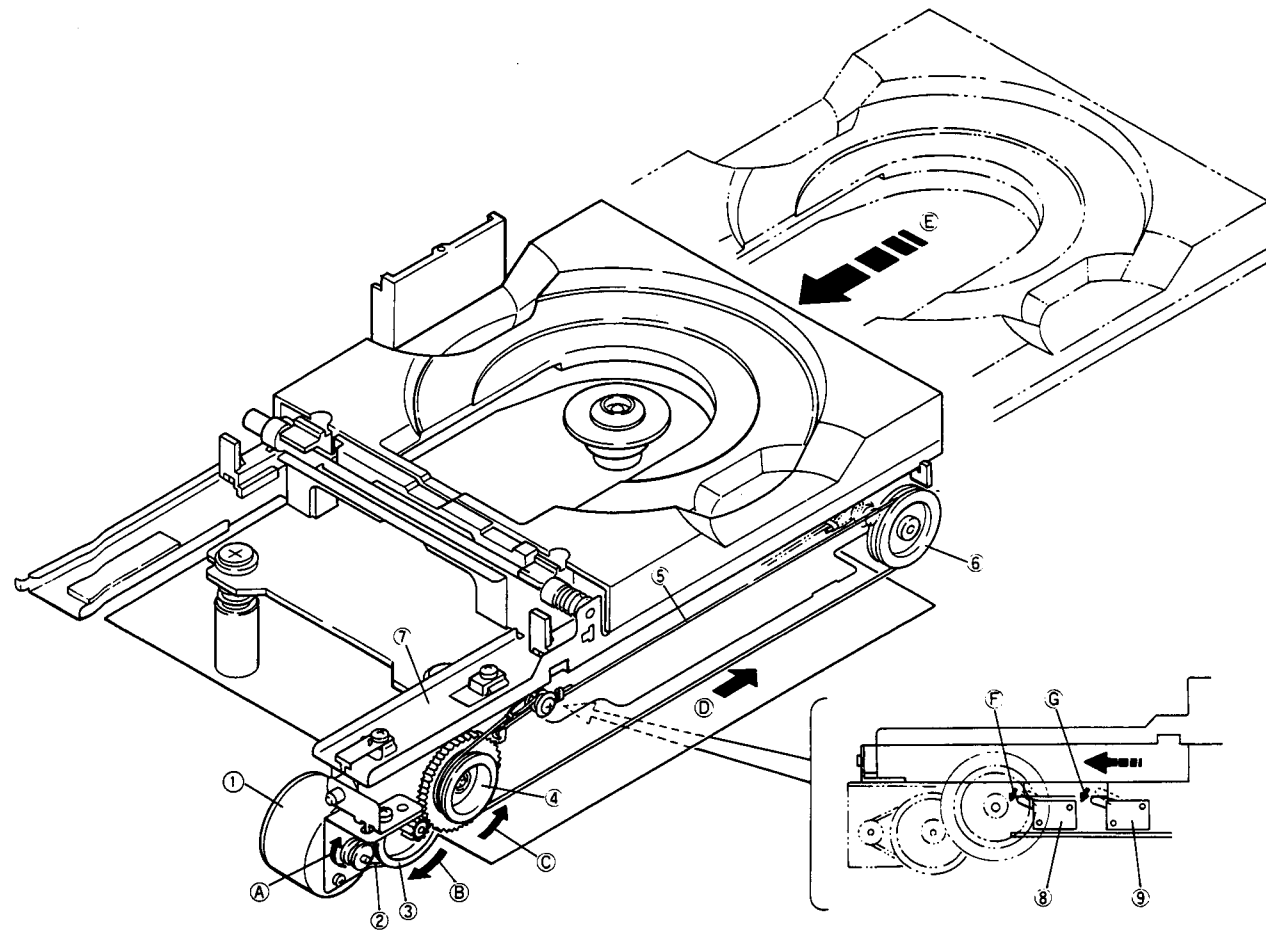
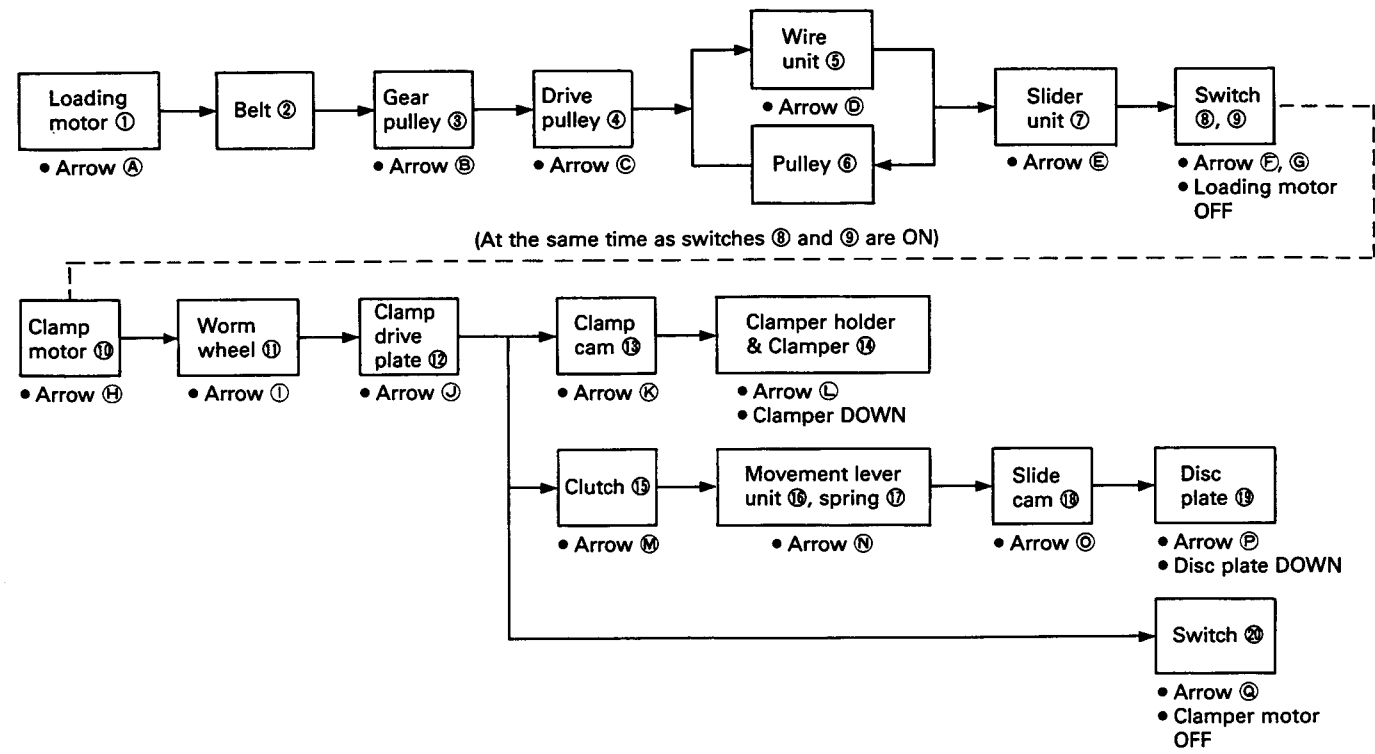


(1) Clamper UP operation

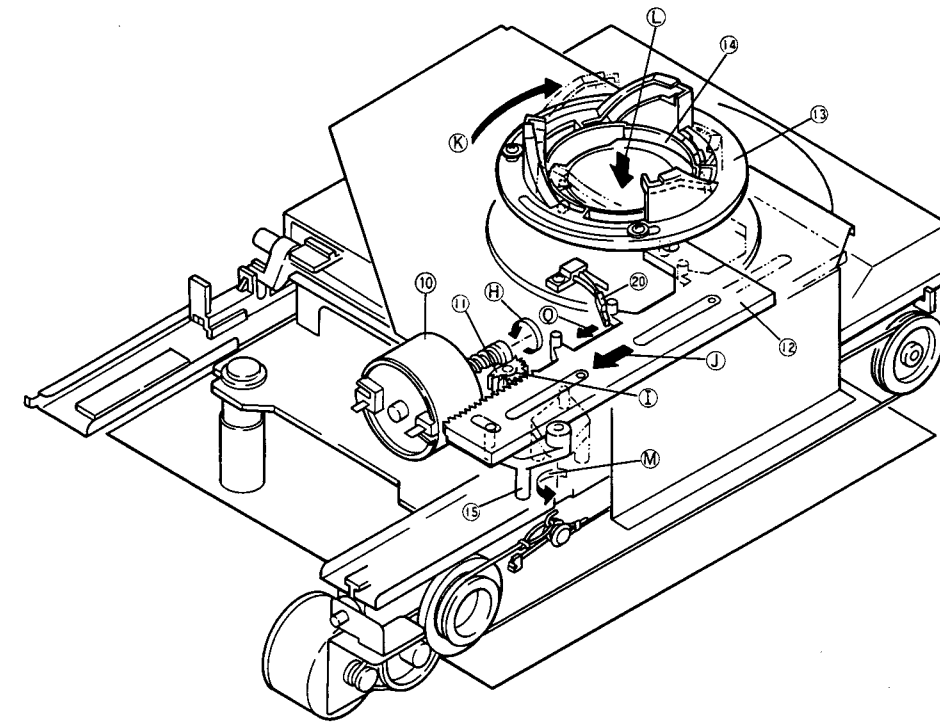


(3) Loading tray OPEN operation

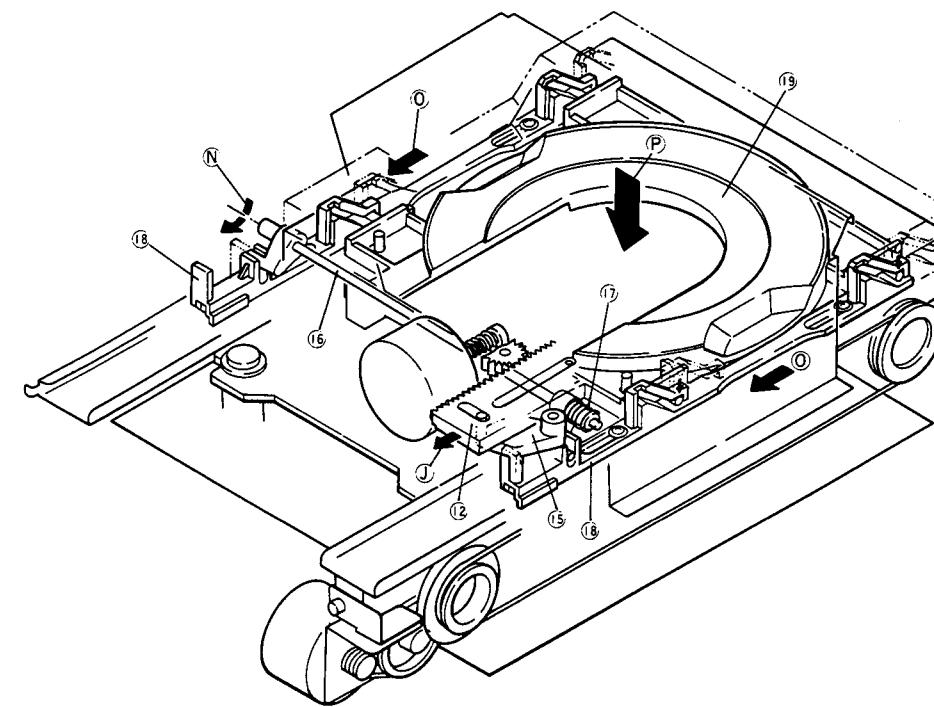
● CLOSE Operation



(1) Loading tray CLOSE operation



(2) Clamper DOWN operation

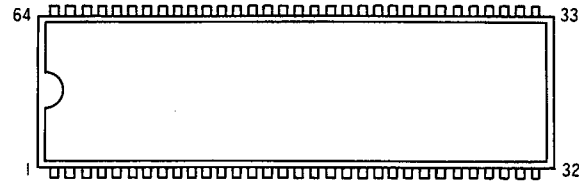


(3) Disc plate DOWN operation

15. IC INFORMATION

PDG010

● Layout of the Terminals on the IC



● Terminal Names and Functions

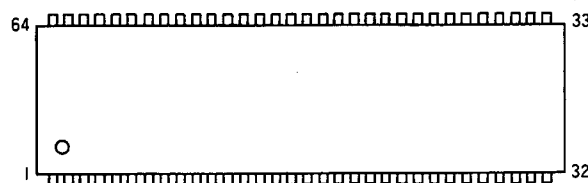
Terminal No.	I/O	Terminal Code	Terminal Name	When reset	After initializing	Explanation
1	O	PY ₀	STS	H	L	Serial transmission Accept Ignore
2	I	PY ₁	CHIPS	—	—	Serial signal Permit Prohibit
3	I	RMC	RMC	—	—	Remote control signal Reception terminal
4	I	SC	CLK	—	—	Serial external clock
5	I	PX ₁	DCSL	—	—	Remote control decode Static port select
6	I	PX ₂	DFSL	—	—	Data format select
7	I	SI	SD	—	—	Serial data
8	O	PD ₀	KD ₀	—	L	Key data 0
9	O	PD ₁	KD ₁	—	L	Key data 1
10	O	PD ₂	KD ₂	—	L	Key data 2
11	O	PD ₃	KD ₃	—	L	Key data 3
12	O	PC ₃	KD ₄	—	L	Key data 4
13	O	PC ₁	KD ₅	—	L	Key data 5
14	O	PC ₂	KS	—	H	Key strobe Key in No
15	O	PC ₃	RKS	—	H	Remote control key strobe Remote control in No
16	O	PF ₀	KDIG 0	—		Key digit 0
17	O	PF ₁	KDIG 1	—		Key digit 1
18	O	PF ₂	KDIG 2	—		Key digit 2
19	O	PF ₃	KDIG 3	—		Key digit 3
20	O	PE ₀	KDIG 4	—		Key digit 4
21	O	PE ₁	KDIG 5	—		Key digit 5
22	O	PE ₂	KDIG 6	—		Key digit 6
23	O	PE ₃	KDIG 7	—		Key digit 7
24	I	PB ₀	KIN 0	—	—	Key in 0
25	I	PB ₁	KIN 1	—	—	Key in 1
26	I	PB ₂	KIN 2	—	—	Key in 2
27	I	PB ₃	KIN 3	—	—	Key in 3
28	I/O	PA ₀	KIN4/PA0	—	—/H	Key in 4/Static output PA0
29	I/O	PA ₁	KIN5/PA1	—	—/H	Key in 5/Static output PA1
30	I/O	PA ₂	KIN6/PA2	—	—/H	Key in 6/Static output PA2

Terminal No.	I/O	Terminal Code	Terminal Name	When reset	After initializing	Explanation
31	O	PA ₃	PA3	—	H	Static output PA3
32	—	V _{SS}	GND	—	—	GND
33	O	S ₀	a	-26V	-26V	Segment a
34	O	S ₁	b	-26V	-26V	Segment b
35	O	S ₂	c	-26V	-26V	Segment c
36	O	S ₃	d	-26V	-26V	Segment d
37	O	S ₄	e	-26V	-26V	Segment e
38	O	S ₅	f	-26V	-26V	Segment f
39	O	S ₆	g	-26V	-26V	Segment g
40	O	S ₇	h	-26V	-26V	Segment h
41	O	S ₈	i	-26V	-26V	Segment i
42	O	S ₉	j	-26V	-26V	Segment j
43	O	S ₁₀	k	-26V	-26V	Segment k
44	O	S ₁₁	l	-26V	-26V	Segment l
45	O	S ₁₂	m	-26V	-26V	Segment m
46	O	S ₁₃	n	-26V	-26V	Segment n
47	O	S ₁₄ /T ₉	O/G10	-26V	-26V	Segment o/Grid 10
48	O	S ₁₅ /T ₈	P/G9	-26V	-26V	Segment p/ Grid 9
49	O	T ₇	G8	-26V	-26V	Grid 8
50	O	T ₆	G7	-26V	-26V	Grid 7
51	O	T ₅	G6	-26V	-26V	Grid 6
52	O	T ₄	G5	-26V	-26V	Grid 5
53	O	T ₃	G4	-26V	-26V	Grid 4
54	O	T ₂	G3	-26V	-26V	Grid 3
55	O	T ₁	G2	-26V	-26V	Grid 2
56	O	T ₀	G1	-26V	-26V	Grid 1
57	—	V _{FDP}	-26V			-26V FL power supply
58	I	Int2	Not in use	—	—	GND
59	I	Int1	Not in use	—	—	GND
60	O	Xtal	—	—	—	Clock output
61	I	Extal	—	—	—	Clock input
62	I	RES	SRES	—	—	Reset input Reset RUN
63	O	PY ₀	PY ₀	H	H	Static output PY₀
64	—	V _{DD}	+5V	—	—	+5V micro processor power supply 5V

H: Hi-LEVEL L: Lo-LEVEL —: Hi-Imp

PD3094

● Layout of the Chip Terminals



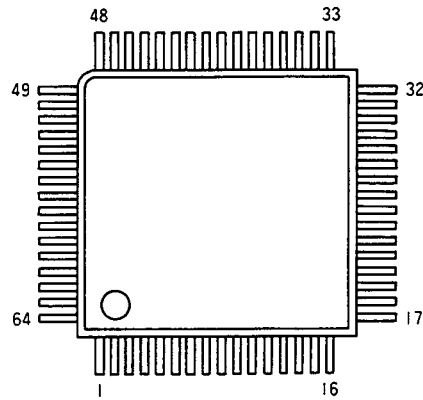
● Terminal Names and Functions

Terminal No.	Terminal Code	Terminal Name	I/O	Reset	Explanation
1	Vcc	—	—	—	GND
2	XTAL	—	—	—	(OPEN)
3	EXTAL	—	—	—	Internal clock circuit output
4	MPO	—	Input	—	+5V
5	MP1	—	Input	—	+5V
6	RES	—	Input	—	CPU reset input <input type="checkbox"/> Reset <input type="checkbox"/> RUN
7	STBY	—	Input	—	CPU standby input <input type="checkbox"/> Stand-by <input type="checkbox"/> RUN
8	NIMI	SCOR	Input	—	Sub code synch input <input type="checkbox"/> Synch
9	P20	LOK	Input	—	Focus OK <input type="checkbox"/> NG <input type="checkbox"/> OK
10	P21	XLT	Output	H	LSI control data deep pulse <input type="checkbox"/> Execute
11	SCLK	CLK	Output	H	Serial transmission clock
12	Rx	SUBQ	Input	—	Sub-code Q data input
13	Tx	DATA	Output	L	Serial data output <input type="checkbox"/> 0 <input type="checkbox"/> 1 <input type="checkbox"/> 2 <input type="checkbox"/> 3 <input type="checkbox"/> 4 <input type="checkbox"/> 5 <input type="checkbox"/> 6 <input type="checkbox"/> 7
14	P25	SENS	Input	—	LSI multi-mode input
15	P26	MUTE	Output	H	Muting output (digital section) <input type="checkbox"/> OFF <input type="checkbox"/> ON
16	P27	GFS	Input	—	Frame synch lock <input type="checkbox"/> NG <input type="checkbox"/> LOCK
17	P50	LDON	Output	H	Laser diode ON/OFF <input type="checkbox"/> ON <input type="checkbox"/> OFF
18	P51	DEMP	Output	H	Deemphasis ON/OFF <input type="checkbox"/> ON <input type="checkbox"/> OFF
19	P52	TEST	Input	—	Test mode switch input <input type="checkbox"/> TEST <input type="checkbox"/> NORMAL
20	P53	Not in use	Output	L	(OPEN)
21	P54	AMUTE	Output	H	Muting output (analog section) <input type="checkbox"/> OFF <input type="checkbox"/> ON
22	P55	LCCS	Input	—	Local circuit cancel input <input type="checkbox"/> CANCEL <input type="checkbox"/> NORMAL
23	P56	Not in use	Output	L	(OPEN)
24	P57	Not in use	Output	L	(OPEN)
25	P60	JTMS	Input	—	Jump delay time <input type="checkbox"/> SHORT <input type="checkbox"/> LONG
26	P61	Not in use	Output	L	(OPEN)
27	P62	Not in use	Output	L	(OPEN)
28	P63	LOAD	Input	—	Loading complete <input type="checkbox"/> LOAD-IN <input type="checkbox"/> NOT
29	P64	CLOP	Input	—	Clamp-up complete <input type="checkbox"/> CLAMP-UP <input type="checkbox"/> NOT
30	P65	OPEN	Input	—	Tray open complete <input type="checkbox"/> OPEN <input type="checkbox"/> NOT
31	P66	CLMP	Input	—	Clamp complete <input type="checkbox"/> CLAMP <input type="checkbox"/> NOT
32	P67	Not in use	Output	L	(OPEN)
33	Vcc	—	—	—	+5
34	P47	ALAT	Output	H	Attenuation level latch pulse output <input type="checkbox"/> Execute

Terminal No.	Terminal Code	Terminal Name	I/O	Reset	Explanation
35	P46	ADAT	Output	H	Attenuation level data <input type="checkbox"/> 0 <input type="checkbox"/> 1 <input type="checkbox"/> 2 <input type="checkbox"/> 3 <input type="checkbox"/> 4 <input type="checkbox"/> 5 <input type="checkbox"/> 6 <input type="checkbox"/> 7
36	P45	ACLK	Output	H	Attenuation level clock
37	P44	LIN	Output	L	Disc tray loading <input type="checkbox"/> Free <input type="checkbox"/> Brake <input type="checkbox"/> IN
38	P43	LOUT	Output	L	IN/OUT output <input type="checkbox"/> OUT
39	P42	CLUP	Output	L	Disc clamp <input type="checkbox"/> Free <input type="checkbox"/> Brake <input type="checkbox"/> UP
40	P41	CLDW	Output	L	UP/DOWN output <input type="checkbox"/> DOWN
41	P40	STS	Input	—	Display data transmission allow input <input type="checkbox"/> Permit <input type="checkbox"/> Prohibit
42	Vss	—	—	—	GND
43	P17	Not in use	Output	L	(OPEN)
44	P16	Not in use	Output	L	(OPEN)
45	P15	FLOF	Output	H	FL display OFF control <input type="checkbox"/> ON <input type="checkbox"/> OFF
46	P14	Not in use	Output	L	(OPEN)
47	P13	Not in use	Output	L	(OPEN)
48	P12	SCK	Output	H	Display data serial transmission clock
49	P11	SD	Output	H	Display data serial output <input type="checkbox"/> 0 <input type="checkbox"/> 1 <input type="checkbox"/> 2 <input type="checkbox"/> 3 <input type="checkbox"/> 4 <input type="checkbox"/> 5 <input type="checkbox"/> 6 <input type="checkbox"/> 7
50	P10	SRES	Output	L	Key display system microprocessor reset output <input type="checkbox"/> RESET <input type="checkbox"/> RUN
51	P37	RKS	Input	—	Remote control keep strobe input <input type="checkbox"/> ON <input type="checkbox"/> OFF
52	P36	KS	Input	—	Unit key strobe input <input type="checkbox"/> ON <input type="checkbox"/> OFF
53	P35	KD5	Input	—	Unit remote control key code input (MSB)
54	P34	KD4	Input	—	Unit remote control key code input
55	P33	KD3	Input	—	Unit remote control key code input
56	P32	KD2	Input	—	Unit remote control key code input
57	P31	KD1	Input	—	Unit remote control key code input
58	P30	KD0	Input	—	Unit remote control key code input (LSB)
59	P74	Not in use	Output	L	(OPEN)
60	P73	Not in use	Output	L	(OPEN)
62	P71	Not in use	Output	L	(OPEN)
63	P70	Not in use	Output	L	(OPEN)
64	E	—	Output	—	(OPEN)

PDE023

● Layout of the Chip Terminals



I : Input pin,
 O : Output pin,
 B : I/O pin,
 P : Power pin,
 NC : Not connected

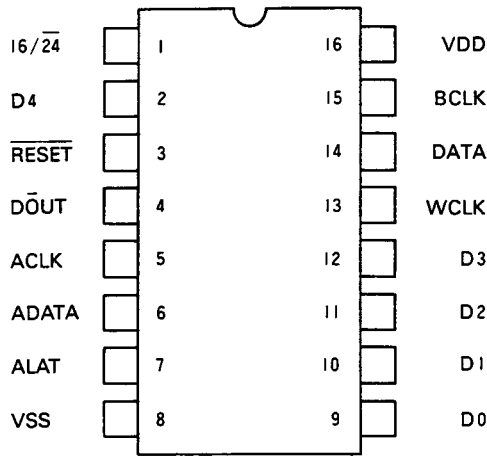
● Terminal Nos. and Codes

Terminal No.	Terminal Code	I/O
1	RSTL	I
2	LRCK	I
3	SDGR	I
4	YDGL	I
5	LDAT	I
6	RDAT	I
7	WCIN	I
8	BCKI	I
9	Vss	P
10	LD 00	O
11	LD 01	O
12	LD 02	O
13	LD 03	O
14	LD 04	O
15	LD 05	O
16	LD 06	O
17	Vss	P
18	LD 07	O
19	LD 08	O
20	LD 09	O
21	LD 10	O
22	LD 11	O
23	LD 12	O
24	NC	NC
25	Vss	P
26	LD 13	O
27	LD 14	O
28	LD 15	O
29	LD 16	O
30	LD 17	O
31	LD 18	O
32	Vss	P

Terminal No.	Terminal code	I/O
64	SYSL	I
63	Vss	P
62	RD 18	O
61	RD 17	O
60	RD 16	O
59	RD 15	O
58	RD 14	O
57	Vss	P
56	VDD	P
55	RD 13	O
54	RD 12	O
53	RD 11	O
52	RD 10	O
51	RD 09	O
50	RD 08	O
49	Vss	P
48	NC	NC
47	RD 07	O
46	RD 06	O
45	RD 05	O
44	VDD	P
43	RD 04	O
42	RD 03	O
41	RD 02	O
40	RD 01	O
39	RD 00	O
38	Vss	P
37	SDGS	O
36	SDGH	O
35	YDGS	O
34	YDGH	O
33	NC	NC

PD0026

● Layout of Terminals



● Terminal Functions

Terminal No.	Terminal Code	Terminal Name	I/O	Explanation
1	16/24	16/24	Input	DATA switch terminal
2	D4	ATTENUATION DATA 4	Output	Attenuation level (0 – –36dB) display terminal Open drain output*
3	RESET	RESET	Input	IC internal reset terminal (Attenuation level, 0dB)
4	DOUT	DATA OUT	Output	16-bit serial data output terminal for DAC (2 complements, MSB first)
5	ACLK	ATTENUATION CLOCK	Input	Attenuation level writing clock signal
6	ADATA	ATTENUATION DATA	Input	Attenuation level data input terminal (Binary, MSB first)
7	ALAT	ATTENUATION LATCH PULSE	Input	Attenuation level latch pulse input terminal
8	VSS			Ground terminal
9	D0	ATTENUATION DATA 0	Output	Attenuation level (0dB) display terminal Open drain output*
10	D1	ATTENUATION DATA 1	Output	Attenuation level (0 – –6dB) display terminal Open drain output*
11	D2	ATTENUATION DATA 2	Output	Attenuation level (0 – –12dB) display terminal Open drain output*
12	D3	ATTENUATION DATA 3	Output	Attenuation level (0 – –24dB) display terminal Open drain output*
13	WCLK	WORD CLOCK	Input	Word clock input terminal
14	DATA	DATA	Input	16-bit serial data input terminal for DAC (2 complements, MSB first)
15	BCLK	BIT CLOCK	Input	Bit clock input terminal
16	VDD			Power terminal

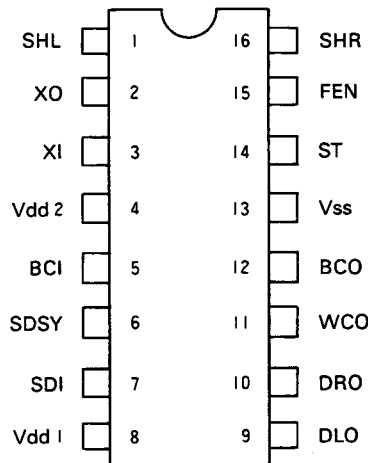
*** Attenuation Level Indicators**

Attenuation data	Amount of ATT	Indicator intervals				
		D 0	D 1	D 2	D 3	D 4
1 0 1 1 0 0 0 0 ((2))	0dB	*	↑	↑	↑	↑
1 0 1 0 0 0 0 0 (2)	- 6dB	--	*	↑	↑	↑
1 0 0 1 0 0 0 0 (2)	- 12dB	--	--	*	↑	↑
0 1 1 1 0 0 0 0 (2)	- 24dB	--	--	--	*	↑
0 1 0 1 0 0 0 0 (2)	- 36dB	--	--	--	--	*
0 0 0 0 0 0 0 0 (2)	- ∞	--	--	--	--	--

An asterisk ("*") signifies an "L" output status

YM3414

● Terminal Layout Diagram



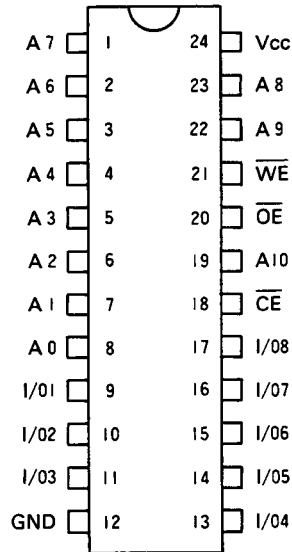
● Terminal Functions

Terminal Code	Terminal No.	I/O	Explanation
SHL	1	O	When 1DAC, ST="L": Lch deglitcher signal When 2DAC, ST="H": L/Rch deglitcher signals
XO XI	2 3	O I	There is a crystal oscillator between XI and XO. When FEN="L" at 392fs: 17.2872MHz. When FEN="H" at 384fs: 16.9344MHz (XI can directly receive external input)
Vdd 2	4		+ 5V power source terminal for crystal oscillator and deglitcher signal.
BCI	5	I	Bit clock input terminal for input data
SDSY	6	I	L/Rch differentiation of input data and clock indicating input timing
SDI	7	I	Data input terminal
Vdd 1	8		+ 5V power supply terminal for digital signal section
DLO	9	O	When 1DAC, ST="L": L, Rch data output terminal When 2DAC, ST="H": Lch data output terminal
DRO	10	O	Rch data output terminal
WCO	11	O	Word clock for output data DLO, DRO
BCO	12	O	Bit clock for output data. SPC-II, SPC-III system clock output terminal
Vss	13		GND terminal
ST	14	I	1DAC/2DAC switching terminal (1DAC="L", 2DAC="H")
FEN	15	I	System clock switching terminal (392fs="L", 384fs="H")
SHR	16	O	Rch deglitcher signal when switched to 1DAC

LC3517

● Terminal Layout

TOP VIEW



- A 0 ~ A10 Address input
- \overline{WE} Read/write control input
- \overline{OE} Output enable input
- \overline{CE} Chip enable input
- I/01 ~ I/08 Data I/O
- Vcc/GND Power supply terminal

● Table of Function

Mode	\overline{CE}	\overline{OE}	\overline{WE}	I/O	Power supply current
Read cycle	L	L	H	Data output	ICCA
Write cycle	L	X	L	Data input	ICCA
Output disable	L	H	X	High impedance	ICCA
Non-select	H	X	X	High impedance	ICCS

● Terminal Function

Terminal No.	Terminal code	Explanation of terminals
1 ⋮ 8	A7 ⋮ A0	Address input
9 ⋮ 11	I/01 ⋮ I/03	Data I/O
12	GND	GND
13 ⋮ 17	I/04 ⋮ I/08	Data I/O
18	\overline{CE}	Chip enable input
19	A10	Address input
20	\overline{OE}	Output enable input
21	\overline{WE}	Read/write control input
22	A9	Address uboyt
23	A8	
24	VCC	Power supply terminals

16. FOR HEM TYPE

CONTRAST OF MISCELLANEOUS PARTS

NOTES:

- Parts without part number cannot be supplied.
- The Δ mark found on some component parts indicates the importance of the safety factor of the part. Therefore, when replacing, be sure to use parts of identical designation.
- For your parts Stock Control, the fast moving items are indicated with the marks $\star\star$ and \star .
 $\star\star$ GENERALLY MOVES FASTER THAN \star
 This classification shall be adjusted by each distributor because it depends on model number, temperature, humidity, etc.
- Parts marked by "⊙" are not always kept in stock. Their delivery time may be longer than usual or they may be unavailable.

The PD-91/HEM type is the same as the PD-91/KU/CA type with the exception of the following sections.

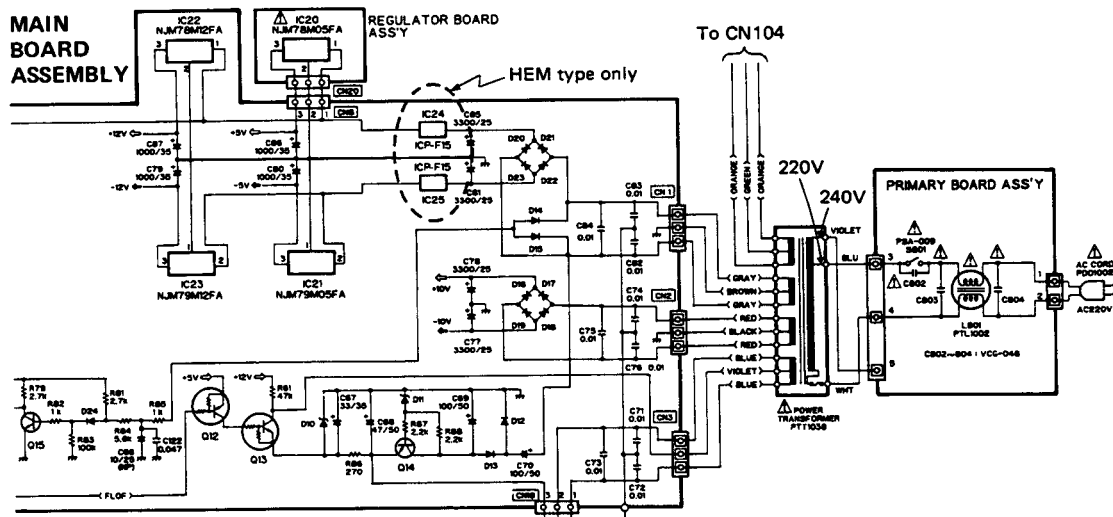
Mark	Symbol & Description	Parts No.		Remarks
		PD-91/KU/CA	PD-91/HEM	
Δ	Main board assembly	Non supply	Non supply	
Δ	Strain relief	CM-22C	CCM-22B	
Δ	FL filter	PAM1152	PAM1134	
Δ	AC Power cord	PDG1002	PDG1003	
Δ \star	Power transformer (AC220/240V)	...	PTT1038	
Δ \star	Power transformer (AC120V)	PTT1039	...	
	Operating instructions (English)	PRB1041	...	
	Operating instructions (English/German/French/Italian)	...	PRE1038	
	Operating instructions (Dutch/Swedish/Spanish/Portuguese)	...	PRF1006	

CONTRAST OF MAIN BOARD ASSEMBLY

The Main Board Assembly (for PD-91/HEM) is the same as the Main Board Assembly (for PD-91/KU/CA) with the exception of the following sections.

Mark	Symbol & Description	Parts No.		Remarks
		KU/CA type	HEM type	
Δ $\star\star$	IC24, IC25	...	ICP-F15	

• Schematic diagram



Line Voltage Selection for HEM Type

1. Disconnect the AC power cord.
2. Remove the bonnet case.
3. Change the connection of the power transformer primary lead wires as follows:
 220V: Connect the blue lead wire to the No. 3 terminal on the primary board assembly and connect the violet lead wire to the No. 5 terminal.
 240V: Connect the blue lead wire to the No. 5 terminal on the primary board assembly and connect the violet wire to the No. 3 terminal.
4. Stick the line voltage label on the rear panel.

Description	Part No.
220V label	AAX-193
240V label	AAX-192

● P.C.Board pattern

MAIN BOARD ASSEMBLY

