

<R42-347-0>

# **SERVICE MANUAL**

## **HEADPHONES**

**VOL.1**

<73C02F01K>

 **PIONEER®**

## CONTENTS

1. SE-20 .....	3
2. SE-20A .....	5
3. SE-25 .....	7
4. SE-30 .....	9
5. SE-30A .....	11
6. SE-45 .....	13
7. SE-50 .....	15
8. SE-100 .....	17
9. JB-100 .....	19
10. SE-L20 .....	21
11. SE-L20A .....	23
12. SE-L25 .....	25
13. SE-L40 .....	27
14. SE-305 .....	29
15. SE-505 .....	31

# 1. SE-20

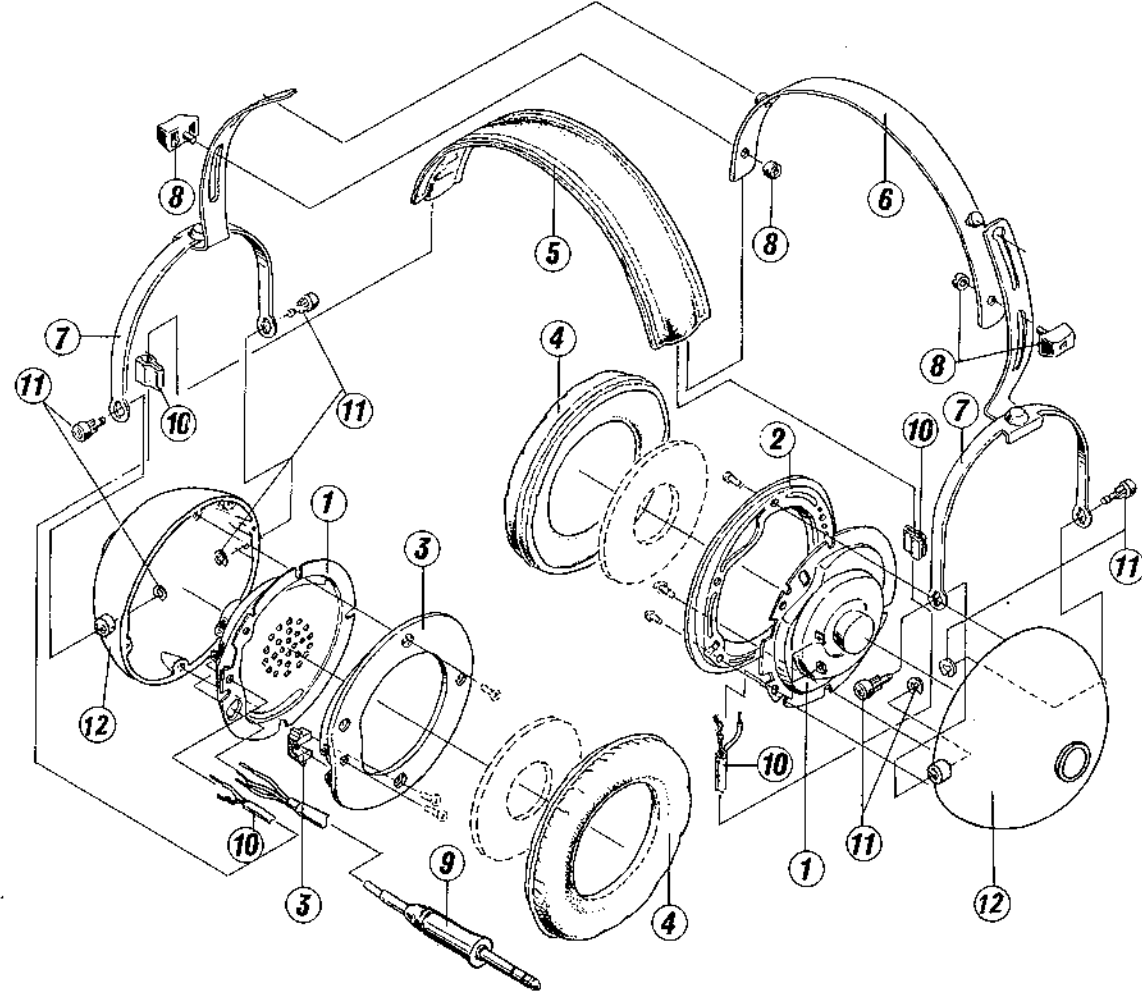
## SPECIFICATIONS

Matching Impedance . . . . . 4 to 16Ω  
 Earpiece Element Impedance . . . . . 8Ω per element  
 Maximum Allowable Input . . . . . 0.5W (each element)  
 Frequency Response . . . . . 20 to 20,000Hz  
 Cord . . . . . 8.2 ft, with 3-P plug  
 Weight . . . . . 13.3 oz. (without cord)

NOTE:  
 Specifications and the design subject to possible modification without notice due to improvements.

## PARTS LIST

Key No.	Description	Part No.
1	Speaker Assembly	SXC-010-0
2	Earpad Supporter (Right)	N93-617-0
3	Earpad Supporter (Left)	SXC-025-0
4	Ear pad	SCD-134-0
5	Head pad	SCD-133-0
6	Head Band (A)	N62-750-0
7	Head Band (B)	N62-751-0
8	Adjusting Knob (Right & Left)	SXC-020-0
9	Cord with 3-P Plug	SXC-011-0
10	Lead Wire	SXC-017-0
11	Band Shaft	SXC-006-0
12	Case Operating Guide	OCC-099A



2. SE-20A

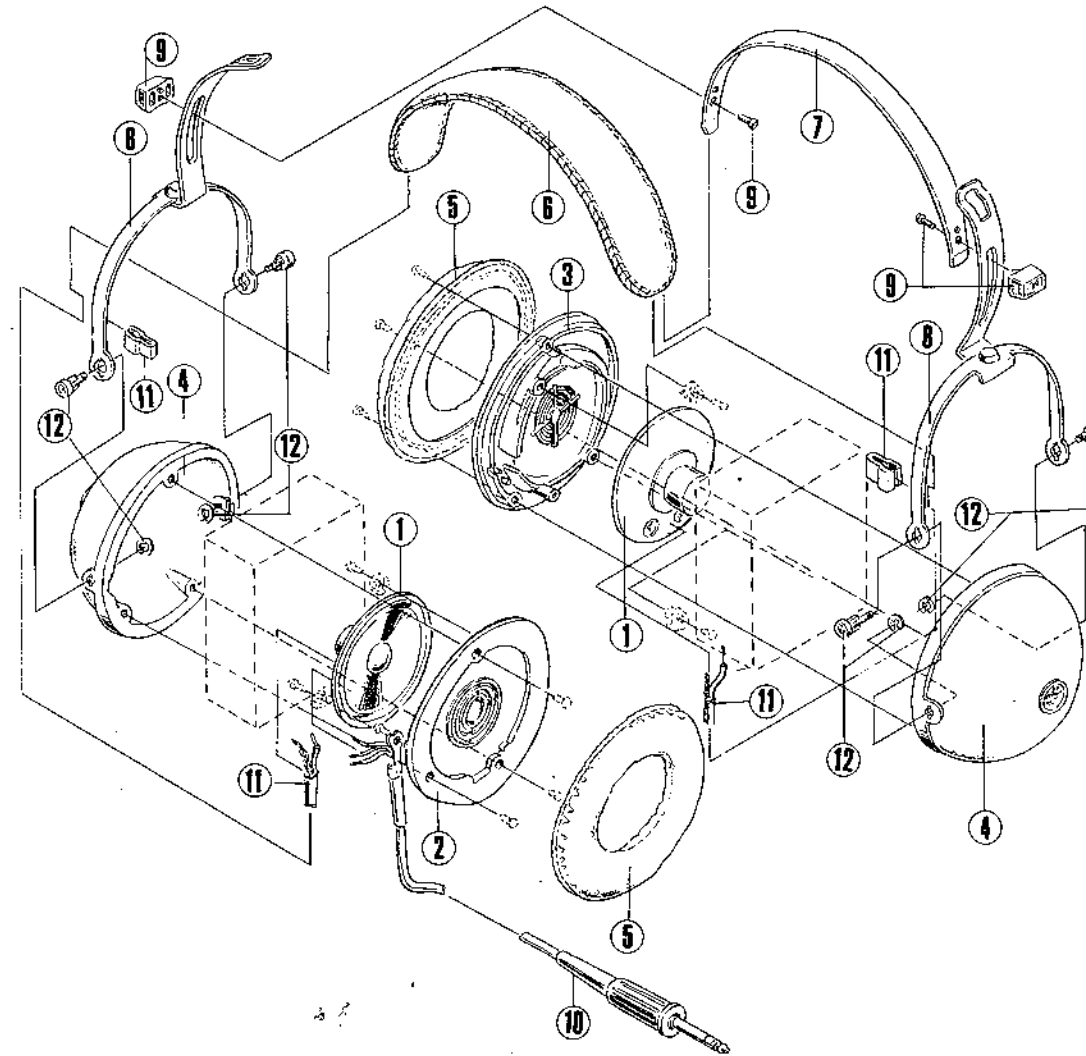
SPECIFICATIONS

Matching Impedance ..... 4 ~ 16Ω  
 Earpiece Element Impedance ..... 8Ω per element  
 Maximum Allowable Input ..... 0.5W (each element)  
 Frequency Response ..... 20 ~ 18,000Hz  
 Cord ..... 8.2 ft, with 3-P plug  
 Weight ..... 13.3 oz. (380g) without cord

NOTE:  
 Specifications and the design subject to possible modification without notice due to improvements.

PARTS LIST

Key No.	Description	Part No.
1	Speaker Assembly	SXC-007-0
2	Protection Board (Left)	SCD-184-0
3	Protection Board (Right)	SCD-183-0
4	Case	SXC-021-0
5	Ear pad	SCD-134-0
6	Head pad	SCD-202-0
7	Head Band (A)	N63-741-A
8	Head Band (B)	N63-742-0
9	Adjusting Knob (Right & Left)	SXC-003-0
10	Cord with 3-P Plug	SXC-013-0
11	Lead Wire	SXC-005-0
12	Band Shaft	SXC-006-0
	Packing Case (not for SE-20A/up)	H93-626-0
	Leather Case (SE-20A/up only)	SHF-001-0
	Outer Case (SE-20A/up only)	H93-628-A
	Operating Guide	R12-719-0



**3. SE-25**

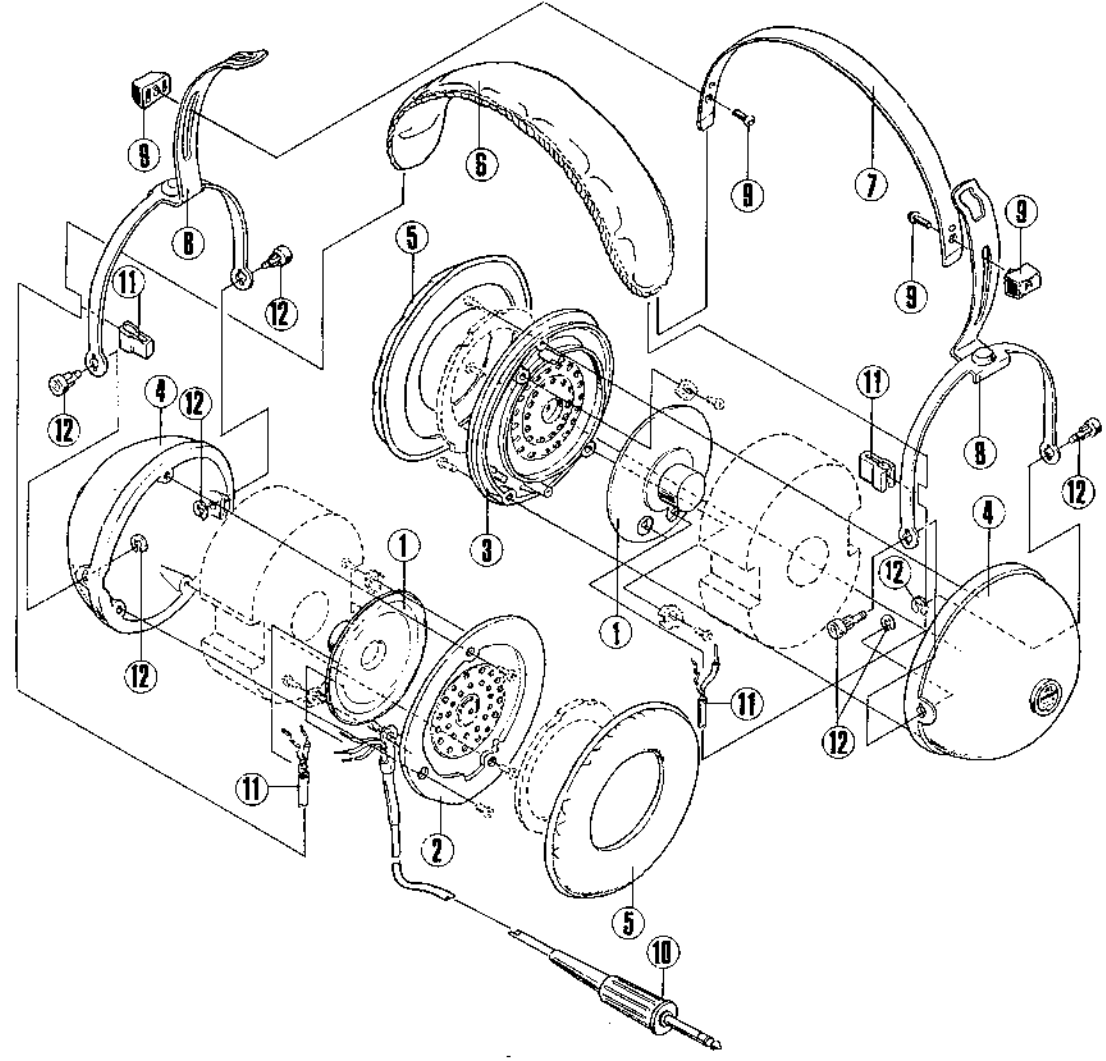
**SPECIFICATIONS**

Matching impedance ..... 4 to 16Ω  
 Frequency response ..... 20 to 20,000Hz  
 Sensitivity ..... 105dB/0.1V  
 Maximum input ..... 2V (each channel)  
 Speaker ..... 2-3/4" dynamic speaker with cone-type  
 Cord ..... Cord extensible up to 8.2 feet  
 (2.5m) with 3-P plug  
 Weight ..... 13.83oz. (395g), less cord

**NOTE:**  
 Specifications and the design subject to possible modification without notice  
 due to improvements.

**PARTS LIST**

Key No.	Description	Part No.
1	Speaker Assembly	SXC-007-0
2	Protection Board (Left)	SCD-329-0
3	Protection Board (Right)	SCD-331-0
4	Case	SXC-022-0
5	Ear pad	SCD-134-A
6	Head pad	SCD-202-A
7	Head Band (A)	N63-741-A
8	Head Band (B)	N63-742-A
9	Adjusting Knob (L.R)	SXC-026-0
10	Cord with 3-P Plug	SXC-014-0
11	Lead Wire	SXC-019-0
12	Band Shaft	SXC-006-0
	Packing Case	H93-633-0
	Operating Guide	SRB-012-0



4. SE-30

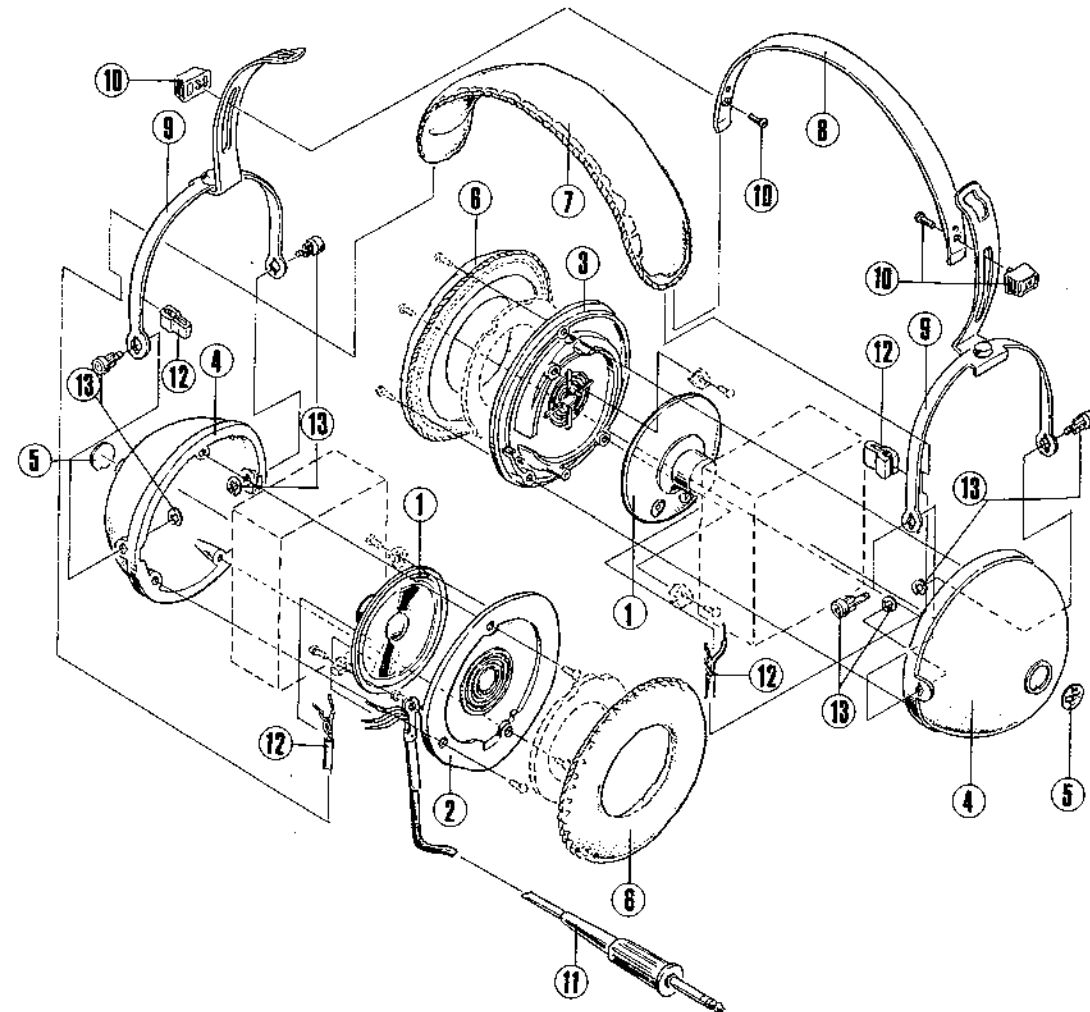
SPECIFICATIONS

Matching impedance ..... 4 to 16Ω  
 Earpiece Element Impedance ..... 8Ω per element  
 Maximum Allowable Input ..... 0.5W (each element)  
 Frequency Response ..... 20 to 20,000 Hz  
 Cord ..... 8.2ft, with 3-P plug  
 Weight ..... 13.3oz.(without cord)

NOTE:  
 Specifications and the design subject to possible modification without notice due to improvements.

PARTS LIST

Key No.	Description	Parts No.
1	Speaker Assembly	SXC-007-0
2	Protection Board (Left)	SCD-184-0
3	Protection Board (Right)	SCD-183-0
4	Case	SXC-002-0
5	Name Plate	A44-755-0
6	Ear pad	SCD-116-8
7	Head pad	SCD-117-0
8	Head Band (A)	N63-741-A
9	Head Band (B)	N63-742-A
10	Adjusting Knob (Left & Right)	SXC-003-0
11	Cord with 3-P Plug	SXC-012-0
12	Lead Wire	SXC-005-0
13	Band Shaft	SXC-006-0
	Packing Case	H93-605-0
	Operating Guide	R19-656-0



# 5. SE-30A

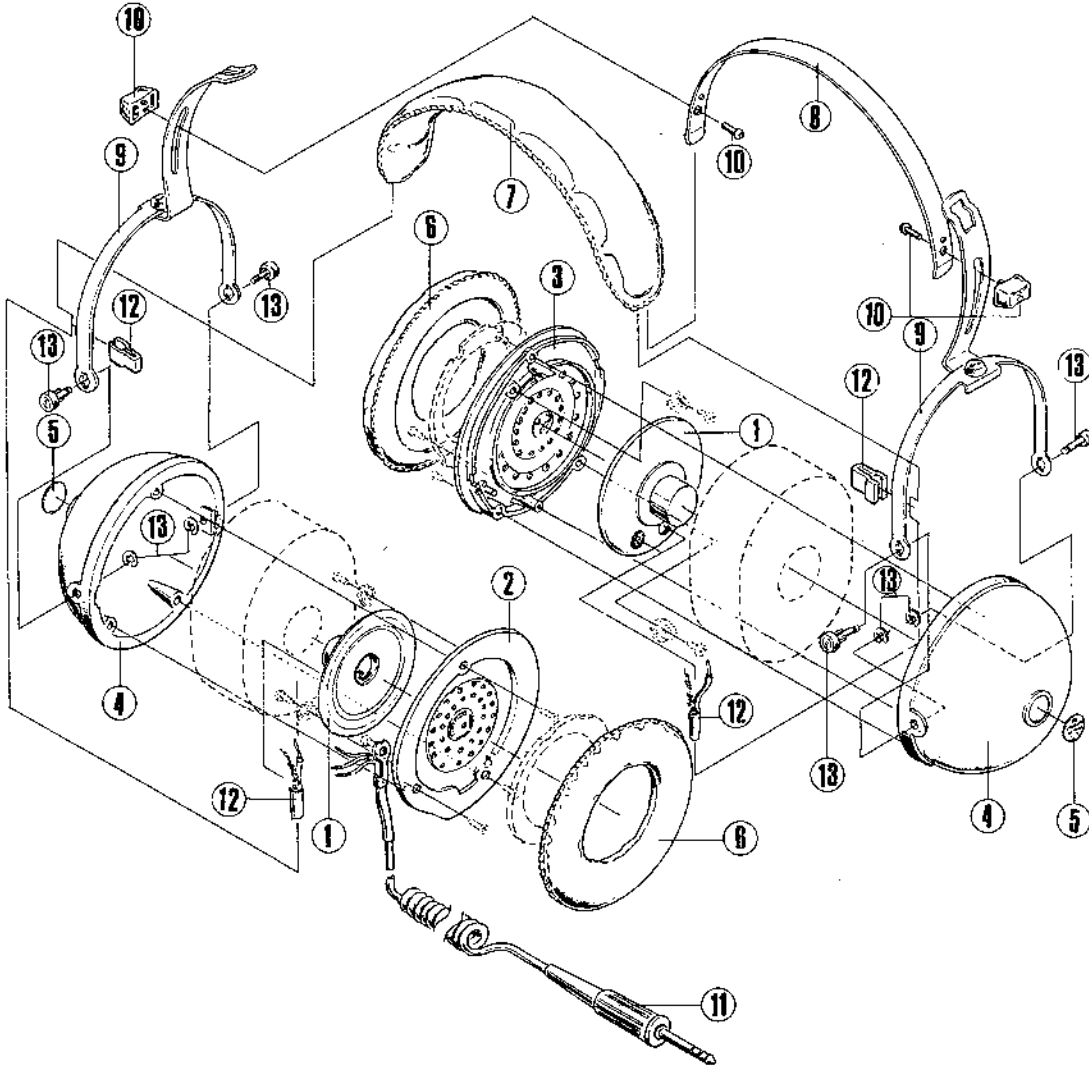
## SPECIFICATIONS

Matching impedance ..... 4 to 16Ω  
 Frequency response ..... 20 to 20,000Hz  
 Sensitivity ..... 115 dB/0.3V at 400Hz  
 (Measured with B&K's Artificial Ear Model 4153)  
 Input (maximum) ..... 2V (each channel)  
 Speaker ..... 2-3/4" dynamic speaker with a dome of polyester resin  
 Cord ..... Retractable coiled cord extensible up to  
 16.4 feet (5m), with 3-P plug  
 Weight ..... Approx. 14 oz (380 g), less cord

**NOTE:**  
 Specifications and the design subject to possible modification without notice due to improvements.

## PARTS LIST

Key No.	Description	Part No.
1	Speaker Assembly	SXC-001-0
2	Protection Board (Left)	SCD-329-A
3	Protection Board (Right)	SCD-331-A
4	Case	SXC-002-0
5	Name Plate	SAL-004-0
6	Ear pad	SCD-116-B
7	Head pad	SCD-117-B
8	Head Band (A)	N63-741-A
9	Head Band (B)	N63-742-A
10	Adjusting Knob (Left & Right)	SXC-003-0
11	Coiled Cord with 3-P Plug	SXC-004-0
12	Lead Wire	SXC-005-0
13	Band Shaft	SXC-006-0
	Packing Case (not for SE-30A/up)	SHG-004-0
	Leather Case (SE-30A/up only)	SHF-001-0
	Outer Case (SE-30A/up only)	SHG-005-0
	Operating Guide	R12-787-0



6. SE-45

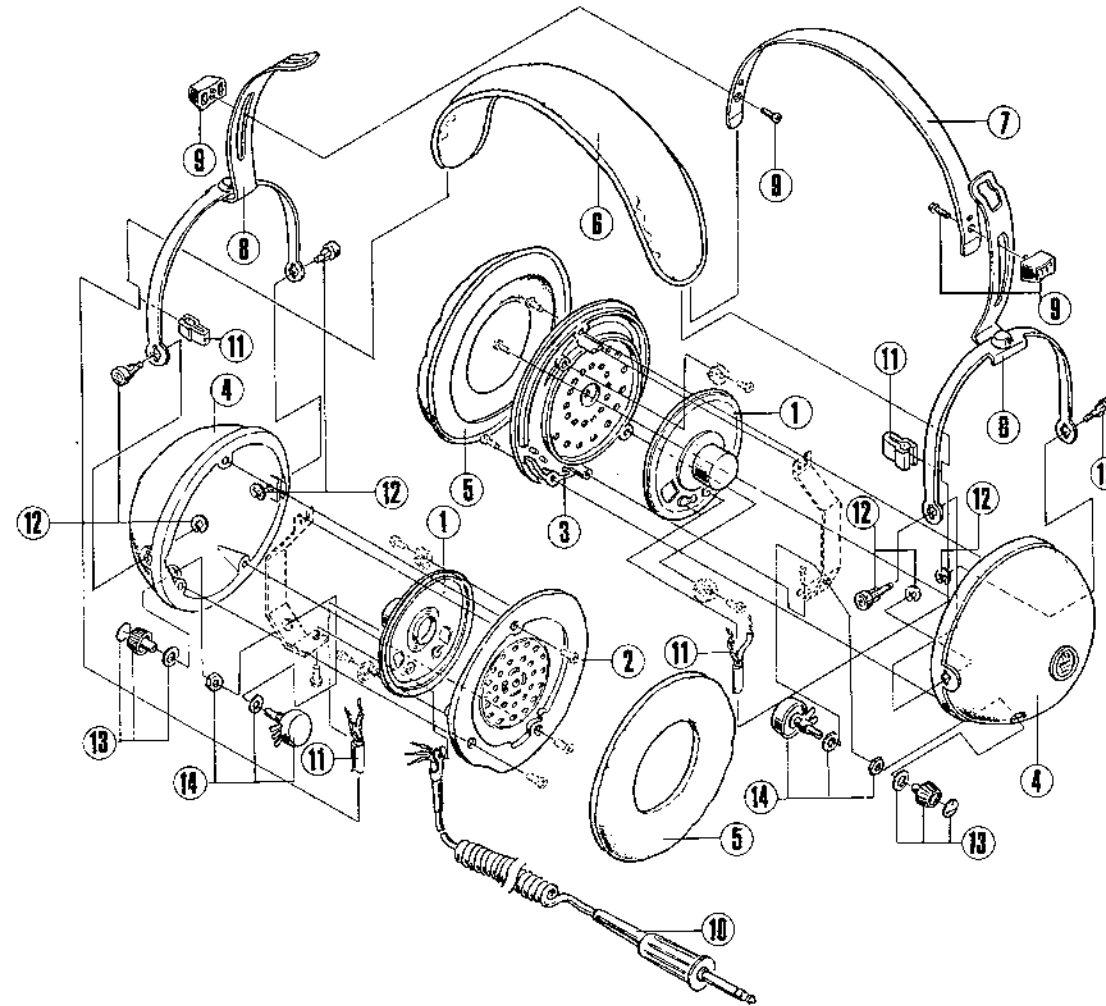
SPECIFICATIONS

Matching impedance ..... 4 to 16Ω  
 Frequency response ..... 20 to 20,000 Hz  
 Maximum input ..... 2V (each channel)  
 Speaker ..... 2-3/4" (7cm) dynamic speaker with polyester cone  
 Control ..... Volume control (each channel)  
 Cord ..... Retractable coiled cord extensible up to  
 16.4 feet (5m), with 3-P plug  
 Weight ..... 14.87oz. (425g), less cord  
 Accessories ..... Y-cord

NOTE:  
 Specifications and the design subject to possible modification without notice  
 due to improvements.

PARTS LIST

Key No.	Description	Part No.
1	Speaker Assembly	SXC-008-0
2	Protection Board (Left)	SXC-027-0
3	Protection Board (Right)	SXC-028-0
4	Case	SXC-023-0
5	Ear pad	SCD-134-A
6	Head pad	SCD-335-0
7	Head Band (A)	N63-741-A
8	Head Band (B)	N63-742-A
9	Adjusting Knob (Left & Right)	SXC-026-0
10	Coiled cord with 3-P Plug	SXC-015-0
11	Lead Wire	SXC-019-0
12	Band Shaft	SXC-006-0
13	Knob	SXC-037-0
14	Volume Control	C81-620-B
	Packing Case	H93-634-0
	Y-Cord	D53-639-0
	Operating Guide	SRB-013-0





# 7. SE-50

## SPECIFICATIONS

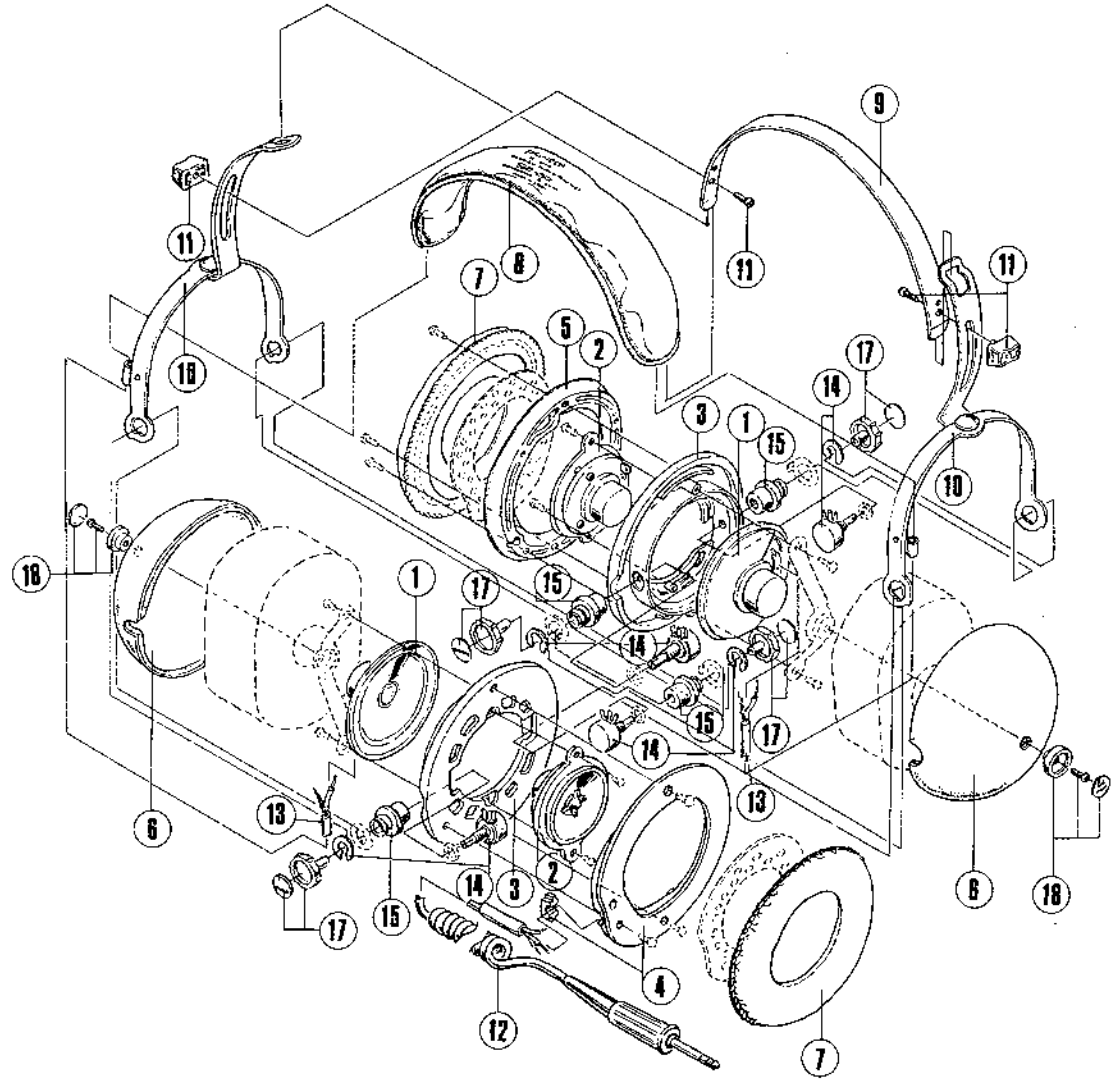
Matching Impedance ..... 4Ω to 16Ω  
 Frequency Response ..... 20 to 20,000 Hz  
 Maximum Allowable Input ..... 0.5W (each channel)  
 Earpiece Elements ..... 3" Cone-type for Lows 1-9/16"  
 (2-way system) ..... Horn-type for Highs  
 Cord ..... 16 feet, coiled, with 3-P plug  
 Weight ..... 1.35lb (without cord)  
 Volume controls ..... Provided on each earpiece, the right and the left, to permit controlling of the volume on each channel.  
 High Level controls ..... Provided on each earpiece, the right and the left, to permit controlling of highs on each channel.



NOTE:  
 Specifications and the design subject to possible modification without notice due to improvements.

## PARTS LIST

Key No.	Description	Part No.
1	Speaker (Woofer)	SXC-009-0
2	Speaker (Tweeter)	DS-6
3	Protection Board	SCD-151-B
4	Ear pad Supporter (Left)	SXC-025-0
5	Ear pad Supporter (Right)	N93-617-0
6	Case	SXC-024-0
7	Ear pad	SCD-116-B
8	Headpad	SCD-150-0
9	Head Band (A)	N63-811-0
10	Head Band (B)	N62-749-A
11	Adjusting Knob (L, R)	SXC-003-0
12	Coiled Cord with 3-P Plug	SXC-016-0
13	Lead Wire	SXC-018-0
14	Volume Control	SXC-036-0
15	Shaft Supporter	N93-717-A
16	Tweeter Knob	SXC-030-0
17	Volume Knob	SXC-031-0
18	Name Plate Assembly	SXC-032-0
	Leather Case	H98-604-A
	Outer Case	H93-623-C
	Operating Guide	R12-640-0



8. SE-100

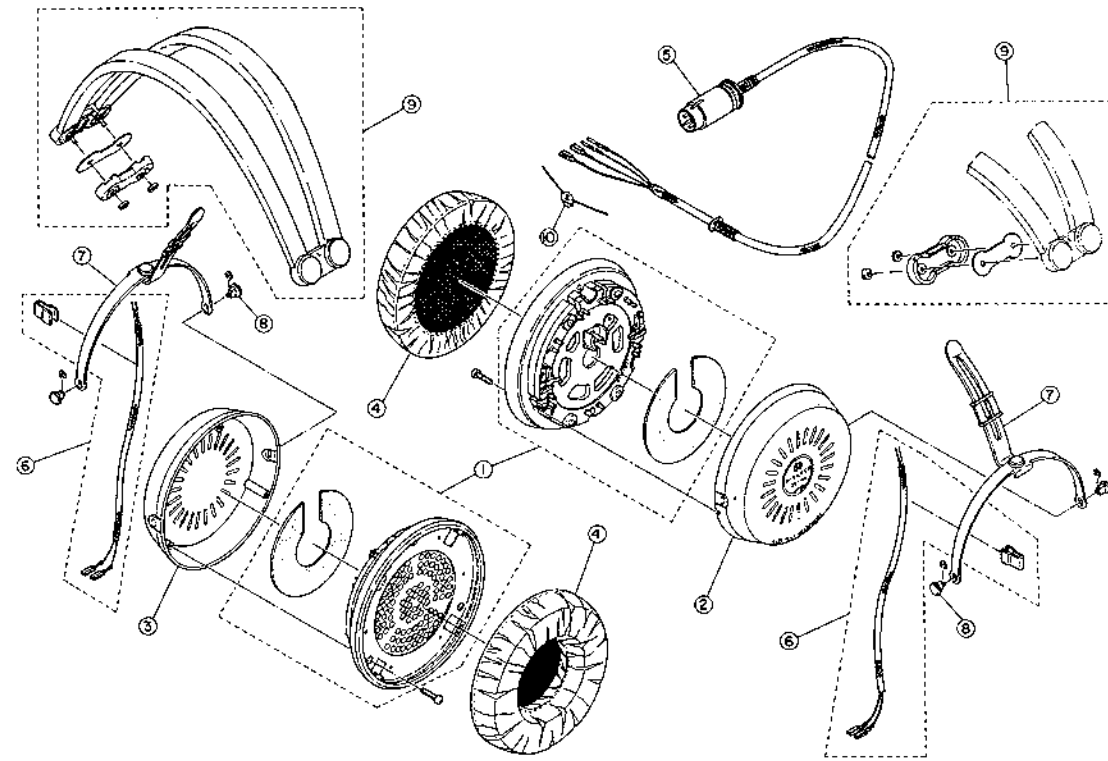
SPECIFICATIONS

Speaker ..... Electret push-pull static type 2-way system  
 Static capacity ..... 140pF (each channel, including the connecting cord)  
 Frequency response ..... 20 to 35,000 Hz  
 Sensitivity ..... 95dB or greater (input 100V) with B&K Artificial ear 4153  
 Maximum sound pressure level ..... 115dB  
 Distortion ..... Less than 1% (at sound pressure level 100dB)  
 Separation ..... 40dB or more (at audible band)  
 Connecting cord ..... 8.2 ft./2.5m (with 4-P plug)  
 Weight ..... 13oz/360g (except connecting cord)

NOTE:  
 Specifications and the design subject to possible modification without notice due to improvements.

PARTS LIST

Key No.	Description	Part No.
1	Speaker Assembly (Electret type)	SXC-048-0
2	Case (L)	SXC-041-0
3	Case (R)	SXC-042-0
4	Ear Pad	SXC-043-0
5	4-P Plug with Connecting Cord	K71-643-0
6	Lead Wire	SXC-044-0
7	Holder Unit	SXC-045-0
8	Shaft for Holder	SXC-046-0
9	Head Band Assembly	SXC-047-0
10	Capacitor (39pF, DC 2kV)	SCG-001-0
	Packing Case	H93-641-0
	Styrol Protector	H92-609-0
	Operating Guide (SE-100, JB-100)	SRB-009-0





10. SE-L20

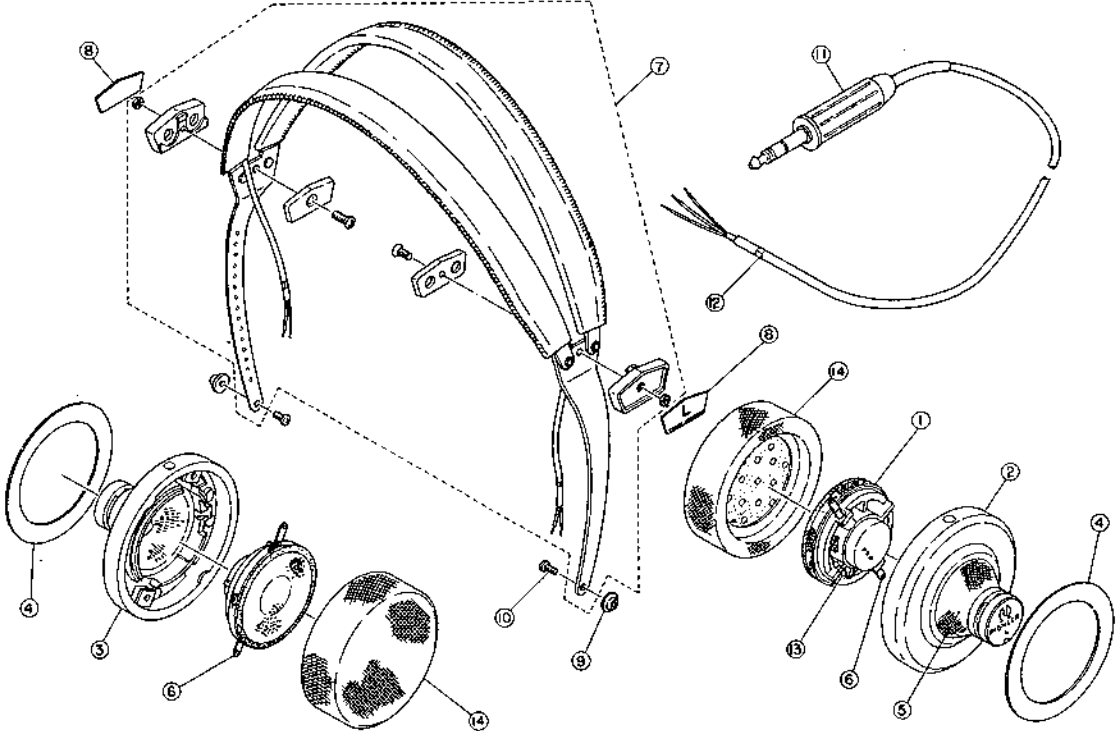
SPECIFICATIONS

Type ..... "Open-air" stereo headphones  
 Speaker ..... 38mm (1-1/2 in) dynamic speaker  
 Impedance ..... 8Ω  
 Matching impedance ..... 4 to 16Ω  
 Frequency response ..... 20 to 20,000 Hz  
 Sound pressure level ..... 109 dB/0.4V  
 Maximum input ..... 30mW (each channel)  
 Cord ..... 2.5m (8-1/4 feet), with 3-P plug  
 Weight ..... 205g (7oz.), less cord

NOTE:  
 Specifications and the design subject to possible modification without notice due to improvements.

PARTS LIST

Key No.	Description	Part No.
1	Speaker	38-705F
2	Ring (L)	SNK-015-0
3	Ring (R)	SNK-016-0
4	Escutcheon Ring	SNB-010-0
5	Speaker Cover	SXC-035-0
6	Spring for Speaker Mounting	SNA-003-0
7	Head Band Assembly	SXC-034-0
8	Escutcheon Template (L, R)	SAX-010-0
9	Stopper	SLA-002-0
10	Screw Cross Pan Head 2.3 x 5	
11	3-P Plug with Cord	SKM-001-0
12	Cord Clamper	SEF-003-0
13	Resistor	SCN-001-0
14	Ear Pad	SXC-069-0
	Packing Case	SHK-013-0
	Operating Guide	SRB-010-0



# 11. SE-L20A

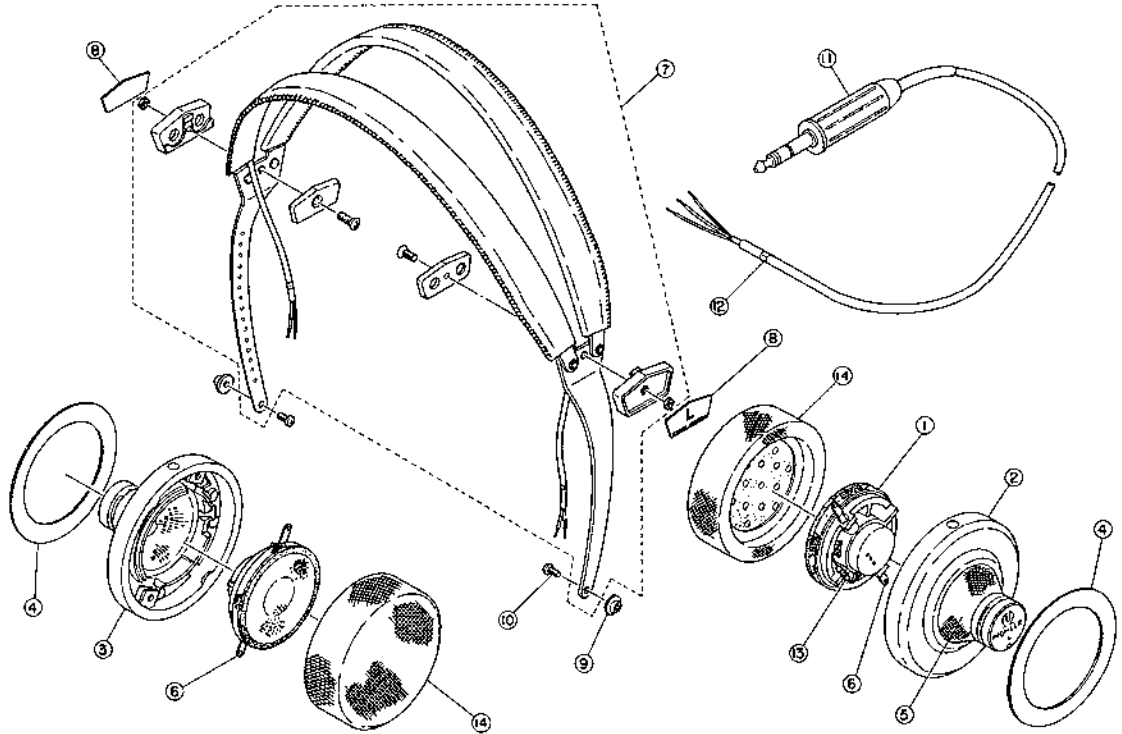
## SPECIFICATIONS

Type ..... "Open-air" stereo headphones  
 Speaker ..... 38mm (1-1/2 in) dynamic speaker  
 Impedance ..... 8Ω  
 Matching impedance ..... 4 to 16Ω  
 Frequency response ..... 20 to 20,000 Hz  
 Sound pressure level ..... 109 dB/0.4V  
 Maximum input ..... 30mW (each channel)  
 Cord ..... 2.5m (8-1/4 feet), with 3-P plug  
 Weight ..... 205g (7 oz), less cord

**NOTE:**  
 Specifications and the design subject to possible modification without notice due to improvements.

## PARTS LIST

Key No.	Description	Part No.
1	Speaker with Resistor	38-705F
2	Ring (L)	SNK-046-0
3	Ring (R)	SNK-047-0
4	Escutcheon Ring	SNB-041-0
5	Speaker Cover	SXC-035-0
6	Spring for Speaker Mounting	SBK-001-0
7	Head Band Assembly	SXC-034-0
8	Escutcheon Template (L, R)	SAX-010-0
9	Stopper	SLA-002-0
10	Screw Cross Pan Head 2.3 x 5	
11	3-P Plug with Cord	SKM-001-0
12	Cord Clamper	SEF-003-0
13	Resistor	SCN-001-0
14	Packing Case Ear Pad Operating Guide	SXC-069-0 SHK-013-0 SRB-010-0



12. SE-L25

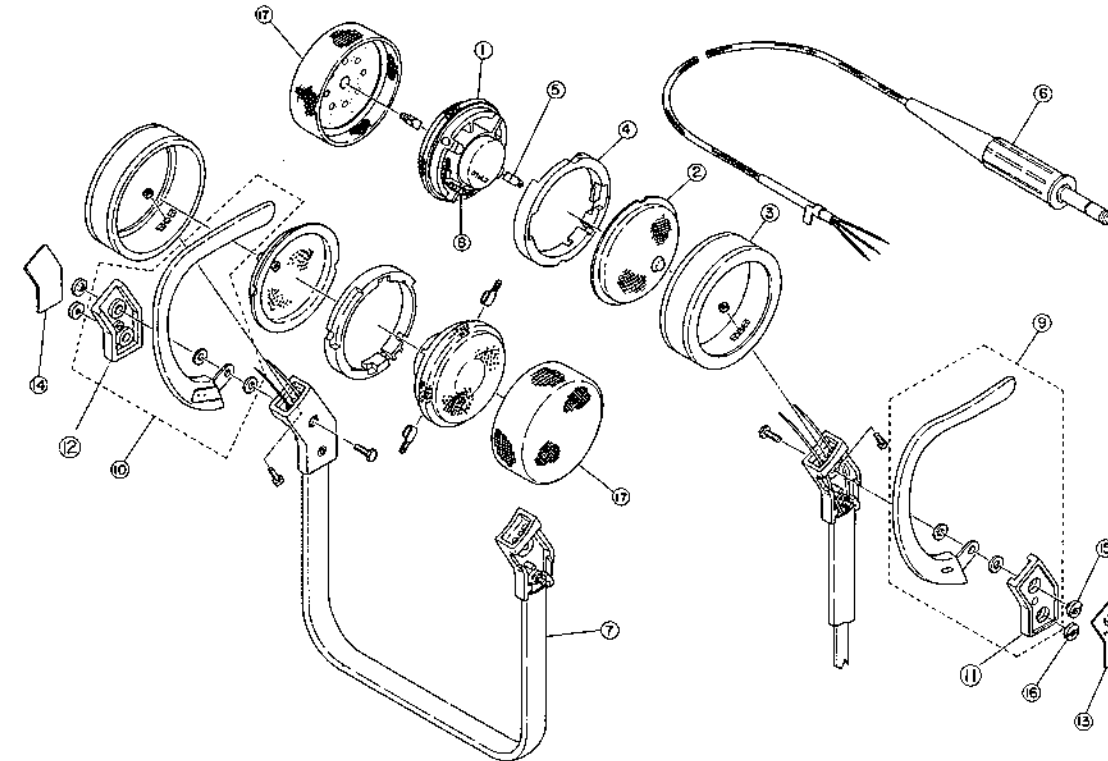
SPECIFICATIONS

Type ..... "Open-air" stereo headphones  
 Speakers ..... 1-1/2" (3.8cm) dynamic type  
 Impedance ..... 8Ω  
 Matching impedance ..... 4 to 16Ω  
 Frequency response ..... 20 to 20,000 Hz  
 Efficiency ..... 109dB/0.4V  
 Maximum input power ..... 30mW (each channel)  
 Connection cord ..... 9.8 feet (3m), with standard 3-P  
 headphone plug  
 Weight ..... 6 oz (160g) (without cord)

NOTE:  
 Specifications and the design subject to possible modification without notice  
 due to improvements.

PARTS LIST

Key No.	Description	Part No.
1	Speaker	38-705F
2	Speaker Cover	SXC-039-0
3	Ring (Outer)	SNK-028-0
4	Ring (Inner)	SNK-021-0
5	Spring for Speaker Mounting	SBK-001-0
6	3-P Plug with Cord	SKM-002-0
7	Band Assembly	SXC-066-0
8	Resistor	SCN-001-0
9	Bow (L)	SXC-067-0
10	Bow (R)	SXC-068-0
11	Bow Retainer (L)	SNK-044-0
12	Bow Retainer (R)	SNK-045-0
13	Model Name Plate (L)	
14	Model Name Plate (R)	
15	Nut (A)	SBN-001-0
16	Nut (B)	SBN-002-0
17	Ear Pad	SXC-038-0
	Packing Case	SHG-023-A
	Decorated Package	SHF-007-0
	Operating Guide	SRB-024-0



# 13. SE-L40

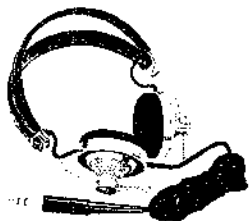
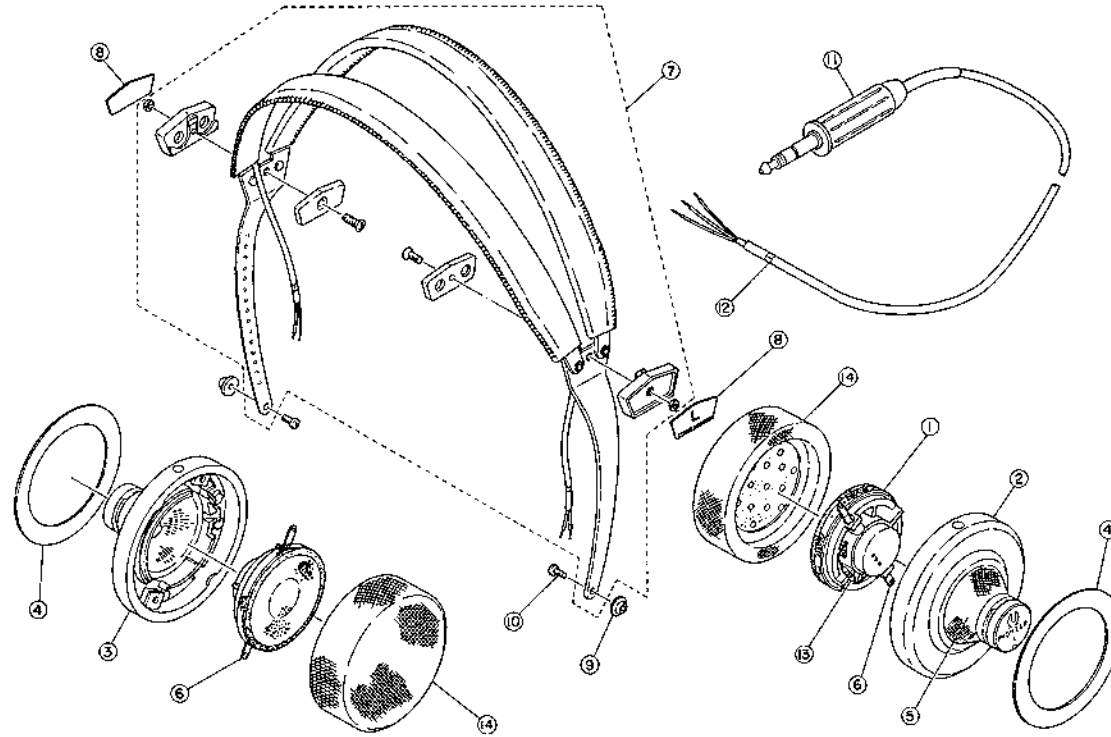
## SPECIFICATIONS

Type ..... "Open-air" stereo headphones  
 Speaker ..... 1-1/2" dynamic speaker  
 Impedance ..... 8Ω  
 Matching impedance ..... 4 to 16Ω  
 Frequency response ..... 20 to 20,000Hz  
 Sound pressure level ..... 108dB/0.4V  
 Maximum input ..... 30mW (each channel)  
 Cord ..... 9.8 feet (3m), with 3-P plug  
 Weight ..... 8 oz. (230 g), less cord

NOTE:  
 Specifications and the design subject to possible modification without notice due to improvements.

## PARTS LIST

Key No.	Description	Part No.
1	Speaker	38-704F
2	Ring (L)	SNK-046-A
3	Ring (R)	SNK-047-A
4	Escutcheon Ring	SNB-010-A
5	Speaker Cover	SXC-035-C
6	Spring for Speaker Mounting	SNA-003-0
7	Head Band Assembly	SXC-034-C
8	Escutcheon Template (L, R)	SAX-011-0
9	Stopper	SLA-002-0
10	Screw Cross Pan Head 2.3 x 5	
11	3-P Plug with Cord	SKM-002-0
12	Cord Clamper	SEF-003-0
13	Resistor	SCN-001-0
14	Ear Pad	SXC-069-0
	Packing Case	SHG-019-0
	Decorated Package	SHF-006-0
	Operating Guide	SRB-011-0



14. SE-305

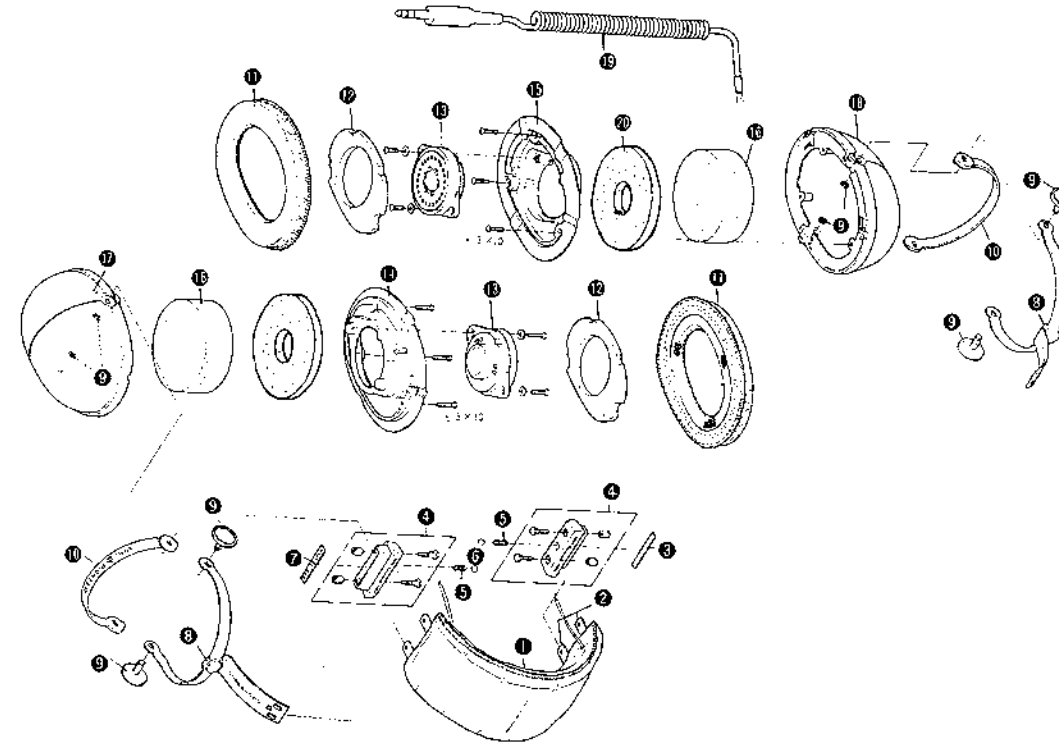
SPECIFICATIONS

Speaker ..... 45φmm (1-3/4 in) dynamic speaker  
 Impedance ..... 8Ω  
 Matching impedance ..... 4 to 16Ω  
 Frequency response ..... 20 to 20,000 Hz  
 Sound pressure level ..... 108 dB/0.3V  
 Maximum input ..... 500mW (each channel)  
 Cord length ..... Retractable coiled cord extensible up to 16.4 feet (5m), with 3-P plug  
 Weight ..... 435g (16 oz), less cord

NOTE:  
 Specifications and the design subject to possible modification without notice due to improvements.

PARTS LIST

Key No.	Description	Part No.
1	Head pad	SCD-434-0
2	Head band A	SNB-058-0
3	Name plate (Left)	SAL-263-0
4	Head band holder Ass'y A	SXC-077-0
5	Spring	SBH-001-0
6	Steel ball 4φ	SEF-022-0
7	Name plate (Right)	SAL-263-A
8	Head band B	SNB-059-0
9	Shaft	SXC-079-0
10	Band	SNB-060-0
11	Ear pad	SCD-431-0
12	Acoustic material	SMT-065-B
13	Speaker assembly	45-702F
14	Protection board (Right)	SNK-075-0
15	Protection board (Left)	SNK-074-0
16	Acoustic material with 20	
17	Case (Right)	SCC-231-0
18	Case (Left)	SCC-230-0
19	Coiled cord with 3-P Plug	SXC-078-0
	Operating guide	SRB-061-0
	Plastic case	SXC-073-0
	Packing case	SHG-051-0





# 15. SE-505

## SPECIFICATIONS

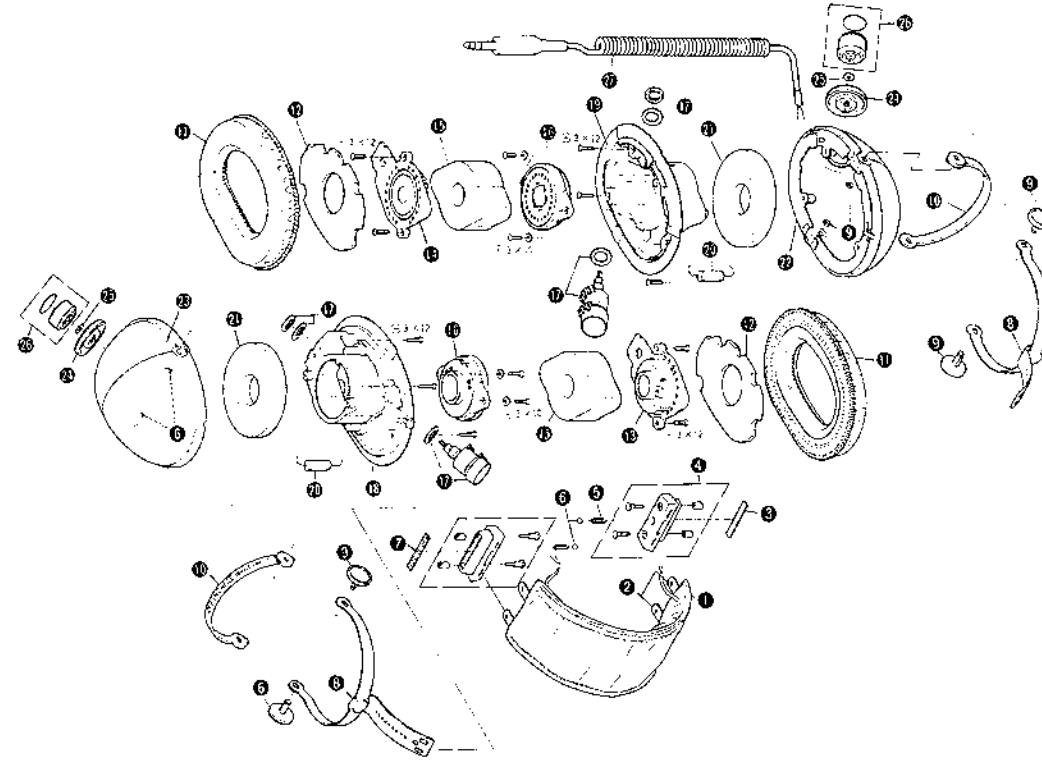
Speaker .....	Woofers-polyester cone 45φmm (1-3/4 in) Tweeter-polyester cone 32φmm (1-1/4 in)
Impedance .....	8Ω
Matching impedance .....	4 to 16Ω
Frequency response .....	20 to 20,000 Hz
Sound pressure level .....	108 dB/0.3V
Maximum input .....	500mW (each channel)
Cord length .....	Retractable coiled cord extensible up to 5m (16.4 feet), with 3-P plug
Weight .....	690g 1lb 8oz. less cord
Subfunction .....	Volume control Tone control



NOTE:  
Specifications and the design subject to possible modification without notice due to improvements.

## PARTS LIST

Key No.	Description	Part No.
1	Head pad with lead wire	SXC-082-0
2	Head band A	SNB-066-0
3	Name plate (Left)	SAL-271-0
4	Head band holder Assembly B	
5	Spring	SBH-001-0
6	Steel ball 4φ	SEF-022-0
7	Name plate (Right)	SAL-271-A
8	Head band B	SNB-067-0
9	Shaft	SXC-080-0
10	Band	SNB-065-0
11	Ear pad	SCD-441-0
12	Acoustic material	SMT-090-0
13	Tweeter assembly (Right)	SXC-085-0
14	Tweeter assembly (Left)	SXC-079-0
15	Acoustic material	
16	Woofers assembly	45-703F
17	Volume control assembly	SXC-083-0
18	Protection board (Right)	SNK-085-0
19	Protection board (Left)	SNK-084-0
20	Capacitor 8μF 10V NP	
21	Acoustic material	
22	Case (Left)	SCC-232-0
23	Case (Right)	SCC-233-0
24	Knob (Tone control)	SAA-088-0
25	Knob washer	SEC-119-0



Key No.	Description	Part No.
26	Knob assembly (Volume control)	SXC-084-0
27	Coiled cord with 3-P plug	SXC-078-0
	Operating guide	SRB-061-0
	Plastic case	SXC-074-0
	Packing case	SHG-052-0

**PIONEER ELECTRONIC CORPORATION**  
15-5, 4-Chome, Ohmori-nishi, Ohta-ku, Tokyo, Japan  
**U.S. PIONEER ELECTRONICS CORPORATION**  
178 Commerce Road, Carlstadt, New Jersey 07072 U. S. A.  
**PIONEER ELECTRONIC (EUROPE) N.V.**  
Meir-center, Meir 21, 2000 Antwerp, Belgium

© MAR. 1973 PRINTED IN JAPAN