

5. SCHEMATIC CIRCUIT DIAGRAM (GEX-T5/EW)

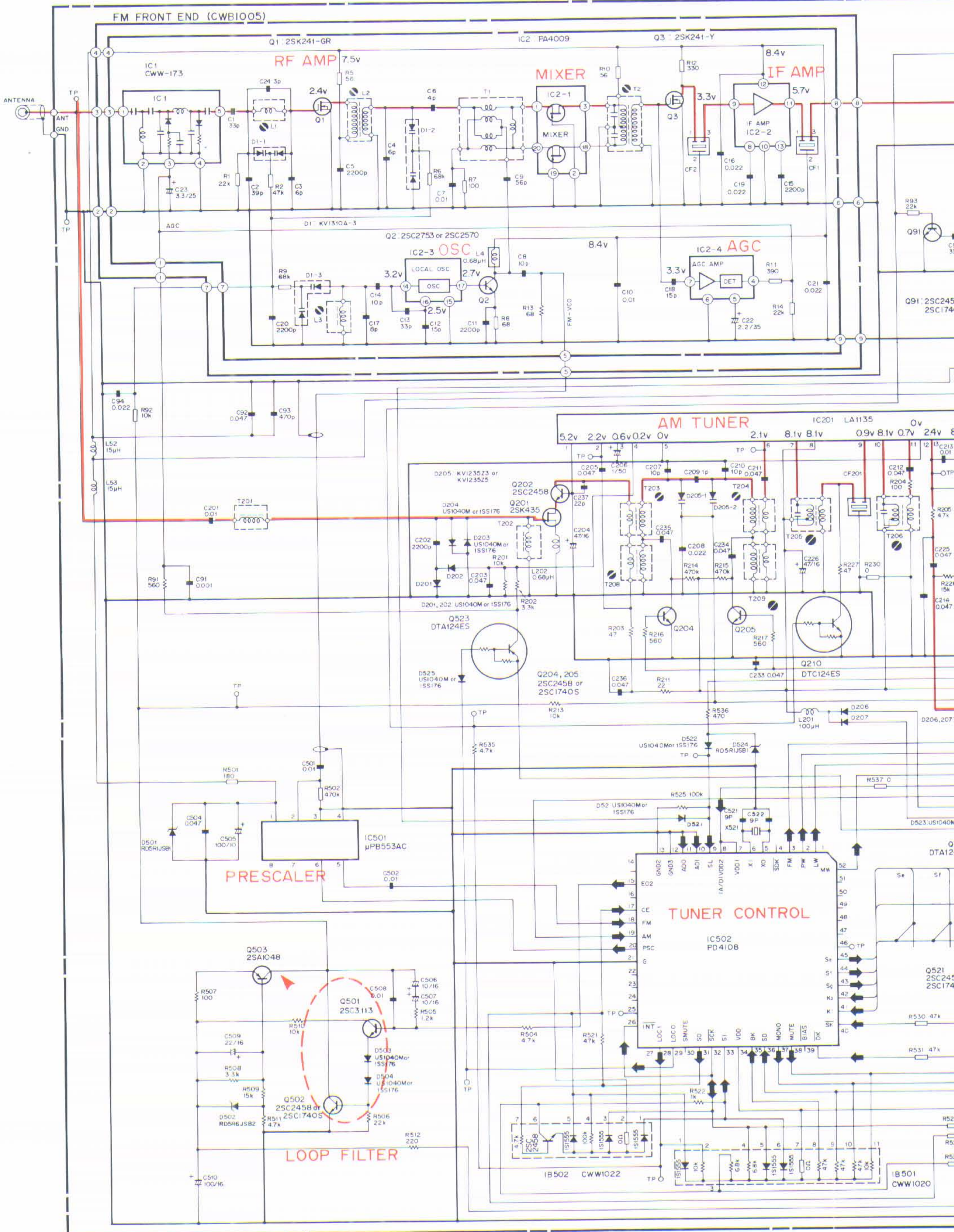
TUNER P.C.BOARD

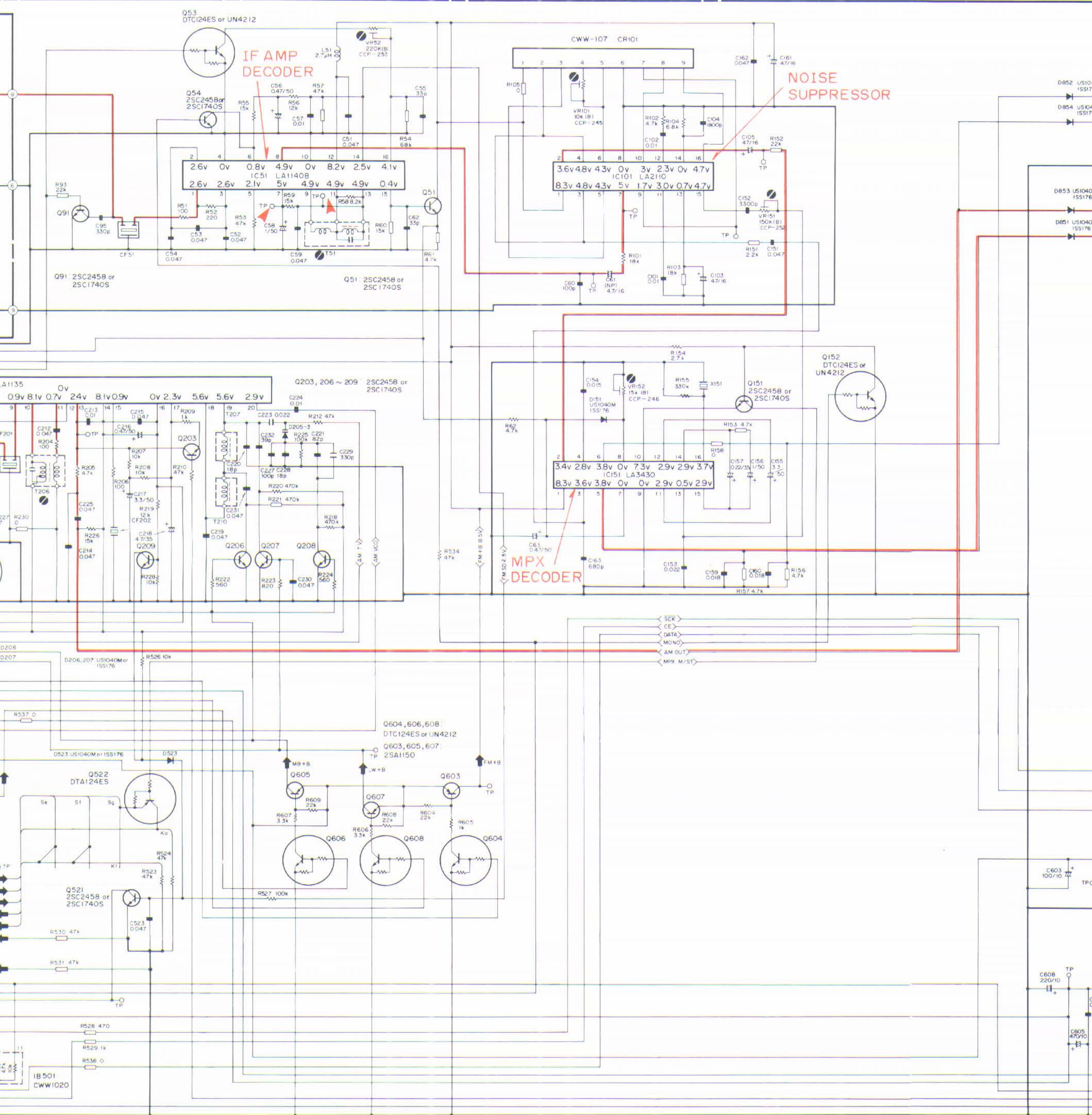
A

B

C

D





7

8

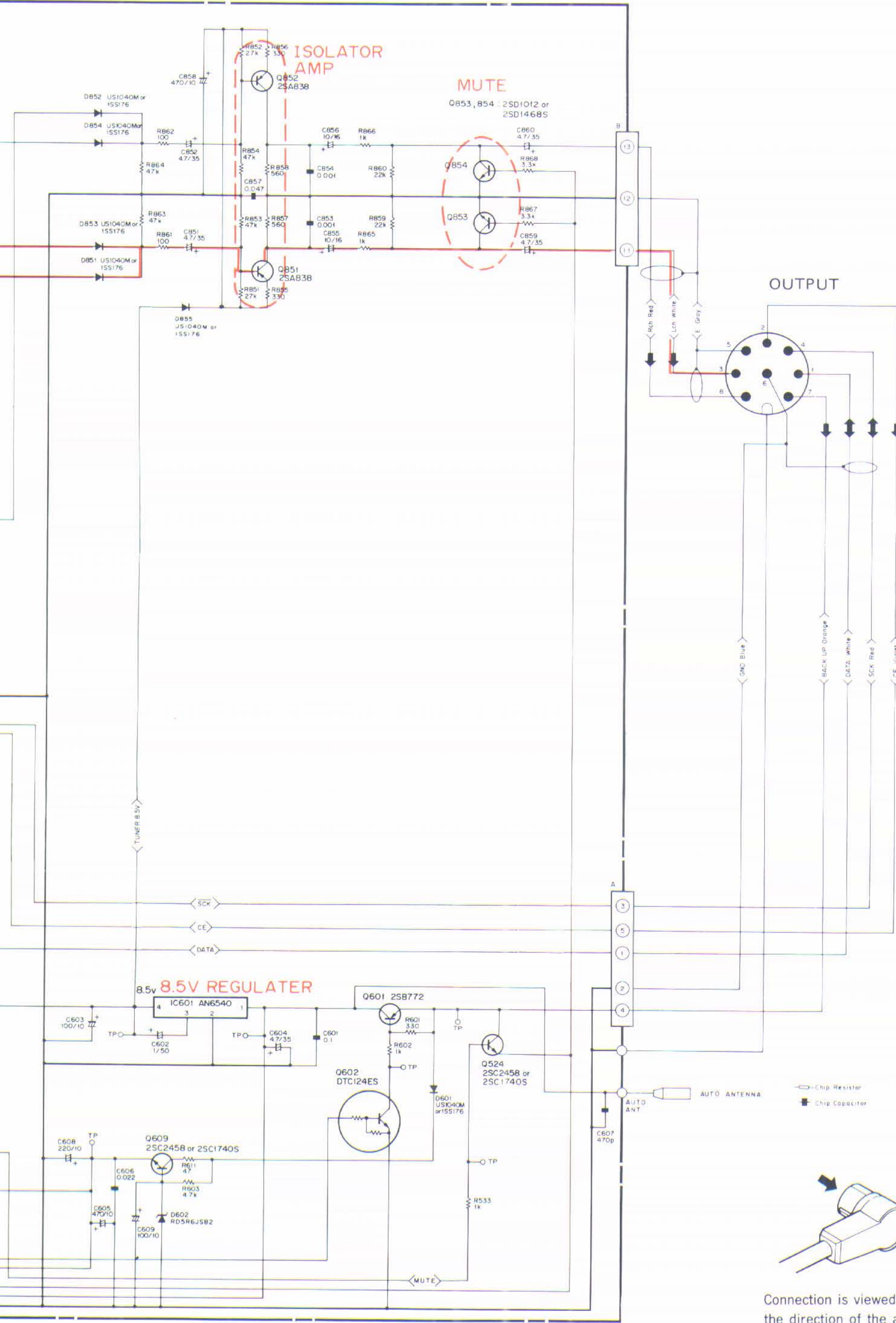
9

A

B

C

D



Connection is viewed from the direction of the arrow.

Fig. 12

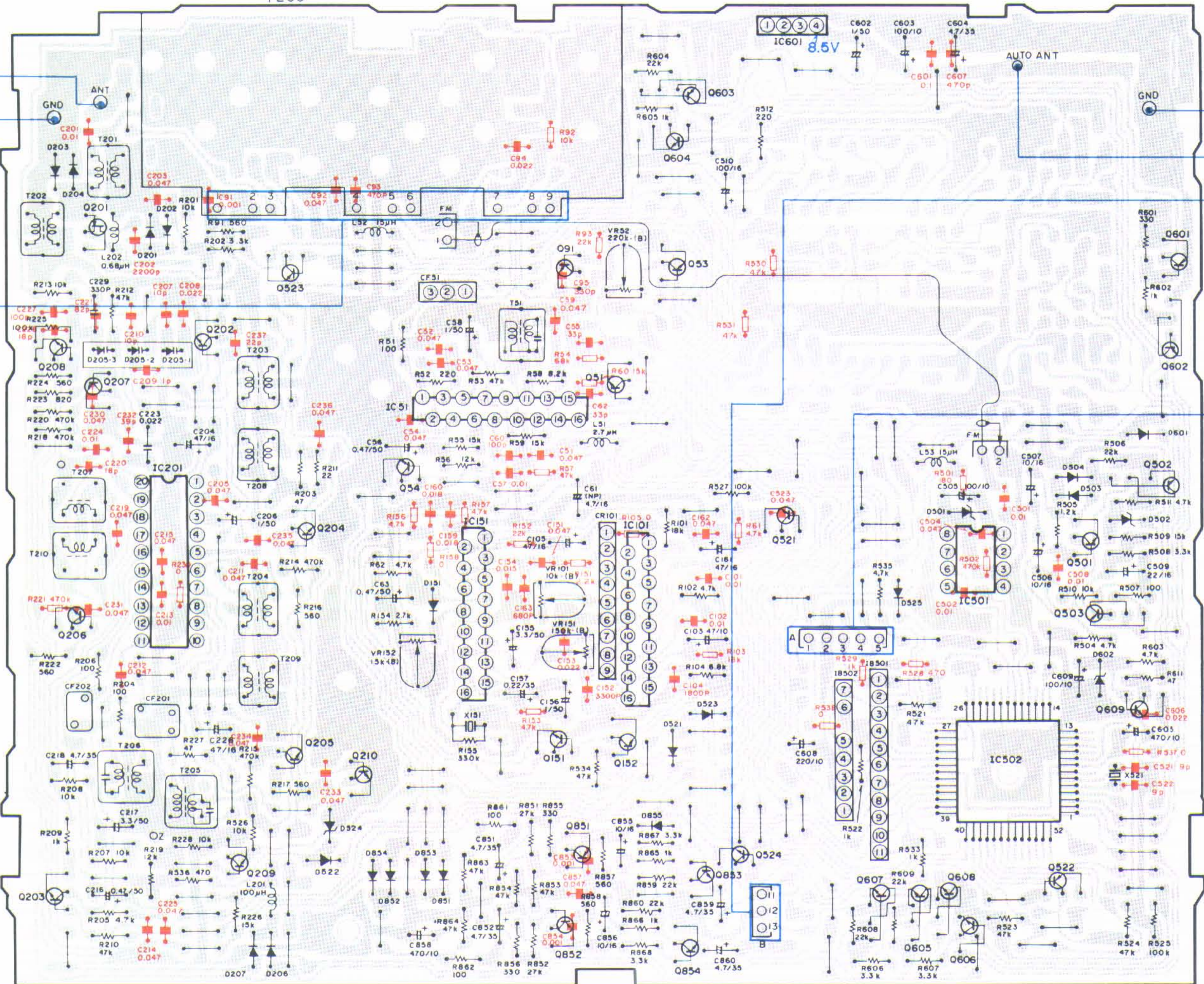
7

8

9

TUNER P.C.BOARD

| | | | | | |
|----------------------|----------------|------------|---------------------|------------|----------------------|
| Q208 | Q523 | Q91 | Q53 | Q603 | Q601 |
| Q206 Q201 | Q204 | Q151 | Q51 | Q604 | Q602 |
| Q,IC Q203 Q207 IC201 | Q209 | Q851 IC101 | Q853 | Q521 | IC501 |
| Q202 | Q205 | Q852 | Q152 Q854 | Q524 IC601 | Q607 Q605 |
| ADJ | T207 T210 T206 | T205 | T203 T208 T204 T209 | VR152 | T51 VR101 VR52 VR151 |
| | | | | | IC502 Q522 Q503 Q502 |



| | |
|------------------|---|
| IC51 : LA1140B | Q51, 54, 91, 151, 202~209, 502, 521, 524, 609 : 2SC2458 or 2SC1740S |
| IC101 : LA2110 | D205 : KV1235Z3 or KV1235Z5 |
| IC151 : LA3430 | Q53, 152, 210, 602, 604, 606 : DTC124ES or UN4212 |
| IC201 : LA1135 | Q201 : 2SK435 |
| IC501 : μPB553AC | Q501 : 2SC3113 |
| IC502 : PD410B | Q503 : 2SA1048 |
| IC601 : AN6540 | Q522, 523, 855 : DTA124ES |
| CR101 : CWW107 | Q601 : 2SB772 |
| IB501 : CWW1020 | Q603, 605, 607 : 2SA1150 |
| IB502 : CWW1022 | Q851, 852 : 29A838 |
| | Q853, 854 : 2SD1012 or 2SD1468S |

| |
|---|
| D51, 151, 201 ~ 204, 206, 207, 503, 504, 521, 522 : US1040M or ISS176 |
| D501, 524 : RD5R1JSB1 or RD5R1JSB2 or MTZ5R1JA or MTZ5R1JB |
| D502, 602 : RD5R6JSB2 or HZ5R6JB2 |
| D523, 525, 601, 851~856 : US1040M or ISS176 |

- ① 10k
- ② 6.8k
- ③ 6.8k
- ④ 6.8k
- ⑤ 47k
- ⑥ 47k
- ⑦ 47k
- ⑧ 47k
- ⑨ 10k
- ⑩ 10k
- ⑪ 10k
- ⑫ 10k
- ⑬ 10k
- ⑭ 10k
- ⑮ 10k
- ⑯ 10k
- ⑰ 10k
- ⑱ 10k
- ⑲ 10k
- ⑳ 10k
- ㉑ 10k
- ㉒ 10k
- ㉓ 10k
- ㉔ 10k
- ㉕ 10k
- ㉖ 10k
- ㉗ 10k
- ㉘ 10k
- ㉙ 10k
- ㉚ 10k
- ㉛ 10k
- ㉜ 10k
- ㉝ 10k
- ㉞ 10k
- ㉟ 10k
- ㊱ 10k
- ㊲ 10k
- ㊳ 10k
- ㊴ 10k
- ㊵ 10k
- ㊶ 10k
- ㊷ 10k
- ㊸ 10k
- ㊹ 10k
- ㊺ 10k
- ㊻ 10k
- ㊼ 10k
- ㊽ 10k
- ㊾ 10k
- ㊿ 10k

7

8

9

A

B

C

D

Q601
Q602
C501 Q501 Q502
C502 Q522 Q503 Q609

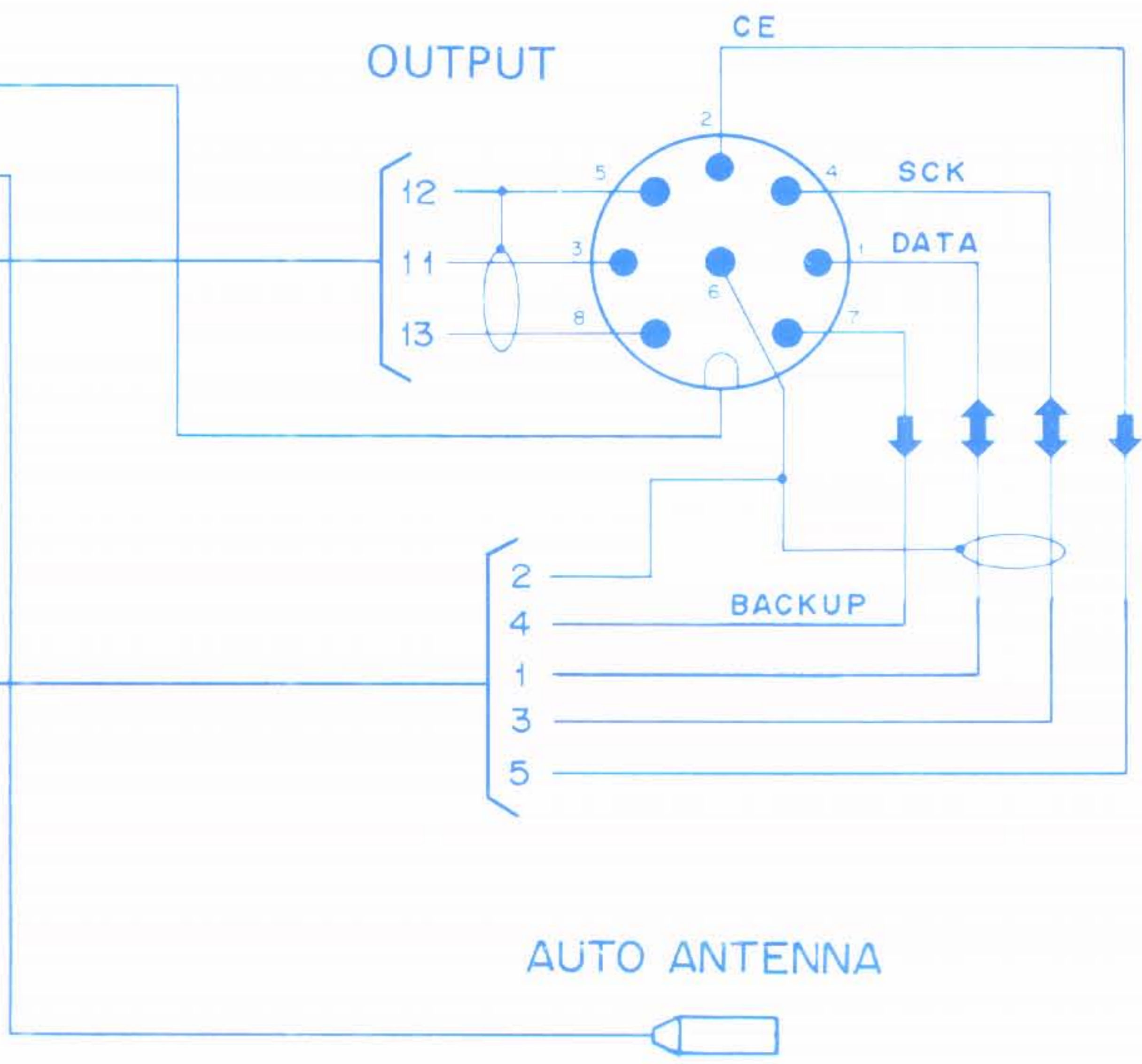
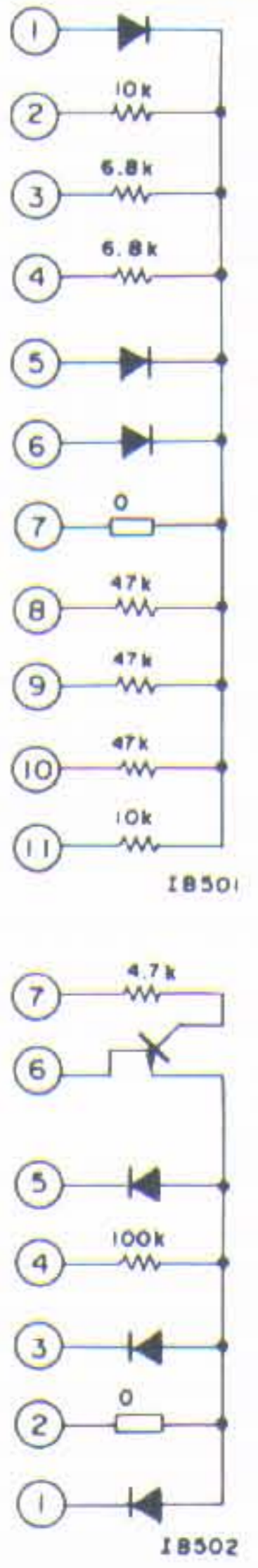
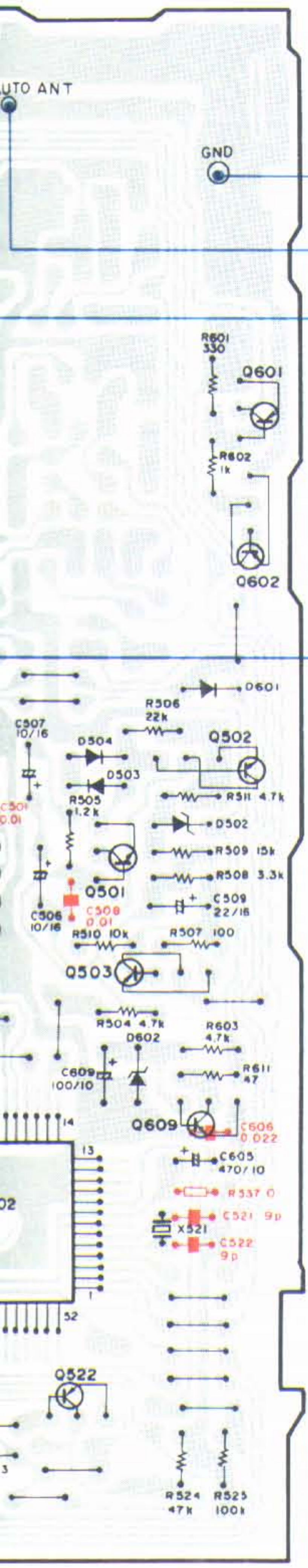


Fig. 13

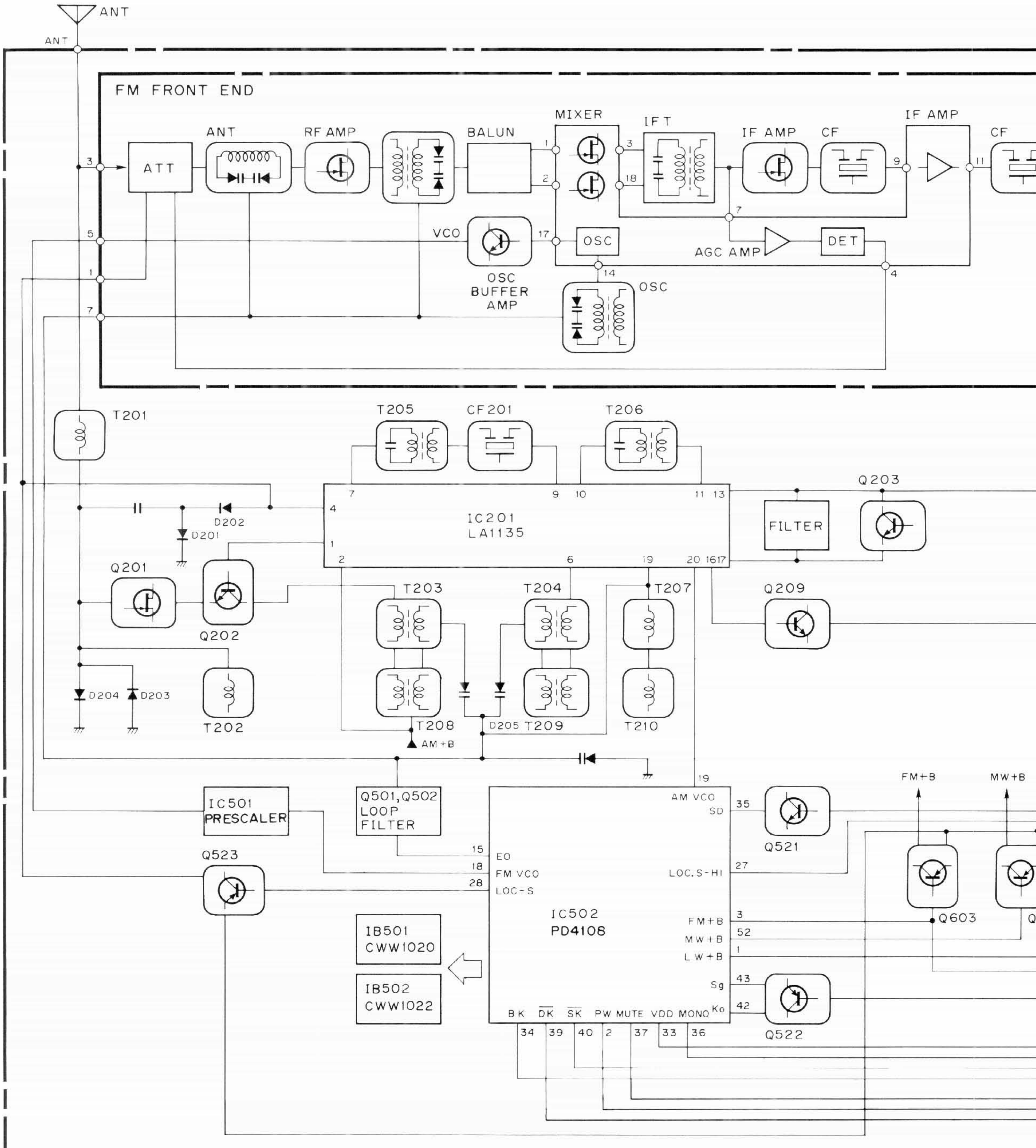
7

8

9

2. CIRCUIT DESCRIPTION

• Block Diagram (GEX-T5/EW, SDK/WG)



GEX-T5 SDK / WG Only

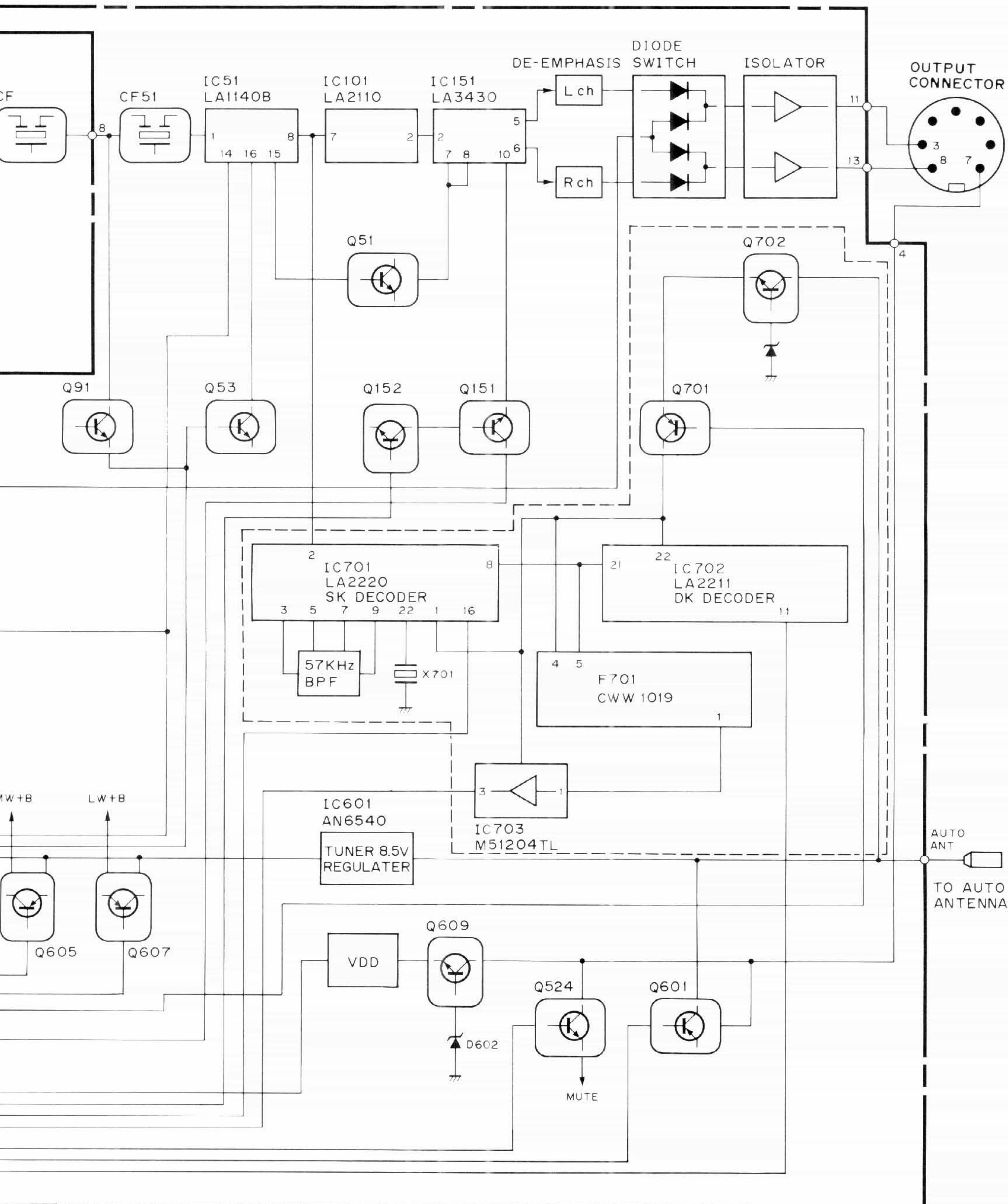


Fig. 1