

MULTI-PLAY
COMPACT DISC PLAYER

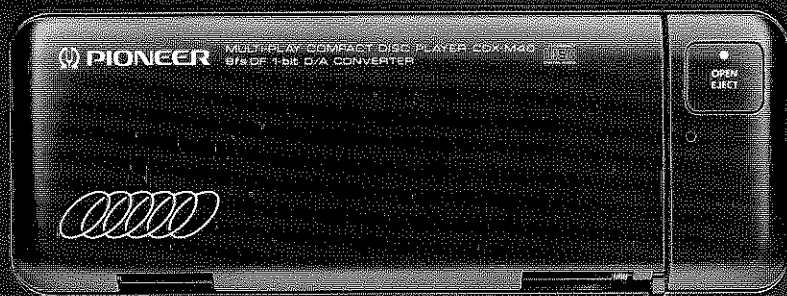
OWNER'S MANUAL

Thank you for purchasing the PIONEER product. Before
starting operation, please read this manual.

Please use only the compact disc which has the PIONEER
Multi-Play Compact Disc logo or the CD-DA logo.

Please refer to the instruction for the PIONEER product
which is included in the package for the details of the operation.

Please refer to the instruction for the PIONEER product which is
included in the package for the details of the operation.



 **PIONEER®**
The Art of Entertainment

CDX-M40

Features

- An 8-times-oversampling digital filter and 1-bit digital-to-analog converter allow CD's to be played with exceptional fidelity.
- Because this compact disc player uses disc magazines, 6 discs can be played one after the other for many hours of the high-quality sound only compact discs can give.
- The magazines are compatible with the home multi-play compact disc players, so while driving you can enjoy listening to the disc libraries you have made at home.
- Automatic Magazine Program Selection automatically finds the program for the magazine in use from those in the multi-CD controller memory.
- This player can be mounted two ways; horizontally and vertically. You can choose either according to the mounting place.

CAUTION: USE OF CONTROL OR ADJUSTMENT OR PERFORMANCE OF PROCEDURES OTHER THAN THOSE SPECIFIED HEREIN MAY RESULT IN HAZARDOUS RADIATION EXPOSURE.

CAUTION: THE USE OF OPTICAL INSTRUMENTS WITH THIS PRODUCT WILL INCREASE EYE HAZARD.

Transportation Screws

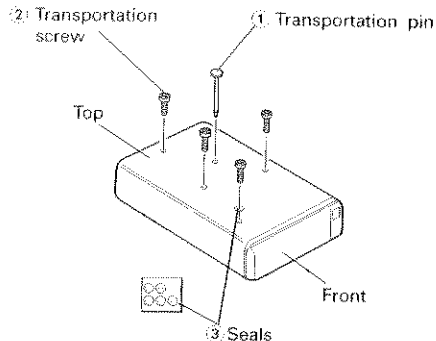
Removal of Screws

Be sure to remove transportation screws (red) ① and ② in this order and cover the screw holes with seals ③ before mounting the set. Peel off adhesive tape to remove the transportation pin ①. **Keep the screws in a safe place; they may be needed for retransportation of the set.**

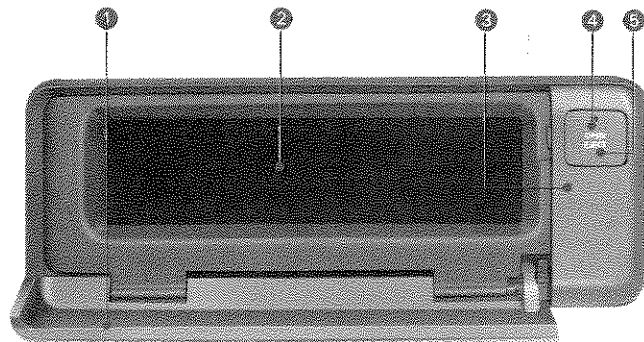
Reinstallation of Screws

Be sure to reinstall the transportation screws (red) in the procedure described below before re-transporting the set. Incorrect order of reinstallation or use of different screws may cause the set to fail.

1. Let the set operate the beginning of a disc and stop operation within 10 seconds thereafter before removing the set.
 2. Remove the magazine and then the set.
 3. Reinstall the transportation screws in the reverse order (② and ①) of removal. Fasten the transportation pin ① with adhesive tape.
- Make sure the player is mounted using transportation screws correctly—either for horizontal mounting or vertical mounting.
 - Contact your dealer or the nearest authorized PIONEER Service Station, if pin ① cannot be reinstalled or step 1 or 2 above cannot be executed.



General Guide



① Door

Be sure never to leave the door open.

② Compact disc magazine slot

③ Clear button


If the power does not switch on or if the compact disc player does not operate when the button on the multi-CD controller is pressed, or if the multi-CD controller display is incorrect, press this button on the player with the tip of a pencil to restore normal operation. **Always press the clear button on the multi-CD controller, too, after pressing this button.**

④ Power indicator


This lamp comes on when the power is turned on.

⑤ Door open/eject button

Press this button to open the door ① and eject the magazine.

The Magazine Type Multi-Play CD players with  mark and the Magazines with the same mark are compatible for 5-inch (12 cm) discs.

Precautions when Using 8-cm (3-inch) CDs

- Do not use an 8-cm (3-inch) CD without an adapter or without a disc in this player.
- When playing an 8-cm (3-inch) CD, use an adapter conforming to the recommended CD standard, or an adapter with the  mark.
- Read the instructions supplied with the adapter in order to fit the adapter to an 8-cm (3-inch) CD correctly before playing the disc.

If the above precautions are not taken, the 8-cm (3-inch) CD may fail to play. The disc may be damaged or may get jammed in the player.

Note on last position memory

The owner's manuals for the DEX-M300 and KEX-M700 controllers say that the last track memory restarts play from the beginning of the track being played when the disc was stopped. But when you use one of these controllers with this player, the last position memory restarts play around the position at which the disc was stopped.

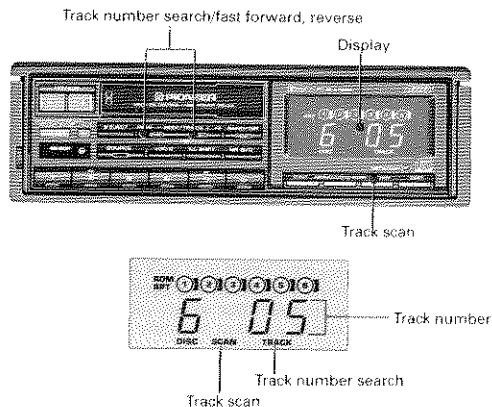
Note on random play

When using the random play feature of this player, you can get random play using up to six discs in the magazine. The owner's manuals for the DEX-M300 and KEX-M700 controllers say that random play works with only one disc. But when you use one of these controllers with this player, all six discs are available.

Highlight scan

KEH-M5000QR KEX-M800 KEX-M700 DEX-M300

If this player is combined with one of the models mentioned above car stereo, it will offer highlight scan instead of track scan. In this case, ignore the section on track scan in the owner's manuals for the player, and read the following information on highlight scan instead. (This information refers to the KEH-M5000QR player, but applied to other players, too.)



Using highlight scan

The highlight scan function plays one track after another for about ten seconds each, beginning at a particular start time. Use it when searching for a piece you like. If you don't set the start time yourself, ten-second playback of each track starts one minute into each track.

1. Press the track scan button. (SCAN appears on the display.)
2. Tracks will be played one after another for about ten seconds, starting one minute into each track.
3. When you hear a track you like, press the track scan button again; the player will cancel highlight scan and continue playing the track.

 - When highlight scan arrives back at the track at which it began, it is automatically cancelled and normal play resumes.

Changing the start time

Example: Setting the start time to 30 seconds into each track

1. Press the + and - sides of the track number search button at the same time. (This causes TRACK to disappear and the start time to appear on the display.)

 - On the KEX-M700 and DEX-M300 models, press the track scan/fast forward and reverse button (manual) to ready the player for fast forward and reverse.

2. Using the + and - sides of the track number search button, set the time to 30 seconds.



3. Hold the track scan button down for more than two seconds. (SCAN appears on the display.) The next and subsequent tracks will be played with highlight scan, starting 30 seconds into each track.

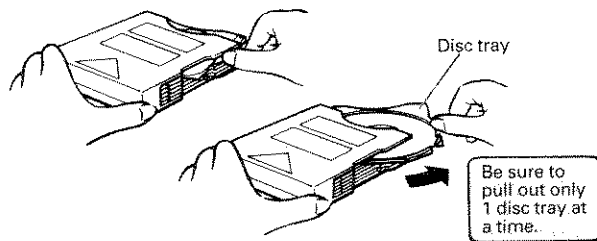
 - The start time can be set in ten-second steps. A time less than ten seconds is taken as zero.
 - If the total time of a track is less than the start time, the track is played from the beginning for about ten seconds.
 - If a track lasts for less than ten seconds after highlight scan starts, the track is just played to the end, resulting in a shorter playing time.
 - It is impossible to set a start time greater than the playing time for a particular track. If you want to start a long way into each track, make sure that you use a disc with long track.

Using the Compact Disc Magazine

Inserting discs

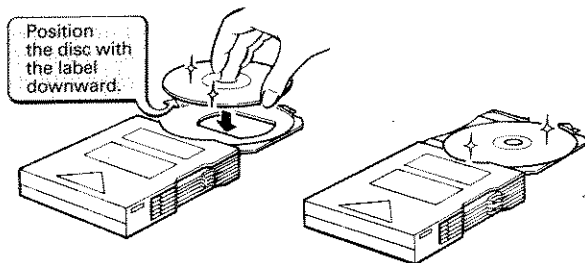
Insert your selected discs into the supplied magazine. Up to 6 discs may be inserted into the magazine. The discs are numbered from 1 (top tray) to 6 (bottom tray).

1. Pull out 1 disc tray from the magazine.

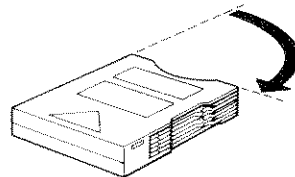


2. Put 1 disc on the disc tray, label downward.

- Do not touch the recorded side of a disc when inserting or removing it.



3. Push the disc tray back in.



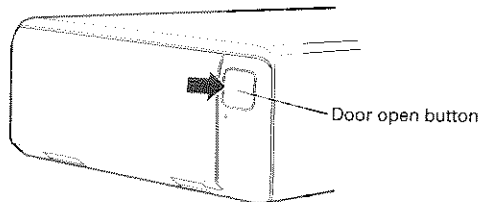
- This compact disc player recognizes which magazine is in use from the top disc. Always keep a disc in the top disc tray.
- If you load a disc with the label generally printed in black facing up, not only will the player not be able to recognize whether the disc is set or not, but also, if you have a multi CD controller, the controller will not display an error message to let you know about it. So make sure all the discs in each magazine have their label sides facing down.

Precautions when handling magazines

- Keep the magazine in its special case after use. Do not put the magazine in a place where it will be exposed to high temperatures or direct sunlight.
- Do not disassemble the magazine.
- Take care not to drop the magazine or knock it against anything. Do not force the pulled-out tray in any way.
- The use of benzine, thinner, insecticide, or other volatile chemicals may damage the magazine surface.

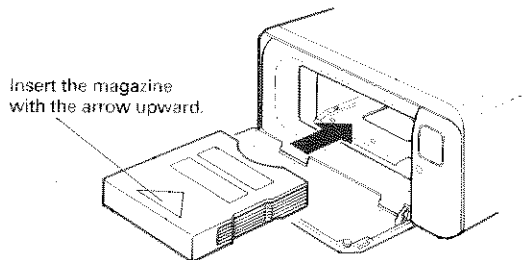
Inserting the magazine

1. Press the door open button.



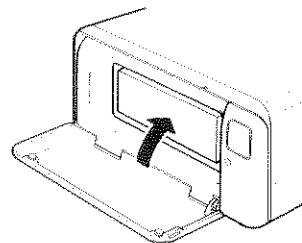
2. Insert the magazine.

- Make sure that the magazine is loaded with discs before inserting it into the player.
- Be careful to insert the magazine into player with the mark facing upward.
- If the label on the magazine is coming off or wrinkled up, it may damage the eject mechanism, and in some cases, the magazine may not be ejected. Therefore, remove a damaged label completely before use.

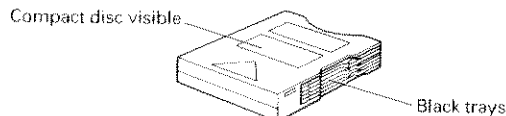


3. Close the door.

- Never leave the door open while playing discs. The entry of dirt, dust, or any other foreign matter into the player may cause it to fail.

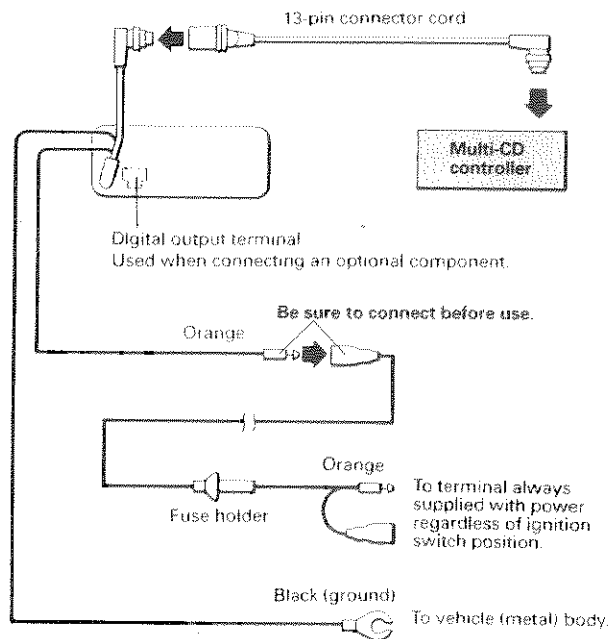


The six-compact-disc magazine supplied with this player can also be used with the home multi-play compact disc player. Spare magazines are available separately. Use them to create your own disc library by putting the recordings of one particular musician into one magazine or by classifying magazines by genre. Note that the six-compact-disc magazine (JD-M6) shown below, the magazine for six 8-cm (3-inch) compact discs (JD-M108), and the single-compact-disc magazine supplied with the home multi-play compact disc player cannot be used with this player.



Connecting the Units

- Before mounting, remove the transportation screws (see page 2) and connect the units temporarily. Check that the units are connected correctly by operating the multi-CD controller.
- Be sure to properly connect the color-coded leads. Failure to do so can cause malfunctions.
- When connecting the cords, be sure to fix them firmly with clamps or tape. Be sure to protect the cords from damage by taping them at places where they will contact burr.
- After connection is complete, press the clear buttons on the player and the multi-CD controller with the tip of a pencil.
- Wire all connecting cords so that they stay well clear of high-temperature areas such as the heater outlet.
- Do not drill a hole into the engine compartment to connect the orange power cable directly to the battery.
- Be sure to connect the ground lead (black) to the vehicle body or some other metal part that is properly grounded to the chassis. If the ground lead is not properly connected, noise may occur or the player or multi-CD controller may not operate correctly.



Installation

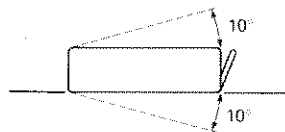
- Be sure to use the parts supplied and mount the unit securely. If parts other than those supplied (specified) are used, they may loosen or damage internal parts.
- Be sure to consult your dealer before making any holes in the car.
- Before drilling a hole into the trunk, confirm that there is nothing behind the hole. Never drill a hole in the fuel tank or any other important part.
- Make sure to take off the (-) side connector on the car battery to prevent short circuits while you are mounting the unit.

Location

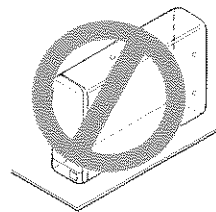
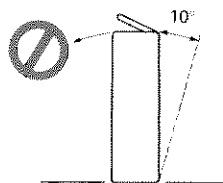
- Be sure to mount the unit in places where the driver is not bothered and where there is no danger of passengers being injured in case of sudden stops.
- Do not mount the player near the heater outlet, where it would be affected by heat, or near the doors, where rainwater might splash onto it.
- Do not mount the player anywhere that gets the sun and so becomes hot, like on the dashboard or the rear shelf.
- When mounting the player, make sure none of the leads are trapped between the player and the surrounding metalwork or fittings.
- Do not mount the player on the spare tire board or any other unstable place.
- Mount the player in a place where it does not prevent the spare tire, jack, or tools from being easily removed.

- Although the player can be mounted horizontally or vertically, keep to the tolerable angles shown below. In addition, choose a place where the CD magazine can be loaded and unloaded easily.

Horizontal mounting



Vertical mounting



- When the player is mounted vertically, face the magazine insertion slot upward.

Before mounting

- The player can be mounted horizontally or vertically. Before mounting it, set the shock absorption springs to suit the mounting orientation as follows. (If the springs are not set properly, shock absorption will be impaired.)

Horizontal use

- The player is set for horizontal use. Check that the lock screws that hold the shock absorption springs in the correct position are in the holes for H (horizontal) use, as shown in Fig. 1.

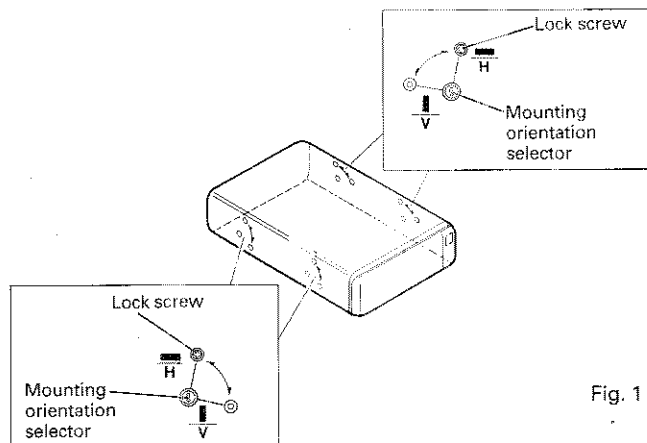


Fig. 1

Vertical use

- Be sure to change the position of the shock absorption springs for vertical use.
 - Remove the four lock screws that hold the shock absorption springs in the correct position.
 - Change the positions of all four springs by turning the mounting orientation selectors to V (vertical) with a small flat-bladed screwdriver, as shown in '1' of Fig. 2.
 - Replace the removed screws in the screw holes for V, as shown in '2' of Fig. 2.

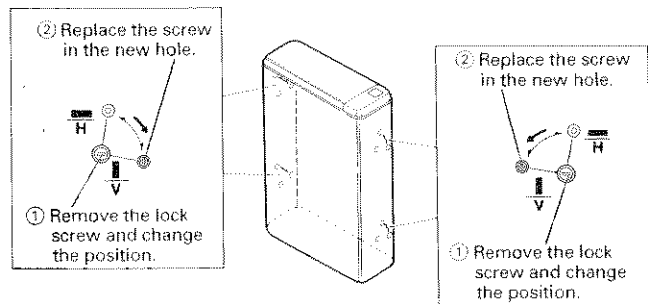


Fig. 2

Horizontal mounting

- Check the locations of the screws that hold the shock absorption springs in the correct position, as described in the section on horizontal use on the previous page.

Horizontal mounting example 1: Mounting the player on the floor of the trunk with the mounting base

1. Using the hex-screws (4 × 8 mm), fit the mounting brackets to the sides of the player so they face downward. (Fig. 1)

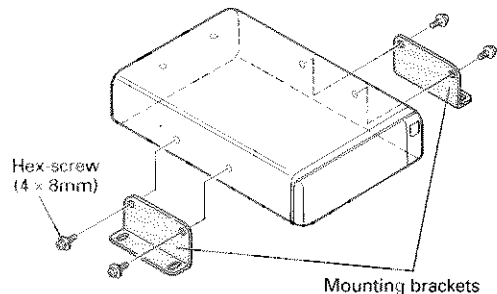


Fig. 1

2. Stick pads on the rear of the mounting base. (Fig. 2)

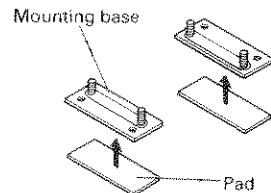


Fig. 2

3. Pass the screws on the mounting base through the holes in the brackets and temporarily fix the screws with the wing nuts. Turn up the carpet where the player is to be mounted and place the mounting base on the floor. (Fig. 3)

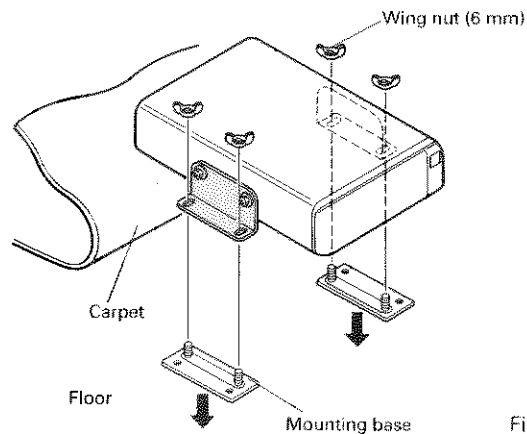


Fig. 3

4. Remove the wing nuts and remove the player from the mounting base. (Fig. 4)

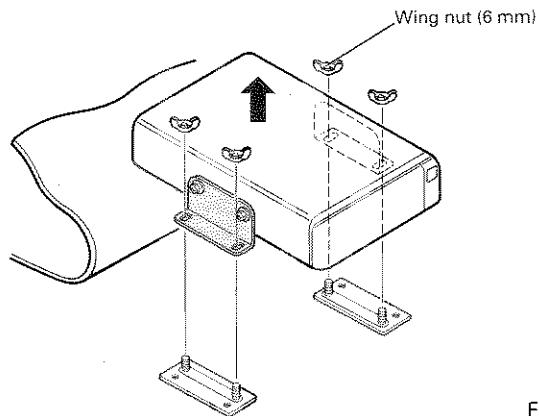


Fig. 4

5. Put the carpet back, cut it for the screws as shown and pass the screws through the holes. (Fig. 5)

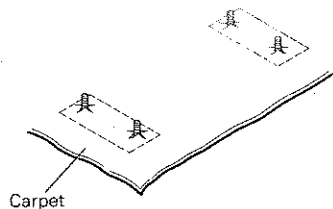


Fig. 5

6. Fit the player onto the mounting screws and secure the assembly with the wing nuts, tightening them firmly. (Fig. 6)

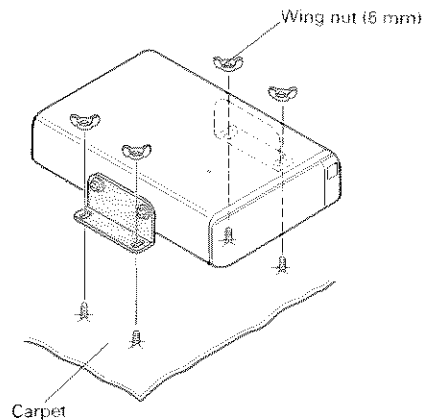


Fig. 6

Horizontal mounting example 2: Mounting the player on the mounting board with self-tapping screws

1. Using the hex-screws (4×8 mm), fit the mounting brackets to the sides of the player so they face downward.
2. Mount the player on the mounting board with the self-tapping screws (6×16 mm). (Fig. 7)

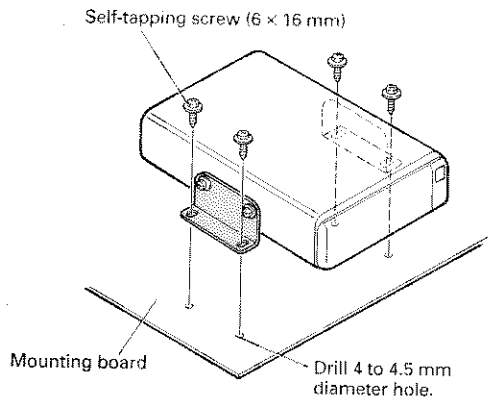


Fig. 7

Horizontal mounting example 3: Suspending the player from the parcel shelf with hex-screws

1. Using the hex-screws (4×8 mm), fit the mounting brackets to the sides of the player so they face upward. (Fig. 8)

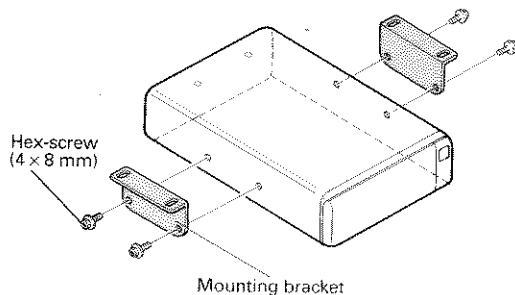


Fig. 8

2. Check the place of mounting and drill holes (6.5 to 7 mm diameter) through the parcel shelf.
3. Pass hex-screws (6×50 mm) through the holes from the passenger compartment side, fit them to the screw holes of the mounting bracket, and install with the wing nuts. (Fig. 9)

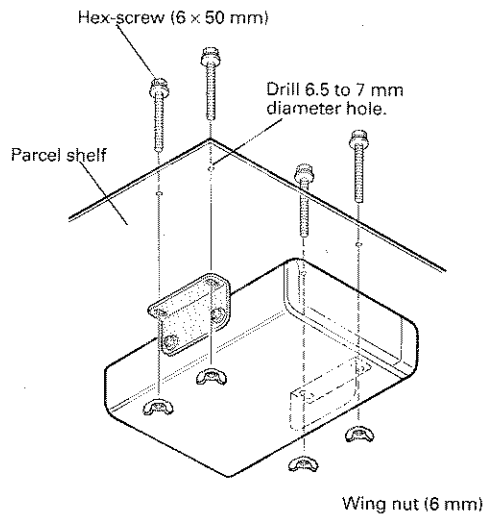


Fig. 9

- Ideally, when the player is being mounted under the parcel shelf, two persons should work together. One person should hold the player, and the other should tighten the wing nuts. If you do this job on your own, take great care not to drop or knock the player.

Vertical mounting

- Set the mounting orientation selectors to the V (vertical) positions, as described in the section on vertical use on page 9.

Vertical mounting example 1: Mounting the player on the floor of the trunk with the mounting base

1. Using the hex-screws (4 × 8 mm), fit the mounting brackets to the sides of the player so they face downward. (Fig. 1)

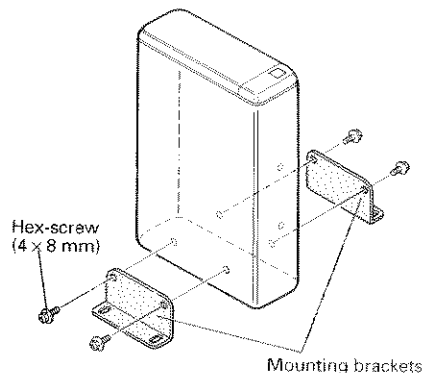


Fig. 1

2. Stick pads on the rear of the mounting base. (Fig. 2)

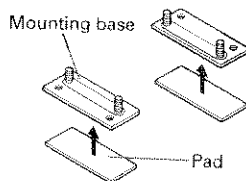


Fig. 2

3. Pass the screws on the mounting base through the holes in the brackets and temporarily fix the screws with the wing nuts. Turn up the carpet where the player is to be mounted and place the mounting base on the floor. (Fig. 3)

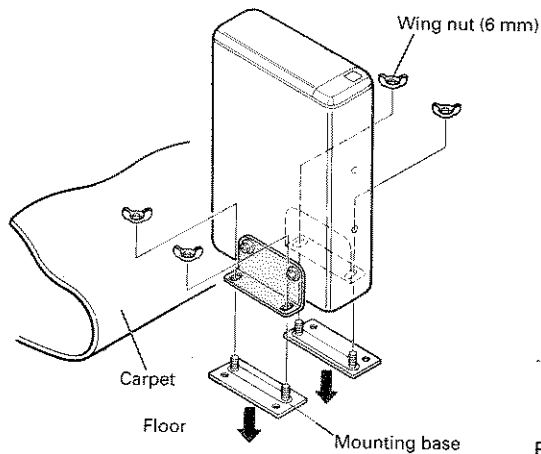


Fig. 3

4. Remove the wing nuts and remove the player from the mounting base. (Fig. 4)

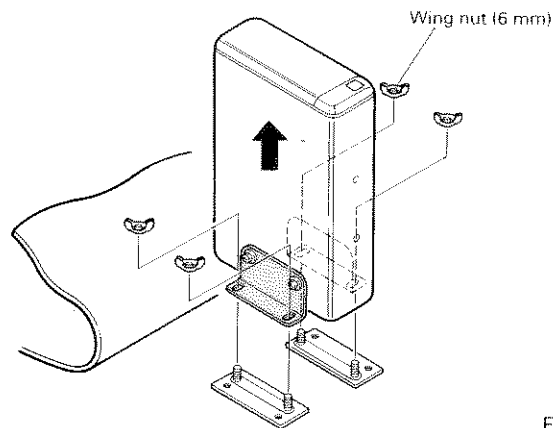


Fig. 4

5. Put the carpet back, cut it for the screws as shown and pass the screws through the holes. (Fig. 5)

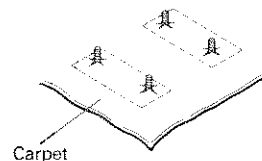


Fig. 5

6. Fit the player onto the mounting screws and secure the assembly with the wing nuts, tightening them firmly. (Fig. 6)

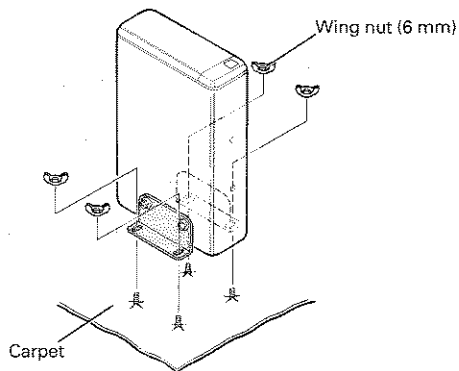


Fig. 6

7. To increase shock absorption, use the attached mounting stay when securing the player assembly to the vehicle.

- When installing the mounting stay to the trim board in a vehicle, either the installing with self-tapping screws (Fig. 7) or installing with hex-screws (Fig. 8) is used.

Installing with self-tapping screws

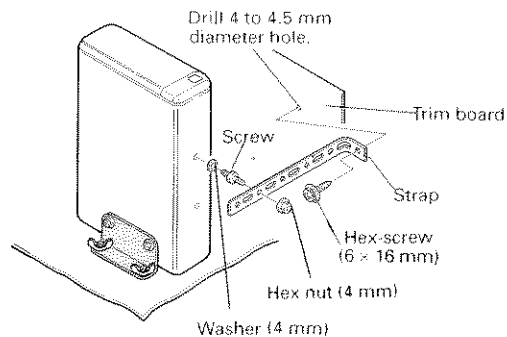


Fig. 7

Installing with hex-screws

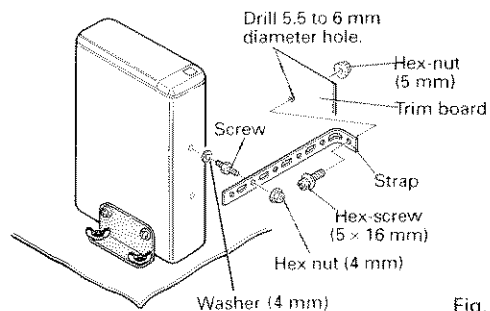


Fig. 8

Vertical mounting example 2: Mounting the player on the floor of the trunk with self-tapping screws

1. Using the hex-screws (4 × 8 mm), fit the mounting brackets to the sides of the player so they face downward.
2. Mount the player on the floor with the self-tapping screws (6 × 16 mm). (Fig. 9)
3. To increase shock absorption, use the attached mounting stay when securing the player assembly to the vehicle.

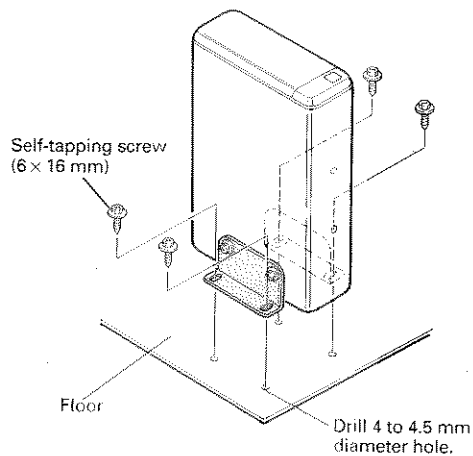


Fig. 9

Discs

- Only use compact discs (optical digital audio discs) bearing the mark shown below. (Fig. 1)
- Be sure never to touch the signal surface when handling discs. Pick up discs by grasping the outer edges or the edges of the hole and the outer edge. (Fig. 2) (Fig. 3)
- Do not affix paper or tape, and avoid scratching the side of the disc which contains the label (contents of disc). (Fig. 4)
- The disc revolves at high speed within the player unit, so defective (cracked or badly bent) discs should not be used. (Fig. 5) (Fig. 6)
- Dust and/or finger smudges will have no direct effect on the

signal recorded on the disc, but dirt can decrease the amount of light reflected from the recorded surface, thus affecting sound quality. If the disc should become soiled, gently wipe the surface with a soft lint-free cloth, wiping from the center of the disc to the edge. (Fig. 7)

- Do not use record sprays or antistatic agents. Such volatile chemicals as benzine and thinner can also damage the surface of the disc and should not be used. (Fig. 8)
- As with traditional audio records, compact discs are made of plastic. To avoid warping, keep the discs in their cases and do not store them in places exposed to direct sunlight. (Fig. 9)



Fig. 1

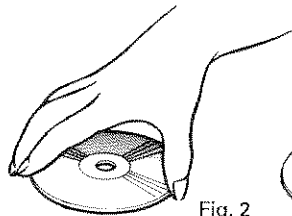


Fig. 2

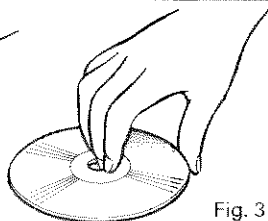


Fig. 3



Fig. 4



Fig. 5

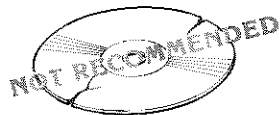


Fig. 6

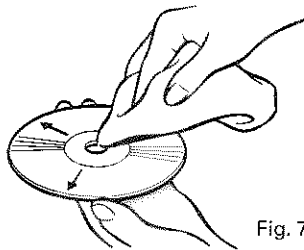


Fig. 7

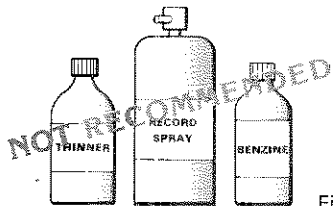


Fig. 8

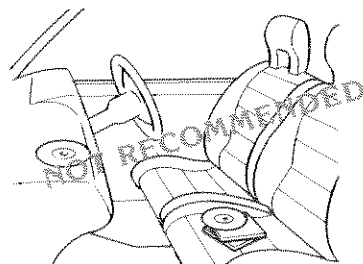


Fig. 9

Precautions

- Set air conditioning or heating for suitable temperature because there may be extreme changes in temperature during summer or winter.
- Replace fuses only with the types stipulated on the fuse holder.
- When driving on an uneven road, the player may not reproduce every sound properly.
- Do not add any oil to the rotating parts nor disassemble the set if it does not perform satisfactorily.

Condensation

- During winter the inside of the vehicle may be very cold. If the heater is turned on and the player is used soon after, the disc or optical parts (prism, lens, etc.) may become misted up, and the player will not operate correctly. If the disc is misted up, wipe it with a soft cloth. If the optical parts are misted up, wait for about an hour for them to warm up. They will return to their normal condition.

In case of trouble
When the unit does not operate properly, contact your dealer or the nearest authorized PIONEER Service Station.

Specifications

General

System	Compact disc audio system
Usable discs	Compact Disc
Signal format	Sampling frequency: 44, 1 kHz Number of quantization bits: 16; linear
Power source	14,4 V DC (10.8–15.6 V allowable)
Max. current consumption	0.9A
Weight	3.2 kg
Dimensions	200 (W) × 75 (H) × 295 (D) mm

Audio

Frequency characteristics	5–20,000 Hz (±1 dB)
Signal-to-noise ratio	97 dB (1 kHz) (IEC-A network)
Dynamic range	94 dB (1 kHz)
Output level	500 mV (1 kHz, 0 dB)
Number of channels	2 (stereo)

Note:

Specifications and the design are subject to possible modification without prior notice due to improvements.

PIONEER ELECTRONIC CORPORATION

4-1, Meguro 1 chome, Meguro-ku, TOKYO, 153, JAPAN

PIONEER ELECTRONICS (USA) INC.

P.O. Box 1760, Long Beach, California 90801, U.S.A.

TEL : (800) 421-1404

PIONEER ELECTRONIC (EUROPE) N.V.

Keetberglaan 1, 2740 Beveren, Belgium

TEL : 03/750.05.11

PIONEER ELECTRONICS AUSTRALIA PTY. LTD.

178-184 Boundary Road, Braeside, Victoria 3195, Australia

TEL : (03) 580-9911

PIONEER ELECTRONICS OF CANADA, INC.

505 Cochrane Drive, Markham, Ontario L3R 6B8, Canada