

MULTI-PLAY
COMPACT DISC PLAYER

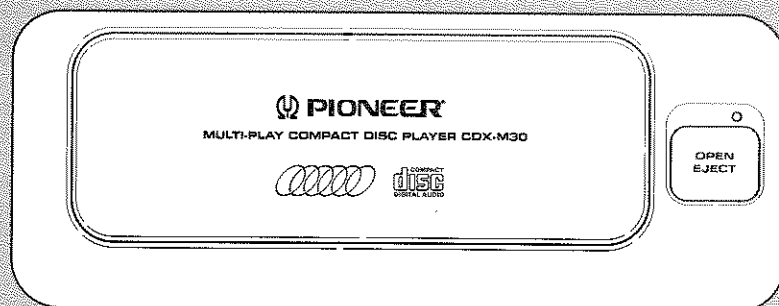
OWNER'S MANUAL

Thank you for purchasing this PIONEER product. Before attempting operation, be sure to read this manual.

Nous vous remercions d'avoir acheté cet appareil PIONEER. Avant de l'utiliser, prenez soin de lire ce manuel.

Muchas gracias por la adquisición de este producto PIONEER. Antes de tratar de operarlo, lea atentamente este manual.

شكراً لك على شرائك جهاز بايونير هذا. قبل محاولة تشغيله تأكد من قراءة هذا الدليل



 **PIONEER**[®]
The Art of Entertainment

CDX-M30

Features

- An 8-times-oversampling digital filter and 1-bit digital-to-analog converter allow CD's to be played with exceptional fidelity.
- Because this compact disc player uses disc magazines, 6 discs can be played one after the other for many hours of the high-quality sound only compact discs can give.
- The magazines are compatible with the home multi-play compact disc players, so while driving you can enjoy listening to the disc libraries you have made at home.
- Automatic Magazine Program Selection automatically finds the program for the magazine in use from those in the multi-CD controller memory.
- This player can be mounted two ways; horizontally and vertically. You can choose either according to the mounting place.

CAUTION: USE OF CONTROL OR ADJUSTMENT OR PERFORMANCE OF PROCEDURES OTHER THAN THOSE SPECIFIED HEREIN MAY RESULT IN HAZARDOUS RADIATION EXPOSURE.

CAUTION: THE USE OF OPTICAL INSTRUMENTS WITH THIS PRODUCT WILL INCREASE EYE HAZARD.

Transportation Screws

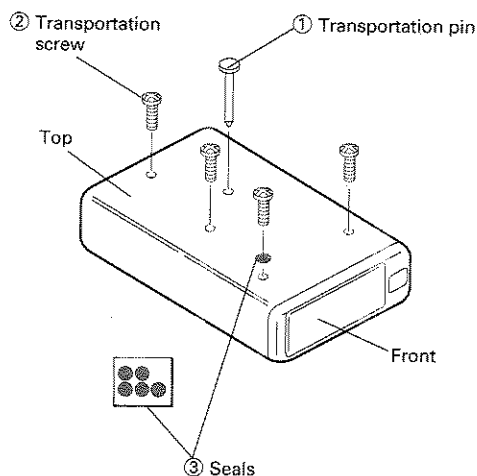
Removal of Screws

Be sure to remove transportation screws (red) ① and ② in this order and cover the screw holes with seals ③ before mounting the set. Peel off adhesive tape to remove the transportation pin ①. **The removed screws (red) and the pin will be required if you transport the player again later. Keep them in the bag for keeping transportation screws.**

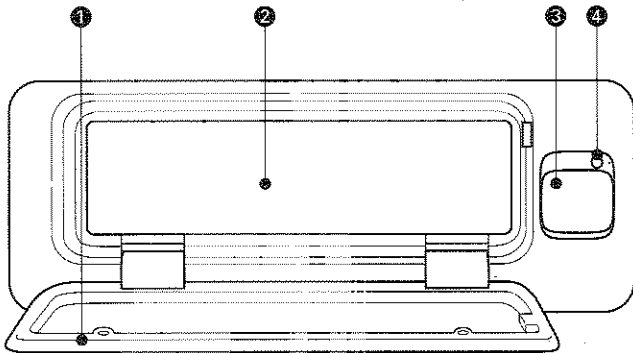
Reinstallation of Screws


Be sure to reinstall the transportation screws (red) in the procedure described below before re-transporting the set. Incorrect order of reinstallation or use of different screws may cause the set to fail.

1. Let the set operate the beginning of a disc and stop operation within 10 seconds thereafter before removing the set.
 2. Remove the magazine and then the set.
 3. Reinstall the transportation screws in the reverse order (② and ①) of removal. Fasten the transportation pin ① with adhesive tape.
- Before screwing in the transportation screws, position the player vertically (as in the vertical mounting example in the section "Installation").
 - Contact your dealer or the nearest authorized PIONEER Service Station, if pin ① cannot be reinstalled or step 1 or 2 above cannot be executed.



General Guide



The Magazine Type Multi-Play CD players with  mark and the Magazines with the same mark are compatible for 5-inch (12 cm) discs.

Precautions when using 8-cm (3-inch) CDs

- The magazine supplied with this CD player is for 12-cm (5-inch) CDs only. Do not put 8-cm (3-inch) CDs in the magazine, even with adapters, as they may cause a failure.
- To play 8-cm CDs, use the optional JD-M308 magazine, which holds six 8-cm CDs. The JD-M108 magazine for six 8-cm CDs cannot be used with this player.

① Door

Be sure never to leave the door open.

② Compact disc magazine slot

③ Door open/eject button

Press this button to open the door ① and eject the magazine.

④ Clear button

If the power does not switch on or if the compact disc player does not operate when the button on the multi-CD controller is pressed, or if the multi-CD controller display is incorrect, press this button on the player with the tip of a pencil to restore normal operation. **Always press the clear button on the multi-CD controller, too, after pressing this button.**

Note on last position memory

The owner's manuals for the DEX-M300 and KEX-M700 controllers say that the last track memory restarts play from the beginning of the track being played when the disc was stopped. But when you use one of these controllers with this player, the last position memory restarts play around the position at which the disc was stopped.

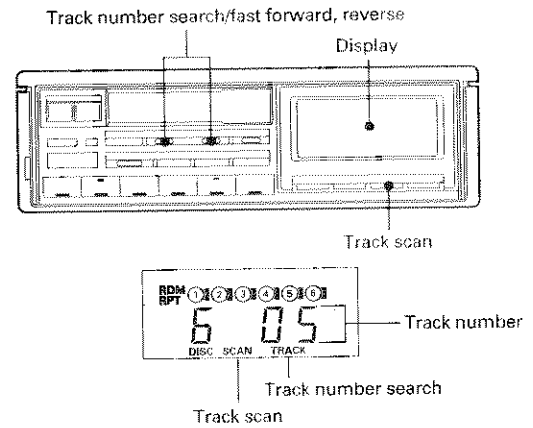
Note on random play

When using the random play feature of this player, you can get random play using up to six discs in the magazine. The owner's manuals for the DEX-M300 and KEX-M700 controllers say that random play works with only one disc. But when you use one of these controllers with this player, all six discs are available.

Highlight scan

KEH-M5000QR	KEX-M800	KEX-M700	DEX-M300
-------------	----------	----------	----------

If this player is combined with one of the models of mentioned above car stereo, it will offer highlight scan instead of track scan. In this case, ignore the section on track scan in the owner's manuals for the player, and read the following information on highlight scan instead. (This information refers to the KEH-M5000QR player, but applied to other players, too.)



Using highlight scan

The highlight scan function plays one track after another for about ten seconds each, beginning at a particular start time. Use it when searching for a piece you like. If you don't set the start time yourself, ten-second playback of each track starts one minute into each track.

1. Press the track scan button. (SCAN appears on the display).
 2. Tracks will be played one after another for about ten seconds, starting one minute into each track.
 3. When you hear a track you like, press the track scan button again; the player will cancel highlight scan and continue playing the track.
- When highlight scan arrives back at the track at which it began, it is automatically cancelled and normal play resumes.

Changing the start time

Example: Setting the start time to 30 seconds into each track

1. Press the + and - sides of the track number search button at the same time. (This causes TRACK to disappear and the start time to appear on the display.)
- On the KEX-M700 and DEX-M300 models, press the track scan/fast forward and reverse button (manual) to ready the player for fast forward and reverse.

2. Using the + and - sides of the track number search button, set the time to 30 seconds.



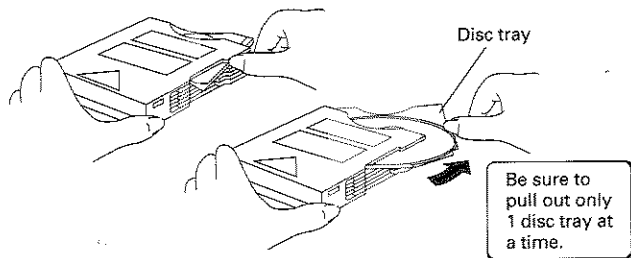
3. Hold the track scan button down for more than two seconds. (SCAN appears on the display.) The next and subsequent tracks will be played with highlight scan, starting 30 seconds into each track.
- The start time can be set in ten-second steps. A time less than ten seconds is taken as zero.
 - If the total time of a track is less than the start time, the track is played from the beginning for about ten seconds.
 - If a track lasts for less than ten seconds after highlight scan starts, the track is just played to the end, resulting in a shorter playing time.
 - It is impossible to set a start time greater than the playing time for a particular track. If you want to start a long way into each track, make sure that you use a disc with long track.

Using the Compact Disc Magazine

Inserting discs

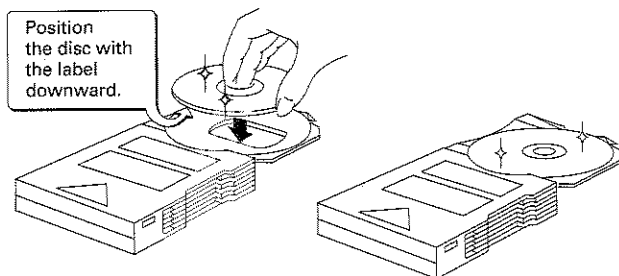
Insert your selected discs into the supplied magazine. Up to 6 discs may be inserted into the magazine. The discs are numbered from 1 (top tray) to 6 (bottom tray).

1. Pull out 1 disc tray from the magazine.

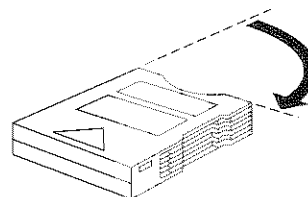


2. Put 1 disc on the disc tray, label downward.

- Do not touch the recorded side of a disc when inserting or removing it.



3. Push the disc tray back in.



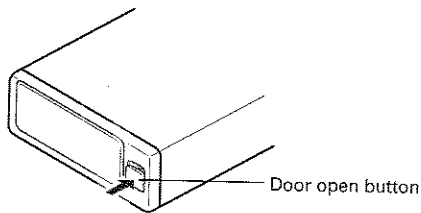
- This compact disc player recognizes which magazine is in use from the top disc. Always keep a disc in the top disc tray.
- If you load a disc with the label generally printed in black facing up, not only will the player not be able to recognize whether the disc is set or not, but also, if you have a multi CD controller, the controller will not display an error message to let you know about it. So make sure all the discs in each magazine have their label sides facing down.

Precautions when handling magazines

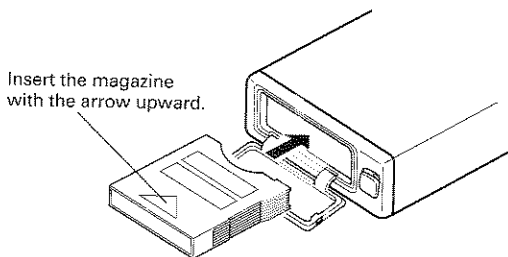
- Keep the magazine in its special case after use. Do not put the magazine in a place where it will be exposed to high temperatures or direct sunlight.
- Do not disassemble the magazine.
- Take care not to drop the magazine or knock it against anything. Do not force the pulled-out tray in any way.
- The use of benzine, thinner, insecticide, or other volatile chemicals may damage the magazine surface.

Inserting the magazine

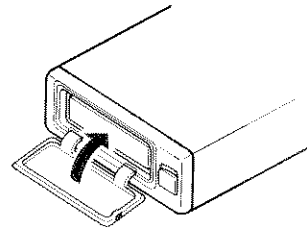
1. Press the door open button.



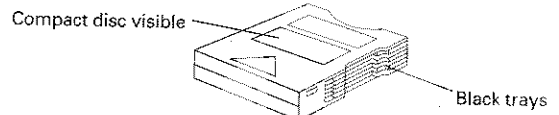
2. Insert the magazine.
- Make sure that the magazine is loaded with discs before inserting it into the player.
 - Be careful to insert the magazine into player with the mark facing upward.
 - If the label on the magazine is coming off or wrinkled up, it may damage the eject mechanism, and in some cases, the magazine may not be ejected. Therefore, remove a damaged label completely before use.



3. Close the door.
- Never leave the door open while playing discs. The entry of dirt, dust, or any other foreign matter into the player may cause it to fail.

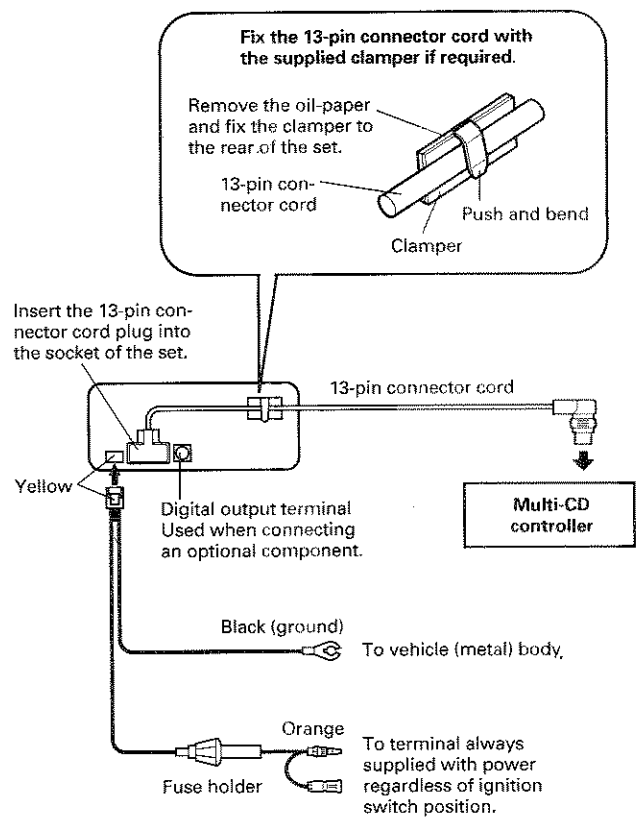


The six-compact-disc magazine supplied with this player can also be used with the home multi-play compact disc player. Spare magazines are available separately. Use them to create your own disc library by putting the recordings of one particular musician into one magazine or by classifying magazines by genre. Note that the six-compact-disc magazine (JD-M6) shown below, the magazine for six 8-cm (3-inch) compact discs (JD-M108), and the single-compact-disc magazine supplied with the home multi-play compact disc player cannot be used with this player.



Connecting the Units

- Before mounting, remove the transportation screws (see page 3) and connect the units temporarily. Check that the units are connected correctly by operating the multi-CD controller.
- Be sure to properly connect the color-coded leads. Failure to do so can cause malfunctions.
- When connecting the cords, be sure to fix them firmly with clamps or tape. Be sure to protect the cords from damage by taping them at places where they will contact burr.
- After connection is complete, press the clear buttons on the player and the multi-CD controller with the tip of a pencil.
- Wire all connecting cords so that they stay well clear of high-temperature areas such as the heater outlet.
- Do not drill a hole into the engine compartment to connect the orange power cable directly to the battery.
- Be sure to connect the ground lead (black) to the vehicle body or some other metal part that is properly grounded to the chassis. If the ground lead is not properly connected, noise may occur or the player or multi-CD controller may not operate correctly.



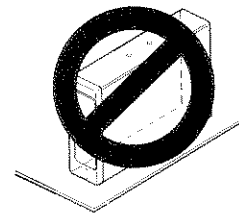
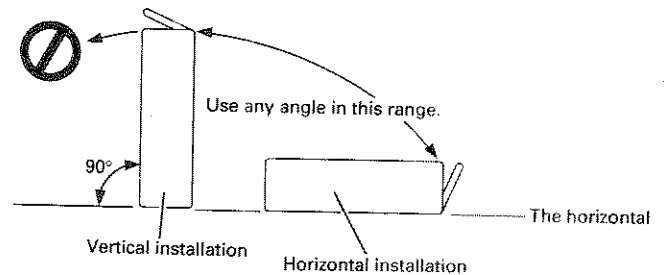
Installation

- Be sure to use the parts supplied and mount the unit securely. If parts other than those supplied (specified) are used, they may loosen or damage internal parts.
- Be sure to consult your dealer before making any holes in the car.
- Before drilling a hole into the trunk, confirm that there is nothing behind the hole. Never drill a hole in the fuel tank or any other important part.
- Make sure to take off the (-) side connector on the car battery to prevent short circuits while you are mounting the unit.

Location

- Be sure to mount the unit in places where the driver is not bothered and where there is no danger of passengers being injured in case of sudden stops.
- Do not mount the player near the heater outlet, where it would be affected by heat, or near the doors, where rainwater might splash onto it.
- Do not mount the player anywhere that gets the sun and so becomes hot, like on the dashboard or the rear shelf.
- When mounting the player, make sure none of the leads are trapped between the player and the surrounding metalwork or fittings.
- Do not mount the player on the spare tire board or any other unstable place.
- Mount the player in a place where it does not prevent the spare tire, jack, or tools from being easily removed.

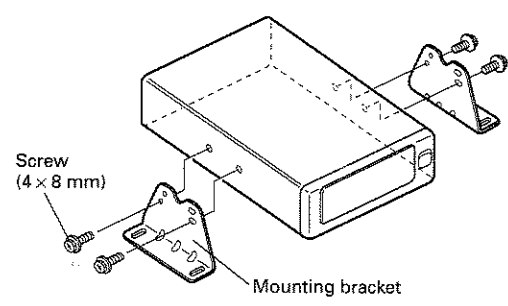
- Install this unit at the angle shown below. In addition, choose a place where the CD magazine can be loaded and unloaded easily. You do not need to change the position of the anti-vibration spring in the player when you install it.



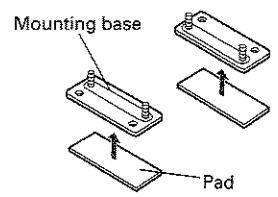
- When the player is mounted vertically, face the magazine insertion slot upward.

Horizontal mounting example 1: Mounting the player on the floor of the trunk with the mounting base

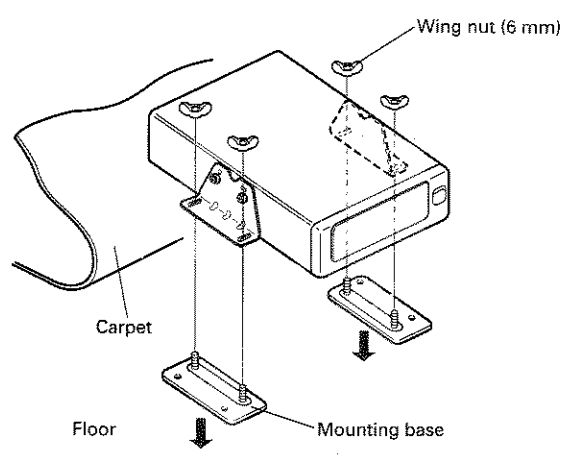
1. Using the screws (4 × 8 mm), fit the mounting brackets to the sides of the player so they face downward.



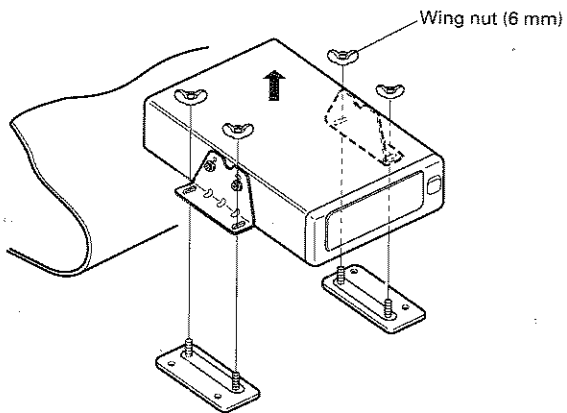
2. Stick pads on the rear of the mounting base.



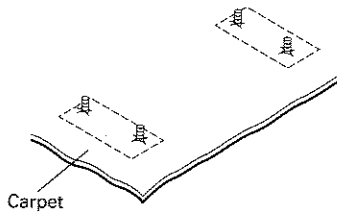
3. Pass the screws on the mounting base through the holes in the brackets and temporarily fix the screws with the wing nuts. Turn up the carpet where the player is to be mounted and place the mounting base on the floor.



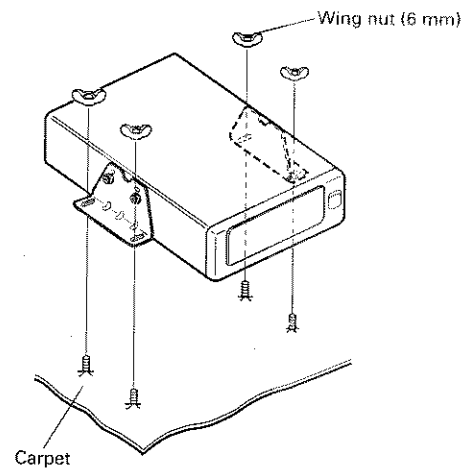
4. Remove the wing nuts and remove the player from the mounting base.



5. Put the carpet back, cut it for the screws as shown and pass the screws through the holes.

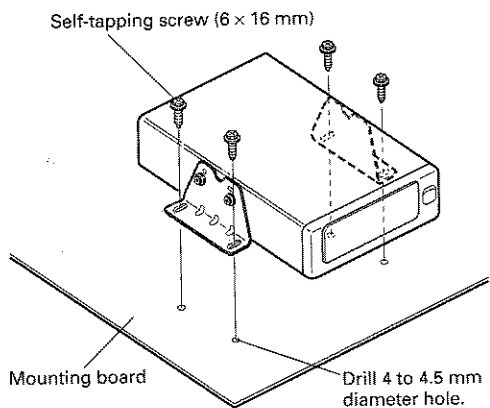


6. Fit the player onto the mounting screws and secure the assembly with the wing nuts, tightening them firmly.



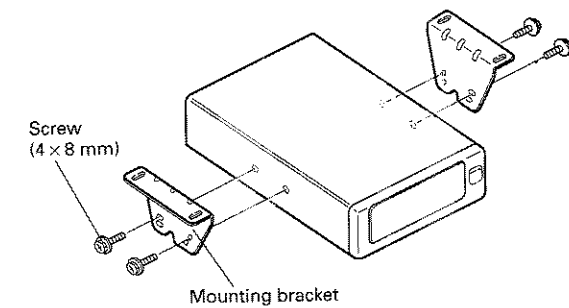
Horizontal mounting example 2: Mounting the player on the mounting board with self-tapping screws

1. Using the screws (4×8 mm), fit the mounting brackets to the sides of the player so they face downward.
2. Mount the player on the mounting board with the self-tapping screws (6×16 mm).

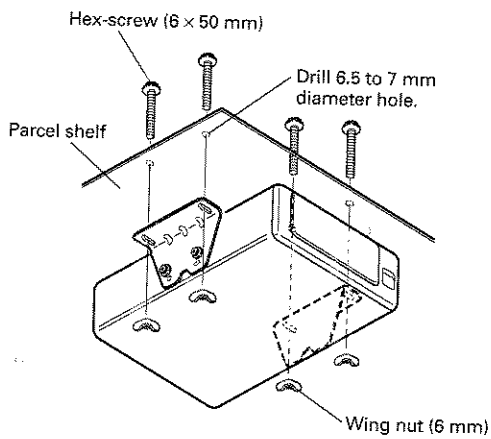


Horizontal mounting example 3: Suspending the player from the parcel shelf with hex-screws

1. Using the screws (4×8 mm), fit the mounting brackets to the sides of the player so they face upward.



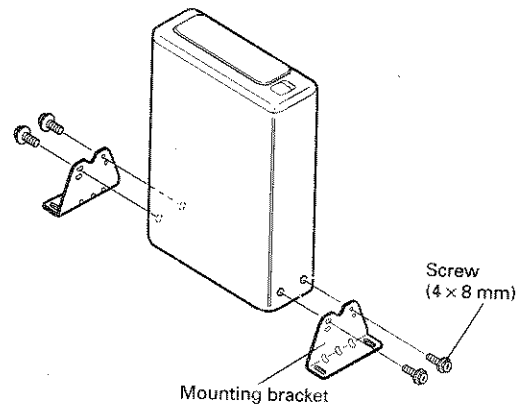
2. Check the place of mounting and drill holes (6.5 to 7 mm diameter) through the parcel shelf.
3. Pass hex-screws (6×50 mm) through the holes from the passenger compartment side, fit them to the screw holes of the mounting bracket, and install with the wing nuts.



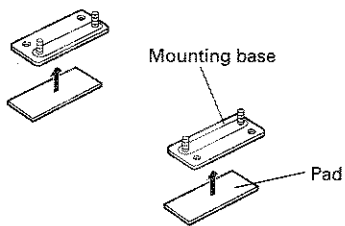
- Ideally, when the player is being mounted under the parcel shelf, two persons should work together. One person should hold the player, and the other should tighten the wing nuts. If you do this job on your own, take great care not to drop or knock the player.

Vertical mounting example 1: Mounting the player on the floor of the trunk with the mounting base

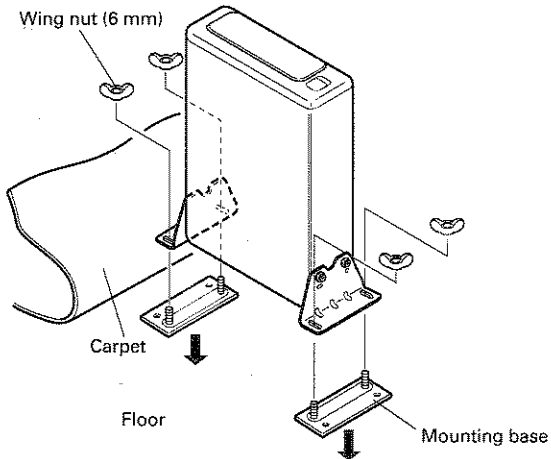
1. Using the screws (4 × 8 mm), fit the mounting brackets to the sides of the player so they face downward.



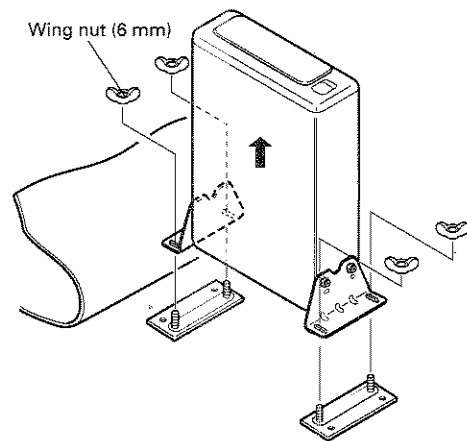
2. Stick pads on the rear of the mounting base.



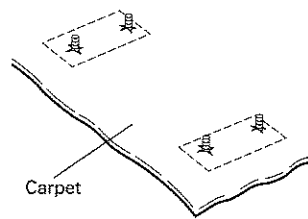
3. Pass the screws on the mounting base through the holes in the brackets and temporarily fix the screws with the wing nuts. Turn up the carpet where the player is to be mounted and place the mounting base on the floor.



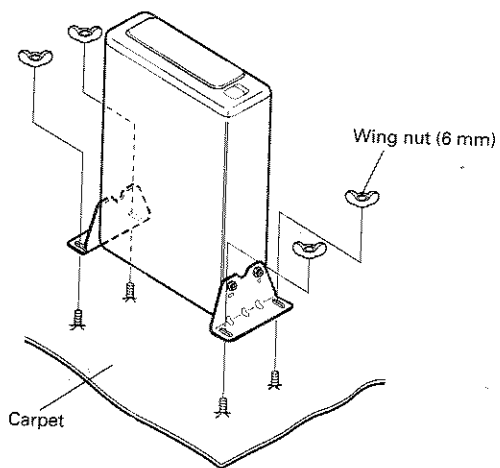
4. Remove the wing nuts and remove the player from the mounting base.



5. Put the carpet back, cut it for the screws as shown and pass the screws through the holes.

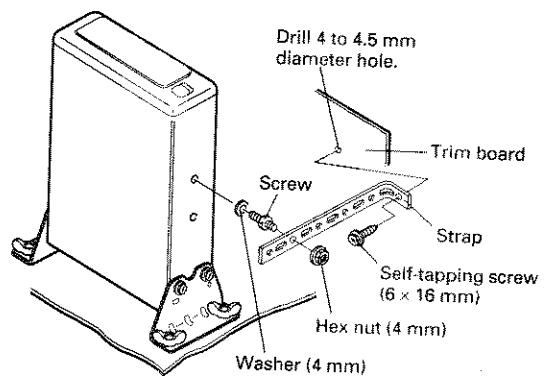


6. Fit the player onto the mounting screws and secure the assembly with the wing nuts, tightening them firmly.

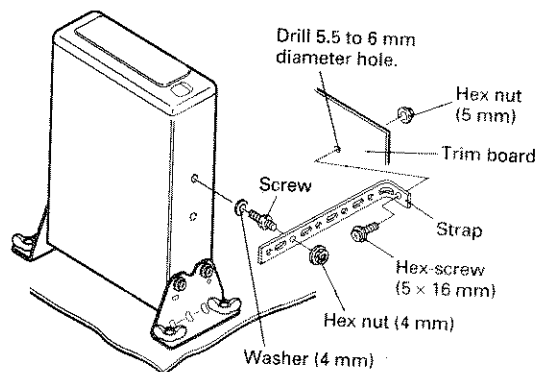


7. To increase shock absorption, use the attached mounting stay when securing the player assembly to the vehicle.
- When installing the mounting stay to the trim board in a vehicle, either the installing with self-tapping screws or installing with hex-screws is used.

Installing with self-tapping screws

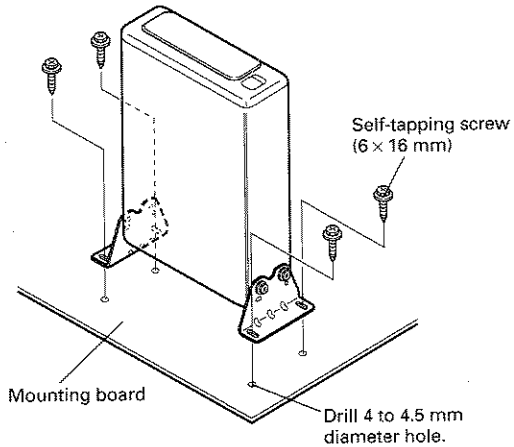


Installing with hex-screws



**Vertical mounting example 2:
Mounting the player on the mounting board
with self-tapping screws**

1. Using the screws (4 × 8 mm), fit the mounting brackets to the sides of the player so they face downward.
2. Mount the player on the mounting board with the self-tapping screws (6 × 16 mm).



3. To increase shock absorption, use the attached mounting stay when securing the player assembly to the vehicle.

Discs

- Only use compact discs (optical digital audio discs) bearing the mark shown below. (Fig. 1)
- Be sure never to touch the signal surface when handling discs. Pick up discs by grasping the outer edges or the edges of the hole and the outer edge. (Fig. 2) (Fig. 3)
- Do not affix paper or tape, and avoid scratching the side of the disc which contains the label (contents of disc). (Fig. 4)
- The disc revolves at high speed within the player unit, so defective (cracked or badly bent) discs should not be used. (Fig. 5) (Fig. 6)
- Dust and/or finger smudges will have no direct effect on the

signal recorded on the disc, but dirt can decrease the amount of light reflected from the recorded surface, thus affecting sound quality. If the disc should become soiled, gently wipe the surface with a soft lint-free cloth, wiping from the center of the disc to the edge. (Fig. 7)

- Do not use record sprays or antistatic agents. Such volatile chemicals as benzine and thinner can also damage the surface of the disc and should not be used. (Fig. 8)
- As with traditional audio records, compact discs are made of plastic. To avoid warping, keep the discs in their cases and do not store them in places exposed to direct sunlight. (Fig. 9)



Fig. 1

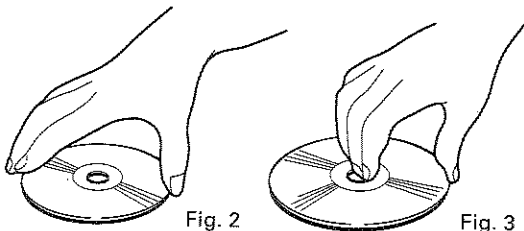


Fig. 2

Fig. 3

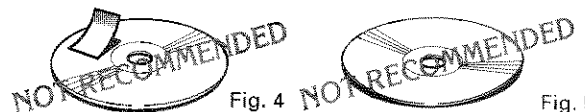


Fig. 4

Fig. 5

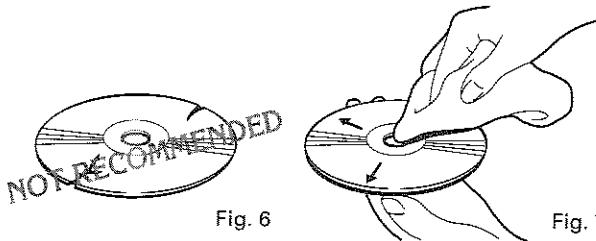


Fig. 6

Fig. 7

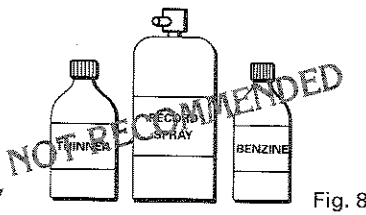


Fig. 8

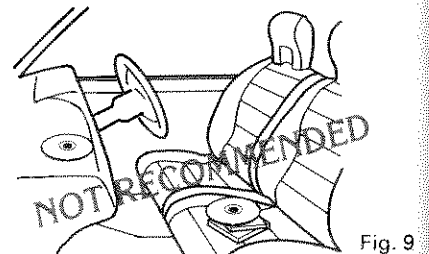


Fig. 9

Error Mode

If an error occurs—for example, if the CD player will not work or if it stops while playing—“ERROR” followed by an error number appears on the CD controller display. The error number indicates the cause of the error; check the items listed below. If you cannot correct the problem after checking the cause of the error, contact your dealer or nearest Pioneer service station.

- Some multi-CD controllers display only “ERROR”, without the error number; in this case, check items 11, 14, and 30 below.

Multi CD controller display example

E-11
Err-11
ERR-11
ERROR-11

Error No.	Cause	Treatment
11, 12	Dirt or a scratch on the disc stops the laser beam from being able to focus.	Wipe off the dirt. Exchange the disc if it has been scratched.
	The disc has been inserted upside down.	Confirm that the disc has been inserted right side up.
14	The disc has been inserted upside down.	Confirm that the disc has been inserted right side up.
	An unrecorded compact disc (CD-R), which can be recorded on once is being used.	When you use a CD-R, load one that has been recorded on.
30	Dirt or a scratch on the disc hinders the track number search function.	Wipe the dirt off the disc. Exchange the disc if it is scratched.
80	There is no disc in the magazine.	Load a disc into the magazine.
A0, 10, 12, 50, 60, 70	Electrical or mechanical system fault.	See Note (*).

* Turn the car ignition switch off and on again, or press the source switch on the multi-CD controller to set CD playback again. If the error indication does not disappear, contact your nearest Pioneer service center or station.

Precautions

- Set air conditioning or heating for suitable temperature because there may be extreme changes in temperature during summer or winter.
- Replace fuses only with the types stipulated on the fuse holder.
- When driving on an uneven road, the player may not reproduce every sound properly.
- Do not add any oil to the rotating parts nor disassemble the set if it does not perform satisfactorily.

Condensation

- During winter the inside of the vehicle may be very cold. If the heater is turned on and the player is used soon after, the disc or optical parts (prism, lens, etc.) may become misted up, and the player will not operate correctly. If the disc is misted up, wipe it with a soft cloth. If the optical parts are misted up, wait for about an hour for them to warm up. They will return to their normal condition.

In case of trouble
When the unit does not operate properly, contact your dealer
or the nearest authorized PIONEER Service Station.

Specifications

General

System.....	Compact disc audio system
Usable discs.....	Compact Disc
Signal format.....	Sampling frequency: 44.1 kHz Number of quantization bits: 16; linear
Power source.....	14.4 V DC (10.8 – 15.6 V allowable)
Max. current consumption.....	0.9 A
Weight.....	3.0 kg
Dimensions.....	200 (W) × 75 (H) × 295 (D) mm

Audio

Frequency characteristics.....	5–20,000 Hz (±1 dB)
Signal-to-noise ratio.....	97 dB (1 kHz) (IEC-A Network)
Dynamic range.....	94 dB (1 kHz)
Output level.....	500 mV (1 kHz, 0 dB)
Number of channels.....	2 (stereo)

Note:

Specifications and the design are subject to possible modification without prior notice due to improvements.

PIONEER ELECTRONIC CORPORATION

4-1, Meguro 1 chome, Meguro-ku, TOKYO, 153, JAPAN

PIONEER ELECTRONICS (USA) INC.

P.O. Box 1760, Long Beach, California 90801, U.S.A.

TEL: (800) 421-1404

PIONEER ELECTRONIC (EUROPE) N.V.

Haven 1087, Keetberglaan 1, 9120 Melsele, Belgium

TEL: 03-750-0511

PIONEER ELECTRONICS AUSTRALIA PTY. LTD.

178-184 Boundary Road, Braeside, Victoria 3195, Australia

TEL: (03) 580-9911

PIONEER ELECTRONICS OF CANADA, INC.

300 Allstate Parkway Markham, Ontario L3R 0P2, Canada

TEL: 416-479-4411

Published by Pioneer Electronic Corporation.
Copyright 1992 by Pioneer Electronic Corporation.
All rights reserved.

<93H05FOM19>

Printed in Japan
<CRD1557-A> ES