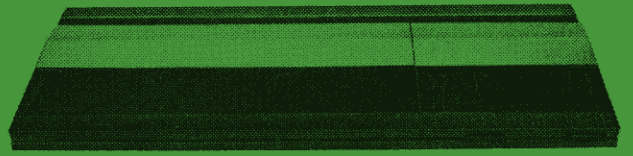


Bang & Olufsen



Beocenter 2200

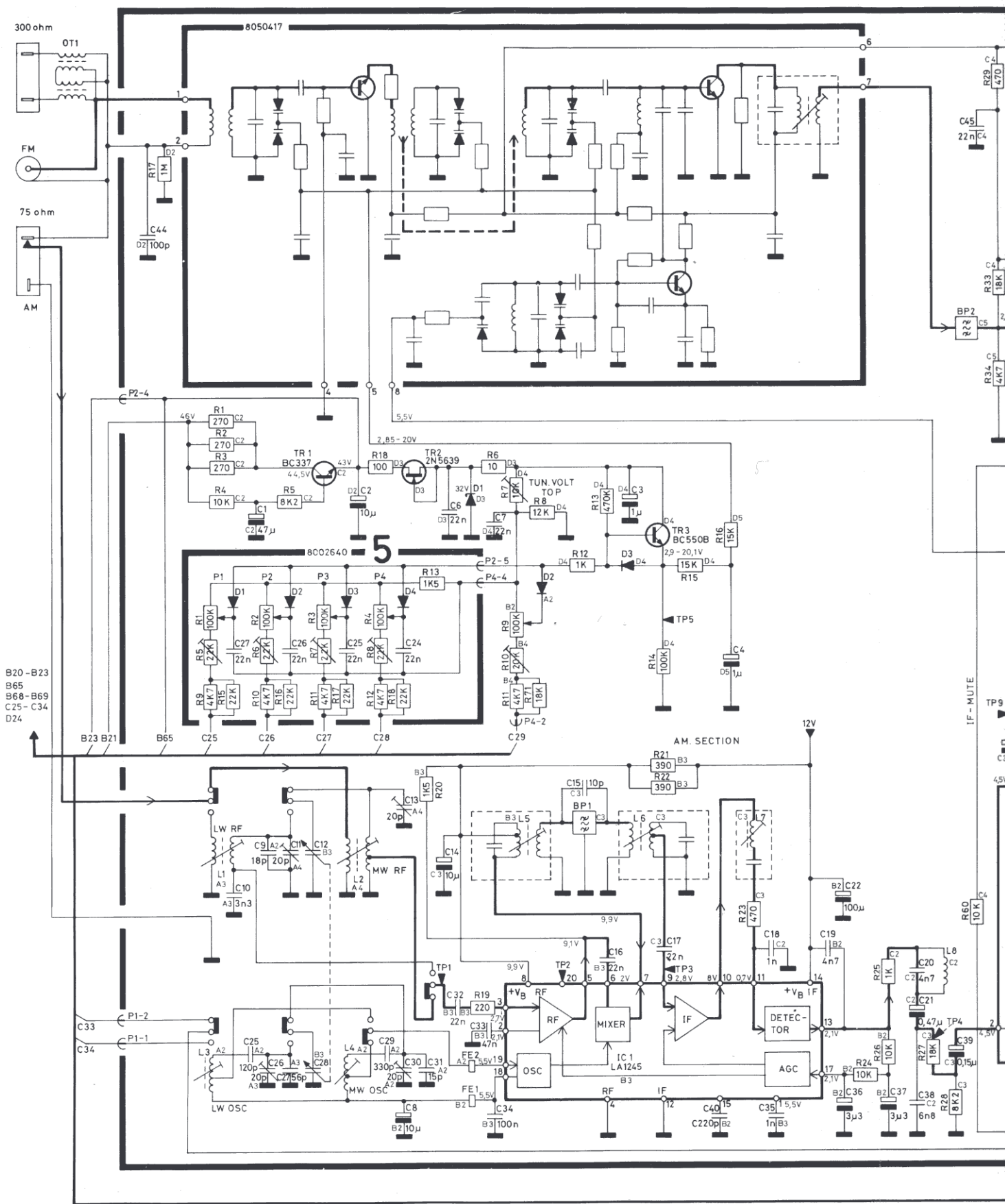
Type 2421/22/25

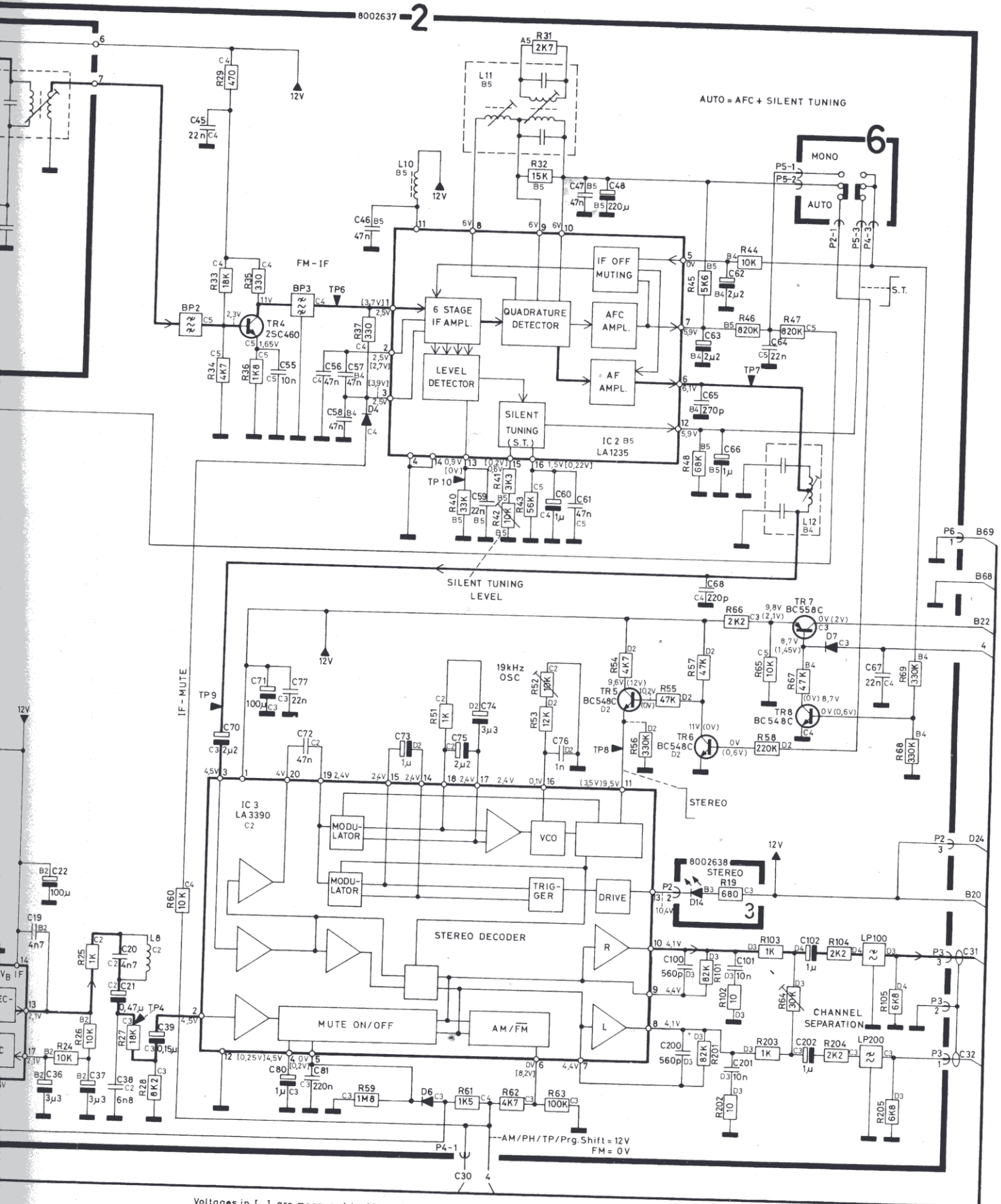
SERVICEANLEITUNG
MANUEL d'ENTRETIEN



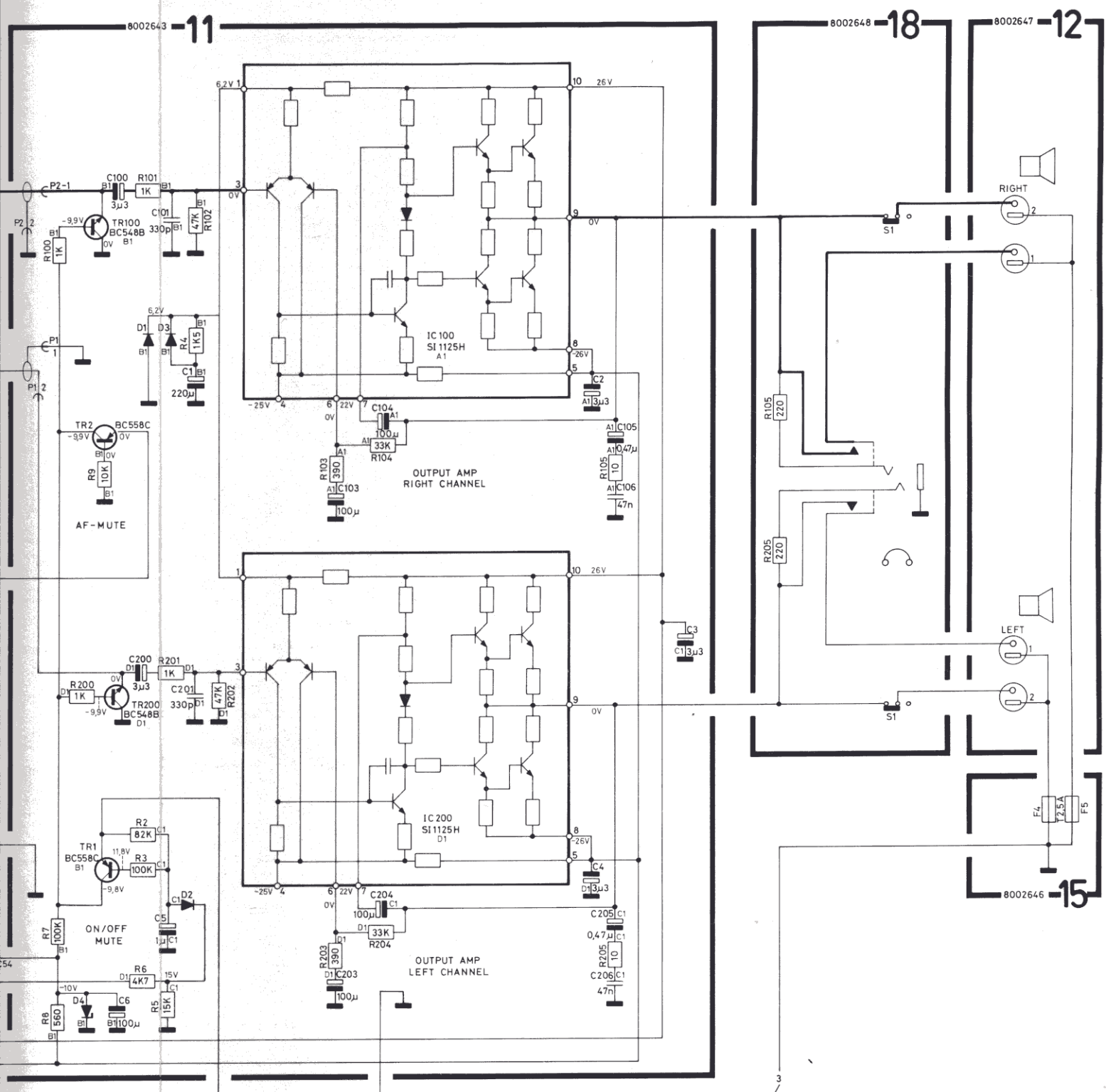
1-6

DIAGRAM A

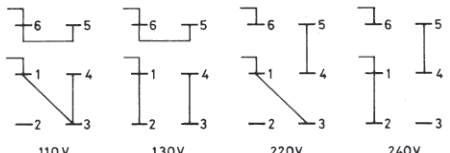




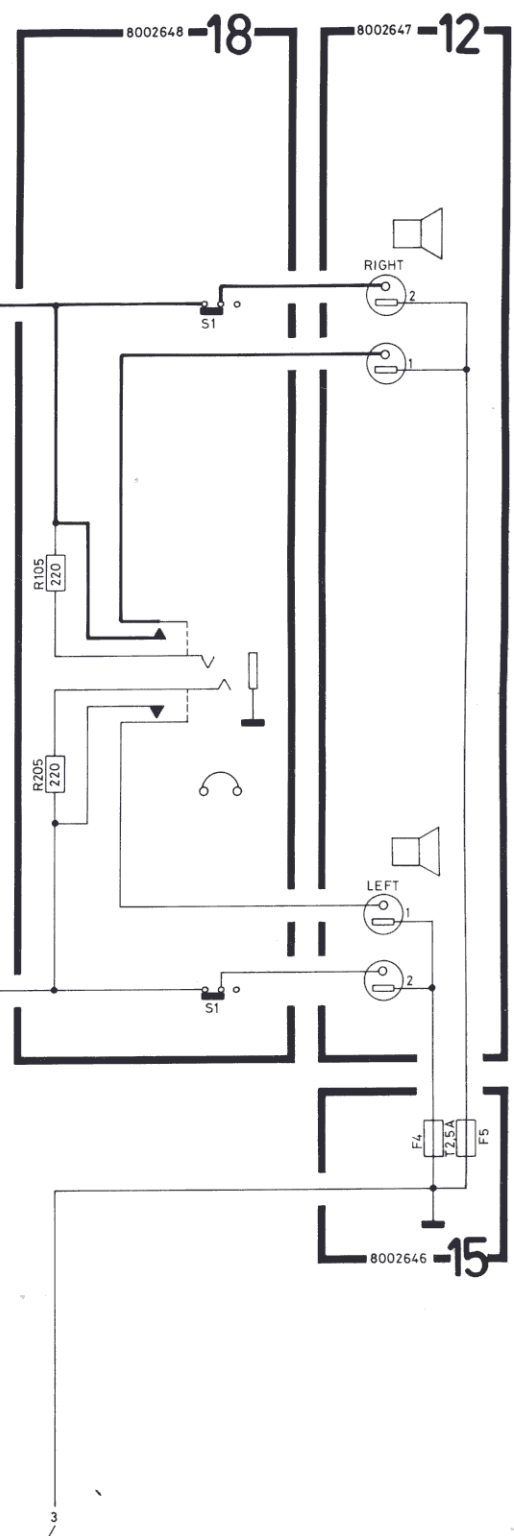
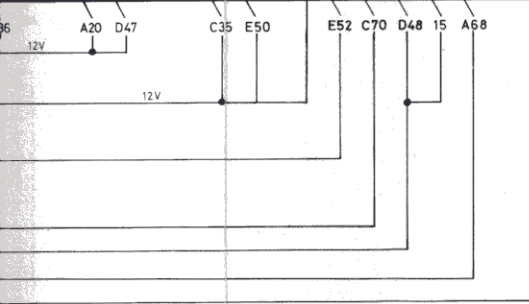
Voltages in [] are measured in AM mode
 Voltages in () are measured in FM AUTO mode

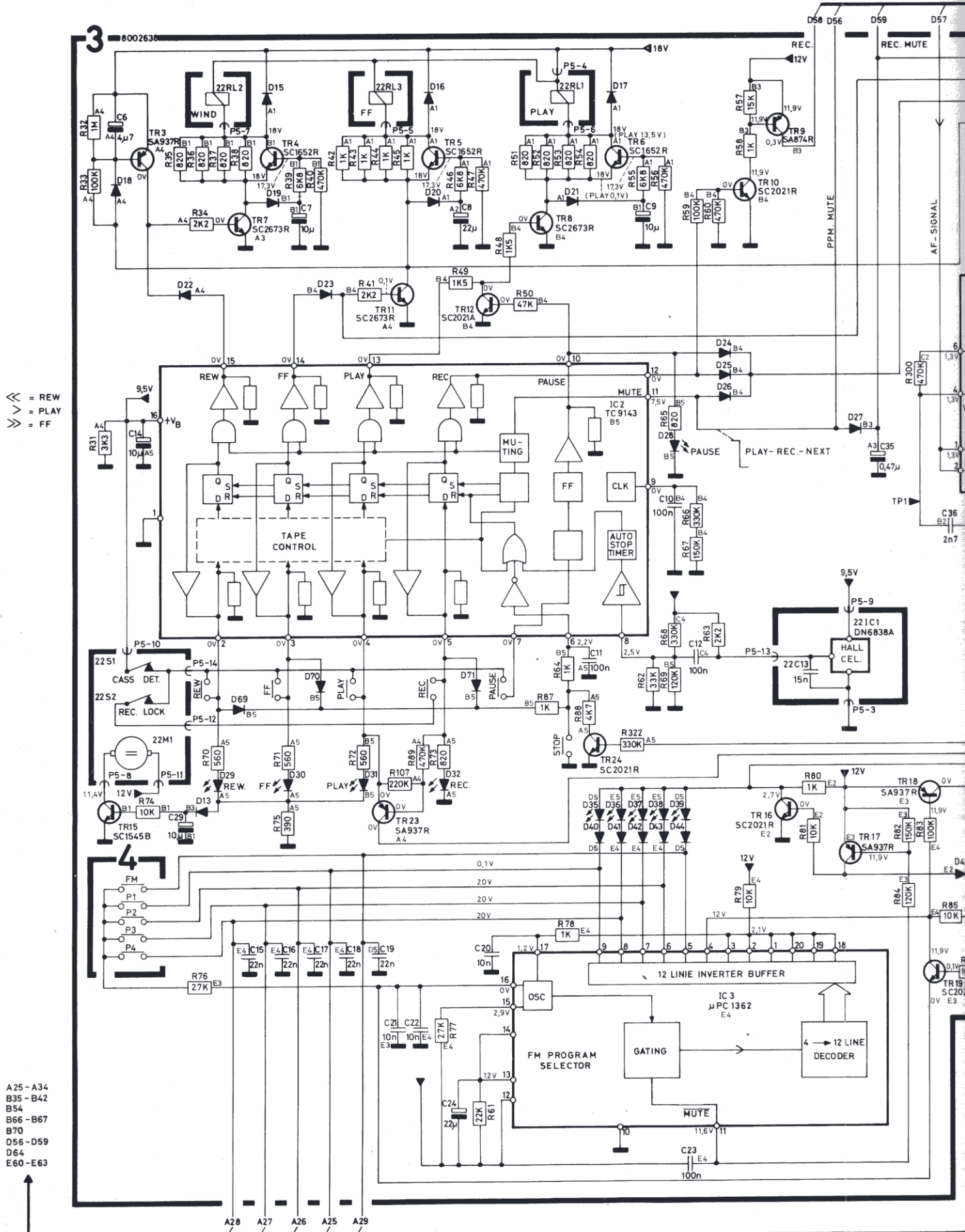


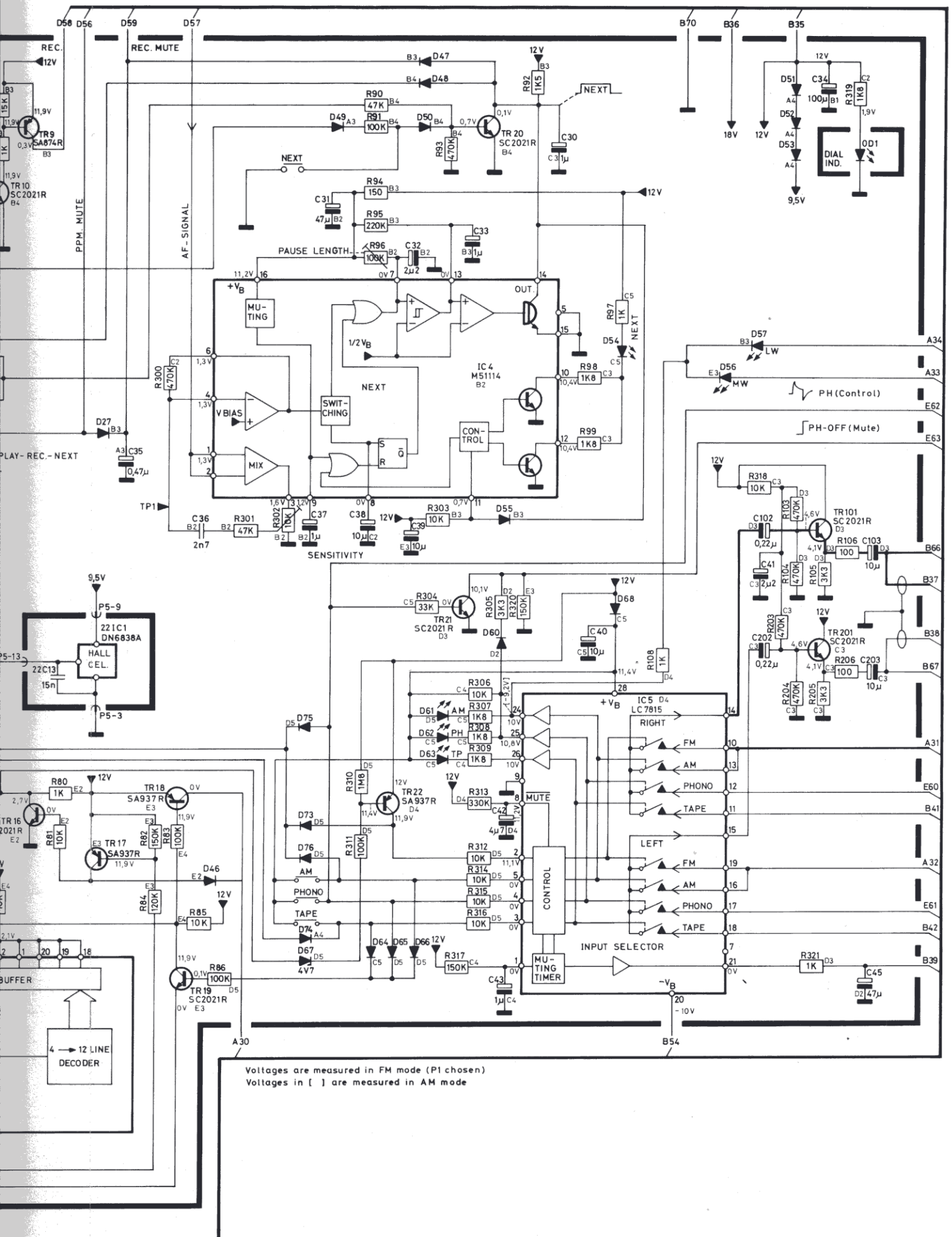
SURVEY OF MAINS VOLTAGE CONNECTIONS

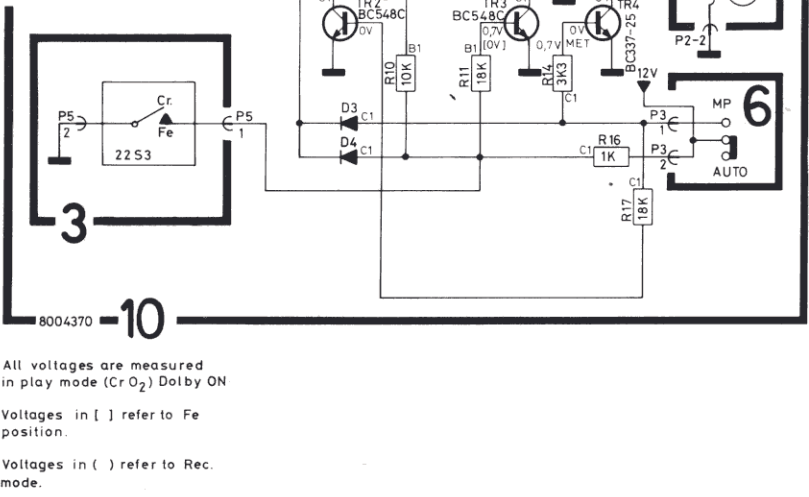
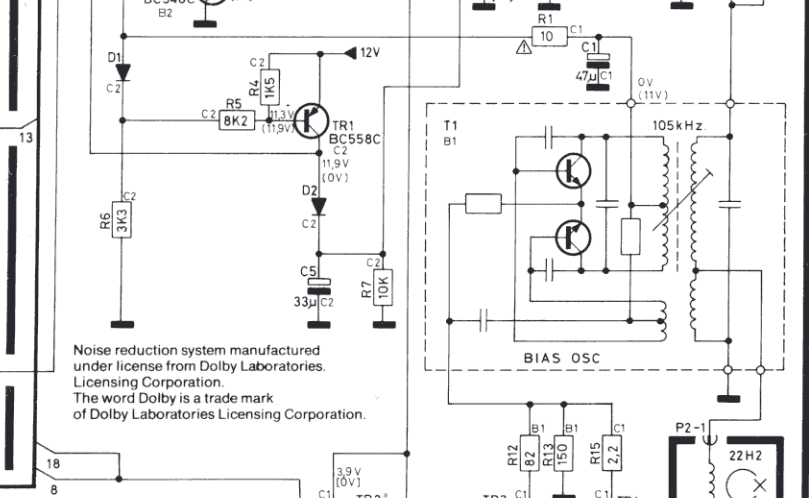
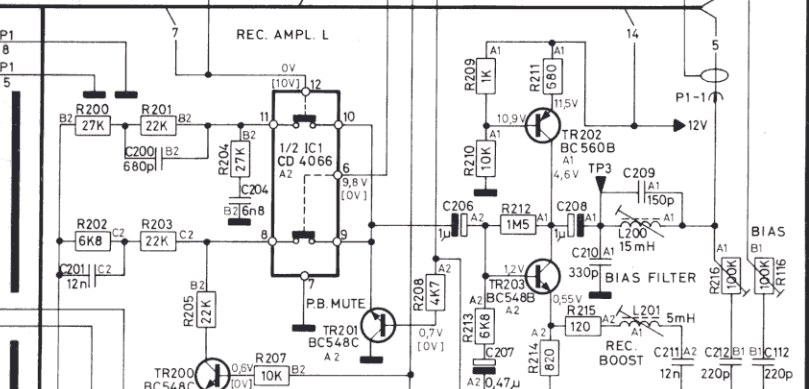
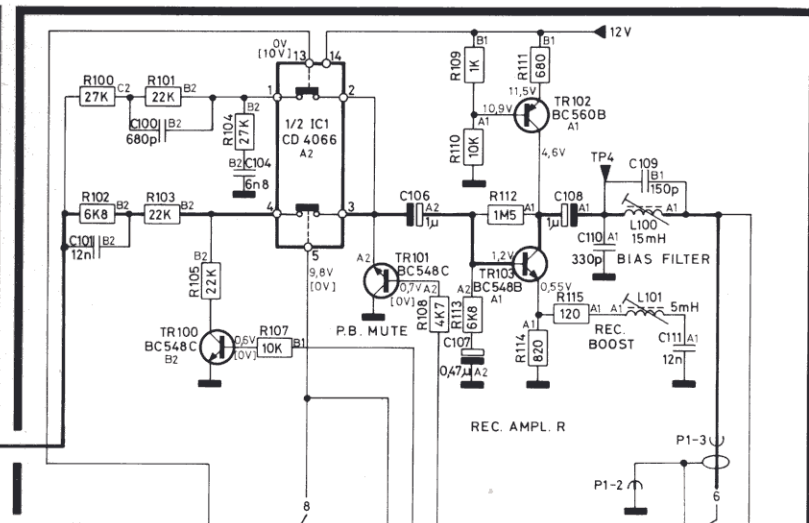
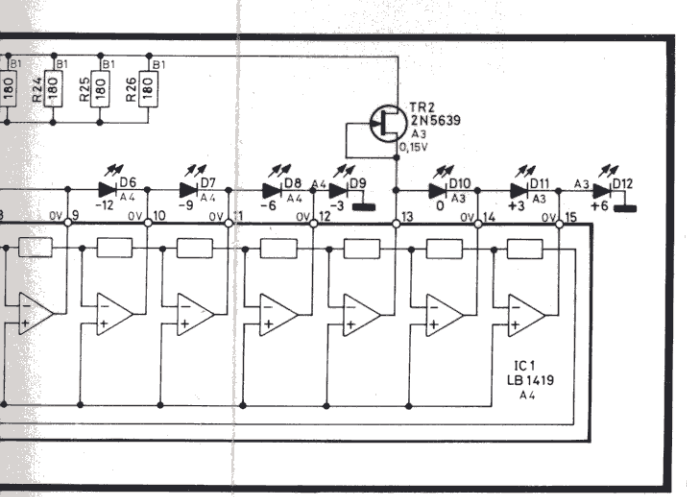
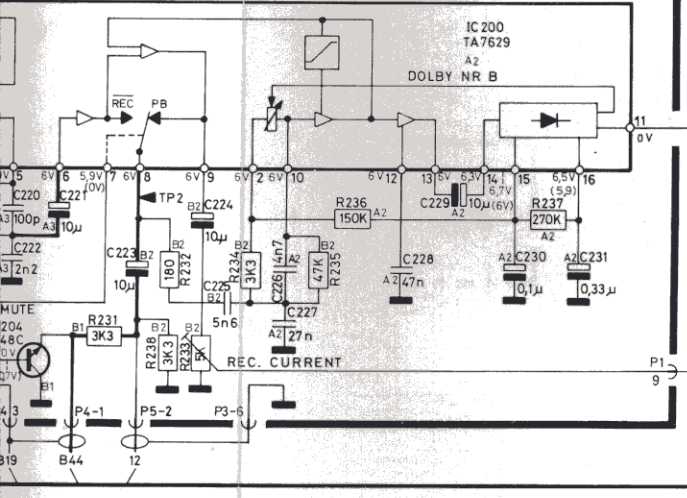
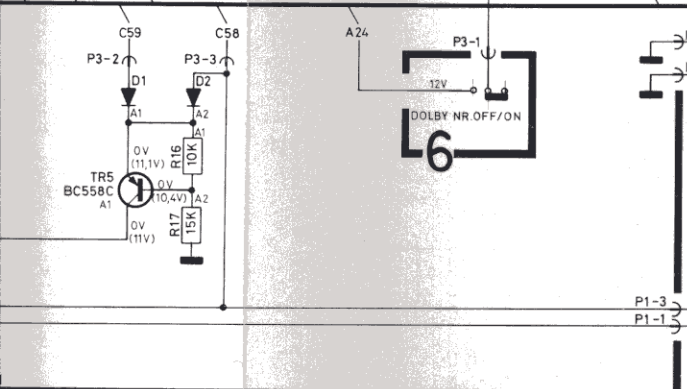
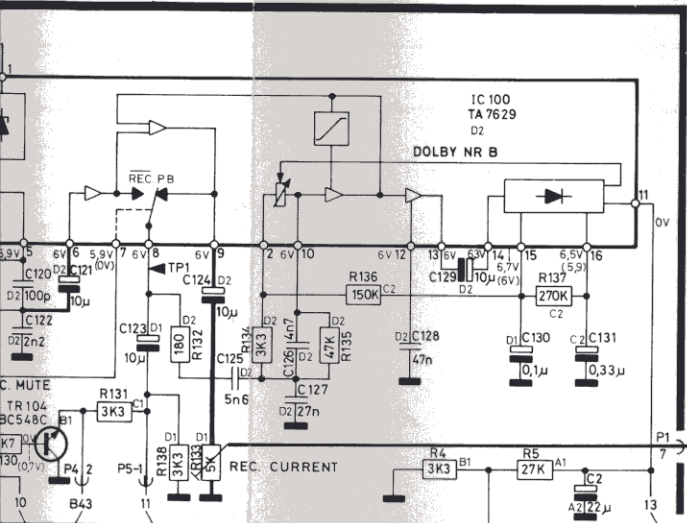


MAINS VOLTAGE CONNECTIONS AND FUSES ARE PLACED UNDER COVER AT RIGHT HAND SIDE (FROM BOTTOM)









Noise reduction system manufactured under license from Dolby Laboratories Licensing Corporation. The word Dolby is a trade mark of Dolby Laboratories Licensing Corporation.

8004370 -10

All voltages are measured in play mode (Cr O₂) Dolby ON

Voltages in [] refer to Fe position.

Voltages in () refer to Rec. mode.

